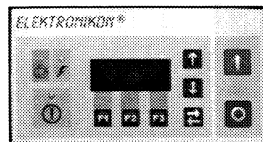


Parts list for compressors  
Onderdelenlijst voor compressoren  
Reservdelsförteckning för kompressorer  
Teilliste für Kompressoren  
Liste de pièces pour compresseurs

Lista de las partes para compresores  
Listino parti di ricambio per compressori

## GA5 - GA7 Pack GA5 - GA7 Full Feature GA5 - GA7 - GA10 Standard Pack

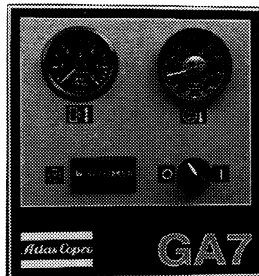


F1042

### Important

This book applies exclusively:

1. To GA5 - GA7 equipped with an electronic regulator as shown on the left above.
2. To GA5 - GA7 - GA10 with an electro-pneumatic regulator as shown on the left below.



F1040

From following serial number onwards:

Geldig vanaf volgend serienummer:

Fr.o.m. följande tillverkningsnummer:

Gültig ab Seriennummer:

Valable à partir du numéro de série suivant:

A partir del siguiente número de serie:

Dai seguenti numeri di serie in avanti:

All-108 119

Registration code  
Collection: APC G5-10  
Tab: 39  
Sequence: 0991

**"Copyright 1995, Atlas Copco Airpower n.v., Antwerp, Belgium.**

**Any unauthorized use or copying of the contents or any part of this book is prohibited.  
This applies in particular to trademarks, model denominations, part numbers and drawings."**

1995-03

**Atlas Copco**

Industrial Air Division  
B-2610 Wilrijk - Belgium



**No. 2930 1208 00**

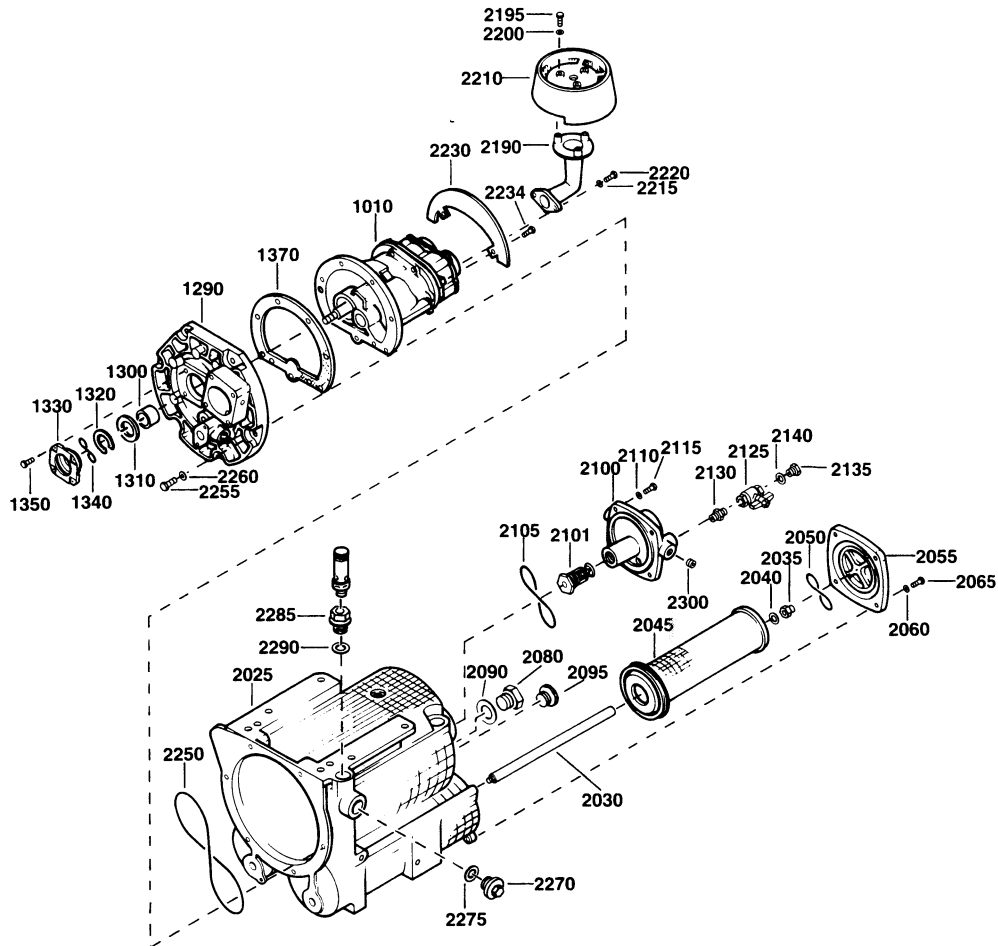
<https://apsair.ru>

Compressor mountings Kompressoropstelling Kompressorns uppställning Kompressormontage Montage du compresseur Montaje del compresor Supporti del compressore .....	1	Cubicle with starter D.O.L. GA5-7 Pack + FF Kast met starter D.O.L. Skåp med startutrustning D.O.L. Schaltschrank mit Anlasser D.O.L. Armoire avec démarreur D.O.L. Armario con arrancador D.O.L. Armadio elettrico con apparecchiatura di avviamento direttamente dalla linea .....	8
Drive arrangement Aandrijfuitvoering Drivarrangemang Antriebsanordnung Entraînement Accionamiento Azionamento .....	2	Cubicle with star-delta starter 50Hz + 60Hz Kast met ster-driehoek starter GA5-7-10 Standard Pack Skåp med stjärn-triangelstartare Schaltschrank mit Stern-Dreieck Anlasser Armoire avec démarreur étoile-triangle Armario con arrancador estrella-triángulo Armadio elettrico con apparecchiatura per l'avviamento stella/triangolo .....	9
Air and oil connections GA5-7 Pack + FF Lucht- en olieaansluitingen Luft- och oljeanslutningar Luft- und Ölanschlüsse Connexions d'air et d'huile Conexiones de aire y aceite Connessioni aria e olio .....	3	Cubicle with starter D.O.L. GA5-7-10 Standard Pack Kast met starter D.O.L. Skåp med startutrustning D.O.L. Schaltschrank mit Anlasser D.O.L. Armoire avec démarreur D.O.L. Armario con arrancador D.O.L. Armadio elettrico con apparecchiatura di avviamento direttamente dalla linea .....	10
Air and oil connections GA5-7-10 Standard Pack Lucht- en olieaansluitingen Luft- och oljeanslutningar Luft- und Ölanschlüsse Connexions d'air et d'huile Conexiones de aire y aceite Connessioni aria e olio .....	4	Bodywork GA5-7 Pack + FF Karosserie Karosseri Karosserie Capotage Carrocería Cappottatura .....	11
Valves Kleppen Ventiler Ventile Soupapes Válvulas Valvole .....	5	Bodywork GA5-7-10 Standard Pack Karosserie Karosseri Karosserie Capotage Carrocería Cappottatura .....	12
Air dryer ID18 Luchtdroger Lufttorkare Drucklufttrockner Sécheur d'air Secador de aire Essiccatore d'aria .....	6	Service kits Service kits Service kits Service Kits Service kits Service kits Kit per la manutenzione .....	13
Cubicle with star-delta starter 50Hz + 60Hz Kast met ster-driehoek starter GA5-7 Pack + FF Skåp med stjärn-triangelstartare Schaltschrank mit Stern-Dreieck Anlasser Armoire avec démarreur étoile-triangle Armario con arrancador estrella-triángulo Armadio elettrico con apparecchiatura per l'avviamento stella/triangolo .....	7		

Compressor mountings  
 Kompressoropstelling  
 Kompressorns uppställning  
 Kompressormontage  
 Montage du compresseur

Montaje del compresor  
 Supporti del compressore

# 1



21\_0004.1

Ref.	Part number	Qty	Name	Remarks	Ref.	Part number	Qty	Name	Remarks
1010	2989 0153 00	1	Service stage		2105	0663 7145 00	1	O-ring	
1290	1616 5271 00	• 1	Cover		2110	0301 2335 00	4	Washer	
1300	1616 5276 00	• 1	Bushing	K3	2115	0147 1326 03	4	Hexagon bolt	
1310	1616 5277 00	• 1	Lip seal	K3	2125	1503 2531 00	1	Ball valve g1/4	
1320	0335 2101 14	• 1	Circlip	K3	2130	1503 2564 11	1	Nipple 3/8-1/4	
1330	1616 5266 00	• 1	Seal retainer	K3	2135	0686 3716 01	1	Hexagon plug	
1340	0663 7135 00	• 1	O-ring	K3	2140	0653 0500 47	1	Gasket	
1350	0147 1245 03	• 4	Bolt		2190	1513 0415 00	1	Separator	
1370	1616 5268 00	• 1	Gasket	K2	2195	0147 1250 03	2	Hexagon bolt	
2025	1513 0470 00	1	Housing		2200	0301 2321 00	2	Washer	
2030	0248 9980 14	1	Threaded rod		2210	1513 0072 00	1	Cap	
2035	0277 1310 00	1	Cap nut		2215	0301 2318 00	3	Washer	
2040	0653 1033 00	1	Flat gasket	K1	2220	0147 1207 03	3	Hexagon bolt	
2045	1513 0058 00	1	Oil sep. element	K1	2230	1513 0109 00	1	Plate	
2050	0663 7149 00	1	O-ring	K1	2234	9125 7089 00	2	Cap screw	
2055	1513 0037 00	1	Cover		2250	0663 2103 20	1	O-ring	K2
2060	0301 2335 00	4	Washer		2255	0147 1364 03	6	Hexagon bolt	
2065	0147 1326 03	4	Hexagon bolt		2260	0301 2344 00	6	Washer	
2080	1513 0369 00	1	Plug		2270	0686 3716 07	1	Hexagon plug	
2090	0661 1049 00	1	Sealing washer	K1	2275	0653 9167 00	1	Gasket	
2095	1513 0164 00	1	Sight-glass		2285	0605 8700 62	1	Bushing	
2100	1513 0039 00	1	Cover		2290	0653 9167 00	1	Gasket	
2101	1513 0159 03	1	Thermost. valve		2300	0686 6130 00	2	Plug	



Drive arrangement  
Aandrijfuitvoering  
Drivarrangemang  
Antriebsanordnung  
Entraînement

Accionamiento  
Azionamento

2

Ref.	Part number	Qty	Name	Remarks	Ref.	Part number	Qty	Name	Remarks
1020	1513 0367 00	1	Bracket		2040		1	Spacer	
1025	0147 1362 03	2	Hexagon bolt			1513 0458 00			1)2)3)4)5)6) 7)8)9)10)
1030	0301 2344 00	2	Washer			1513 0457 00			11)12)13) 14)15)
1035	1513 0378 00	1	Support		2045		1	Motor duct assembly	
1040	0147 1961 50	1	Hex.bolt			1513 0466 80			1)2)3)4)5)6) 7)8)9)10)
1045	0266 2112 00	1	Nut			1513 0465 80			11)12)13) 14)15)
1050	0147 1364 03	4	Hexagon bolt		2046	1202 6584 00	•	AR Seal	
1055	0301 2344 00	4	Washer		2050	1513 0372 00		AR Hose	
1061	0300 0274 34	2	Spacer		3030		1	Motor	
1065	1619 2766 00	2	Bolt						<b>ABB M2AA 132 SA - 2 p. 5.5 kW</b>
1070	1513 0368 00	1	Support			1080 2867 11			230V/50Hz 1)2)3)
1075	0147 1362 03	2	Hexagon bolt			1080 2867 12			400V/50Hz 1)2)3)
1080	0301 2344 00	2	Washer			1080 2867 20			220-460V/60Hz 7)8)
1085	1513 0364 00	1	Hinge			1080 2867 19			575V/60Hz 7)8)
1090	0248 9979 55	1	Threaded rod						<b>ABB M2AA 132 SB - 2 p. 7.5 kW</b>
1095	0266 2112 00	3	Nut			1080 2868 11			230V/50Hz 4)5)6)
1100	0304 1062 00	1	Spherical washer			1080 2868 12			400V/50Hz 4)5)6)
1105	1513 0456 00	1	Bushing			1080 2868 20			220-460V/60Hz 9)10)
1110	0261 1090 51	1	Nut	K2		1080 2868 19			575V/60Hz 9)10)
2020		1	Pulley			1080 2868 17			200V/60Hz 9)
	1513 0423 02			1)2)3)6)13) 15)					<b>ABB M2AA 132 SC - 2 p. 11 kW</b>
	1513 0423 01			4)5)11)12)14)		1080 2883 01			230V/50Hz 11)12)13)
	1513 0423 04			7)8)		1080 2883 02			400V/50Hz 11)12)13)
	1513 0423 03			9)10)		1080 2883 10			220-460V/60Hz 14)15)
2025		1	Pulley			1080 2883 09			575V/60Hz 14)15)
	1513 0031 08			1)6)15)	1)				GA5-7.5 bar : Pack, Full Feature, Standard Pack
	1513 0031 09			2)7)	2)				GA5-10 bar : Pack, Full Feature, Standard Pack
	1513 0031 11			3)8)	3)				GA5-13 bar : Pack, Full Feature, Standard Pack
	1513 0031 15			4)13)14)	4)				GA7-7.5 bar : Pack, Full Feature, Standard Pack
	1513 0031 16			5)	5)				GA7-10 bar : Pack, Full Feature, Standard Pack
	1513 0031 17			11)	6)				GA7-13 bar : Pack, Full Feature, Standard Pack
	1513 0031 14			9)	7)				GA5-125 psi : Pack, Full Feature, Standard Pack
	1513 0031 13			10)	8)				GA5-175 psi : Pack, Full Feature, Standard Pack
	1513 0031 05			12)	9)				GA7-125 psi : Pack, Full Feature, Standard Pack
2030		1	V-belt						GA7-175 psi : Pack, Full Feature, Standard Pack
	1513 0289 16			1)6)7)15)	10)				GA10-7.5 bar : Standard Pack
	1513 0289 18			2)8)	11)				GA10-10 bar : Standard Pack
	1513 0289 19			3)	12)				GA10-13 bar : Standard Pack
	1513 0289 11			4)9)14)	13)				GA10-125 psi : Standard Pack
	1513 0289 17			5)10)13)	14)				GA10-175 psi : Standard Pack
	1513 0289 21			11)	15)				
	1513 0289 20			12)					
2035		1	Spring						
	1513 0455 00			1)2)7)8)					
	1513 0454 00			3)4)5)6)9)10)					
	1513 0459 00			11)12)13) 14)15)					



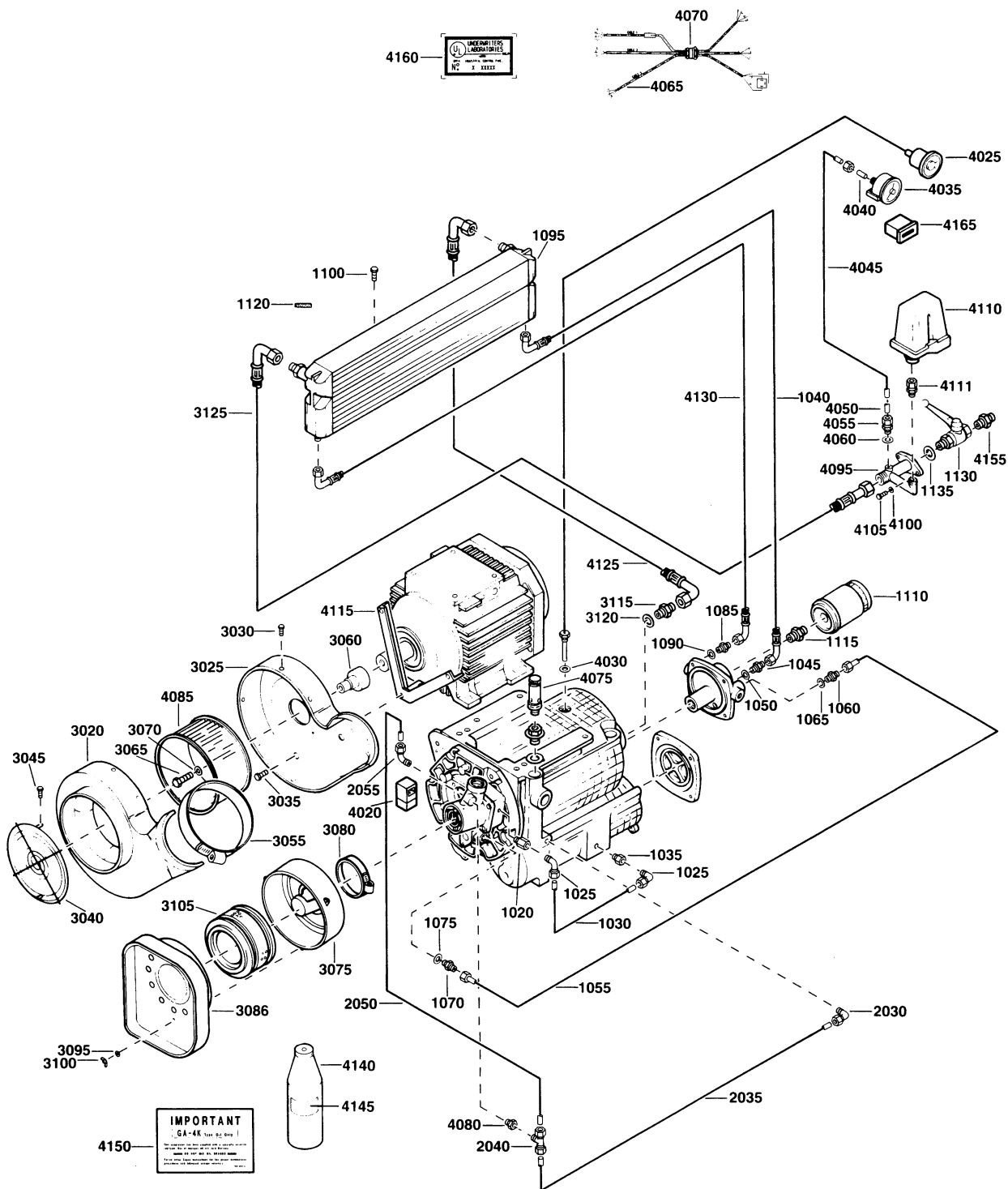
Air and oil connections  
Lucht- en olieaansluitingen  
Luft- och oljeanslutningar  
Luft- und Ölschlüsse  
Connexions d'air et d'huile

GA5-7 Pack + FF

Conexiones de aire y aceite  
Conessioni aria e olio

3

Ref.	Part number	Qty	Name	Remarks	Ref.	Part number	Qty	Name	Remarks
1020	1513 0330 00	1	Adapter		4035		1	Cable	
1025	0581 1200 32	2	Coupling		1513 0425 01			220-230V/50-60Hz	
1030	1513 0263 00	1	Pipe		1513 0425 00			115V/60Hz	2)
1035	1513 0219 00	1	Adaptor		4050	1613 6532 01	1	Oil can	
1040	0574 9914 08	1	Hose assembly		4055		1	Label	
1045	1079 5840 03	1	Nipple		1613 6535 00			220-230V/50-60Hz	
1050	0653 9078 00	1	Flat gasket		1613 6535 01			115V/60Hz	2)
1055		1	Pipe		4056	1310 3109 47	1	Label	2)
	0075 5551 18	•	AR Pipe		4060		1	Safety valve	
	1079 5711 02	•	2 Nut		0830 1007 41			8.5 bar	T
	1079 5712 08	•	2 Ball nipple		0830 1007 42			11 bar	T
1060	1079 5840 03	1	Nipple		0830 1007 43			12.5 bar	T
1065	0653 9078 00	1	Flat gasket		0830 1007 44			14.3 bar	T
1070	1079 5840 12	1	Nipple		4065		1	Nozzle	
1075	0653 9098 00	1	Flat gasket		1513 0219 01			7.5-10 bar, 125 psi	
1085	1079 5840 03	1	Nipple		1513 0219 00			13 bar, 175 psi	
1090	0653 9078 00	1	Flat gasket		4070		1	Fan	
1095	1513 0461 00	1	Combi cooler		1513 0376 00			50Hz	
1100	1619 2766 00	2	Bolt		1513 0428 00			60Hz	
1110	1513 0337 00	1	Oil filter	K1	4075	0603 4150 14	1	Bushing	1)2)
1115	1513 0161 00	1	Nipple		4076	1613 5330 01	1	Listing mark	2)
1120	1619 5188 00	AR	Seal		4080	1513 0371 00	1	Bracket	
1130	0852 0010 21	1	Ball valve		4090	0574 9911 09	1	Hose assembly	
1135	0661 1033 00	1	Sealing washer		4095	0574 9914 06	1	Hose assembly	
2030	0581 1200 16	1	Coupling (elbow)		5020	1513 0429 00	1	Water separator	3)
2035	0070 6002 04	AR	Plastic tube		0663 2100 39	•	1	O-ring	
2040	0581 2000 13	1	Coupling (tee)		5025	0147 1321 03	2	Hexagon bolt	
2050	0070 6002 04	AR	Plastic tube		5030	0301 2335 00	2	Washer	
2055	0581 1200 16	1	Coupling (elbow)		5035	0581 0000 35	1	Coupling	
3020	1513 0374 00	1	Fan cowl		5040	0661 1020 00	1	Sealing washer	
3025	1513 0375 00	1	Fan cowl		5045	0070 6002 05	AR	Plastic tube	
3030	0226 3256 00	8	Tapping screw		5050	0581 0000 55	1	Pipe coupling	
3035	1619 5898 01	3	Bolt		5055	0581 0000 34	1	Coupling	
3040	1513 0373 00	1	Fan guard		5060	0661 1020 00	1	Sealing washer	
3045	0226 3256 00	2	Tapping screw		5065	0070 6002 04	AR	Plastic tube	
3055	0347 6100 15	2	Hose clip		5070	0581 0000 33	1	Coupling	
3060	1513 0370 00	1	Adaptor		5075	0661 1014 00	1	Sealing washer	
3065	0147 1413 03	1	Hexagon bolt		5080	0581 0000 43	1	Coupling	
3070	0301 2358 00	1	Washer		5085	1619 7336 00	1	Cock	
3075	1513 0386 00	1	Housing		5090	0686 3716 01	1	Hexagon plug	
3080	0347 6114 00	1	Hose clip		5095	0661 1020 00	1	Sealing washer	
3086	1513 0460 00	1	Cover		5096	1089 0575 11	1	Pressure transducer	
3095	0301 2315 00	3	Washer		5135	0580 2014 05	1	Elbow coupling	
3100	0296 1119 06	3	Wing nut						
3105	1503 0190 00	1	Filter	K1					
3115	1079 5840 15	1	Nipple						
3120	0653 9098 00	1	Flat gasket						
3125	0574 9911 09	1	Hose assembly						
4020		1	Solenoid valve						
	1089 0428 23		220-230V/50Hz						
	1089 0428 24		220-230V/60Hz						
	1089 0428 25		115V/60Hz	C					
4025	1089 0574 01	1	Temp. sensor						
4030	1900 0700 04	1	Regulator						



**IMPORTANT**  
GA-4K Type 42 Series I  
DO NOT OIL THE MOTOR OR THE COMPRESSOR HEAD  
OILING OF THE MOTOR OR THE COMPRESSOR HEAD  
WILL VOID THE WARRANTY AND MAY BE DANGEROUS

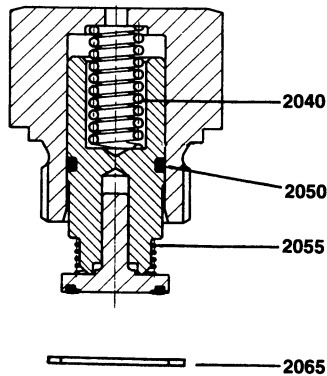
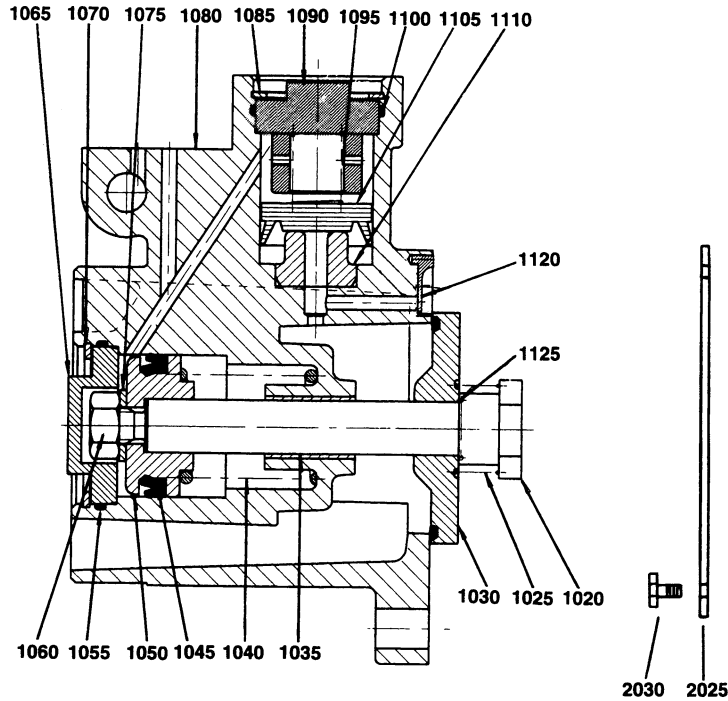




5

Valves  
Kleppen  
Ventiler  
Ventile  
Soupapes

Válvulas  
Valvole



22\_0009.1

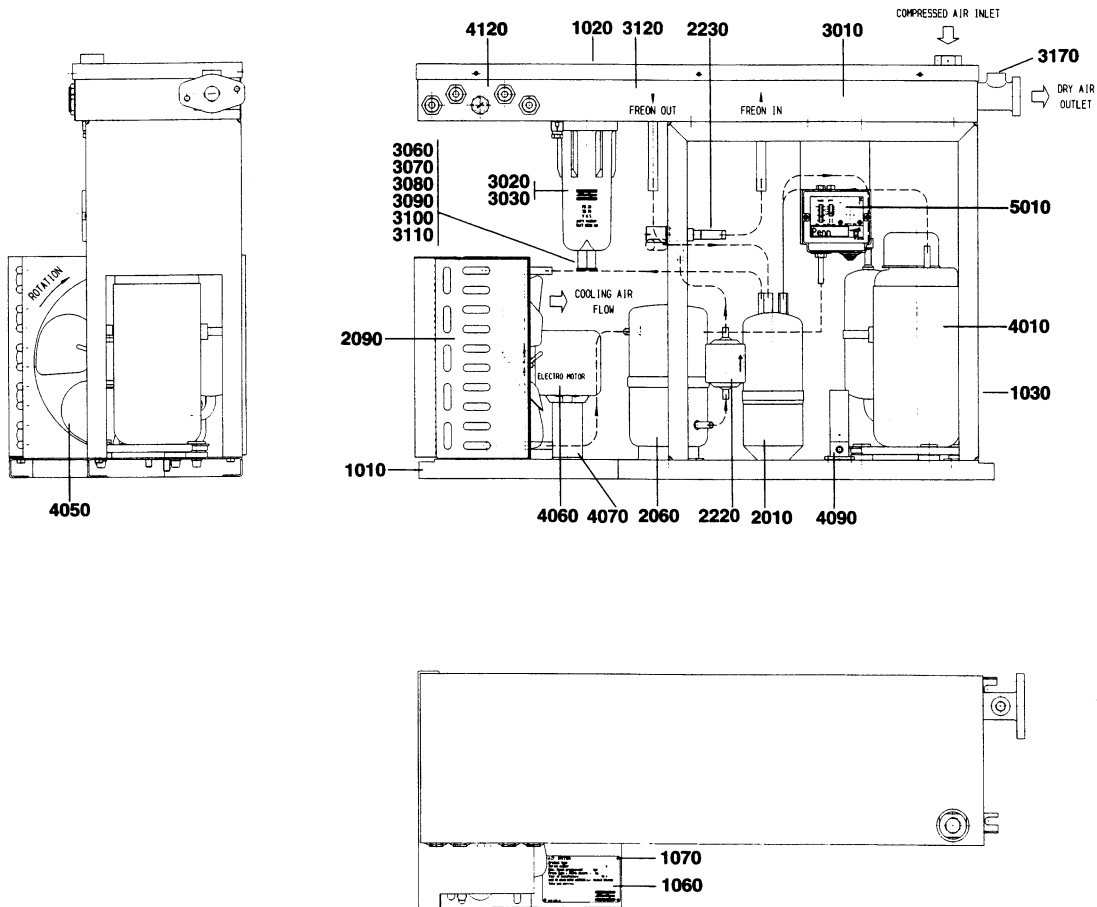
Ref.	Part number	Qty	Name	Remarks	Ref.	Part number	Qty	Name	Remarks
	<b>1513 0397 80</b>	<b>1</b>	<b>Unloading valve</b>		1085	0335 2130 00	• 1	Circlip	K5
1020	1513 0383 00	• 1	Piston rod		1090	1513 0380 00	• 1	Cover	
1025	1513 0015 00	• 1	Spring	K5	1095	1513 0011 00	• 1	Spring	K5
1030	1513 0398 00	• 1	Valve		1100	0663 6129 00	• 1	O-ring	K5
1035	2235 3012 00	• 1	Bush		1105	1513 0020 00	• 1	Valve	K5
1040	1513 0385 00	• 1	Spring		1110	1513 0381 00	• 1	Valve seat	
1045	1513 0019 00	• 1	Piston ring	K5	1120	1513 0434 00	• 1	Valve	K5
1050	1513 0384 00	• 1	Piston		1125	0663 2105 13	• 1	O-ring	K5
1055	0663 7132 00	• 1	O-ring	K5	2025	1513 0028 00	1	Gasket	K2,K5
1060	0266 1110 02	• 1	Nut		2030	0211 1325 03	4	Cap screw	
1065	1513 0382 00	• 1	Cover		2040	1513 0063 00	1	Spring	
1070	0335 2136 00	• 1	Circlip	K5	2050	0663 2105 40	1	O-ring	
1075	0301 2135 01	• 1	Washer		2055	1513 0064 00	1	Spring	
1080	1513 0397 00	• 1	Housing		2065	0653 9167 00	1	Gasket	

Air dryer  
Luchtdroger  
Lufttrockner  
Drucklufttrockner  
Sécheur d'air

ID18

Secador de aire  
Essiccatore d'aria

6



45\_0003.1

Ref.	Part number	Qty	Name	Remarks	Ref.	Part number	Qty	Name	Remarks
		1	<b>Air dryer</b>		3090	0653 1062 00	• 1	Flat gasket	
	<b>8092 2414 73</b>		<b>50Hz</b>		3100	0070 6002 05	•	AR Hose	
	<b>8092 2414 81</b>		<b>50Hz</b>	T	3110	0070 6002 04	•	AR Tube	
	<b>8092 2414 99</b>		<b>60Hz</b>		3120	1089 0574 03	• 1	Temperature sensor	
	<b>8092 2415 07</b>		<b>60Hz</b>	C	3170	1089 0575 11	• 1	Pressure sensor	
1010	1617 0572 00	• 1	Frame		4010	1617 0579 00	• 1	Refrigerant compressor	
1020	1617 0681 00	• 1	Box heat exchanger			1617 0625 00		50Hz	
1030	1617 0682 00	• 2	Support			1617 0625 00		60Hz	
1060	1617 0745 00	• 1	Data plate		4050	1202 7992 07	• 1	Fan	
1070	0129 3104 00	• 2	Blind rivet		4060		• 1	Fan motor	
2010	1617 0031 00	• 1	Liquid separator			1080 3034 01			
2060	1617 0109 00	• 1	Liquid receiver			1080 3034 02			C,U
2090	1617 0580 00	• 1	Condenser		4070		• 1	Bracket	
2220	1619 5566 01	• 1	Freon dryer			1202 7994 02			
2230	1619 6768 12	• 1	Expansion valve			1202 7994 06			(C,U)
3010	1617 0675 00	• 1	Heat exchanger		4090	1089 9214 25	• 1	Fan switch	
3020	1617 0536 00	• 1	Water separator		4120		• 1	<b>Cubicle assy</b>	
	0663 2100 39	•• 1	O-ring			1617 0592 80			(T)
3030	0663 9191 00	• 2	O-ring			1617 0626 80			(C,U)
3060	0661 1020 00	• 1	Sealing washer			1617 0662 80			(T)
3070	0582 0008 00	• 1	Coupling		5010	1617 0060 00	• 1	Pressostat	(T)
3080	0581 0000 34	• 1	Drain connection						

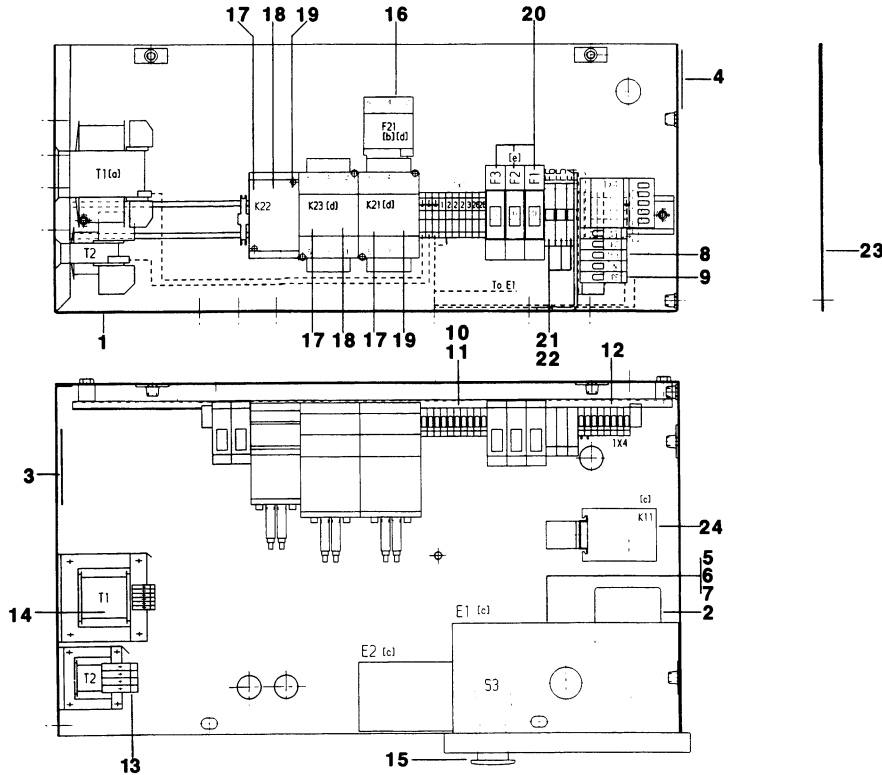


7

Cubicle with star-delta starter  
 Kast met ster-driehoek starter  
 Skåp med stjärn-triangelstartare  
 Schaltschrank mit Stern-Dreieck Anlasser  
 Armoire avec démarreur étoile-triangle

50Hz + 60Hz  
 GA5-7 Pack + FF

Armario con arrancador estrella-triángulo  
 Armadio elettrico con apparecchiatura per  
 l'avviamento stella/triangolo



29\_0028.2

Ref.	Part number	Qty	Name	Remarks	Ref.	Part number	Qty	Name	Remarks
-	1900 2003 05	1	<b>Cubicle</b> GA5-230V/50Hz, GA7-230V/50Hz, GA5-230V/60Hz, GA7-230V/60Hz		15	1089 0362 16	• 1	Push button	S3
	1900 2003 06		GA5-400V/50Hz, GA5-460V/60Hz, GA7-460V/60Hz		16	1089 9169 33	• 1	Overload relay	F21
	1900 2003 07					1089 9169 11			1)
						1089 9169 10			2)
						1089 9169 10			3)
					17	1089 9319 51	• 3	Contactor	K21-K22-K23
						1089 9319 86			1)
						1089 9319 02	• 3	Contact block	K22-K23
						1089 9319 01	• 3	Contact block	K21-K22
						1089 9203 02	• 3	Circuit breaker	F1-F2-F3
						1619 3332 00	• 3	Fuse holder + link	1)2) 3)
					21	1089 0506 16	• 3	Fuse terminal	F4-F5-F6
					22	1089 9037 09	• 3	Fuse	F4-F5-F6
					23	1513 0427 00	1	Cover	
					24	1089 9319 87	1	Contactor	K11-4)
1	1513 0426 02	• 1	Box		1)	GA5-230V/50Hz, GA7-230V/50Hz, GA5-230V/60Hz, GA7-230V/60Hz			
2	1613 6639 00	• 1	Data plate		2)	GA7-400V/50Hz			
3	1079 9905 11	• 1	Label		3)	GA5-400V/50Hz, GA5-460V/50Hz, GA7-460V/60Hz			
4	9820 2109 07	• 1	Service diagram		4)	Only for units with dryer / Enkel voor groepen met droger / Endast för aggregat med torkare / Nur für Maschinen mit Trockner / Pour groupes avec sécheur / Unicamente para unidades con secador / Solo per unità dotate di essiccatore			
5	1088 0014 04	• 1	Connector	4 poles					
6	1088 0014 10	• 1	Connector	10 poles					
7	1088 0014 15	• 1	Connector	15 poles					
8	1089 0506 06	• 2	Terminal	1)					
	1089 0506 60			2)3)					
9	1089 0506 07	• 1	Terminal	1)					
	1089 0506 61			2)3)					
10	1089 0506 52	• 2	Terminal switch						
11	1089 0506 62	• 2	Terminal	2.5					
12	1089 0506 63	• 5	Terminal	2.5-3P					
13	1089 9135 01	• 1	Transformer	T2					
14	1089 9136 17	• 1	Transformer	T1					

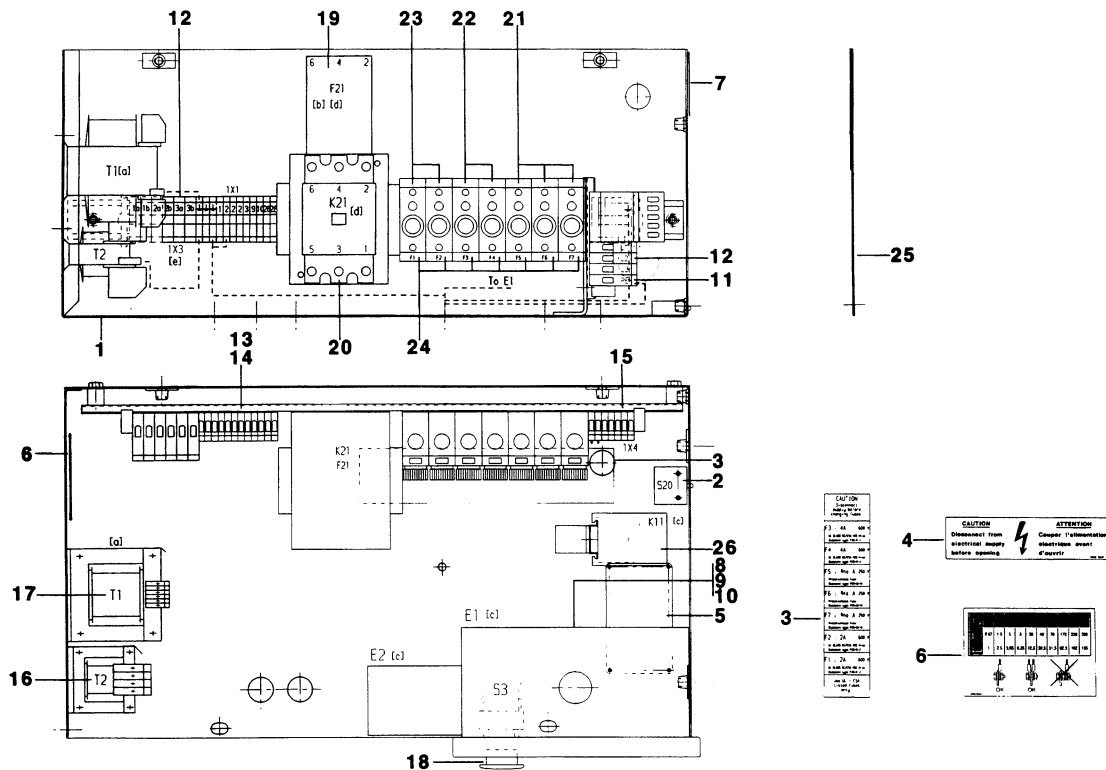


Cubicle with starter D.O.L.  
 Kast met starter D.O.L.  
 Skåp med startutrustning D.O.L.  
 Schaltschrank mit Anlasser D.O.L.  
 Armoire avec démarreur D.O.L.

GA5-7 Pack + FF

Armario con arrancador D.O.L.  
 Armadio elettrico con apparecchiatura di avviamento direttamente dalla linea

8



29\_0029.2

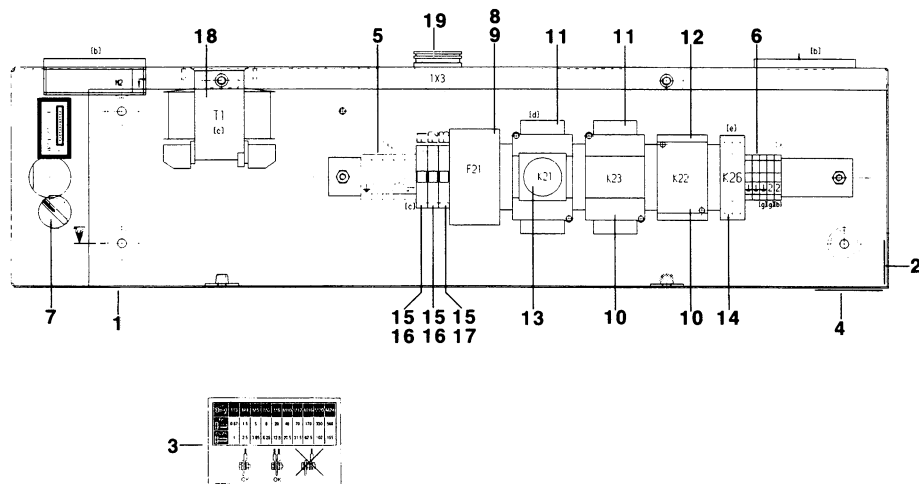
Ref.	Part number	Qty	Name	Remarks	Ref.	Part number	Qty	Name	Remarks
-	1900 2003 15	1	Cubicle GA5-460V/60Hz, GA5-575V/60Hz, GA7-575V/60Hz		16	1089 9135 03	• 1	Transformer	T2
	1900 2003 16		GA5-230V/60Hz, GA7-460V/60Hz		17	1089 9136 52	• 1	Transformer	T1
	1900 2003 17		GA7-230V/60Hz		18	1089 0362 16	• 1	Push button	S3
	1900 2003 18		GA7-200V/60Hz		19		• 1	Overload relay	F21
1	1513 0426 03	• 1	Box			1089 9169 34			1)
2	1089 0304 04	• 1	Limit switch	S20		1089 9169 62			2)
3	1079 9917 59	• 1	Label			1089 9169 63			3)
4	1613 3431 00	• 1	Label			1089 9221 45			4)
5	1613 3046 00	• 1	Data plate		20		• 1	Contacteur	K21
6	1079 9905 11	• 1	Label			1089 9319 37			1)
7	9820 2109 08	• 1	Service diagram			1089 9319 39			2)
8	1088 0014 04	• 1	Connector	4 poles		1089 9319 40			3)
9	1088 0014 10	• 1	Connector	10 poles		1089 9221 45			4)
10	1088 0014 15	• 1	Connector	15 poles	21	1089 9168 09	• 3	Fuse 0.8A	F5-F6-F7
11		• 1	Terminal		22	1089 9168 55	• 2	Fuse 6A	F3-F4
	1089 0506 32			1)3)4)	23	1089 9168 24	• 2	Fuse 2A	F1-F2
	1089 0506 28			2)	24	1089 9049 04	• 7	Fuse terminal	F1->F7
12		•	Terminal		25	1513 0427 00	1	Cover	
	1089 0506 07	1		1)4)	26	1089 9319 92	1	Contacteur	K11-5)
	1089 0506 07	3		3)					1) GA5-460V/60Hz, GA5-575V/60Hz, GA7-575V/60Hz
	1089 0506 61	3		2)					2) GA5-230V/60Hz, GA7-460V/60Hz
13	1089 0506 52	• 2	Terminal switch						3) GA7-230V/60Hz
14	1089 0506 62	• 2	Terminal	2.5					4) GA7-200V/60Hz
15	1089 0506 63	• 5	Terminal	2.5-3P					5) Only for units with dryer / Enkel voor groepen met droger / Endast för aggregat med torkare / Nur für Maschinen mit Trockner / Pour groupes avec sécheur / Unicamente para unidades con secador / Solo per unità dotate di essiccatore

9

Cubicle with star-delta starter  
 Kast met ster-driehoek starter  
 Skåp med stjärn-triangelstartare  
 Schaltschrank mit Stern-Dreieck Anlasser  
 Armoire avec démarreur étoile-triangle

50Hz + 60Hz  
 GA5-7-10 Standard Pack

Armario con arrancador estrella-triángulo  
 Armadio elettrico con apparecchiatura per  
 l'avviamento stella/triangolo



29\_0044.0

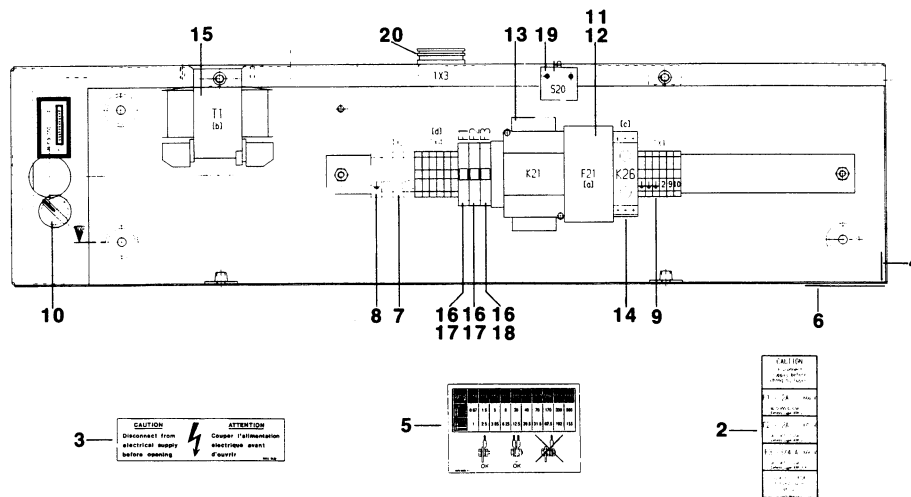
Ref.	Part number	Qty	Name	Remarks	Ref.	Part number	Qty	Name	Remarks
-		1	<b>Cubicle</b>		11		3	Contactor	K21-K22-K23 1)2)3)4)
	1900 2003 21		GA5-460V/60Hz			1089 9164 76	2	Contactor	K21-K23
	1900 2003 22		GA5-400V/50Hz			1089 9164 78	2	Contactor	5)6)7)
	1900 2003 23		GA7-460V/60Hz			1089 9164 80	2	Contactor	K21-K23
	1900 2003 24		GA7-400V/50Hz				1	Contactor	8)9)
	1900 2003 25		GA10-460V/60Hz		12		1	Contactor	K22
	1900 2003 26		GA5-230V/50Hz, GA5-230V/60Hz			1089 9164 76	1	Contactor	5)6)7)8)9)
	1900 2003 27		GA10-400V/50Hz		13	1089 0398 09	1	Time relay	K21
	1900 2003 29		GA7-230V/50Hz, GA7-230V/60Hz		14	1089 9369 01	1	Time relay	K26
	1900 2003 30		GA10-230V/50Hz, GA10-230V/60Hz		15			Fuse holder	
1	1513 0451 00	1	Mounting plate			1089 9368 51	3	F1-F2-F3	1)3)5)
2	1613 6639 01	1	Data plate			1089 9368 51	1	F1	2)4)7)
3	1079 9905 11	1	Label			1089 9368 51	2	F1-F2	6)8)9)
4	9820 2109 05	1	Service diagram		16			Fuse	
5			Terminal			1089 9368 02	2	F1-F2	1)3)5)6)8)9)
	1089 9367 02	4		1)3)5)6)		1089 9368 02	1	F1	2)4)7)
	1089 9367 02	5		2)4)7)	17			Fuse	
	1089 9367 03	4		8)9)		1089 9368 01	1	F3	1)3)5)
6			Terminal		18		1	Transformer	T1
	1089 9367 01	4		1)3)5)		1089 9136 52			1)3)5)
	1089 9367 01	2		2)4)6)7)8)9)	19	1513 0467 02	1	Cable	
7	1089 0263 10	1	Start-stop switch	S1	1)	GA5-460V/60Hz			
8	1089 0390 51	1	Connector	F21	2)	GA5-400V/50Hz			
9		1	Overload relay	F21	3)	GA7-460V/60Hz			
	1089 0390 40			1)2)	4)	GA7-400V/50Hz			
	1089 0390 41			3)4)	5)	GA10-460V/60Hz			
	1089 0390 42			5)6)7)	6)	GA5-230V/50Hz, GA5-230V/60Hz			
	1089 0390 43			8)	7)	GA10-400V/50Hz			
	1089 0390 44			9)	8)	GA7-230V/50Hz, GA7-230V/60Hz			
10	1089 9164 58	2	Aux. contact	K22-K23	9)	GA10-230V/50Hz, GA10-230V/60Hz			

Cubicle with starter D.O.L.  
Kast met starter D.O.L.  
Skáp med startutrustning D.O.L.  
Schaltschrank mit Anlasser D.O.L.  
Armoire avec démarreur D.O.L.

GA5-7-10 Standard Pack

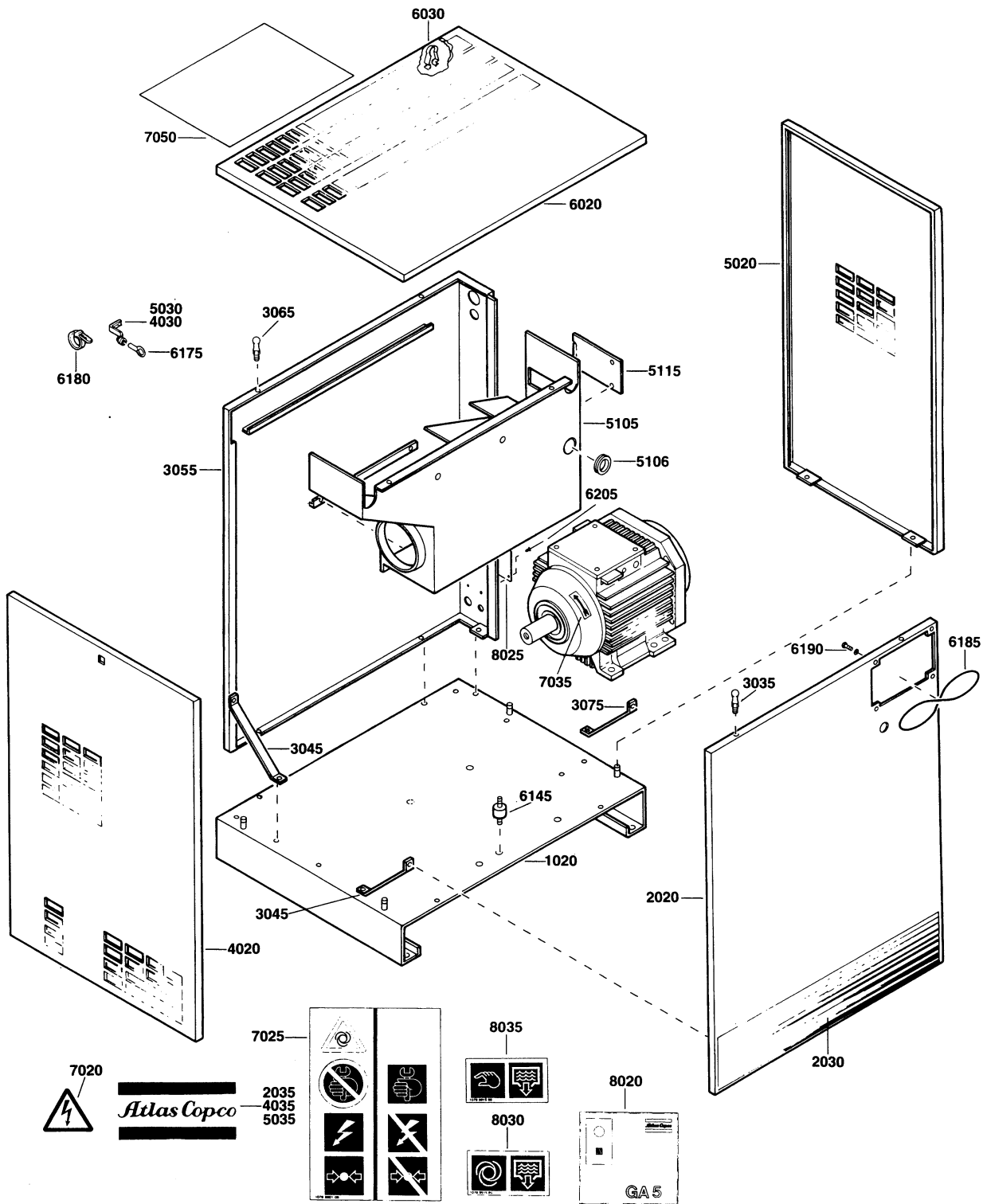
Armario con arrancador D.O.L.  
Armadio elettrico con apparecchiatura di avviamento  
direttamente dalla linea

10



29\_0045.0

Ref.	Part number	Qty	Name	Remarks	Ref.	Part number	Qty	Name	Remarks
-		1	<b>Cubicle</b>		12		1	Overload relay	F21
	1900 2003 31		GA5-575V/60Hz			1089 0390 41			1)
	1900 2003 32		GA5-460V/60Hz,			1089 0390 42			2)
			GA7-575V/60Hz			1089 0390 43			3)
	1900 2003 33		GA7-460V/60Hz			1089 0390 44			4)5)
	1900 2003 34		GA10-460V/60Hz,			1089 0390 46			6)
			GA10-575V/60Hz			1089 0390 49			7)
	1900 2003 35		GA5-230V/60Hz		13		1	Contactor	K21
	1900 2003 37		GA7-230V/60Hz			1089 9164 35			1)
	1900 2003 38		GA10-230V/60Hz			1089 9164 36			2)
1	1513 0451 10	• 1	Mounting plate			1089 9164 37			3)
2	1079 9916 79	• 1	Label			1089 9164 38			4)5)
3	1613 3431 00	• 1	Label			1089 9164 39			6)
4	1613 3046 00	• 1	Data plate			1089 9164 40			7)
5	1079 9905 11	• 1	Label		14	1089 9369 01	• 1	Time relay	K26
6	9820 2109 06	• 1	Service diagram		15		• 1	Transformer	T1
7		•	Terminal			1089 9136 52			1)2)3)4)
	1089 9367 02	3		1)2)	16		•	Fuse holder	
	1089 9367 03	3		3)		1089 9380 01	3	F1-F2-F3	1)2)3)4)
	1089 9367 04	3		4)		1089 9380 00	2	F1-F2	5)
	1089 9367 04	9		5)6)		1089 9380 01	2	F1-F2	6)7)
	1089 9367 05	9		7)	17	1089 9379 02	• 2	Fuse	F1-F2
8		• 1	Terminal		18		• 1	Fuse	F3
	1089 9367 11			1)2)		1089 9379 01			1)2)3)4)
	1089 9367 12			3)	19	1089 0304 04	• 1	Limit switch	S20
	1089 9367 13			4)5)6)	20	1513 0467 03	• 1	Cable	
	1089 9367 14			7)					
9	1089 9367 01	• 6	Terminal		1)				GA5-575V/60Hz
10	1089 0263 10	• 1	Start-stop switch	S1	2)				GA5-460V/60Hz, GA7-575V/60Hz
11		• 1	Connector	F21	3)				GA7-460V/60Hz
	1089 0390 51			1)2)3)4)5)	4)				GA10-460V/60Hz, GA10-575V/60Hz
	1089 0390 52			6)	5)				GA5-230V/60Hz
	1089 0390 53			7)	6)				GA7-230V/60Hz
					7)				GA10-230V/60Hz



Bodywork  
Karosserie  
Karosseri  
Karosserie  
Capotage

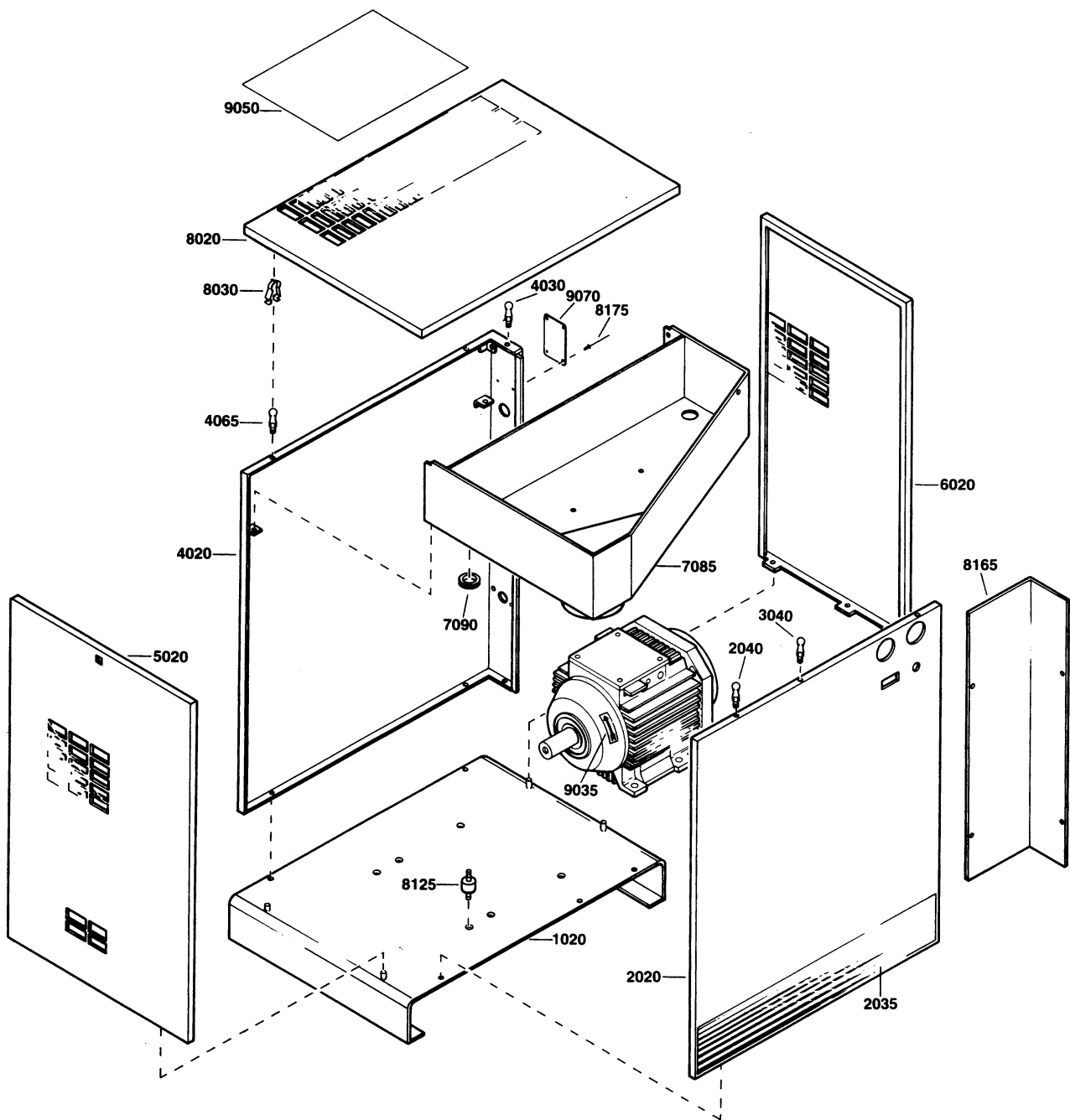
GA5-7 Pack - FF

Carrocería  
Cappottatura

11

Ref.	Part number	Qty	Name	Remarks	Ref.	Part number	Qty	Name	Remarks
1020	1513 0391 00	1	Frame		7025	1079 9901 09	1	Label	
	<b>1513 0471 80</b>	<b>1</b>	<b>Panel assembly</b>	<b>1)</b>	7035	1503 0786 00	1	Rotation arrow	
2020		• 1	Panel		7050	1079 9905 09	1	Label	
2030	2235 2545 03	• 1	Decal		8020		1	Decal	
2035	0690 1116 01	• 1	House mark			1613 6895 07		GA5	
3035	1079 2903 02	2	Panel pin			1613 6895 08		GA7	
3045	1513 0389 00	2	Bracket		8025		1	Data plate	
<b>3055</b>	<b>1513 0396 80</b>	<b>1</b>	<b>Panel assembly</b>	<b>1)</b>		1613 7394 00		50Hz	CE
3065	1079 2903 02	3	Panel pin			1614 5933 00		60Hz	
3075	1513 0389 00	1	Bracket		8030	1079 9915 89	1	Label	
	<b>1513 0393 80</b>	<b>1</b>	<b>Panel assembly</b>	<b>1)2)</b>	8035	1079 9915 98	1	Label	
4020		• 1	Panel				AR	Bolt	
4030	1513 0431 00	• 1	Door lock			1619 2766 00		M8 x 20	
4035	0690 1116 01	• 1	House mark				AR	Washer	
	<b>1513 0395 80</b>	<b>1</b>	<b>Panel assembly</b>	<b>1)2)</b>		0301 2318 00		Ø5.3 x 10 x 1	
5020		• 1	Panel			0301 2335 00		Ø8.4 x 16 x 1.6	
5030	1513 0431 00	• 1	Door lock				AR	Nut	
5035	0690 1116 01	• 1	House mark			0266 2107 00		M5	
<b>5105</b>	<b>1513 0390 80</b>	<b>1</b>	<b>Air duct assembly</b>	<b>1)</b>		0266 2108 00		M6	
5106	1088 0801 42	1	Grommet			0266 2110 00		M10	
5115	1513 0416 00	1	Cover						
	<b>1513 0392 80</b>	<b>1</b>	<b>Roof assembly</b>	<b>1)</b>					
6020		• 1	Panel						
6030	1079 2903 01	• 5	Panel clip						
6145	1513 0420 00	4	Antivibr.pad						
6175	1089 9068 01	2	Key						
6180	1088 1301 03	1	Cable strip						
6185	1503 2467 00	AR	Seal cord						
6190	0211 1205 00	4	Cap screw						
6205	0129 3103 00	4	Blind rivet						
7020	1088 1001 02	2	Warning mark						

- 1) To be lined with foam plastic / Te bekleiden met schuimrubber / Skall kläs med skumplast / Auskleiden mit Schaumgummi / A garnir avec du caoutchouc mousse / Revestir de goma espuma / Da rivestira con plastica espansa  
1079 0003 31 (AR)
- 2) Not for open units USA / Niet voor open groepen USA / Inte för öppna aggregat USA / Nicht für offene Maschinen USA / Non pour groupes ouverts USA / No para grupos abiertos EE.UU. / No per unità di costruzione aperta USA





Service kits  
 Service kits  
 Service kits  
 Service Kits  
 Service kits

Service kits  
 Kit per la manutenzione

48\_0004.1

Ref.	Part number	Qty	Name	Remarks	Ref.	Part number	Qty	Name	Remarks
K1	<b>2901 0099 02</b>	1	<b>Filter kit</b>		K5	<b>2901 0298 00</b>	1	<b>Unloading valve kit</b>	
	0653 1033 00	• 1	Flat gasket			0335 2130 00	• 1	Circlip	
	0661 1049 00	• 1	Sealing washer			0335 2136 00	• 1	Circlip	
	0663 7149 00	• 1	O-ring			0663 2105 13	• 1	O-ring	
	1503 0190 00	• 1	Filter			0663 6129 00	• 1	O-ring	
	1513 0058 00	• 1	Oil sep. element			0663 7132 00	• 1	O-ring	
1513 0337 00	• 2	Oil filter		1513 0011 00		• 1	Spring		
K2	<b>2901 0109 00</b>	1	<b>Element mounting kit</b>			1513 0015 00	• 1	Spring	
	0261 1090 51	• 1	Nut			1513 0019 00	• 1	Piston ring	
	0291 1128 11	• 1	Locknut			1513 0020 00	• 1	Valve	
	0663 2103 20	• 1	O-ring			1513 0028 00	• 1	Gasket	
	1513 0028 00	• 1	Gasket			1513 0028 01	• 1	Gasket	
	1513 0028 01	• 1	Gasket			1513 0301 00	• 1	Valve	
	1616 5268 00	• 1	Gasket			1513 0434 00	• 1	Valve	
K3	<b>2901 0297 00</b>	1	<b>Shaft seal kit</b>		K	<b>2901 0001 01</b>	1	<b>Oil can</b>	
	0335 2101 14	• 1	Circlip		ROTO-INJECTFLUID		25 l Oil		
	0663 7135 00	• 1	O-ring		K	<b>2901 0086 01</b>	1	<b>Oil can</b>	
	1616 5266 00	• 1	Seal retainer		ROTO-INJECTFLUID		15 l Oil		
	1616 5276 00	• 1	Bushing		K	<b>2901 0245 01</b>	1	<b>Oil can</b>	
1616 5277 00	• 1	Lip seal		ROTO-INJECTFLUID		5 l Oil			
K4	<b>2901 0089 00</b>	1	<b>Drain kit</b>						
	0663 2100 39	• 1	O-ring						
	0663 3133 00	• 3	O-ring						
		• 1	Drain float assembly						



+7(916) 033-41-41



apsair@apsair.ru

apsair.ru