

# **Atlas Copco** Stationary Air Compressors

GA 5, GA 7, GA 11

With Elektronikon® I+ or Elektronikon® II regulator

## **Parts list**

From following serial No. onwards :  
API - 100 000

**No. 2930 7011 01**

Replaces No. 2930 7011 00

2007 - 01



<https://apsair.ru>

**Atlas Copco**

Contents  
Inhoud  
Innehåll  
Inhaltsverzeichnis  
Table des matières  
Indice

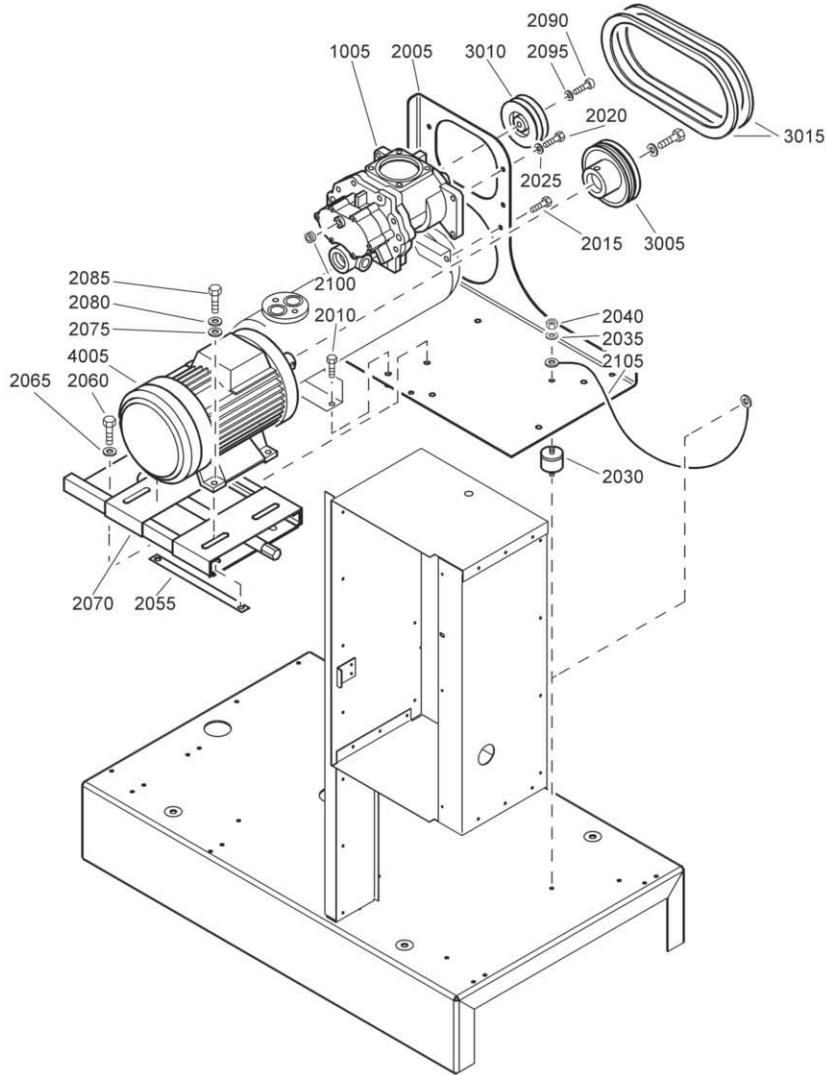
Indice  
Innehållsförteckning  
Indice  
Innehållsförteckning  
Sisällysluettelo

Drive arrangement Aandrijfuitvoering Drivarrangemang Antriebsanordnung Dispositif d'entraînement Disposición de accionamiento Disposizione di azionamento Arrangement Disposição de accionamento Drivarrangement Rakenne .....	1	Sistema de refrigeración Sistema di raffreddamento Kølesystem Sistema de arrefecimento Kjølesystem Jäähdytysjärjestelmä .....	9
Air flow Luchtstroming Luftflöde Luftstrom Flux d'air Flujo de aire Flusso d'aria Luftflow Fluxo de ar Luftstrøm Ilman virtaus		Air dryer Luchtdroger Lufttorkare Lufttrockner Sécheur d'air Secador de aire Essiccatore d'aria Lufttørrer Secador de ar Lufttørker Kuivain	
- Common .....	2	- GA 5, GA 7 .....	10
- Air outlet - WorkPlace - Floor mounted .....	3	- GA 11 .....	11
- Air outlet - WorkPlace Full feature - Floor mounted ..	4	By-pass Omloopleiding Förbildningskanal Umgehungsleitung Tuyaux de by-pass Tubería de derivación	
- Air outlet - WorkPlace - Tank mounted .....	5	By-pass By-pass Tubagem de derivação Omløpsrør Ohitus	
- Air outlet - WorkPlace Full feature - Tank mounted ...	6	- WorkPlace Full-feature - Floor mounted .....	12
Oil system Oliesysteem Oljesystem Ölsystem Système d'huile Sistema de aceite Sistema dell'olio Oliesystem Sistema de óleo Oljesystem Voitelujärjestelmä .....	7	- WorkPlace Full-feature - Tank mounted .....	13
Unloading valve Ontlastventiel Avlastningsventil Entlastungsventil Soupape de décharge Válvula de descarga Valvola di messa a vuoto Aflastningsventil Válvula de descarga Avlastningsventil Kevennysventtiili .....	8	Start cubicle Startkast Startskåp Anlaßschrank Armoire de démarrage Cubículo de arranque Armadio apparecch. di avviamento Starterskab Cubículo-arranque Startskap Käynnistinkotelo	
Cooling system Koelsysteem Kylsystem Kühlsystem Circuit de refroidissement		- CSA/UL - Elektronikon I+ .....	14
		- CSA/UL - Elektronikon II .....	15
		- IEC - Elektronikon I+ .....	16
		- IEC - Elektronikon II .....	17
		Bodywork Carrosserie Karosseri Karosserie	

Capotage			
Carrocería			
Cappottatura			
Karrosseri			
Carroceria			
Kabinett			
Kotelo .....	<b>18</b>		
Modulating control			
Modulatieconrole			
Moduleringskontroll			
Modulationskontrolle			
Contrôle de la modulation			
Control de modulaci6n			
Controllo continuo			
Modulationsstyring			
Controlo de modulac6o			
Modulasjonsregulering			
Modulointis66t6			
- GA 7, GA 11 .....	<b>19</b>		
Heavy duty filters			
Filters, hoge prestatie			
H6geeffektfilter			
Hochleistungsfilter			
Filtres hautement performants			
Filtros para trabajo pesado			
Filtro per servizio pesante			
Heavy duty filtre			
Filtro para trabalho pesado			
Heavy-duty filtre			
Suurtehosuodatimet .....	<b>20</b>		
Rain protection			
Regenbescherming			
Regnskydd			
Regenschutz			
Protection contre la pluie			
Protecci6n la lluvia			
Protezione contro la pioggia			
Regnbeskyttelse			
Protecc6o contra a chuva			
Regnbeskyttelse			
Sadesvuoja .....	<b>21</b>		
Lifting device			
Hijstoestel			
Lyftverktug			
Hebezeug			
Outil de levage			
Aparato de elevaci6n			
Utensile di sollevamento			
Lyftverktug			
Ferramenta de elevac6o			
L6ftev6rkt6j			
Nostoty6kalu .....	<b>22</b>		
Drain system			
Aftapsystem			
Avtappingssystem			
Ablaßsystem			
Syst6me de vidange			
Sistema de drenaje			
Sistema di scarico			
Drænsystem			
Sistema de drenagem de condensados			
Avtappingssystem			
Lauhteenpoistoj6rjestelm6			
- Oil Separator condensate Drain .....	<b>23</b>		
- Electronic Water Drain - Floor mounted .....	<b>24</b>		
- Electronic Water Drain - Tank mounted .....	<b>25</b>		
Main switch			
Hoofdschakelaar			
Huvudstr6mbrytare			
Hauptschalter			
Interrupteur principal			
Interruptor principal			
Interruttore della linea di alimentazione			
Hovedr6fbryder			
Interruptor principal			
Hovedstr6mbryter			
P66kytkin .....	<b>26</b>		
DD Filter kit			
DD Filter kit			
DD Filter kit			
DD Filter kit			
Kit, filtre DD			
Equipo de filtros DD			
Kit, filtro DD			
DD Filtersaet			
Kit, filtro DD			
DD Filtersett			
DD-suodatinsarja			
- WorkPlace Full-feature .....	<b>27</b>		
PD/DD Filter kit			
PD/DD Filter kit			
PD/DD Filter kit			
PD/DD Filter kit			
Kit, filtre PD/DD			
Equipo de filtros PD/DD			
Kit, filtro PD/DD			
PD/DD Filtersaet			
Kit, filtro PD/DD			
PD/DD Filtersett			
PD/DD-suodatinsarja			
- WorkPlace Full-feature .....	<b>28</b>		
Service kits			
Service kits			
Service kits			
Service Kits			
Service kits			
Service kits			
Kit per la manutenzione			
Service kits			
Conjuntos de reparac6o			
Servicesett			
Huoltotarvikesarjat .....	<b>29</b>		

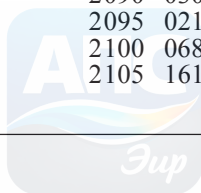
1

Drive arrangement



61737\_01

Ref.	Part number	Qty	Name	Remarks	Ref.	Part number	Qty	Name	Remarks
1005	2989 0164 00	1	Service stage		2060	0147 1323 03	4	Hexagon bolt	
2005	1622 0818 00	1	Support for mot		2065	0303 1274 01	4	Washer	
2010	0147 1963 08	2	Hexagon bolt		2070	1622 0252 00	2	Support	
2015	1619 2766 00	2	Bolt		2075	0301 2344 00	4	Washer	
2020	0147 1323 03	4	Hexagon bolt		2080	0333 3232 00	4	Lock washer	
2025	0301 2335 00	4	Washer		2085	0147 1364 03	4	Hexagon bolt	
2030	0392 1100 12	3	Damper		2090	0301 2344 00	1	Washer	
2035	0301 2335 00	3	Washer		2095	0211 1964 06	1	Hex sock. screw	
2040	0266 2110 00	3	Nut		2100	0686 6126 00	1	Plug	
2055	1622 0211 01	1	Support motor g		2105	1613 8967 01	1	Cable	

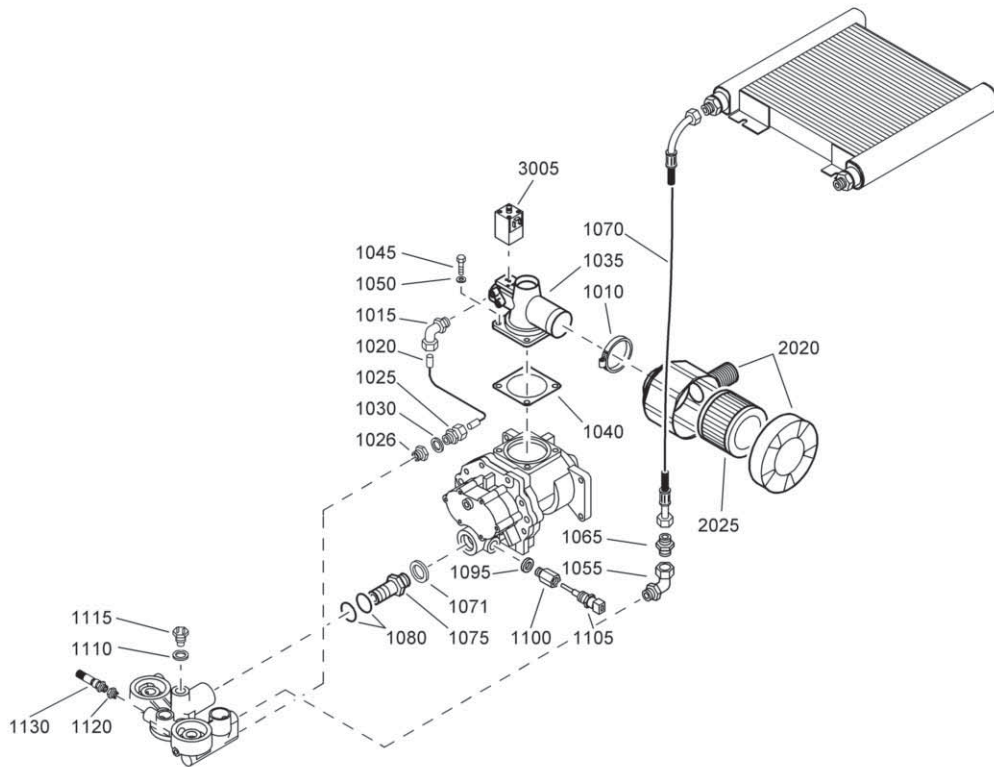


Ref.	Part number	Qty	Name	Remarks	Ref.	Part number	Qty	Name	Remarks
3005		1	Pulley - Motor		1613 9032 04			GA 5 10bar(e)	
	1622 0225 04		GA 5 7.5bar(e)		1613 9032 03			GA 5 13bar(e)	
	1622 0225 03		GA 5 8.5bar(e)		1613 9032 04			GA 5 100psig	
	1622 0225 03		GA 5 10bar(e)		1613 9032 03			GA 5 125psig	
	1622 0225 01		GA 5 13bar(e)		1613 9032 03			GA 5 150psig	
	1622 0225 03		GA 5 100psig		1613 9032 04			GA 5 175psig	
	1622 0225 06		GA 5 125psig		1613 9032 05			GA 7 7.5bar(e)	
	1622 0225 06		GA 5 150psig		1613 9032 08			GA 7 8.5bar(e)	
	1622 0225 01		GA 5 175psig		1613 9032 02			GA 7 10bar(e)	
	1622 0225 08		GA 7 7.5bar(e)		1613 9032 05			GA 7 13bar(e)	
	1622 0225 04		GA 7 8.5bar(e)		1613 9032 06			GA 7 100psig	
	1622 0225 04		GA 7 10bar(e)		1613 9032 04			GA 7 125psig	
	1622 0225 04		GA 7 13bar(e)		1613 9032 04			GA 7 150psig	
	1622 0225 08		GA 7 100psig		1613 9032 03			GA 7 175psig	
	1622 0225 07		GA 7 125psig		1613 9032 01			GA 11 7.5bar(e)	
	1622 0225 07		GA 7 150psig		1613 9032 01			GA 11 8.5bar(e)	
	1622 0225 01		GA 7 175psig		1613 9032 07			GA 11 10bar(e)	
	1622 0225 09		GA 11 7.5bar(e)		1613 9032 05			GA 11 13bar(e)	
	1622 0225 09		GA 11 8.5bar(e)		1613 9032 07			GA 11 100psig	
	1622 0225 05		GA 11 10bar(e)		1613 9032 05			GA 11 125psig	
	1622 0225 08		GA 11 13bar(e)		1613 9032 05			GA 11 150psig	
	1622 0225 05		GA 11 100psig		1613 9032 08			GA 11 175psig	
	1622 0225 08		GA 11 125psig		4005	1		Motor	
	1622 0225 08		GA 11 150psig		1080 4180 01			GA 5 200V/50-60Hz 220V/50Hz	
	1622 0225 08		GA 11 175psig		1080 4180 02			GA 5 230V/50Hz IEC	
3010		1	Pulley - Element		1080 4180 04			GA 5 400V/50Hz IEC	
	1622 0224 03		GA 5 7.5bar(e)		1080 4180 04			GA 5 400V+N/50Hz IEC	
	1622 0224 06		GA 5 8.5bar(e)		1080 4180 11			GA 5 200V/60Hz CSA/UL	
	1622 0224 04		GA 5 10bar(e)		1080 4180 13			GA 5 380V/60Hz IEC	
	1622 0224 03		GA 5 13bar(e)		1080 4180 14			GA 5 575V/60Hz CSA/UL	
	1622 0224 02		GA 5 100psig		1080 4180 15			GA 5 690V/60Hz IEC	
	1622 0224 06		GA 5 125psig		1080 4180 16			GA 5 400V/60Hz CSA/UL	
	1622 0224 04		GA 5 150psig		1080 4181 01			GA 7 200V/50-60Hz 220V/60Hz	
	1622 0224 05		GA 5 175psig		1080 4181 02			GA 7 230V/50Hz IEC	
	1622 0224 07		GA 7 7.5bar(e)		1080 4181 03			GA 7 380V/50Hz IEC	
	1622 0224 06		GA 7 8.5bar(e)		1080 4181 04			GA 7 400V/50Hz	
	1622 0224 07		GA 7 10bar(e)		1080 4181 05			GA 7 500V/50Hz IEC	
	1622 0224 05		GA 7 13bar(e)		1080 4181 11			GA 7 200V/60Hz CSA/UL	
	1622 0224 05		GA 7 100psig		1080 4181 12			GA 7 220-230-440-460V	
	1622 0224 06		GA 7 125psig		1080 4181 13			GA 7 380V/60Hz IEC	
	1622 0224 07		GA 7 150psig		1080 4181 14			GA 7 575V/60Hz CSA/UL	
	1622 0224 01		GA 7 175psig		1080 4181 16			GA 7 400V/60Hz CSA/UL	
	1622 0224 06		GA 11 7.5bar(e)		1080 4182 01			GA 11 200V/50-60Hz 220V/50Hz	
	1622 0224 02		GA 11 8.5bar(e)		1080 4182 02			GA 11 230V/50Hz IEC	
	1622 0224 02		GA 11 10bar(e)		1080 4182 03			GA 11 380V/50Hz IEC	
	1622 0224 02		GA 11 13bar(e)		1080 4182 04			GA 11 400V/50Hz IEC	
	1622 0224 02		GA 11 100psig		1080 4182 05			GA 11 500V/50Hz IEC	
	1622 0224 06		GA 11 125psig		1080 4182 11			GA 11 200V/60Hz CSA/UL	
	1622 0224 02		GA 11 150psig		1080 4182 12			GA 11 220-230-440-460V	
	1622 0224 06		GA 11 175psig		1080 4182 13			GA 11 380V/60Hz IEC	
3015		1	V-belt set		1080 4182 14			GA 11 575V/60Hz CSA/UL	
	1613 9032 05		GA 5 7.5bar(e)		1080 4182 15			GA 11 690V/60Hz IEC	
	1613 9032 03		GA 5 8.5bar(e)						



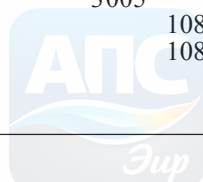
2

Air system - Common

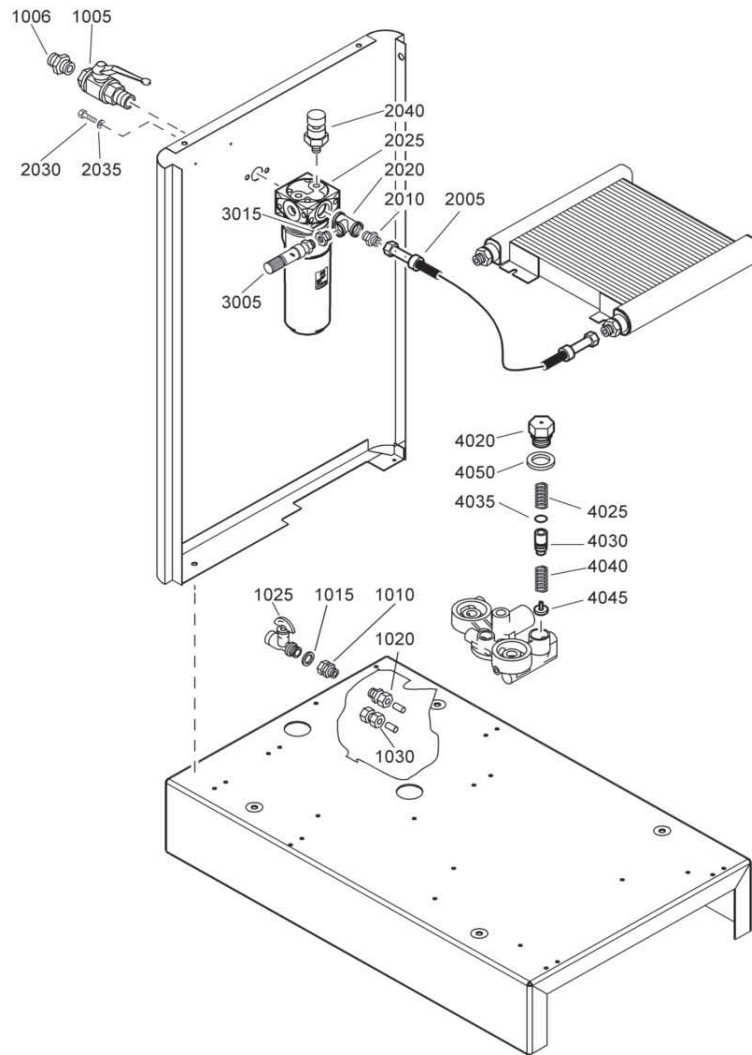


61743\_02

Ref.	Part number	Qty	Name	Remarks	Ref.	Part number	Qty	Name	Remarks
1010	0347 6113 00	1	Hose clip		1080	0663 3130 00	2	O-ring	
1015	0581 1200 16	1	Coupling		1095	0663 3125 00	1	O-ring	
1020	0070 6002 04	AR	Plastic tube		1100	0605 8995 02	1	Bushing	
1025	0581 0000 34	1	Coupling		1105	1089 0574 55	1	Temp.sensor	
1026	0605 8700 90	1	Bushing		1110	0661 1000 39	1	Seal washer	
1030	0661 1000 38	1	Seal washer		1115	0686 3718 17	1	Plug	
<b>1035</b>	<b>&lt;&lt;&lt;&lt; &gt;&gt;&gt;&gt;</b>	<b>1</b>	<b>Unloader valve</b>		1120	0605 8300 99	1	Bushing	
1040	1613 9010 00	1	Gasket		1130	0830 1008 73	1	Safety valve	
1045	0147 1323 03	4	Hexagon bolt			<b>1613 9000 80</b>	<b>1</b>	<b>Air filter assembly</b>	
1050	0301 2335 00	4	Washer		2020	1613 9000 00	• 1	Air filter housing	
1055	1503 2565 04	1	Elbow		2025	1613 9001 00	• 1	Air filter element	
1065	0571 0035 55	1	Nipple		3005		1	Solenoid valve	
1070	1622 0869 00	1	Hose			1089 0621 20		50Hz	
1071	0663 3130 00	1	O-ring			1089 0621 19		60Hz	
1075	1622 0233 20	1	Coupling						

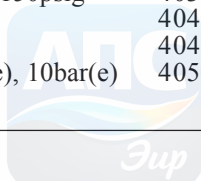


**Air flow - Air outlet - WorkPlace - Floor mounted**

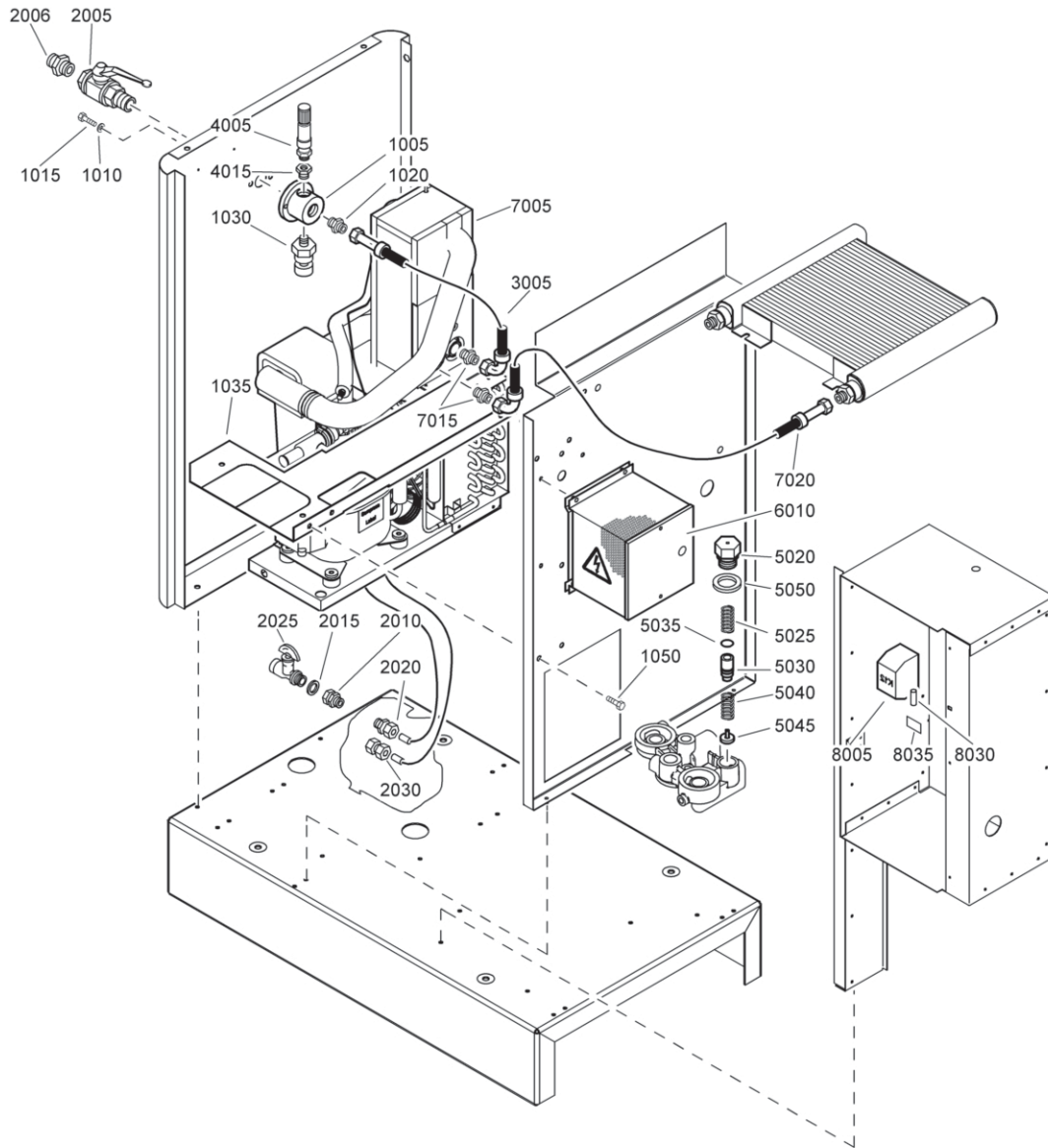


61777\_06

Ref.	Part number	Qty	Name	Remarks	Ref.	Part number	Qty	Name	Remarks
1005	0852 0010 21	1	Ball valve				1	<b>Min.press.valve</b>	
1006	0603 4150 14	1	Bushing			<b>1608 0473 00</b>		7.5bar(e), 8.5bar(e), 10bar(e)	
			ASME			<b>1608 0472 00</b>		13bar(e)	
1010	0581 0000 33	1	Coupling			<b>1608 0473 00</b>		100psig, 125psig, 150psig	
1015	0661 1000 42	1	Seal washer			<b>1608 0472 00</b>		175psig	
1020	0581 0000 43	1	Coupling		4020		1	Housing	
1025	1619 7336 00	1	Cock			1513 0539 00		7.5bar(e), 8.5bar(e), 10bar(e)	
1030	0581 0000 55	1	Pipe coupling			1622 0257 00		13bar(e)	
2005	0574 9910 12	1	Hose assy			1513 0539 00		100psig, 125psig, 150psig	
2010	0571 0035 55	1	Nipple			1622 0257 00		175psig	
2020	1503 2566 13	1	Tee		4025		1	Spring	
<b>2025</b>	<b>1613 8223 80</b>	<b>1</b>	<b>WSD 25</b>			1513 0063 00		7.5bar(e), 8.5bar(e), 10bar(e)	
	2901 0712 00	1	Drain valve kit			1622 0259 00		13bar(e)	
	2901 0748 00	1	Separation kit			1513 0063 00		100psig, 125psig, 150psig	
2030	0147 1247 03	2	Hexagon bolt			1622 0259 00		175psig	
2035	0301 2321 00	2	Washer		4030		1	Piston	
2040	1089 0575 51	1	Press.transducer			1513 0402 01		7.5bar(e), 8.5bar(e), 10bar(e)	
3005		1	Safety valve			1513 0402 02		13bar(e)	
	0830 1007 68		7.5bar(e), 8.5bar(e), 10bar(e)			1513 0402 01		100psig, 125psig, 150psig	
	0830 1008 85		13bar(e)			1513 0402 02		175psig	
	0830 1008 35		100psig, 125psig, 150psig		4035	0663 2105 40	1	O-ring	
	0830 1008 85		175psig		4040	1513 0064 00	1	Spring	
3015		1	Bushing		4045	1513 0401 01	1	Valve disc	
	0605 8700 90		7.5bar(e), 8.5bar(e), 10bar(e)		4050	0661 1000 44	1	Seal washer	



4



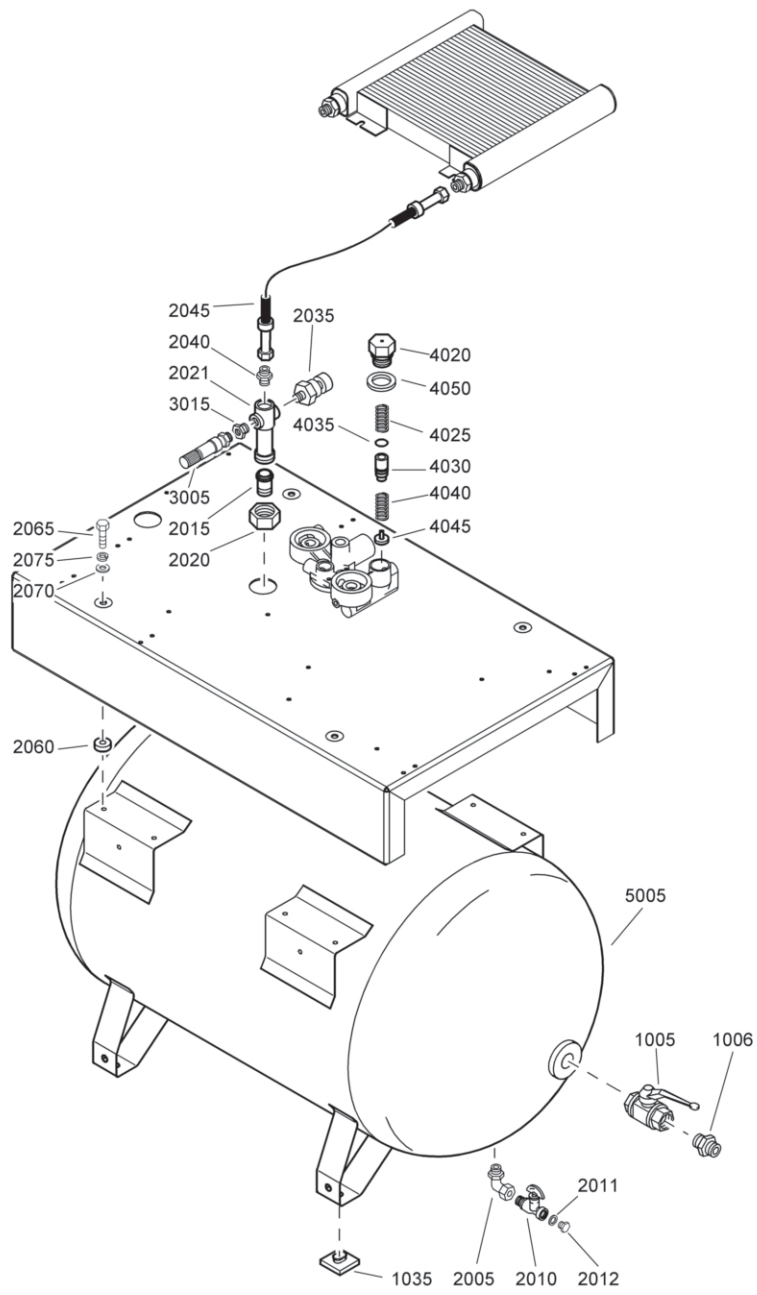
61778\_06



## Air flow - Air outlet - WorkPlace Full-feature - Floor mounted

Ref.	Part number	Qty	Name	Remarks	Ref.	Part number	Qty	Name	Remarks
1005	1622 0838 00	1	Flange		5025		1	Spring	
1010	0301 2335 00	2	Washer		1513 0063 00			7.5bar(e), 8.5bar(e), 10bar(e)	
1015	0147 1323 03	2	Hexagon bolt		1622 0259 00			13bar(e)	
1020	0571 0035 55	1	Nipple		1513 0063 00			100psig, 125psig, 150psig	
1030	1089 0575 51	1	Press.transducer		1622 0259 00			175psig	
<b>1035</b>	<b>1622 0837 00</b>	<b>1</b>	<b>Coverplate</b>		5030		1	Piston	
	<b>1622 0893 00</b>		GA 5, GA 7		1513 0402 01			7.5bar(e), 8.5bar(e), 10bar(e)	
	1619 3843 00		GA 11		1513 0402 02			13bar(e)	
		•	AR Seal		1513 0402 01			100psig, 125psig, 150psig	
1045	1619 5337 03	2	Paint strip.bol		1513 0402 02			175psig	
1050	1079 1472 05	3	Bolt		5035 0663 2105 40		1	O-ring	
2005	0852 0010 21	1	Ball valve		5040 1513 0064 00		1	Spring	
2006		1	Bushing		5045 1513 0401 01		1	Valve disc	
	0603 4150 14		ASME		5050 0661 1000 44		1	Seal washer	
2010	0581 0000 33	1	Coupling		6010		1	Trafo kit	
2015	0661 1000 42	1	Seal washer		1089 9437 52		1	Transformer	
2020	0581 0000 43	1	Coupling		1088 1001 03		1	Warning label	
2025	1619 7336 00	1	Cock		<b>7005</b> <<< >>>		<b>1</b>	<b>Dryer</b>	
2030	0581 0000 55	1	Pipe coupling		7015		2	Nipple	
3005		1	Hose assy		0571 0035 37			GA 5, GA 7	
	0574 9911 28		GA 5, GA 7		0571 0035 58			GA 11	
	0574 9911 27		GA 11		7020		1	Hose assy	
4005		1	Safety valve		0574 9911 26			GA 5, GA 7	
	0830 1007 68		7.5bar(e), 8.5bar(e), 10bar(e)		0574 9911 25			GA 11	
	0830 1008 85		13bar(e)		8005		1	Contactore	
	0830 1008 35		100psig, 125psig, 150psig		1089 9415 11			50Hz	
	0830 1008 85		175psig		1089 9415 14			60Hz	
4015		1	Bushing		8030		1	Fuse link	
	0605 8700 90		7.5bar(e), 8.5bar(e), 10bar(e)		1089 9168 54			60Hz	
	<b>1608 0473 00</b>	<b>1</b>	<b>Min.press.valve</b>		8035		1	Fuse label	
	<b>1608 0472 00</b>		7.5bar(e), 8.5bar(e), 10bar(e)		1079 9922 31			60Hz	
	<b>1608 0473 00</b>		13bar(e)						
	<b>1608 0473 00</b>		100psig, 125psig, 150psig						
	<b>1608 0472 00</b>		175psig						
5020		•	1 Housing						
	1513 0539 00		7.5bar(e), 8.5bar(e), 10bar(e)						
	1622 0257 00		13bar(e)						
	1513 0539 00		100psig, 125psig, 150psig						
	1622 0257 00		175psig						

# 5



61779\_06

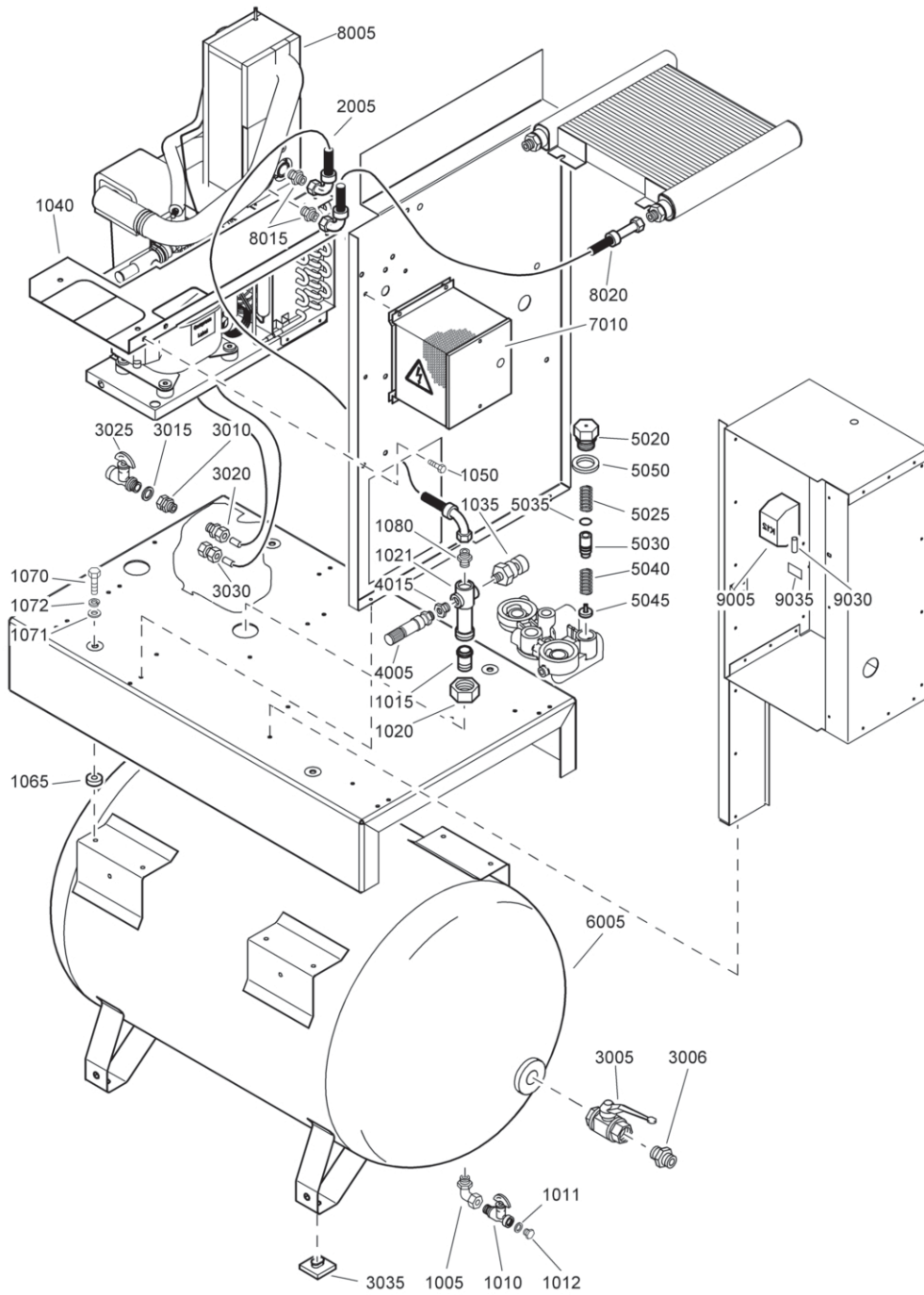


## Air flow - Air outlet - WorkPlace - Tank mounted

## 5

Ref.	Part number	Qty	Name	Remarks	Ref.	Part number	Qty	Name	Remarks
1005	0852 0010 21	1	Ball valve		4025		• 1	Spring	
1006		1	Bushing			1513 0063 00		7.5bar(e), 8.5bar(e), 10bar(e)	
	0603 4150 14		ASME			1622 0259 00		13bar(e)	
1035	1502 4202 00	4	Pad			1513 0063 00		100psig, 125psig, 150psig	
2005	1503 2565 41	1	Elbow			1622 0259 00		175psig	
2010	0852 0010 36	1	Ball valve		4030		• 1	Piston	
2011	0661 1000 40	1	Seal washer			1513 0402 01		7.5bar(e), 8.5bar(e), 10bar(e)	
2012	0686 3716 30	1	Hexagon plug			1513 0402 02		13bar(e)	
2015	1622 0697 00	1	Coupling			1513 0402 01		100psig, 125psig, 150psig	
2020	1622 0698 00	1	Nut			1513 0402 02		175psig	
2021	1622 0699 00	1	Connection		4035	0663 2105 40	• 1	O-ring	
2035	1089 0575 51	1	Press.transducer		4040	1513 0064 00	• 1	Spring	
2040	0571 0035 36	1	Hexagon nipple		4045	1513 0401 01	• 1	Valve disc	
2045	0574 9910 13	1	Hose assy		4050	0661 1000 44	• 1	Seal washer	
2060	1622 0872 00	4	Damper		5005		1	Air receiver	
2065	0147 1330 03	4	Hexagon bolt			1622 0210 00		270L CE 11	
2070	0301 2335 00	4	Washer			1622 0228 00		270L CE 14	
2075	0333 3227 00	4	Lock washer			1622 0278 00		270L DIR	
3005		1	Safety valve			1622 0289 00		270L MOL	
	0830 1007 68		7.5bar(e), 8.5bar(e), 10bar(e)			1622 0278 01		270L SQL	
	0830 1008 85		13bar(e)			1622 0254 00		500L CE	
	0830 1008 35		100psig, 125psig, 150psig			1622 0279 00		500L DIR	
	0830 1008 85		175psig			1622 0288 00		500L MOL	
3015		1	Bushing			1622 0279 01		500L SQL	
	0605 8700 90		7.5bar(e), 8.5bar(e), 10bar(e)			1622 0268 00		80 gallon LLOYDS - ASME	
		1	<b>Min.press.valve</b>			1622 0268 02		80 gallon MOM	
	<b>1608 0473 00</b>		7.5bar(e), 8.5bar(e), 10bar(e)			1622 0269 00		125 gallon LLOYDS - ASME	
	<b>1608 0472 00</b>		13bar(e)			1622 0269 02		125 gallon MOM	
	<b>1608 0473 00</b>		100psig, 125psig, 150psig						
	<b>1608 0472 00</b>		175psig						
4020		• 1	Housing						
	1513 0539 00		7.5bar(e), 8.5bar(e), 10bar(e)						
	1622 0257 00		13bar(e)						
	1513 0539 00		100psig, 125psig, 150psig						
	1622 0257 00		175psig						

6



61780\_06

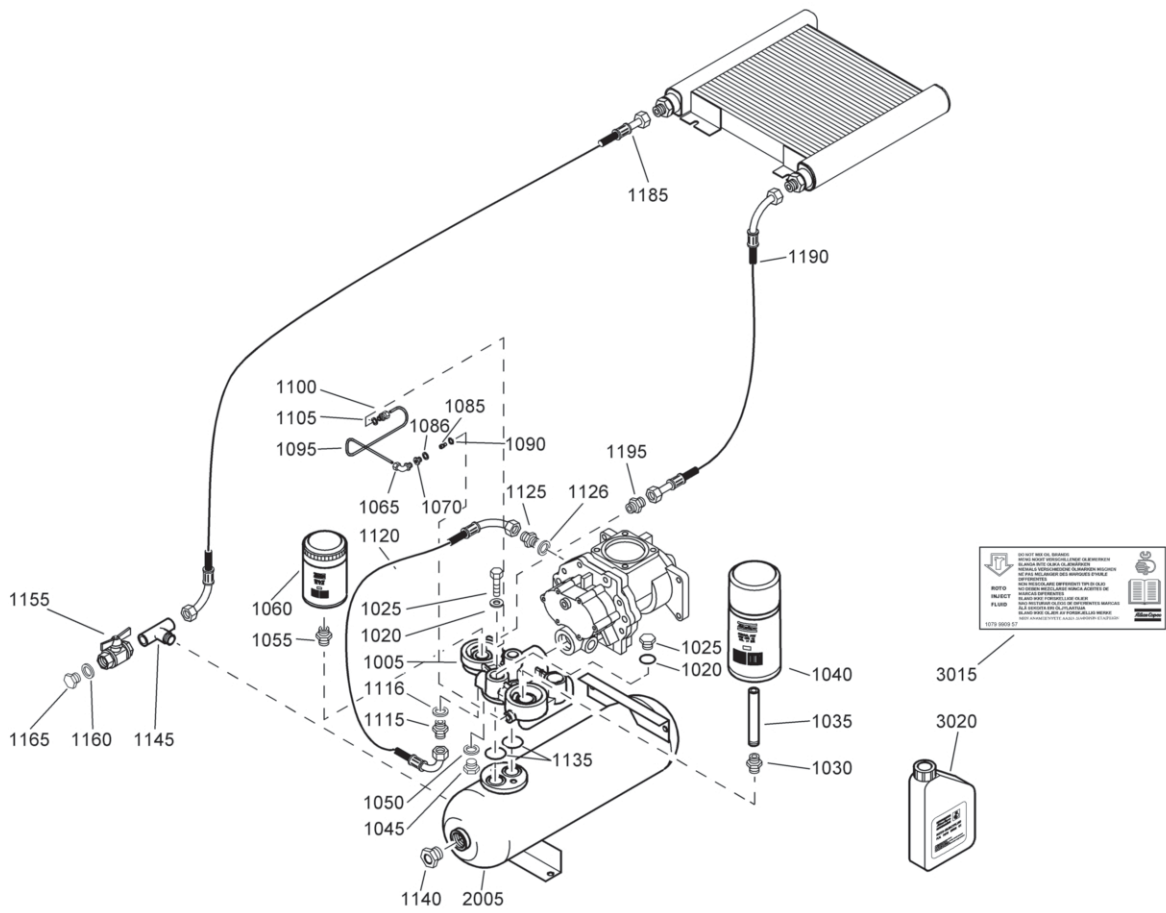


## Air flow - Air outlet - WorkPlace Full-feature - Tank mounted

6

Ref.	Part number	Qty	Name	Remarks	Ref.	Part number	Qty	Name	Remarks
1005	1503 2565 41	1	Elbow		5025		1	Spring	
1010	0852 0010 36	1	Ball valve		1513 0063 00			7.5bar(e), 8.5bar(e), 10bar(e)	
1011		1	Seal washer		1622 0259 00			13bar(e)	
	0661 1000 40		GA 5, GA 7		1513 0063 00			100psig, 125psig, 150psig	
1012		1	Hexagon plug		1622 0259 00			175psig	
	0686 3716 30		GA 5, GA 7		5030		1	Piston	
1015	1622 0697 00	1	Coupling		1513 0402 01			7.5bar(e), 8.5bar(e), 10bar(e)	
1020	1622 0698 00	1	Nut		1513 0402 02			13bar(e)	
1021	1622 0699 00	1	Connection		1513 0402 01			100psig, 125psig, 150psig	
1035	1089 0575 51	1	Press.transducer		1513 0402 02			175psig	
1040		1	Coverplate		5035 0663 2105 40		1	O-ring	
	1622 0837 00		GA 5, GA 7		5040 1513 0064 00		1	Spring	
	1622 0893 00		GA 11		5045 1513 0401 01		1	Valve disc	
1050	1079 1472 05	3	Bolt		5050 0661 1000 44		1	Seal washer	
1065	1622 0872 00	4	Damper		6005		1	Air receiver	
1070	0147 1330 03	4	Hexagon bolt		1622 0210 00			270L CE 11	
1071	0301 2335 00	4	Washer		1622 0228 00			270L CE 14	
1072	0333 3227 00	4	Lock washer		1622 0278 00			270L DIR	
1075	1619 5337 03	2	Paint strip.bol		1622 0289 00			270L MOL	
1080	0571 0035 36	1	Hexagon nipple		1622 0278 01			270L SQL	
2005		1	Hose assy		1622 0254 00			500L CE	
	0574 9918 11		GA 5, GA 7		1622 0279 00			500L DIR	
	0574 9918 10		GA 11		1622 0288 00			500L MOL	
3005	0852 0010 21	1	Ball valve		1622 0279 01			500L SQL	
3006		1	Bushing		1622 0268 00			80 gallon LLOYDS - ASME	
	0603 4150 14		ASME		1622 0268 02			80 gallon MOM	
3010	0581 0000 33	1	Coupling		1622 0269 00			125 gallon LLOYDS - ASME	
3015	0661 1000 42	1	Seal washer		1622 0269 02			125 gallon MOM	
3020	0581 0000 43	1	Coupling		7010		1	Trafo kit	
3025	1619 7336 00	1	Cock		1089 9437 52		1	Transformer	
3030	0581 0000 55	1	Pipe coupling		1088 1001 03		1	Warning label	
3035	1502 4202 00	4	Pad		8005 <<<>		1	Dryer	
4005		1	Safety valve		8015		2	Nipple	
	0830 1007 68		7.5bar(e), 8.5bar(e), 10bar(e)		0571 0035 37			GA 5, GA 7	
	0830 1008 85		13bar(e)		0571 0035 58			GA 11	
	0830 1008 35		100psig, 125psig, 150psig		8020		1	Hose assy	
	0830 1008 85		175psig		0574 9911 26			GA 5, GA 7	
4015		1	Bushing		0574 9911 25			GA 11	
	0605 8700 90		7.5bar(e), 8.5bar(e), 10bar(e)		9005		1	Contactora	
		1	Min.press.valve		1089 9415 11			50Hz	
	1608 0473 00		7.5bar(e), 8.5bar(e), 10bar(e)		1089 9415 14			60Hz	
	1608 0472 00		13bar(e)		9030		1	Fuse link	
	1608 0473 00		100psig, 125psig, 150psig		1089 9168 54			60Hz	
	1608 0472 00		175psig		9035		1	Fuse label	
5020		1	Housing		1079 9922 31			60Hz	
	1513 0539 00		7.5bar(e), 8.5bar(e), 10bar(e)						
	1622 0257 00		13bar(e)						
	1513 0539 00		100psig, 125psig, 150psig						
	1622 0257 00		175psig						

7

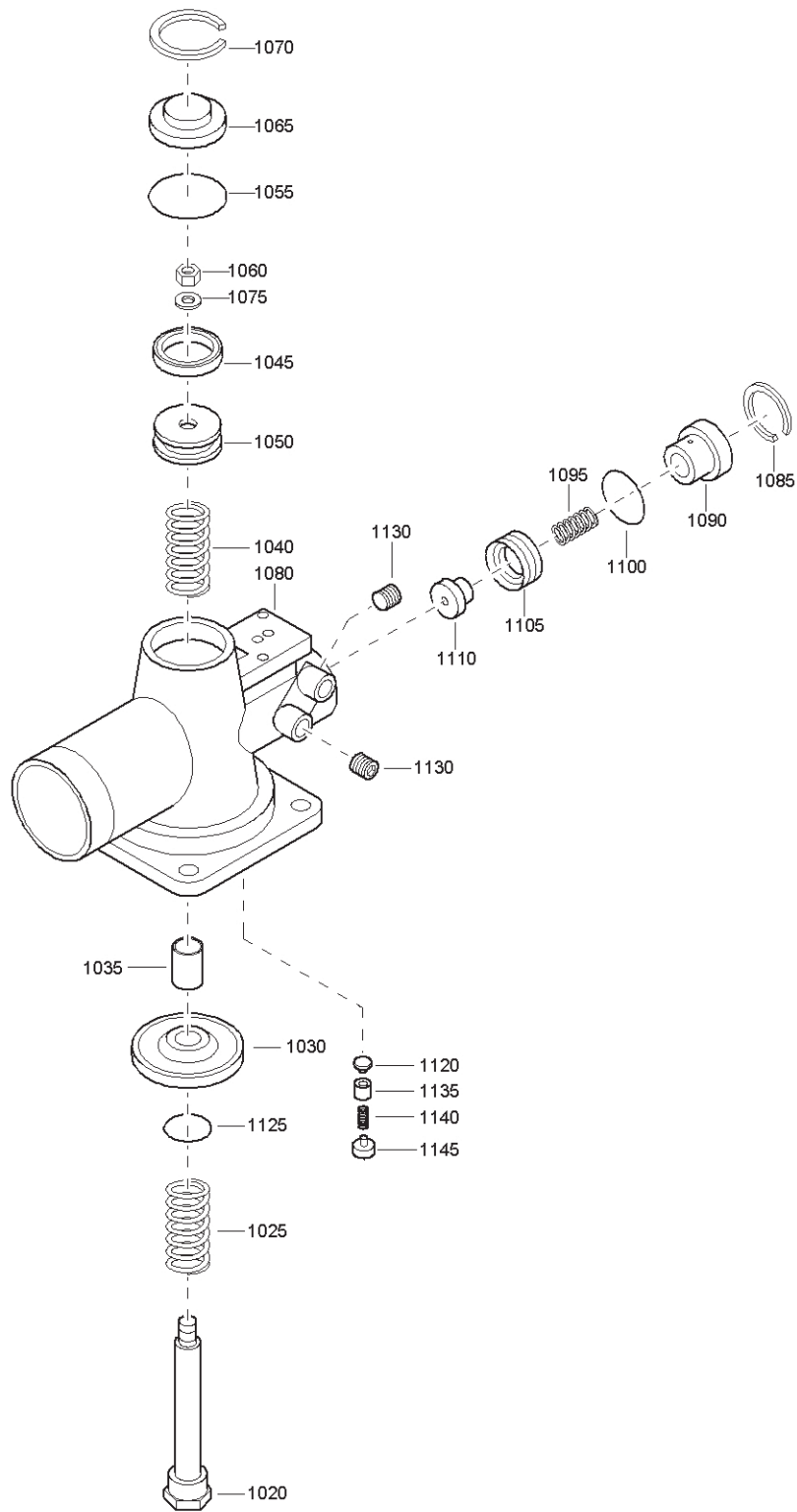


62517\_05

## Oil system

Ref.	Part number	Qty	Name	Remarks	Ref.	Part number	Qty	Name	Remarks
1005	1622 0559 00	1	Connection		1115	0571 0035 94	1	Nipple	
1010	0301 2344 00	2	Washer			0663 3125 00	1	O-ring	
1015	0147 1365 03	2	Hexagon bolt		1120	0575 1281 01	1	Hose assembly	
1020	0663 2102 15	1	O-ring		1125	0571 0035 94	1	Nipple	
1025	1202 8992 00	1	Plug		1126	0663 3125 00	1	O-ring	
1030	1622 0235 00	1	Coupling		1135	0663 3130 00	2	O-ring	
1035	1622 0236 00	1	Pipe		1140	1513 0167 00	1	Sight glass	
1040	1622 0871 00	1	Oil separator		1145	1622 1718 00	1	Tee	
1045	0686 3718 14	1	Hexagon plug		1155	0852 0010 36	1	Ball valve	
1050		-	Not used		1160	0661 1000 38	1	Seal washer	
1055	1622 0624 00	1	Nipple		1165	0686 3718 15	1	Hexagon plug	
1060	1513 0337 01	1	Oil filter		1185	0575 1216 56	1	Hose assy	
1065	0581 1200 32	1	Coupling		1190	0575 1280 51	1	Hose assy	
1070	1622 0731 20	1	Bushing		1195	0571 0035 94	1	Nipple	
1080	1613 9004 00	1	Spring		1116	0663 3125 00	1	O-ring	
1085	1613 9005 00	1	Non return valve		2005		1	Vessel	
1086	0663 3119 00	1	O-ring			1622 2055 80		ASME, LLOYD'S	
1090	0663 2108 11	1	O-ring			1622 1881 80		CE	
1095	1622 0738 00	1	Scavengeline		3015	1079 9909 57	1	Label	
1100	0581 0001 16	1	Pipe coupling		3020	1613 6532 01	1	Oil can	
1105	0661 1000 38	1	Seal washer						

8



61066\_20

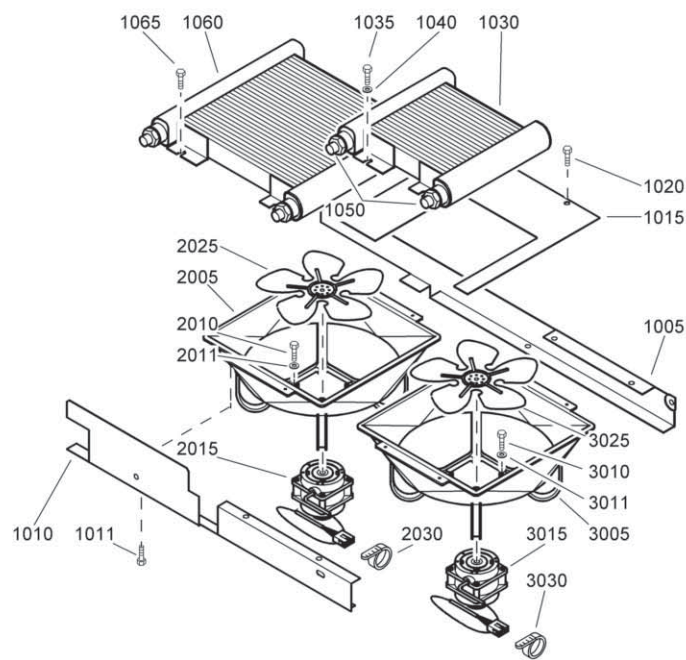


## Unloading valve

8

Ref.	Part number	Qty	Name	Remarks	Ref.	Part number	Qty	Name	Remarks
	<b>1613 9008 87</b>	<b>1</b>	<b>Unloading valve</b>		1075	0301 2135 01	• 1	Washer	
	<b>1613 9008 86</b>		Modulating Control		1080		• 1	Valve housing	
			Load / Unload Control			1613 9008 11		Modulating Control	
1020	1613 9009 10	• 1	Piston rod			1613 9008 10		Load / Unload Control	
1025	1513 0015 00	• 1	Spring		1085	0335 2130 00	• 1	Circlip	
1030		• 1	Valve		1090		• 1	Cover	
	1513 0476 80		Modulating Control			1513 0534 00		Modulating Control	
	1513 0398 00		Load / Unload Control			1513 0533 00		Load / Unload Control	
1035	2235 3012 00	• 1	Bush		1095	1513 0011 00	• 1	Spring	
1040	1513 0385 10	• 1	Spring		1100	0663 6129 00	• 1	O-ring	
1045		• 1	Piston ring		1105	1513 0532 00	• 1	Piston	
	1513 0477 00		Modulating Control		1110	1513 0535 00	• 1	Valve seat	
	1513 0019 00		Load / Unload Control		1120	2235 3039 00	• 1	Piston seat	
1050		• 1	Piston		1125	0663 2105 13	• 1	O-ring	
	1513 0472 00		Modulating Control		1130		• 2	Plug	
	1513 0384 00		Load / Unload Control			0686 6126 00		Load / Unload Control	
1055	0663 7132 00	• 1	O-ring		1135	1513 0248 00	• 1	Piston	
1060	0266 1110 02	• 1	Nut		1140	1513 0014 00	• 1	Spring	
1065	1513 0382 10	• 1	Cover		1145	1613 9662 00	• 1	Spring retainer	
1070	0335 2136 00	• 1	Circlip						

# 9



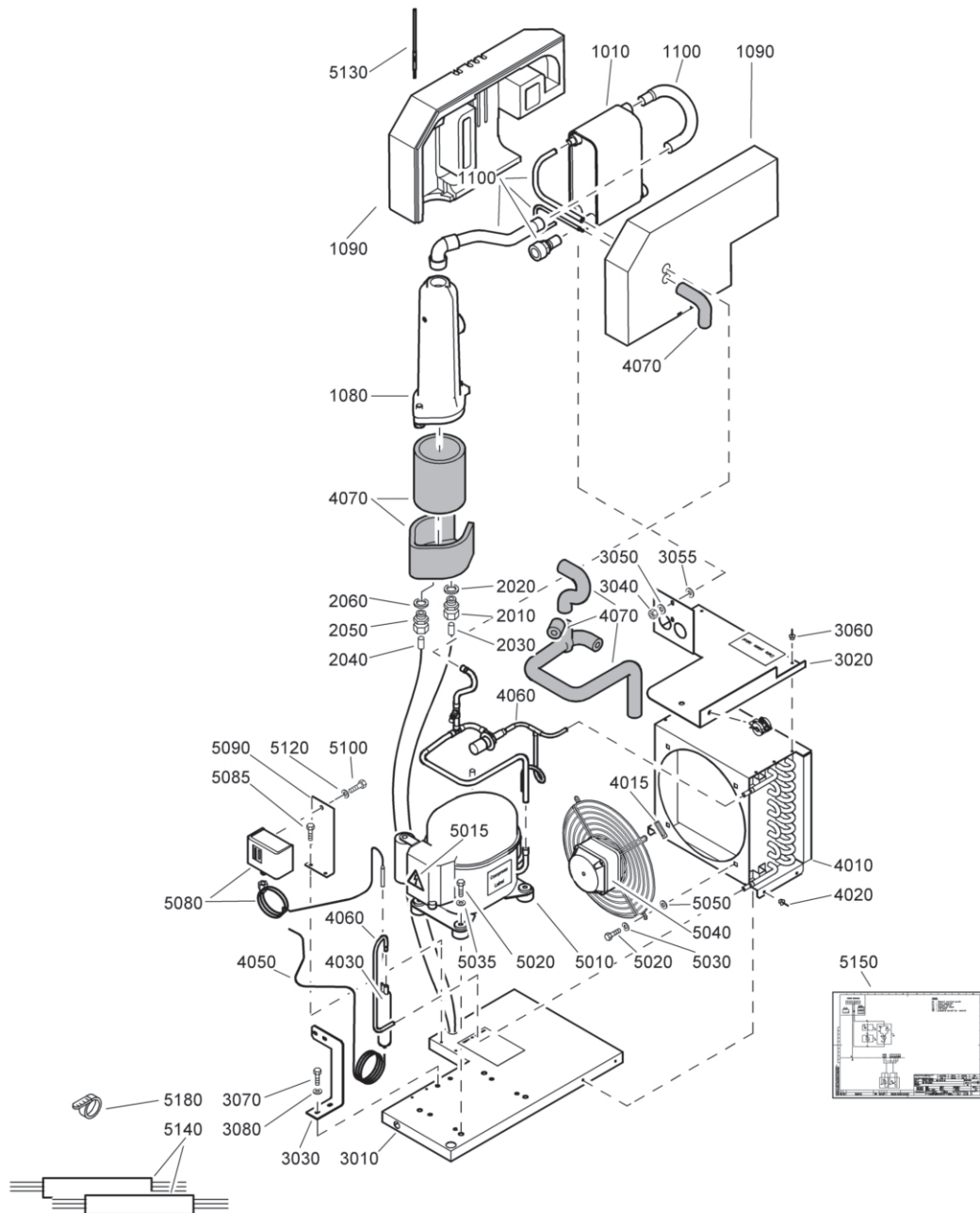
61744\_02

## Cooling system

Ref.	Part number	Qty	Name	Remarks	Ref.	Part number	Qty	Name	Remarks
1005	1622 1014 00	1	Support		2025		• 1	Fan	
1010	1622 0815 01	1	Support		1613 9819 01			GA 5, GA 7	
1011	0147 1963 08	4	Hexagon bolt		2030 1088 1301 01		• 1	Cable strip	
1015		1	Plate				<b>1</b>	<b>Fan assembly</b>	
	1622 0816 00		GA 5					GA 5 CSA/UL	
1020		2	Hexagon bolt					GA 5 IEC	
	0147 1963 08		GA 5					GA 7 CSA/UL	
1026	0129 3115 00	8	Blind rivet					GA 7 IEC	
1030		1	Aircooler					GA 11 Pack CSA/UL	
	1622 0594 00		GA 5					GA 11 Pack IEC	
	1622 0594 02		GA 7, GA 11					GA 11 Full Feature IEC	
1035	0147 1963 08	2	Hexagon bolt		3005		• 1	Fanduct	
1040		2	Washer			1622 0801 01		GA 5, GA 7, GA 11 Pack	
	0301 2335 00		GA5 CSA/UL			1622 0861 01		GA 11 Full Feature	
1050		2	Nipple		3010		• 4	Bolt	
	0571 0035 55		GA 5			0217 1100 41		GA 5, GA 7	
1060	1622 0594 01	1	Cooler			0217 1100 34		GA 11	
1065	0147 1963 08	2	Hexagon bolt		3011		• 4	Washer	
		<b>1</b>	<b>Fan assembly</b>			0301 2315 00		GA 5, GA 7	
	<b>1622 0801 91</b>		GA 5 CSA/UL			0300 0274 65		GA 11	
	<b>1622 0801 90</b>		GA 5 IEC		3015		• 1	Fan motor	
	<b>1622 0801 91</b>		GA 7 CSA/UL			1613 9800 14		GA 5 CSA/UL	
	<b>1622 0801 90</b>		GA 7 IEC			1613 9800 13		GA 5 IEC	
	<b>1622 0861 92</b>		GA11 50Hz IEC			1613 9800 14		GA 7 CSA/UL	
	<b>1622 0861 91</b>		GA11 60Hz CSA/UL			1613 9800 13		GA 7 IEC	
	<b>1622 0861 90</b>		GA11 60Hz IEC			1613 9800 14		GA 11 Pack CSA/UL	
2005		• 1	Fanduct			1613 9800 13		GA 11 Pack IEC	
	1622 0801 01		GA 5, GA 7			1622 0860 02		GA 11 Full Feature CSA/UL	
	1622 0861 01		GA 11			1622 0860 01		GA 11 Full Feature IEC	
2010	0217 1100 41	• 4	Bolt		3025		• 1	Fan	
2011	0301 2315 00	• 4	Washer			1613 9819 01		GA 5, GA 7, GA 11 Pack	
2015		• 1	Fan motor		3030	1088 1301 01	• 1	Cable strip	
	1613 9800 14		GA 5 CSA/UL						
	1613 9800 13		GA 5 IEC						
	1613 9800 14		GA 7 CSA/UL						
	1613 9800 13		GA 7 IEC						
	1622 1087 01		GA11 50Hz IEC						
	1622 0860 02		GA11 60Hz CSA/UL						
	1622 0860 01		GA11 60Hz IEC						



# 10



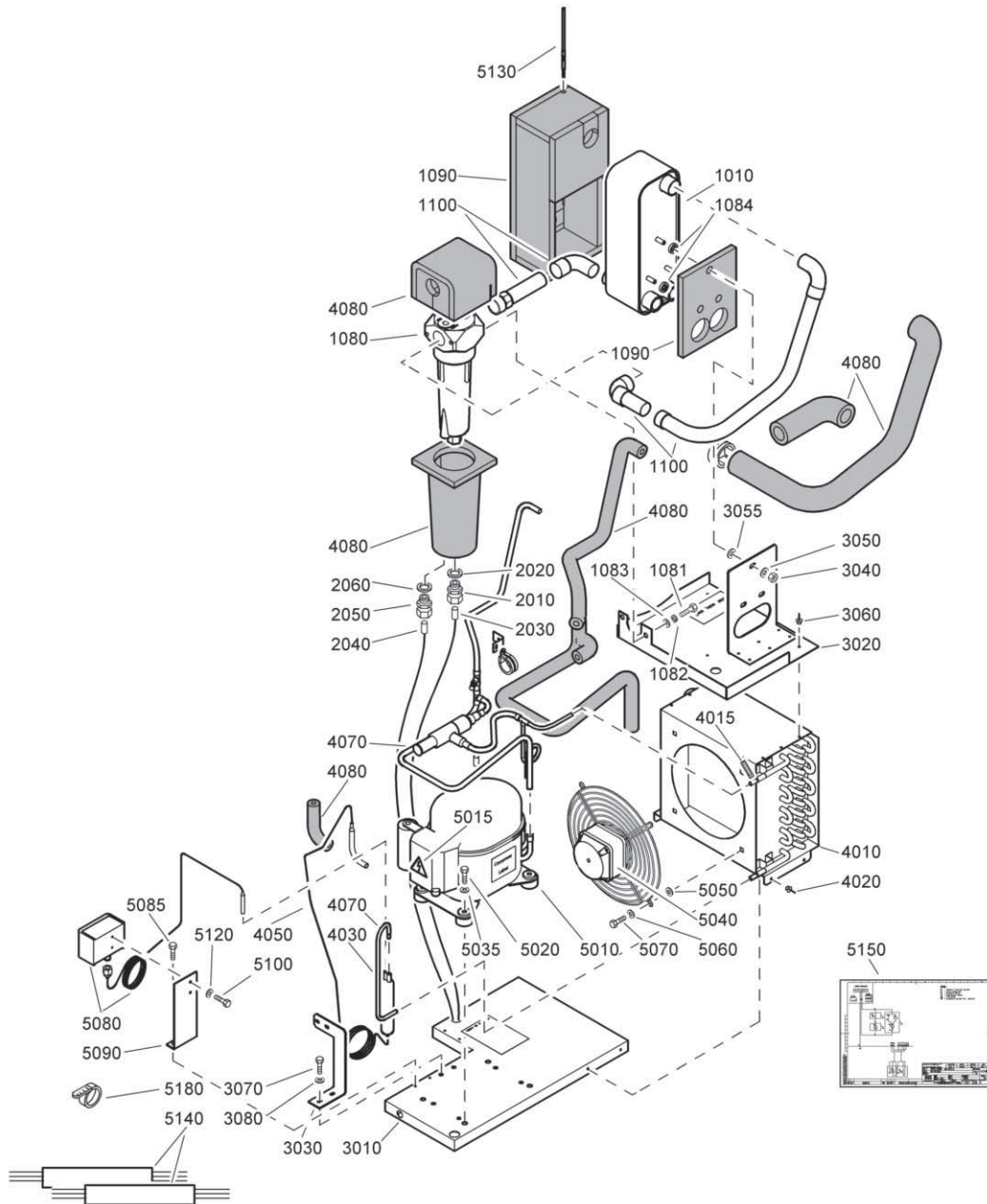
61754\_17



## Air dryer - GA 5, GA 7

Ref.	Part number	Qty	Name	Remarks	Ref.	Part number	Qty	Name	Remarks
	<b>1617 3138 80</b>	<b>1</b>	<b>Dryer</b>		4050		• 1	Capillary	
	<b>1617 3138 81</b>		GA 5/50Hz			1617 1331 29		GA 5	
	<b>1617 3139 80</b>		GA 5/60Hz			1617 1331 27		GA 7	
	<b>1617 3139 81</b>		GA 7/50Hz		<b>4060</b>		• <b>1</b>	<b>Pipe set</b>	
1010		• 1	Heat exchanger			1603 1008 72		GA 5	
	1617 3000 03		GA 5			1603 1008 73		GA 7	
	1617 3000 04		GA 7			1617 3047 01	•• 1	Hot gas bypass valve	
1080	1617 3030 80	• 1	Water separator			1619 5563 02	•• 1	Schrädervalue	
1090	1603 1900 61	• 1	Insulation set		4070	1603 1900 63	• 1	Insulation set	
1100		• 1	Pipe set		5010		• 1	Refr. compressor	
	1603 1008 84		GA 5			1617 1217 03		GA 5 230V/50Hz	
	1603 1008 85		GA 7			1617 1217 04		GA 5 200-220V/60Hz	
2010	0581 0000 35	• 1	Straight coupling			1617 1217 01		GA 7 230V/50Hz	
2020	0661 1020 00	• 1	Seal washer		5015	1088 1001 01	• 1	Warning mark	
2030	0070 6002 05	• AR	Plastic tube		5020	0147 1249 03	• 4	Hex. Bolt	
2040	0070 6002 04	• AR	Plastic tube		5030	0301 2327 00	• 4	Washer	
2050	0581 0000 34	• 1	Straight coupling		5040		• 1	Fan assy	
2060	0653 1062 00	• 1	Flat gasket			1617 2381 81		50Hz	
3010	1617 3004 00	• 1	Frame			1617 2381 82		60Hz	
3020	1617 3111 00	• 1	Support		5050	0333 3215 00	• 4	Washer	
3030	1617 3117 00	• 1	Support		5060	0301 2318 00	• 4	Washer	
3040	0266 2108 00	• 2	Nut		5070	0147 1208 03	• 4	Hex. Bolt	
3050	0301 2321 00	• 2	Washer		5080	1089 9139 02	• 1	Fan switch	
3055	0333 3220 00	• 2	Washer		5085	0147 1170 03	• 2	Hex. Bolt	
3060	0129 3115 00	• 6	Blind rivet		5090	1617 3168 00	• 1	Support	
3070	0147 1247 00	• 4	Bolt		5100	0226 3256 00	• 3	Screw	
3080	0301 2321 00	• 4	Washer		5120	0301 2315 00	• 3	Washer	
4010		• 1	Condensor		5130	1089 0574 13	• 1	Temp. sensor	
	1617 3012 00		GA 5		5140		• 1	Wiring	
	1617 3005 00		GA 7			1617 3135 00		50Hz	
4015	1617 2385 00	• 1	Rotation arrow			1617 3136 00		60Hz	
4020	0129 3115 00	• 4	Blind rivet		5150	9827 0208 24	• 1	Service diagram	
4030	1617 2996 01	• 1	Filter dryer		5180	0348 0101 13	• 4	Cable tie	

11



61781\_17



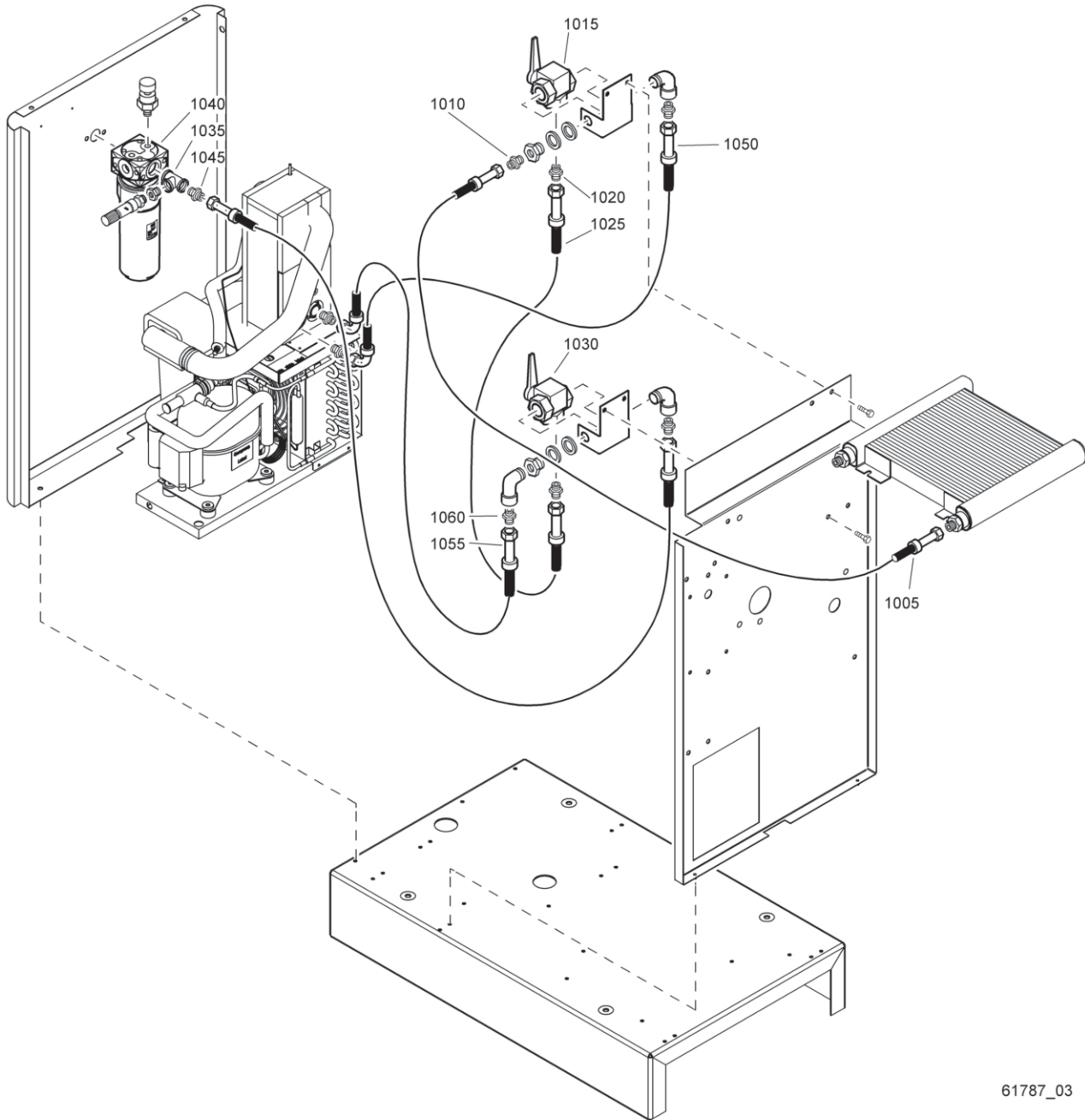
## Air dryer - GA 11

Ref.	Part number	Qty	Name	Remarks	Ref.	Part number	Qty	Name	Remarks
	<b>1617 3373 80</b>	<b>1</b>	<b>Dryer</b>		4030	1617 2996 01 •	1	Filter dryer	
			GA 11/50Hz		4050	1617 3089 80 •	1	Capillary	
	<b>1617 3373 81</b>		GA 11/60Hz		<b>4070</b>	<b>1603 1008 75 •</b>	<b>1</b>	<b>Pipe set</b>	
1010	1617 3003 02 •	1	Heat exchanger			1617 3047 01 ••	1	Hot gas bypass valve	
1080	1617 3049 80 •	1	Water separator			1619 5563 02 ••	1	Schrädervalue	
1081	0147 1322 03 •	2	Hex. Bolt		4080	1603 1900 68 •	1	Insulation set	
1082	0301 2335 00 •	2	Washer		5010		1	Refr. Compressor	
1083	0333 3127 00 •	2	Lockwasher			1617 1483 01		50Hz	
1084	1617 3294 00 •	3	Spacer			1617 1483 03		60Hz	
1090	1603 1900 64 •	1	Insulation set		5015	1088 1001 01 •	1	Warning mark	
1100	1603 1008 87 •	1	Pipe set		5020	1619 5337 03 •	4	Scr. Bolt	
2010	0581 0000 35 •	1	Straight coupling		5030	0300 8019 00 •	4	Washer	
2020	0661 1020 00 •	1	Seal washer		5040		1	Fan assy	
2030	0070 6002 05 •	AR	Plastic tube			1617 2381 81		50Hz	
2040	0070 6002 04 •	AR	Plastic tube			1617 2381 82		60Hz	
2050	0581 0000 34 •	1	Straight coupling		5050	0333 3215 00 •	4	Washer	
2060	0653 1062 00 •	1	Flat gasket		5060	0301 2318 00 •	4	Washer	
3010	1617 3004 00 •	1	Frame		5070	0147 1208 03 •	4	Hex. Bolt	
3020	1617 3111 00 •	1	Support		5080	1089 9139 02 •	1	Fan switch	
3030	1617 3117 00 •	1	Support		5085	0147 1170 03 •	2	Hex. Bolt	
3040	0266 2108 00 •	2	Nut		5090	1617 3168 00 •	1	Support	
3050	0301 2321 00 •	2	Washer		5100	0226 3256 00 •	3	Screw	
3055	0333 3220 00 •	2	Washer		5120	0301 2315 00 •	3	Washer	
3060	0129 3115 00 •	6	Blind rivet		5130	1089 0574 13 •	1	Temp. Sensor	
3070	0147 1247 00 •	4	Bolt		5140		1	Wiring	
3080	0301 2321 00 •	4	Washer			1617 3135 00		50Hz	
4010	1617 3005 00 •	1	Condensor			1617 3136 00		60Hz	
4015	1617 2385 00 •	1	Rotation arrow		5150	9827 0208 24 •	1	Service diagram	
4020	0129 3115 00 •	4	Blind rivet		5180	0348 0101 13 •	4	Cable tie	



# 12

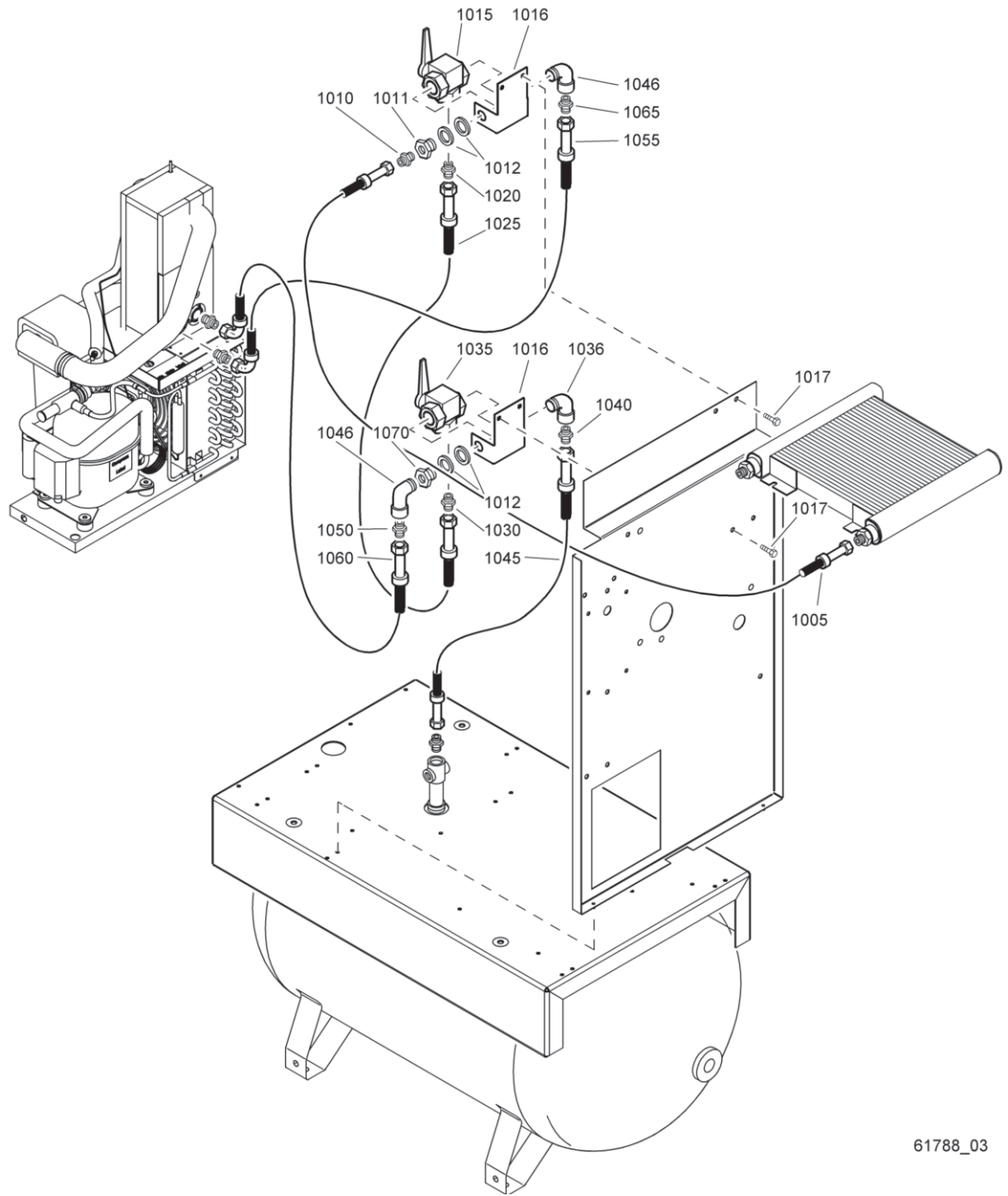
## By-pass dryer - WorkPlace Full-feature - Floor mounted



61787\_03

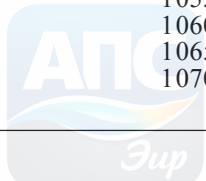
Ref.	Part number	Qty	Name	Remarks	Ref.	Part number	Qty	Name	Remarks
	<b>8092 2843 20</b>	<b>1</b>	<b>Standard option</b>		1030	1613 9086 00	• 1	Valve	
			Dryer by-pass		1035	1503 2566 13	• 1	Tee	
1005	0574 9910 12	• 1	Hose assy		1040	1613 8223 80	• 1	WSD 25	
1010	0571 0035 55	• 1	Nipple		1045	0571 0035 55	• 1	Nipple	
1015	1613 9086 00	• 1	Valve		1050	0574 9911 27	• 1	Hose assy	
1020	0571 0035 55	• 1	Nipple		1055	0574 9911 28	• 1	Hose assy	
1025	0574 9911 27	• 1	Hose assy		1060	0571 0035 55	• 1	Nipple	

**By-pass dryer - WorkPlace Full-feature - Tank mounted**

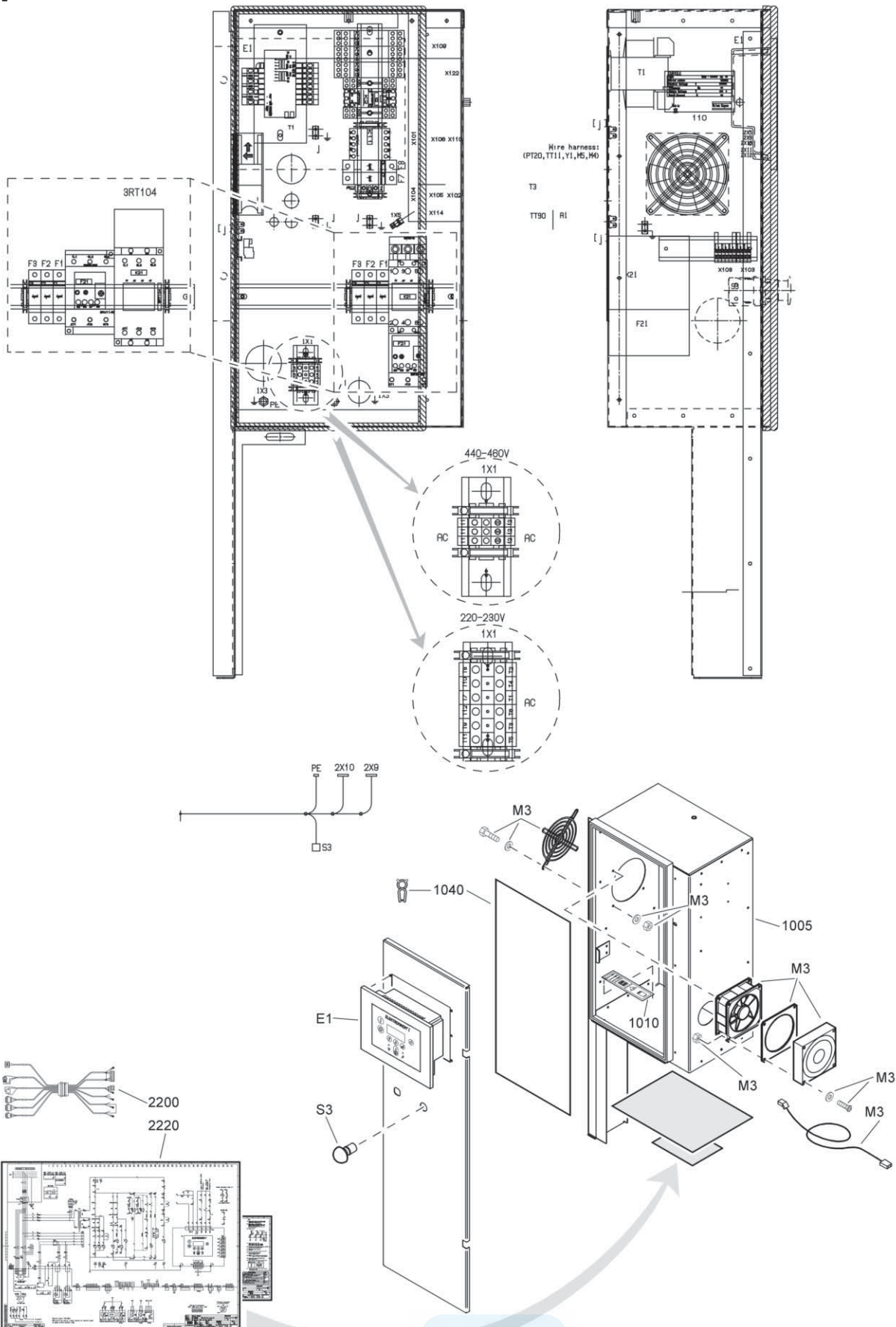


61788\_03

Ref.	Part number	Qty	Name	Remarks	Ref.	Part number	Qty	Name	Remarks
	<b>8092 2843 38</b>	<b>1</b>	<b>Standard option</b>						
			Dryer by-pass		1030	0571 0035 55	• 1	Nipple	
1005	0574 9910 12	• 1	Hose assy		1035	1613 9086 00	• 1	Valve	
1010	0571 0035 55	• 1	Nipple		1036	1503 2565 04	• 1	Elbow	
1011	1613 9029 00	• 1	Nipple		1040	0571 0035 55	• 1	Nipple	
1012	0661 1000 39	• 2	Seal washer		1045	0574 9911 27	• 1	Hose assy	
1015	1613 9086 00	• 1	Valve		1046	1503 2565 04	• 1	Elbow	
1016	1622 0888 00	• 2	Support		1050	0571 0035 55	• 1	Nipple	
1017	0147 1963 08	• 4	Hexagon bolt		1055	0574 9911 27	• 1	Hose assy	
1020	0571 0035 55	• 1	Nipple		1060	0574 9911 28	• 1	Hose assy	
1025	0574 9910 03	• 1	Hose assy		1065	0571 0035 55	• 1	Nipple	
					1070	1613 9029 00	• 1	Nipple	



# 14

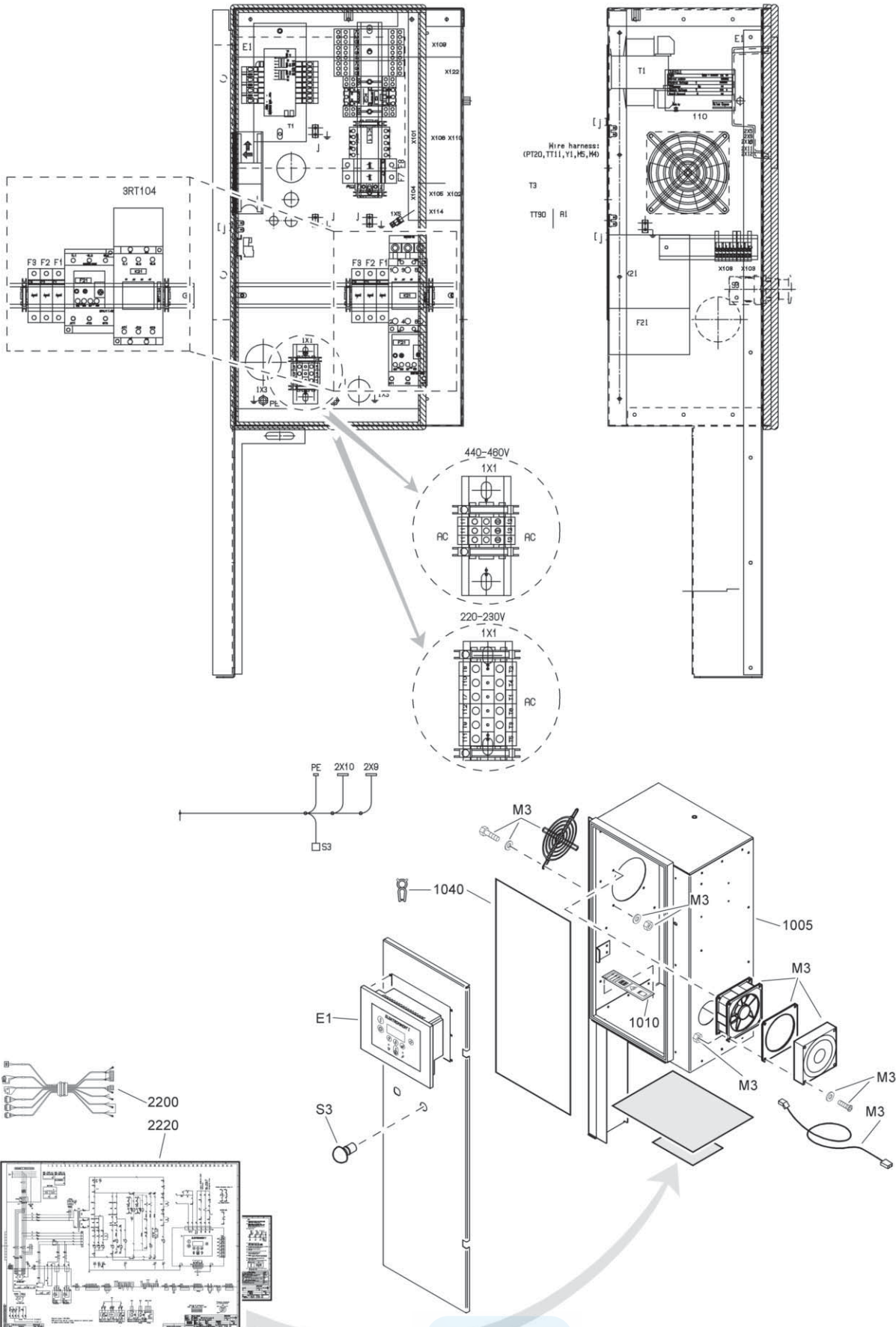


## Start cubicle - CSA/UL - Elektronikon I+

Ref.	Part number	Qty	Name	Remarks	Ref.	Part number	Qty	Name	Remarks
		1	<b>Cubicle</b>		2X10		• 1	Connector Female	
	1900 2095 71		GA 5 200V-220-230V/60Hz		1088 0031 32			1900 2095 50	
	1900 2095 52		GA 5 200V-220V-230V/60Hz		1088 0031 32			1900 2095 51	
	1900 2095 50		GA 5 440V-460V-575V/60Hz		1088 0031 32			1900 2095 52	
	1900 2095 70		GA 5 460V/60Hz		1088 0031 32			1900 2095 53	
	1900 2095 53		GA 7 200V/60Hz		1088 0031 32			1900 2095 70	
	1900 2095 71		GA 7 200V-220-230V/60Hz		1088 0031 32			1900 2095 71	
	1900 2095 52		GA 7 220V-230V/60Hz		2X9		• 1	Connector Female	
	1900 2095 51		GA 7 440V-460V/60Hz		1088 0031 06			1900 2095 50	
	1900 2095 70		GA 7 460V/60Hz		1088 0031 06			1900 2095 51	
	1900 2095 50		GA 7 575V/60Hz		1088 0031 06			1900 2095 52	
	1900 2095 71		GA 11 200V-220-230V/60Hz		1088 0031 06			1900 2095 53	
	1900 2095 53		GA 11 200V-220V-230V/60Hz		1088 0031 06			1900 2095 70	
	1900 2095 52		GA 11 440V-460V/60Hz		1088 0031 06			1900 2095 71	
	1900 2095 70		GA 11 460V/60Hz		F1-F2		• 2	Fuse Holder	
	1900 2095 51		GA 11 575V/60Hz		1089 0612 01			1900 2095 50	
-		• 2	End Bracket		1089 0612 01			1900 2095 51	
	1089 0506 30		1900 2095 50		1089 0612 01			1900 2095 52	
	1089 0506 30		1900 2095 51		1089 0612 01			1900 2095 53	
	1089 0506 30		1900 2095 52		1089 0612 01			1900 2095 70	
	1089 0506 30		1900 2095 53		1089 0612 01			1900 2095 71	
	1089 0506 30		1900 2095 70		F1-F2		• 2	Fuse Link	
	1089 0506 30		1900 2095 71		1089 9168 24			1900 2095 50	
180		• 1	Label		1089 9168 24			1900 2095 51	
	1079 9924 27		1900 2095 50		1089 9168 24			1900 2095 52	
	1079 9924 27		1900 2095 51		1089 9168 24			1900 2095 53	
	1079 9924 27		1900 2095 52		1089 9168 24			1900 2095 70	
	1079 9924 27		1900 2095 53		1089 9168 26			1900 2095 71	
	1079 9924 27		1900 2095 70		F21	0694 5285 12	• 3	Isolator Cap Female Faston 6,3x0,8	
181		• 1	Label		F21		• 1	Mounting Element	
	1079 9924 28		1900 2095 50		1089 9424 99			1900 2095 53	
	1079 9924 28		1900 2095 51		1089 9424 99			1900 2095 71	
	1079 9924 28		1900 2095 52		F21		• 1	Overload Relay	
	1079 9924 28		1900 2095 53		1089 9424 27			1900 2095 50	
	1079 9924 28		1900 2095 70		1089 9424 36			1900 2095 51	
	1079 9924 28		1900 2095 71		1089 9424 38			1900 2095 52	
1X0:L123/K21		• 1	3ph Terminal Block		1089 9424 45			1900 2095 53	
	1089 9416 05		1900 2095 50		1089 9446 60			1900 2095 70	
	1089 9416 93		1900 2095 51		1089 9424 45			1900 2095 71	
	1089 9416 93		1900 2095 52		F7-F8		• 2	Fuse Holder	
	1089 9416 93		1900 2095 70		1089 0612 01			1900 2095 50	
1X0:L123/K21		• 3	Connection Element		1089 0612 01			1900 2095 51	
	1622 1692 00		1900 2095 53		1089 0612 01			1900 2095 52	
	1622 1692 00		1900 2095 71		1089 0612 01			1900 2095 53	
1X0:L123/K21		• 1	Terminal Cover		1089 0612 01			1900 2095 70	
	1089 9362 04		1900 2095 53		1089 0612 01			1900 2095 71	
	1089 9362 04		1900 2095 71		F7-F8		• 2	Fuse Link	
1X1:T1...T12		• 2	Terminal		1089 9168 35			1900 2095 50	
	1089 0506 07		1900 2095 53		1089 9168 35			1900 2095 51	
	1089 0506 07		1900 2095 71		1089 9168 35			1900 2095 52	
1X1:T4..T9		• 1	Terminal		1089 9168 35			1900 2095 53	
	1089 0506 04		1900 2095 50		1089 9168 35			1900 2095 70	
	1089 0506 04		1900 2095 51		1089 9168 35			1900 2095 71	
	1089 0506 04		1900 2095 52		fWH		• 1	Nut	
	1089 0506 04		1900 2095 70		0697 9809 24			1900 2095 50	
1X2:N		• 1	Terminal		0697 9809 24			1900 2095 51	
	1089 0506 60		1900 2095 50		0697 9809 24			1900 2095 52	
	1089 0506 60		1900 2095 51		0697 9809 24			1900 2095 53	
	1089 0506 60		1900 2095 52		0697 9809 24			1900 2095 70	
	1089 0506 60		1900 2095 53		0697 9809 24			1900 2095 71	
	1089 0506 60		1900 2095 70						
	1089 0506 60		1900 2095 71						



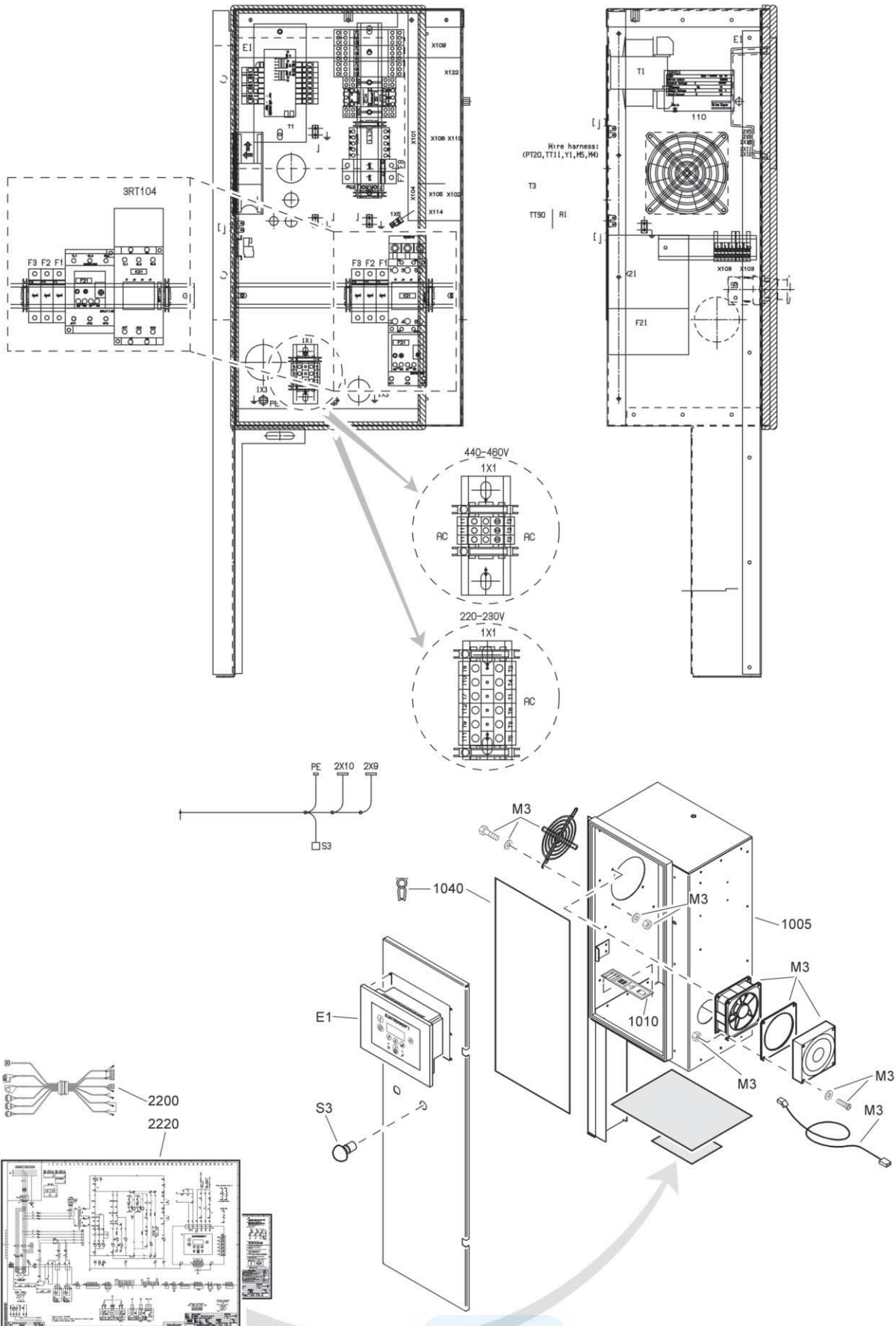
# 14



## Start cubicle - CSA/UL - Elektronikon I+

Ref.	Part number	Qty	Name	Remarks	Ref.	Part number	Qty	Name	Remarks
K2	• 1089 9511 34	1	Clip		K5	• 1089 9511 51	1	Relay	
	1089 9511 34		1900 2095 50			1089 9511 51		1900 2095 50	
	1089 9511 34		1900 2095 51			1089 9511 51		1900 2095 51	
	1089 9511 34		1900 2095 52			1089 9511 51		1900 2095 52	
	1089 9511 34		1900 2095 53			1089 9511 51		1900 2095 53	
	1089 9511 34		1900 2095 70			1089 9511 51		1900 2095 70	
	1089 9511 34		1900 2095 71			1089 9511 51		1900 2095 71	
K2	• 1089 9511 25	1	Relay		K5	• 1089 9511 12	1	Socket	
	1089 9511 25		1900 2095 50			1089 9511 12		1900 2095 50	
	1089 9511 25		1900 2095 51			1089 9511 12		1900 2095 51	
	1089 9511 25		1900 2095 52			1089 9511 12		1900 2095 52	
	1089 9511 25		1900 2095 53			1089 9511 12		1900 2095 53	
	1089 9511 25		1900 2095 70			1089 9511 12		1900 2095 70	
	1089 9511 25		1900 2095 71			1089 9511 12		1900 2095 71	
K2	• 1089 9511 29	1	Socket		L1-L2	• 0694 5285 26	2	Fast-on	
	1089 9511 29		1900 2095 50			0694 5285 26		1900 2095 50	
	1089 9511 29		1900 2095 51			0694 5285 26		1900 2095 51	
	1089 9511 29		1900 2095 52			0694 5285 26		1900 2095 52	
	1089 9511 29		1900 2095 53			0694 5285 26		1900 2095 53	
	1089 9511 29		1900 2095 70			0694 5285 26		1900 2095 70	
	1089 9511 29		1900 2095 71			0694 5285 26		1900 2095 71	
K21	• 1089 9415 07	1	Contact Block		M3	• 0147 1174 03	4	Bolt	
	1089 9415 07		1900 2095 70			0147 1174 03		1900 2095 70	
	1089 9415 07		1900 2095 71			0147 1174 03		1900 2095 71	
K21	• 1089 9415 26	1	Contact Block		M3	• 1089 0388 22	1	Fan	
	1089 9415 34		1900 2095 50			1089 0388 22		1900 2095 70	
	1089 9415 36		1900 2095 51			1089 0388 22		1900 2095 71	
	1089 9415 44		1900 2095 52		M3	• 1089 0388 31	1	Filter	
	1089 9415 34		1900 2095 53			1089 0388 31		1900 2095 70	
	1089 9415 34		1900 2095 70			1089 0388 31		1900 2095 71	
	1089 9415 44		1900 2095 71		M3	• 1089 0388 33	1	Gasket	
K21	• 0694 5285 12	3	Isolator Cap Female Faston 6,3x0,8			1089 0388 33		1900 2095 70	
	0694 5285 12		1900 2095 50		M3	• 1089 0388 34	1	Grating	
	0694 5285 12		1900 2095 51			1089 0388 34		1900 2095 70	
	0694 5285 12		1900 2095 52			1089 0388 34		1900 2095 71	
	0694 5285 12		1900 2095 70		M3	• 0266 2106 00	8	Nut	
K3	• 1089 9511 13	1	Clip			0266 2106 00		1900 2095 70	
	1089 9511 13		1900 2095 50			0266 2106 00		1900 2095 71	
	1089 9511 13		1900 2095 51		M3	• 1089 0388 12	1	Plug & Cable	
	1089 9511 13		1900 2095 52			1089 0388 12		1900 2095 70	
	1089 9511 13		1900 2095 53			1089 0388 12		1900 2095 71	
	1089 9511 13		1900 2095 70		M3	• 0162 1173 03	4	Screw	
	1089 9511 13		1900 2095 71			0162 1173 03		1900 2095 70	
K3	• 1089 9511 51	1	Relay			0162 1173 03		1900 2095 71	
	1089 9511 51		1900 2095 50		M3	• 0301 2315 00	12	Washer	
	1089 9511 51		1900 2095 51			0301 2315 00		1900 2095 70	
	1089 9511 51		1900 2095 52			0301 2315 00		1900 2095 71	
	1089 9511 51		1900 2095 53		S3	• 1089 0362 50	2	Contact Block	
	1089 9511 51		1900 2095 70			1089 0362 50		1900 2095 50	
	1089 9511 51		1900 2095 71			1089 0362 50		1900 2095 51	
K3	• 1089 9511 12	1	Socket			1089 0362 50		1900 2095 52	
	1089 9511 12		1900 2095 50			1089 0362 50		1900 2095 53	
	1089 9511 12		1900 2095 51			1089 0362 50		1900 2095 70	
	1089 9511 12		1900 2095 52			1089 0362 50		1900 2095 71	
	1089 9511 12		1900 2095 53		S3	• 1089 0362 51	1	Emergency Stop Button	
	1089 9511 12		1900 2095 70			1089 0362 51		1900 2095 50	
	1089 9511 12		1900 2095 71			1089 0362 51		1900 2095 51	
K5	• 1089 9511 13	1	Clip			1089 0362 51		1900 2095 52	
	1089 9511 13		1900 2095 50			1089 0362 51		1900 2095 53	
	1089 9511 13		1900 2095 51			1089 0362 51		1900 2095 70	
	1089 9511 13		1900 2095 52			1089 0362 51		1900 2095 71	
	1089 9511 13		1900 2095 53		1X0/K21	• 0694 5281 34	3	Cable Lug	
	1089 9511 13		1900 2095 70			0694 5281 34		1900 2095 53	
	1089 9511 13		1900 2095 71			0694 5281 34		1900 2095 71	

# 14



63476\_12

## Start cubicle - CSA/UL - Elektronikon I+

Ref.	Part number	Qty	Name	Remarks	Ref.	Part number	Qty	Name	Remarks
starter rail ends	• 2	End Bracket			X103	• 1	Connector Male		
	1089 0506 30	1900 2095 50				1088 0031 84	1900 2095 50		
	1089 0506 30	1900 2095 51				1088 0031 84	1900 2095 51		
	1089 0506 30	1900 2095 52				1088 0031 84	1900 2095 52		
	1089 0506 30	1900 2095 53				1088 0031 84	1900 2095 53		
	1089 0506 30	1900 2095 70				1088 0031 84	1900 2095 70		
	1089 0506 30	1900 2095 71				1088 0031 84	1900 2095 71		
T1	• 1	Transformer			X103-X108	• 4	Adaptor		
	1089 9436 43	1900 2095 50				1088 0031 18	1900 2095 50		
	1089 9436 43	1900 2095 51				1088 0031 18	1900 2095 51		
	1089 9436 43	1900 2095 52				1088 0031 18	1900 2095 52		
	1089 9436 43	1900 2095 53				1088 0031 18	1900 2095 53		
	1089 9436 43	1900 2095 70				1088 0031 18	1900 2095 70		
	1089 9436 44	1900 2095 71				1088 0031 18	1900 2095 71		
X101	• 1	Connector Male			X104	• 1	Connector Female		
	1088 0015 02	1900 2095 50				1088 0037 31	1900 2095 50		
	1088 0015 02	1900 2095 51				1088 0037 31	1900 2095 51		
	1088 0015 02	1900 2095 52				1088 0037 31	1900 2095 52		
	1088 0015 02	1900 2095 53				1088 0037 31	1900 2095 53		
	1088 0015 02	1900 2095 70				1088 0037 31	1900 2095 70		
	1088 0015 02	1900 2095 71				1088 0037 31	1900 2095 71		
X101	• 2	Connector Socket			X105	• 1	Connector Combi		
	1088 0015 36	1900 2095 50				1088 0031 42	1900 2095 70		
	1088 0015 36	1900 2095 51				1088 0031 42	1900 2095 71		
	1088 0015 36	1900 2095 52			X105,1X5	• 2	Connector Female		
	1088 0015 36	1900 2095 53				1088 0037 30	1900 2095 50		
	1088 0015 36	1900 2095 70				1088 0037 30	1900 2095 51		
	1088 0015 36	1900 2095 71				1088 0037 30	1900 2095 52		
X102	• 1	Connector Female				1088 0037 30	1900 2095 53		
	1089 0700 01	1900 2095 50				1088 0037 30	1900 2095 70		
	1089 0700 01	1900 2095 51				1088 0037 30	1900 2095 71		
	1089 0700 01	1900 2095 52			X106	• 1	Connector Female		
	1089 0700 01	1900 2095 53				1088 0031 22	1900 2095 50		
	1089 0700 01	1900 2095 70				1088 0031 22	1900 2095 51		
	1089 0700 01	1900 2095 71				1088 0031 22	1900 2095 52		
X102	• 1	Connector Male				1088 0031 22	1900 2095 53		
	1089 0700 02	1900 2095 50				1088 0031 22	1900 2095 70		
	1089 0700 02	1900 2095 51				1088 0031 22	1900 2095 71		
	1089 0700 02	1900 2095 52			X106	• 1	Connector Male		
	1089 0700 02	1900 2095 53				1088 0031 82	1900 2095 50		
	1089 0700 02	1900 2095 70				1088 0031 82	1900 2095 51		
	1089 0700 02	1900 2095 71				1088 0031 82	1900 2095 52		
X102	• 4	Connector Pin				1088 0031 82	1900 2095 53		
	1089 0700 03	1900 2095 50				1088 0031 82	1900 2095 70		
	1089 0700 03	1900 2095 51				1088 0031 82	1900 2095 71		
	1089 0700 03	1900 2095 52			X108	• 1	Connector Female		
	1089 0700 03	1900 2095 53				1088 0037 06	1900 2095 50		
	1089 0700 03	1900 2095 70				1088 0037 06	1900 2095 51		
	1089 0700 03	1900 2095 71				1088 0037 06	1900 2095 52		
X102	• 8	Connector Socket				1088 0037 06	1900 2095 53		
	1089 0700 04	1900 2095 50				1088 0037 06	1900 2095 70		
	1089 0700 04	1900 2095 51				1088 0037 06	1900 2095 71		
	1089 0700 04	1900 2095 52			X108	• 1	Connector Male		
	1089 0700 04	1900 2095 53				1088 0031 86	1900 2095 50		
	1089 0700 04	1900 2095 70				1088 0031 86	1900 2095 51		
	1089 0700 04	1900 2095 71				1088 0031 86	1900 2095 52		
X103	• 1	Connector Female				1088 0031 86	1900 2095 53		
	1088 0037 04	1900 2095 50				1088 0031 86	1900 2095 70		
	1088 0037 04	1900 2095 51				1088 0031 86	1900 2095 71		
	1088 0037 04	1900 2095 52							
	1088 0037 04	1900 2095 53							
	1088 0037 04	1900 2095 70							
	1088 0037 04	1900 2095 71							



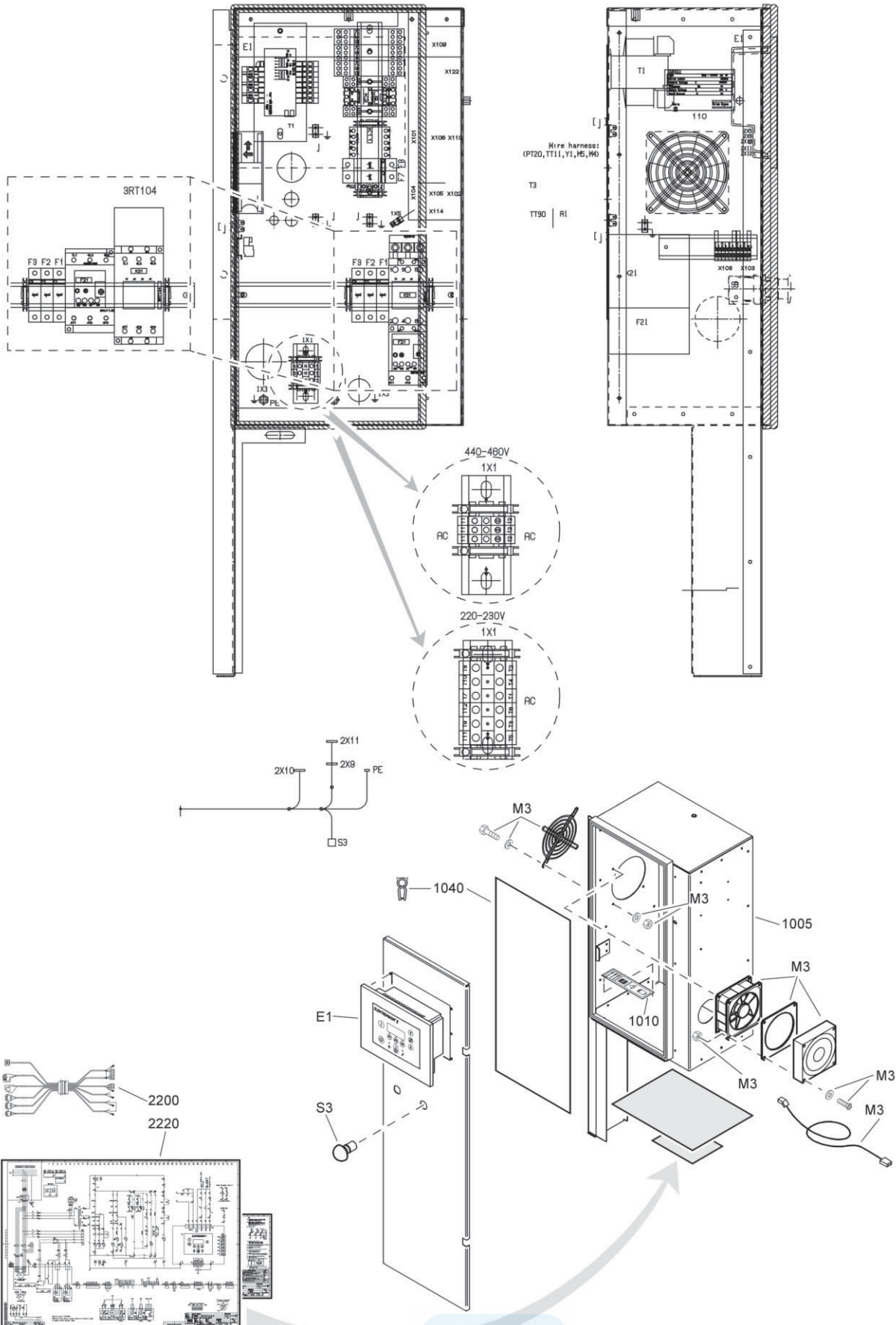


**Start cubicle - CSA/UL - Elektronikon I+**

Ref.	Part number	Qty	Name	Remarks
X110	• 1088 0031 23	1	Connector Female	
	1088 0031 23		1900 2095 50	
	1088 0031 23		1900 2095 51	
	1088 0031 23		1900 2095 52	
	1088 0031 23		1900 2095 53	
	1088 0031 23		1900 2095 70	
	1088 0031 23		1900 2095 71	
X110	• 1088 0031 83	1	Connector Male	
	1088 0031 83		1900 2095 50	
	1088 0031 83		1900 2095 51	
	1088 0031 83		1900 2095 52	
	1088 0031 83		1900 2095 53	
	1088 0031 83		1900 2095 70	
	1088 0031 83		1900 2095 71	
X114	• 1088 0015 05	1	Connector Male	
	1088 0015 05		1900 2095 50	
	1088 0015 05		1900 2095 51	
	1088 0015 05		1900 2095 52	
	1088 0015 05		1900 2095 53	
	1088 0015 05		1900 2095 70	
	1088 0015 05		1900 2095 71	
X114	• 1088 0015 36	5	Connector Socket	
	1088 0015 36		1900 2095 50	
	1088 0015 36		1900 2095 51	
	1088 0015 36		1900 2095 52	
	1088 0015 36		1900 2095 53	
	1088 0015 36		1900 2095 70	
	1088 0015 36		1900 2095 71	
X122	• 1088 0031 75	1	Connector Female	
	1088 0031 75		1900 2095 50	
	1088 0031 75		1900 2095 51	
	1088 0031 75		1900 2095 52	
	1088 0031 75		1900 2095 53	
	1088 0031 75		1900 2095 70	
	1088 0031 75		1900 2095 71	
1005	• 1622 1085 00	1	Cubicle assembly	
	1622 1117 00		No HAV	
	1622 1117 00		HAV	
1040	•• 1202 6584 00	AR	Seal	
E1	1900 0712 71	1	Regulator Elektronikon I+	
-	1622 2591 80	1	Mounting plate	
2200	1622 0873 45	1	Wire harness	
2220	9823 3598 05	1	Service diagram	



# 15

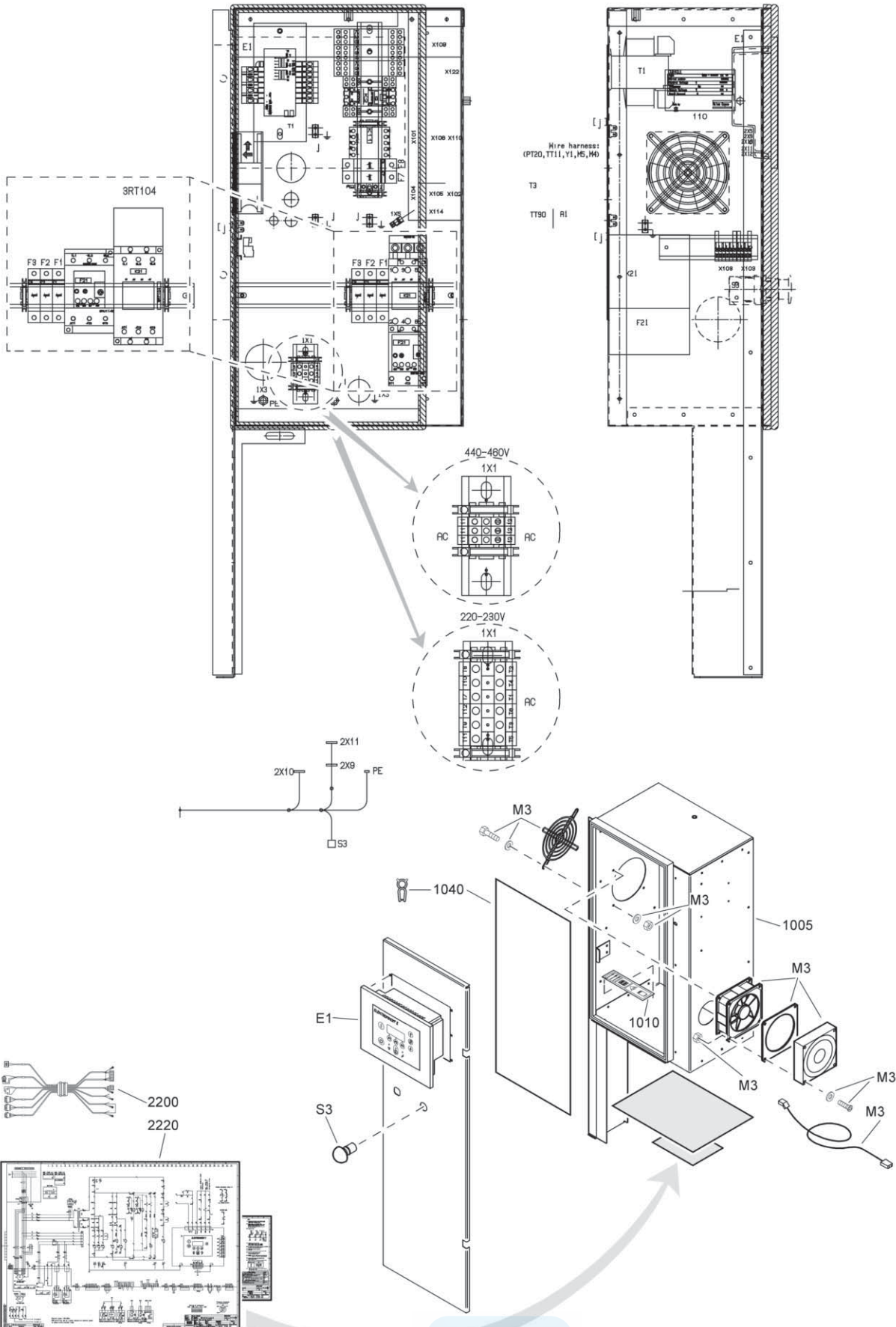


## Start cubicle - CSA/UL - Elektronikon II

Ref.	Part number	Qty	Name	Remarks	Ref.	Part number	Qty	Name	Remarks
		1	<b>Cubicle</b>		1X2:L123		3	Terminal	
	1900 2096 71		GA 5 200V-220-230V/60Hz		1089 0577 36		1	Terminal	1900 2096 71
	1900 2096 52		GA 5 200V-220V-230V/60Hz		1X2:N		1	Terminal	1900 2096 50
	1900 2096 50		GA 5 440V-460V-575V/60Hz		1089 0506 60				1900 2096 51
	1900 2096 70		GA 5 460V/60Hz		1089 0506 60				1900 2096 52
	1900 2096 53		GA 7 200V/60Hz		1089 0506 60				1900 2096 53
	1900 2096 71		GA 7 200V-220-230V/60Hz		1089 0506 60				1900 2096 54
	1900 2096 52		GA 7 220V-230V/60Hz		1089 0506 60				1900 2096 70
	1900 2096 51		GA 7 440V-460V/60Hz		1089 0506 60				1900 2096 71
	1900 2096 70		GA 7 460V/60Hz		1089 0506 60				
	1900 2096 50		GA 7 575V/60Hz		2X10		1	Connector Female	1900 2096 50
	1900 2096 71		GA 11 200V-220-230V/60Hz		1088 0031 49				1900 2096 51
	1900 2096 53		GA 11 200V-220V-230V/60Hz		1088 0031 49				1900 2096 52
	1900 2096 52		GA 11 440V-460V/60Hz		1088 0031 49				1900 2096 53
	1900 2096 70		GA 11 460V/60Hz		1088 0031 49				1900 2096 54
	1900 2096 51		GA 11 575V/60Hz		1088 0031 49				1900 2096 70
-		2	End Bracket		1088 0031 49				1900 2096 71
	1089 0506 30		1900 2096 50		2X11		1	Connector Female	1900 2096 50
	1089 0506 30		1900 2096 51		1088 0031 29				1900 2096 51
	1089 0506 30		1900 2096 52		1088 0031 29				1900 2096 52
	1089 0506 30		1900 2096 53		1088 0031 29				1900 2096 53
	1089 0506 30		1900 2096 54		1088 0031 29				1900 2096 54
	1089 0506 30		1900 2096 70		1088 0031 29				1900 2096 70
	1089 0506 30		1900 2096 71		1088 0031 29				1900 2096 71
180		1	Label		2X9		1	Connector Female	1900 2096 50
	1079 9924 27		1900 2096 50		1088 0031 13				1900 2096 51
	1079 9924 27		1900 2096 51		1088 0031 13				1900 2096 52
	1079 9924 27		1900 2096 52		1088 0031 13				1900 2096 53
	1079 9924 27		1900 2096 53		1088 0031 13				1900 2096 54
	1079 9924 27		1900 2096 54		1088 0031 13				1900 2096 70
	1079 9924 27		1900 2096 70		1088 0031 13				1900 2096 71
181		1	Label		F1-F2		2	Fuse Holder	1900 2096 50
	1079 9924 28		1900 2096 50		1089 0612 01				1900 2096 51
	1079 9924 28		1900 2096 51		1089 0612 01				1900 2096 52
	1079 9924 28		1900 2096 52		1089 0612 01				1900 2096 53
	1079 9924 28		1900 2096 53		1089 0612 01				1900 2096 54
	1079 9924 28		1900 2096 54		1089 0612 01				1900 2096 70
	1079 9924 28		1900 2096 70		1089 0612 01				1900 2096 71
	1079 9924 28		1900 2096 71		1089 0612 01				
1X0:L12/K21		1	3ph Terminal Block		F1-F2		2	Fuse Link	1900 2096 50
	1089 9416 05		1900 2096 50		1089 9168 24				1900 2096 51
	1089 9416 93		1900 2096 51		1089 9168 24				1900 2096 52
	1089 9416 93		1900 2096 52		1089 9168 24				1900 2096 53
	1089 9416 93		1900 2096 53		1089 9168 24				1900 2096 54
	1089 9416 93		1900 2096 70		1089 9168 24				1900 2096 70
1X0:L123/K21		3	Connection Element		1089 9168 26				1900 2096 71
	1622 1692 00		1900 2096 54		F21		3	Isolator Cap Female Faston	1900 2096 71
	1622 1692 00		1900 2096 71		0694 5285 12				1900 2096 71
1X0:L123/K21		1	Terminal Cover		F21		1	Mounting Element	1900 2096 54
	1089 9362 04		1900 2096 54		1089 9424 99				1900 2096 71
	1089 9362 04		1900 2096 71		1089 9424 99				
1X1:T1...T12		2	Terminal		F21		1	Overload Relay	1900 2096 50
	1089 0506 07		1900 2096 53		1089 9424 27				1900 2096 51
	1089 0506 07		1900 2096 54		1089 9424 36				1900 2096 52
	1089 0506 07		1900 2096 71		1089 9424 38				1900 2096 53
1X1:T4..T9		1	Terminal		1089 9424 38				1900 2096 54
	1089 0506 04		1900 2096 50		1089 9424 45				1900 2096 70
	1089 0506 04		1900 2096 51		1089 9446 60				1900 2096 71
	1089 0506 04		1900 2096 52		1089 9446 66				
	1089 0506 04		1900 2096 70						
1X2		1	Cover						
	1089 0577 37		1900 2096 71						



# 15



63477\_12

## Start cubicle - CSA/UL - Elektronikon II

Ref.	Part number	Qty	Name	Remarks	Ref.	Part number	Qty	Name	Remarks
F7-F8	• 2	Fuse Holder			K3	• 1	Clip		
	1089 0612 01		1900 2096 50			1089 9511 13		1900 2096 50	
	1089 0612 01		1900 2096 51			1089 9511 13		1900 2096 51	
	1089 0612 01		1900 2096 52			1089 9511 13		1900 2096 52	
	1089 0612 01		1900 2096 53			1089 9511 13		1900 2096 53	
	1089 0612 01		1900 2096 54			1089 9511 13		1900 2096 54	
	1089 0612 01		1900 2096 70			1089 9511 13		1900 2096 70	
	1089 0612 01		1900 2096 71			1089 9511 13		1900 2096 71	
F7-F8	• 2	Fuse Link			K3	• 1	Relay		
	1089 9168 35		1900 2096 50			1089 9511 51		1900 2096 50	
	1089 9168 35		1900 2096 51			1089 9511 51		1900 2096 51	
	1089 9168 35		1900 2096 52			1089 9511 51		1900 2096 52	
	1089 9168 35		1900 2096 53			1089 9511 51		1900 2096 53	
	1089 9168 35		1900 2096 54			1089 9511 51		1900 2096 54	
	1089 9168 35		1900 2096 70			1089 9511 51		1900 2096 70	
	1089 9168 35		1900 2096 71			1089 9511 51		1900 2096 71	
WH	• 1	Nut			K3	• 1	Socket		
	069 9809 24		1900 2096 50			1089 9511 12		1900 2096 50	
	0697 9809 24		1900 2096 51			1089 9511 12		1900 2096 51	
	0697 9809 24		1900 2096 52			1089 9511 12		1900 2096 52	
	0697 9809 24		1900 2096 53			1089 9511 12		1900 2096 53	
	0697 9809 24		1900 2096 54			1089 9511 12		1900 2096 54	
	0697 9809 24		1900 2096 70			1089 9511 12		1900 2096 70	
	0697 9809 24		1900 2096 71			1089 9511 12		1900 2096 71	
K2	• 1	Clip			K5	• 1	Clip		
	1089 9511 34		1900 2096 50			1089 9511 13		1900 2096 50	
	1089 9511 34		1900 2096 51			1089 9511 13		1900 2096 51	
	1089 9511 34		1900 2096 52			1089 9511 13		1900 2096 52	
	1089 9511 34		1900 2096 53			1089 9511 13		1900 2096 53	
	1089 9511 34		1900 2096 54			1089 9511 13		1900 2096 54	
	1089 9511 34		1900 2096 70			1089 9511 13		1900 2096 70	
	1089 9511 34		1900 2096 71			1089 9511 13		1900 2096 71	
K2	• 1	Relay			K5	• 1	Relay		
	1089 9511 25		1900 2096 50			1089 9511 51		1900 2096 50	
	1089 9511 25		1900 2096 51			1089 9511 51		1900 2096 51	
	1089 9511 25		1900 2096 52			1089 9511 51		1900 2096 52	
	1089 9511 25		1900 2096 53			1089 9511 51		1900 2096 53	
	1089 9511 25		1900 2096 54			1089 9511 51		1900 2096 54	
	1089 9511 25		1900 2096 70			1089 9511 51		1900 2096 70	
	1089 9511 25		1900 2096 71			1089 9511 51		1900 2096 71	
K2	• 1	Socket			K5	• 1	Socket		
	1089 9511 29		1900 2096 50			1089 9511 12		1900 2096 50	
	1089 9511 29		1900 2096 51			1089 9511 12		1900 2096 51	
	1089 9511 29		1900 2096 52			1089 9511 12		1900 2096 52	
	1089 9511 29		1900 2096 53			1089 9511 12		1900 2096 53	
	1089 9511 29		1900 2096 54			1089 9511 12		1900 2096 54	
	1089 9511 29		1900 2096 70			1089 9511 12		1900 2096 70	
	1089 9511 29		1900 2096 71			1089 9511 12		1900 2096 71	
K21	• 1	Contact Block			L1-L2	• 2	Fast-on		
	1089 9415 07		1900 2096 70			0694 5285 26		1900 2096 50	
	1089 9415 07		1900 2096 71			0694 5285 26		1900 2096 51	
K21	• 1	Contactactor				0694 5285 26		1900 2096 52	
	1089 9415 26		1900 2096 50			0694 5285 26		1900 2096 53	
	1089 9415 34		1900 2096 51			0694 5285 26		1900 2096 54	
	1089 9415 34		1900 2096 52			0694 5285 26		1900 2096 70	
	1089 9415 36		1900 2096 53			0694 5285 26		1900 2096 71	
	1089 9415 44		1900 2096 54		M3	• 4	Bolt		
	1089 9415 34		1900 2096 70			0147 1174 03		1900 2096 70	
	1089 9415 46		1900 2096 71			0147 1174 03		1900 2096 71	
K21	• 3	Isolator Cap Female Faston			M3	• 1	Fan		
	0694 5285 12		1900 2096 50			1089 0388 22		1900 2096 70	
	0694 5285 12		1900 2096 51			1089 0388 22		1900 2096 71	
	0694 5285 12		1900 2096 52		M3	• 1	Filter		
	0694 5285 12		1900 2096 53			1089 0388 31		1900 2096 70	
	0694 5285 12		1900 2096 70			1089 0388 31		1900 2096 71	



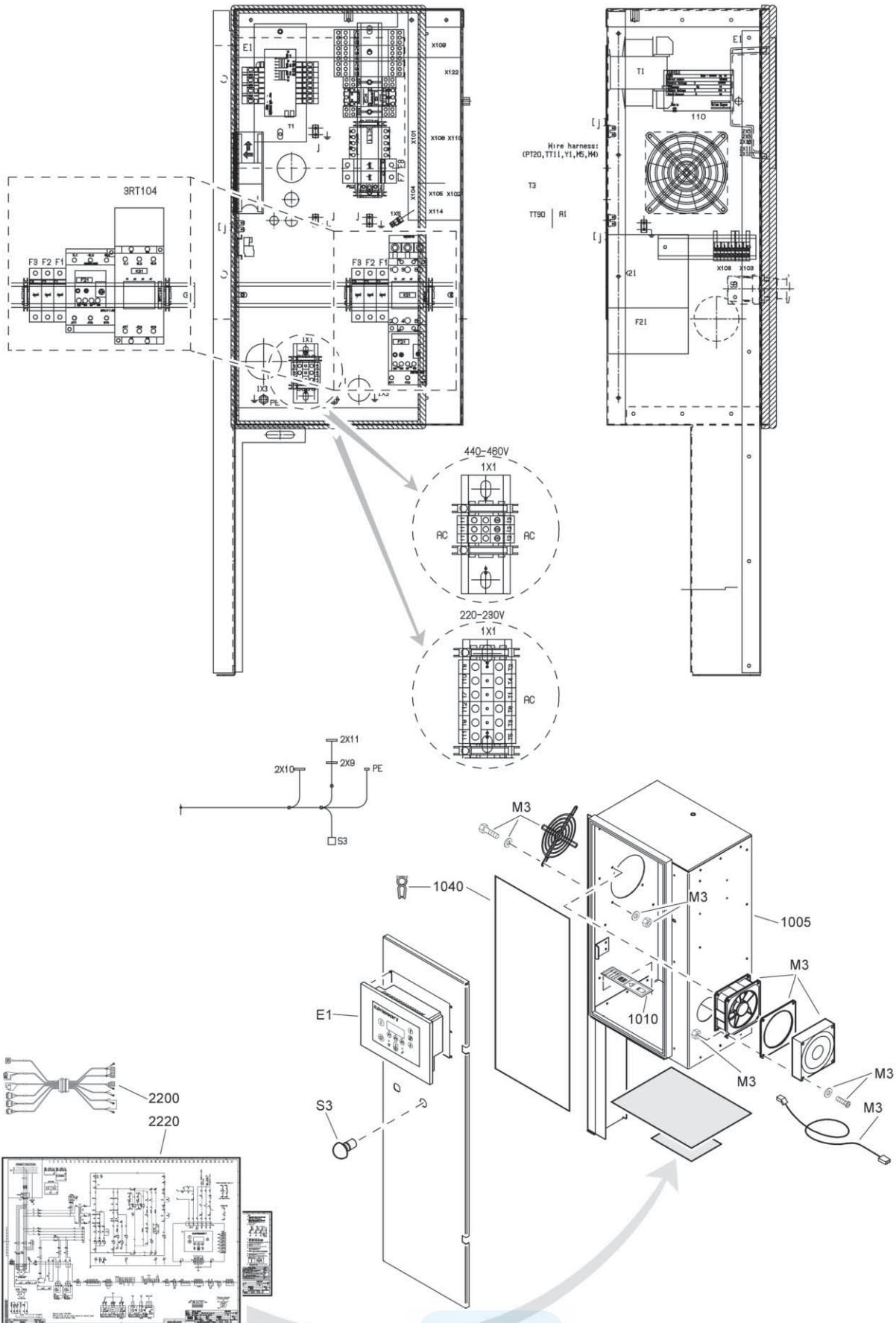


## Start cubicle - CSA/UL - Elektronikon II

Ref.	Part number	Qty	Name	Remarks	Ref.	Part number	Qty	Name	Remarks
M3	1089 0388 33	• 1	Gasket	1900 2096 70	X101	1088 0015 36	• 2	Connector Socket	1900 2096 50
	1089 0388 33			1900 2096 71		1088 0015 36			1900 2096 51
M3	1089 0388 34	• 1	Grating	1900 2096 70		1088 0015 36			1900 2096 52
	1089 0388 34			1900 2096 71		1088 0015 36			1900 2096 53
M3	0266 2106 00	• 8	Nut	1900 2096 70		1088 0015 36			1900 2096 54
	0266 2106 00			1900 2096 71		1088 0015 36			1900 2096 70
M3	1089 0388 12	• 1	Plug & Cable	1900 2096 70	X102	1089 0700 01	• 1	Connector Female	1900 2096 50
	1089 0388 12			1900 2096 71		1089 0700 01			1900 2096 51
M3	0162 1173 03	• 4	Screw	1900 2096 70		1089 0700 01			1900 2096 52
	0162 1173 03			1900 2096 71		1089 0700 01			1900 2096 53
M3	0301 2315 00	• 12	Washer	1900 2096 70		1089 0700 01			1900 2096 54
	0301 2315 00			1900 2096 71	X102	1089 0700 01	• 1	Connector Male	1900 2096 70
S3	1089 0362 50	• 2	Contact Block	1900 2096 50		1089 0700 02			1900 2096 51
	1089 0362 50			1900 2096 51		1089 0700 02			1900 2096 52
	1089 0362 50			1900 2096 52		1089 0700 02			1900 2096 53
	1089 0362 50			1900 2096 53		1089 0700 02			1900 2096 54
	1089 0362 50			1900 2096 54		1089 0700 02			1900 2096 70
	1089 0362 50			1900 2096 70		1089 0700 02			1900 2096 71
	1089 0362 50			1900 2096 71	X102	1089 0700 03	• 4	Connector Pin	1900 2096 50
S3	1089 0362 51	• 1	Emergency Stop Button	1900 2096 50		1089 0700 03			1900 2096 51
	1089 0362 51			1900 2096 51		1089 0700 03			1900 2096 52
	1089 0362 51			1900 2096 52		1089 0700 03			1900 2096 53
	1089 0362 51			1900 2096 53		1089 0700 03			1900 2096 54
	1089 0362 51			1900 2096 54		1089 0700 03			1900 2096 70
	1089 0362 51			1900 2096 70		1089 0700 03			1900 2096 71
	1089 0362 51			1900 2096 71	X102	1089 0700 04	• 8	Connector Socket	1900 2096 50
1X0/K21	0694 5281 34	• 3	Cable Lug	1900 2096 54		1089 0700 04			1900 2096 51
	0694 5281 34			1900 2096 71		1089 0700 04			1900 2096 52
starter rail ends	1089 0506 30	• 2	End Bracket	1900 2096 50		1089 0700 04			1900 2096 53
	1089 0506 30			1900 2096 51		1089 0700 04			1900 2096 54
	1089 0506 30			1900 2096 52		1089 0700 04			1900 2096 70
	1089 0506 30			1900 2096 53		1089 0700 04			1900 2096 71
	1089 0506 30			1900 2096 54	X103	1088 0037 04	• 1	Connector Female	1900 2096 50
	1089 0506 30			1900 2096 70		1088 0037 04			1900 2096 51
	1089 0506 30			1900 2096 71		1088 0037 04			1900 2096 52
T1	1089 9436 43	• 1	Transformer	1900 2096 50		1088 0037 04			1900 2096 53
	1089 9436 43			1900 2096 51		1088 0037 04			1900 2096 54
	1089 9436 43			1900 2096 52		1088 0037 04			1900 2096 70
	1089 9436 43			1900 2096 53		1088 0037 04			1900 2096 71
	1089 9436 43			1900 2096 54	X103	1088 0031 84	• 1	Connector Male	1900 2096 50
	1089 9436 43			1900 2096 70		1088 0031 84			1900 2096 51
	1089 9436 43			1900 2096 71		1088 0031 84			1900 2096 52
	1089 9436 44			1900 2096 71		1088 0031 84			1900 2096 53
X101	1088 0015 02	• 1	Connector Male	1900 2096 50		1088 0031 84			1900 2096 54
	1088 0015 02			1900 2096 51		1088 0031 84			1900 2096 70
	1088 0015 02			1900 2096 52		1088 0031 84			1900 2096 71
	1088 0015 02			1900 2096 53					
	1088 0015 02			1900 2096 54					
	1088 0015 02			1900 2096 70					
	1088 0015 02			1900 2096 71					



# 15



63477\_12

## Start cubicle - CSA/UL - Elektronikon II

Ref.	Part number	Qty	Name	Remarks	Ref.	Part number	Qty	Name	Remarks
X103-X108	• 4	Adaptor			X109	• 1	Connector Female		
	1088 0031 18		1900 2096 50			1088 0037 32		1900 2096 50	
	1088 0031 18		1900 2096 51			1088 0037 32		1900 2096 51	
	1088 0031 18		1900 2096 52			1088 0037 32		1900 2096 52	
	1088 0031 18		1900 2096 53			1088 0037 32		1900 2096 53	
	1088 0031 18		1900 2096 54			1088 0037 32		1900 2096 54	
	1088 0031 18		1900 2096 70			1088 0037 32		1900 2096 70	
	1088 0031 18		1900 2096 71			1088 0037 32		1900 2096 71	
X104	• 1	Connector Female			X110	• 1	Connector Female		
	1088 0037 31		1900 2096 50			1088 0031 23		1900 2096 50	
	1088 0037 31		1900 2096 51			1088 0031 23		1900 2096 51	
	1088 0037 31		1900 2096 52			1088 0031 23		1900 2096 52	
	1088 0037 31		1900 2096 53			1088 0031 23		1900 2096 53	
	1088 0037 31		1900 2096 54			1088 0031 23		1900 2096 54	
	1088 0037 31		1900 2096 70			1088 0031 23		1900 2096 70	
	1088 0037 31		1900 2096 71			1088 0031 23		1900 2096 71	
X105	• 1	Connector Combi			X110	• 1	Connector Male		
	1088 0031 42		1900 2096 70			1088 0031 83		1900 2096 50	
	1088 0031 42		1900 2096 71			1088 0031 83		1900 2096 51	
X105-1X5	• 2	Connector Female				1088 0031 83		1900 2096 52	
	1088 0037 30		1900 2096 50			1088 0031 83		1900 2096 53	
	1088 0037 30		1900 2096 51			1088 0031 83		1900 2096 54	
	1088 0037 30		1900 2096 52			1088 0031 83		1900 2096 70	
	1088 0037 30		1900 2096 53			1088 0031 83		1900 2096 71	
	1088 0037 30		1900 2096 54		X114	• 1	Connector Male		
	1088 0037 30		1900 2096 70			1088 0015 05		1900 2096 50	
	1088 0037 30		1900 2096 71			1088 0015 05		1900 2096 51	
X106	• 1	Connector Female				1088 0015 05		1900 2096 52	
	1088 0031 22		1900 2096 50			1088 0015 05		1900 2096 53	
	1088 0031 22		1900 2096 51			1088 0015 05		1900 2096 54	
	1088 0031 22		1900 2096 52			1088 0015 05		1900 2096 70	
	1088 0031 22		1900 2096 53			1088 0015 05		1900 2096 71	
	1088 0031 22		1900 2096 54		X114	• 5	Connector Socket		
	1088 0031 22		1900 2096 70			1088 0015 36		1900 2096 50	
	1088 0031 22		1900 2096 71			1088 0015 36		1900 2096 51	
X106	• 1	Connector Male				1088 0015 36		1900 2096 52	
	1088 0031 82		1900 2096 50			1088 0015 36		1900 2096 53	
	1088 0031 82		1900 2096 51			1088 0015 36		1900 2096 54	
	1088 0031 82		1900 2096 52			1088 0015 36		1900 2096 70	
	1088 0031 82		1900 2096 53			1088 0015 36		1900 2096 71	
	1088 0031 82		1900 2096 54		X122	• 1	Connector Female		
	1088 0031 82		1900 2096 70			1088 0031 75		1900 2096 50	
	1088 0031 82		1900 2096 71			1088 0031 75		1900 2096 51	
X108	• 1	Connector Female				1088 0031 75		1900 2096 52	
	1088 0037 06		1900 2096 50			1088 0031 75		1900 2096 53	
	1088 0037 06		1900 2096 51			1088 0031 75		1900 2096 54	
	1088 0037 06		1900 2096 52			1088 0031 75		1900 2096 70	
	1088 0037 06		1900 2096 53			1088 0031 75		1900 2096 71	
	1088 0037 06		1900 2096 54						
	1088 0037 06		1900 2096 70		1005	• 1	<b>Cubicle assembly</b>		
	1088 0037 06		1900 2096 71			1622 1085 00		No HAV	
X108	• 1	Connector Male				1622 1117 00		HAV	
	1088 0031 86		1900 2096 50		1040	1202 6584 00	••	AR	Seal
	1088 0031 86		1900 2096 51		E1	1900 0710 12	1	Regulator Elektronikon II	
	1088 0031 86		1900 2096 52		-	1622 2591 80	1	Mounting plate	
	1088 0031 86		1900 2096 53		2200	1622 0873 46	1	Wire harness	
	1088 0031 86		1900 2096 54		2220	9823 3598 15	1	Service diagram	
	1088 0031 86		1900 2096 70						
	1088 0031 86		1900 2096 71						





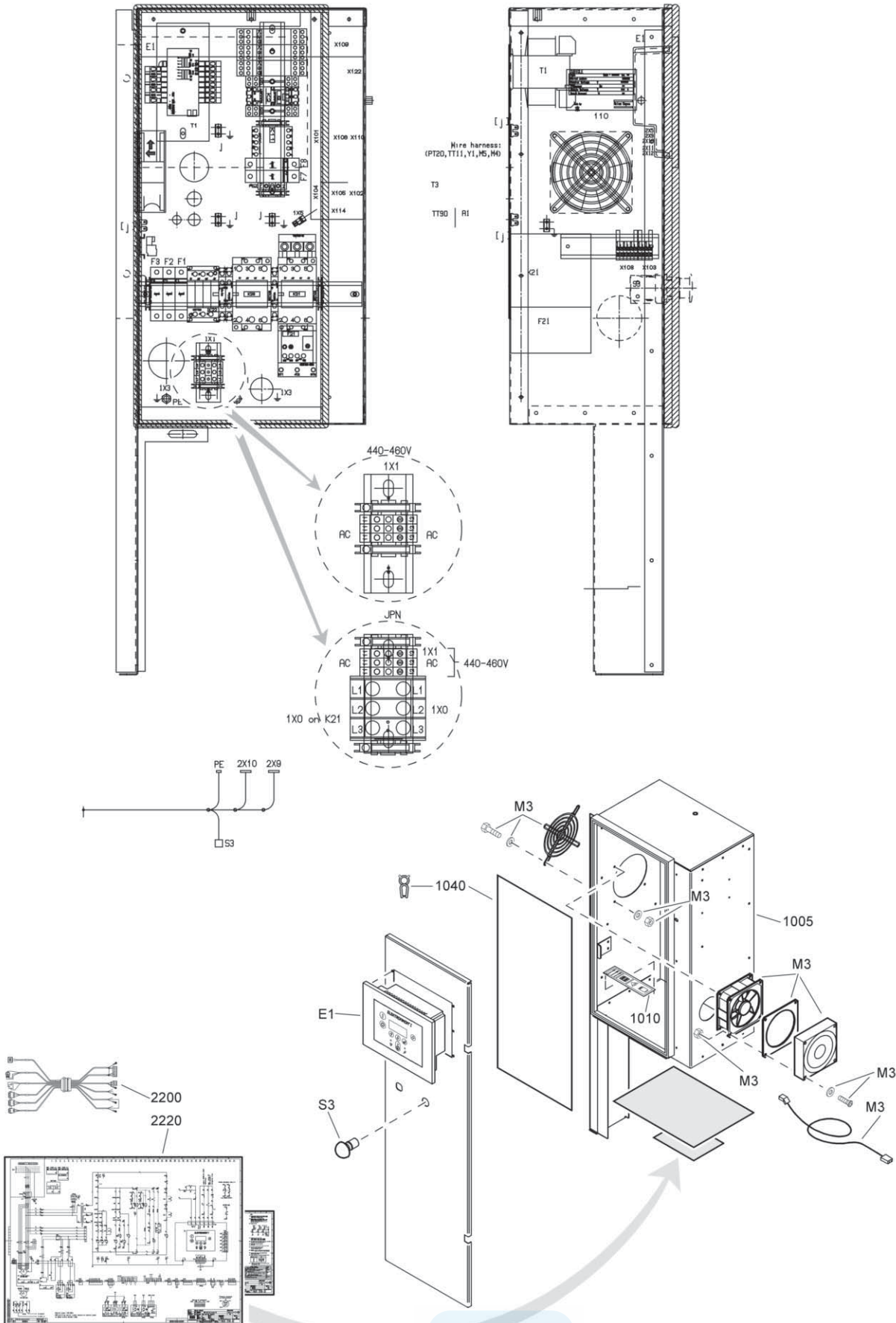
## Start cubicle - IEC - Elektronikon I+

16

Ref.	Part number	Qty	Name	Remarks	Ref.	Part number	Qty	Name	Remarks
		1	<b>Cubicle</b>		1X0:L123-JPN				2Barrier
1900 2095 05			GA 5 200V-220V-230V/ 50-60Hz		1089 9398 07			1900 2095 10	
1900 2095 04			GA 5 380V/60Hz		1089 9398 07			1900 2095 11	
1900 2095 03			GA 5 380V-500V/50Hz 440V- 460V/60Hz		1089 9398 07			1900 2095 12	
1900 2095 01			GA 5 400V/50Hz		1X0:L123-JPN			1900 2095 10	1 Endsection
1900 2095 20			GA 5 HAV 380V-460V/60Hz		1089 9398 06			1900 2095 11	
1900 2095 20			GA 5 HAV 400V/50Hz		1089 9398 06			1900 2095 12	
1900 2095 21			GA 5 HAV IP54 200V-230V/ 50-60Hz		1X0:L12-JPN	•	3	Terminal	
1900 2095 11			GA 5 JPN 200V/50-60Hz		1089 9398 05			1900 2095 10	
1900 2095 10			GA 5 JPN 380-400V/50Hz		1089 9398 05			1900 2095 11	
1900 2095 10			GA 5 JPN 380V-460V/50Hz		1089 9398 05			1900 2095 12	
1900 2095 10			GA 5 JPN 380V-460V/60Hz		1X0:L123-JPN	•	1	Name Cover	
1900 2095 07			GA 7 200V-230V/50Hz		1089 9398 08			1900 2095 10	
1900 2095 05			GA 7 380V/60Hz		1089 9398 08			1900 2095 11	
1900 2095 04			GA 7 380V-500V/50Hz		1089 9398 08			1900 2095 12	
1900 2095 01			GA 7 400V/50Hz		1X0:L123/K21	•	1	3ph Terminal Block	
1900 2095 22			GA 7 HAV 200V-230V/ 50-60Hz		1089 9416 05			1900 2095 02	
1900 2095 20			GA 7 HAV 400V/50Hz		1089 9416 05			1900 2095 05	
1900 2095 20			GA 7 HAV 500V/50Hz		1089 9416 05			1900 2095 06	
1900 2095 21			GA 7 HAV IP54 380V/60Hz		1089 9416 05			1900 2095 07	
1900 2095 12			GA 7 JPN 200-230V/50-60Hz		1089 9416 93			1900 2095 08	
1900 2095 10			GA 7 JPN 380-400V/50Hz		1089 9416 93			1900 2095 11	
1900 2095 11			GA 7 JPN 380V/60Hz		1089 9416 93			1900 2095 12	
1900 2095 10			GA 7 JPN 460V/60Hz		1089 9416 05			1900 2095 21	
1900 2095 08			GA 11 200V-230V/50Hz		1089 9416 93			1900 2095 22	
1900 2095 06			GA 11 380V/50Hz		1X0:L123/K21	•	1	Supply Terminal	
1900 2095 07			GA 11 380V/60Hz		1089 9415 88			1900 2095 01	
1900 2095 02			GA 11 400V/50Hz		1089 9415 88			1900 2095 03	
1900 2095 05			GA 11 500V/50Hz		1089 9415 88			1900 2095 04	
1900 2095 22			GA 11 HAV 200V-230V-400V/ 50Hz 230V-380V-460V/60Hz		1089 9415 88			1900 2095 10	
1900 2095 21			GA 11 HAV IP54 500V/50Hz		1089 9415 88			1900 2095 20	
1900 2095 12			GA 11 JPN 200-380-400V/ 50Hz 200-230V-380V-460V/ 60Hz		1X1:T4..T9	•		Terminal	
		•	2	End Bracket	1089 0506 04		1	1900 2095 03	
1089 0506 30			1900 2095 01		1089 0506 04		1	1900 2095 04	
1089 0506 30			1900 2095 02		1089 0506 04		1	1900 2095 06	
1089 0506 30			1900 2095 03		1089 0506 04		1	1900 2095 10	
1089 0506 30			1900 2095 04		1089 0506 09		3	1900 2095 10	
1089 0506 30			1900 2095 05		1089 0506 09		3	1900 2095 12	
1089 0506 30			1900 2095 06		1089 0506 04		1	1900 2095 20	
1089 0506 30			1900 2095 07		1089 0506 04		1	1900 2095 22	
1089 0506 30			1900 2095 08		1X2:N	•	1	Terminal	
1089 0506 30			1900 2095 10		1089 0506 60			1900 2095 01	
1089 0506 30			1900 2095 11		1089 0506 60			1900 2095 02	
1089 0506 30			1900 2095 12		1089 0506 60			1900 2095 03	
1089 0506 30			1900 2095 20		1089 0506 60			1900 2095 04	
1089 0506 30			1900 2095 21		1089 0506 60			1900 2095 05	
1089 0506 30			1900 2095 22		1089 0506 60			1900 2095 06	
					1089 0506 60			1900 2095 07	
					1089 0506 60			1900 2095 08	
					1089 0506 60			1900 2095 10	
					1089 0506 60			1900 2095 11	
					1089 0506 60			1900 2095 12	
					1089 0506 60			1900 2095 20	
					1089 0506 60			1900 2095 21	
					1089 0506 60			1900 2095 22	



# 16



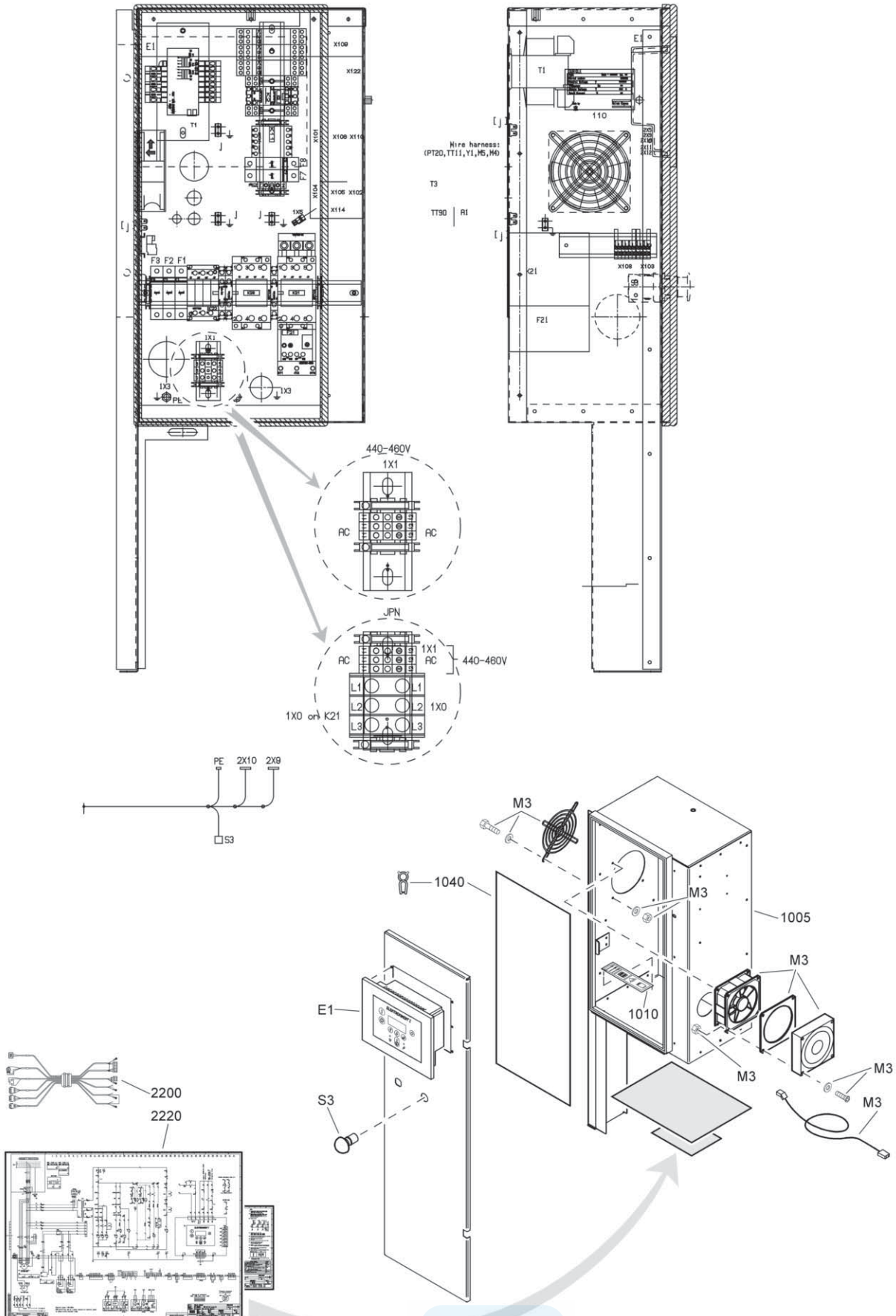
63474\_12

## Start cubicle - IEC - Elektronikon I+

Ref.	Part number	Qty	Name	Remarks	Ref.	Part number	Qty	Name	Remarks
2X10	• 1	1	Connector Female			1089 9424 28		1900 2095 05	
	1088 0031 32		1900 2095 01			1089 9424 28		1900 2095 06	
	1088 0031 32		1900 2095 02			1089 9424 29		1900 2095 07	
	1088 0031 32		1900 2095 03			1089 9424 38		1900 2095 08	
	1088 0031 32		1900 2095 04			1089 9424 18		1900 2095 10	
	1088 0031 32		1900 2095 05			1089 9424 28		1900 2095 11	
	1088 0031 32		1900 2095 06			1089 9446 61		1900 2095 12	
	1088 0031 32		1900 2095 07			1089 9424 18		1900 2095 20	
	1088 0031 32		1900 2095 08			1089 9424 28		1900 2095 21	
	1088 0031 32		1900 2095 10			1089 9446 61		1900 2095 22	
	1088 0031 32		1900 2095 11		F7-F8	• 2		Fuse	
	1088 0031 32		1900 2095 12			1089 0612 26		1900 2095 01	
	1088 0031 32		1900 2095 20			1089 0612 01		1900 2095 01	
	1088 0031 32		1900 2095 21			1089 0612 26		1900 2095 02	
	1088 0031 32		1900 2095 22			1089 0612 01		1900 2095 02	
2X9	• 1	1	Connector Female			1089 0612 26		1900 2095 03	
	1088 0031 06		1900 2095 01			1089 0612 01		1900 2095 03	
	1088 0031 06		1900 2095 02			1089 0612 26		1900 2095 04	
	1088 0031 06		1900 2095 03			1089 0612 01		1900 2095 04	
	1088 0031 06		1900 2095 04			1089 0612 26		1900 2095 05	
	1088 0031 06		1900 2095 05			1089 0612 01		1900 2095 05	
	1088 0031 06		1900 2095 06			1089 0612 01		1900 2095 06	
	1088 0031 06		1900 2095 07			1089 0612 26		1900 2095 06	
	1088 0031 06		1900 2095 08			1089 0612 26		1900 2095 07	
	1088 0031 06		1900 2095 10			1089 0612 01		1900 2095 07	
	1088 0031 06		1900 2095 11			1089 0612 26		1900 2095 08	
	1088 0031 06		1900 2095 12			1089 0612 01		1900 2095 08	
	1088 0031 06		1900 2095 20			1089 0612 26		1900 2095 10	
	1088 0031 06		1900 2095 21			1089 0612 01		1900 2095 10	
	1088 0031 06		1900 2095 22			1089 0612 26		1900 2095 11	
F1-F2	• 2	2	Fuse			1089 0612 01		1900 2095 11	
	1089 0612 23		1900 2095 01			1089 0612 26		1900 2095 12	
	1089 0612 01		1900 2095 01			1089 0612 01		1900 2095 12	
	1089 0612 23		1900 2095 02			1089 0612 26		1900 2095 20	
	1089 0612 01		1900 2095 02			1089 0612 01		1900 2095 20	
	1089 0612 23		1900 2095 03			1089 0612 26		1900 2095 21	
	1089 0612 01		1900 2095 03			1089 0612 01		1900 2095 21	
	1089 0612 23		1900 2095 04			1089 0612 26		1900 2095 22	
	1089 0612 01		1900 2095 04			1089 0612 01		1900 2095 22	
	1089 0612 23		1900 2095 05		WH	• 1		Nut	
	1089 0612 01		1900 2095 05			0697 9809 24		1900 2095 01	
	1089 0612 01		1900 2095 06			0697 9809 24		1900 2095 02	
	1089 0612 23		1900 2095 06			0697 9809 24		1900 2095 03	
	1089 0612 23		1900 2095 07			0697 9809 24		1900 2095 04	
	1089 0612 01		1900 2095 07			0697 9809 24		1900 2095 05	
	1089 0612 23		1900 2095 08			0697 9809 24		1900 2095 06	
	1089 0612 01		1900 2095 08			0697 9809 24		1900 2095 07	
	1089 0612 23		1900 2095 10			0697 9809 24		1900 2095 08	
	1089 0612 01		1900 2095 10			0697 9809 24		1900 2095 10	
	1089 0612 23		1900 2095 11			0697 9809 24		1900 2095 11	
	1089 0612 01		1900 2095 11			0697 9809 24		1900 2095 12	
	1089 0612 23		1900 2095 12			0697 9809 24		1900 2095 20	
	1089 0612 01		1900 2095 12			0697 9809 24		1900 2095 21	
	1089 0612 23		1900 2095 20			0697 9809 24		1900 2095 22	
	1089 0612 01		1900 2095 20		K2	• 1		Clip	
	1089 0612 23		1900 2095 21			1089 9511 34		1900 2095 01	
	1089 0612 01		1900 2095 21			1089 9511 34		1900 2095 02	
	1089 0612 23		1900 2095 22			1089 9511 34		1900 2095 03	
	1089 0612 01		1900 2095 22			1089 9511 34		1900 2095 04	
F21	• 1	1	Overload Relay			1089 9511 34		1900 2095 05	
	1089 9424 18		1900 2095 01			1089 9511 34		1900 2095 06	
	1089 9424 28		1900 2095 02			1089 9511 34		1900 2095 07	
	1089 9424 17		1900 2095 03			1089 9511 34		1900 2095 08	
	1089 9424 18		1900 2095 04			1089 9511 34		1900 2095 10	



# 16



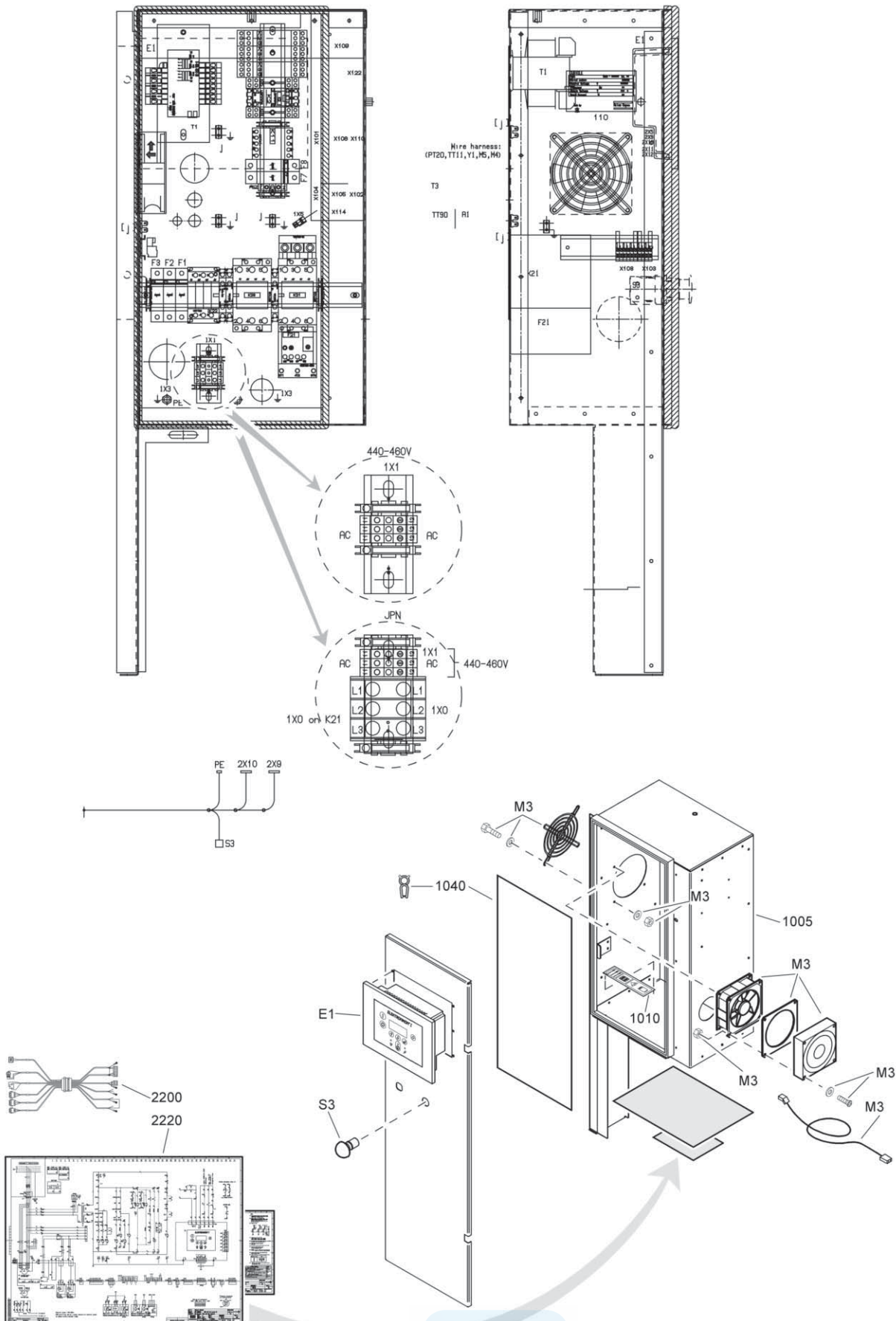
63474\_12

## Start cubicle - IEC - Elektronikon I+

Ref.	Part number	Qty	Name	Remarks	Ref.	Part number	Qty	Name	Remarks
	1089 9511 34		1900 2095 11			1089 9415 34		1900 2095 12	
	1089 9511 34		1900 2095 12			1089 9415 24		1900 2095 21	
	1089 9511 34		1900 2095 20			1089 9415 34		1900 2095 22	
	1089 9511 34		1900 2095 21		K22		• 1	Contact Block	
K2	1089 9511 34	• 1	1900 2095 22	Relay		1089 9438 34		1900 2095 01	
	1089 9511 25		1900 2095 01			1089 9438 34		1900 2095 02	
	1089 9511 25		1900 2095 02			1089 9438 34		1900 2095 03	
	1089 9511 25		1900 2095 03			1089 9438 34		1900 2095 04	
	1089 9511 25		1900 2095 04			1089 9438 34		1900 2095 05	
	1089 9511 25		1900 2095 05			1089 9438 34		1900 2095 06	
	1089 9511 25		1900 2095 06			1089 9415 09		1900 2095 07	
	1089 9511 25		1900 2095 07			1089 9415 09		1900 2095 08	
	1089 9511 25		1900 2095 08			1089 9438 34		1900 2095 10	
	1089 9511 25		1900 2095 10			1089 9438 34		1900 2095 11	
	1089 9511 25		1900 2095 11			1089 9415 09		1900 2095 12	
	1089 9511 25		1900 2095 11			1089 9438 34		1900 2095 20	
	1089 9511 25		1900 2095 12			1089 9438 34		1900 2095 21	
	1089 9511 25		1900 2095 20			1089 9415 09		1900 2095 22	
	1089 9511 25		1900 2095 21		K22		• 1	Contactactor	
	1089 9511 25		1900 2095 22			1089 9415 14		1900 2095 02	
K2		• 1	Socket			1089 9415 14		1900 2095 05	
	1089 9511 29		1900 2095 01			1089 9415 14		1900 2095 06	
	1089 9511 29		1900 2095 02			1089 9415 24		1900 2095 07	
	1089 9511 29		1900 2095 03			1089 9415 26		1900 2095 08	
	1089 9511 29		1900 2095 04			1089 9415 14		1900 2095 11	
	1089 9511 29		1900 2095 05			1089 9415 26		1900 2095 12	
	1089 9511 29		1900 2095 06			1089 9415 14		1900 2095 21	
	1089 9511 29		1900 2095 07			1089 9415 26		1900 2095 22	
	1089 9511 29		1900 2095 08		K22-K23		• 9	Isolator Cap Female Faston	
	1089 9511 29		1900 2095 10			0694 5285 12		1900 2095 05	
	1089 9511 29		1900 2095 11			0694 5285 12		1900 2095 07	
	1089 9511 29		1900 2095 12			0694 5285 12		1900 2095 08	
	1089 9511 29		1900 2095 20			0694 5285 12		1900 2095 11	
	1089 9511 29		1900 2095 21			0694 5285 12		1900 2095 12	
	1089 9511 29		1900 2095 21			0694 5285 12		1900 2095 21	
	1089 9511 29		1900 2095 22			0694 5285 12		1900 2095 22	
K21		• 1	Contact Block		K23		• 1	Contact Block	
	1089 9438 35		1900 2095 01			1089 9438 36		1900 2095 01	
	1089 9415 55		1900 2095 02			1089 9415 56		1900 2095 02	
	1089 9438 35		1900 2095 03			1089 9438 36		1900 2095 03	
	1089 9438 35		1900 2095 04			1089 9438 36		1900 2095 04	
	1089 9415 55		1900 2095 05			1089 9438 36		1900 2095 05	
	1089 9415 55		1900 2095 06			1089 9415 56		1900 2095 06	
	1089 9415 55		1900 2095 07			1089 9415 56		1900 2095 07	
	1089 9415 55		1900 2095 08			1089 9415 56		1900 2095 08	
	1089 9438 35		1900 2095 10			1089 9415 56		1900 2095 10	
	1089 9415 55		1900 2095 11			1089 9438 36		1900 2095 11	
	1089 9415 55		1900 2095 12			1089 9415 56		1900 2095 12	
	1089 9438 35		1900 2095 20			1089 9415 56		1900 2095 20	
	1089 9415 55		1900 2095 21			1089 9438 36		1900 2095 21	
	1089 9415 07		1900 2095 21			1089 9415 56		1900 2095 21	
	1089 9415 55		1900 2095 22			1089 9415 56		1900 2095 22	
	1089 9415 07		1900 2095 22		K23		•	Isolator Cap Female Faston	
K21-K22-K23		• 3	Contactactor			0694 5285 12	1	1900 2095 01	
	1089 9415 14		1900 2095 01			0694 5285 12	6	1900 2095 02	
	1089 9415 14		1900 2095 03			0694 5285 12	1	1900 2095 03	
	1089 9415 14		1900 2095 04			0694 5285 12	1	1900 2095 04	
	1089 9415 14		1900 2095 10			0694 5285 12	6	1900 2095 06	
	1089 9415 14		1900 2095 20			0694 5285 12	1	1900 2095 10	
K21-K23		• 2	Contactactor			0694 5285 12	1	1900 2095 20	
	1089 9415 26		1900 2095 02		K3		• 1	Clip	
	1089 9415 24		1900 2095 05			1089 9511 13		1900 2095 01	
	1089 9415 26		1900 2095 06			1089 9511 13		1900 2095 02	
	1089 9415 26		1900 2095 07			1089 9511 13		1900 2095 03	
	1089 9415 34		1900 2095 08			1089 9511 13		1900 2095 04	
	1089 9415 24		1900 2095 11			1089 9511 13		1900 2095 05	



# 16

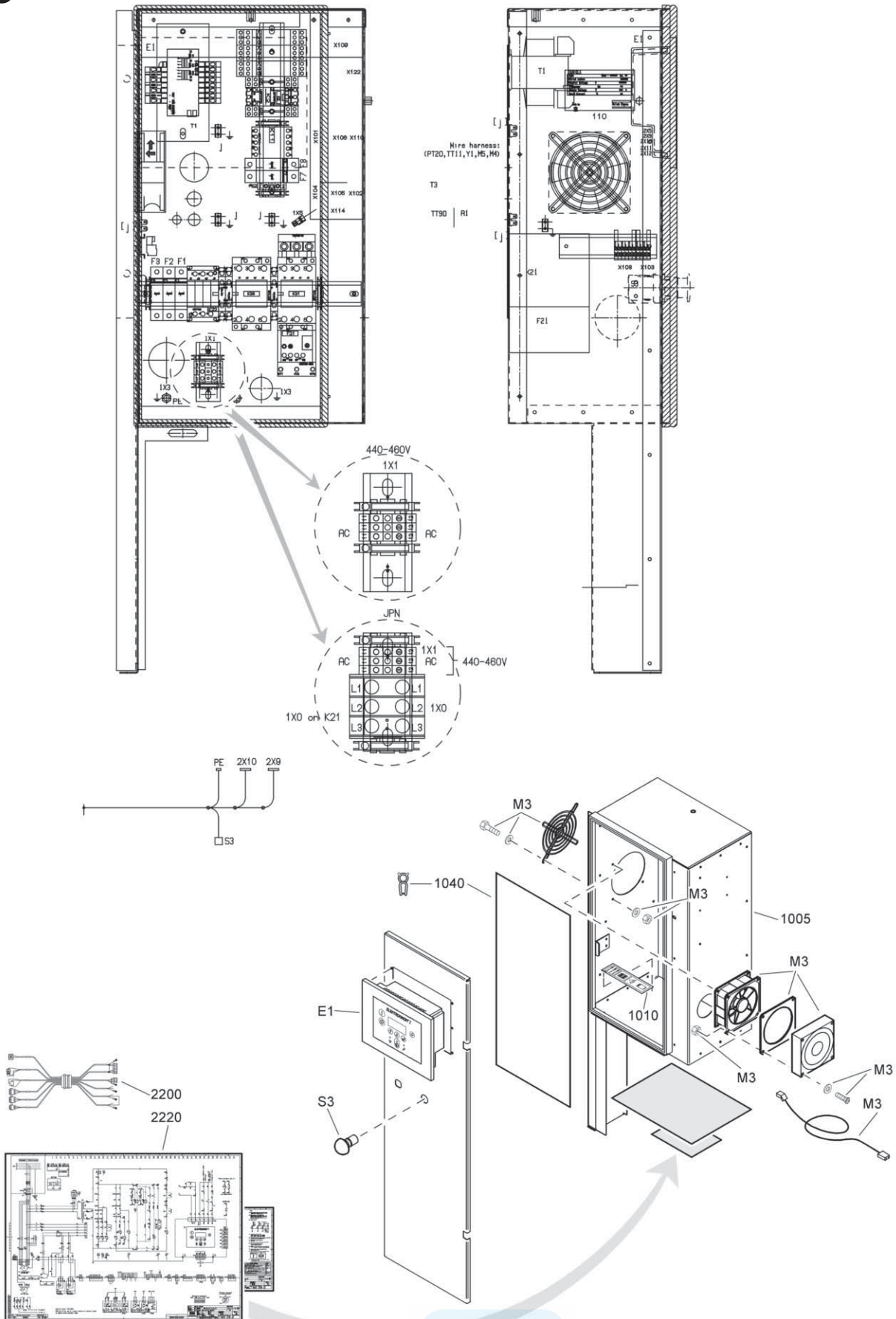


## Start cubicle - IEC - Elektronikon I+

Ref.	Part number	Qty	Name	Remarks	Ref.	Part number	Qty	Name	Remarks
	1089 9511 13		1900 2095 06			1089 9511 51		1900 2095 11	
	1089 9511 13		1900 2095 07			1089 9511 51		1900 2095 12	
	1089 9511 13		1900 2095 08			1089 9511 51		1900 2095 20	
	1089 9511 13		1900 2095 10			1089 9511 51		1900 2095 21	
	1089 9511 13		1900 2095 11			1089 9511 51		1900 2095 22	
	1089 9511 13		1900 2095 12		K5		• 1	Socket	
	1089 9511 13		1900 2095 20			1089 9511 12		1900 2095 01	
	1089 9511 13		1900 2095 21			1089 9511 12		1900 2095 02	
	1089 9511 13		1900 2095 22			1089 9511 12		1900 2095 03	
K3		• 1	Relay			1089 9511 12		1900 2095 04	
	1089 9511 51		1900 2095 01			1089 9511 12		1900 2095 05	
	1089 9511 51		1900 2095 02			1089 9511 12		1900 2095 06	
	1089 9511 51		1900 2095 03			1089 9511 12		1900 2095 07	
	1089 9511 51		1900 2095 04			1089 9511 12		1900 2095 08	
	1089 9511 51		1900 2095 05			1089 9511 12		1900 2095 10	
	1089 9511 51		1900 2095 06			1089 9511 12		1900 2095 11	
	1089 9511 51		1900 2095 07			1089 9511 12		1900 2095 12	
	1089 9511 51		1900 2095 08			1089 9511 12		1900 2095 20	
	1089 9511 51		1900 2095 10			1089 9511 12		1900 2095 21	
	1089 9511 51		1900 2095 11			1089 9511 12		1900 2095 22	
	1089 9511 51		1900 2095 12		L1-L2		• 2	Fast-on	
	1089 9511 51		1900 2095 20			0694 5285 26		1900 2095 01	
	1089 9511 51		1900 2095 21			0694 5285 26		1900 2095 02	
	1089 9511 51		1900 2095 22			0694 5285 26		1900 2095 03	
K3		• 1	Socket			0694 5285 26		1900 2095 04	
	1089 9511 12		1900 2095 01			0694 5285 26		1900 2095 05	
	1089 9511 12		1900 2095 02			0694 5285 26		1900 2095 06	
	1089 9511 12		1900 2095 03			0694 5285 26		1900 2095 07	
	1089 9511 12		1900 2095 04			0694 5285 26		1900 2095 08	
	1089 9511 12		1900 2095 05			0694 5285 26		1900 2095 10	
	1089 9511 12		1900 2095 06			0694 5285 26		1900 2095 11	
	1089 9511 12		1900 2095 07			0694 5285 26		1900 2095 12	
	1089 9511 12		1900 2095 08			0694 5285 26		1900 2095 20	
	1089 9511 12		1900 2095 10			0694 5285 26		1900 2095 21	
	1089 9511 12		1900 2095 11			0694 5285 26		1900 2095 22	
	1089 9511 12		1900 2095 12		M3		• 4	Bolt	
	1089 9511 12		1900 2095 20			0147 1174 03		1900 2095 20	
	1089 9511 12		1900 2095 21			0147 1174 03		1900 2095 21	
	1089 9511 12		1900 2095 22			0147 1174 03		1900 2095 22	
K5		• 1	Clip		M3		• 1	Fan	
	1089 9511 13		1900 2095 01			1089 0388 22		1900 2095 20	
	1089 9511 13		1900 2095 02			1089 0388 22		1900 2095 21	
	1089 9511 13		1900 2095 03			1089 0388 22		1900 2095 22	
	1089 9511 13		1900 2095 04		M3		• 1	Filter	
	1089 9511 13		1900 2095 05			1089 0388 31		1900 2095 20	
	1089 9511 13		1900 2095 06			1089 0388 31		1900 2095 21	
	1089 9511 13		1900 2095 07			1089 0388 31		1900 2095 22	
	1089 9511 13		1900 2095 08		M3		• 1	Gasket	
	1089 9511 13		1900 2095 10			1089 0388 33		1900 2095 20	
	1089 9511 13		1900 2095 11			1089 0388 33		1900 2095 21	
	1089 9511 13		1900 2095 12			1089 0388 33		1900 2095 22	
	1089 9511 13		1900 2095 20		M3		• 1	Grating	
	1089 9511 13		1900 2095 21			1089 0388 34		1900 2095 20	
	1089 9511 13		1900 2095 22			1089 0388 34		1900 2095 21	
K5		• 1	Relay			1089 0388 34		1900 2095 22	
	1089 9511 51		1900 2095 01		M3		• 8	Nut	
	1089 9511 51		1900 2095 02			0266 2106 00		1900 2095 20	
	1089 9511 51		1900 2095 03			0266 2106 00		1900 2095 21	
	1089 9511 51		1900 2095 04			0266 2106 00		1900 2095 22	
	1089 9511 51		1900 2095 05		M3		• 1	Plug & Cable	
	1089 9511 51		1900 2095 06			1089 0388 12		1900 2095 20	
	1089 9511 51		1900 2095 07			1089 0388 12		1900 2095 21	
	1089 9511 51		1900 2095 08			1089 0388 12		1900 2095 22	
	1089 9511 51		1900 2095 10						



# 16



63474\_12

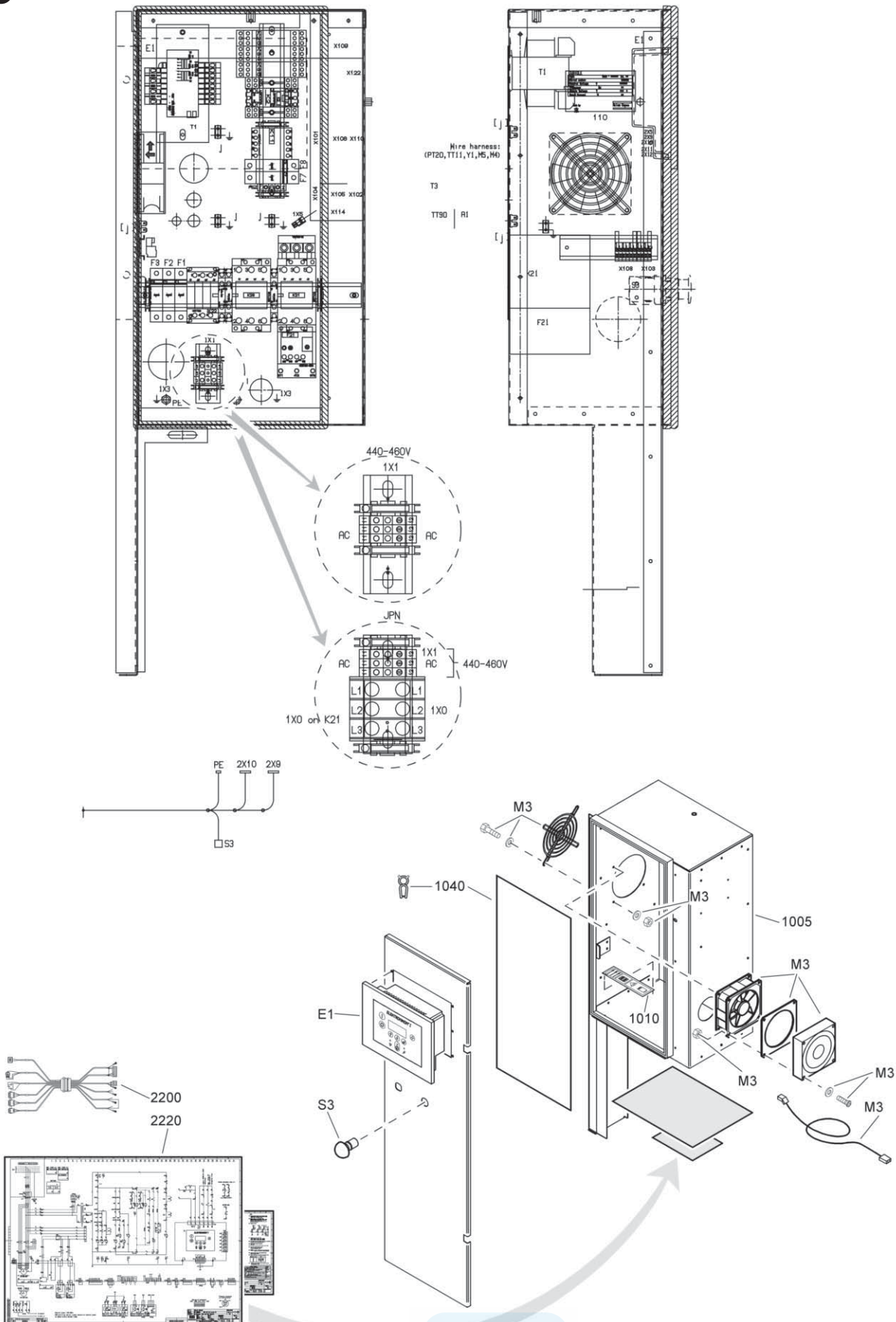
## Start cubicle - IEC - Elektronikon I+

16

Ref.	Part number	Qty	Name	Remarks	Ref.	Part number	Qty	Name	Remarks
M3	0162 1173 03	• 4	Screw			1089 9436 43		1900 2095 11	
	0162 1173 03		1900 2095 20			1089 9436 43		1900 2095 12	
	0162 1173 03		1900 2095 21			1089 9436 43		1900 2095 20	
	0162 1173 03		1900 2095 22			1089 9436 43		1900 2095 21	
M3	0301 2315 00	• 12	Washer			1089 9436 43		1900 2095 22	
	0301 2315 00		1900 2095 20		X101	1088 0015 02	• 1	Connector Male	
	0301 2315 00		1900 2095 21			1088 0015 02		1900 2095 01	
	0301 2315 00		1900 2095 22			1088 0015 02		1900 2095 02	
S3	1089 0362 50	• 2	Contact Block			1088 0015 02		1900 2095 03	
	1089 0362 50		1900 2095 01			1088 0015 02		1900 2095 04	
	1089 0362 50		1900 2095 02			1088 0015 02		1900 2095 05	
	1089 0362 50		1900 2095 03			1088 0015 02		1900 2095 06	
	1089 0362 50		1900 2095 04			1088 0015 02		1900 2095 07	
	1089 0362 50		1900 2095 05			1088 0015 02		1900 2095 08	
	1089 0362 50		1900 2095 06			1088 0015 02		1900 2095 10	
	1089 0362 50		1900 2095 07			1088 0015 02		1900 2095 11	
	1089 0362 50		1900 2095 08			1088 0015 02		1900 2095 12	
	1089 0362 50		1900 2095 10			1088 0015 02		1900 2095 20	
	1089 0362 50		1900 2095 11			1088 0015 02		1900 2095 21	
	1089 0362 50		1900 2095 12			1088 0015 02		1900 2095 22	
	1089 0362 50		1900 2095 20		X101	1088 0015 36	• 2	Connector Socket	
	1089 0362 50		1900 2095 21			1088 0015 36		1900 2095 01	
	1089 0362 50		1900 2095 22			1088 0015 36		1900 2095 02	
S3	1089 0362 51	• 1	Emergency Stop Button			1088 0015 36		1900 2095 03	
	1089 0362 51		1900 2095 01			1088 0015 36		1900 2095 04	
	1089 0362 51		1900 2095 02			1088 0015 36		1900 2095 05	
	1089 0362 51		1900 2095 03			1088 0015 36		1900 2095 06	
	1089 0362 51		1900 2095 04			1088 0015 36		1900 2095 07	
	1089 0362 51		1900 2095 05			1088 0015 36		1900 2095 08	
	1089 0362 51		1900 2095 06			1088 0015 36		1900 2095 10	
	1089 0362 51		1900 2095 07			1088 0015 36		1900 2095 11	
	1089 0362 51		1900 2095 08			1088 0015 36		1900 2095 12	
	1089 0362 51		1900 2095 10			1088 0015 36		1900 2095 20	
	1089 0362 51		1900 2095 11			1088 0015 36		1900 2095 21	
	1089 0362 51		1900 2095 12			1088 0015 36		1900 2095 22	
	1089 0362 51		1900 2095 20		X102	1089 0700 01	• 1	Connector Female	
	1089 0362 51		1900 2095 21			1089 0700 01		1900 2095 01	
	1089 0362 51		1900 2095 22			1089 0700 01		1900 2095 02	
starter rail ends	1089 0506 30	• 2	End Bracket			1089 0700 01		1900 2095 03	
	1089 0506 30		1900 2095 01			1089 0700 01		1900 2095 04	
	1089 0506 30		1900 2095 02			1089 0700 01		1900 2095 05	
	1089 0506 30		1900 2095 03			1089 0700 01		1900 2095 06	
	1089 0506 30		1900 2095 04			1089 0700 01		1900 2095 07	
	1089 0506 30		1900 2095 05			1089 0700 01		1900 2095 08	
	1089 0506 30		1900 2095 06			1089 0700 01		1900 2095 10	
	1089 0506 30		1900 2095 07			1089 0700 01		1900 2095 11	
	1089 0506 30		1900 2095 08			1089 0700 01		1900 2095 12	
	1089 0506 30		1900 2095 10			1089 0700 01		1900 2095 20	
	1089 0506 30		1900 2095 11			1089 0700 01		1900 2095 21	
	1089 0506 30		1900 2095 12			1089 0700 01		1900 2095 22	
	1089 0506 30		1900 2095 20		X102	1089 0700 01	• 1	Connector Male	
	1089 0506 30		1900 2095 21			1089 0700 02		1900 2095 01	
	1089 0506 30		1900 2095 22			1089 0700 02		1900 2095 02	
T1	1089 9436 38	• 1	Transformer			1089 0700 02		1900 2095 03	
	1089 9436 38		1900 2095 01			1089 0700 02		1900 2095 04	
	1089 9436 38		1900 2095 02			1089 0700 02		1900 2095 05	
	1089 9436 43		1900 2095 03			1089 0700 02		1900 2095 06	
	1089 9436 43		1900 2095 04			1089 0700 02		1900 2095 07	
	1089 9436 43		1900 2095 05			1089 0700 02		1900 2095 08	
	1089 9436 43		1900 2095 06			1089 0700 02		1900 2095 10	
	1089 9436 43		1900 2095 07			1089 0700 02		1900 2095 11	
	1089 9436 43		1900 2095 08			1089 0700 02		1900 2095 12	
	1089 9436 43		1900 2095 10			1089 0700 02		1900 2095 20	



# 16

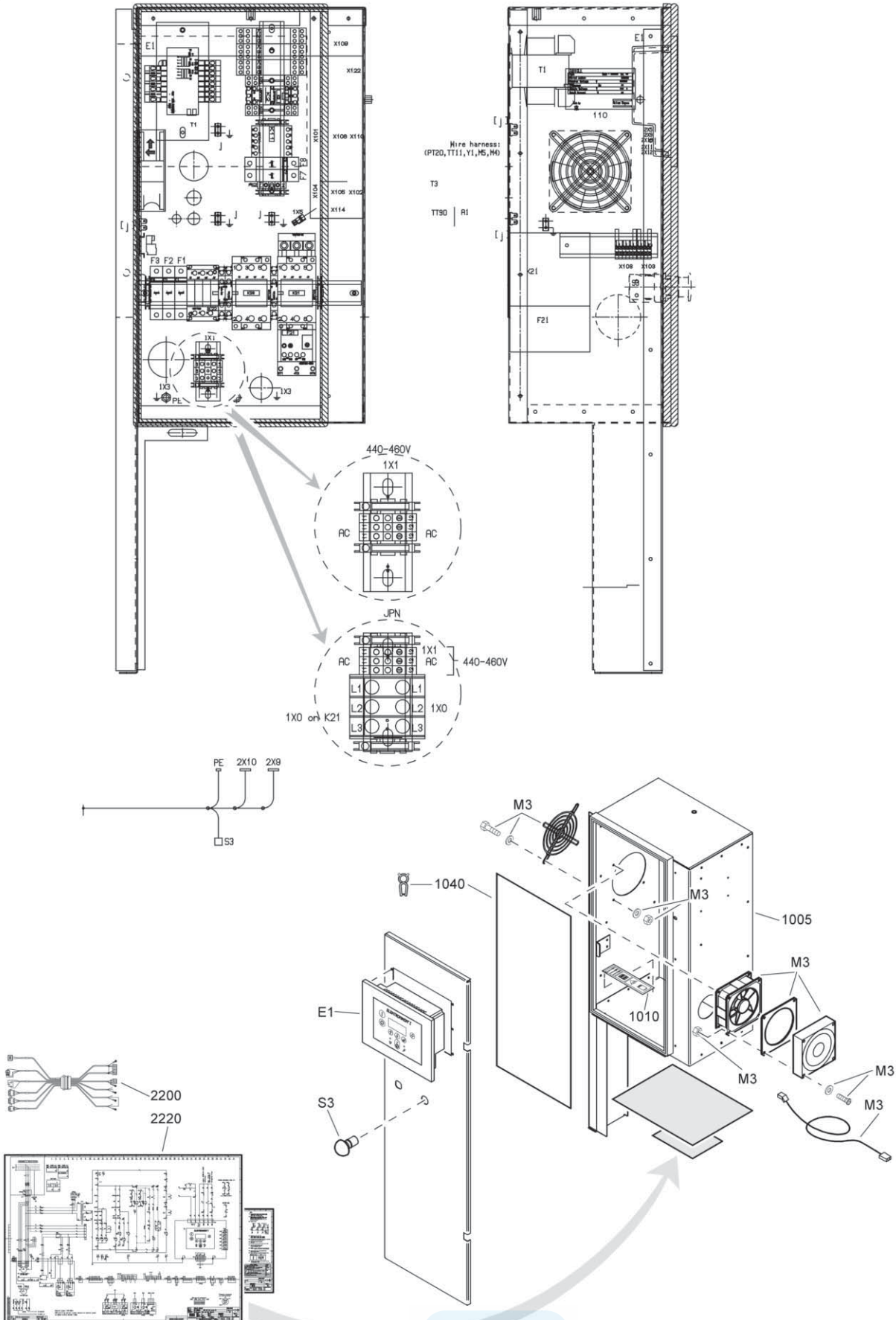


## Start cubicle - IEC - Elektronikon I+

Ref.	Part number	Qty	Name	Remarks	Ref.	Part number	Qty	Name	Remarks		
X102	1089 0700 02	• 8	1900 2095 21	Connector Pin	X103-X108	• 4	Adaptor				
	1089 0700 02		1900 2095 22				1088 0031 18		1900 2095 01		
	1089 0700 03		1900 2095 01				1088 0031 18		1900 2095 02		
	1089 0700 03		1900 2095 02				1088 0031 18		1900 2095 03		
	1089 0700 03		1900 2095 03				1088 0031 18		1900 2095 04		
	1089 0700 03		1900 2095 04				1088 0031 18		1900 2095 05		
	1089 0700 03		1900 2095 05				1088 0031 18		1900 2095 06		
	1089 0700 03		1900 2095 06				1088 0031 18		1900 2095 07		
	1089 0700 03		1900 2095 07				1088 0031 18		1900 2095 08		
	1089 0700 03		1900 2095 08				1088 0031 18		1900 2095 10		
	1089 0700 03		1900 2095 10				1088 0031 18		1900 2095 11		
	1089 0700 03		1900 2095 11				1088 0031 18		1900 2095 12		
	1089 0700 03		1900 2095 12				1088 0031 18		1900 2095 20		
	1089 0700 03		1900 2095 20				1088 0031 18		1900 2095 21		
	1089 0700 03		1900 2095 21				1088 0031 18		1900 2095 22		
X102	1089 0700 03	• 8	1900 2095 22	Connector Socket	X104	• 1	Connector Female				
	1089 0700 04		1900 2095 01				1088 0037 31		1900 2095 01		
	1089 0700 04		1900 2095 02				1088 0037 31		1900 2095 02		
	1089 0700 04		1900 2095 03				1088 0037 31		1900 2095 03		
	1089 0700 04		1900 2095 04				1088 0037 31		1900 2095 04		
	1089 0700 04		1900 2095 05				1088 0037 31		1900 2095 05		
	1089 0700 04		1900 2095 06				1088 0037 31		1900 2095 06		
	1089 0700 04		1900 2095 07				1088 0037 31		1900 2095 07		
	1089 0700 04		1900 2095 08				1088 0037 31		1900 2095 08		
	1089 0700 04		1900 2095 10				1088 0037 31		1900 2095 10		
	1089 0700 04		1900 2095 11				1088 0037 31		1900 2095 11		
	1089 0700 04		1900 2095 12				1088 0037 31		1900 2095 20		
	1089 0700 04		1900 2095 20				1088 0037 31		1900 2095 21		
	1089 0700 04		1900 2095 21				1088 0037 31		1900 2095 22		
	1089 0700 04		1900 2095 22				1088 0037 31		1900 2095 22		
X103	1088 0037 04	• 1	1900 2095 01	Connector Female	X105	• 1	Connector Combi				
	1088 0037 04		1900 2095 02				1088 0031 42		1900 2095 20		
	1088 0037 04		1900 2095 03				1088 0031 42		1900 2095 21		
	1088 0037 04		1900 2095 04				1088 0031 42		1900 2095 22		
	1088 0037 04		1900 2095 05				X105,1X5		• 2	Connector Female	
	1088 0037 04		1900 2095 06							1088 0037 30	1900 2095 01
	1088 0037 04		1900 2095 07							1088 0037 30	1900 2095 02
	1088 0037 04		1900 2095 08							1088 0037 30	1900 2095 03
	1088 0037 04		1900 2095 10							1088 0037 30	1900 2095 04
	1088 0037 04		1900 2095 11							1088 0037 30	1900 2095 05
	1088 0037 04		1900 2095 12							1088 0037 30	1900 2095 06
	1088 0037 04		1900 2095 20							1088 0037 30	1900 2095 07
	1088 0037 04		1900 2095 21							1088 0037 30	1900 2095 08
	1088 0037 04		1900 2095 22							1088 0037 30	1900 2095 10
	1088 0037 04		1900 2095 21							1088 0037 30	1900 2095 11
1088 0037 04	1900 2095 22	1088 0037 30	1900 2095 12								
1088 0037 04	1900 2095 21	1088 0037 30	1900 2095 20								
1088 0037 04	1900 2095 22	1088 0037 30	1900 2095 21								
1088 0037 04	1900 2095 22	1088 0037 30	1900 2095 22								
X103	1088 0031 84	• 1	1900 2095 01	Connector Male	X106	• 1	Connector Female				
	1088 0031 84		1900 2095 02				1088 0031 22		1900 2095 01		
	1088 0031 84		1900 2095 03				1088 0031 22		1900 2095 02		
	1088 0031 84		1900 2095 04				1088 0031 22		1900 2095 03		
	1088 0031 84		1900 2095 05				1088 0031 22		1900 2095 04		
	1088 0031 84		1900 2095 06				1088 0031 22		1900 2095 05		
	1088 0031 84		1900 2095 07				1088 0031 22		1900 2095 06		
	1088 0031 84		1900 2095 08				1088 0031 22		1900 2095 07		
	1088 0031 84		1900 2095 10				1088 0031 22		1900 2095 08		
	1088 0031 84		1900 2095 11				1088 0031 22		1900 2095 10		
	1088 0031 84		1900 2095 12				1088 0031 22		1900 2095 11		
	1088 0031 84		1900 2095 20				1088 0031 22		1900 2095 12		
	1088 0031 84		1900 2095 21				1088 0031 22		1900 2095 20		
	1088 0031 84		1900 2095 22				1088 0031 22		1900 2095 20		



# 16



63474\_12

## Start cubicle - IEC - Elektronikon I+

Ref.	Part number	Qty	Name	Remarks	Ref.	Part number	Qty	Name	Remarks
	1088 0031 22		1900 2095 21			1088 0031 83		1900 2095 03	
	1088 0031 22		1900 2095 22			1088 0031 83		1900 2095 04	
X106		• 1	Connector Male			1088 0031 83		1900 2095 05	
	1088 0031 82		1900 2095 01			1088 0031 83		1900 2095 06	
	1088 0031 82		1900 2095 02			1088 0031 83		1900 2095 07	
	1088 0031 82		1900 2095 03			1088 0031 83		1900 2095 08	
	1088 0031 82		1900 2095 04			1088 0031 83		1900 2095 10	
	1088 0031 82		1900 2095 05			1088 0031 83		1900 2095 11	
	1088 0031 82		1900 2095 06			1088 0031 83		1900 2095 12	
	1088 0031 82		1900 2095 07			1088 0031 83		1900 2095 20	
	1088 0031 82		1900 2095 08			1088 0031 83		1900 2095 21	
	1088 0031 82		1900 2095 10			1088 0031 83		1900 2095 22	
	1088 0031 82		1900 2095 11		X114		• 1	Connector Male	
	1088 0031 82		1900 2095 12			1088 0015 05		1900 2095 01	
	1088 0031 82		1900 2095 20			1088 0015 05		1900 2095 02	
	1088 0031 82		1900 2095 21			1088 0015 05		1900 2095 03	
	1088 0031 82		1900 2095 22			1088 0015 05		1900 2095 04	
X108		• 1	Connector Female			1088 0015 05		1900 2095 05	
	1088 0037 06		1900 2095 01			1088 0015 05		1900 2095 06	
	1088 0037 06		1900 2095 02			1088 0015 05		1900 2095 07	
	1088 0037 06		1900 2095 03			1088 0015 05		1900 2095 08	
	1088 0037 06		1900 2095 04			1088 0015 05		1900 2095 10	
	1088 0037 06		1900 2095 05			1088 0015 05		1900 2095 11	
	1088 0037 06		1900 2095 06			1088 0015 05		1900 2095 12	
	1088 0037 06		1900 2095 07			1088 0015 05		1900 2095 20	
	1088 0037 06		1900 2095 08			1088 0015 05		1900 2095 21	
	1088 0037 06		1900 2095 10			1088 0015 05		1900 2095 22	
	1088 0037 06		1900 2095 11		X114		• 5	Connector Socket	
	1088 0037 06		1900 2095 12			1088 0015 36		1900 2095 01	
	1088 0037 06		1900 2095 20			1088 0015 36		1900 2095 02	
	1088 0037 06		1900 2095 21			1088 0015 36		1900 2095 03	
	1088 0037 06		1900 2095 22			1088 0015 36		1900 2095 04	
X108		• 1	Connector Male			1088 0015 36		1900 2095 05	
	1088 0031 86		1900 2095 01			1088 0015 36		1900 2095 06	
	1088 0031 86		1900 2095 02			1088 0015 36		1900 2095 07	
	1088 0031 86		1900 2095 03			1088 0015 36		1900 2095 08	
	1088 0031 86		1900 2095 04			1088 0015 36		1900 2095 10	
	1088 0031 86		1900 2095 05			1088 0015 36		1900 2095 11	
	1088 0031 86		1900 2095 06			1088 0015 36		1900 2095 12	
	1088 0031 86		1900 2095 07			1088 0015 36		1900 2095 20	
	1088 0031 86		1900 2095 08			1088 0015 36		1900 2095 21	
	1088 0031 86		1900 2095 10			1088 0015 36		1900 2095 22	
	1088 0031 86		1900 2095 11		X122		• 1	Connector Female	
	1088 0031 86		1900 2095 12			1088 0031 75		1900 2095 01	
	1088 0031 86		1900 2095 20			1088 0031 75		1900 2095 02	
	1088 0031 86		1900 2095 21			1088 0031 75		1900 2095 03	
	1088 0031 86		1900 2095 22			1088 0031 75		1900 2095 04	
X110		• 1	Connector Female			1088 0031 75		1900 2095 05	
	1088 0031 23		1900 2095 01			1088 0031 75		1900 2095 06	
	1088 0031 23		1900 2095 02			1088 0031 75		1900 2095 07	
	1088 0031 23		1900 2095 03			1088 0031 75		1900 2095 08	
	1088 0031 23		1900 2095 04			1088 0031 75		1900 2095 10	
	1088 0031 23		1900 2095 05			1088 0031 75		1900 2095 11	
	1088 0031 23		1900 2095 06			1088 0031 75		1900 2095 12	
	1088 0031 23		1900 2095 07			1088 0031 75		1900 2095 20	
	1088 0031 23		1900 2095 08			1088 0031 75		1900 2095 21	
	1088 0031 23		1900 2095 10			1088 0031 75		1900 2095 22	
	1088 0031 23		1900 2095 11						
	1088 0031 23		1900 2095 12		1005		• 1	<b>Cubicle assembly</b>	
	1088 0031 23		1900 2095 20			1622 1085 00		No HAV	
	1088 0031 23		1900 2095 21			1622 1117 00		HAV	
	1088 0031 23		1900 2095 22		1040	1202 6584 00	•• AR	Seal	
X110		• 1	Connector Male		E1	1900 0712 71	1	Regulator Elektronikon I+	
	1088 0031 83		1900 2095 01		-	1622 2591 80	1	Mounting plate	
	1088 0031 83		1900 2095 02		2200	1622 0873 45	1	Wire harness	
					2220	9823 3598 05	1	Service diagram	

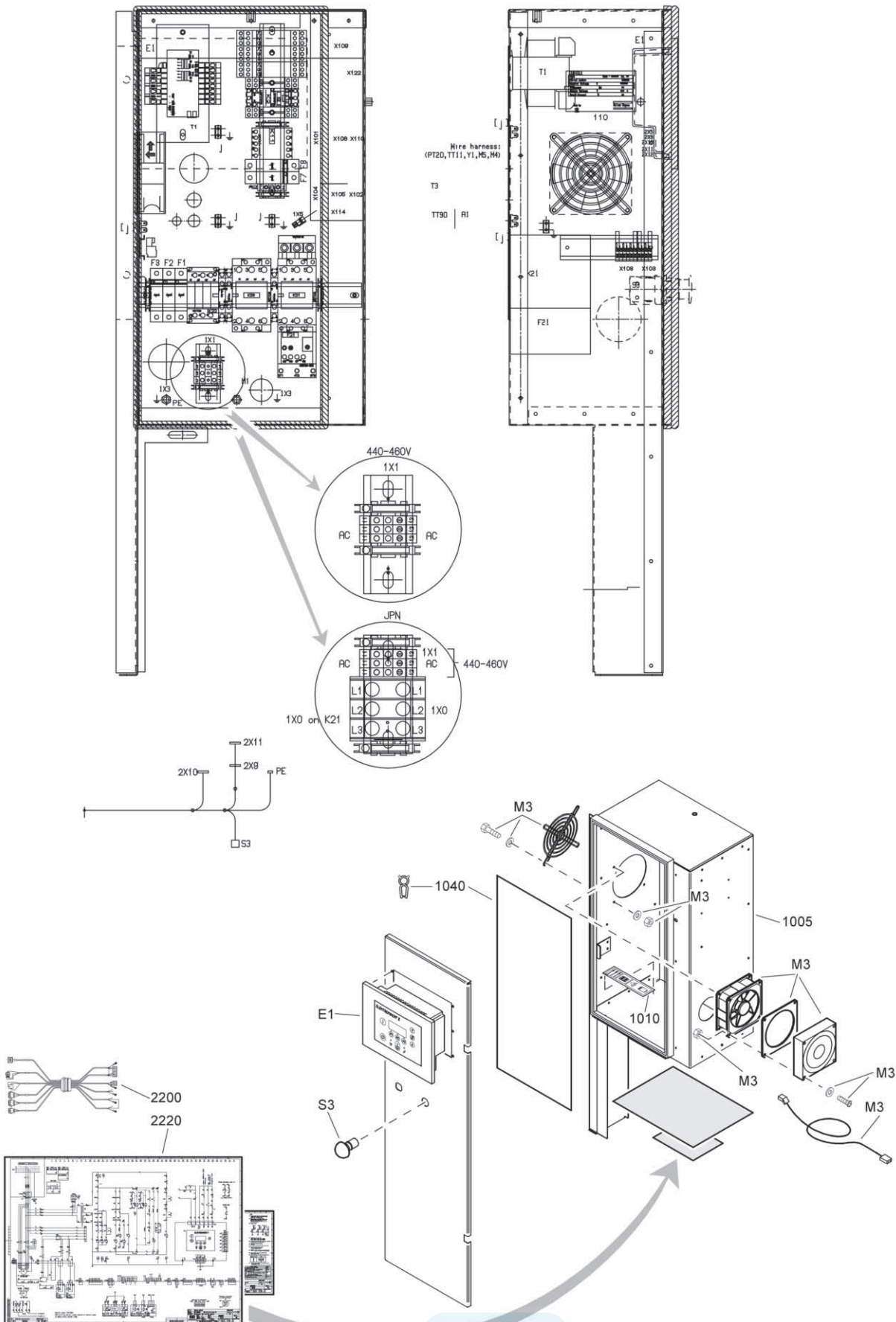


## Start cubicle - IEC - Elektronikon II

Ref.	Part number	Qty	Name	Remarks	Ref.	Part number	Qty	Name	Remarks
		1	<b>Cubicle</b>						
	1900 2096 05		GA 5 200V-220V-230V/ 50-60Hz		1X0:L123/JPN	• 1	Endsection		
	1900 2096 04		GA 5 380V/60Hz		1089 9398 06		1900 2096 10		
	1900 2096 03		GA 5 380V-500V/50Hz 440V-460V/60Hz		1089 9398 06		1900 2096 11		
	1900 2096 01		GA 5 400V/50Hz		1089 9398 06		1900 2096 12		
	1900 2096 21		GA 5 HAV 200V 230V/ 50-60Hz		1X0:L123/JPN	• 3	Terminal		
	1900 2096 20		GA 5 HAV 400V/50Hz 380V-460V/60Hz		1089 9398 05		1900 2096 10		
	1900 2096 11		GA 5 JPN 200-230V/ 50-60Hz		1089 9398 05		1900 2096 11		
	1900 2096 10		GA 5 JPN 400V/50Hz 380V-460V/60Hz		1089 9398 05		1900 2096 12		
	1900 2096 06		GA 7 200V-230V/50Hz 200V-220V-230V/60Hz		1X0:L123/JPN	• 1	Name Cover		
	1900 2096 05		GA 7 380V/60Hz		1089 9398 08		1900 2096 10		
	1900 2096 04		GA 7 380V-500V/50Hz 440V-460V/60Hz		1089 9398 08		1900 2096 11		
	1900 2096 01		GA 7 400V/50Hz		1089 9398 08		1900 2096 12		
	1900 2096 22		GA 7 HAV 200V-230V/ 50-60Hz		1X0:L123/K21	• 1	3ph Terminal Block		
	1900 2096 21		GA 7 HAV 380V/60Hz		1089 9416 05		1900 2096 02		
	1900 2096 20		GA 7 HAV 400V-500V/50Hz 460V/60Hz		1089 9416 05		1900 2096 05		
	1900 2096 12		GA 7 JPN 200-220V/ 50-60Hz		1089 9416 05		1900 2096 06		
	1900 2096 11		GA 7 JPN 380V/60Hz		1089 9416 05		1900 2096 07		
	1900 2096 10		GA 7 JPN 400V/50Hz 460V/60Hz		1089 9416 05		1900 2096 11		
	1900 2096 07		GA 11 200V-230V/50Hz 200V-220V-230V/60Hz		1089 9416 93		1900 2096 12		
	1900 2096 06		GA 11 380V/60Hz		1089 9416 05		1900 2096 21		
	1900 2096 05		GA 11 380V-500V/50Hz 440V-460V/60Hz		1089 9416 93		1900 2096 22		
	1900 2096 02		GA 11 400V/50Hz		1X0:L123/K21	• 1	Supply Terminal		
	1900 2096 22		GA 11 HAV 200V-230V- 400V/50Hz 230V-380V- 460V/60Hz		1089 9415 88		1900 2096 01		
	1900 2096 21		GA 11 HAV 500V/50Hz		1089 9415 88		1900 2096 03		
	1900 2096 12		GA 11 JPN 200V-400V/50Hz 220V-380V-460V/60Hz		1089 9415 88		1900 2096 04		
	-	• 2	End Bracket		1089 9415 88		1900 2096 10		
	1089 0506 30		1900 2096 01		1089 9415 88		1900 2096 20		
	1089 0506 30		1900 2096 02		1X1:T4..T9	•	Terminal		
	1089 0506 30		1900 2096 03		1089 0506 04	1	1900 2096 03		
	1089 0506 30		1900 2096 04		1089 0506 04	1	1900 2096 04		
	1089 0506 30		1900 2096 05		1089 0506 04	1	1900 2096 05		
	1089 0506 30		1900 2096 06		1089 0506 09	3	1900 2096 10		
	1089 0506 30		1900 2096 07		1089 0506 09	3	1900 2096 12		
	1089 0506 30		1900 2096 10		1089 0506 04	1	1900 2096 20		
	1089 0506 30		1900 2096 11		1089 0506 04	1	1900 2096 22		
	1089 0506 30		1900 2096 12		1X2:N	• 1	Terminal		
	1089 0506 30		1900 2096 20		1089 0506 60		1900 2096 01		
	1089 0506 30		1900 2096 21		1089 0506 60		1900 2096 02		
	1089 0506 30		1900 2096 22		1089 0506 60		1900 2096 03		
	1089 0506 30		1900 2096 01		1089 0506 60		1900 2096 04		
	1089 0506 30		1900 2096 02		1089 0506 60		1900 2096 05		
	1089 0506 30		1900 2096 03		1089 0506 60		1900 2096 06		
	1089 0506 30		1900 2096 04		1089 0506 60		1900 2096 07		
	1089 0506 30		1900 2096 05		1089 0506 60		1900 2096 10		
	1089 0506 30		1900 2096 06		1089 0506 60		1900 2096 11		
	1089 0506 30		1900 2096 07		1089 0506 60		1900 2096 12		
	1089 0506 30		1900 2096 10		1089 0506 60		1900 2096 20		
	1089 0506 30		1900 2096 11		1089 0506 60		1900 2096 21		
	1089 0506 30		1900 2096 12		1089 0506 60		1900 2096 22		
	1089 0506 30		1900 2096 20		2X10	• 1	Connector Female		
	1089 0506 30		1900 2096 21		1088 0031 49		1900 2096 01		
	1089 0506 30		1900 2096 22		1088 0031 49		1900 2096 02		
	1089 0506 30		1900 2096 01		1088 0031 49		1900 2096 03		
	1089 0506 30		1900 2096 02		1088 0031 49		1900 2096 04		
	1089 0506 30		1900 2096 03		1088 0031 49		1900 2096 05		
	1089 0506 30		1900 2096 04		1088 0031 49		1900 2096 06		
	1089 0506 30		1900 2096 05		1088 0031 49		1900 2096 07		
	1089 0506 30		1900 2096 06		1088 0031 49		1900 2096 10		
	1089 0506 30		1900 2096 07		1088 0031 49		1900 2096 11		
	1089 0506 30		1900 2096 10		1088 0031 49		1900 2096 12		
	1089 0506 30		1900 2096 11		1088 0031 49		1900 2096 20		
	1089 0506 30		1900 2096 12		1088 0031 49				
	1X0:L123/JPN	• 2	Barrier						
	1089 9398 07		1900 2096 10						
	1089 9398 07		1900 2096 11						
	1089 9398 07		1900 2096 12						



# 17



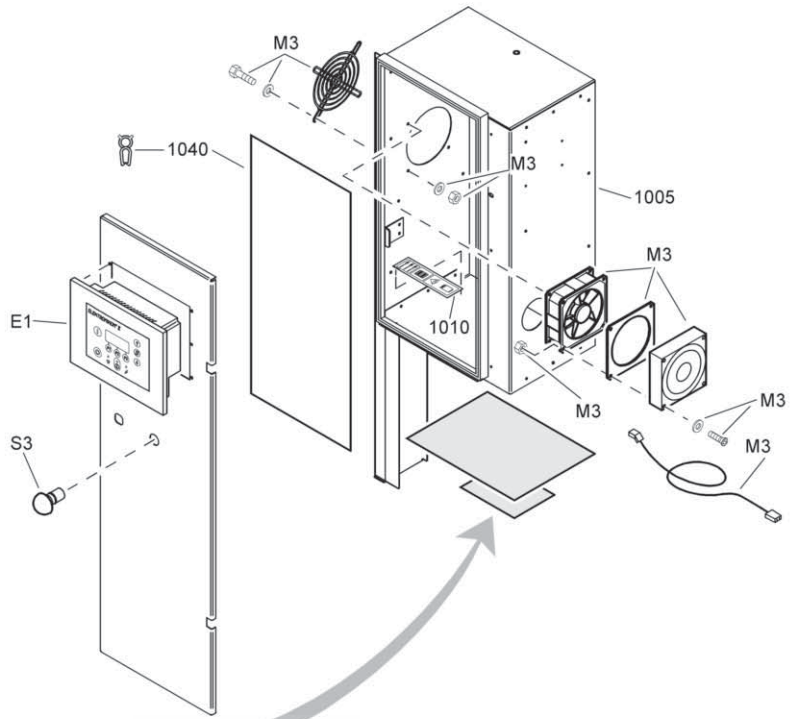
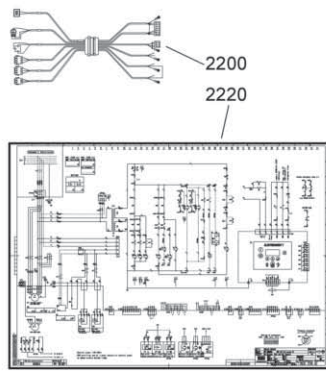
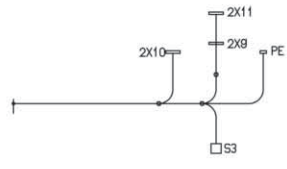
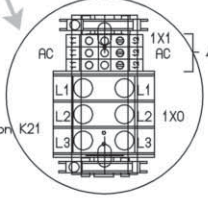
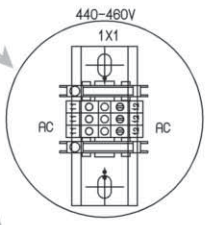
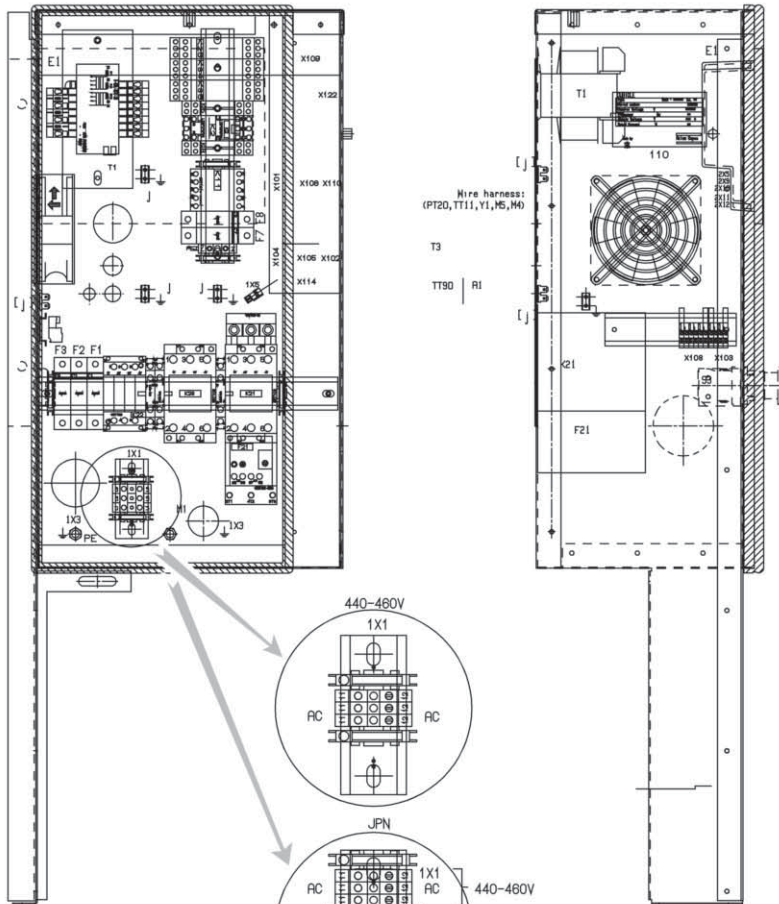
63475\_12

## Start cubicle - IEC - Elektronikon II

Ref.	Part number	Qty	Name	Remarks	Ref.	Part number	Qty	Name	Remarks
	1088 0031 49		1900 2096 21			1089 9424 29		1900 2096 06	
	1088 0031 49		1900 2096 22			1089 9424 38		1900 2096 07	
2X11		• 1	Connector Female			1089 9424 18		1900 2096 10	
	1088 0031 29		1900 2096 01			1089 9424 28		1900 2096 11	
	1088 0031 29		1900 2096 02			1089 9446 61		1900 2096 12	
	1088 0031 29		1900 2096 03			1089 9424 18		1900 2096 20	
	1088 0031 29		1900 2096 04			1089 9424 28		1900 2096 21	
	1088 0031 29		1900 2096 05			1089 9446 61		1900 2096 22	
	1088 0031 29		1900 2096 06		F7-F8		• 2	Fuse	
	1088 0031 29		1900 2096 07			1089 0612 26		1900 2096 01	
	1088 0031 29		1900 2096 10			1089 0612 01		1900 2096 01	
	1088 0031 29		1900 2096 11			1089 0612 01		1900 2096 02	
	1088 0031 29		1900 2096 12			1089 0612 26		1900 2096 02	
	1088 0031 29		1900 2096 20			1089 0612 26		1900 2096 03	
	1088 0031 29		1900 2096 21			1089 0612 01		1900 2096 03	
	1088 0031 29		1900 2096 22			1089 0612 26		1900 2096 04	
2X9		• 1	Connector Female			1089 0612 01		1900 2096 04	
	1088 0031 13		1900 2096 01			1089 0612 26		1900 2096 05	
	1088 0031 13		1900 2096 02			1089 0612 01		1900 2096 05	
	1088 0031 13		1900 2096 03			1089 0612 26		1900 2096 06	
	1088 0031 13		1900 2096 04			1089 0612 01		1900 2096 06	
	1088 0031 13		1900 2096 05			1089 0612 26		1900 2096 07	
	1088 0031 13		1900 2096 06			1089 0612 01		1900 2096 07	
	1088 0031 13		1900 2096 07			1089 0612 26		1900 2096 10	
	1088 0031 13		1900 2096 10			1089 0612 01		1900 2096 10	
	1088 0031 13		1900 2096 11			1089 0612 26		1900 2096 11	
	1088 0031 13		1900 2096 12			1089 0612 01		1900 2096 11	
	1088 0031 13		1900 2096 20			1089 0612 01		1900 2096 12	
	1088 0031 13		1900 2096 21			1089 0612 26		1900 2096 12	
	1088 0031 13		1900 2096 22			1089 0612 26		1900 2096 20	
F1-F2		• 2	Fuse			1089 0612 01		1900 2096 20	
	1089 0612 23		1900 2096 01			1089 0612 26		1900 2096 21	
	1089 0612 01		1900 2096 01			1089 0612 01		1900 2096 21	
	1089 0612 01		1900 2096 02			1089 0612 01		1900 2096 22	
	1089 0612 23		1900 2096 02			1089 0612 01		1900 2096 22	
	1089 0612 23		1900 2096 03		WH		• 1	Nut	
	1089 0612 01		1900 2096 03			0697 9809 24		1900 2096 01	
	1089 0612 23		1900 2096 04			0697 9809 24		1900 2096 02	
	1089 0612 01		1900 2096 04			0697 9809 24		1900 2096 03	
	1089 0612 23		1900 2096 05			0697 9809 24		1900 2096 04	
	1089 0612 01		1900 2096 05			0697 9809 24		1900 2096 05	
	1089 0612 23		1900 2096 06			0697 9809 24		1900 2096 06	
	1089 0612 01		1900 2096 06			0697 9809 24		1900 2096 07	
	1089 0612 23		1900 2096 07			0697 9809 24		1900 2096 10	
	1089 0612 01		1900 2096 07			0697 9809 24		1900 2096 11	
	1089 0612 23		1900 2096 10			0697 9809 24		1900 2096 12	
	1089 0612 01		1900 2096 10			0697 9809 24		1900 2096 20	
	1089 0612 23		1900 2096 11			0697 9809 24		1900 2096 21	
	1089 0612 01		1900 2096 11			0697 9809 24		1900 2096 22	
	1089 0612 01		1900 2096 12		K2		• 1	Clip	
	1089 0612 23		1900 2096 12			1089 9511 34		1900 2096 01	
	1089 0612 23		1900 2096 20			1089 9511 34		1900 2096 02	
	1089 0612 01		1900 2096 20			1089 9511 34		1900 2096 03	
	1089 0612 23		1900 2096 21			1089 9511 34		1900 2096 04	
	1089 0612 01		1900 2096 21			1089 9511 34		1900 2096 05	
	1089 0612 01		1900 2096 22			1089 9511 34		1900 2096 06	
	1089 0612 23		1900 2096 22			1089 9511 34		1900 2096 07	
F21		• 1	Overload Relay			1089 9511 34		1900 2096 10	
	1089 9424 18		1900 2096 01			1089 9511 34		1900 2096 11	
	1089 9424 28		1900 2096 02			1089 9511 34		1900 2096 12	
	1089 9424 17		1900 2096 03			1089 9511 34		1900 2096 20	
	1089 9424 18		1900 2096 04			1089 9511 34		1900 2096 21	
	1089 9424 28		1900 2096 05			1089 9511 34		1900 2096 22	



17



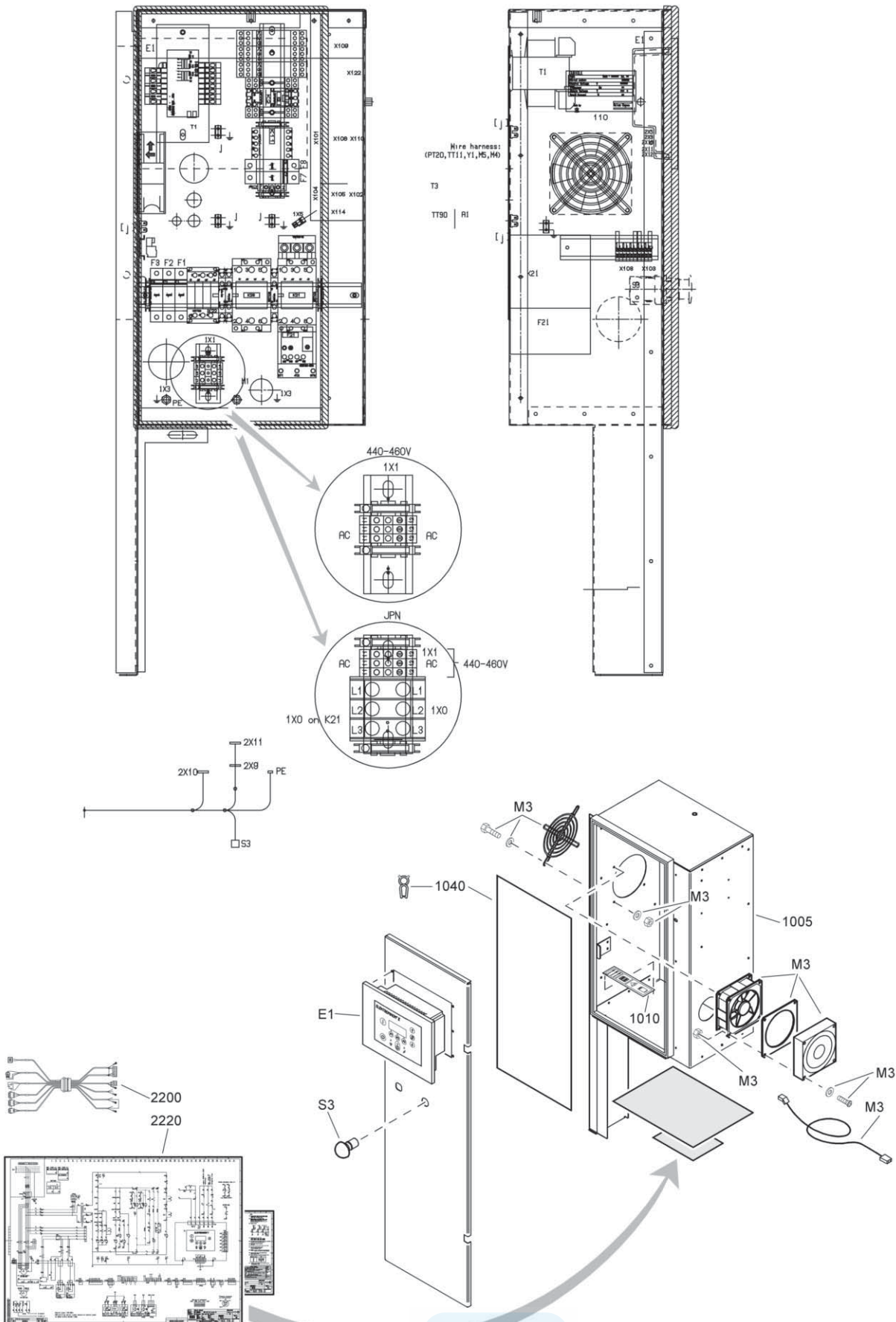
63475\_12

## Start cubicle - IEC - Elektronikon II

Ref.	Part number	Qty	Name	Remarks	Ref.	Part number	Qty	Name	Remarks
K2	• 1089 9511 25	1	Relay		K22	• 1089 9438 34	1	1900 2096 01	
			1900 2096 02					1900 2096 04	
			1900 2096 03					1900 2096 05	
			1900 2096 04					1900 2096 06	
			1900 2096 05					1900 2096 07	
			1900 2096 06					1900 2096 10	
			1900 2096 07					1900 2096 11	
			1900 2096 10					1900 2096 12	
			1900 2096 11					1900 2096 20	
			1900 2096 12					1900 2096 21	
			1900 2096 20					1900 2096 22	
			1900 2096 21						
			1900 2096 22						
			K2	• 1089 9511 29				1	Socket
1900 2096 02		1900 2096 06							
1900 2096 03		1900 2096 07							
1900 2096 04		1900 2096 10							
1900 2096 05		1900 2096 11							
1900 2096 06		1900 2096 12							
1900 2096 07		1900 2096 20							
1900 2096 10		1900 2096 21							
1900 2096 11		1900 2096 22							
1900 2096 12									
1900 2096 20									
1900 2096 21									
1900 2096 22									
K21	• 1089 9438 35	1			Contact Block		K23		• 1089 9438 36
			1900 2096 02		1900 2096 02				
			1900 2096 03		1900 2096 03				
			1900 2096 04		1900 2096 04				
			1900 2096 05		1900 2096 05				
			1900 2096 06		1900 2096 06				
			1900 2096 07		1900 2096 10				
			1900 2096 10		1900 2096 11				
			1900 2096 11		1900 2096 12				
			1900 2096 12		1900 2096 20				
			1900 2096 20		1900 2096 21				
			1900 2096 21		1900 2096 22				
			1900 2096 22						
			K21-K22-K23	• 1089 9415 14	3	Contact Block			
1900 2096 02		1900 2096 02							
1900 2096 03		1900 2096 03							
1900 2096 04		1900 2096 04							
1900 2096 10		1900 2096 05							
1900 2096 20		1900 2096 20							
K21-K23	• 1089 9415 26	2	Contact Block		K3	• 1089 9511 13	1	1900 2096 01	
			1900 2096 05					1900 2096 02	
			1900 2096 06					1900 2096 03	
			1900 2096 07					1900 2096 04	
			1900 2096 11					1900 2096 05	
			1900 2096 12					1900 2096 06	
			1900 2096 21					1900 2096 07	
			1900 2096 22					1900 2096 10	
K22	• 1089 9438 34	1	Contact Block		K3	• 1089 9511 13	1	1900 2096 11	
			1900 2096 01					1900 2096 12	
			1900 2096 02					1900 2096 20	
			1900 2096 03					1900 2096 21	



# 17

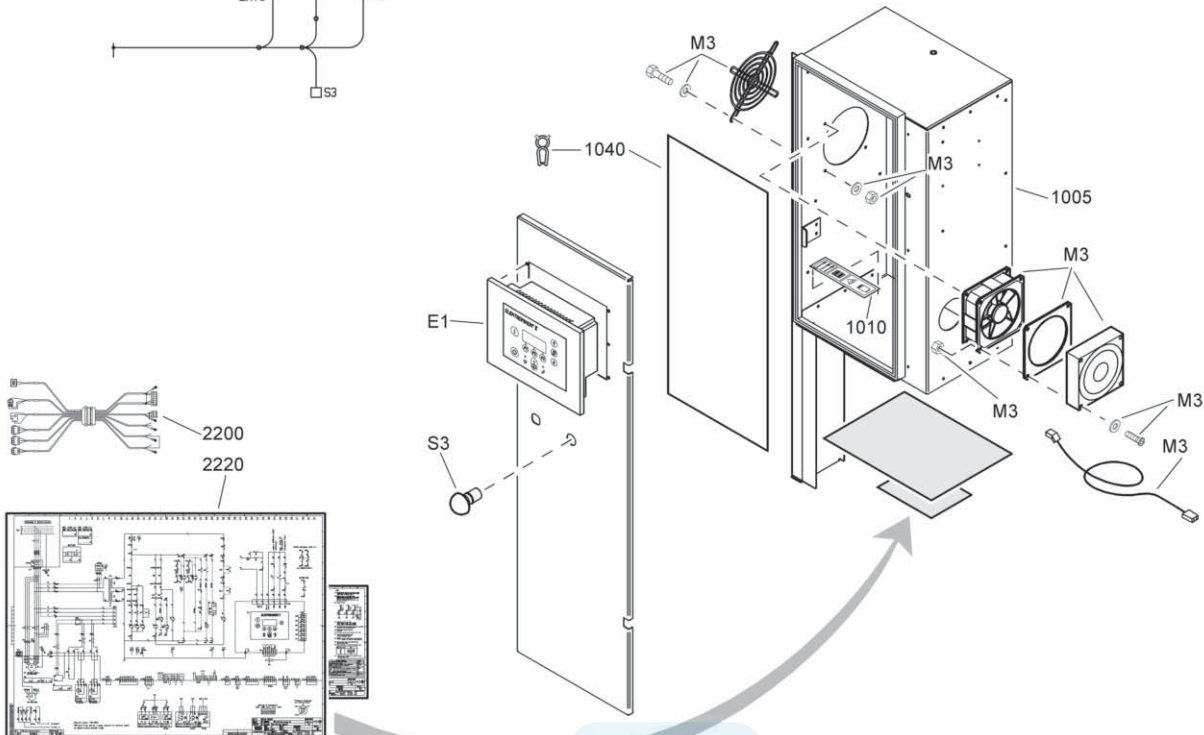
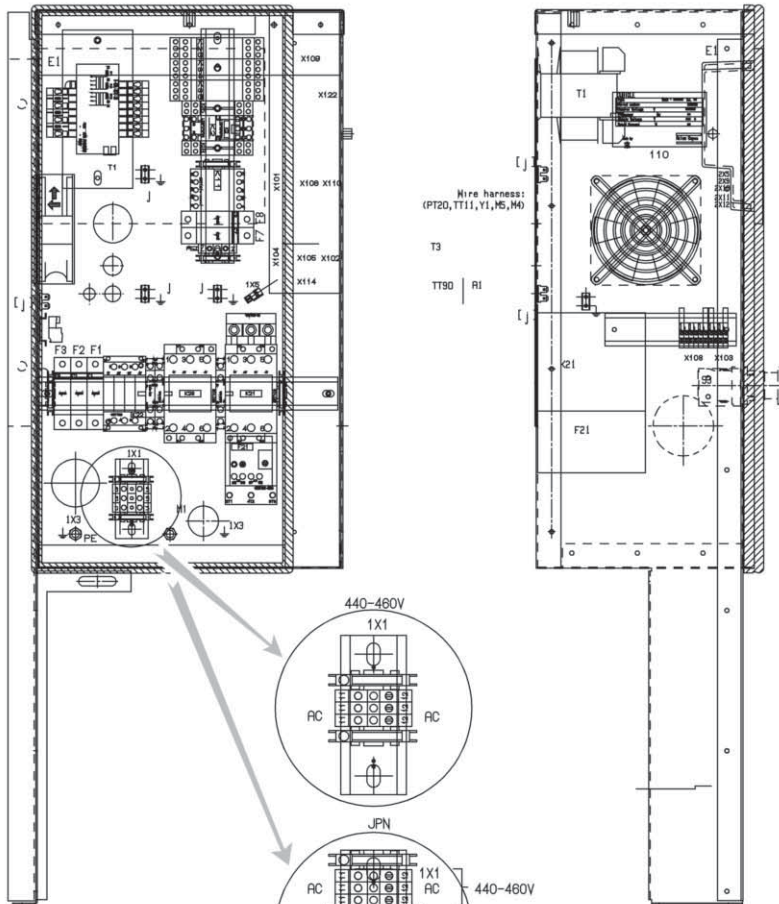


## Start cubicle - IEC - Elektronikon II

Ref.	Part number	Qty	Name	Remarks	Ref.	Part number	Qty	Name	Remarks
K3		• 1	Relay			1089 9511 12		1900 2096 07	
			1089 9511 51	1900 2096 01		1089 9511 12		1900 2096 10	
			1089 9511 51	1900 2096 02		1089 9511 12		1900 2096 11	
			1089 9511 51	1900 2096 03		1089 9511 12		1900 2096 12	
			1089 9511 51	1900 2096 04		1089 9511 12		1900 2096 20	
			1089 9511 51	1900 2096 05		1089 9511 12		1900 2096 21	
			1089 9511 51	1900 2096 06		1089 9511 12		1900 2096 22	
			1089 9511 51	1900 2096 07		L1-L2	• 2	Fast-on	
			1089 9511 51	1900 2096 10				1900 2096 01	
			1089 9511 51	1900 2096 11				1900 2096 02	
			1089 9511 51	1900 2096 12				1900 2096 03	
			1089 9511 51	1900 2096 20				1900 2096 04	
			1089 9511 51	1900 2096 21				1900 2096 05	
			1089 9511 51	1900 2096 22				1900 2096 06	
	K3		• 1	Socket			0694 5285 26		1900 2096 07
			1089 9511 12	1900 2096 01		0694 5285 26		1900 2096 10	
			1089 9511 12	1900 2096 02		0694 5285 26		1900 2096 11	
			1089 9511 12	1900 2096 03		0694 5285 26		1900 2096 12	
			1089 9511 12	1900 2096 04		0694 5285 26		1900 2096 20	
			1089 9511 12	1900 2096 05		0694 5285 26		1900 2096 21	
			1089 9511 12	1900 2096 06		0694 5285 26		1900 2096 22	
			1089 9511 12	1900 2096 07		M3	• 4	Bolt	
			1089 9511 12	1900 2096 10				1900 2096 20	
			1089 9511 12	1900 2096 11				1900 2096 21	
			1089 9511 12	1900 2096 12				1900 2096 22	
			1089 9511 12	1900 2096 20		M3	• 1	Fan	
			1089 9511 12	1900 2096 21				1900 2096 20	
			1089 9511 12	1900 2096 22				1900 2096 21	
K5			• 1	Clip			1089 0388 22		1900 2096 22
			1089 9511 13	1900 2096 01		1089 0388 22		1900 2096 22	
			1089 9511 13	1900 2096 02		M3	• 1	Filter	
			1089 9511 13	1900 2096 03				1900 2096 20	
			1089 9511 13	1900 2096 04				1900 2096 21	
			1089 9511 13	1900 2096 05				1900 2096 22	
			1089 9511 13	1900 2096 06		M3	• 1	Gasket	
			1089 9511 13	1900 2096 07				1900 2096 20	
			1089 9511 13	1900 2096 10				1900 2096 21	
			1089 9511 13	1900 2096 11				1900 2096 22	
			1089 9511 13	1900 2096 12		M3	• 1	Grating	
			1089 9511 13	1900 2096 20				1900 2096 20	
			1089 9511 13	1900 2096 21				1900 2096 21	
			1089 9511 13	1900 2096 22				1900 2096 22	
	K5		• 1	Relay			1089 0388 31		1900 2096 22
			1089 9511 51	1900 2096 01		1089 0388 31		1900 2096 20	
			1089 9511 51	1900 2096 02		1089 0388 31		1900 2096 21	
			1089 9511 51	1900 2096 03		1089 0388 31		1900 2096 22	
			1089 9511 51	1900 2096 04		M3	• 1	Gasket	
			1089 9511 51	1900 2096 05				1900 2096 20	
			1089 9511 51	1900 2096 06				1900 2096 21	
			1089 9511 51	1900 2096 07				1900 2096 22	
			1089 9511 51	1900 2096 10		M3	• 1	Grating	
			1089 9511 51	1900 2096 11				1900 2096 20	
			1089 9511 51	1900 2096 12				1900 2096 21	
			1089 9511 51	1900 2096 20				1900 2096 22	
			1089 9511 51	1900 2096 21		M3	• 8	Nut	
			1089 9511 51	1900 2096 22				1900 2096 20	
K5			• 1	Relay			0266 2106 00		1900 2096 21
			1089 9511 51	1900 2096 01		0266 2106 00		1900 2096 22	
			1089 9511 51	1900 2096 02		0266 2106 00		1900 2096 22	
			1089 9511 51	1900 2096 03		M3	• 1	Plug & Cable	
			1089 9511 51	1900 2096 04				1900 2096 20	
			1089 9511 51	1900 2096 05				1900 2096 21	
			1089 9511 51	1900 2096 06				1900 2096 22	
			1089 9511 51	1900 2096 07		M3	• 4	Screw	
			1089 9511 51	1900 2096 10				1900 2096 20	
			1089 9511 51	1900 2096 11				1900 2096 21	
			1089 9511 51	1900 2096 12				1900 2096 22	
			1089 9511 51	1900 2096 20		M3	• 12	Washer	
			1089 9511 51	1900 2096 21				1900 2096 20	
			1089 9511 51	1900 2096 22				1900 2096 21	
	K5		• 1	Socket			0301 2315 00		1900 2096 22
			1089 9511 12	1900 2096 01		0301 2315 00		1900 2096 22	
			1089 9511 12	1900 2096 02		S3	• 2	Contact Block	
			1089 9511 12	1900 2096 03				1900 2096 01	
			1089 9511 12	1900 2096 04				1900 2096 02	
			1089 9511 12	1900 2096 05				1900 2096 03	
			1089 9511 12	1900 2096 06				1900 2096 04	
			1089 9511 12	1900 2096 06				1900 2096 05	



17

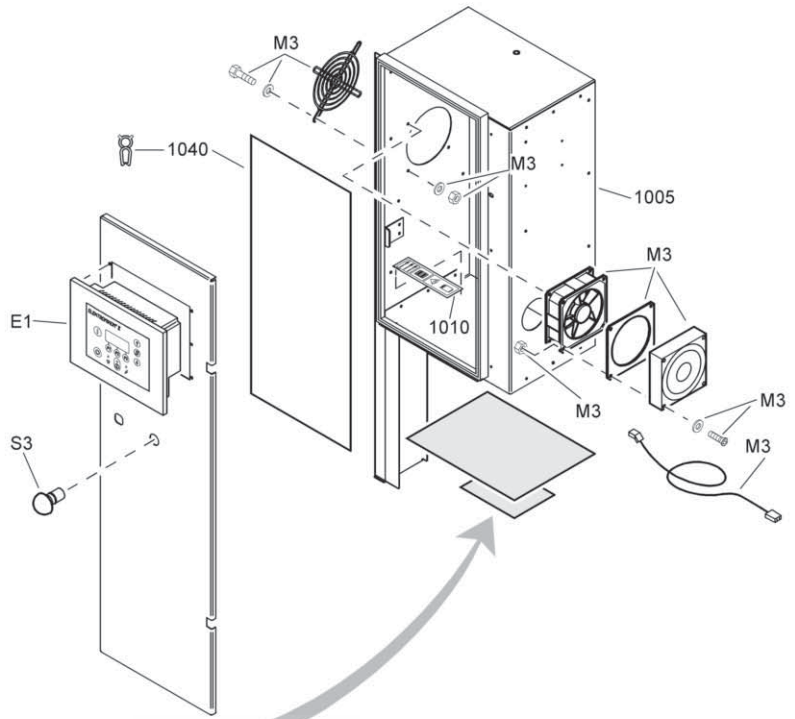
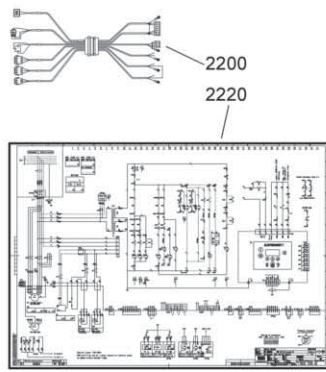
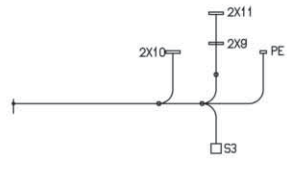
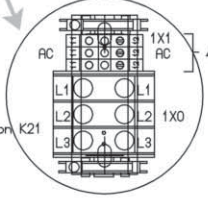
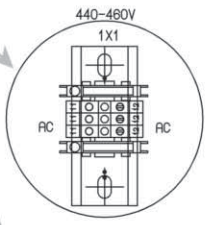
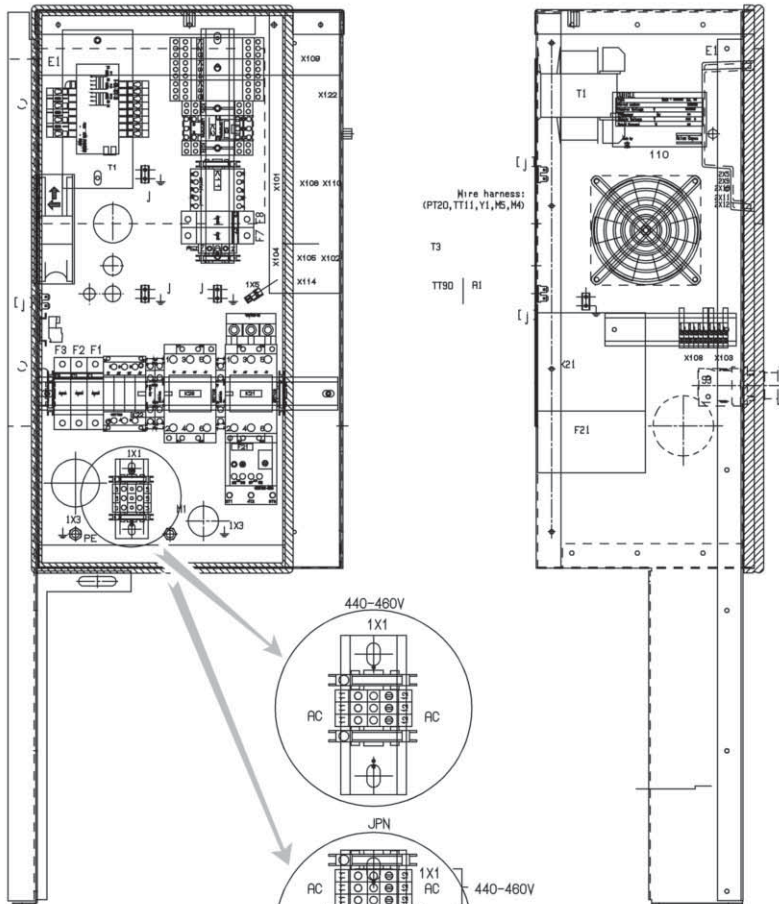


Start cubicle - IEC - Elektronikon II

Ref.	Part number	Qty	Name	Remarks	Ref.	Part number	Qty	Name	Remarks
	1089 0362 50		1900 2096 06			1088 0015 02		1900 2096 22	
	1089 0362 50		1900 2096 07		X101	• 2	Connector Socket		
	1089 0362 50		1900 2096 10			1088 0015 36		1900 2096 01	
	1089 0362 50		1900 2096 11			1088 0015 36		1900 2096 02	
	1089 0362 50		1900 2096 12			1088 0015 36		1900 2096 03	
	1089 0362 50		1900 2096 20			1088 0015 36		1900 2096 04	
	1089 0362 50		1900 2096 21			1088 0015 36		1900 2096 05	
	1089 0362 50		1900 2096 22			1088 0015 36		1900 2096 06	
S3	• 1	Emergency Stop Button				1088 0015 36		1900 2096 07	
	1089 0362 51		1900 2096 01			1088 0015 36		1900 2096 10	
	1089 0362 51		1900 2096 02			1088 0015 36		1900 2096 11	
	1089 0362 51		1900 2096 03			1088 0015 36		1900 2096 12	
	1089 0362 51		1900 2096 04			1088 0015 36		1900 2096 20	
	1089 0362 51		1900 2096 05			1088 0015 36		1900 2096 21	
	1089 0362 51		1900 2096 06			1088 0015 36		1900 2096 22	
	1089 0362 51		1900 2096 07		X102	• 1	Connector Female		
	1089 0362 51		1900 2096 10			1089 0700 01		1900 2096 01	
	1089 0362 51		1900 2096 11			1089 0700 01		1900 2096 02	
	1089 0362 51		1900 2096 12			1089 0700 01		1900 2096 03	
	1089 0362 51		1900 2096 20			1089 0700 01		1900 2096 04	
	1089 0362 51		1900 2096 21			1089 0700 01		1900 2096 05	
	1089 0362 51		1900 2096 22			1089 0700 01		1900 2096 06	
starter rail ends	• 2	End Bracket				1089 0700 01		1900 2096 07	
	1089 0506 30		1900 2096 01			1089 0700 01		1900 2096 10	
	1089 0506 30		1900 2096 02			1089 0700 01		1900 2096 11	
	1089 0506 30		1900 2096 03			1089 0700 01		1900 2096 12	
	1089 0506 30		1900 2096 04			1089 0700 01		1900 2096 20	
	1089 0506 30		1900 2096 05			1089 0700 01		1900 2096 21	
	1089 0506 30		1900 2096 06			1089 0700 01		1900 2096 22	
	1089 0506 30		1900 2096 07		X102	• 1	Connector Male		
	1089 0506 30		1900 2096 10			1089 0700 02		1900 2096 01	
	1089 0506 30		1900 2096 11			1089 0700 02		1900 2096 02	
	1089 0506 30		1900 2096 12			1089 0700 02		1900 2096 03	
	1089 0506 30		1900 2096 20			1089 0700 02		1900 2096 04	
	1089 0506 30		1900 2096 21			1089 0700 02		1900 2096 05	
	1089 0506 30		1900 2096 22			1089 0700 02		1900 2096 06	
T1	• 1	Transformer				1089 0700 02		1900 2096 07	
	1089 9436 38		1900 2096 01			1089 0700 02		1900 2096 10	
	1089 9436 38		1900 2096 02			1089 0700 02		1900 2096 11	
	1089 9436 43		1900 2096 03			1089 0700 02		1900 2096 12	
	1089 9436 43		1900 2096 04			1089 0700 02		1900 2096 20	
	1089 9436 43		1900 2096 05			1089 0700 02		1900 2096 21	
	1089 9436 43		1900 2096 06			1089 0700 02		1900 2096 22	
	1089 9436 43		1900 2096 07		X102	• 8	Connector Pin		
	1089 9436 43		1900 2096 10			1089 0700 03		1900 2096 01	
	1089 9436 43		1900 2096 11			1089 0700 03		1900 2096 02	
	1089 9436 43		1900 2096 12			1089 0700 03		1900 2096 03	
	1089 9436 43		1900 2096 20			1089 0700 03		1900 2096 04	
	1089 9436 43		1900 2096 21			1089 0700 03		1900 2096 05	
	1089 9436 43		1900 2096 22			1089 0700 03		1900 2096 06	
X101	• 1	Connector Male				1089 0700 03		1900 2096 07	
	1088 0015 02		1900 2096 01			1089 0700 03		1900 2096 10	
	1088 0015 02		1900 2096 02			1089 0700 03		1900 2096 11	
	1088 0015 02		1900 2096 03			1089 0700 03		1900 2096 12	
	1088 0015 02		1900 2096 04			1089 0700 03		1900 2096 20	
	1088 0015 02		1900 2096 05			1089 0700 03		1900 2096 21	
	1088 0015 02		1900 2096 06			1089 0700 03		1900 2096 22	
	1088 0015 02		1900 2096 07		X102	• 8	Connector Socket		
	1088 0015 02		1900 2096 10			1089 0700 04		1900 2096 01	
	1088 0015 02		1900 2096 11			1089 0700 04		1900 2096 02	
	1088 0015 02		1900 2096 12			1089 0700 04		1900 2096 03	
	1088 0015 02		1900 2096 20			1089 0700 04		1900 2096 04	
	1088 0015 02		1900 2096 21			1089 0700 04		1900 2096 05	



17



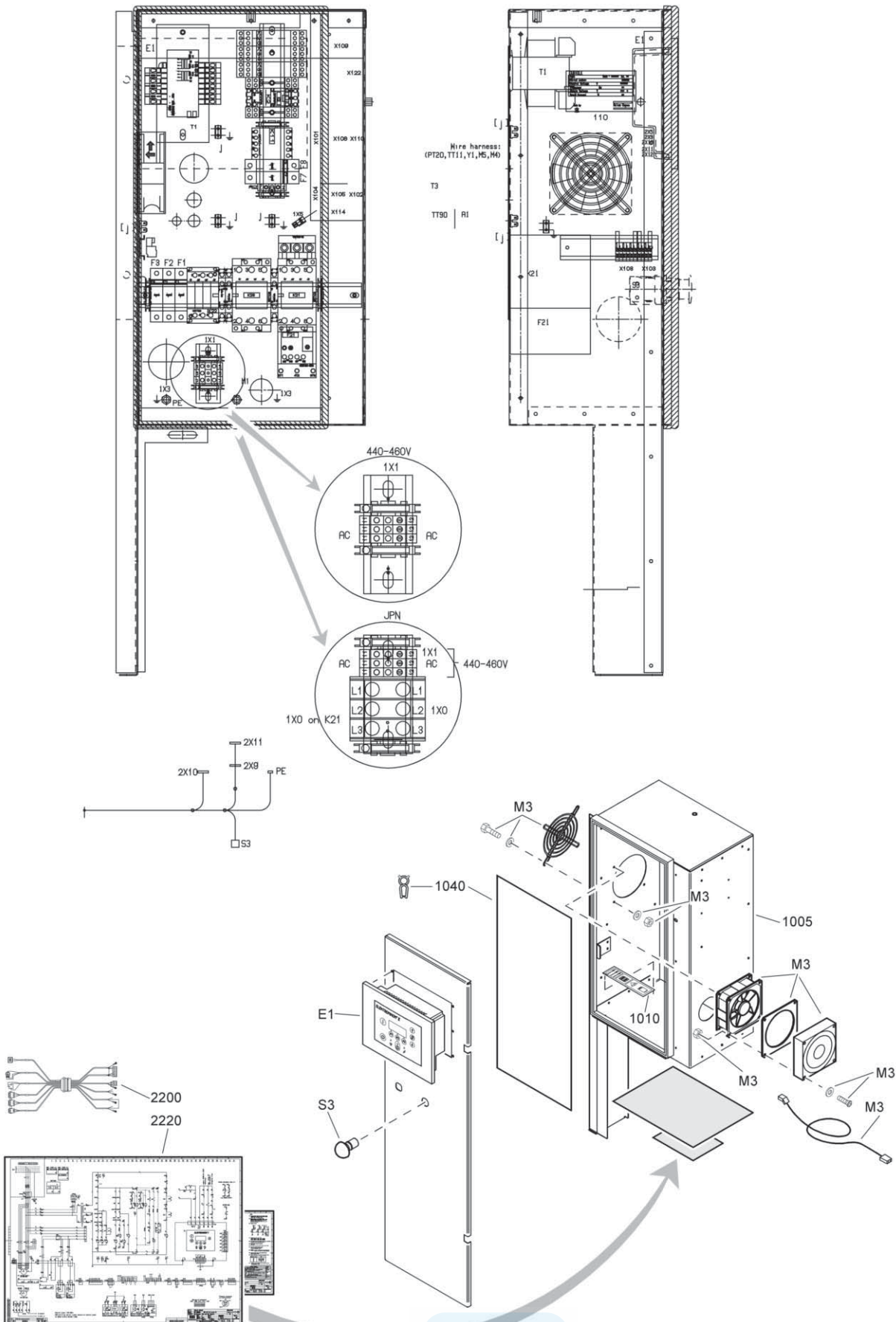
63475\_12

## Start cubicle - IEC - Elektronikon II

Ref.	Part number	Qty	Name	Remarks	Ref.	Part number	Qty	Name	Remarks
	1089 0700 04		1900 2096 06			1088 0037 31		1900 2096 20	
	1089 0700 04		1900 2096 07			1088 0037 31		1900 2096 21	
	1089 0700 04		1900 2096 10			1088 0037 31		1900 2096 22	
	1089 0700 04		1900 2096 11		X105		• 1	Connector Combi	
	1089 0700 04		1900 2096 12			1088 0031 42		1900 2096 20	
	1089 0700 04		1900 2096 20			1088 0031 42		1900 2096 21	
	1089 0700 04		1900 2096 21			1088 0031 42		1900 2096 22	
	1089 0700 04		1900 2096 22		X105-1X5		• 2	Connector Female	
X103		• 1	Connector Female			1088 0037 30		1900 2096 01	
	1088 0037 04		1900 2096 01			1088 0037 30		1900 2096 02	
	1088 0037 04		1900 2096 02			1088 0037 30		1900 2096 03	
	1088 0037 04		1900 2096 03			1088 0037 30		1900 2096 04	
	1088 0037 04		1900 2096 04			1088 0037 30		1900 2096 05	
	1088 0037 04		1900 2096 05			1088 0037 30		1900 2096 06	
	1088 0037 04		1900 2096 06			1088 0037 30		1900 2096 07	
	1088 0037 04		1900 2096 07			1088 0037 30		1900 2096 10	
	1088 0037 04		1900 2096 10			1088 0037 30		1900 2096 11	
	1088 0037 04		1900 2096 11			1088 0037 30		1900 2096 12	
	1088 0037 04		1900 2096 12			1088 0037 30		1900 2096 20	
	1088 0037 04		1900 2096 20			1088 0037 30		1900 2096 21	
	1088 0037 04		1900 2096 21			1088 0037 30		1900 2096 22	
	1088 0037 04		1900 2096 22		X106		• 1	Connector Female	
X103		• 1	Connector Male			1088 0031 22		1900 2096 01	
	1088 0031 84		1900 2096 01			1088 0031 22		1900 2096 02	
	1088 0031 84		1900 2096 02			1088 0031 22		1900 2096 03	
	1088 0031 84		1900 2096 03			1088 0031 22		1900 2096 04	
	1088 0031 84		1900 2096 04			1088 0031 22		1900 2096 05	
	1088 0031 84		1900 2096 05			1088 0031 22		1900 2096 06	
	1088 0031 84		1900 2096 06			1088 0031 22		1900 2096 07	
	1088 0031 84		1900 2096 07			1088 0031 22		1900 2096 10	
	1088 0031 84		1900 2096 10			1088 0031 22		1900 2096 11	
	1088 0031 84		1900 2096 11			1088 0031 22		1900 2096 12	
	1088 0031 84		1900 2096 12			1088 0031 22		1900 2096 20	
	1088 0031 84		1900 2096 20			1088 0031 22		1900 2096 21	
	1088 0031 84		1900 2096 21			1088 0031 22		1900 2096 22	
	1088 0031 84		1900 2096 22		X106		• 1	Connector Male	
X103-X108		• 4	Adaptor			1088 0031 82		1900 2096 01	
	1088 0031 18		1900 2096 01			1088 0031 82		1900 2096 02	
	1088 0031 18		1900 2096 02			1088 0031 82		1900 2096 03	
	1088 0031 18		1900 2096 03			1088 0031 82		1900 2096 04	
	1088 0031 18		1900 2096 04			1088 0031 82		1900 2096 05	
	1088 0031 18		1900 2096 05			1088 0031 82		1900 2096 06	
	1088 0031 18		1900 2096 06			1088 0031 82		1900 2096 07	
	1088 0031 18		1900 2096 07			1088 0031 82		1900 2096 10	
	1088 0031 18		1900 2096 10			1088 0031 82		1900 2096 11	
	1088 0031 18		1900 2096 11			1088 0031 82		1900 2096 12	
	1088 0031 18		1900 2096 12			1088 0031 82		1900 2096 20	
	1088 0031 18		1900 2096 20			1088 0031 82		1900 2096 21	
	1088 0031 18		1900 2096 21			1088 0031 82		1900 2096 22	
	1088 0031 18		1900 2096 22		X108		• 1	Connector Female	
X104		• 1	Connector Female			1088 0037 06		1900 2096 01	
	1088 0037 31		1900 2096 01			1088 0037 06		1900 2096 02	
	1088 0037 31		1900 2096 02			1088 0037 06		1900 2096 03	
	1088 0037 31		1900 2096 03			1088 0037 06		1900 2096 04	
	1088 0037 31		1900 2096 04			1088 0037 06		1900 2096 05	
	1088 0037 31		1900 2096 05			1088 0037 06		1900 2096 06	
	1088 0037 31		1900 2096 06			1088 0037 06		1900 2096 07	
	1088 0037 31		1900 2096 07			1088 0037 06		1900 2096 10	
	1088 0037 31		1900 2096 10			1088 0037 06		1900 2096 11	
	1088 0037 31		1900 2096 11			1088 0037 06		1900 2096 12	
	1088 0037 31		1900 2096 12			1088 0037 06		1900 2096 20	



# 17

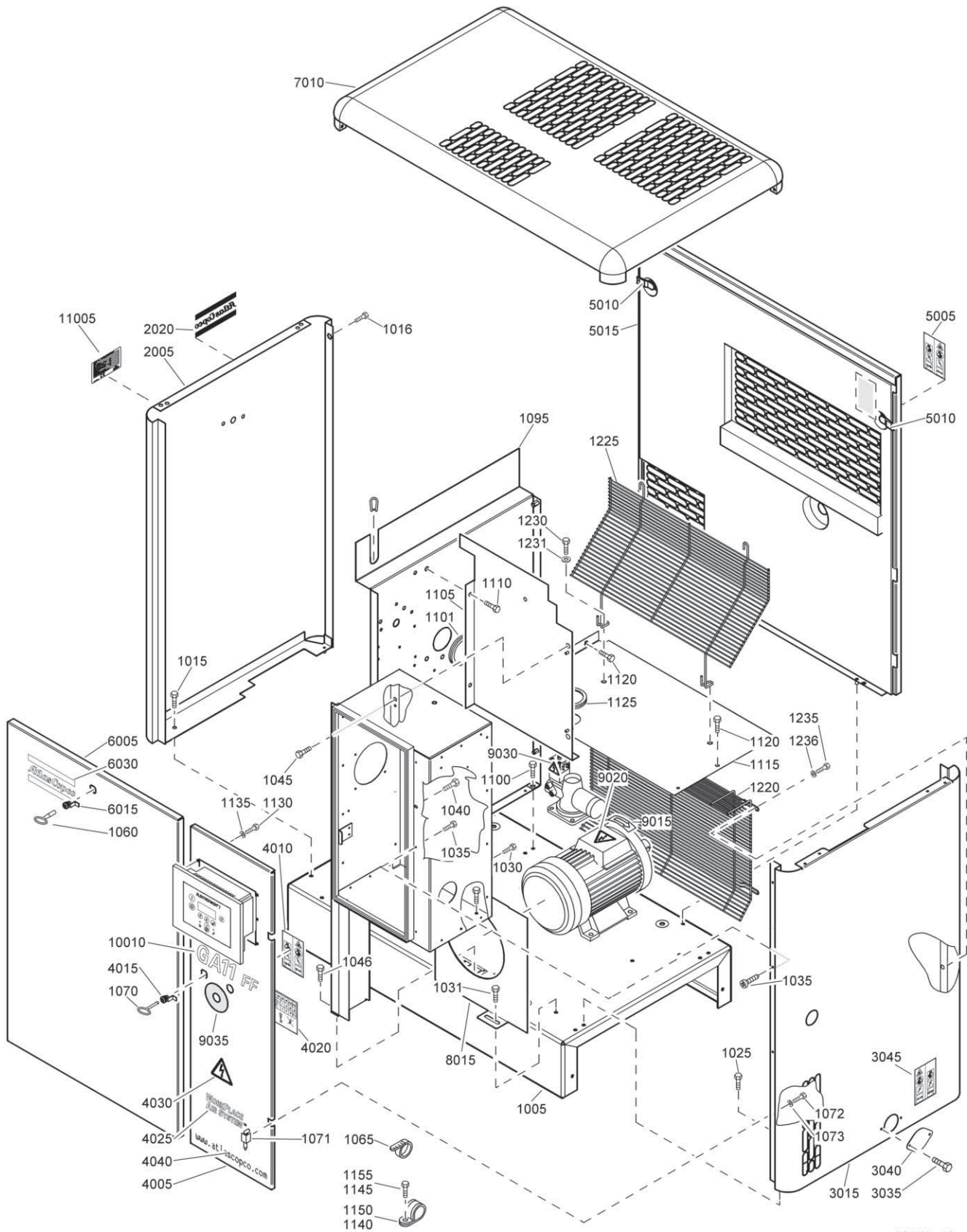


## Start cubicle - IEC - Elektronikon II

Ref.	Part number	Qty	Name	Remarks	Ref.	Part number	Qty	Name	Remarks
X108	1088 0037 06	• 1	1900 2096 21	Connector Male	X114	1088 0015 05	• 1	Connector Male	
	1088 0037 06		1900 2096 22			1088 0015 05		1900 2096 01	
	1088 0031 86		1900 2096 01			1088 0015 05		1900 2096 02	
	1088 0031 86		1900 2096 02			1088 0015 05		1900 2096 03	
	1088 0031 86		1900 2096 03			1088 0015 05		1900 2096 04	
	1088 0031 86		1900 2096 04			1088 0015 05		1900 2096 05	
	1088 0031 86		1900 2096 05			1088 0015 05		1900 2096 06	
	1088 0031 86		1900 2096 06			1088 0015 05		1900 2096 07	
	1088 0031 86		1900 2096 07			1088 0015 05		1900 2096 10	
	1088 0031 86		1900 2096 10			1088 0015 05		1900 2096 11	
	1088 0031 86		1900 2096 11			1088 0015 05		1900 2096 12	
	1088 0031 86		1900 2096 12			1088 0015 05		1900 2096 20	
	1088 0031 86		1900 2096 20			1088 0015 05		1900 2096 21	
	1088 0031 86		1900 2096 21			1088 0015 05		1900 2096 22	
1088 0031 86	1900 2096 22	• 5	Connector Socket	X114	1088 0015 36	1900 2096 01			
X109	1088 0037 32		1900 2096 01		1088 0015 36	1900 2096 02			
	1088 0037 32		1900 2096 02		1088 0015 36	1900 2096 03			
	1088 0037 32		1900 2096 03		1088 0015 36	1900 2096 04			
	1088 0037 32		1900 2096 04		1088 0015 36	1900 2096 05			
	1088 0037 32		1900 2096 05		1088 0015 36	1900 2096 06			
	1088 0037 32		1900 2096 06		1088 0015 36	1900 2096 07			
	1088 0037 32		1900 2096 07		1088 0015 36	1900 2096 10			
	1088 0037 32		1900 2096 10		1088 0015 36	1900 2096 11			
	1088 0037 32		1900 2096 11		1088 0015 36	1900 2096 12			
	1088 0037 32		1900 2096 12		1088 0015 36	1900 2096 20			
	1088 0037 32		1900 2096 20		1088 0015 36	1900 2096 21			
	1088 0037 32		1900 2096 21		1088 0015 36	1900 2096 22			
	1088 0037 32		1900 2096 22		• 1	Connector Female	X122	1088 0031 75	1900 2096 01
	X110	1088 0031 23	1900 2096 01	1088 0031 75		1900 2096 02			
1088 0031 23		1900 2096 02	1088 0031 75	1900 2096 03					
1088 0031 23		1900 2096 03	1088 0031 75	1900 2096 04					
1088 0031 23		1900 2096 04	1088 0031 75	1900 2096 05					
1088 0031 23		1900 2096 05	1088 0031 75	1900 2096 06					
1088 0031 23		1900 2096 06	1088 0031 75	1900 2096 07					
1088 0031 23		1900 2096 07	1088 0031 75	1900 2096 10					
1088 0031 23		1900 2096 10	1088 0031 75	1900 2096 11					
1088 0031 23		1900 2096 11	1088 0031 75	1900 2096 12					
1088 0031 23		1900 2096 12	1088 0031 75	1900 2096 20					
1088 0031 23		1900 2096 20	1088 0031 75	1900 2096 21					
1088 0031 23		1900 2096 21	1088 0031 75	1900 2096 22					
1088 0031 23		1900 2096 22	• 1	Connector Female		1005		1622 1085 00	Cubicle assembly
X110		1088 0031 23		1900 2096 01	1622 1117 00		No HAV		
	1088 0031 83	1900 2096 02		1040 1202 6584 00	HAV				
	1088 0031 83	1900 2096 03		E1 1900 0710 12	Seal				
	1088 0031 83	1900 2096 04		- 1622 2591 80	1 Regulator Elektronikon II				
	1088 0031 83	1900 2096 05		2200 1622 0873 46	1 Mounting plate				
	1088 0031 83	1900 2096 06		2220 9823 3598 15	1 Wire harness				
	1088 0031 83	1900 2096 07			1 Service diagram				
	1088 0031 83	1900 2096 10							
	1088 0031 83	1900 2096 11							
	1088 0031 83	1900 2096 12							
	1088 0031 83	1900 2096 20							
	1088 0031 83	1900 2096 21							
	1088 0031 83	1900 2096 22							



# 18



63478\_10

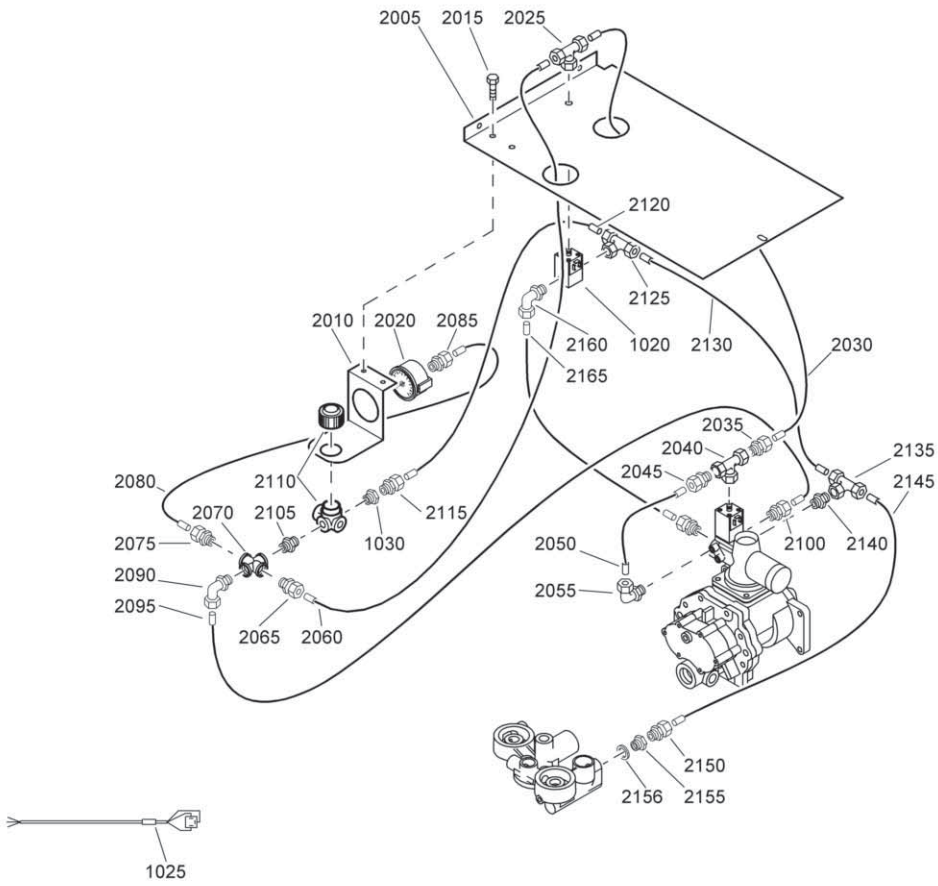


## Bodywork

Ref.	Part number	Qty	Name	Remarks	Ref.	Part number	Qty	Name	Remarks
1005	1622 0856 00	1	Frame		4010	1079 9903 48	• 1	Warning label	
1015	0147 1963 08	1	Hexagon bolt		4015	1619 7705 00	• 1	Lock	
1016	0147 1963 08	1	Hexagon bolt		4020	1079 9906 09	• 1	Label	
1025	0147 1963 08	2	Hexagon bolt		4025	1613 9846 00	• 1	Decal workplace	
1030	0147 1963 08	1	Hexagon bolt		4030	1088 1001 03	• 1	Warning mark	
1031	0147 1963 08	1	Hexagon bolt		4040	1079 9920 83	• 1	Label website	
1035	0226 3256 00	3	Tapping screw			<b>1622 3527 80</b>	<b>1</b>	<b>Back panel assembly</b>	1)5)
1040	0147 1963 08	1	Hexagon bolt		5005	1079 9903 48	• 1	Warning label	
1045	0147 1963 08	2	Hexagon bolt		5010	1513 0431 00	• 2	Door lock	
1046	0147 1963 08	2	Hexagon bolt		5015	1622 3527 00	• 1	Panel	
1060	1089 9068 01	1	Key			1616 2987 00	• 2	Plug	
1065	1088 1301 02	1	Cable strip			1622 0862 00	• 2	Positioning pen	
1070	1089 9154 02	1	Key			<b>1622 0809 80</b>	<b>1</b>	<b>Front panel assembly</b>	1)
1071	1202 6400 00	2	Hinge		6005	1622 0809 00	• 1	Door	
1072	0147 1244 03	2	Hexagon bolt		6015	1513 0431 00	• 1	Door lock	
1073	0301 2321 00	2	Washer			1616 2987 00	• 2	Plug	
<b>1095</b>	<b>1622 0899 00</b>	<b>1</b>	<b>Plate</b>			1622 0862 00	• 2	Positioning pen	
	1622 0862 00	• 2	Positioning pen		6030	0690 1116 01	• 1	House mark	
	1619 2758 00	• AR	Seal		<b>7010</b>	<b>1622 0847 80</b>	<b>1</b>	<b>Roof assy</b>	1)
1100	0147 1963 08	2	Hexagon bolt			1079 2903 03	• 4	Panel pin	
1101	1088 0803 27	1	Grommet			0266 2107 00	• 4	Nut	
1105	1622 1173 00	1	Baffle		8015	1622 0866 81	1	Motor baffle	2)
1110	0147 1963 08	3	Hexagon bolt		9015	1503 0786 00	1	Rotation arrow	
1115	1622 0802 80	1	Baffle	1)	9020	1088 1001 02	1	Warning mark	
1120	0147 1963 08	3	Hexagon bolt		9030	1088 1001 01	1	Warning mark	
1125	1088 0803 27	1	Grommet		9035	1089 9125 05	1	Round disk	
1130	0147 1169 03	4	Hexagon bolt		10010		1	Decal	
1135	0301 2315 00	4	Washer			1622 4631 53		GA5	
1140	0346 1002 07	1	Clamp			1622 4631 54		GA5 FF	
1145	0147 1962 65	1	Hexagon bolt			1622 4631 55		GA7	
1150	0346 1002 07	1	Clamp			1622 4631 56		GA7 FF	
1155	0147 1962 65	1	Hexagon bolt			1622 4631 57		GA11	
1220	1622 1000 00	1	Grating			1622 4631 58		GA11 FF	
1225	1622 0993 00	1	Grating		11005	1622 1900 00	2	Data label	
1230	0147 1325 03	4	Hexagon bolt						
1231	0300 0274 34	4	Washer		1-5)			Lined with / Bekleed met / Beklädd med / Ausgekleidet mit / Garnir de / Rivestido de / Allineato con / Foret med / Revestido com / Kledd med / Vuorattu :	
1235	0147 1247 03	4	Hexagon bolt					1) Foam : 0395 6001 66 (AR) 25 x 2040 x 1650 self-adhesive	
1236	0301 2321 00	4	Washer					2) Foam : 0395 6001 67 (AR) 30 x 2040 x 1650 self-adhesive	
	<b>1622 0803 80</b>	<b>1</b>	<b>Left panel assembly</b>	1)				3) Foam : 0395 6001 68 (AR) 40 x 2040 x 1650 self-adhesive	
2005	1622 0803 00	• 1	Left panel					4) Foam : 0395 6001 69 (AR) 50 x 2040 x 1650 self-adhesive	
	1622 0862 00	• 1	Positioning pen					5) Foam : 0395 6001 73 (AR) 80 x 2040 x 1650 self-adhesive	
2020	0690 1116 00	• 1	House mark						
	<b>1622 0936 80</b>	<b>1</b>	<b>Right panel assembly</b>	1)4)					
3015	1622 0936 00	• 1	Right panel						
3035	0226 3256 00	• 2	Tapping screw						
3040	1622 0805 00	• 1	Service panel						
3045	1079 9903 48	• 1	Warning label						
		<b>1</b>	<b>Door assembly</b>	3)					
	<b>1622 2587 80</b>		Elektronikon I <sup>+</sup>						
	<b>1622 1162 80</b>		Elektronikon II						
4005		• 1	Panel						
	1622 2587 00		Elektronikon I <sup>+</sup>						
	1622 1162 00		Elektronikon II						



# 19



61785\_20

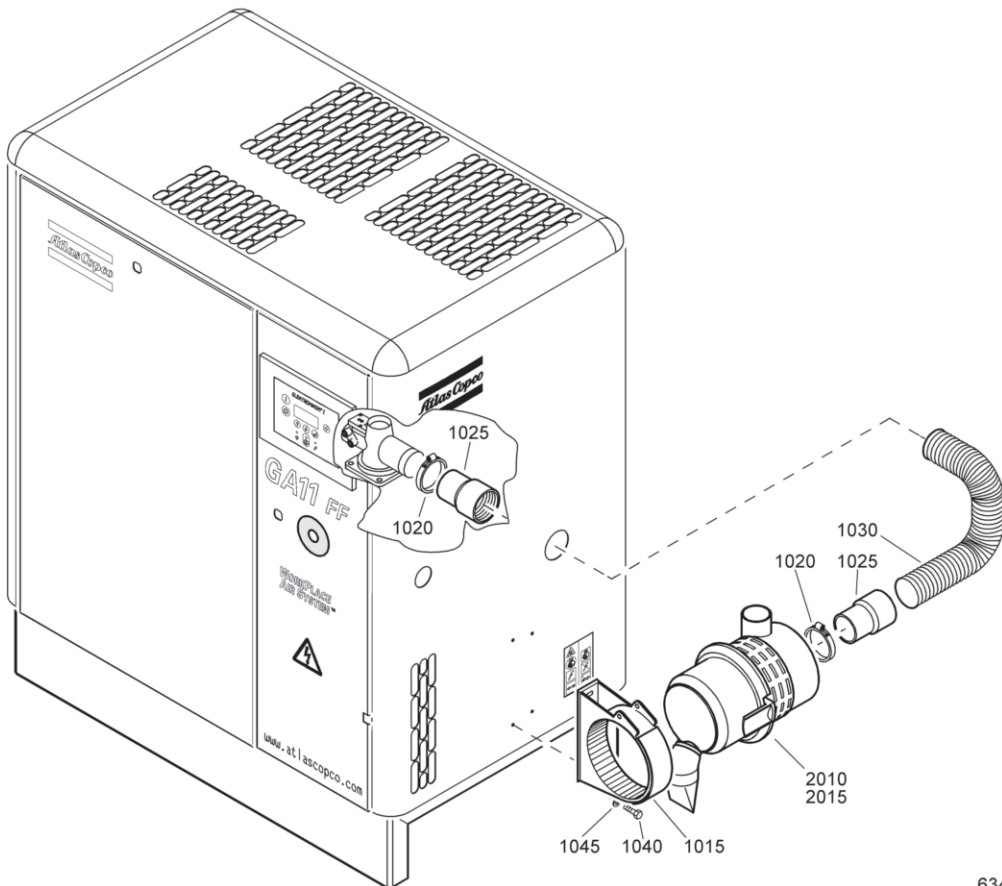
## Modulating control - GA 7, GA 11

Ref.	Part number	Qty	Name	Remarks	Ref.	Part number	Qty	Name	Remarks
1020		1	Solenoid valve		2065	0581 0000 77	1	Pipe coupling	
	1089 0621 09		50Hz		2070	0560 4400 85	1	Cross	
	1089 0621 02		60Hz		2075	0581 0000 77	1	Pipe coupling	
1025	1622 1295 03	1	Cable		2080	0070 6002 04	AR	Plastic tube	
	1088 0031 53	1	Connector		2085	0581 0000 82	1	Pipe coupling	
	0694 5285 14	1	Cable lug		2090	0581 1200 26	1	Elbow coupling	
	1622 1295 03		IEC		2095	0070 6002 05	AR	Plastic tube	
	1088 0031 53	1	Connector		2100	0581 0000 35	1	Coupling	
	0694 5285 14	1	Cable lug		2105	1503 2564 10	1	Nipple	
1030		1	Nozzle		2110	1613 6961 00	1	Regulator	
	1613 6968 03		GA 7		2115	0581 0000 35	1	Coupling	
	1613 6968 03		GA 11 - 7.5bar(e)		2120	0070 6002 05	AR	Plastic tube	
	1613 6968 04		GA 11 - 10bar(e)		2125	0581 2000 30	1	Coupling	
	1613 6968 04		GA 11 - 13bar(e)		2130	0070 6002 05	AR	Plastic tube	
	1613 6968 03		GA 11 - 100psig		2135	0581 2000 30	1	Coupling	
	1613 6968 04		GA 11 - 150psig		2140	1613 9112 00	1	Adaptor	
	1613 6968 04		GA 11 - 175psig		2145	0070 6002 05	AR	Plastic tube	
2005	1622 0884 80	1	Baffle assy		2150	0581 0000 35	1	Coupling	
<b>2010</b>	<b>1622 0886 00</b>	<b>1</b>	<b>Support</b>	1)	2155	0605 8700 90	1	Bushing	
2015	0147 1963 08	2	Hexagon bolt		2160	0581 1200 16	1	Coupling(elbow)	
2020	1513 0480 00	1	Pressure gauge		2165	0070 6002 04	AR	Plastic tube	
2025	0581 2000 32	1	Tee		2170	0581 0000 77	1	Pipe coupling	
2030	0070 6002 04	AR	Plastic tube						
2035	0581 0000 77	1	Pipe coupling		1)			Lined with / Bekleed met / Beklädd med /	
2040	1503 2566 01	1	Tee					Ausgekleidet mit / Garni de / Revestido de /	
2045	0581 0000 77	1	Pipe coupling					Allineato con / Foret med / Revestido com /	
2050	0070 6002 04	AR	Plastic tube					Kledd med / Vuorattu	
2055	0581 1200 16	1	Coupling(elbow)					Foam : 0395 6001 66 (AR) 25 x 2040 x 1650	
2060	0070 6002 04	AR	Plastic tube						



# 20

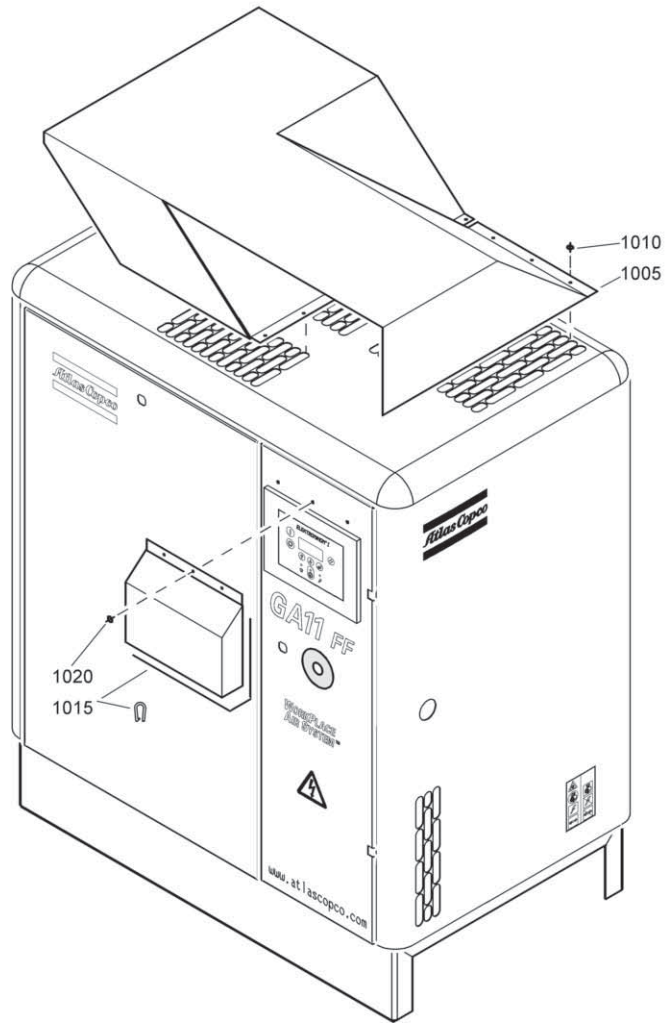
## Heavy duty filter



63479\_02

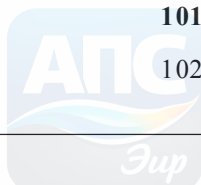
Ref.	Part number	Qty	Name	Remarks	Ref.	Part number	Qty	Name	Remarks
	<b>8092 2484 52</b>	<b>1</b>	<b>Heavy duty filter</b>		1040	0147 1327 03 •	2	Hexagon bolt	
1015	1613 9105 00 •	1	Support		1045	0301 2335 00 •	2	Washer	
1020	0347 6113 00 •	2	Hose clip			<b>1613 9106 80 •</b>	<b>1</b>	<b>Air filter ass'y</b>	
1025	1613 9104 00 •	2	Coupling		2010	1613 9107 00 ••	1	Air filter elem	
1030	1613 9103 00 •	AR	Hose		2015	1613 9106 00 ••	1	Air filter	

**Rain protection**



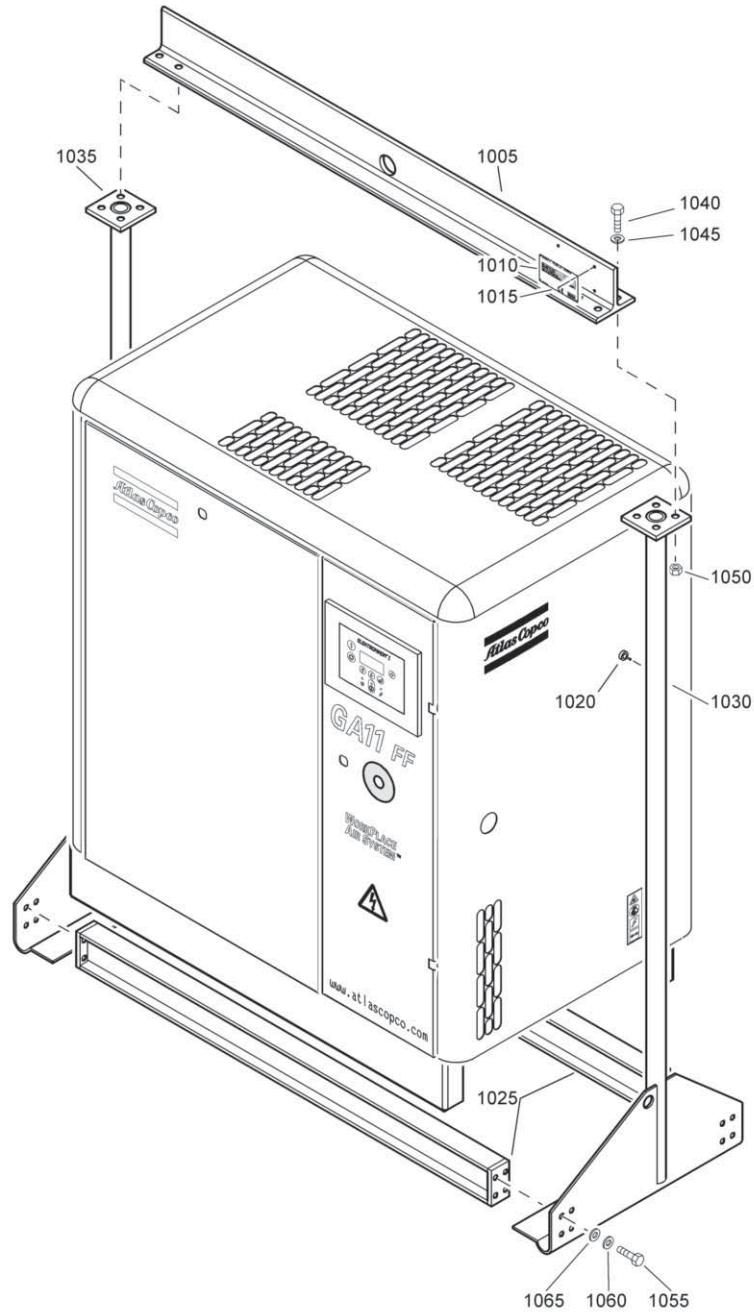
63480\_10

Ref.	Part number	Qty	Name	Remarks	Ref.	Part number	Qty	Name	Remarks
1005	1622 0877 00	1	Rain protection		1015	1613 7954 81	1	Baffle ass'y	
1010	0226 3256 00	15	Tapping screw		1503	1056 00	• 1	AR Seal	
					1020	0129 3115 00	3	Blind rivet	



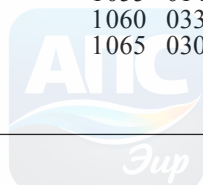
# 22

## Lifting device

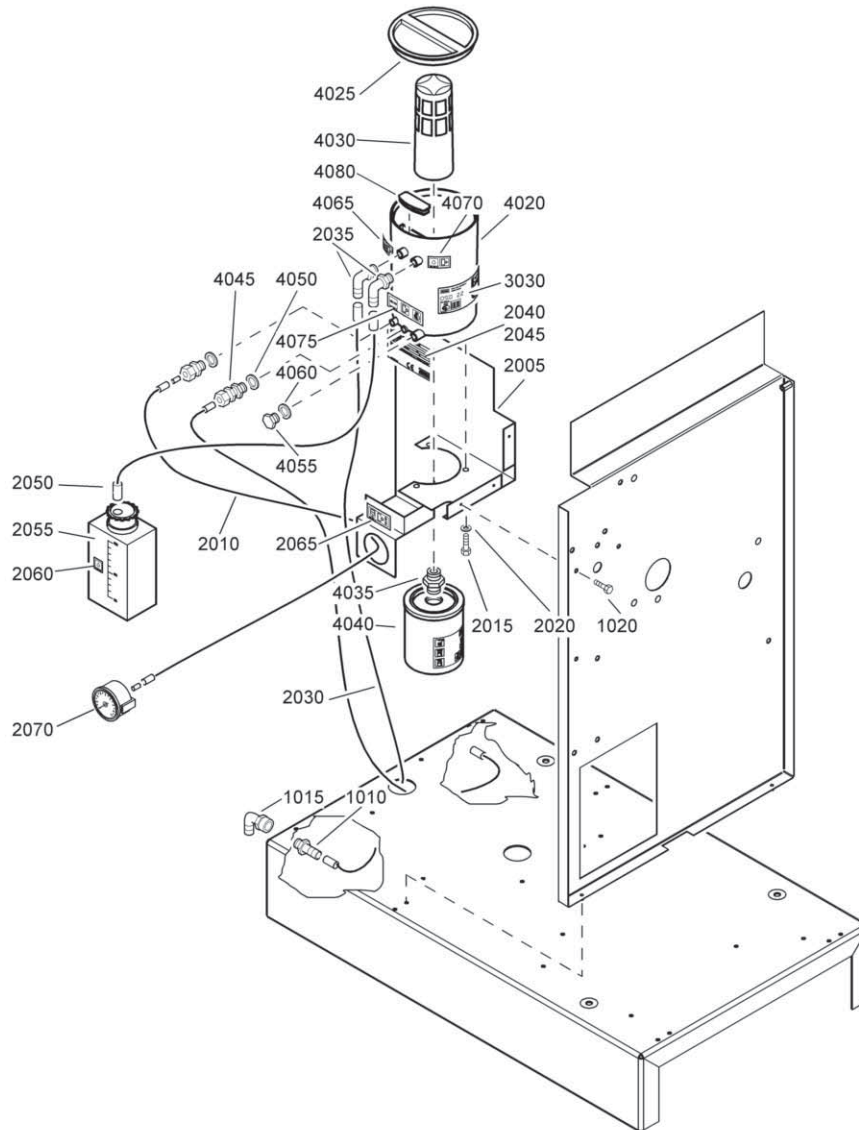


63481\_10

Ref.	Part number	Qty	Name	Remarks	Ref.	Part number	Qty	Name	Remarks
	<b>8092 2483 79</b>	<b>1</b>	<b>Standard option</b>		1035	1622 0883 00	• 1	Lifting device	
1005	1622 0880 00	• 1	Lifting device		1040	0147 1363 03	• 8	Hexagon bolt	
1010	1613 7394 03	• 1	Data plate		1045	0301 2344 00	• 8	Washer	
1015	0160 6021 00	• 4	Rivet m3		1050	0291 1111 00	• 8	Lock nut	
1020	1619 0269 00	• 2	Rubber bumper		1055	0147 1363 03	• 16	Hexagon bolt	
1025	1622 0881 00	• 2	Lifting device		1060	0333 2174 03	• 16	Freedom fastener	
1030	1622 0882 00	• 1	Lifting device		1065	0301 2344 00	• 16	Washer	



**Drain system - Oil Separator condensate Drain**



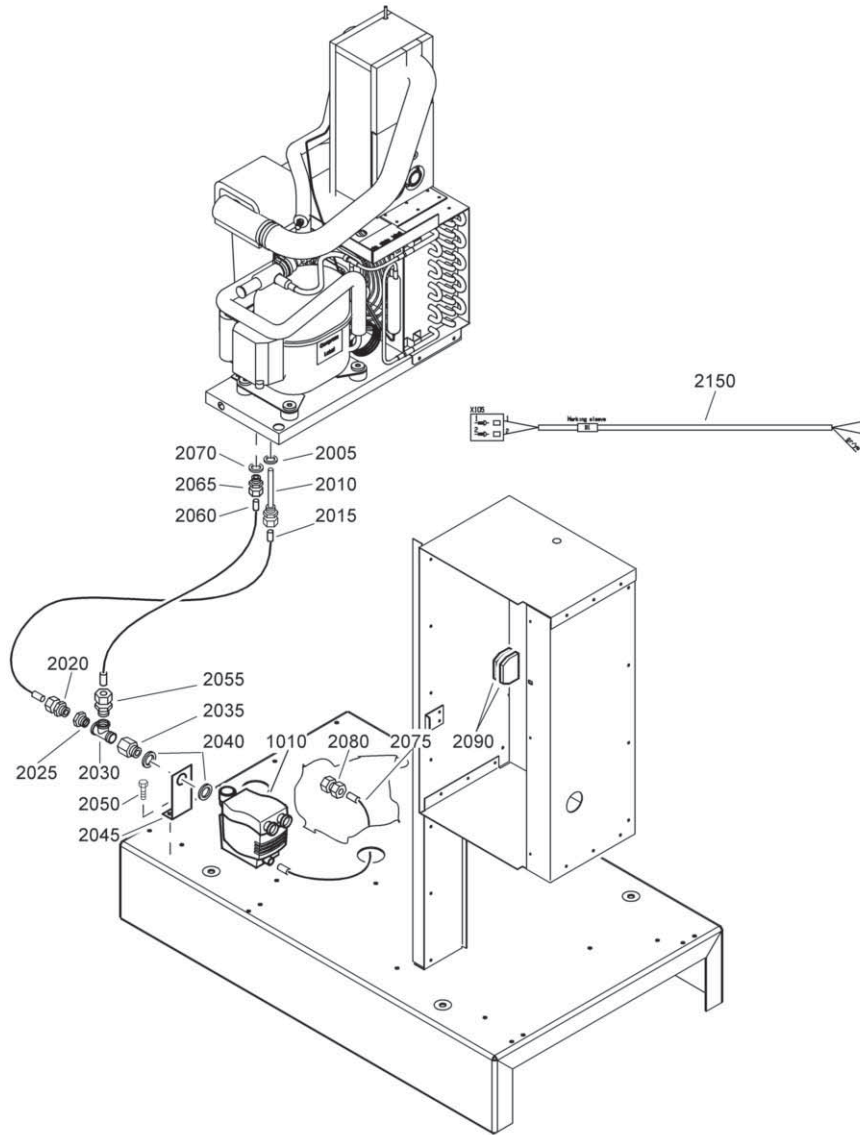
61774\_06

Ref.	Part number	Qty	Name	Remarks	Ref.	Part number	Qty	Name	Remarks
	<b>8092 2483 12</b>	<b>1</b>	<b>Standard option</b>		2070	1615 7264 00	●●	1	Pressure gauge
			OSD 22			<b>1613 7603 81</b>	●●	<b>1</b>	<b>OSD 22 sub ass'y</b>
1010	1613 7341 00	●	1	Pipe coupling	3030	1079 9909 06	●●●	1	Label
1015	1613 7342 00	●	1	Elbow coupling		<b>1613 7603 80</b>	●●●	<b>1</b>	<b>OSD assembly</b>
1020	0147 1963 08	●	3	Hexagon bolt	4020	1613 7603 00	●●●●	1	Housing
	<b>1622 0849 80</b>	●	<b>1</b>	<b>OSD 22</b>	4025	1613 7604 00	●●●●	1	Plug
2005	1622 0849 00	●●	1	Plate	4030	1613 7299 00	●●●●	1	Filter
2010	0070 6002 05	●●	AR	Plastic tube	4035	1613 7601 00	●●●●	1	Check valve
2015	0226 0301 00	●●	3	Tapping screw	4040	1613 7602 00	●●●●	1	Oil separator
2020	0300 0275 23	●●	3	Plain washer	<b>4045</b>	<b>1613 7378 00</b>	●●●●	<b>1</b>	<b>Strainer</b>
2030	0070 6002 14	●●	AR	Plastic tube		0581 2024 25	●●●●●	1	Sleeve
2035	1613 7985 00	●●	2	Nipple	4050	0653 0500 47	●●●●	1	Gasket
2040	1613 7384 00	●●	1	Data plate	4055	0686 3716 02	●●●●	1	Hexagon plug
2045	0129 3103 00	●●	4	Blind rivet	4060	0653 9098 00	●●●●	1	Flat gasket
2050	0070 6002 14	●●	AR	Plastic tube	4065	1079 9913 69	●●●●	1	Inform.label
2055	1613 7657 00	●●	1	Oil can	4070	1079 9912 28	●●●●	1	Decal
2060	1079 9912 38	●●	1	Decal	4075	1079 9912 07	●●●●	1	Decal
2065	1079 9912 11	●●	1	Decal	4080	1613 7945 00	●●●●	1	Plug
2070	1615 7264 00	●●	1	Pressure gauge					



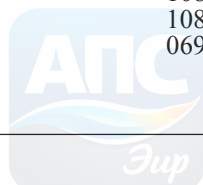
# 24

## Drain system - Electronic Drain - Floor mounted

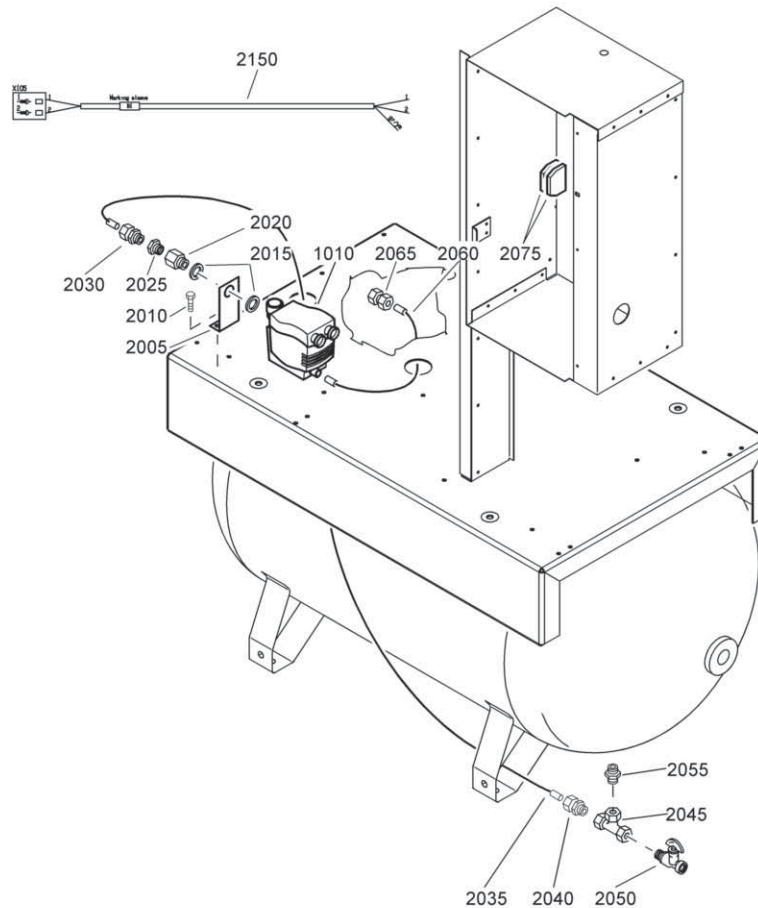


62835\_06

Ref.	Part number	Qty	Name	Remarks	Ref.	Part number	Qty	Name	Remarks
1010	1613 8913 02	1	EWD 50		2065	0581 0000 45	1	Pipe coupling	
2005	0661 1000 39	1	Seal washer		2070	0661 1000 39	1	Seal washer	
2010	1613 8084 00	1	Pipe coupling		2075	0070 6002 05	AR	Plastic tube	
2015	0070 6002 05	AR	Plastic tube		2080	0581 0000 55	1	Pipe coupling	
2020	0581 0000 35	1	Coupling		<b>2150</b>		<b>1</b>	<b>Wiring</b>	
2025	0605 8700 90	1	Bushing		<b>1622 0629 12</b>			Elektronikon I+	
2030	1503 2566 13	1	Tee		1088 0031 42 •	1	Connector		
2035	1613 9029 00	1	Nipple		<b>1622 0629 00</b>			Elektronikon II	
2040	0661 1000 39	2	Seal washer		1088 0031 42 •	1	Connector		
2045	1622 0833 00	1	Support		1088 0031 54 •	1	Connector		
2050	0226 3256 00	2	Tapping screw		0694 5285 13 •	1	Cable lug		
2060	0070 6002 06	AR	Plastic tube						



**Drain system - Electronic Water Drain - Tank mounted**



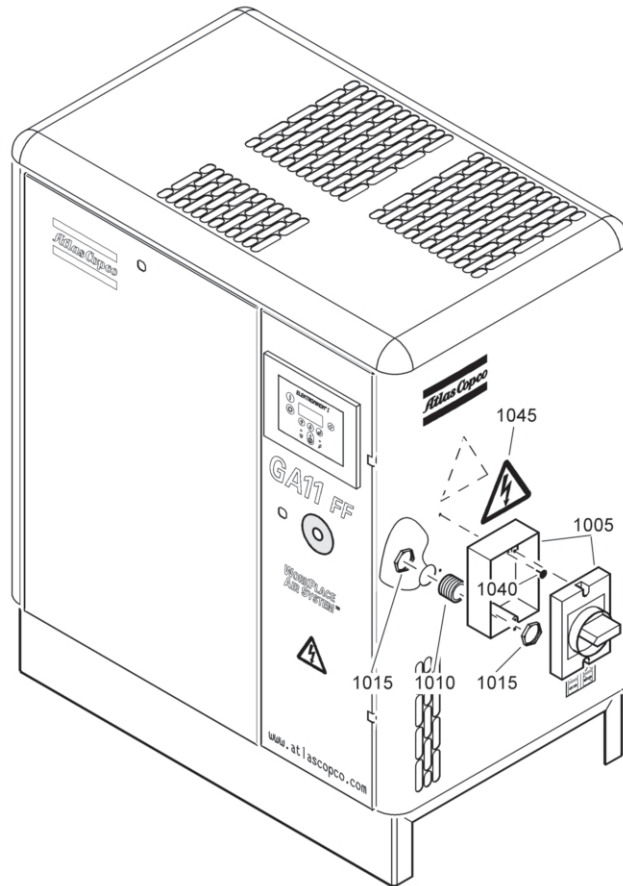
62836\_06

Ref.	Part number	Qty	Name	Remarks	Ref.	Part number	Qty	Name	Remarks
1010	1613 8913 02	1	EWD 50		2055	1503 2564 11	1	Nipple	
2005	1622 0833 00	1	Support		2060	0070 6002 05	AR	Plastic tube	
2010	0226 3256 00	2	Tapping screw		2065	0581 0000 55	1	Pipe coupling	
2015	0661 1000 39	2	Seal washer		<b>2150</b>		<b>1</b>	<b>Wiring</b>	
2020	1613 9029 00	1	Nipple			<b>1622 0629 12</b>		Elektronikon I+	
2025	0605 8700 90	1	Bushing			1088 0031 42	• 1	Connector	
2030	0581 0000 35	1	Coupling			<b>1622 0629 00</b>		Elektronikon II	
2035	0070 6002 05	AR	Plastic tube			1088 0031 42	• 1	Connector	
2040	0581 0000 35	1	Coupling			1088 0031 54	• 1	Connector	
2045	1503 2566 11	1	Tee			0694 5285 13	• 1	Cable lug	
2050	0852 0010 36	1	Ball valve						



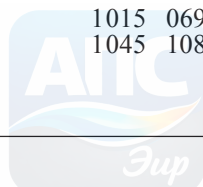
# 26

## Main switch

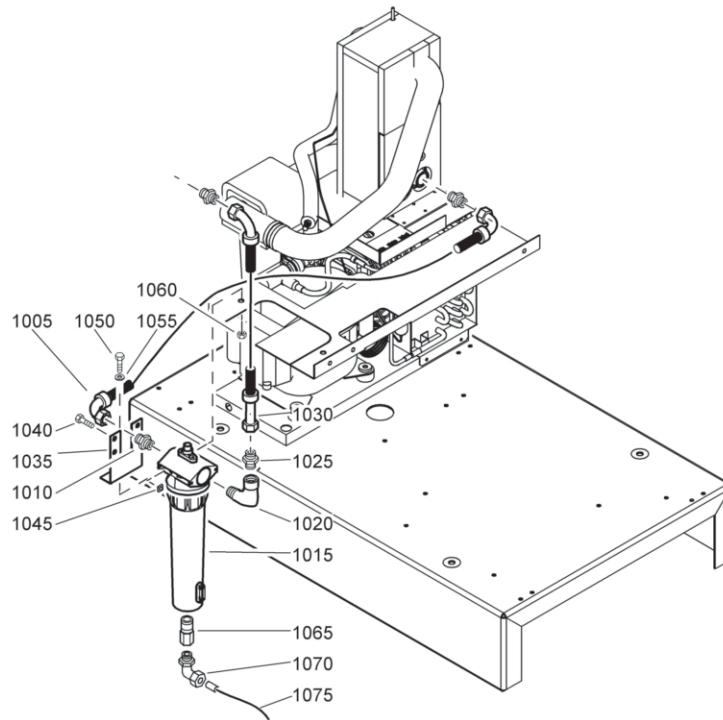


63482\_12

Ref.	Part number	Qty	Name	Remarks	Ref.	Part number	Qty	Name	Remarks
	<b>8092 2483 46</b>	<b>1</b>	<b>Main switch</b>		1015	0697 9809 06	• 2	Lock nut	
1005	1089 9445 03	• 1	Load disconnect		1045	1088 1001 04	• 1	Warning mark	
1010	0697 9910 12	• 1	Nipple						



**DD filter kit - WorkPlace Full-feature**

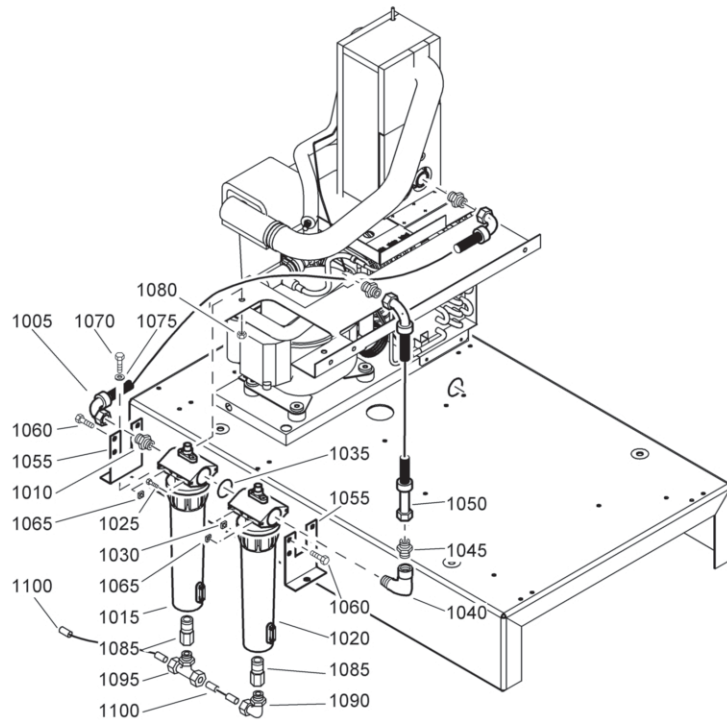


61776\_02

Ref.	Part number	Qty	Name	Remarks	Ref.	Part number	Qty	Name	Remarks
	<b>8092 2485 36</b>	<b>1</b>	<b>Standard option</b>						
			DD filter kit		1055	0301 2335 00	• 1	Washer	
					1060	0266 2110 00	• 1	Nut	
1005	0574 9911 28	• 1	Hose assy		1065	1617 7082 02	• 1	Quick coupling	
1010	0571 0035 55	• 1	Nipple		1070	0581 1228 04	• 1	Elbow	
1015	1617 7201 00	• 1	Filter DD 32		1075	0070 6002 05	• AR	Plastic tube	
1020	1503 2565 33	• 1	Bend		1080	0581 2000 25	• 1	Pipe coupling	
1025	0571 0035 55	• 1	Nipple		1085	0070 6002 05	• AR	Plastic tube	
1030	0574 9911 29	• 1	Hose assy		1090	0581 0000 55	• 1	Pipe coupling	
1035	1622 0854 00	• 1	Bracket		1095	0661 1000 39	• 1	Seal washer	
1040	0162 4247 00	• 2	Bolt		1100	0581 0000 34	• 1	Coupling	
1045	0282 0000 07	• 2	Square nut		1105	0070 6002 04	• AR	Plastic tube	
1050	0147 1323 03	• 1	Hexagon bolt		1110	0581 0000 33	• 1	Coupling	

# 28

## DD/PD filter kit - WorkPlace Full-feature



61786\_02

Ref.	Part number	Qty	Name	Remarks	Ref.	Part number	Qty	Name	Remarks
	<b>8092 2484 60</b>	<b>1</b>	<b>Standard option</b>						
			DD/PD filter kit		1070	0147 1323 03	• 2	Hexagon bolt	
1005	0574 9911 28	• 1	Hose assy		1075	0301 2335 00	• 2	Washer	
1010	0571 0035 55	• 1	Nipple		1080	0266 2110 00	• 2	Nut	
1015	1617 7202 00	• 1	Filter PD 32		1085	1617 7082 02	• 2	Quick coupling	
1020	1617 7201 00	• 1	Filter DD 32		1090	0581 1228 04	• 1	Elbow	
1025	9125 7166 00	• 2	Hexagon socket		1095	0581 2000 28	• 1	Tee coupling	
1030	0282 0000 07	• 2	Square nut		1100	0070 6002 05	• AR	Plastic tube	
1035	0663 2100 24	• 1	O-ring		1105	0581 2000 25	• 1	Pipe coupling	
1040	1503 2565 33	• 1	Bend		1110	0070 6002 05	• AR	Plastic tube	
1045	0571 0035 55	• 1	Nipple		1115	0581 0000 55	• 1	Pipe coupling	
1050	0574 9911 29	• 1	Hose assy		1120	0661 1000 39	• 1	Seal washer	
1055	1622 0854 00	• 2	Bracket		1125	0581 0000 34	• 1	Coupling	
1060	0162 4247 00	• 4	Bolt		1130	0070 6002 04	• AR	Plastic tube	
1065	0282 0000 07	• 4	Square nut		1135	0581 0000 33	• 1	Coupling	



## Service Kits

Ref.	Part number	Qty	Name	Remarks	Ref.	Part number	Qty	Name	Remarks
	<b>2901 0298 50</b>	<b>1</b>	<b>Unloading valve kit</b>			<b>2901 0748 00</b>	<b>1</b>	<b>Impeller kit WSD</b>	
	1513 0532 00 •	1	Piston			1613 9225 00 •	1	Clamp WSD 25/40	
	1513 0011 00 •	1	Spring			1613 9226 00 •	1	Ring WSD 25/40	
	1513 0019 00 •	1	Piston ring			0663 9289 00 •	1	O-ring	
	0663 2105 13 •	1	O-ring			0291 1108 00 •	1	Lock nut	
	1513 0015 00 •	1	Spring			2904 0155 00 •	1	Instruction WSD	
	0663 6129 00 •	1	O-ring			<b>2901 0919 00</b>	<b>1</b>	<b>Filter / seperator kit</b>	
	0663 7132 00 •	1	O-ring			1513 0337 01 •	1	Oilfilter	
	0335 2130 00 •	1	Circlip			1613 9001 00 •	1	Air filter element	
	0335 2136 00 •	1	Circlip			1622 0624 00 •	1	Nipple	
	1513 0028 01 •	1	Gasket			1622 0871 00 •	1	Oil separator	
	1513 0434 00 •	1	Valve			<b>2901 0919 10</b>	<b>1</b>	<b>Filter / seperator kit 8000 hrs</b>	
	1613 9010 00 •	1	Gasket			1202 8040 01 •	1	Oil filter	
	<b>2901 0245 01</b>	<b>1</b>	<b>Oil can</b>			1613 9001 00 •	2	Air filter element	
			ROTO-INJECTFLUID 5 l			1619 3770 00 •	1	Nipple	
	<b>2901 1700 00</b>	<b>1</b>	<b>Oil can</b>			1622 0871 00 •	2	Oil separator	
			ROTO-XTEND DUTY 5 l			<b>2901 0919 20</b>	<b>1</b>	<b>Element mount kit</b>	
	<b>2901 0522 00</b>	<b>1</b>	<b>Oil can</b>			0661 1000 39 •	1	Seal washer	
			ROTO-INJECTFLUID 20 l			0661 1000 41 •	1	Seal washer	
	<b>2901 1701 00</b>	<b>1</b>	<b>Oil can</b>			0661 1000 44 •	1	Seal washer	
			ROTO-XTEND DUTY 20 l			0663 3130 00 •	4	O-ring	
	<b>2901 0526 00</b>	<b>1</b>	<b>Filter kit DD 32</b>			1613 9010 00 •	1	Gasket	
	0663 9244 00 •	1	O-ring			<b>2901 1077 00</b>	<b>1</b>	<b>Non return valve kit</b>	
	0663 9868 00 •	1	O-ring			0661 1000 38 •	1	Seal washer	
	1617 7039 11 •	1	Filter element			0663 2108 11 •	1	O-ring	
	2904 0120 00 •	1	Cartridge replacement			1613 9005 01 •	1	Non return valve	
	2904 0122 00 •	1	Label			<b>2901 1399 00</b>	<b>1</b>	<b>Minimum pressure valve kit</b>	
	<b>2901 0527 00</b>	<b>1</b>	<b>Filter kit PD 32</b>					7.5-8.5-10bar(e)/100-125-150psig	
	0663 9244 00 •	1	O-ring			0661 1000 44 •	1	Seal washer	
	0663 9868 00 •	1	O-ring			0663 2105 40 •	1	O-ring	
	1617 7039 09 •	1	Filter element			1513 0063 00 •	1	Spring	
	2904 0120 00 •	1	Cartridge replacement			1513 0064 00 •	1	Spring	
	2904 0122 00 •	1	Label			1513 0401 01 •	1	Valve disc	
	<b>2901 0561 00</b>	<b>1</b>	<b>Shaft seal kit</b>			2904 1015 00 •	1	Min press valve	
	1616 7154 00 •	1	Seal retainer			<b>2901 1411 00</b>	<b>1</b>	<b>Minimum pressure valve kit</b>	
	1616 7247 00 •	1	Bushing					13bar(e)/175psig	
	9820 4491 00 •	1	Instruction sheet			0661 1000 44 •	1	Seal washer	
	<b>2901 0712 00</b>	<b>1</b>	<b>Drain kit WSD</b>			0663 2105 40 •	1	O-ring	
	0663 2111 28 •	1	O-ring 61x3			1513 0064 00 •	1	Spring	
	0663 2133 00 •	3	O-ring 39.2x3			1513 0401 01 •	1	Valve disc	
	0663 6137 00 •	1	O-ring 64.5x3			1622 0259 00 •	1	Spring	
	<b>1613 9227 80</b>	<b>1</b>	<b>Drain assembly</b>			2904 1015 00 •	1	Min press valve	
	0663 6124 00 ••	1	O-ring						
	0663 6128 00 ••	1	O-ring						
	0663 9004 00 ••	1	O-ring 4x1						
	1613 8750 00 ••	1	Insert for drain						
	1613 9227 00 ••	1	Drain WSD 25/40						
	1613 9228 00 ••	1	Housing						
	1613 9229 00 ••	1	Cover						
	1613 9247 00 ••	1	Nut WSD 25/40						
	1613 9311 80 ••	1	Float assy						
	1613 9338 00 ••	1	Vavle disc						
	2904 0154 00 •	1	Instruction WSD						





+7(916) 033-41-41



[apsair@apsair.ru](mailto:apsair@apsair.ru)

[apsair.ru](http://apsair.ru)