

Atlas Copco Stationary Air Compressors

GA 11+, GA 15+, GA 18+, GA 22+, GA 30
WorkPlace / WorkPlace Full-Feature

Parts list

From following serial No. onwards :
API - 295 000

No. 2930 7003 00

Registration code : APC G11-30C / 39

2006-04



<https://apsair.ru>

Atlas Copco

Contents
Inhoud
Innehåll
Inhaltsverzeichnis
Table des matières
Indice

Indice
Innehållsförteckning
Indice
Innehållsförteckning
Sisällysluettelo

Drive arrangement Aandrijfuitvoering Drivarrangemang Antriebsanordnung Dispositif d'entraînement Disposición de accionamiento Disposizione di azionamento Arrangement Disposição de accionamento Drivarrangement Rakenne	1	Air outlet Luchtuitlaat Luftutlopp Luftauslaß Sortie d'air Salida de aire Mandata dell'aria Luftafgang Saída de ar Luftutløp Paineilmaputki - WorkPlace	7
Air flow Luchtstroming Luftflöde Luftstrom Flux d'air Flujo de aire Flusso d'aria Luftflow Fluxo de ar Luftstrøm Ilman virtaus	2	- WorkPlace FF	8
Oil system Oliesysteem Oljesystem Ölsystem Système d'huile Sistema de aceite Sistema dell'olio Oliesystem Sistema de óleo Oljesystem Voitelujärjestelmä	3	Air dryer Luchtdroger Lufttorkare Lufttrockner Sécheur d'air Secador de aire Essiccatore d'aria Lufttørrer Secador de ar Lufttørker Kuivain	9
Air receiver Luchtketel Luftbehållare Luftbehälter Réservoir d'air Depósito de aire Serbatoio dell'aria Luftbeholder Reservatório de ar Luftbeholder Ilmasäiliö	4	By-pass dryer Omloopleiding Förbildningskanal Umgehungsleitung Tuyaux de by-pass Tubería de derivación By-pass By-pass Tubagem de derivação Omløpsrør Ohitus - WorkPlace FF	10
Unloading valve Ontlastventiel Avlastningsventil Entlastungsventil Soupape de décharge Válvula de descarga Valvola di messa a vuoto Aflastningsventil Válvula de descarga Avlastningsventil Kevennysventtiili	5	Bodywork Carrosserie Karosseri Karosserie Capotage Carrocería Cappottatura Karosseri Carroceria KabinettKotelo	11
Regulating system Regelsysteem Reglersystem Regelsystem Système de régulation Sistema de regulación Sistema di regolazione Reguleringssystem Sistema de regulação Reguleringssystem Säätöjärjestelmä - WorkPlace	6	Start cubicle Startkast Startskåp Anlaßschrank Armoire de démarrage Cubículo de arranque Armadio apparecch. di avviamento Starterskab Cubículo Startskap Käynnistinkotelo - Star/delta - IEC	12
		- DOL - CSA/UL	13

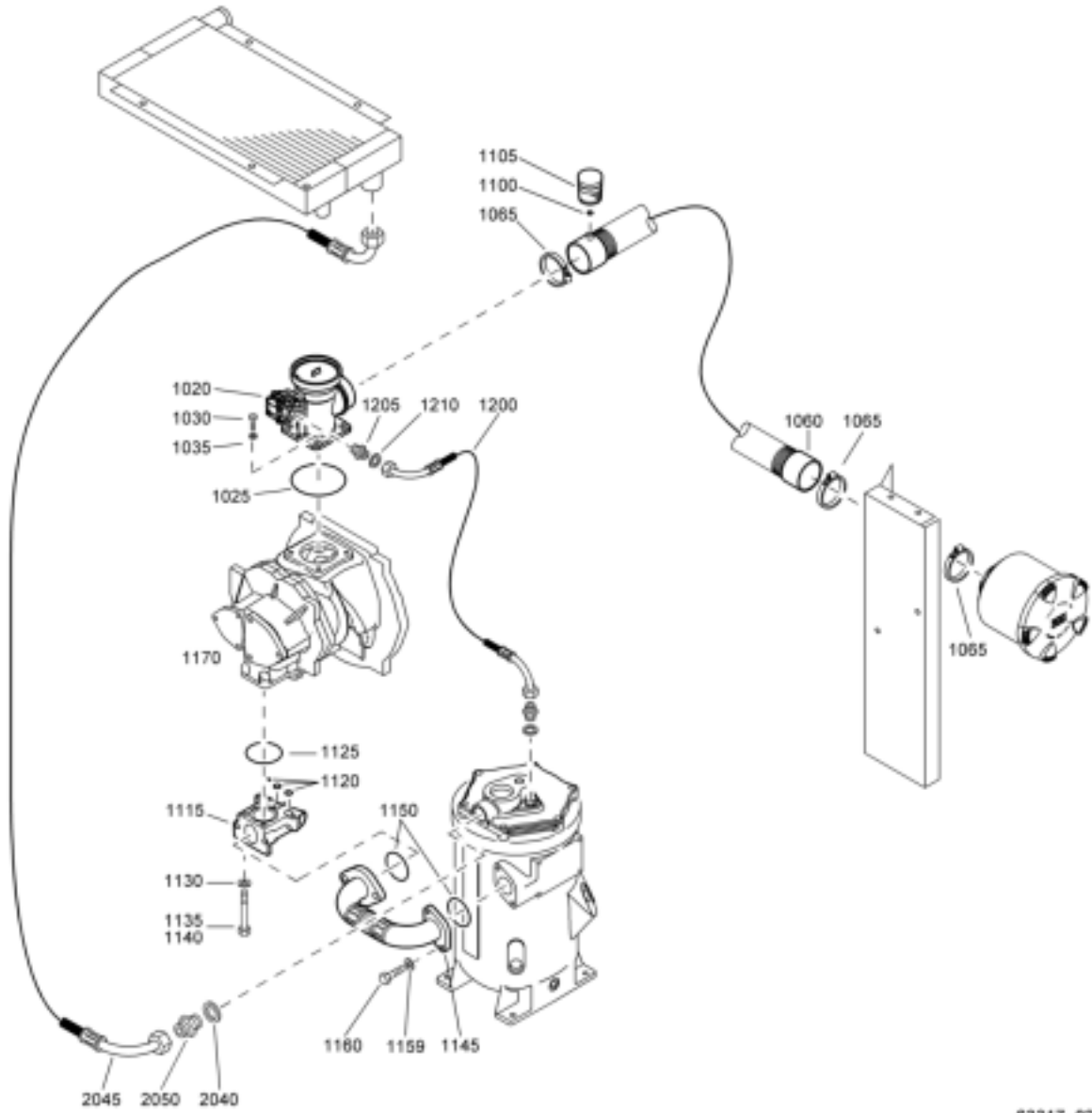


Energy recovery system	Rain protection
Energjätvinningsystem	Regenbescherming
Energierückgewinnungssystem	Regnskydd
Système de récupération d'énergie	Regenschutz
Sistema de recuperación de energía	Protection contre la pluie
Sistema di recupero energia	Protección la lluvia
Energigenvinding	Protezione contro la pioggia
Sistema de recuperação de energia	Regnbeskyttelse
Energjenvinningsystem	Proteção contra a chuva
Energian talteenottojärjestelmä	Regnbeskyttelse
	Sadesvuoja
Drain system	Lifting device
Aftapsysteem	Hijstoestel
Avtappningssystem	Lyftverktyg
Abläßsystem	Hebezeug
Système de vidange	Outil de levage
Sistema de drenaje	Aparato de elevación
Sistema di scarico	Utensile di sollevamento
Drænsystem	Lyftverktyg
Sistema de drenagem de condensados	Ferramenta de elevação
Avtappingssystem	Løfteværktøj
Lauhteenpoistojärjestelmä	Nostotyökälu
- Oil Separator condensate Drain	
	Heavy duty filters
- Electronic Water Drain	Filters, hoge prestatie
	Högeffektfilter
DD Filter kit	Hochleistungsfilter
DD Filter kit	Filtres hautement performants
DD Filter kit	Filtros para trabajo pesado
DD Filter kit	Filtro per servizio pesante
Kit, filtre DD	Heavy duty filtre
Equipo de filtros DD	Filtro para trabalho pesado
Kit, filtro DD	Heavy-duty filtre
DD Filtersaet	Suurtehosuodattimet
Kit, filtro DD	
DD Filtersett	Service kits
DD-suodatinsarja	Service kits
	Service kits
- Full-feature	Service Kits
	Service kits
Modulating control	Kit per la manutenzione
Modulatiecontrole	Service kits
Moduleringskontroll	Conjuntos de reparação
Modulationskontrolle	Servicesett
Contrôle de la modulation	Huoltotarvikesarjat
Control de modulaci6n	
Controllo continuo	
Modulationsstyring	
Controlo de modulaç6o	
Modulasjonsregulering	
Modulointis6ät6	
Main switch	
Hoofdschakelaar	
Huvudstr6mbrytare	
Hauptschalter	
Interrupteur principal	
Interruptor principal	
Interruttore della linea di alimentazione	
Hovedr6fbryder	
Interruptor principal	
Hovedstr6mbryter	
P66kytkin	

Drive arrangement

Ref.	Part number	Qty	Name	Remarks	Ref.	Part number	Qty	Name	Remarks
3010		1	Gear wheel set						
	1603 0702 50		GA11+ 7.5 bar(e)			1603 0702 55		GA22+ 175 psig	
	1603 0702 51		GA11+ 7.5 bar(e) HAV			1603 0702 68		GA22+ 175 psig HAV	
	1603 0702 51		GA11+ 8.5 bar(e)			1603 0702 64		GA30 7.5 bar(e)	
	1603 0702 52		GA11+ 8.5 bar(e) HAV			1603 0702 64		GA30 8.5 bar(e)	
	1603 0702 52		GA11+ 10 bar(e)			1603 0702 66		GA30 10 bar(e)	
	1603 0702 71		GA11+ 10 bar(e) HAV			1603 0702 60		GA30 13 bar(e)	
	1603 0702 70		GA11+ 13 bar(e)			1603 0702 61		GA30 100 psig	
	1603 0702 70		GA11+ 13 bar(e) HAV			1603 0702 62		GA30 125 psig	
	1603 0702 52		GA11+ 100 psig			1603 0702 74		GA30 150 psig	
	1603 0702 71		GA11+ 100 psig HAV		4070	1603 0702 76		GA30 175 psig	
	1603 0702 71		GA11+ 125 psig				1	Motor	
	1603 0702 53		GA11+ 125 psig HAV			1080 4070 01		GA 11+ 200-220V 50/60Hz	
	1603 0702 70		GA11+ 150 psig			1080 4070 12		GA 11+ 200-230V/ 440-460V 60Hz	
	1603 0702 69		GA11+ 150 psig HAV					GA 11+ 230V 50Hz	
	1603 0702 69		GA11+ 175 psig			1080 4070 02		GA 11+ 380V 50Hz	
	1603 0702 69		GA11+ 175 psig HAV			1080 4070 13		GA 11+ 380V 60Hz	
	1603 0702 55		GA15+ 7.5 bar(e) HAV			1080 4070 04		GA 11+ 400V 50Hz	
	1603 0702 55		GA15+ 8.5 bar(e)			1080 4070 21		GA 11+ 400V 50Hz + thermistors	
	1603 0702 68		GA15+ 8.5 bar(e) HAV					GA 15+ 200-220V 50/60Hz	
	1603 0702 68		GA15+ 10 bar(e)			1080 4071 01		GA 15+ 200-230V/ 440-460V 60Hz	
	1603 0702 72		GA15+ 10 bar(e) HAV			1080 4071 12		GA 15+ 230V 50Hz	
	1603 0702 50		GA15+ 13 bar(e)					GA 15+ 380V 60Hz	
	1603 0702 51		GA15+ 13 bar(e) HAV			1080 4071 02		GA 15+ 380V 60Hz + thermistors	
	1603 0702 72		GA15+ 100 psig			1080 4071 13		GA 15+ 400V 50Hz	
	1603 0702 75		GA15+ 100 psig HAV			1080 4071 43		GA 15+ 380V 60Hz + thermistors	
	1603 0702 75		GA15+ 125 psig					GA 15+ 400V 50Hz	
	1603 0702 50		GA15+ 125 psig HAV			1080 4071 04		GA 15+ 400V 50Hz + thermistors	
	1603 0702 51		GA15+ 150 psig			1080 4071 21		GA 15+ 400V 50Hz + thermistors	
	1603 0702 52		GA15+ 150 psig HAV					GA 15+ 460V 60Hz + thermistors	
	1603 0702 52		GA15+ 175 psig			1080 4071 22		GA 15+ 575V 60Hz	
	1603 0702 71		GA15+ 175 psig HAV					GA 18+ 200-230V/ 440-460V 60Hz	
	1603 0702 73		GA15+ 7.5 bar(e)			1080 4071 14		GA 18+ 230V 50Hz	
	1603 0702 76		GA18+ 7.5 bar(e)			1080 4072 12		GA 18+ 380V 60Hz	
	1603 0702 77		GA18+ 7.5 bar(e) HAV					GA 18+ 400V 50Hz	
	1603 0702 67		GA18+ 8.5 bar(e)			1080 4072 02		GA 18+ 400V 50Hz + thermistors	
	1603 0702 63		GA18+ 8.5 bar(e) HAV			1080 4072 13		GA 18+ 460V 60Hz + thermistors	
	1603 0702 54		GA18+ 10 bar(e)			1080 4072 14		GA 22+ 200-220V 50/60Hz	
	1603 0702 73		GA18+ 10 bar(e) HAV			1080 4073 01		GA 22+ 200-230V/ 440-460V 60Hz	
	1603 0702 55		GA18+ 13 bar(e)			1080 4073 12		GA 22+ 230V 50Hz	
	1603 0702 68		GA18+ 13 bar(e) HAV					GA 22+ 380V 60Hz	
	1603 0702 73		GA18+ 100 psig			1080 4073 02		GA 22+ 400V 50Hz	
	1603 0702 55		GA18+ 100 psig HAV			1080 4073 13		GA 22+ 400V 50Hz + thermistors	
	1603 0702 55		GA18+ 125 psig			1080 4073 04		GA 22+ 460V 60Hz + thermistors	
	1603 0702 68		GA18+ 125 psig HAV			1080 4073 21		GA 22+ 575V 60Hz	
	1603 0702 68		GA18+ 150 psig					GA 30 200-230V/ 440-460V 60Hz	
	1603 0702 72		GA18+ 150 psig HAV			1080 4074 02		GA 30 230V 50Hz	
	1603 0702 75		GA18+ 175 psig			1080 4074 13		GA 30 380V 60Hz	
	1603 0702 50		GA18+ 175 psig HAV			1080 4074 04		GA 30 400V 50Hz	
	1603 0702 60		GA22+ 7.5 bar(e)			1080 4074 21		GA 30 400V 50Hz + thermistors	
	1603 0702 74		GA22+ 7.5 bar(e) HAV					GA 30 460V 60Hz + thermistors	
	1603 0702 62		GA22+ 8.5 bar(e)			1080 4073 22		GA 30 575V 60Hz	
	1603 0702 74		GA22+ 8.5 bar(e) HAV						
	1603 0702 76		GA22+ 10 bar(e)			1080 4074 12			
	1603 0702 63		GA22+ 10 bar(e) HAV						
	1603 0702 63		GA22+ 13 bar(e)						
	1603 0702 54		GA22+ 13 bar(e) HAV						
	1603 0702 67		GA22+ 100 psig						
	1603 0702 63		GA22+ 100 psig HAV						
	1603 0702 63		GA22+ 125 psig						
	1603 0702 54		GA22+ 125 psig HAV						
	1603 0702 73		GA22+ 150 psig						
	1603 0702 55		GA22+ 150 psig HAV						

2



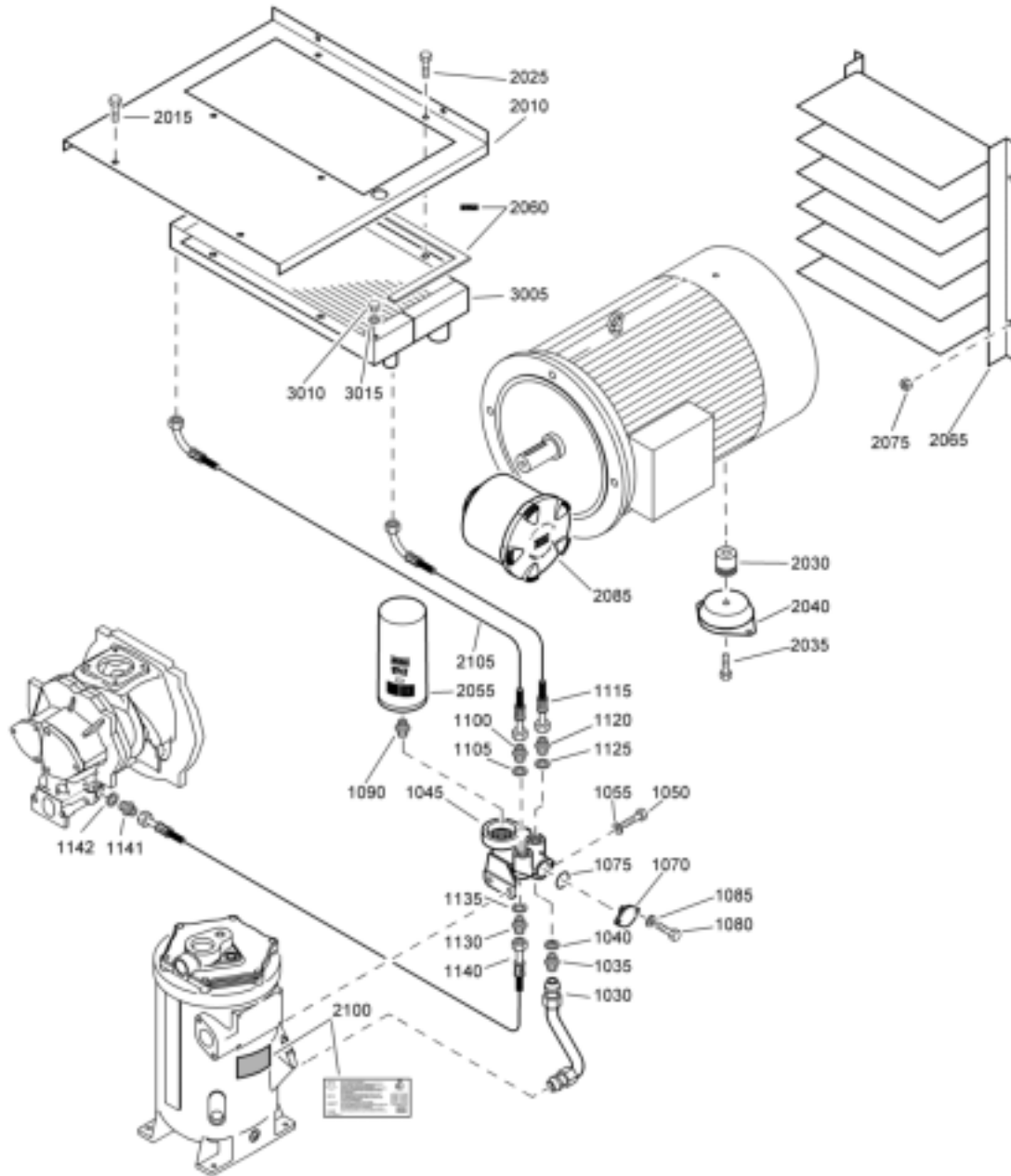
63317_02

Air flow

2

Ref.	Partnumber	Qty	Name	Remarks	Ref.	Partnumber	Qty	Name	Remarks
1020	<<< >>>	1	Unloading valve		1135	0147 1329 03	2	Hexagon bolt	
1025	0663 7142 00	1	O-ring		1140	0147 1335 03	2	Hexagon bolt	
1030	0147 1325 03	4	Hexagon bolt		1145	1622 0015 00	1	Hose assembly	
1035	0301 2335 00	4	Washer		1150	0663 7134 00	2	O-ring	
1060	1622 1788 10	1	Hose assembly		1159	0301 2335 00	4	Washer	
1065	0347 6114 00	3	Hose clip		1160	0147 1325 03	4	Hexagon bolt	
1105	1613 7912 01	1	Indicator		1200	0574 9914 15	1	Hose assembly	
1110	0657 5742 00	1	Flat gasket		1205	1079 5840 14	1	Nipple	
1115	1622 0014 01	1	Housing		1210	0661 1000 40	1	Seal washer	
1120	0663 2111 35	3	O-ring		2240	0661 1000 44	1	Seal washer	
1125	0663 7134 00	1	O-ring		2245	1622 0590 00	1	Hose ass'y	
1130	0301 2335 00	4	Washer		2250	2250 4983 00	1	Nipple	

3



63318_05



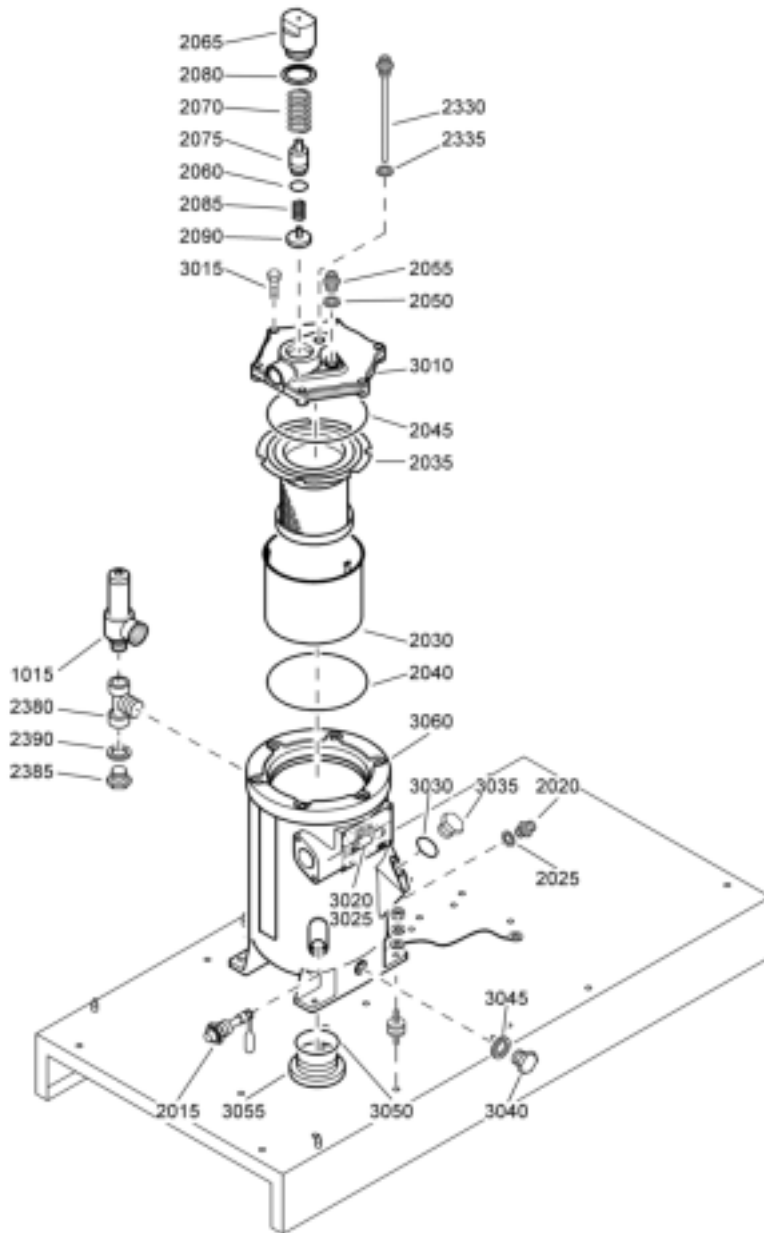
Oil system

3

Ref.	Partnumber	Qty	Name	Remarks	Ref.	Partnumber	Qty	Name	Remarks
1030	1622 0071 00	1	Pipe		2040		1	Antivibr.pad	
1035	1079 5840 27	1	Hex.nipple			1613 6752 16		GA 11+	
1040	0661 1000 43	1	Seal washer			1613 6752 16		GA 15+	
1045	1613 6883 03	1	Valve housing			1613 6752 16		GA 18+	
1050	0147 1362 03	2	Hexagon bolt			1613 6752 16		GA 22+	
1055	0301 2344 00	2	Washer			1613 6752 17		GA 30	
1070	1614 6118 00	1	Flange		2055	1613 6105 00	1	Oil filter	
1075	0663 2101 95	1	O-ring		2060	1619 5188 00	AR	Seal	
1080	0147 1246 03	2	Hexagon bolt		2065		1	Baffle ass'y	1)
1085	0301 2321 00	2	Washer			1622 0160 80		GA 11+	
1090	1619 3770 00	1	Nipple			1622 0160 80		GA 15+	
1100	1079 5840 27	1	Hex.nipple			1622 0160 80		GA 18+	
1105	0661 1000 43	1	Seal washer			1622 0160 80		GA 22+	
1115	0574 9911 14	1	Hose assembly			1622 0160 80		GA 30 bar(e)	
1120	1079 5840 27	1	Hex.nipple			1622 0364 80		GA 30 psig	
1125	0661 1000 43	1	Seal washer		2075	0266 7024 02	4	Nut	
1130	1079 5840 27	1	Hex.nipple		2085	1622 0004 00	1	Filter housing	
1135	0661 1000 43	1	Seal washer		2100	1079 9909 57	1	Label	
1140	0574 9911 13	1	Hose assembly		2105		1	Hose assembly	
1141	1079 5840 21	1	Hexagon nipple			0574 9910 10		GA 11+	
1142	0661 1000 39	1	Seal washer			0574 9910 10		GA 15+	
2010		1	Plate			0574 9911 17		GA 18+	
	1622 0110 00		GA 11+			0574 9911 17		GA 22+	
	1622 0111 00		GA 15+			0574 9911 17		GA 30	
	1622 0112 00		GA 18+				1	Combi-cooler	
2015	0147 1963 08	4	Hexagon bolt			1622 3454 00		GA 11+	
2025	0147 1963 08	4	Hexagon bolt			1622 0942 00		GA 15+	
2030		1	Spacer			1622 0943 00		GA 18+	
	1622 0012 00		GA 11+			1622 0944 00		GA 22+	
	1622 0012 00		GA 15+			1622 0945 00		GA 30	
	1622 0012 00		GA 18+		3005		• 1	Combi-cooler	
	1622 0012 00		GA 22+		3010	0686 3716 01	• 1	Hexagon plug	
	1622 0013 00		GA 30		3015	0653 1062 00	• 1	Flat gasket	
2035		1	Hexagon bolt		1)			Lined with / Bekleed met / Beklädd med / Ausgekleidet mit / Garnir de / Rivestido de / Allineato con / Foret med / Revestido com / Kledd med / Vuorattu :	
	0147 1376 03		GA 11+					Foam: 0395 6001 69 (AR) 50 x 2040 x 1650	
	0147 1376 03		GA 15+						
	0147 1376 03		GA 18+						
	0147 1376 03		GA 22+						
	0147 1370 03		GA 30						



4



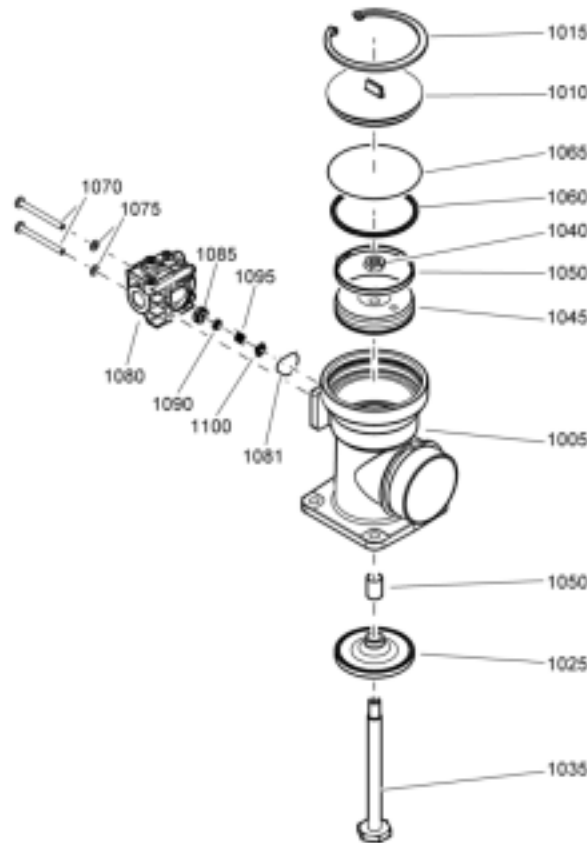
61600_03

Air receiver

Ref.	Partnumber	Qty	Name	Remarks	Ref.	Partnumber	Qty	Name	Remarks
1015		1	Safety valve		2085	1622 0525 00	• 1	Spring	
	0832 1000 77		7.5 bar(e)		2090	1622 0523 00	• 1	Valve disk	
	0832 1000 78		8.5 bar(e)		2330	1622 0017 10	• 1	Scavenge line	
	0832 1000 78		10 bar(e)		2335	0653 1100 00	• 1	Flat gasket	
	0832 1000 79		13 bar(e)		2380	0564 0000 60	• 1	Tee	
	0830 1008 35		100 psig		2385	0686 3716 02	• 1	Hexagon plug	
	0830 1008 35		125 psig		2390	0661 1000 39	• 1	Seal washer	
	0830 1008 38		150 psig				• 1	Oil separator	
	0830 1008 38		175 psig			1622 0549 99		ASME	
		1	Vessel ass'y			1622 0549 82		DIR	
	1622 0589 99		ASME			1622 0549 82		LLOYD'S	
	1622 0589 82		DIR			1622 0549 85		MOL	
	1622 0589 82		LLOYD'S			1622 0549 98		UDP	
	1622 0589 85		MOL		3010	1622 0520 00	•• 1	Valve housing	
	1622 0589 99		PED		3015	0147 1958 86	•• 6	Hexagon bolt	
	1622 0589 98		UDT		3020		•• 1	Dataplate	
2015	1613 9020 00	• 1	Level gauge			1622 0003 01		ASME	
2020	1079 5840 27	• 1	Hex.nipple			1622 0003 00		DIR	
2025	0661 1000 43	• 1	Seal washer			1622 0003 00		LLOYD'S	
2030	1622 0016 00	• 1	Shield			1622 0003 00		MOL	
2035	1622 0516 00	• 1	Oil sep element			1622 0003 01		UDP	
2040	0663 2111 24	• 1	O-ring		3025	0244 4184 00	•• 4	Drive screw	
2045	0663 2111 23	• 1	O-ring		3030	1202 8992 00	•• 1	Plug	
2050	0661 1000 40	• 1	Seal washer		3035	0663 2102 15	•• 1	O-ring	
2055	1079 5840 14	• 1	Nipple		3040	0686 3716 30	•• 1	Hexagon plug	
2060	0663 2111 78	• 1	O-ring		3045	0661 1000 40	•• 1	Seal washer	
2065	1622 0521 00	• 1	Housing		3050	0663 2111 18	•• 1	O-ring	
2070	1622 0524 00	• 1	Spring		3055	1622 0001 00	•• 1	Plug	
2075	1622 0522 00	• 1	Piston		3060	1622 0000 00	•• 1	Vessel	
2080	0661 1000 46	• 1	Seal washer						

5

Unloading Valve

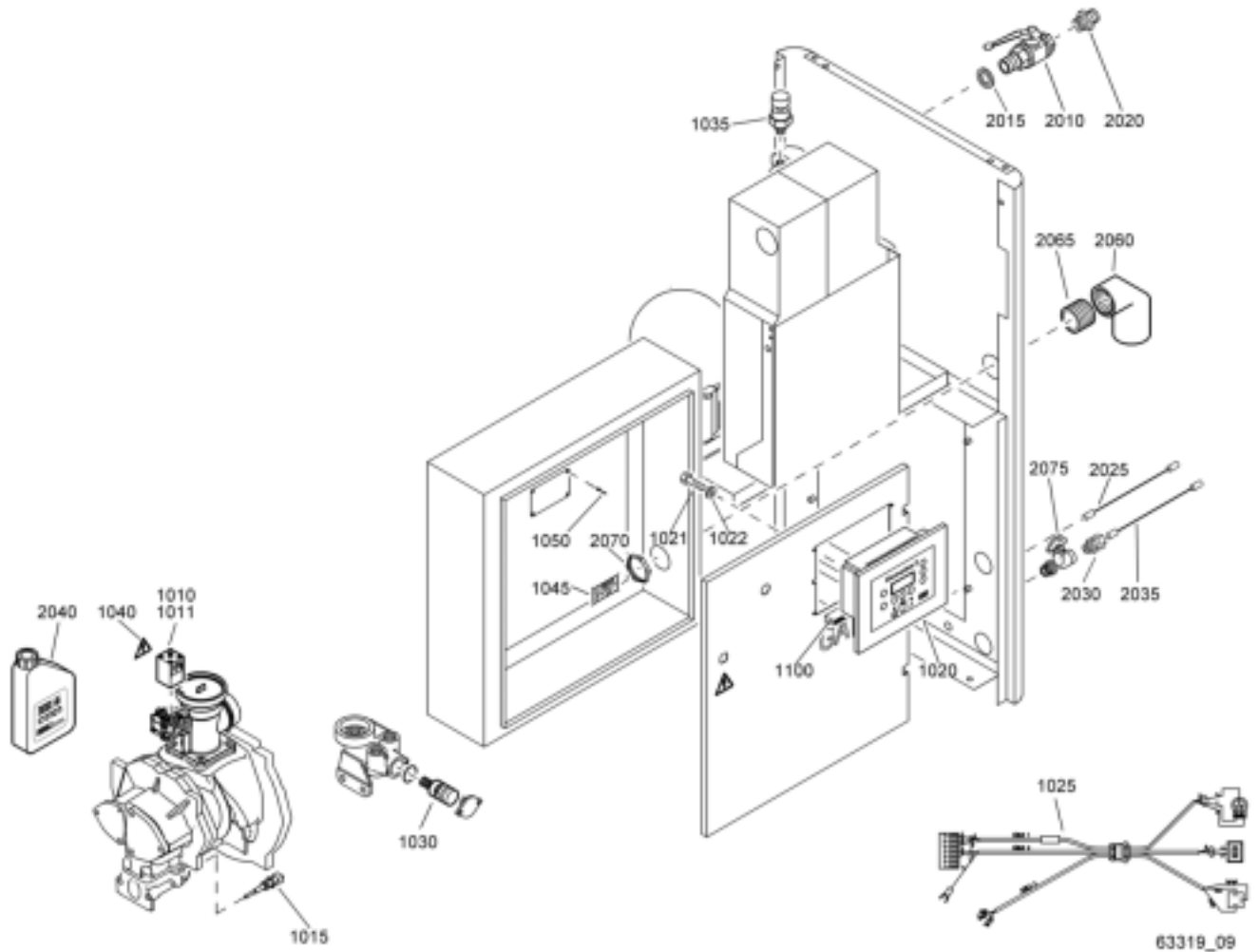


62952_20

Ref.	Partnumber	Qty	Name	Remarks	Ref.	Partnumber	Qty	Name	Remarks
	1622 1713 80	1	Unloading valve		1080	1622 3694 80	• 1	Blow off valve	1)
1005		• 1	Housing		1081	0663 7128 00	• 1	O-ring	
1010	1622 1717 00	• 1	Cover		1085	1622 2906 00	• 1	Bushing	
1015	0335 2164 00	• 1	Circlip		1090	1622 2905 00	• 1	Seal	
1025	1622 1755 80	• 1	Valve ass'y		1095	1622 2904 00	• 1	Spring	
1035	1622 1773 00	• 1	Rod		1100	1622 2903 00	• 1	Spring guide	
1040	0261 1090 86	• 1	Nut						
1045	1622 1789 00	• 1	Piston		1)			See "Service kits" / Zie "Service kits" / Se "Service kits"	
1050	1622 1790 00	• 1	Guidance tape					Siehe "Service kits" / Voir "Service kits" / Véase	
1055	1622 1797 00	• 1	Bushing					"Service kits" / Vedere "Kit per la manutenzione" / Se	
1060	1622 1798 00	• 1	Quad-ring					"Service kits" / Ver "Conjuntos de reparação" / Se	
1065	0663 2104 98	• 1	O-ring					"Servicesett" / Katso "Huoltotarvik	
1070	0160 0996 86	• 2	Screw					2902 0161 00	1 Unloader valve kit
1075	0301 2318 00	• 2	Washer						



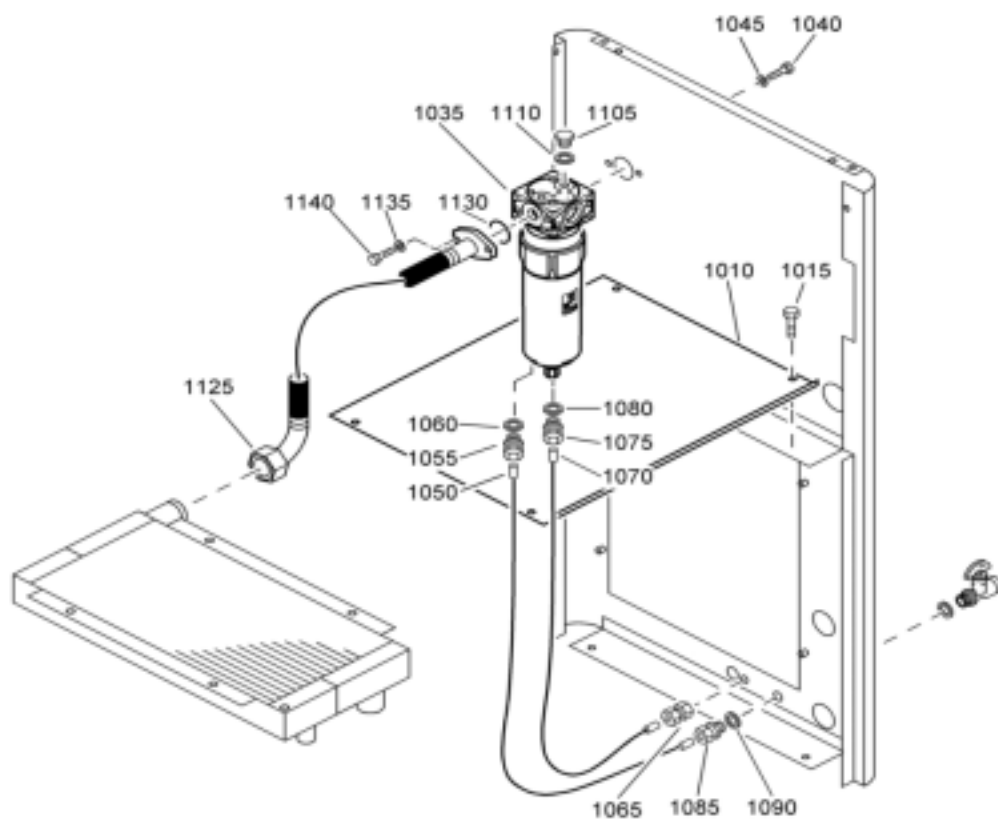
Regulating system - WorkPlace



Ref.	Partnumber	Qty	Name	Remarks	Ref.	Partnumber	Qty	Name	Remarks
1010	1089 0702 05	1	Solenoid valve		1050	0129 3104 00	4	Blind rivet	
	1089 0702 06		110V/50Hz			1088 0031 30	1	Connector	
	0663 2104 83	2	O-ring		2010	0852 0010 15	1	Ball valve	
1011	1089 0702 82	1	Adaptor		2015	0661 1000 44	1	Seal washer	
1015	1089 0574 55	1	Temp.sensor		2020	0603 4100 25	1	Adaptor	
1020	1900 0710 01	1	Regulator			0070 6002 04	AR	NPT	
1021	0147 1169 03	4	Hexagon bolt		2025	0070 6002 04	AR	Plastic tube	
1022	0301 2315 00	4	Washer		2030	0581 0000 33	1	Coupling	
1025	1622 0005 42	1	Wire harness		2035	0070 6002 05	AR	Plastic tube	
1030	1622 7064 01	1	Thermostat		2040	1613 6532 01	1	Oil can	
	1622 7064 04		40°C		2060	1622 2818 00	1	Adapter	
	1622 7064 03		60°C			1622 2819 00		IEC	
1035	1089 0575 54	1	Press.transducer		2070	0697 9809 05	1	CSA/UL	
1040	1088 1001 01	1	Warning mark		2075	1613 8892 00	1	Nut	
								Cock	

7

Air outlet - WorkPlace

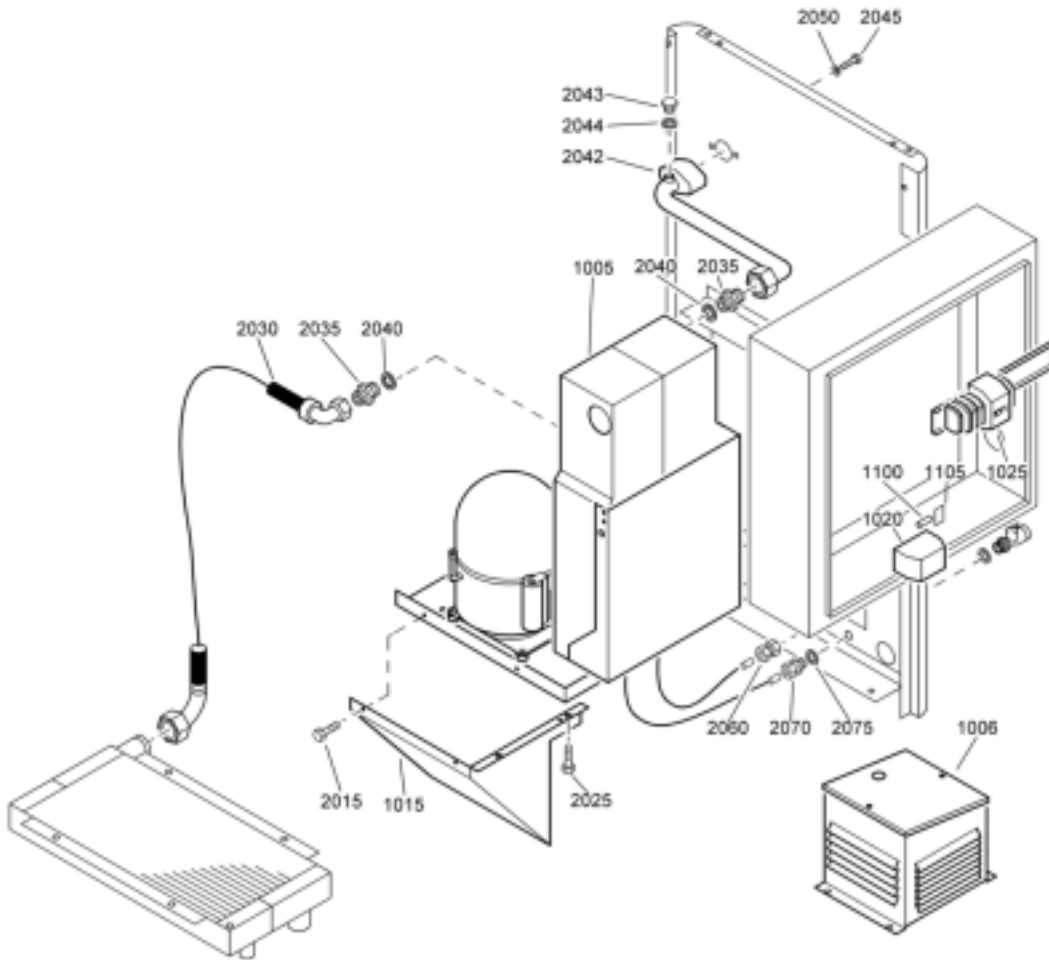


61586_06

Ref.	Partnumber	Qty	Name	Remarks	Ref.	Partnumber	Qty	Name	Remarks
1010	1622 0120 80	1	Baffle assembly	1)	1085	0581 0000 33	1	Coupling	
1015	0147 1963 08	4	Hexagon bolt		1090	0653 1046 00	1	Flat gasket	
1035	1613 8224 80	1	WSD 25		1105	0686 3716 01	1	Hexagon plug	
	2901 0712 00	• 1	Drain valve kit		1110	0661 1000 38	1	Seal washer	
	2901 0748 00	• 1	Separation kit		1125	1622 0074 00	1	Hose assembly	
1040	0147 1961 84	2	Hexagon bolt		1130	0663 3133 00	2	O-ring	
1045	0301 2335 00	2	Washer		1135	0301 2335 00	2	Washer	
1050	0070 6002 05	AR	Plastic tube		1140	0147 1326 03	2	Hexagon bolt	
1055	0581 0000 35	1	Coupling						
1060	0661 1000 38	2	Seal washer		1)			Lined with / Bekleed met / Beklädd med / Ausgekleidet mit / Garnir de / Rivestido de / Allineato con / Foret med / Revestido com / Kledd med / Vuorattu :	
1065	0581 0000 55	1	Pipe coupling					Foam: 0395 6001 66 (AR) 25 x 2040 x 1650	
1070	0070 6002 04	AR	Plastic tube						
1075	0581 0000 34	1	Coupling						
1080	0661 1000 38	2	Seal washer						



Air outlet - WorkPlace FF

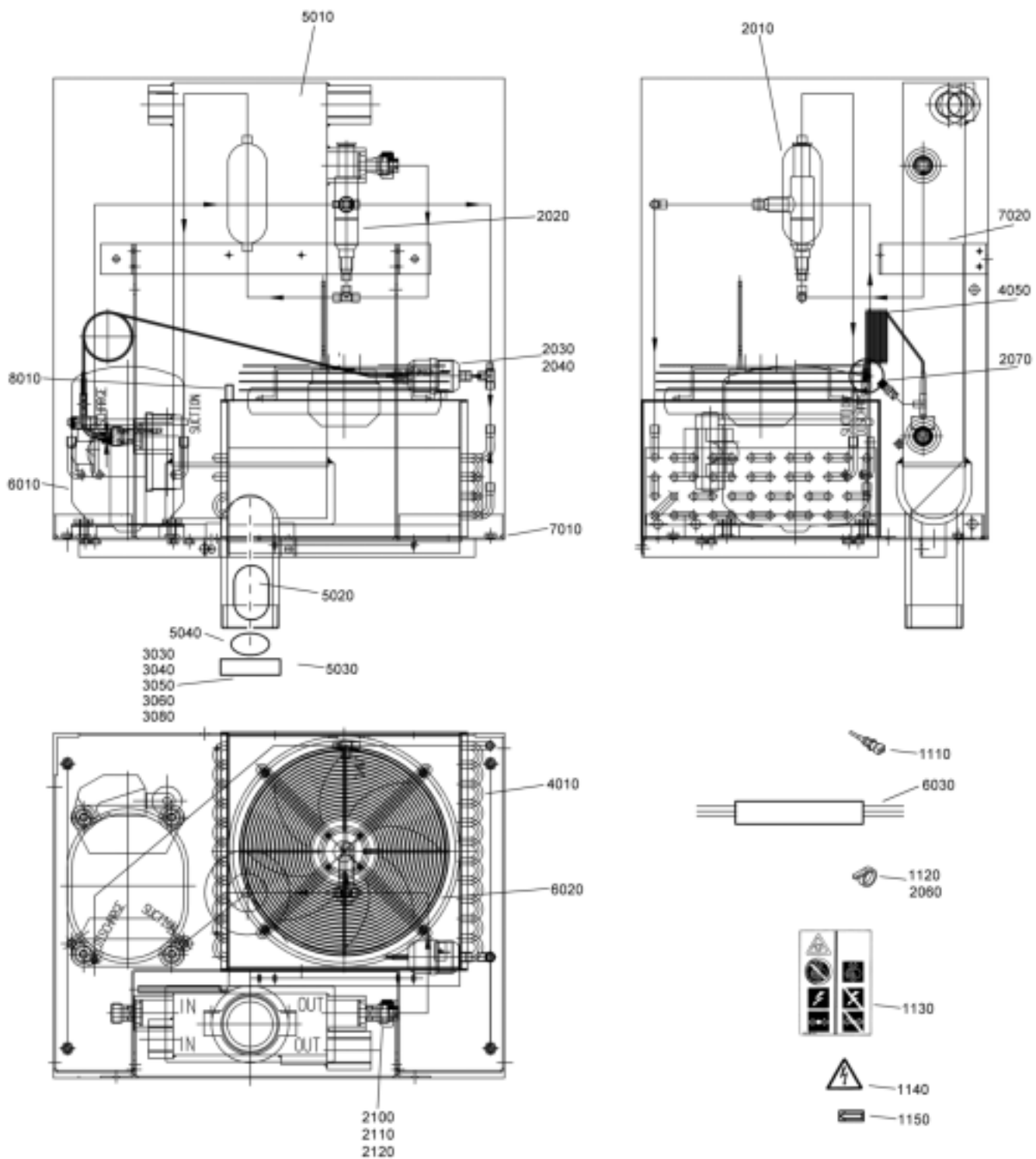


81587_06

Ref.	Part number	Qty	Name	Remarks	Ref.	Part number	Qty	Name	Remarks
1005	<<<< >>>>	1	Air dryer		1025	<<<< >>>>	1	Dryer rail	
1006		1	Trafokit		2015	1619 2765 01	3	Screw	
	1603 0721 01		ID44 380-440-460-575V/60Hz		2025	1619 2766 00	4	Bolt	
	1603 0721 03		ID44-66-77 380-690V/50Hz		2030	1622 0073 00	1	Hose assembly	
	1603 0721 05		ID44-66-77 400V		2035	2250 4983 00	2	Nipple	
	1603 0721 04		ID44-66-77 400-415V/60Hz		2040	0661 1000 44	2	Seal washer	
	1603 0721 00		ID44-66-77 500V		2042	1622 0076 10	1	Pipe	
	1603 0721 02		ID66-77 380-440-460-575V/60Hz		2043	0686 3716 01	1	Hexagon plug	
1015		1	Baffle		2044	0661 1000 38	1	Seal washer	
	1622 0134 00		GA 11+		2045	0147 1961 84	2	Hexagon bolt	
	1622 0134 00		GA 15+		2050	0300 0274 34	2	Washer	
	1622 0134 00		GA 18+		2060	0581 0000 55	1	Pipe coupling	
	1622 0134 00		GA 22+		2070	0581 0000 33	1	Coupling	
	1622 0135 00		GA 30		2075	0653 1046 00	1	Flat gasket	



9



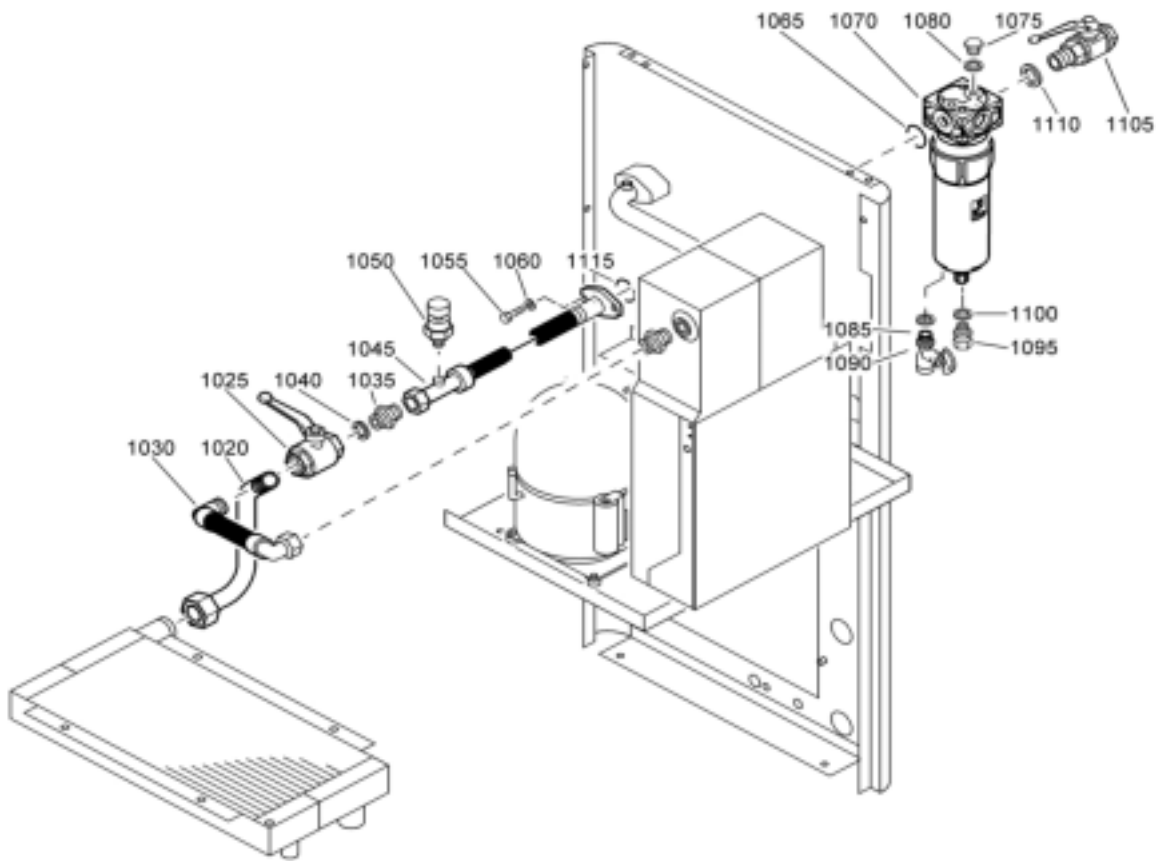
61115_17



Air dryer

Ref.	Partnumber	Qty	Name	Remarks	Ref.	Partnumber	Qty	Name	Remarks
		1	Air dryer		5010		1	Heat exchanger	
	8092 3062 82		GA11+ 200-220V/50Hz JPN			1617 2491 00		GA 11+	
	8092 3060 81		GA11+ 200-220V/60Hz CSA/UL			1617 2491 00		GA 15+	
	8092 3060 80		GA11+ 230V/50Hz			1617 2492 00		GA 18+	
	8092 3062 82		GA15+ 200-220V/50Hz JPN			1617 2492 00		GA 22+	
	8092 3060 81		GA15+ 200-220V/60Hz CSA/UL		5020 1613 9227 80	2901 0712 00	1	Drain assy	
	8092 3060 80		GA15+ 230V/50Hz			5030 1617 2372 00	1	Drain valve kit	
	8092 3061 82		GA18+ 200-220V/50Hz JPN			5040 0663 7137 00	1	Connection drain	
	8092 3061 81		GA18+ 200-220V/60Hz CSA/UL			6010	1	O-ring	
	8092 3061 80		GA18+ 230V/50Hz			1617 1483 06	1	Refrig.compressor	
	8092 3061 82		GA22+ 200-220V/50Hz JPN			1617 1483 07		GA 11+ 200-220V/50Hz JPN	
	8092 3061 81		GA22+ 200-220V/60Hz CSA/UL			1617 1483 05		GA 11+ 200-220V/60Hz	
	8092 3061 80		GA22+ 230V/50Hz			1617 1494 20		CSA/UL	
	8092 3062 82		GA30 200-220V/50Hz JPN			1617 1483 06		GA 11+ 230V/50Hz	
	8092 3062 81		GA30 200-220V/60Hz CSA/UL			1617 1483 07		GA 11+ 440V/60Hz CSA/UL	
	8092 3062 80		GA30 230V/50Hz			1617 1483 05		GA 15+ 200-220V/50Hz JPN	
1 110	1617 3077 81	1	Temp. sensor			1617 1494 20		GA 15+ 200-220V/60Hz	
1 120	1088 1301 01	8	Cable tie			1617 1494 14		CSA/UL	
1 130	1079 9901 09	1	Decal			1617 1494 03		GA 11+ 230V/50Hz	
1 140	1088 1001 01	1	Warning mark			1617 1494 01		GA 11+ 440V/60Hz CSA/UL	
1 150	1617 2385 00	1	Rotation arrow			1617 1494 19		GA 15+ 200-220V/50Hz JPN	
2010	1617 1505 02	1	Accumulator			1617 1494 14		GA 15+ 200-220V/60Hz	
2020	1617 1524 01	1	Hot gas bypass valve			1617 1494 03		CSA/UL	
2030	1617 1322 02	1	Filter-dryer			1617 1494 01		GA 15+ 230V/50Hz	
2040	0348 0110 03	1	Anchor			1617 1494 19		GA 15+ 440V/60Hz CSA/UL	
2060	0348 0101 13	1	Cable tie			1617 1494 19		GA 18+ 200-220V/50Hz JPN	
2070	1619 5563 02	1	Schrädervalue			1617 1494 16		GA 18+ 200-220V/60Hz	
2 100	1617 0056 00	1	Sleeve			1617 1494 18		CSA/UL	
2 110	1617 0057 00	2	Ring			1617 1494 17		GA 22+ 200-220V/60Hz	
2 120	1617 0058 00	1	Nut			6020	1	CSA/UL	
3030	0581 0000 35	1	Straight coupling			1617 2770 81		GA 22+ 230V/50Hz	
3040	0661 1000 25	2	Seal washer			1617 2770 82		GA 22+ 440V/60Hz CSA/UL	
3050	0070 6002 05	AR	Plastic tube			1617 2770 84		GA 30 230V/50Hz	
3060	0070 6002 04	AR	Plastic tube			6030	1	GA 30 200-220V/60Hz CSA/UL	
3080	0581 0000 34	1	Straight coupling			1617 3092 00		GA 30 200-220V/50Hz JPN	
4010		1	Condensor			1617 3093 00		GA 22+ 200-220V/60Hz	
	1617 2283 00		GA 11+			1617 3092 00		CSA/UL	
	1617 2283 00		GA 15+			1617 3093 00		GA 11+ CSA/UL	
	1617 2288 00		GA 18+			1617 3094 00		GA 15+ CSA/UL	
	1617 2288 00		GA 22+			1617 3095 00		GA 18+	
	1617 2295 00		GA 30			1617 3094 00		GA 18+ CSA/UL	
4050		1	Cappillary tube assy			1617 3095 00		GA 22+	
	1617 1415 93		GA 11+			1617 3095 00		GA 22+ CSA/UL	
	1617 1415 93		GA 15+			1617 3096 00		GA 30	
	1617 1415 94		GA 18+			1617 3097 00		GA 30 CSA/UL	
	1617 1415 94		GA 22+			7010 1617 2308 00	1	Frame	
	1617 1415 95		GA 30			7020 1617 2309 00	1	Bracket	
						8010 1089 9214 26	1	Fan switch	

10

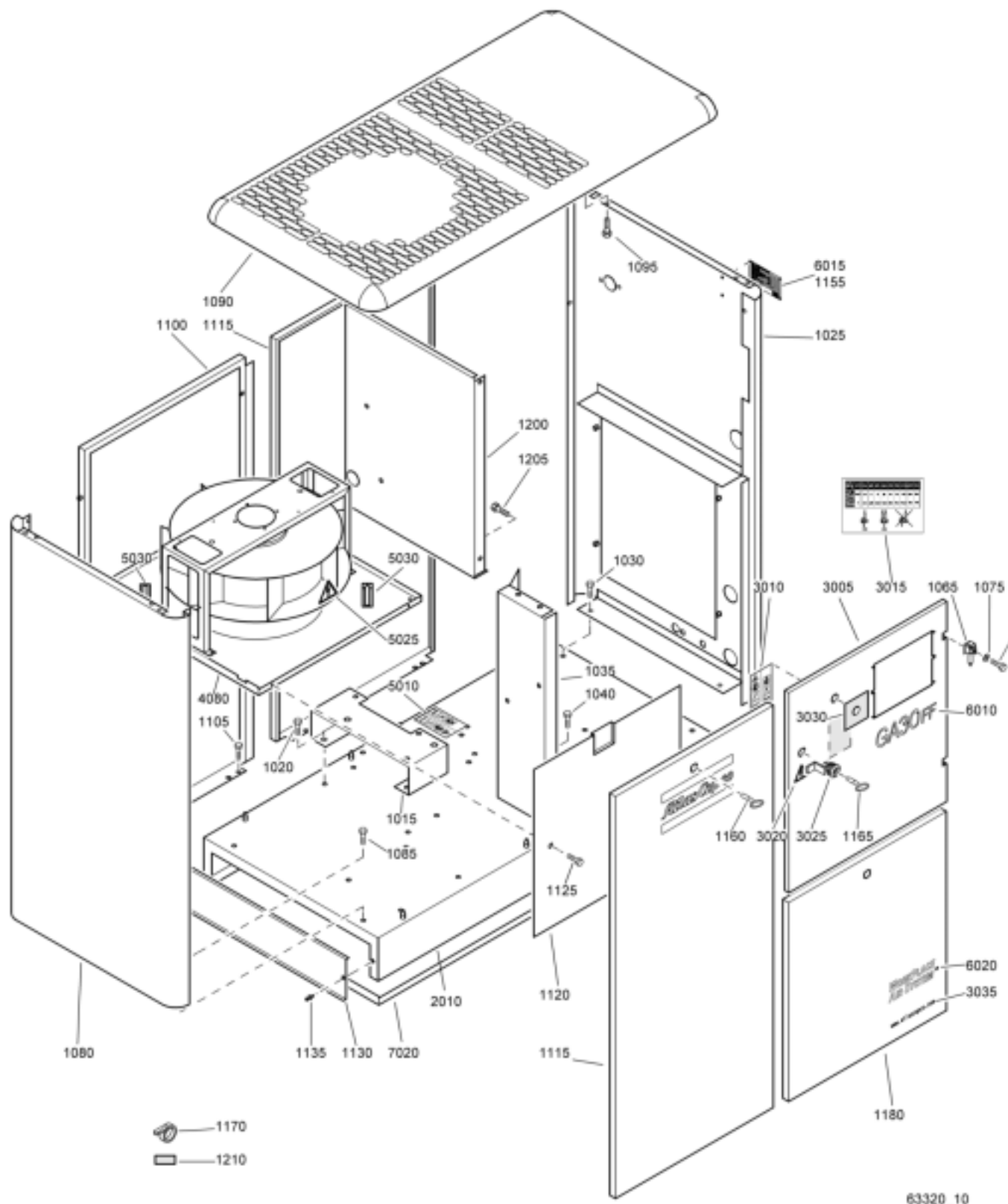


61592_03

By-pass dryer - WorkPlace

Ref.	Partnumber	Qty	Name	Remarks	Ref.	Partnumber	Qty	Name	Remarks
	8092 2455 24	1	Dryer bypass		1070	1613 8224 80	• 1	WSD 25	
1020	1622 0143 00	• 1	Pipe		1075	0686 3716 01	• 2	Hexagon plug	
1025	1613 7764 01	• 1	Ball valve		1080	0661 1000 38	• 2	Seal washer	
1030	1622 0142 00	• 1	Hose assembly		1085	0605 8300 35	• 1	Bushing	
1035	2250 4983 00	• 1	Nipple		1090	1619 7336 00	• 1	Cock	
1040	0661 1000 44	• 1	Seal washer		1095	0581 0000 35	• 1	Coupling	
1045	1622 0141 00	• 1	Hose assembly		1100	0661 1000 38	• 1	Seal washer	
1050	1089 0575 51	• 1	Press.transducer		1105	0852 0010 15	• 1	Ball valve	
1055	0147 1325 03	• 2	Hexagon bolt		1110	0661 1000 44	• 1	Seal washer	
1060	0301 2335 00	• 2	Washer		1115	0663 3129 00	• 1	O-ring	
1065	0663 3133 00	• 1	O-ring						

11



Bodywork

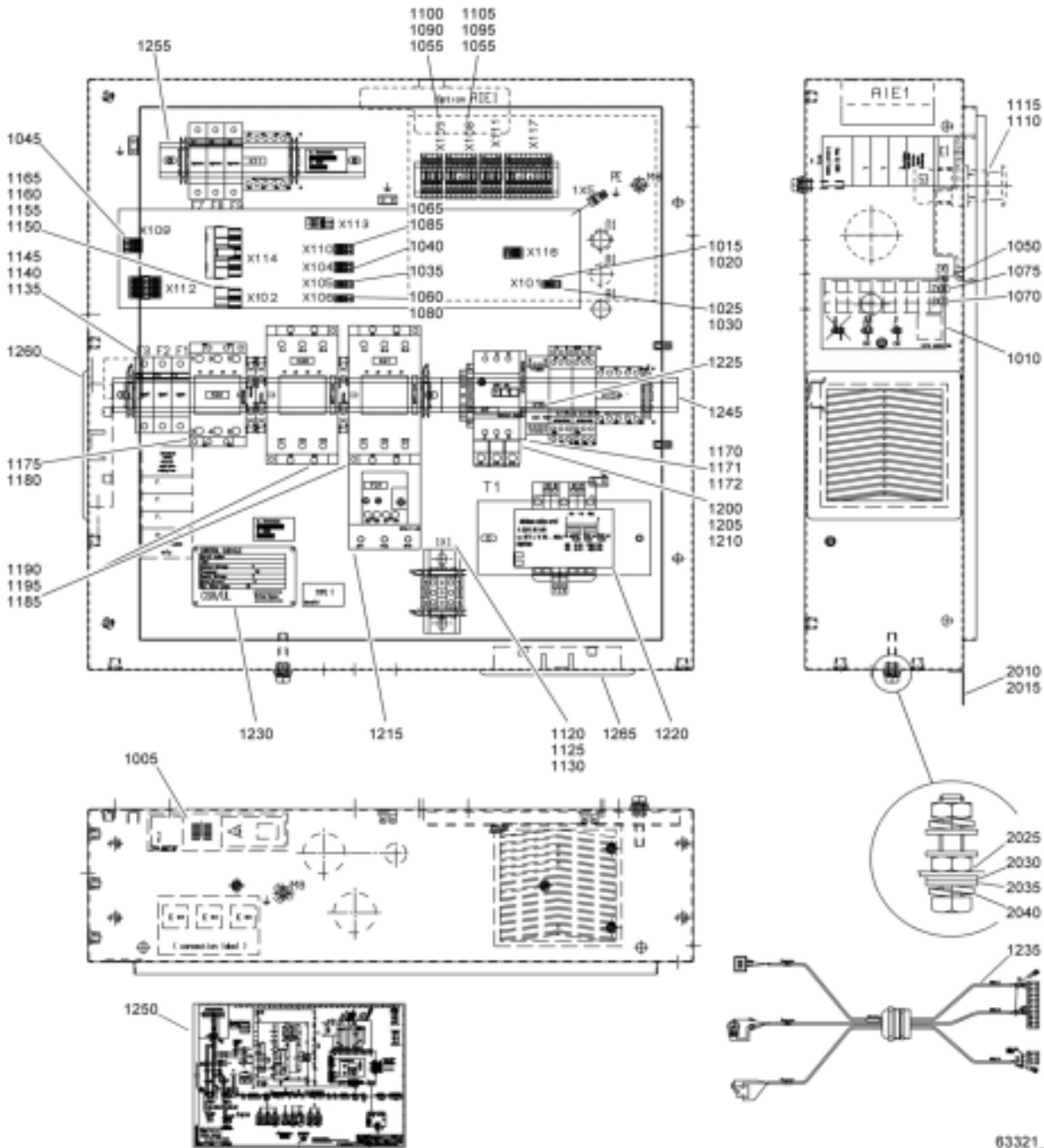
Ref.	Partnumber	Qty	Name	Remarks	Ref.	Partnumber	Qty	Name	Remarks
1015	1622 0136 00	1	Support		3030	1613 9028 00	• 1	Decal	
1020	1619 2766 00	4	Bolt		3035	1079 9920 93	• 1	Label	
1025	1622 0116 82	1	Panel assembly 1)		4080		1	Fan assy	
		• 1	Label			1622 0706 02		GA 11+ 230-400V/50Hz	
	1079 9915 89		Automatic waterdrain			1622 0103 11		GA 11+ 200-220V/60Hz	
		• 1	Label					CSA/UL	
	1079 9915 98		Manual waterdrain			1622 0103 13		GA 11+ 220-230V/440-460/	
1030	1619 2766 00	2	Bolt					60Hz CSA/UL	
1035	1622 0363 00	1	Support			1622 0103 14		GA 11+ 575V/60Hz CSA/UL	
1040	1619 2766 00	2	Bolt			1622 0706 02		GA 15+ 230-400V/50Hz	
1050	0147 1963 08	4	Hexagon bolt			1622 0103 11		GA 15+ 200-220V/60Hz	
1055	0147 1963 08	6	Hexagon bolt					CSA/UL	
1065	1202 6400 00	2	Hinge			1622 0103 13		GA 15+ 220-230V/440-460/	
1070	0147 1244 03	2	Hexagon bolt					60Hz CSA/UL	
1075	0301 2321 00	2	Washer			1622 0103 14		GA 15+ 575V/60Hz CSA/UL	
1080	1622 0115 80	1	Panel assembly 1)			1622 0706 02		GA 18+ 230-400V/50Hz	
1085	1619 2766 00	2	Bolt			1622 0103 11		GA 18+ 200-220V/60Hz	
1090	1622 0536 81	1	Roof assembly 1)					CSA/UL	
	1613 9963 00	• 4	Corner			1622 0103 13		GA 18+ 220-230V/440-460/	
	0129 3174 00	• 8	Blind rivet					60Hz CSA/UL	
1095	0147 1963 08	5	Hexagon bolt			1622 0103 14		GA 18+ 575V/60Hz CSA/UL	
1100	1622 0537 81	1	Plate assembly 1)			1622 0706 02		GA 22+ 230-400V/50Hz	
1105	1619 2766 00	1	Bolt			1622 0103 11		GA 22+ 200-220V/60Hz	
1110	0147 1963 08	4	Hexagon bolt					CSA/UL	
1115	1622 0126 80	2	Panel assembly 1)			1622 0103 13		GA 22+ 220-230V/440-460/	
	1513 0431 00	• 1	Door lock					60Hz CSA/UL	
	1616 2987 00	• 2	Plug			1622 0103 14		GA 22+ 575V/60Hz CSA/UL	
	0690 1116 01	• 1	House mark			1622 0103 22		GA 30 230-400V/50Hz	
1120	1622 0119 80	1	Panel assembly 1)			1622 0103 33		GA 30 220-230/440-460V/60Hz	
	1079 9901 18	• 1	Warning label					CSA/UL	
	1619 2665 00	• AR	Seal			1622 0103 34		GA 30 575V/60Hz CSA/UL	
1125	1619 2766 00	2	Bolt		5010	1079 9903 48	2	Warning label	
1130	1622 0114 80	2	Panel assembly 1)		5025	1088 1001 01	2	Warning mark	
1135	1615 8384 00	4	Rivet		5030	1503 0786 00	2	Rotation arrow	
1140	0266 2110 00	1	Nut		6010		1	Decal	
1145	0333 3227 00	1	Lock washer			1622 4631 47		GA11+	
1150	0301 2335 00	1	Washer			1622 4631 48		GA11+ FF	
1155	0129 3103 00	4	Blind rivet			1622 4631 49		GA15+	
1160	1089 9068 01	2	Key			1622 4631 50		GA15+ FF	
1165	1089 9154 02	1	Key			1622 4631 11		GA18+	
1170	1088 1301 02	1	Cable strip			1622 4631 12		GA18+ FF	
1175	0147 1963 08	4	Hexagon bolt			1622 4631 13		GA22+	
1180	1622 0397 80	1	Door panel assy 1)			1622 4631 14		GA22+ FF	
	1616 2987 00	• 1	Plug			1622 4631 23		GA30	
	1513 0431 00	• 1	Door lock			1622 4631 24		GA30 FF	
1200	1622 0535 80	1	Baffle assembly 1)		6015		1	Data plate	
1205	0147 1963 08	2	Hexagon bolt			1614 5933 00		bar(e)	
1210	1619 3843 00	AR	Seal			1622 0395 00		psig	
2010	1622 0113 10	1	Frame		6020	1613 9846 00	1	Decal WorkPlace	
	1622 0199 80	1	Door assembly 1)		7020	1622 0144 00	1	Oil containing frame	
3005	1622 0199 00	• 1	Door panel						
3010	1079 9903 48	• 1	Warning label		1)			Lined with / Bekleed met / Beklädd med / Ausgekleidet	
3015	1079 9906 09	• 1	Label					mit / Garnir de / Rivestido de / Allineato con / Foret med	
3020	1088 1001 03	• 1	Warning mark					/ Revestido com / Kledd med / Vuorattu :	
3025	1619 7705 00	• 1	Lock					Foam: 0395 6001 66 (AR) 25 x 2040 x 1650	



Ref.	Part number	Qty	Name	Remarks	Ref.	Part number	Qty	Name	Remarks
	1900 2053 10		GA 22+ 440-460V/60Hz 3ph			1089 0612 24		GA 30 380V/50Hz HAV	
	1900 2053 08		GA 22+ 500V/50Hz			1089 0612 23		GA 30 400V/50Hz HAV	
	1900 2053 32		GA 30 220-230V/50-60Hz HAV			1089 0612 24		GA 30 440-460V/60Hz HAV	
	1900 2053 36		GA 30 380V/50Hz HAV			1089 0612 23		GA 30 500V/50Hz HAV	
	1900 2053 25		GA 30 400V/50Hz HAV		1 150	1089 0700 01	• 1	Connector	
	1900 2053 36		GA 30 440-460V/60Hz HAV		1 155	1089 0700 02	• 1	Connector	
	1900 2053 28		GA 30 500V/50Hz HAV		1 160	1089 0700 03	• 8	Connector pin	
1 005	1079 9901 68	• 1	Warning label		1 165	1089 0700 04	• 8	Connector socket	
1 010	1079 9906 09	• 1	Label		1 170	1089 9511 15	• 1	Interface relay	
1 020	1088 0015 16	• 2	Connector pin		1 171	1089 9511 16	• 1	Interface relay	
1 025	1088 0015 22	• 1	Connector plug		1 172	1089 9511 51	• 1	Interface relay	
1 030	1088 0015 36	• 2	Connector socket		1 175		• 1	Contact block	
1 035	1088 0031 02	• 2	Connector			1089 9415 09		GA 11+ 220-230V/50-60Hz	
1 040	1088 0031 03	• 1	Connector			1089 9415 09		GA 11+ 220V/50-60Hz HAV	
1 045	1088 0031 04	• 1	Connector			1089 9415 14		GA 11+ 380V/50-60Hz	
1 050	1088 0031 13	• 1	Connector			1089 9415 14		GA 11+ 400V/50Hz	
1 055	1088 0031 18	• 4	Adaptor			1089 9415 14		GA 11+ 440-460V/60Hz 3ph	
1 060	1088 0031 22	• 2	Connector			1089 9415 14		GA 11+ 500V/50Hz	
1 065	1088 0031 23	• 1	Connector			1089 9415 09		GA 15+ 200V/50-60Hz HAV	
1 070	1088 0031 29	• 1	Connector			1089 9415 09		GA 15+ 220-230V/60Hz	
1 075	1088 0031 49	• 1	Connector			1089 9415 09		GA 15+ 230V/50Hz	
1 080	1088 0031 82	• 2	Connector			1089 9415 09		GA 15 380V/50-60Hz	
1 085	1088 0031 83	• 1	Connector			1089 9415 09		GA 15+ 400V/50Hz	
1 090	1088 0031 84	• 1	Connector			1089 9415 14		GA 15+ 400-460V/60Hz 3ph	
1 095	1088 0031 86	• 1	Connector			1089 9415 14		GA 15+ 500V/50Hz	
1 100	1088 0037 04	• 1	Connector			1089 9415 09		GA 18+ 200V/50Hz HAV	
1 105	1088 0037 06	• 1	Connector			1089 9415 09		GA 18+ 200V/60Hz	
1 110	1089 0362 50	• 2	Contact block			1089 9415 09		GA 18+ 220-230V/50-60Hz	
1 115	1089 0362 51	• 1	Push button			1089 9415 09		GA 18+ 380V/50-60Hz	
1 120	1089 0506 27	• 1	Terminal			1089 9415 09		GA 18+ 400V/50Hz	
1 125	1089 0506 30	• 3	End bracket			1089 9415 09		GA 18+ 400-460V/60Hz 3ph	
1 130	1089 0506 75	• 1	Terminal			1089 9415 09		GA 18+ 500V/50Hz	
1 135	1089 0612 01	• 3	Fuse holder			1089 9415 09		GA 22+ 200V/50-60Hz HAV	
1 140	1089 0612 22	• 1	Fuse			1089 9415 09		GA 22+ 220-230V/60Hz	
1 145		• 2	Fuse			1089 9415 09		GA 22+ 230V/50Hz HAV	
	1089 0612 23		GA 11+ 220-230V/50-60Hz			1089 9415 09		GA 22+ 380V/50-60Hz	
	1089 0612 24		GA 11+ 220V/50-60Hz HAV			1089 9415 09		GA 22+ 400V/50Hz	
	1089 0612 23		GA 11+ 380V/50-60Hz			1089 9415 09		GA 22+ 440-460V/60Hz 3ph	
	1089 0612 23		GA 11+ 400V/50Hz			1089 9415 09		GA 22+ 500V/50Hz	
	1089 0612 23		GA 11+ 440-460V/60Hz 3ph			1089 9415 09		GA 30 220-230V/50-60Hz HAV	
	1089 0612 23		GA 11+ 500V/50Hz			1089 9415 09		GA 30 380V/50Hz HAV	
	1089 0612 24		GA 15+ 200V/50-60Hz HAV			1089 9415 09		GA 30 400V/50Hz HAV	
	1089 0612 23		GA 15+ 220-230V/60Hz			1089 9415 09		GA 30 440-460V/60Hz HAV	
	1089 0612 23		GA 15+ 230V/50Hz			1089 9415 09		GA 30 500V/50Hz HAV	
	1089 0612 23		GA 15+ 380V/50-60Hz		1 180		• 1	Contact	
	1089 0612 23		GA 15+ 400V/50Hz			1089 9415 26		GA 11+ 220-230V/50-60Hz	
	1089 0612 23		GA 15+ 400-460V/60Hz 3ph			1089 9415 34		GA 11+ 220V/50-60Hz HAV	
	1089 0612 23		GA 15+ 500V/50Hz			1089 9438 34		GA 11+ 380V/50-60Hz	
	1089 0612 24		GA 18+ 200V/50Hz HAV			1089 9438 34		GA 11+ 400V/50Hz	
	1089 0612 24		GA 18+ 200V/60Hz			1089 9438 34		GA 11+ 440-460V/60Hz 3ph	
	1089 0612 24		GA 18+ 220-230V/50-60Hz			1089 9438 34		GA 11+ 500V/50Hz	
	1089 0612 23		GA 18+ 380V/50-60Hz			1089 9415 34		GA 15+ 200V/50-60Hz HAV	
	1089 0612 23		GA 18+ 400V/50Hz			1089 9415 26		GA 15+ 220-230V/60Hz	
	1089 0612 23		GA 18+ 400-460V/60Hz 3ph			1089 9415 26		GA 15+ 230V/50Hz	
	1089 0612 23		GA 18+ 500V/50Hz			1089 9415 24		GA 15+ 380V/50-60Hz	
	1089 0612 24		GA 22+ 200V/50-60Hz HAV			1089 9415 24		GA 15+ 400V/50Hz	
	1089 0612 24		GA 22+ 220-230V/60Hz			1089 9438 34		GA 15+ 400-460V/60Hz 3ph	
	1089 0612 24		GA 22+ 230V/50Hz HAV			1089 9438 34		GA 15+ 500V/50Hz	
	1089 0612 23		GA 22+ 380V/50-60Hz			1089 9415 34		GA 18+ 200V/50Hz HAV	
	1089 0612 23		GA 22+ 400V/50Hz			1089 9415 34		GA 18+ 200V/60Hz	
	1089 0612 23		GA 22+ 440-460V/60Hz 3ph			1089 9415 34		GA 18+ 220-230V/50-60Hz	
	1089 0612 23		GA 22+ 500V/50Hz			1089 9415 26		GA 18+ 380V/50-60Hz	
	1089 0612 24		GA 30 220-230V/50-60Hz HAV			1089 9415 24		GA 18+ 400V/50Hz	

12

Start cubicle - Star / Delta - IEC



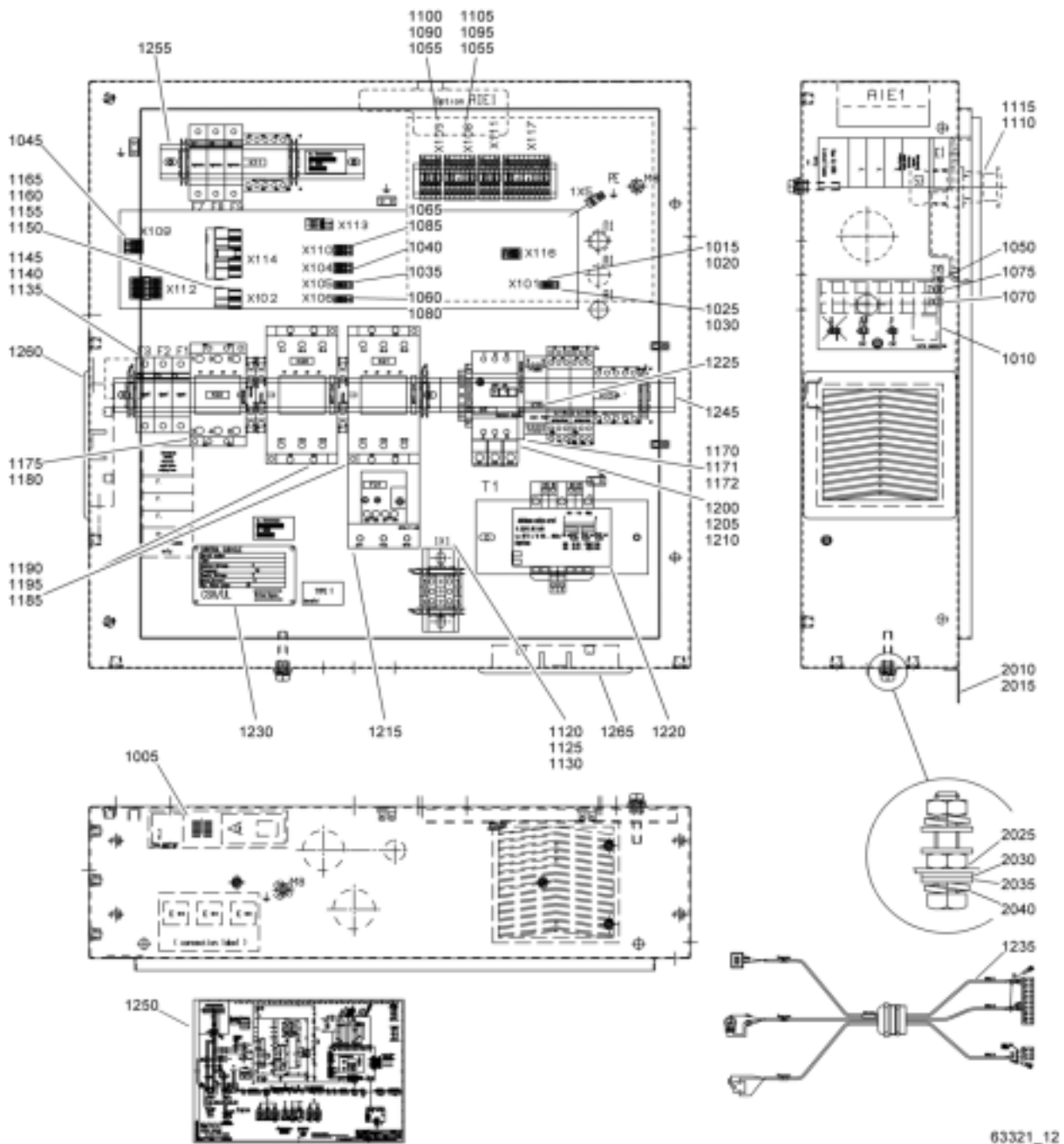
63321_12

Ref.	Partnumber	Qty	Name	Remarks	Ref.	Partnumber	Qty	Name	Remarks
	1089 9415 24		GA 18+ 400-460V/60Hz 3ph			1089 9415 34		GA 30 440-460V/60Hz HAV	
	1089 9415 24		GA 18+ 500V/50Hz			1089 9415 34		GA 30 500V/50Hz HAV	
	1089 9415 34		GA 22+ 200V/50-60Hz HAV		1 185	• 2		Contactors	
	1089 9415 34		GA 22+ 220-230V/60Hz			1089 9415 34		GA 11+ 220-230V/50-60Hz	
	1089 9415 34		GA 22+ 230V/50Hz HAV			1089 9415 44		GA 11+ 220V/50-60Hz HAV	
	1089 9415 26		GA 22+ 380V/50-60Hz			1089 9415 26		GA 11+ 380V/50-60Hz	
	1089 9415 26		GA 22+ 400V/50Hz			1089 9415 24		GA 11+ 400V/50Hz	
	1089 9415 26		GA 22+ 440-460V/60Hz 3ph			1089 9415 26		GA 11+ 440-460V/60Hz 3ph	
	1089 9415 24		GA 22+ 500V/50Hz			1089 9415 24		GA 11+ 500V/50Hz	
	1089 9415 36		GA 30 220-230V/50-60Hz HAV			1089 9415 44		GA 15+ 200V/50-60Hz HAV	
	1089 9415 34		GA 30 380V/50Hz HAV			1089 9415 34		GA 15+ 220-230V/60Hz	
	1089 9415 26		GA 30 400V/50Hz HAV			1089 9415 34		GA 15+ 230V/50Hz	



Ref.	Partnumber	Qty	Name	Remarks	Ref.	Partnumber	Qty	Name	Remarks
	1089 9415 26		GA 15+ 380V/50-60Hz			1089 9416 05		GA 11+ 400V/50Hz	
	1089 9415 26		GA 15+ 400V/50Hz			1089 9416 05		GA 11+ 440-460V/60Hz 3ph	
	1089 9415 26		GA 15+ 400-460V/60Hz 3ph			1089 9416 05		GA 11+ 500V/50Hz	
	1089 9415 26		GA 15+ 500V/50Hz			1089 9362 04		GA 15+ 200V/50-60Hz HAV	
	1089 9415 44		GA 18+ 200V/50Hz HAV			1089 9416 93		GA 15+ 220-230V/60Hz	
	1089 9415 44		GA 18+ 200V/60Hz			1089 9416 93		GA 15+ 230V/50Hz	
	1089 9415 36		GA 18+ 220-230V/50-60Hz			1089 9416 05		GA 15+ 380V/50-60Hz	
	1089 9415 34		GA 18+ 380V/50-60Hz			1089 9416 05		GA 15+ 400V/50Hz	
	1089 9415 26		GA 18+ 400V/50Hz			1089 9416 05		GA 15+ 400-460V/60Hz 3ph	
	1089 9415 26		GA 18+ 400-460V/60Hz 3ph			1089 9416 05		GA 15+ 500V/50Hz	
	1089 9415 26		GA 18+ 500V/50Hz			1089 9362 04		GA 18+ 200V/50Hz HAV	
	1089 9415 44		GA 22+ 200V/50-60Hz HAV			1089 9362 04		GA 18+ 200V/60Hz	
	1089 9415 44		GA 22+ 220-230V/60Hz			1089 9416 93		GA 18+ 220-230V/50-60Hz	
	1089 9415 44		GA 22+ 230V/50Hz HAV			1089 9416 93		GA 18+ 380V/50-60Hz	
	1089 9415 34		GA 22+ 380V/50-60Hz			1089 9416 05		GA 18+ 400V/50Hz	
	1089 9415 34		GA 22+ 400V/50Hz			1089 9416 05		GA 18+ 400-460V/60Hz 3ph	
	1089 9415 34		GA 22+ 440-460V/60Hz 3ph			1089 9416 05		GA 18+ 500V/50Hz	
	1089 9415 26		GA 22+ 500V/50Hz			1089 9362 04		GA 22+ 200V/50-60Hz HAV	
	1089 9415 45		GA 30 220-230V/50-60Hz HAV			1089 9362 04		GA 22+ 220-230V/60Hz	
	1089 9415 44		GA 30 380V/50Hz HAV			1089 9362 04		GA 22+ 230V/50Hz HAV	
	1089 9415 35		GA 30 400V/50Hz HAV			1089 9416 93		GA 22+ 380V/50-60Hz	
	1089 9415 44		GA 30 440-460V/60Hz HAV			1089 9416 93		GA 22+ 400V/50Hz	
	1089 9415 34		GA 30 500V/50Hz HAV			1089 9416 93		GA 22+ 440-460V/60Hz 3ph	
1 190	1089 9415 55	• 1	Contact block			1089 9416 05		GA 22+ 500V/50Hz	
1 195	1089 9415 56	• 1	Contact block			1089 9362 04		GA 30 220-230V/50-60Hz HAV	
1 200	1089 9416 01	• 1	Aux. contact block			1089 9362 04		GA 30 380V/50Hz HAV	
1 205		• 1	Circuit breaker			1089 9416 93		GA 30 400V/50Hz HAV	
	1089 9416 24		GA 11+ 220-230V/50-60Hz			1089 9362 04		GA 30 440-460V/60Hz HAV	
	1089 9416 24		GA 11+ 220V/50-60Hz HAV			1089 9416 93		GA 30 500V/50Hz HAV	
	1089 9416 21		GA 11+ 380V/50-60Hz		1 215	• 1	Overload relay		
	1089 9416 21		GA 11+ 400V/50Hz			1089 9424 39		GA 11+ 220-230V/50-60Hz	
	1089 9416 21		GA 11+ 440-460V/60Hz 3ph			1089 9446 16		GA 11+ 220V/50-60Hz HAV	
	1089 9416 21		GA 11+ 500V/50Hz			1089 9424 29		GA 11+ 380V/50-60Hz	
	1089 9416 24		GA 15+ 200V/50-60Hz HAV			1089 9424 29		GA 11+ 400V/50Hz	
	1089 9416 24		GA 15+ 220-230V/60Hz			1089 9424 29		GA 11+ 440-460V/60Hz 3ph	
	1089 9416 24		GA 15+ 230V/50Hz			1089 9424 28		GA 11+ 500V/50Hz	
	1089 9416 21		GA 15+ 380V/50-60Hz			1089 9446 16		GA 15+ 200V/50-60Hz HAV	
	1089 9416 21		GA 15+ 400V/50Hz			1089 9424 39		GA 15+ 220-230V/60Hz	
	1089 9416 21		GA 15+ 400-460V/60Hz 3ph			1089 9424 39		GA 15+ 230V/50Hz	
	1089 9416 21		GA 15+ 500V/50Hz			1089 9424 31		GA 15+ 380V/50-60Hz	
	1089 9416 24		GA 18+ 200V/50Hz HAV			1089 9424 30		GA 15+ 400V/50Hz	
	1089 9416 24		GA 18+ 200V/60Hz			1089 9424 29		GA 15+ 400-460V/60Hz 3ph	
	1089 9416 24		GA 18+ 220-230V/50-60Hz			1089 9424 29		GA 15+ 500V/50Hz	
	1089 9416 21		GA 18+ 380V/50-60Hz			1089 9446 16		GA 18+ 200V/50Hz HAV	
	1089 9416 21		GA 18+ 400V/50Hz			1089 9446 16		GA 18+ 200V/60Hz	
	1089 9416 21		GA 18+ 400-460V/60Hz 3ph			1089 9424 41		GA 18+ 220-230V/50-60Hz	
	1089 9416 21		GA 18+ 500V/50Hz			1089 9424 39		GA 18+ 380V/50-60Hz	
	1089 9416 24		GA 22+ 200V/50-60Hz HAV			1089 9424 31		GA 18+ 400V/50Hz	
	1089 9416 24		GA 22+ 220-230V/60Hz			1089 9424 31		GA 18+ 400-460V/60Hz 3ph	
	1089 9416 24		GA 22+ 230V/50Hz HAV			1089 9424 31		GA 18+ 500V/50Hz	
	1089 9416 21		GA 22+ 380V/50-60Hz			1089 9446 16		GA 22+ 200V/50-60Hz HAV	
	1089 9416 21		GA 22+ 400V/50Hz			1089 9424 46		GA 22+ 220-230V/60Hz	
	1089 9416 21		GA 22+ 440-460V/60Hz 3ph			1089 9446 16		GA 22+ 230V/50Hz HAV	
	1089 9416 21		GA 22+ 500V/50Hz			1089 9424 39		GA 22+ 380V/50-60Hz	
	1089 9416 26		GA 30 220-230V/50-60Hz HAV			1089 9424 39		GA 22+ 400V/50Hz	
	1089 9416 24		GA 30 380V/50Hz HAV			1089 9424 39		GA 22+ 440-460V/60Hz 3ph	
	1089 9416 23		GA 30 400V/50Hz HAV			1089 9424 31		GA 22+ 500V/50Hz	
	1089 9416 24		GA 30 440-460V/60Hz HAV			1089 9424 48		GA 30 220-230V/50-60Hz HAV	
	1089 9416 23		GA 30 500V/50Hz HAV			1089 9446 16		GA 30 380V/50Hz HAV	
1 210		• 1	Supply terminal			1089 9424 40		GA 30 400V/50Hz HAV	
	1089 9416 93		GA 11+ 220-230V/50-60Hz			1089 9446 16		GA 30 440-460V/60Hz HAV	
	1089 9362 04		GA 11+ 220V/50-60Hz HAV			1089 9424 39		GA 30 500V/50Hz HAV	
	1089 9416 05		GA 11+ 380V/50-60Hz						

12 Start cubicle - Star / Delta - IEC



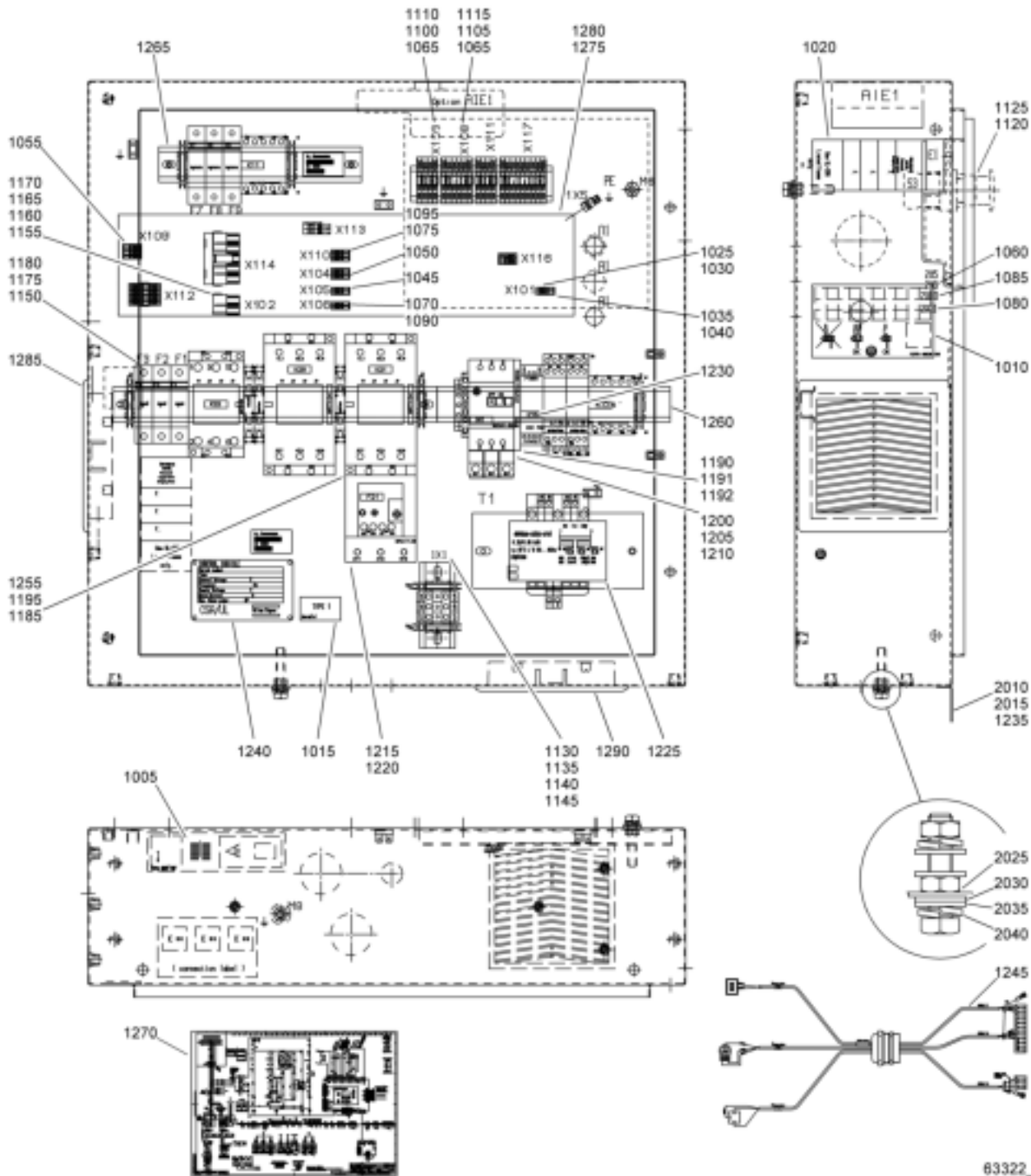
63321_12

Ref.	Partnumber	Qty	Name	Remarks	Ref.	Partnumber	Qty	Name	Remarks
1 220		• 1	Trafo						
	1089 9436 43		GA 11+ 220-230V/50-60Hz			1622 0548 85		GA 18+ 200V/60Hz	
	1089 9436 44		GA 11+ 220V/50-60Hz HAV			1622 0122 85		GA 18+ 220-230V/50-60Hz	
	1089 9436 42		GA 11+ 380V/50-60Hz			1622 0122 85		GA 18+ 380V/50-60Hz	
	1089 9436 37		GA11 +400V/50Hz			1622 0122 85		GA 18+ 400V/50Hz	
	1089 9436 42		GA 11+ 440-460V/60Hz 3ph			1622 0122 85		GA 18+ 400-460V/60Hz 3ph	
	1089 9436 42		GA 11+ 500V/50Hz			1622 0548 85		GA 18+ 500V/50Hz	
	1089 9436 44		GA 15+ 200V/50-60Hz HAV			1622 0122 85		GA 22+ 200V/50-60Hz HAV	
	1089 9436 43		GA 15+ 220-230V/60Hz			1622 0548 85		GA 22+ 220-230V/60Hz	
	1089 9436 43		GA 15+ 230V/50Hz			1622 0122 85		GA 22+ 230V/50Hz HAV	
	1089 9436 42		GA 15+ 380V/50-60Hz			1622 0122 85		GA 22+ 380V/50-60Hz	
	1089 9436 37		GA 15+ 400V/50Hz			1622 0122 85		GA 22+ 400V/50Hz	
	1089 9436 42		GA 15+ 400-460V/60Hz 3ph			1622 0122 85		GA 22+ 440-460V/60Hz 3ph	
	1089 9436 42		GA 15+ 500V/50Hz			1622 0122 85		GA 22+ 500V/50Hz	
	1089 9436 44		GA 18+ 200V/50Hz HAV			1622 0361 85		GA 30 220-230V/50-60Hz HAV	
	1089 9436 44		GA 18+ 200V/60Hz			1622 0548 85		GA 30C 380V/50Hz HAV	
	1089 9436 44		GA 18+ 220-230V/50-60Hz			1622 0361 85		GA 30 400V/50Hz HAV	
	1089 9436 43		GA 18+ 380V/50-60Hz			1622 0548 85		GA 30 440-460V/60Hz HAV	
	1089 9436 37		GA 18+ 400V/50Hz			1622 0361 85		GA 30 500V/50Hz HAV	
	1089 9436 42		GA 18+ 400-460V/60Hz 3ph		2010		•• 1	Cubicle	
	1089 9436 42		GA 18+ 500V/50Hz			1622 0361 05		GA 11+ 220-230V/50-60Hz	
	1089 9436 44		GA 22+ 200V/50-60Hz HAV			1622 0548 05		GA 11+ 220V/50-60Hz HAV	
	1089 9436 44		GA 22+ 220-230V/60Hz			1622 0361 05		GA 11+ 380V/50-60Hz	
	1089 9436 44		GA 22+ 230V/50Hz HAV			1622 0361 05		GA 11+ 400V/50Hz	
	1089 9436 43		GA 22+ 380V/50-60Hz			1622 0361 05		GA 11+ 440-460V/60Hz 3ph	
	1089 9436 38		GA 22+ 400V/50Hz			1622 0361 05		GA 11+ 500V/50Hz	
	1089 9436 43		GA 22+ 440-460V/60Hz 3ph			1622 0548 05		GA 15+ 200V/50-60Hz HAV	
	1089 9436 42		GA 22+ 500V/50Hz			1622 0361 05		GA 15+ 220-230V/60Hz	
	1089 9436 44		GA 30 220-230V/50-60Hz HAV			1622 0361 05		GA 15+ 230V/50Hz	
	1089 9436 44		GA 30 380V/50Hz HAV			1622 0361 05		GA 15+ 380V/50-60Hz	
	1089 9436 38		GA 30 400V/50Hz HAV			1622 0361 05		GA 15+ 400V/50Hz	
	1089 9436 44		GA 30 440-460V/60Hz HAV			1622 0361 05		GA 15+ 400-460V/60Hz 3ph	
	1089 9436 43		GA 30 500V/50Hz HAV			1622 0548 05		GA 15+ 500V/50Hz	
1 225	1089 9461 07	• 1	Phase seq relay			1622 0548 05		GA 18+ 200V/60Hz	
1 230	1613 6639 00	• 1	Data plate			1622 0361 05		GA 18+ 220-230V/50-60Hz	
1 235	1622 0005 43	• 1	Wiring			1622 0361 05		GA 18+ 380V/50-60Hz	
1 245	9139 5000 16	• AR	Rail			1622 0361 05		GA 18+ 400V/50Hz	
1 250	9820 3554 06	• 1	Service diagram			1622 0361 05		GA 18+ 400-460V/60Hz 3ph	
1 255	9139 5000 16	• AR	Rail			1622 0361 05		GA 18+ 500V/50Hz	
1 260	1089 9556 15	• 1	Air inlet left			1622 0548 05		GA 22+ 200V/50-60Hz HAV	
1 265	1089 9556 05	• 1	Air inlet right			1622 0361 05		GA 22+ 220-230V/60Hz	
		• 1	Assembly drawing			1622 0548 05		GA 22+ 230V/50Hz HAV	
	1622 0122 85		GA 11+ 220-230V/50-60Hz			1622 0361 05		GA 22+ 380V/50-60Hz	
	1622 0548 85		GA 11+ 220V/50-60Hz HAV			1622 0361 05		GA 22+ 400V/50Hz	
	1622 0122 85		GA 11+ 380V/50-60Hz			1622 0361 05		GA 22+ 440-460V/60Hz 3ph	
	1622 0122 85		GA 11+ 400V/50Hz			1622 0361 05		GA 22+ 500V/50Hz	
	1622 0122 85		GA 11+ 440-460V/60Hz 3ph			1622 0361 05		GA 30 220-230V/50-60Hz HAV	
	1622 0122 85		GA 11+ 500V/50Hz			1622 0548 05		GA 30 380V/50Hz HAV	
	1622 0548 85		GA 15+ 200V/50-60Hz HAV			1622 0361 05		GA 30 400V/50Hz HAV	
	1622 0122 85		GA 15+ 220-230V/60Hz			1622 0548 05		GA 30 440-460V/60Hz HAV	
	1622 0122 85		GA 15+ 230V/50Hz			1622 0361 05		GA 30 500V/50Hz HAV	
	1622 0122 85		GA 15+ 380V/50-60Hz		2015	1202 6584 00	•• AR	Seal	
	1622 0122 85		GA 15+ 400V/50Hz		2025	0268 7110 00	•• 2	Nut	
	1622 0122 85		GA 15+ 400-460V/60Hz 3ph		2030	0300 0275 05	•• 2	Washer	
	1622 0122 85		GA 15+ 500V/50Hz		2035	0301 2335 00	•• 2	Washer	
	1622 0548 85		GA 18+ 200V/50Hz HAV		2040	0333 2174 37	•• 2	Spring washer	

Start cubicle - DOL - CSA/UL

Ref.	Partnumber	Qty	Name	Remarks	Ref.	Partnumber	Qty	Name	Remarks
		1	Electr. panel						
	1900 2053 56		GA 11+200-230V/60Hz			1089 9362 04		GA 15+200V/60Hz	
	1900 2053 50		GA 11+400-460V/60Hz			1089 9362 04		GA 15+200-230V/60Hz	
	1900 2053 53		GA 11+575V/60Hz			1089 9416 93		GA 15+400-460V/60Hz	
	1900 2053 57		GA 15+200V/60Hz			1089 9416 93		GA 15+575V/60Hz	
	1900 2053 52		GA 15+200-230V/60Hz			1089 9416 93		GA 18+400-460V/60Hz	
	1900 2053 50		GA 15+400-460V/60Hz			1089 9416 93		GA 18+575V/60Hz	
	1900 2053 53		GA 15+575V/60Hz			1089 9416 93		GA 22+400-460V/60Hz	
	1900 2053 51		GA 18+400-460V/60Hz			1089 9362 04		GA 22+575V/60Hz	
	1900 2053 54		GA 18+575V/60Hz		1 190	1089 9511 15	• 1	GA 30 400-575V/60Hz HAV	Interface relay
	1900 2053 51		GA 22+400-460V/60Hz		1 191	1089 9511 16	• 1		Interface relay
	1900 2053 54		GA 22+575V/60Hz		1 192	1089 9511 15	• 1		Interface relay
	1900 2053 55		GA 30 400-575V/60Hz HAV		1 195		• 1		Contactor
1005	1079 9901 68	• 1	Warning label			1089 9415 44		GA 11+200-230V/60Hz	
1010	1079 9906 09	• 1	Label			1089 9415 35		GA 11+400-460V/60Hz	
1015	1079 9911 01	• 1	Label			1089 9415 34		GA 11+575V/60Hz	
1020	1079 9924 27	• 1	Label			1089 9415 46		GA 15+200V/60Hz	
1025	1088 0015 02	• 1	Connector plug			1089 9415 45		GA 15+200-230V/60Hz	
1030	1088 0015 16	• 2	Connector pin			1089 9415 35		GA 15+400-460V/60Hz	
1035	1088 0015 22	• 1	Connector plug			1089 9415 34		GA 15+575V/60Hz	
1040	1088 0015 36	• 2	Connector socket			1089 9415 36		GA 18+400-460V/60Hz	
1045	1088 0031 02	• 2	Connector			1089 9415 35		GA 18+575V/60Hz	
1050	1088 0031 03	• 1	Connector			1089 9415 36		GA 22+400-460V/60Hz	
1055	1088 0031 04	• 1	Connector			1089 9415 35		GA 22+575V/60Hz	
1060	1088 0031 13	• 1	Connector			1089 9415 45		GA 30 400-575V/60Hz HAV	
1065	1088 0031 18	• 4	Adaptor		1 200	1089 9416 01	• 1	Aux.contact block	
1070	1088 0031 22	• 2	Connector		1 205		• 1	Circuit breaker	
1075	1088 0031 23	• 1	Connector			1089 9416 64		GA 11+200-230V/60Hz	
1080	1088 0031 29	• 1	Connector			1089 9416 61		GA 11+400-460V/60Hz	
1085	1088 0031 49	• 1	Connector			1089 9416 61		GA 11+575V/60Hz	
1090	1088 0031 82	• 2	Connector			1089 9416 64		GA 15+200V/60Hz	
1095	1088 0031 83	• 1	Connector			1089 9416 64		GA 15+200-230V/60Hz	
1100	1088 0031 84	• 1	Connector			1089 9416 61		GA 15+400-460V/60Hz	
1105	1088 0031 86	• 1	Connector			1089 9416 61		GA 15+575V/60Hz	
1110	1088 0037 04	• 1	Connector			1089 9416 61		GA 18+400-460V/60Hz	
1115	1088 0037 06	• 1	Connector			1089 9416 61		GA 18+575V/60Hz	
1120	1089 0362 50	• 2	Contact block			1089 9416 61		GA 22+400-460V/60Hz	
1125	1089 0362 51	• 1	Push button			1089 9416 61		GA 22+575V/60Hz	
1130		• 2	Terminal			1089 9416 62		GA 30 400-575V/60Hz HAV	
	1089 0506 07		GA 11+200-230V/60Hz		1 210	1089 9416 75	• 1	Connection block	
	1089 0506 09		GA 11+400-460V/60Hz		1 215		• 1	Overload relay	
	1089 0506 07		GA 15+200V/60Hz			1089 9424 46		GA 11+200-230V/60Hz	
	1089 0506 07		GA 15+200-230V/60Hz			1089 9424 38		GA 11+400-460V/60Hz	
	1089 0506 09		GA 15+400-460V/60Hz			1089 9424 37		GA 11+575V/60Hz	
	1089 0506 09		GA 18+400-460V/60Hz			1089 9424 47		GA 15+200V/60Hz	
	1089 0506 09		GA 22+400-460V/60Hz			1089 9424 47		GA 15+200-230V/60Hz	
	1089 0506 07		GA 30 400-575V/60Hz HAV			1089 9424 38		GA 15+400-460V/60Hz	
1135	1089 0506 27	• 1	Terminal			1089 9424 37		GA 15+575V/60Hz	
1140	1089 0506 30	• 5	End bracket			1089 9424 41		GA 18+400-460V/60Hz	
1145	1089 0506 75	• 1	Terminal			1089 9424 39		GA 18+575V/60Hz	
1150	1089 0612 01	• 3	Fuse holder			1089 9424 41		GA 22+400-460V/60Hz	
1155	1089 0700 01	• 1	Connector			1089 9424 39		GA 22+575V/60Hz	
1160	1089 0700 02	• 1	Connector			1089 9424 46		GA 30 400-575V/60Hz HAV	
1165	1089 0700 03	• 4	Connector pin		1 220	1089 9424 99	• 1	Connector/adapter	
1170	1089 0700 04	• 8	Connector socket		1 225		• 1	Trafo	
1175	1089 9168 24	• 2	Fuse link			1089 9436 43		GA 11 200-230V/60Hz	
1180	1089 9168 36	• 1	Fuse link			1089 9436 42		GA 11+400-460V/60Hz	
1185		• 1	Cover			1089 9436 42		GA 11+575V/60Hz	
	1089 9362 04		GA 11+200-230V/60Hz			1089 9436 43		GA 15+200-230V/60Hz	
	1089 9416 93		GA 11+400-460V/60Hz			1089 9436 42		GA 15+400-460V/60Hz	
	1089 9416 93		GA 11+575V/60Hz			1089 9436 42		GA 15+575V/60Hz	

13



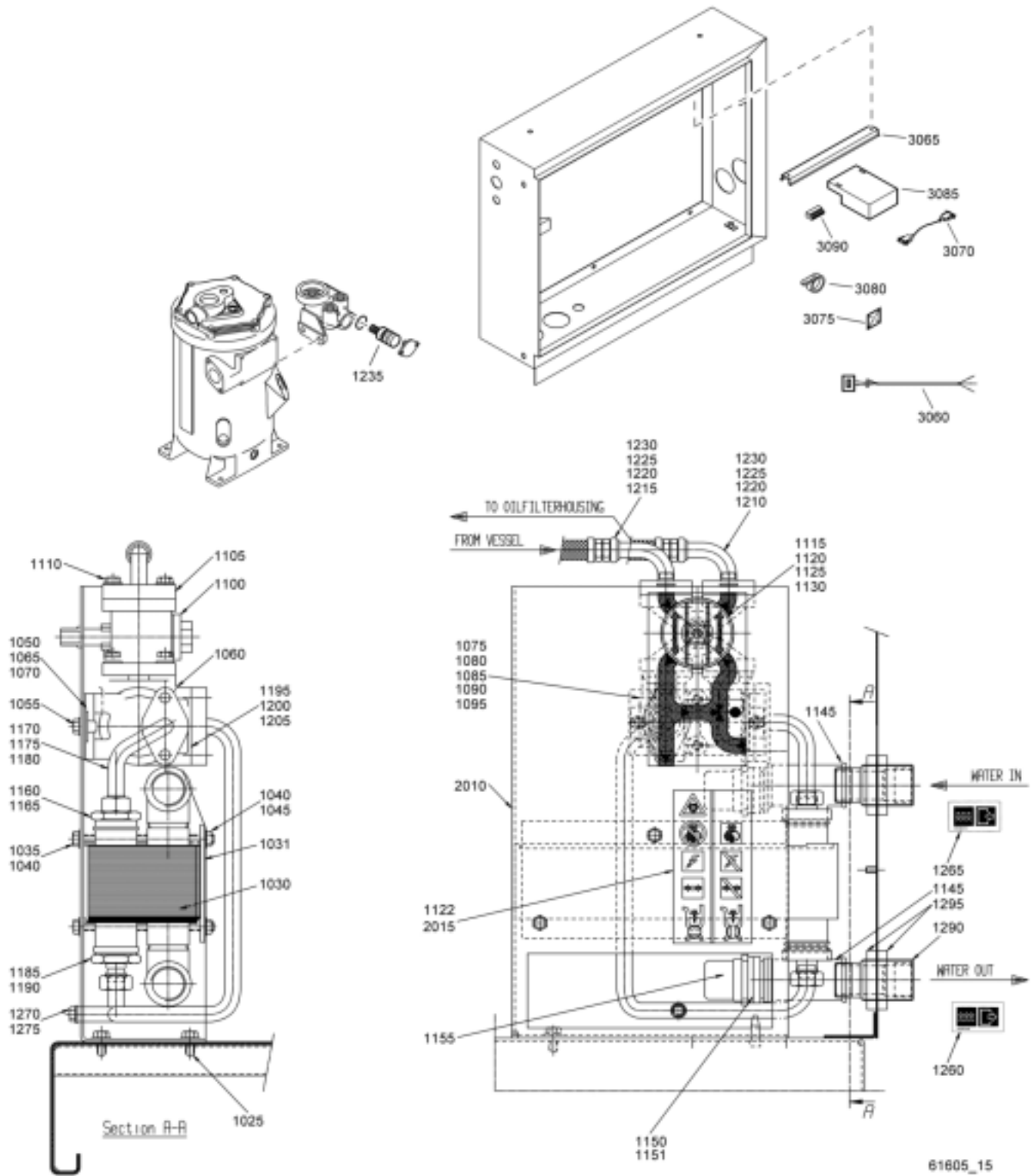
83322_12

Start cubicle - DOL - CSA/UL

Ref.	Partnumber	Qty	Name	Remarks
	1089 9436 42		GA 18+ 400-460V/60Hz	
	1089 9436 42		GA 18+ 575V/60Hz	
	1089 9436 42		GA 22+ 400-460V/60Hz	
	1089 9436 42		GA 22+ 575V/60Hz	
	1089 9436 43		GA 30 400-575V/60Hz HAV	
1 230		• 1	Phase seq relay	
	1089 9591 01		GA 11+ 200-230V/60Hz	
	1089 9461 03		GA 11+ 400-460V/60Hz	
	1089 9461 04		GA 11+ 575V/60Hz	
	1089 9591 01		GA 15+ 200V/60Hz	
	1089 9591 01		GA 15+ 200-230V/60Hz	
	1089 9461 03		GA 15+ 400-460V/60Hz	
	1089 9461 04		GA 15+ 575V/60Hz	
	1089 9461 03		GA 18+ 400-460V/60Hz	
	1089 9461 04		GA 18+ 575V/60Hz	
	1089 9461 03		GA 22+ 400-460V/60Hz	
	1089 9461 04		GA 22+ 575V/60Hz	
	1089 9461 04		GA 30 400-575V/60Hz HAV	
1 235	1613 3431 00	• 1	Label	
1 240	1614 8949 00	• 1	Data plate	
1 245	1622 0005 43	• 1	Wiring	
1 255	2901 1608 00	• 3	Connection element	
1 260	9139 5000 16	• AR	Rail	
1 265	9139 5000 16	• AR	Rail	
1 270	9820 3554 09	• 1	Service diagram	
1 275	1089 0577 36	• 3	Terminal	
1 280	1089 0577 37	• 1	Terminal cover	
1 285	1089 9556 15	• 1	Air inlet left	
1 290	1089 9556 05	• 1	Air inlet right	
		• 1	Assembly drawing	
	1622 0122 85		GA 11+ 200-230V/60Hz	
	1622 0122 85		GA 11+ 400-460V/60Hz	
	1622 0122 85		GA 11+ 575V/60Hz	
	1622 0122 85		GA 15+ 200V/60Hz	
	1622 0122 85		GA 15+ 200-230V/60Hz	
	1622 0122 85		GA 15+ 400-460V/60Hz	
	1622 0122 85		GA 15+ 575V/60Hz	
	1622 0122 85		GA 18+ 400-460V/60Hz	
	1622 0122 85		GA 18+ 575V/60Hz	
	1622 0122 85		GA 22+ 400-460V/60Hz	
	1622 0122 85		GA 22+ 575V/60Hz	
	1622 0548 85		GA 30 400-575V/60Hz HAV	
2010		•• 1	Cubicle	
	1622 0361 05		GA 11+ 200-230V/60Hz	
	1622 0361 05		GA 11+ 400-460V/60Hz	
	1622 0361 05		GA 11+ 575V/60Hz	
	1622 0361 05		GA 15+ 200V/60Hz	
	1622 0361 05		GA 15+ 200-230V/60Hz	
	1622 0361 05		GA 15+ 400-460V/60Hz	
	1622 0361 05		GA 15+ 575V/60Hz	
	1622 0361 05		GA 18+ 400-460V/60Hz	
	1622 0361 05		GA 18+ 575V/60Hz	
	1622 0361 05		GA 22+ 400-460V/60Hz	
	1622 0361 05		GA 22+ 575V/60Hz	
	1622 0548 05		GA 30C 400-575V/60Hz HAV	
2015	1202 6584 00	•• AR	Seal	
2025	0268 7110 00	•• 2	Nut	
2030	0300 0275 05	•• 2	Washer	
2035	0301 2335 00	•• 2	Washer	
2040	0333 2174 37	•• 2	Spring washer	



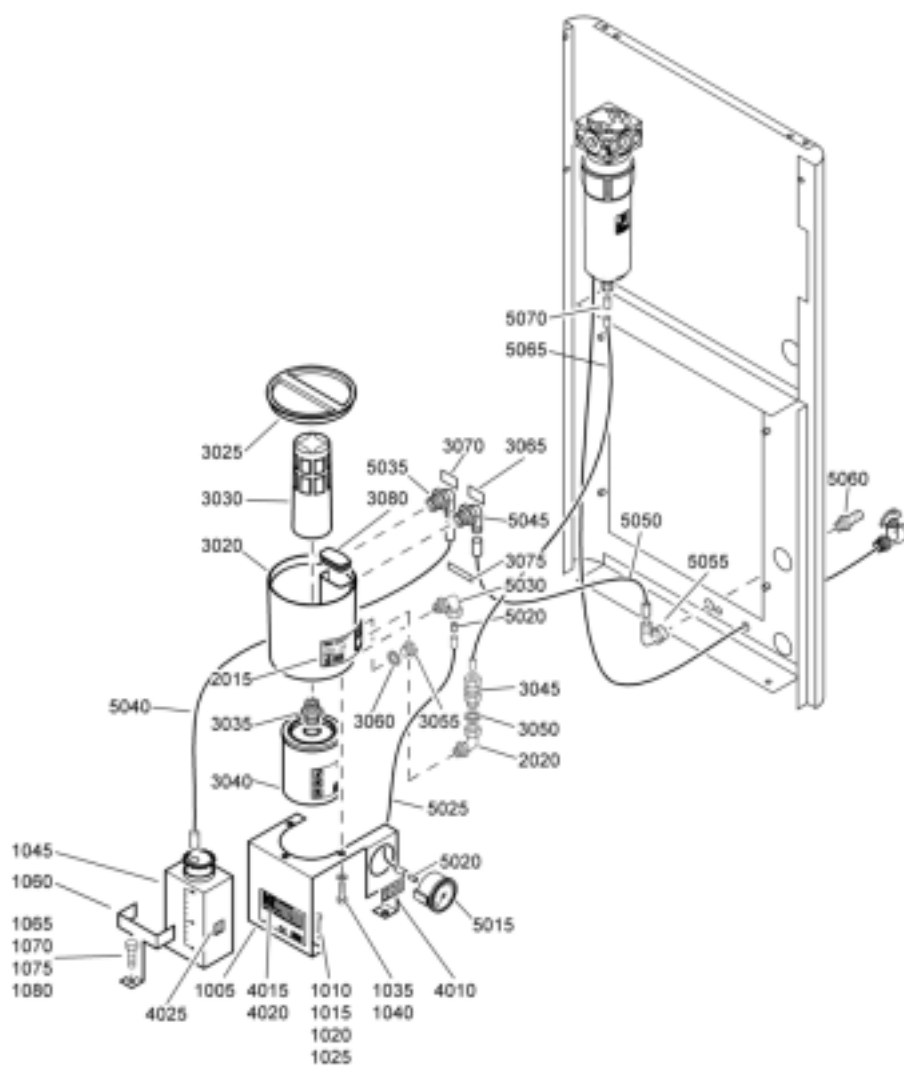
14



Energy recovery system

Ref.	Partnumber	Qty	Name	Remarks	Ref.	Partnumber	Qty	Name	Remarks
1025	0226 0301 00	2	Tapping screw		1160	0571 0035 11	1	Hose connection	
1030	1613 7805 00	1	Heat exchanger		1165	0661 1000 44	1	Seal washer	
1031	1613 7799 00	1	Plate		1170	1622 0089 00	1	Pipe	
1035	0147 1344 03	3	Hexagon bolt		1175	0663 3129 00	1	O-ring	
1040	0301 2335 00	6	Washer		1180	0147 1325 03	2	Hexagon bolt	
1045	0266 2110 00	3	Nut		1185	0571 0035 11	1	Hose connection	
1050	1613 7061 00	1	Bracket		1190	0661 1000 44	1	Seal washer	
1055	1619 2766 00	2	Bolt		1195	1622 0090 01	1	Pipe	
1060	1202 7521 00	1	Therm.housing		1200	0663 3129 00	1	O-ring	
1065	0147 1321 03	2	Hexagon bolt		1205	0147 1325 03	2	Hexagon bolt	
1070	0301 2335 00	2	Washer		1210	1622 0093 00	1	Hose assembly	
1075	1614 6118 00	1	Flange		1215	1622 0092 00	1	Hose assembly	
1080	0663 2101 95	1	O-ring		1220	0663 3129 00	2	O-ring	
1085	0147 1246 03	2	Hexagon bolt		1225	0147 1327 03	4	Hexagon bolt	
1090	0301 2321 00	2	Washer		1230	0266 2110 00	4	Nut	
1095		1	Thermostat		1235		1	Thermostat	
	1622 7064 01		7.5 bar(e)			1622 7064 04		60°C	
	1622 7064 01		8.5 bar(e)			1619 7493 00		75°C	
	1622 7064 01		10 bar(e)		1260	1079 9913 69	1	Inform.label	
	1622 7064 04		13 bar(e)		1265	1079 9913 79	1	Inform.label	
	1622 7064 01		100 psig		1270	0686 4201 00	1	Hexagon plug	
	1622 7064 01		125 psig		1275	0653 1046 00	1	Flat gasket	
	1622 7064 01		150 psig		1290	1622 0094 00	2	Pipe	
	1622 7064 04		175 psig		1295	0295 3109 00	4	Nut	
1100	1202 7522 00	1	4-way valve		1622 0088 81	1	Support ass'y		
1105	0663 2102 64	2	O-ring		•	1	Support		
1110	0147 1325 03	4	Hexagon bolt		2010	•	1	Warning label	
1115	1202 7689 00	1	Handle		2015	1079 9902 89	•	1	Label
1120	1202 7683 00	2	Label		2020	1202 7682 00	•	1	Cable
1122	1079 9902 89	1	Warning label		3060	1622 0663 03	2	Cable	
1125	0147 1321 03	1	Hexagon bolt		3065	1622 0665 05	1	DIN-rail	
1130	0301 2335 00	1	Washer		3070	1622 0661 01	1	Cable	
1145	0564 0000 64	2	Tee		3075	1088 1305 01	3	Push mount	
1150	0605 8700 51	2	Bushing		3080	1088 1301 01	4	Cable strip	
1151	0661 1000 44	2	Seal washer		3085	1900 0710 41	1	AIE 1 elektronikon	
1155	1089 0574 49	2	Temp.sensor		3090	1088 0031 04	1	Connector	

15



61806_06



Drain system - Oil Separator condensate Drain

15

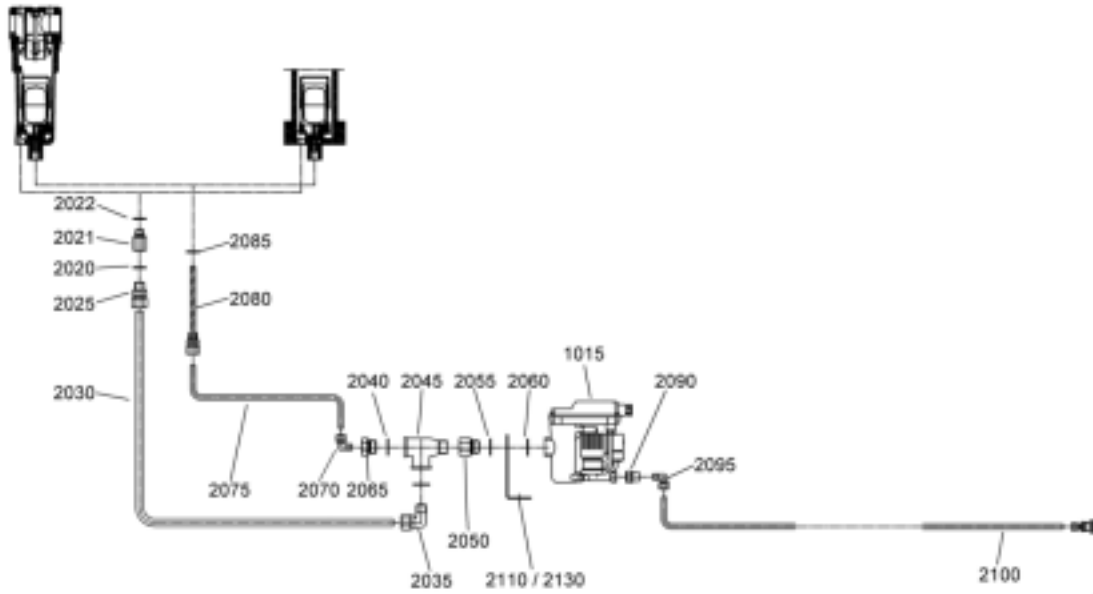
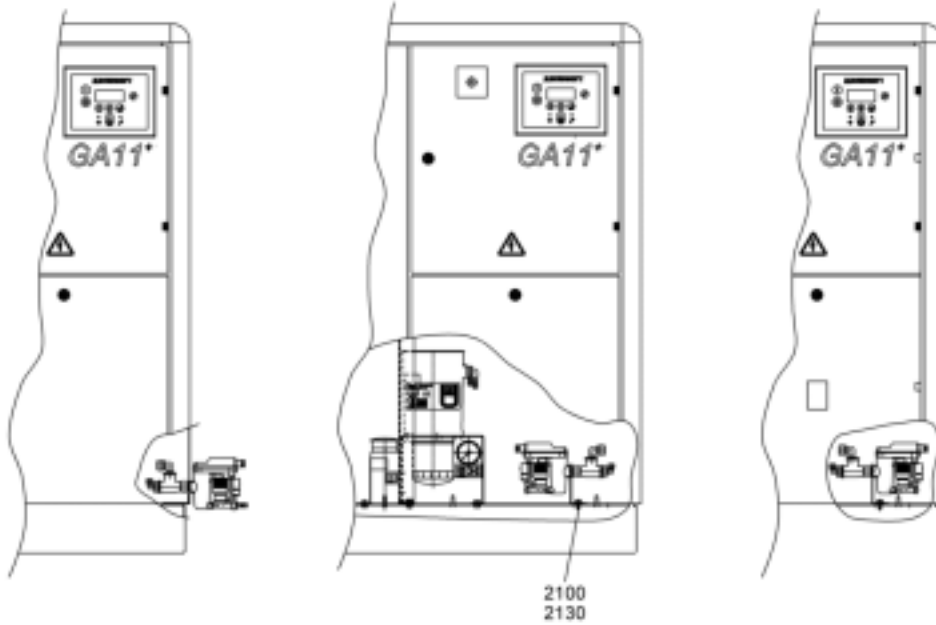
Ref.	Partnumber	Qty	Name	Remarks	Ref.	Partnumber	Qty	Name	Remarks
	8092 2449 64	1	Oil Separator condensate Drain		3045	1613 7378 00	••• 1	Strainer	
1005	1622 0087 00	• 1	Support		3050	0653 0500 47	••• 1	Gasket	
1010	0301 2335 00	• 1	Washer		3055	0686 3716 02	••• 1	Hexagon plug	
1015	0333 3227 00	• 1	Lock washer		3060	0653 9098 00	••• 1	Flat gasket	
1020	0266 2110 00	• 1	Nut		3065	1079 9913 69	••• 1	Inform.label	
1025	0147 1323 03	• 1	Hexagon bolt		3070	1079 9912 28	••• 1	Decal	
1035	0147 1322 03	• 3	Hexagon bolt		3075	1079 9912 07	••• 1	Decal	
1040	0301 2335 00	• 3	Washer		3080	1613 7945 00	••• 1	Plug	
1045	1613 7657 00	• 1	Oil can		4010	1079 9912 11	• 1	Decal	
1060	1622 0091 00	• 1	Support		4015	1613 7384 00	• 1	Data plate	
1065	0301 2335 00	• 1	Washer		4020	0129 3104 00	• 4	Blind rivet	
1070	0333 3227 00	• 1	Lock washer		4025	1079 9912 38	• 1	Decal	
1075	0266 2110 00	• 1	Nut		5015	1615 7264 00	• 1	Pressure gauge	
1080	0147 1323 03	• 1	Hexagon bolt		5020	0584 9904 00	• 2	Sleeve	
	1613 7603 82	• 1	OSD assembly		5025	0070 6002 04	• AR	Plastic tube	
2015	1079 9909 06	•• 1	Label		5030	0581 2024 38	• 1	Elbow coupling	
2020	0560 4400 83	•• 1	Pipe fitting		5035	1613 7985 80	• 1	Elbow coupling	
	1613 7603 80	•• 1	OSD sub assembly		5040	0070 6002 14	• AR	Plastic tube	
3020	1613 7603 00	••• 1	Housing		5045	1613 7985 80	• 1	Elbow coupling	
3025	1613 7604 00	••• 1	Plug		5050	0070 6002 14	• AR	Plastic tube	
3030	1613 7299 00	••• 1	Filter		5055	1613 7342 00	• 1	Elbow coupling	
3035	1613 7601 00	••• 1	Check valve		5060	1613 7341 00	• 1	Pipe coupling	
3040	1613 7602 00	••• 1	Oil separator		5065	0070 6002 05	• AR	Plastic tube	
					5070	0584 0080 10	• 1	Cutting ring	

16 Drain system - Electronic Water Drain

OSD + Transfo / Energy recovery

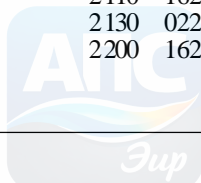
OSD

Others

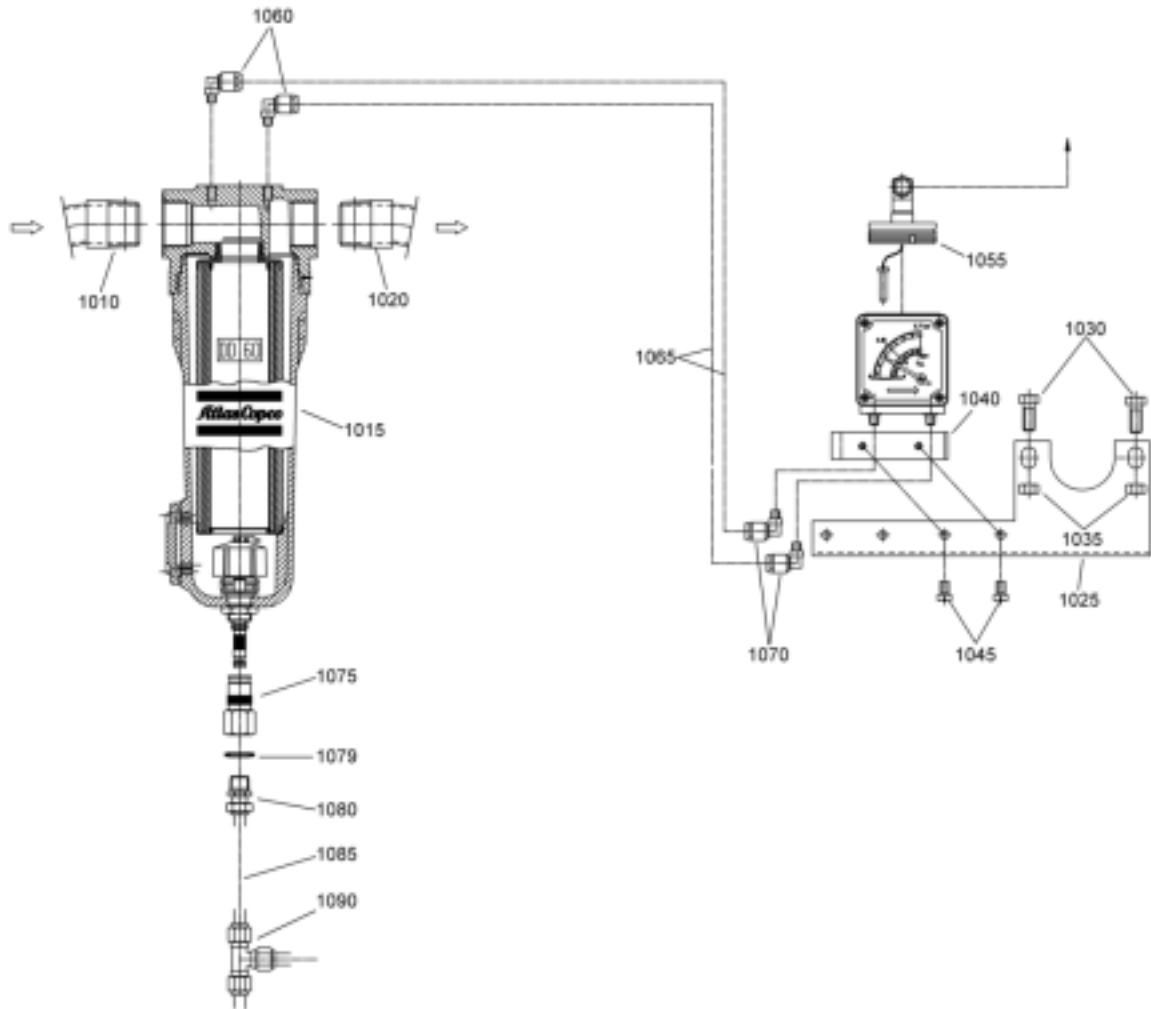


63323_06

Ref.	Partnumber	Qty	Name	Remarks	Ref.	Partnumber	Qty	Name	Remarks
	8092 2827 09	1	Electronic Water Drain		2055	0653 1124 00	• 1	Flat gasket	
			110V/50-60Hz		2060	0653 1124 00	• 1	Flat gasket	
1015		• 1	EWD 75		2065	0605 8814 06	• 1	Bushing	
	1613 8800 04	• 1	110V/50-60Hz		2070	0581 1200 23	• 1	Elbow coupling	
2020	0661 1000 38	• 1	Seal washer		2075	0070 6002 05	• AR	Plastic tube	
2021	1622 0359 00	• 1	Straight pipe coupling		2080	1613 8084 00	• 1	Pipe coupling	
2022	0653 1062 00	• 1	Flat gasket		2085	0661 1000 38	• 1	Seal washer	
2025	0581 0000 45	• 1	Pipe coupling		2090	0607 1151 06	• 1	Reducing socket	
2030	0070 6002 06	• AR	Plastic tube		2095	0581 1200 26	• 1	Elbow coupling	
2035	0581 1200 29	• 1	Elbow		2100	0070 6002 05	• AR	Plastic tube	
2040	0653 1124 00	• 1	Flat gasket		2110	1622 0097 00	• 1	Bracket	
2045	1503 2566 13	• 1	Tee		2130	0226 0301 00	• 2	Tapping screw	
2050	1613 9029 00	• 1	Nipple		2200	1622 0629 01	• 1	Wiring	

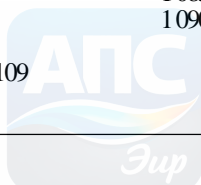


DD filter kit



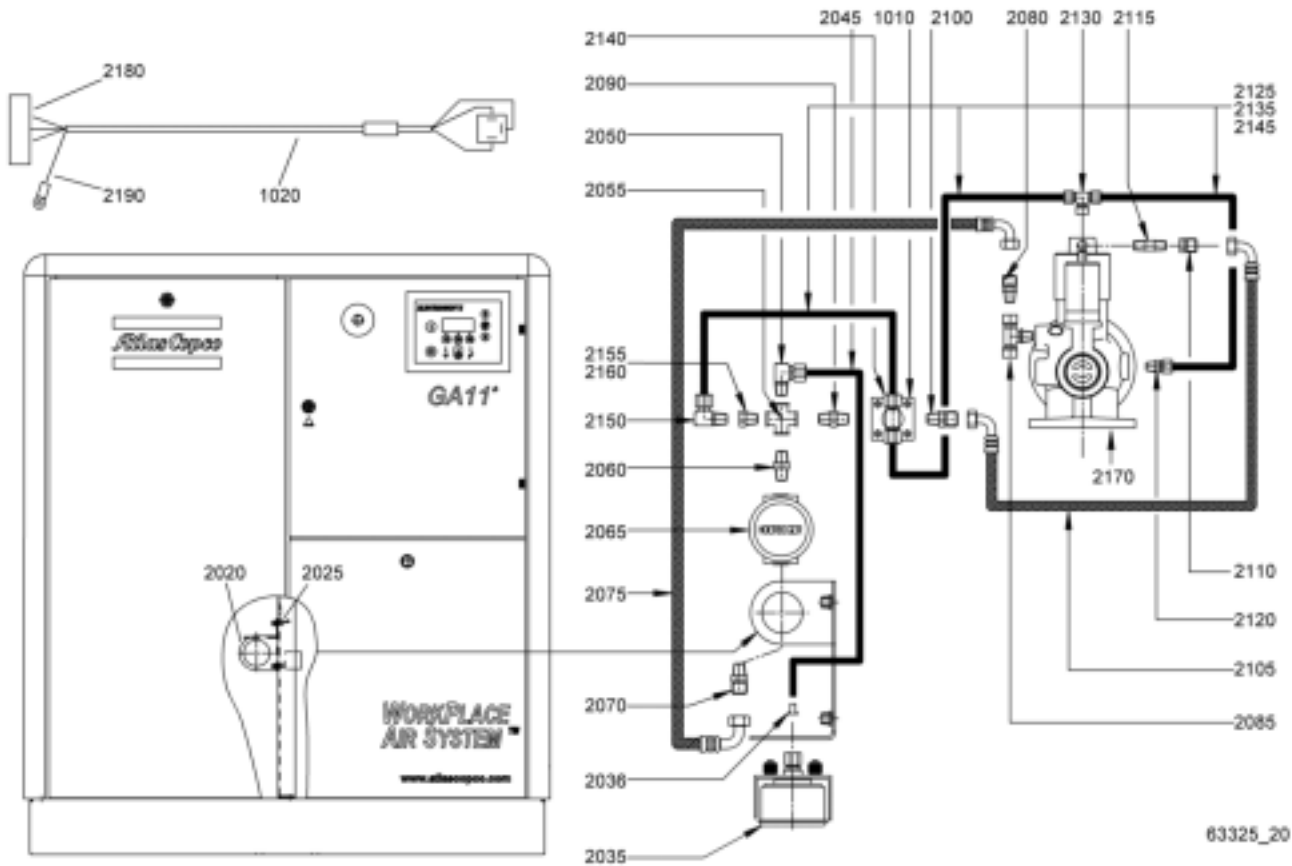
81607_03

Ref.	Partnumber	Qty	Name	Remarks	Ref.	Partnumber	Qty	Name	Remarks
1010	1622 0140 00	1	Pipe		1060	0583 8120 62	2	Push-in coupling	
1015	1617 7197 00	1	Filter DD 60		1065	0070 6002 20	AR	Plastic tube	
1020	1622 0081 00	1	Pipe		1070	0583 8120 10	2	Elbow coupling	
1025	1622 0096 00	1	Bracket		1075	1617 7082 02	1	Quick coupling	
1030	0147 1323 03	2	Hexagon bolt		1079	0661 1000 38	1	Seal washer	
1035	0266 2110 00	2	Nut		1080	0581 0000 35	1	Coupling	
1040	1617 7098 00	1	Support		1085	0070 6002 05	AR	Plastic tube	
1045	0160 6060 00	2	Screw		1090	0581 2000 18	1	Coupling	
1055	1622 0098 80	2	Wire assembly						
	1088 0031 54	• 1	Connector	X109					



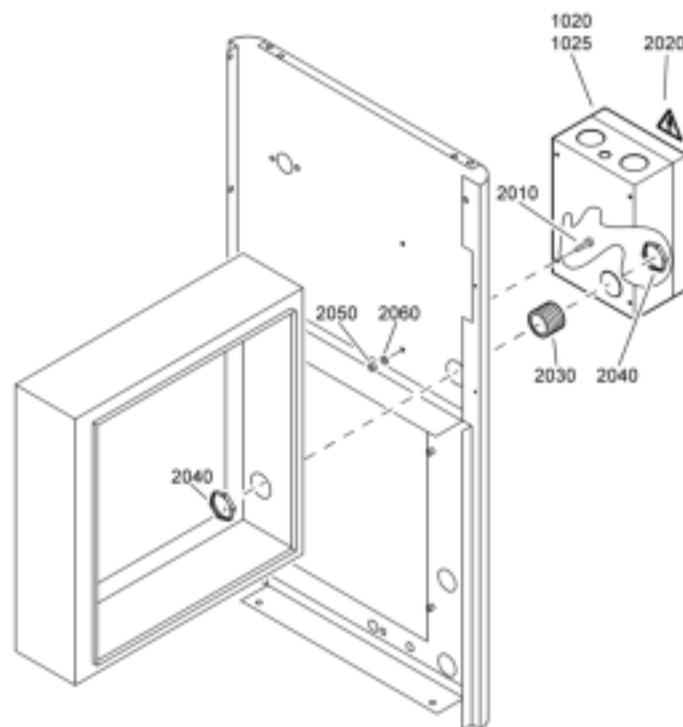
18

Modulating control



Ref.	Partnumber	Qty	Name	Remarks	Ref.	Partnumber	Qty	Name	Remarks
1010	1089 0621 09	1	Solenoid valve		2090	1503 2564 01	1	Nipple	
	1089 0621 02		110V/50Hz		2100	1079 5840 25	1	Hexagon nipple	
	1089 0621 02		115V/60Hz		2105	0575 0401 18	1	Hose assembly	
1020	1622 1295 03	1	Cable		2110	1079 5840 09	1	Hexagon nipple	
2020	1622 0095 00	1	Bracket		2115	0551 0001 62	1	Threaded pipe	
2025	0147 1963 08	2	Hexagon bolt		2120	0581 0000 78	1	Pipe coupling	
2035	1615 7264 00	1	Pressure gauge		2125	0070 6002 05	AR	Plastic tube	
2036	0584 9904 00	1	Sleeve		2130	0581 2000 27	1	Pipe coupling	
2045	0070 6002 04	AR	Plastic tube		2135	0070 6002 05	AR	Plastic tube	
2050	0581 1200 16	1	Coupling(elbow)		2140	0581 2000 27	1	Pipe coupling	
2055	0560 4400 85	1	Cross		2145	0070 6002 05	AR	Plastic tube	
2060	1503 2564 10	1	Nipple		2150	0581 1200 26	1	Elbow coupling	
2065	1613 6961 00	1	Regulator		2155	1613 6968 04	1	Nozzle	
2070	1079 5840 26	1	Hexagon nipple		2160	1613 6968 03	1	Nozzle	
2075	0575 0792 25	1	Hose assembly		2170	<<< >>>	1	Unloading valve	
2080	1079 5840 26	1	Hexagon nipple		2180	1088 0031 53	1	Connector	X104
2085	1503 2566 21	1	Tee		2190	0694 5285 13	1	Cable lug	

Main switch

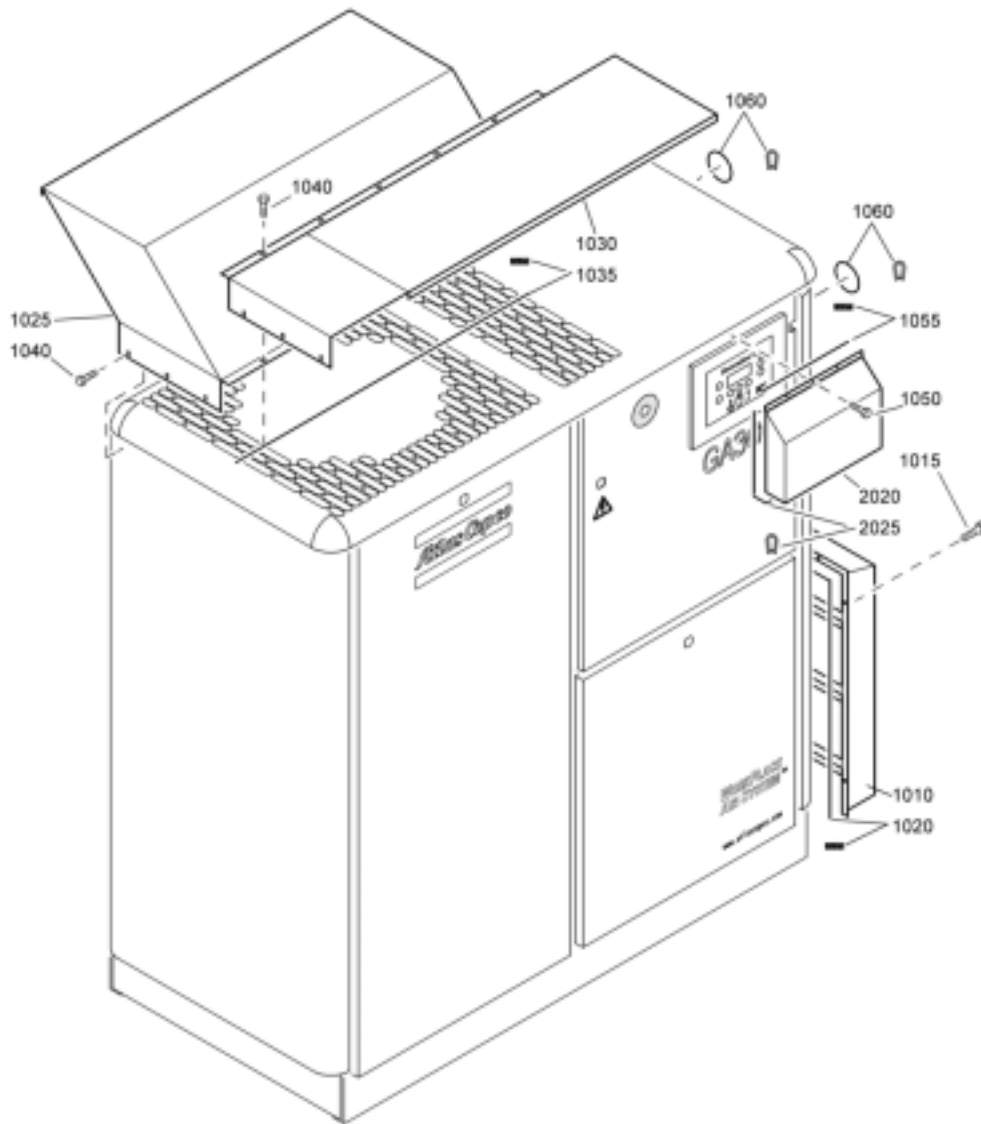


61598_12

Ref.	Partnumber	Qty	Name	Remarks	Ref.	Partnumber	Qty	Name	Remarks
	8092 2827 25	1	Main switch		2030	1622 0068 01	• 1	Threaded nipple	
1020	1622 1778 03	• 1	Disconnecting switch		2040	0697 9809 05	• 2	Lock nut	
2010	0160 6089 00	• 4	Screw		2050	0266 2108 00	• 4	Nut	
2020	1088 1001 03	• 1	Warning mark		2060	0301 2321 00	• 4	Washer	

20

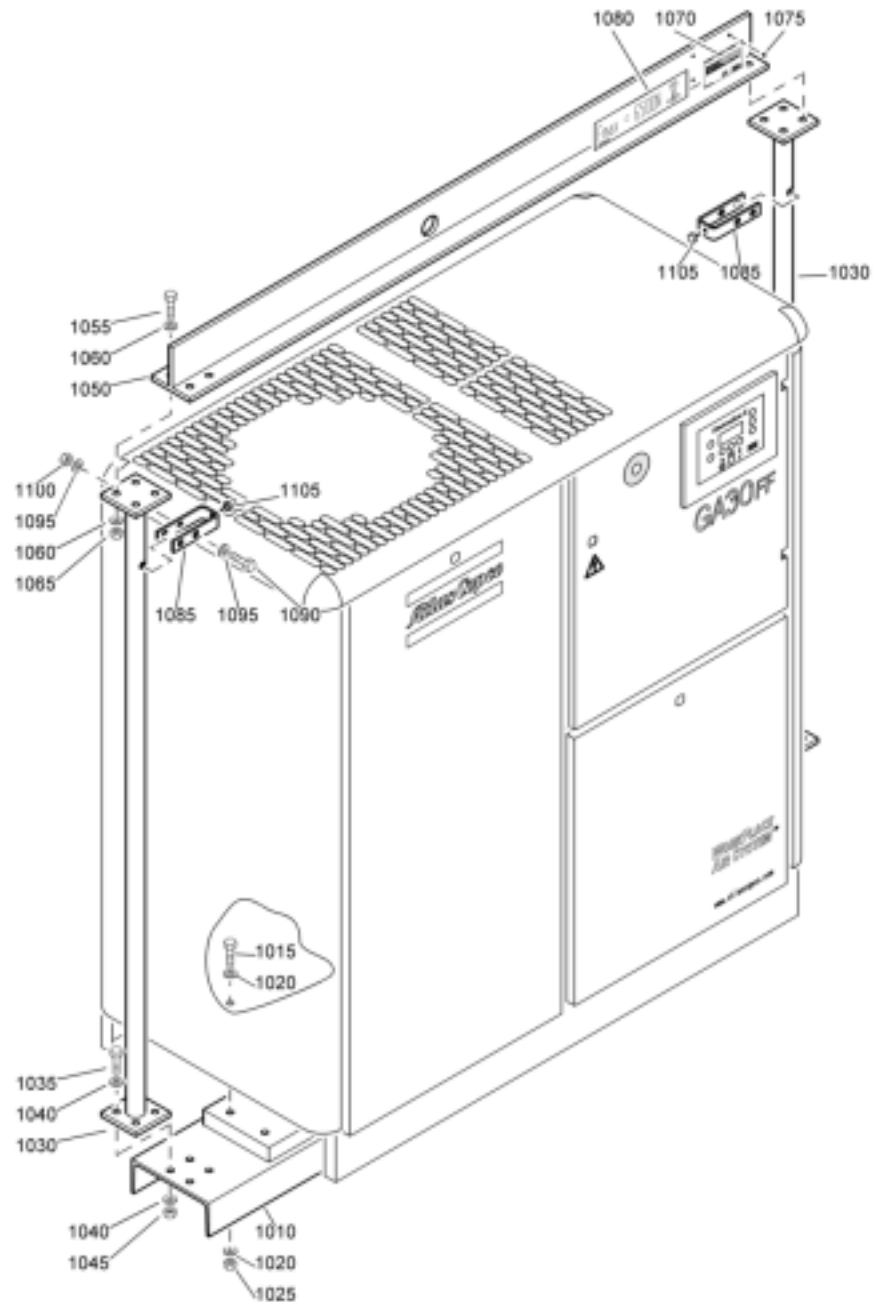
Rain protection



63324_10

Ref.	Partnumber	Qty	Name	Remarks	Ref.	Partnumber	Qty	Name	Remarks
	8092 2465 14	1	Rain protection		1040	0226 3343 07	• 17	Tapping screw	
1010	1622 0147 00	• 1	Rain cowl		1050	0226 3256 00	• 3	Tapping screw	
1015	0226 3343 07	• 6	Tapping screw		1055	1619 3843 00	• AR	Seal	
1020	1619 5188 00	• AR	Seal		1060	1503 1056 00	• AR	Seal	
1025	1622 0148 00	• 1	Baffle			1613 7954 80	• 1	Baffle ass'y	
1030	1622 0149 00	• 1	Baffle		2020		•• 1	Baffle	
1035	1619 3843 00	• AR	Seal		2025	1503 1056 00	•• AR	Seal	

Lifting device



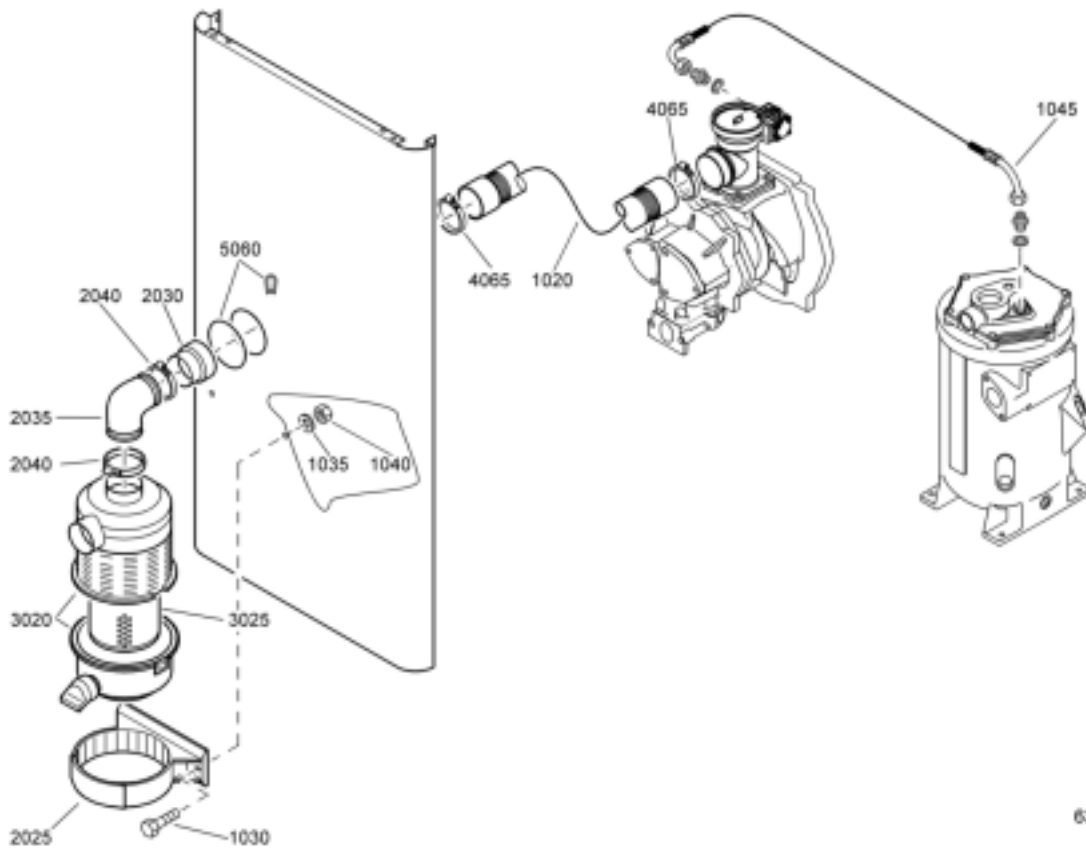
63326_10

Ref.	Partnumber	Qty	Name	Remarks	Ref.	Partnumber	Qty	Name	Remarks
1010	1622 0150 00	1	Beam		1060	0301 2344 00	16	Washer	
1015	0147 1369 03	6	Hexagon bolt		1065	0291 1111 00	8	Lock nut	
1020	0301 2344 00	12	Washer		1070	1613 7394 03	1	Data plate	
1025	0291 1111 00	6	Lock nut		1075	0244 4184 00	4	Drive screw	
1030	1622 0145 00	2	Support		1080	1079 9920 96	1	Label	
1035	0147 1365 03	8	Hexagon bolt		1085	1622 0151 00	2	Bracket	
1040	0301 2344 00	16	Washer		1090	0147 1369 03	2	Hexagon bolt	
1045	0291 1111 00	8	Lock nut		1095	0301 2344 00	4	Washer	
1050	1622 0146 00	1	Beam		1100	0291 1111 00	2	Lock nut	
1055	0147 1365 03	8	Hexagon bolt		1105	1619 0269 00	2	Rubber bumper	



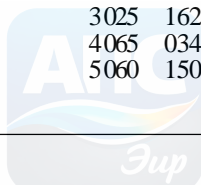
22

Heavy duty filter



63327_02

Ref.	Partnumber	Qty	Name	Remarks	Ref.	Partnumber	Qty	Name	Remarks
	8092 2455 32	1	Heavy duty filter		2030	1622 0173 00	•• 1	Adapter	
1020	1622 0175 00	• 1	Hose ass'y		2035	1622 0174 00	•• 1	Elbow	
1030	0147 1327 03	• 2	Hexagon bolt		2040	0347 6114 00	•• 2	Hose clip	
1035	0301 2335 00	• 2	Washer			1622 0170 80	•• 1	Air filter ass'y	
1040	0266 2110 00	• 2	Nut		3020	1622 0170 00	••• 1	Air filter	
1045	0574 9911 12	• 1	Hose assembly		3025	1622 0171 00	••• 1	Filter element	
	1622 0170 81	• 1	Air filter ass'y		4065	0347 6114 00	2	Hose clip	
2025	1622 0172 00	•• 1	Clamp		5060	1503 1056 00	AR	Seal	



Service kits

Ref.	Partnumber	Qty	Name	Remarks	Ref.	Partnumber	Qty	Name	Remarks
	2901 0002 01	1	Unloading valve kit			2901 0779 00	1	Oil separator kit	Serial number < AII 272 365 With bolted Minimum Pressure valve
	0291 1110 00	• 1	Lock nut			0663 2111 23	• 1	O-ring	
	0335 2136 00	• 1	Circlip			0663 2111 24	• 1	O-ring	
	0335 2140 00	• 1	Circlip			1622 0079 00	• 1	Oil separator element	
	0653 1033 00	• 1	Flat gasket						
	0663 2101 85	• 1	O-ring						
	0663 2104 83	• 2	O-ring						
	0663 2105 46	• 1	O-ring						
	0663 7132 00	• 1	O-ring						
	0663 7142 00	• 1	O-ring						
	1202 6999 00	• 1	Gasket						
	1513 0011 00	• 1	Spring						
	1613 6783 00	• 1	Piston						
	1613 6802 00	• 1	Spring						
	1613 6969 00	• 2	Piston ring						
	1613 7310 00	• 1	Plate						
	1613 7699 01	• 1	Valve						
		1	Integr. Minimum Pressure Valve kit			2901 0779 01			Serial number > AII 272 365 With screwed Minimum Pressure valve
	2901 0006 00		Serial number < AII 272 365			0663 2111 23	• 1	O-ring	
	0333 3237 00	• 2	Lock washer			0663 2111 24	• 1	O-ring	
	0335 3111 00	• 1	Retaining ring			1622 0516 00	• 1	Oil sep element	
	0663 3133 00	• 1	O-ring						
	0663 3135 00	• 1	O-ring						
	0663 7136 00	• 1	O-ring						
	0663 9868 00	• 1	O-ring						
	1612 4048 00	• 1	Compr. Spring						
	1612 4049 00	• 1	Compr. Spring						
	1613 3223 01	• 1	Washer						
	1614 4662 00	• 2	Piston ring						
		1	Minimum Pressure Valve kit			2901 0850 00	1	Element mounting kit	
	2901 0997 00		Serial number > AII 272 365			0661 1000 38	• 1	Seal washer	
	0661 1000 46	• 1	Seal washer			0661 1000 39	• 1	Seal washer	
	0663 2101 30	• 1	O-ring 26.7 x 1			0663 2103 22	• 1	O-ring	
	1622 0525 00	• 1	Spring			0663 2107 78	• 3	O-ring	
	1622 0523 01	• 1	Valve disk			0663 7134 00	• 3	O-ring	
	1622 0522 01	• 1	Piston			0663 7142 00	• 1	O-ring	
	2901 0245 01	1	Oil can			2901 0068 00	1	Thermostatic valve kit 40°	
			ROTO-INJECTFLUID 51			1622 7064 01	• 1	Thermostatic valve	
	2901 0522 00	1	Oil can			0663 2101 95	• 1	O-ring	
			ROTO-INJECTFLUID 201			2901 0414 00	1	Thermostatic valve kit 60°C	
	2901 0695 00	1	Filter kit			1622 7064 04	• 1	Thermostatic valve	
	0661 1000 39	• 1	Seal washer			0663 2101 95	• 1	O-ring	
	0663 2102 15	• 1	O-ring			2901 0716 00	1	Motor bearing kit	11 kW, 22 kW
	1613 6105 00	• 1	Oil filter			0502 1091 78	• 1	Bearing (d end)	
	1613 8720 00	• 1	Filter element			0502 1091 79	• 1	Bearing (n end)	
	2901 0712 00	1	Service kit WSD			2901 0719 00	• 1	Motor sealing kit	
	0663 2109 81	• 1	O-ring			2901 0338 02	• 8	Grease tube motor	
	0663 2111 28	• 1	O-ring			2901 1414 00	1	Motor bearing kit	30 kW
	0663 3133 00	• 3	O-ring						
	1613 9227 80	• 1	Drain assembly			2901 0088 00	1	Maintenance kit	Serial number < AII 272 365
	2901 0748 00	1	Kit WSD 25, WSD 40			2901 0002 01	• 1	Unloading valve kit	
	0291 1108 00	• 1	Lock nut			2901 0006 00	• 1	Integr. mpv.kit	
	0663 9289 00	• 1	O-ring			2901 0695 00	• 1	Filter kit GA 11	
	1613 9225 00	• 1	Clamp			2901 0712 00	• 1	Service kit WSD	
	1613 9226 00	• 1	Ring			2901 0779 00	• 1	Oil sep. kit GA	
						2901 0998 00	1	Maintenance kit	Serial number > AII 272 365
						2901 0002 01	• 1	Unl.valv.k.GA 11	
						2901 0695 00	• 1	Filter kit GA 11	
						2901 0779 01	• 1	Oil sep. kit GA	
						2901 0997 00	• 1	Mpv kit	
						2901 0712 00	• 1	Service kit WSD	
						2901 5005 00	1	Shaft bearing kit	
						0663 2103 22	• 1	O-ring	
						1616 5742 00	• 1	Seal washer	
						1622 0009 00	• 1	Bushing	





+7(916) 033-41-41



apsair@apsair.ru

apsair.ru