

## **Atlas Copco** Stationary Air Compressors

GA 11, GA 15, GA 18, GA 22, GA 30C

Elektronikon® I regulator - Pack / Pack Full-feature

Elektronikon® II regulator - WorkPlace / WorkPlace Full-feature

### **Parts list**

From following serial No. onwards :  
AII - 268 500

**No. 2930 1340 03**

**Registration code :** APC G11-30C / 39

Replaces 2930 1340 02

2006-04



<https://apsair.ru>

**Atlas Copco**

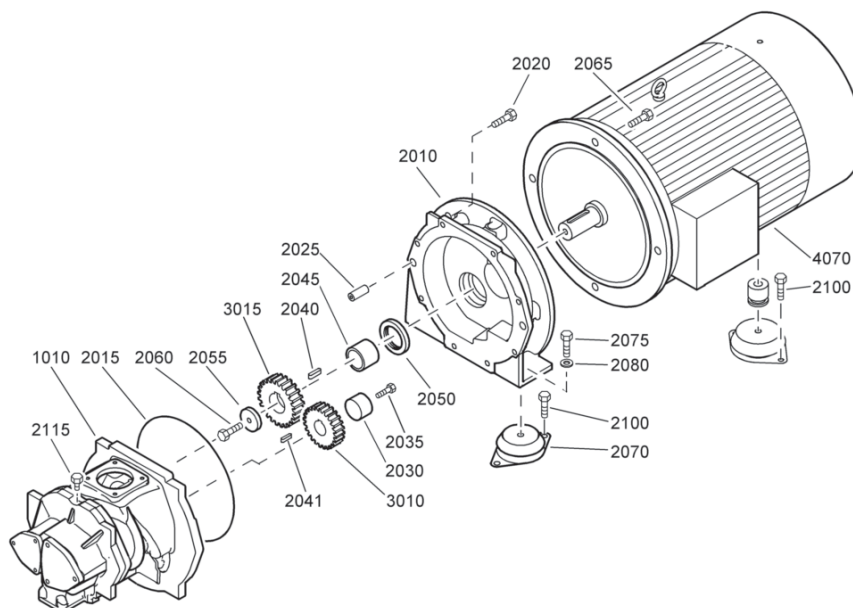
Contents  
Inhoud  
Innehåll  
Inhaltsverzeichnis  
Table des matières  
Indice

Indice  
Innholdsfortegnelse  
Indice  
Indholdsfortegnelse  
Sisällysluettelo

Drive arrangement Aandrijfuitvoering Drivarrangemang Antriebsanordnung Dispositif d'entraînement Disposición de accionamiento Disposizione di azionamento Arrangement Disposição de accionamento Drivarrangement Rakenne ..... 1	Sistema de regulación Sistema di regolazione Reguleringssystem Sistema de regulação Reguleringssystem Säätöjärjestelmä - Pack ..... 8 - WorkPlace ..... 9
Air flow Luchtstroming Lufftlöde Luftstrom Flux d'air Flujo de aire Flusso d'aria Luftflow Fluxo de ar Luftstrøm Ilman virtaus ..... 2	Air outlet Luchtuitlaat Luftutlopp Luftauslaß Sortie d'air Salida de aire Mandata dell'aria Luftafgang Saida de ar Luftutløp Paineilmaputki - Pack ..... 10 - WorkPlace ..... 11 - Pack FF / WorkPlace FF ..... 12
Oil system Oliesysteem Oljesystem Ölssystem Système d'huile Sistema de aceite Sistema dell'olio Oliesystem Sistema de óleo Oljesystem Voitelujärjestelmä ..... 3	Air dryer Luchtdroger Lufttorkare Lufttrockner Sécheur d'air Secador de aire Essiccatore d'aria Lufttørrer Secador de ar Lufttørker Kuivain - GA - 1) ..... 13 - GA - 2) ..... 14
Air receiver Luchtketel Luftbehållare Luftbehälter Réservoir d'air Depósito de aire Serbatoio dell'aria Luftbeholder Reservatório de ar Luftbeholder Ilmasäiliö - With bolted Minimum Pressure Valve ..... 4 - With screwed Minimum Pressure Valve ..... 5	By-pass dryer Omloopleiding Förbildningskanal Umgehungsleitung Tuyaux de by-pass Tubería de derivación By-pass By-pass Tubagem de derivação Omløpsrør Ohitus - Pack FF / WorkPlace FF ..... 15
Unloading valve Ontlastventiel Avlastningsventil Entlastungsventil Soupape de décharge Válvula de descarga Valvola di messa a vuoto Aflastningsventil Válvula de descarga Avlastningsventil Kevennysventtiili - 3) ..... 6 - 4) ..... 7	Bodywork Carrosserie Karosseri Karosserie Capotage Carroceria Cappottatura Karosseri Carroceria Kabinett Kotelo - GA - 1) ..... 16 - GA - 2) ..... 17
Regulating system Regelsysteem Reglersystem Regelsystem Système de régulation	



1



61602\_01

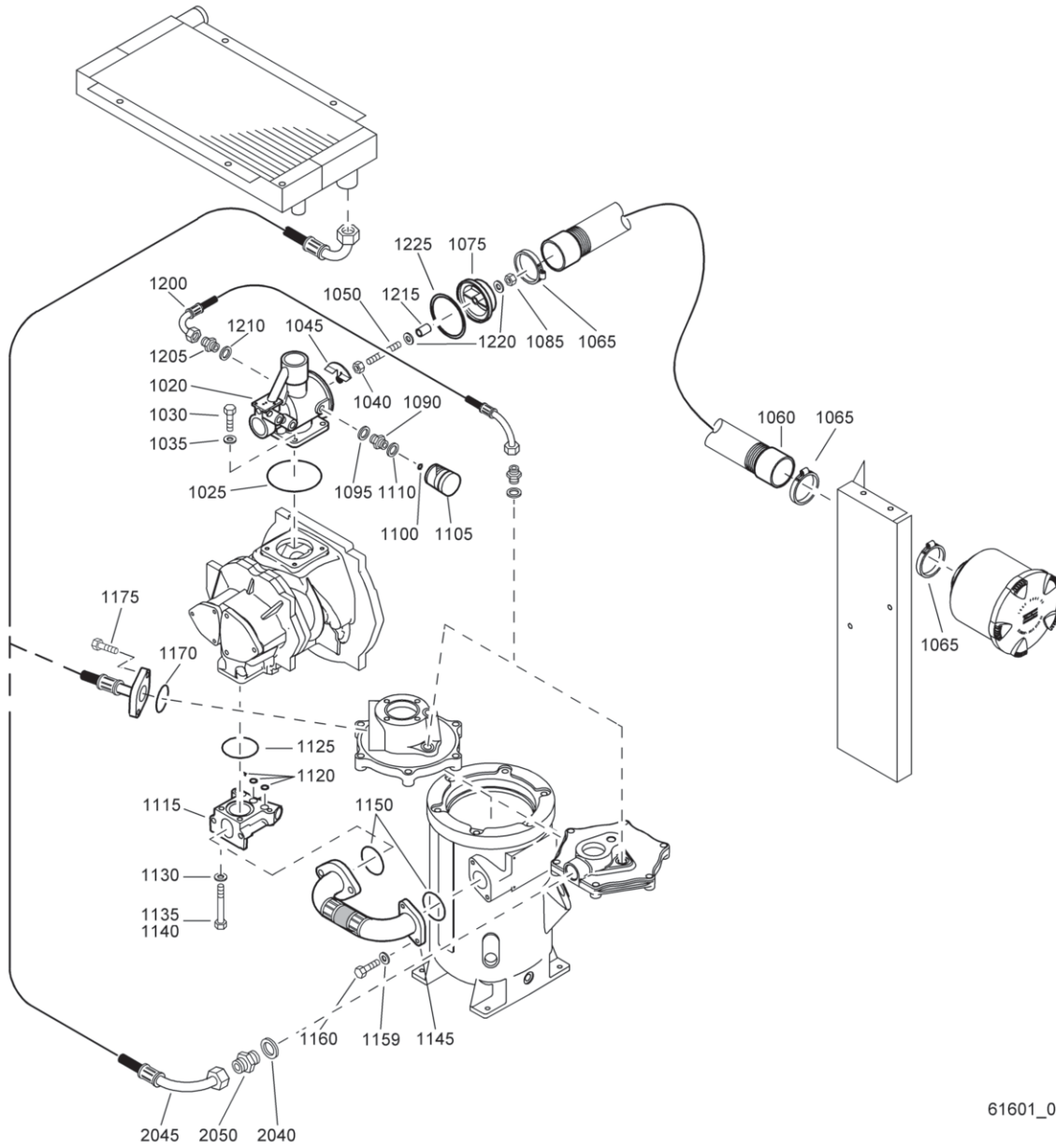
Ref.	Part number	Qty	Name	Remarks	Ref.	Part number	Qty	Name	Remarks
1010	1616 6712 90	1	Service stage		1622 0019 00			GA 15 13 bar(e)	
2010	1622 0007 00	1	Gear casing		1622 0051 00			GA 15 13 bar(e) HAV	
2015	0663 2103 22	1	O-ring		1622 0053 00			GA 15 100 psig	
2020	0147 1364 03	8	Hexagon bolt		1622 0065 00			GA 15 100 psig HAV	
2025	0101 1951 40	2	Pin		1622 0065 00			GA 15 125 psig	
2030	1622 0138 00	1	Spacer		1622 0019 00			GA 15 125 psig HAV	
2035	0147 1368 03	1	Hexagon bolt		1622 0051 00			GA 15 150 psig	
2040	0337 0009 42	1	Parallel key		1622 0029 00			GA 15 150 psig HAV	
2041	0337 0009 45	1	Parallel key		1622 0029 00			GA 15 175 psig	
2045	1622 0009 00	1	Bushing		1622 0049 00			GA 15 175 psig HAV	
2050	1616 5742 00	1	Seal ring		1622 0023 00			GA 18 7.5 bar(e)	
2055	1622 0010 00	1	Washer		1622 0045 00			GA 18 7.5 bar(e) HAV	
2060	0147 1478 03	1	Hexagon bolt		1622 0045 00			GA 18 8.5 bar(e)	
2065	0147 1475 03	4	Hexagon bolt		1622 0021 00			GA 18 10 bar(e)	
2070	1613 6752 01	2	Antivibr.pad		1622 0057 00			GA 18 10 bar(e) HAV	
2075	0147 1363 03	2	Hexagon bolt		1622 0055 00			GA 18 13 bar(e)	
2080	0301 2344 00	2	Washer		1622 0043 00			GA 18 13 bar(e) HAV	
2100	1619 2766 00	6	Bolt		1622 0057 00			GA 18 100 psig	
2115	1619 6032 00	2	Nipple		1622 0055 00			GA 18 100 psig HAV	
3010		1	Gear wheel		1622 0055 00			GA 18 125 psig	
	1622 0019 00		GA 11 7.5 bar(e)		1622 0043 00			GA 18 125 psig HAV	
	1622 0051 00		GA 11 7.5 bar(e) HAV		1622 0043 00			GA 18 150 psig	
	1622 0051 00		GA 11 8.5 bar(e)		1622 0053 00			GA 18 150 psig HAV	
	1622 0029 00		GA 11 8.5 bar(e) HAV		1622 0065 00			GA 18 175 psig	
	1622 0029 00		GA 11 10 bar(e)		1622 0019 00			GA 18 175 psig HAV	
	1622 0049 00		GA 11 10 bar(e) HAV		1622 0025 00			GA 22 7.5 bar(e)	
	1622 0037 00		GA 11 13 bar(e)		1622 0061 00			GA 22 7.5 bar(e) HAV	
	1622 0047 00		GA 11 13 bar(e) HAV		1622 0041 00			GA 22 8.5 bar(e)	
	1622 0029 00		GA 11 100 psig		1622 0023 00			GA 22 10 bar(e)	
	1622 0049 00		GA 11 100 psig HAV		1622 0039 00			GA 22 10 bar(e) HAV	
	1622 0049 00		GA 11 125 psig		1622 0039 00			GA 22 13 bar(e)	
	1622 0037 00		GA 11 125 psig HAV		1622 0021 00			GA 22 13 bar(e) HAV	
	1622 0047 00		GA 11 150 psig		1622 0045 00			GA 22 100 psig	
	1622 0033 00		GA 11 150 psig HAV		1622 0039 00			GA 22 100 psig HAV	
	1622 0033 00		GA 11 175 psig		1622 0039 00			GA 22 125 psig	
	1622 0033 00		GA 11 175 psig HAV		1622 0021 00			GA 22 125 psig HAV	
	1622 0057 00		GA 15 7.5 bar(e)		1622 0057 00			GA 22 150 psig	
	1622 0055 00		GA 15 7.5 bar(e) HAV		1622 0055 00			GA 22 150 psig HAV	
	1622 0055 00		GA 15 8.5 bar(e)		1622 0055 00			GA 22 175 psig	
	1622 0043 00		GA 15 8.5 bar(e) HAV		1622 0043 00			GA 22 175 psig HAV	
	1622 0043 00		GA 15 10 bar(e)		1622 0027 00			GA 30C 7.5 bar(e)	
	1622 0053 00		GA 15 10 bar(e) HAV		1622 0027 00			GA 30C 8.5 bar(e)	



## Drive arrangement

Ref.	Part number	Qty	Name	Remarks	Ref.	Part number	Qty	Name	Remarks
	1622 0035 00		GA 30C 10 bar(e)			1622 0056 00		GA 22 150 psig HAV	
	1622 0025 00		GA 30C 13 bar(e)			1622 0056 00		GA 22 175 psig	
	1622 0063 00		GA 30C 100 psig			1622 0044 00		GA 22 175 psig HAV	
	1622 0041 00		GA 30C 125 psig			1622 0028 00		GA 30C 7.5 bar(e)	
	1622 0061 00		GA 30C 150 psig			1622 0028 00		GA 30C 8.5 bar(e)	
3015	1622 0023 00		GA 30C 175 psig			1622 0036 00		GA 30C 10 bar(e)	
		1	Gear wheel			1622 0026 00		GA 30C 13 bar(e)	
	1622 0020 00		GA 11 7.5 bar(e)			1622 0064 00		GA 30C 100 psig	
	1622 0052 00		GA 11 7.5 bar(e) HAV			1622 0042 00		GA 30C 125 psig	
	1622 0052 00		GA 11 8.5 bar(e)			1622 0062 00		GA 30C 150 psig	
	1622 0030 00		GA 11 8.5 bar(e) HAV			1622 0024 00		GA 30C 175 psig	
	1622 0030 00		GA 11 10 bar(e)		4070		1	Motor	
	1622 0050 00		GA 11 10 bar(e) HAV			1080 4070 01		GA 11 200-220V 50/60Hz	
	1622 0038 00		GA 11 13 bar(e)			1080 4070 12		GA 11 200-230V/ 440-460V 60Hz	
	1622 0048 00		GA 11 13 bar(e) HAV			1080 4070 02		GA 11 230V 50Hz	
	1622 0030 00		GA 11 100 psig			1080 4070 13		GA 11 380V 60Hz	
	1622 0050 00		GA 11 100 psig HAV			1080 4070 04		GA 11 400V 50Hz	
	1622 0050 00		GA 11 125 psig			1080 4070 21		GA 11 400V 50Hz + thermistors	
	1622 0038 00		GA 11 125 psig HAV			1080 4071 01		GA 15 200-220V 50/60Hz	
	1622 0048 00		GA 11 150 psig			1080 4071 12		GA 15 200-230V/ 440-460V 60Hz	
	1622 0034 00		GA 11 150 psig HAV			1080 4071 02		GA 15 230V 50Hz	
	1622 0034 00		GA 11 175 psig			1080 4071 13		GA 15 380V 60Hz	
	1622 0034 00		GA 11 175 psig HAV			1080 4071 43		GA 15 380V 60Hz + thermistors	
	1622 0058 00		GA 15 7.5 bar(e)			1080 4071 04		GA 15 400V 50Hz	
	1622 0056 00		GA 15 7.5 bar(e) HAV			1080 4071 21		GA 15 400V 50Hz + thermistors	
	1622 0056 00		GA 15 8.5 bar(e)			1080 4071 22		GA 15 460V 60Hz + thermistors	
	1622 0044 00		GA 15 8.5 bar(e) HAV			1080 4071 14		GA 15 575V 60Hz	
	1622 0044 00		GA 15 10 bar(e)			1080 4072 12		GA 18 200-230V/ 440-460V 60Hz	
	1622 0054 00		GA 15 10 bar(e) HAV			1080 4072 02		GA 18 230V 50Hz	
	1622 0020 00		GA 15 13 bar(e)			1080 4072 13		GA 18 380V 60Hz	
	1622 0052 00		GA 15 13 bar(e) HAV			1080 4072 04		GA 18 400V 50Hz	
	1622 0054 00		GA 15 100 psig			1080 4072 21		GA 18 400V 50Hz + thermistors	
	1622 0066 00		GA 15 100 psig HAV			1080 4072 22		GA 18 460V 60Hz + thermistors	
	1622 0066 00		GA 15 125 psig			1080 4072 14		GA 18 575V 60Hz	
	1622 0020 00		GA 15 125 psig HAV			1080 4073 01		GA 22 200-220V 50/60Hz	
	1622 0052 00		GA 15 150 psig			1080 4073 12		GA 22 200-230V/ 440-460V 60Hz	
	1622 0030 00		GA 15 150 psig HAV			1080 4073 02		GA 22 230V 50Hz	
	1622 0030 00		GA 15 175 psig			1080 4073 13		GA 22 380V 60Hz	
	1622 0050 00		GA 15 175 psig HAV			1080 4073 04		GA 22 400V 50Hz	
	1622 0024 00		GA 18 7.5 bar(e)			1080 4073 21		GA 22 400V 50Hz + thermistors	
	1622 0046 00		GA 18 7.5 bar(e) HAV			1080 4073 22		GA 22 460V 60Hz + thermistors	
	1622 0046 00		GA 18 8.5 bar(e)			1080 4073 14		GA 22 575V 60Hz	
	1622 0022 00		GA 18 10 bar(e)			1080 4074 12		GA 30C 200-230V/ 440-460V 60Hz	
	1622 0058 00		GA 18 10 bar(e) HAV			1080 4074 02		GA 30C 230V 50Hz	
	1622 0056 00		GA 18 13 bar(e)			1080 4074 13		GA 30C 380V 60Hz	
	1622 0044 00		GA 18 13 bar(e) HAV			1080 4074 04		GA 30C 400V 50Hz	
	1622 0058 00		GA 18 100 psig			1080 4074 21		GA 30C 400V 50Hz + thermistors	
	1622 0056 00		GA 18 100 psig HAV			1080 4074 22		GA 30C 460V 60Hz + thermistors	
	1622 0056 00		GA 18 125 psig			1080 4074 14		GA 30C 575V 60Hz	
	1622 0044 00		GA 18 125 psig HAV						
	1622 0044 00		GA 18 150 psig						
	1622 0054 00		GA 18 150 psig HAV						
	1622 0066 00		GA 18 175 psig						
	1622 0020 00		GA 18 175 psig HAV						
	1622 0026 00		GA 22 7.5 bar(e)						
	1622 0062 00		GA 22 7.5 bar(e) HAV						
	1622 0042 00		GA 22 8.5 bar(e)						
	1622 0024 00		GA 22 10 bar(e)						
	1622 0040 00		GA 22 10 bar(e) HAV						
	1622 0040 00		GA 22 13 bar(e)						
	1622 0022 00		GA 22 13 bar(e) HAV						
	1622 0046 00		GA 22 100 psig						
	1622 0040 00		GA 22 100 psig HAV						
	1622 0022 00		GA 22 125 psig HAV						
	1622 0040 00		GA 22 125 psig,						
	1622 0058 00		GA 22 150 psig						

2



61601\_02

## Air flow

Up to serial No. :  
 Tot serienummer:  
 T.o.m. tillverkningsnummer:  
 Bis Seriennummer:  
 Jusqu'au numéro de série:  
 Hasta el número de serie:  
 Fino al numeri di serie:  
 Gælder til følgende serienumre:  
 Até o número de série:  
 Til følgende serienummer:  
 Seuraavaan valmistusnumeroon asti, No.:  
 API 289 999

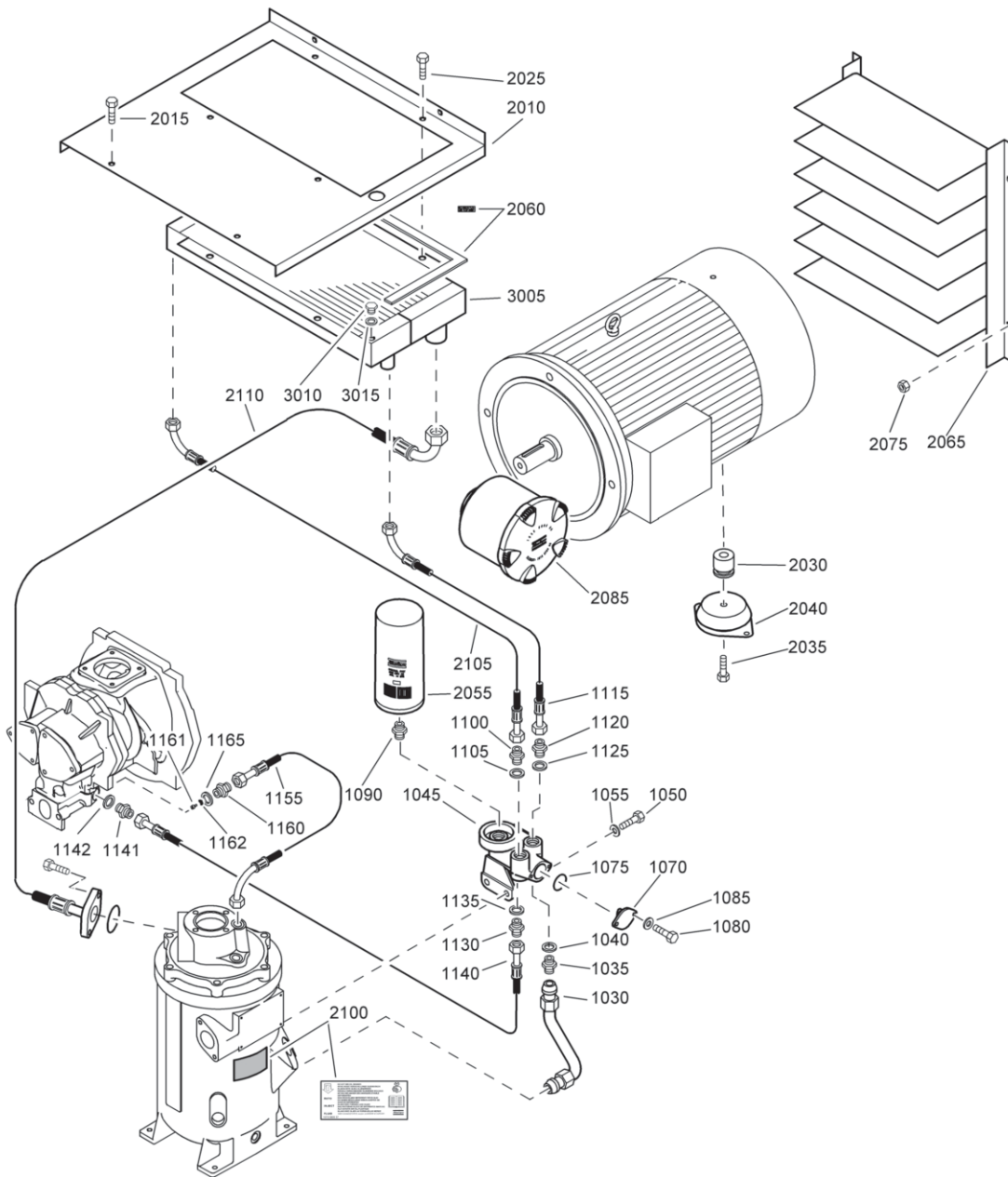
From following serial No. onwards:  
 Geldig vanaf volgend serienummer:  
 Fr.o.m. tillverkningsnummer:  
 Gültig ab Seriennummer:  
 Valable à partir du numéro de série suivant:  
 A partir del siguiente número de serie:  
 Dai seguenti numeri di serie in avanti:  
 Gælder fra følgende serienumre:  
 A partir do número de série:  
 Fra og med følgende serienummer:  
 Alkaen valmistusnumerosta  
 API 290 000

Ref.	Part number	Qty	Name	Remarks	Ref.	Part number	Qty	Name	Remarks
<b>1020</b>	<<<< >>>>	<b>1</b>	<b>Unloading valve</b>		<b>1020</b>	<<<< >>>>	<b>1</b>	<b>Unloading valve</b>	
1025	0663 7142 00	1	O-ring		1025	0663 7142 00	1	O-ring	
1030	0147 1325 03	4	Hexagon bolt		1030	0147 1325 03	4	Hexagon bolt	
1035	0301 2335 00	4	Washer		1035	0301 2335 00	4	Washer	
1040	0266 2110 00	1	Nut		1060	1622 0018 00	1	Hose assembly	
1045	1613 7310 00	1	Plate		1065	0347 6114 00	3	Hose clip	
1050	0246 1956 39	1	Stud		1090	1079 6034 11	1	Nipple	
1060	1622 0018 00	1	Hose assembly		1095	0653 1062 00	1	Flat gasket	
1065	0347 6114 00	3	Hose clip		1100	1619 5819 00	1	Sintered disk	
1075	1613 8722 00	1	Connection		1105	1613 7912 01	1	Indicator	
1085	0291 1110 00	1	Lock nut		1110	0657 5742 00	1	Flat gasket	
1090	1079 6034 11	1	Nipple		1115	1622 0014 01	1	Housing	
1095	0653 1062 00	1	Flat gasket		1120	0663 2111 35	3	O-ring	
1100	1619 5819 00	1	Sintered disk		1125	0663 7134 00	1	O-ring	
1105	1613 7912 01	1	Indicator		1130	0301 2335 00	4	Washer	
1110	0657 5742 00	1	Flat gasket		1135	0147 1329 03	2	Hexagon bolt	
1115	1622 0014 01	1	Housing		1140	0147 1335 03	2	Hexagon bolt	
1120	0663 2111 35	3	O-ring		1145	1622 0015 00	1	Hose assembly	
1125	0663 7134 00	1	O-ring		1150	0663 7134 00	2	O-ring	
1130	0301 2335 00	4	Washer		1159	0301 2335 00	4	Washer	
1135	0147 1329 03	2	Hexagon bolt		1160	0147 1325 03	4	Hexagon bolt	
1140	0147 1335 03	2	Hexagon bolt		1200	0574 9914 15	1	Hose assembly	
1145	1622 0015 00	1	Hose assembly		1205	1079 5840 14	1	Nipple	
1150	0663 7134 00	2	O-ring		1210	0661 1000 40	1	Seal washer	
1159	0301 2335 00	4	Washer		2240	0661 1000 44	1	Seal washer	
1160	0147 1325 03	4	Hexagon bolt		2245	1622 0590 00	1	Hose ass'y	
1170	0663 3129 00	1	O-ring	1)	2250	2250 4983 00	1	Nipple	
1175	0147 1362 03	2	Hexagon bolt	1)					
1200	0574 9914 15	1	Hose assembly						
1205	1079 5840 02	1	Nipple						
1210	0661 1000 38	1	Seal washer						
1215	0324 1000 28	1	Distance ring						
1220	0301 2335 00	2	Washer						
1225	1622 0492 00	1	Gasket						
2040	0661 1000 44	1	Seal washer	2)					
2045	1622 0590 00	1	Hose ass'y	2)					
2050	2250 4983 00	1	Nipple	2)					

- 1) Bolted Minimum Pressure Valve  
 2) Screwed Minimum Pressure Valve



3

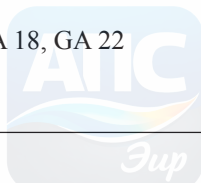


61579\_05

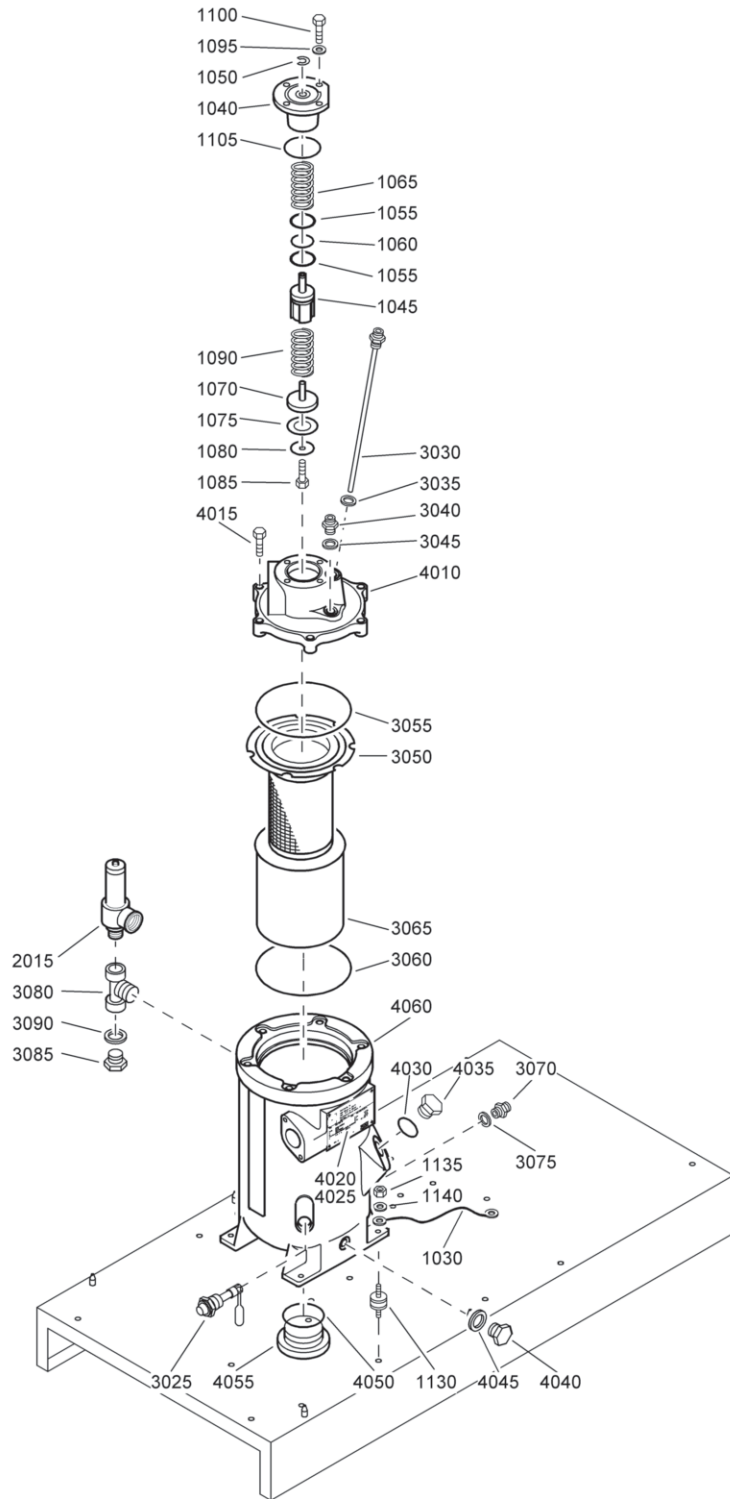
## Oil system

## 3

Ref.	Part number	Qty	Name	Remarks	Ref.	Part number	Qty	Name	Remarks
1030	1622 0071 00	1	Pipe		2040		1	Antivibr.pad	
1035	1079 5840 27	1	Hex.nipple			1613 6752 16		GA 11, GA 15, GA 18, GA 22	
1040	0661 1000 43	1	Seal washer			1613 6752 17		GA 30C	
1045	1613 6883 03	1	Valve housing		2055	1613 6105 00	1	Oil filter	
1050	0147 1362 03	2	Hexagon bolt		2060	1619 5188 00	AR	Seal	
1055	0301 2344 00	2	Washer		<b>2065</b>	<b>1622 0160 80</b>	<b>1</b>	<b>Baffle ass'y</b> 1)	
1070	1614 6118 00	1	Flange			<b>1622 0160 80</b>		GA 11, GA 15, GA 18, GA 22	
1075	0663 2101 95	1	O-ring			<b>1622 0364 80</b>		GA 30C bar(e)	
1080	0147 1246 03	2	Hexagon bolt					GA 30C psig	
1085	0301 2321 00	2	Washer		2075	0266 7024 02	4	Nut	
1090	1619 3770 00	1	Nipple		2085	1622 0004 00	1	Filter housing	
1100	1079 5840 27	1	Hex.nipple		2100	1079 9909 57	1	Label	
1105	0661 1000 43	1	Seal washer		2105		1	Hose assembly	
1115	0574 9911 14	1	Hose assembly			0574 9910 10		GA 11, GA 15,	
1120	1079 5840 27	1	Hex.nipple			0574 9911 17		GA 18, GA 22, GA 30C	
1125	0661 1000 43	1	Seal washer		2110		1	Hose assembly 2)3)	
1130	1079 5840 27	1	Hex.nipple			1622 0072 00		GA 11, GA 15, GA 18, GA 22	
1135	0661 1000 43	1	Seal washer			1622 0362 00		GA 30C	
1140	0574 9911 13	1	Hose assembly				<b>1</b>	<b>Combi-cooler</b>	
1141	1079 5840 21	1	Hexagon nipple			<b>1622 0105 00</b>		GA 11	
1142	0661 1000 39	1	Seal washer			<b>1622 0106 00</b>		GA 15	
1155	0574 9914 10	1	Hose assembly			<b>1622 0107 00</b>		GA 18	
1160	1622 0164 00	1	Nipple			<b>1622 0108 00</b>		GA 22	
1161	1613 9005 00	1	Non return valve			<b>1622 0109 00</b>		GA 30C	
1162	0663 2108 11	1	O-ring		3005		• 1	Combi-cooler	
1165	0661 1000 38	1	Seal washer		3010	0686 3716 01	• 1	Hexagon plug	
2010		1	Plate		3015	0653 1062 00	• 1	Flat gasket	
	1622 0110 00		GA 11						
	1622 0111 00		GA 15		1)			Lined with / Bekleed met / Beklädd med / Ausgekleidet mit / Garnir de / Rivestido de / Allineato con / Foret med / Revestido com / Kledd med / Vuorattu :	
	1622 0112 00		GA 18					Foam: 0395 6001 69 (AR) 50 x 2040 x 1650	
2015	0147 1963 08	4	Hexagon bolt		2)			Bolted Minimum Pressure Valve	
2025	0147 1963 08	4	Hexagon bolt		3)			For "Screwed Minimum Pressure Valve - See - Air flow"	
2030		1	Spacer						
	1622 0012 00		GA 11, GA 15, GA 18, GA 22						
	1622 0013 00		GA 30C						
2035		1	Hexagon bolt						
	0147 1376 03		GA 11, GA 15, GA 18, GA 22						
	0147 1370 03		GA 30C						



4

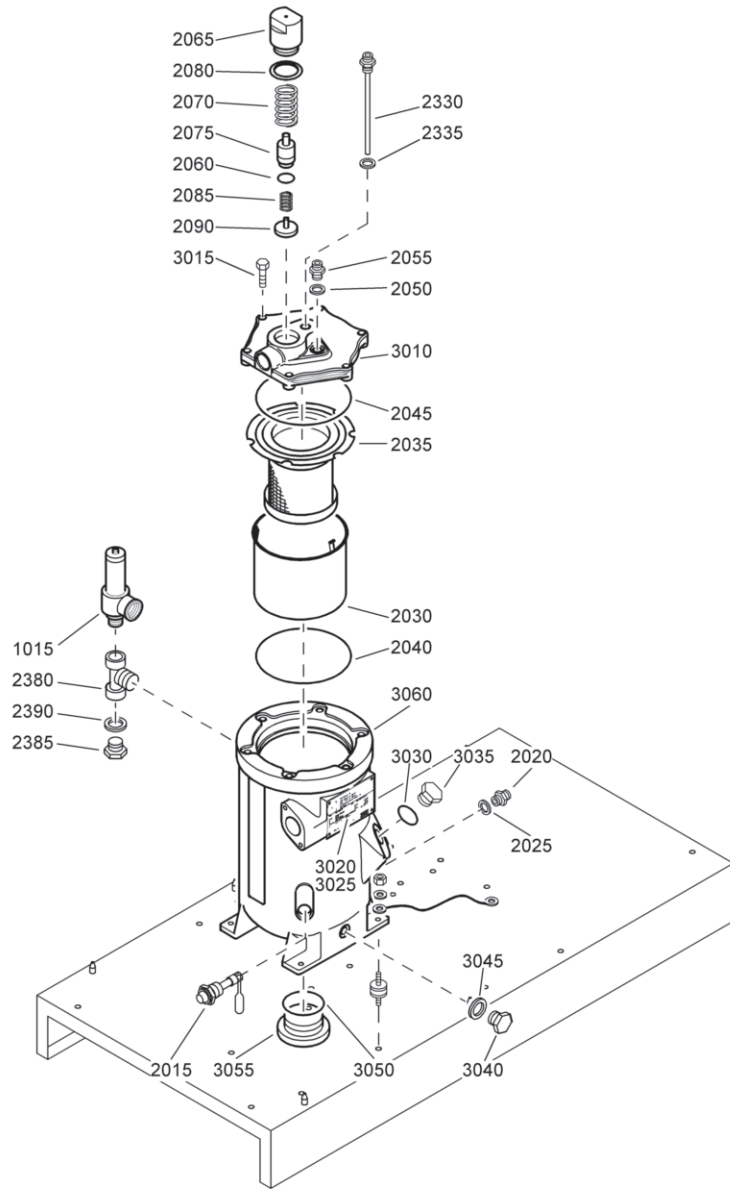


61582\_03

## Air receiver - with bolted Minimum Pressure Valve

Ref.	Part number	Qty	Name	Remarks	Ref.	Part number	Qty	Name	Remarks
1030	1613 8967 03	1	Cable		3030	1622 0017 00	• 1	Scavenge line	
1040	1202 9747 00	1	Cover		3035	0653 1100 00	• 1	Flat gasket	
1045	1613 3220 01	1	Piston		3040	1079 5840 14	• 1	Nipple	
1050	0335 3111 00	1	Retaining ring		3045	0661 1000 40	• 1	Seal washer	
1055	1614 4662 00	2	Piston ring		3050	1622 0079 00	• 1	Oil sep element	
1060	0663 3133 00	1	O-ring		3055	0663 2111 23	• 1	O-ring	
1065	1612 4048 00	1	Compr.spring		3060	0663 2111 24	• 1	O-ring	
1070	1613 3221 00	1	Piston valve		3065	1622 0016 00	• 1	Shield	
1075	1613 3223 01	1	Washer		3070	1079 5840 27	• 1	Hex.nipple	
1080	1613 3222 00	1	Washer		3075	0661 1000 43	• 1	Seal washer	
1085	0147 1244 03	1	Hexagon bolt		3080	0564 0000 60	• 1	Tee	
1090	1612 4049 00	1	Compr.spring		3085	0686 3716 02	• 1	Hexagon plug	
1095	0301 2344 00	4	Washer		3090	0661 1000 39	• 1	Seal washer	
1100	0147 1362 03	4	Hexagon bolt				• 1	<b>Oil separator</b>	
1105	0663 7136 00	1	O-ring			<b>1622 0000 82</b>		LLOYDS, DIR	
1130	2235 2544 00	4	Damper			<b>1622 0000 99</b>		PED, ASME	
1135	0266 2110 00	4	Nut		4010	1622 0002 00	•• 1	Valve housing	
1140	0301 2335 00	4	Washer		4015	0147 1958 86	•• 6	Hexagon bolt	
2015		1	Safety valve		4020	1622 0003 00	•• 1	Dataplate	
	0832 1000 77		7.5 bar(e)		4025	0244 4184 00	•• 4	Drive screw	
	0832 1000 78		8 bar(e), 10 bar(e)		4030	1202 8992 00	•• 1	Plug	
	0832 1000 79		13 bar(e)		4035	0663 2102 15	•• 1	O-ring	
	0830 1008 35		100 psig, 125 psig		4040	0686 3716 30	•• 1	Hexagon plug	
	0830 1008 38		150 psig, 175 psig		4045	0661 1000 40	•• 1	Seal washer	
		<b>1</b>	<b>Vessel ass'y</b>		4050	0663 2111 18	•• 1	O-ring	
	<b>1622 0067 82</b>		LLOYDS, DIR		4055	1622 0001 00	•• 1	Plug	
	<b>1622 0067 99</b>		PED, ASME		4060	1622 0000 00	•• 1	Vessel	
3025	1613 9020 00	• 1	Level gauge						

# 5



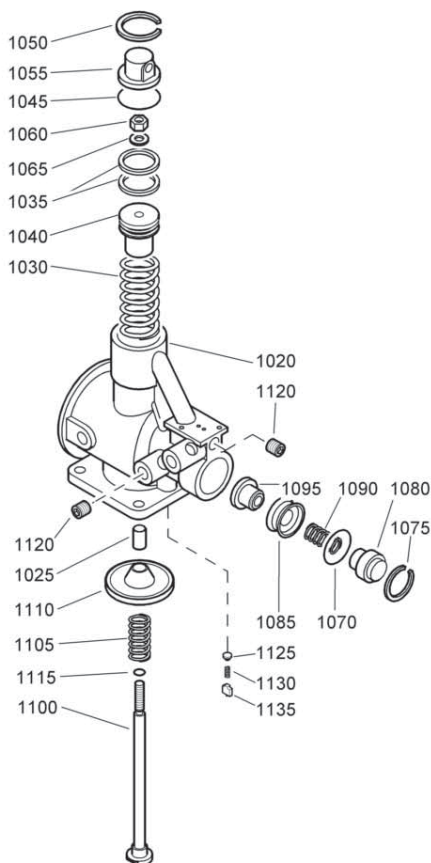
61600\_03

## Air receiver - with screwed Minimum Pressure Valve

Ref.	Part number	Qty	Name	Remarks	Ref.	Part number	Qty	Name	Remarks
1015		1	Safety valve		2085	1622 0525 00	• 1	Spring	
	0832 1000 77		7.5 bar(e)		2090	1622 0523 00	• 1	Valve disk	
	0832 1000 78		8.5 bar(e), 10 bar(e)		2330	1622 0017 10	• 1	Scavenge line	
	0832 1000 79		13 bar(e)		2335	0653 1100 00	• 1	Flat gasket	
	0830 1008 35		100 psig, 125 psig		2380	0564 0000 60	• 1	Tee	
	0830 1008 38		150 psig, 175 psig		2385	0686 3716 02	• 1	Hexagon plug	
		1	<b>Vessel ass'y</b>		2390	0661 1000 39	• 1	Seal washer	
	<b>1622 0589 99</b>		PED, ASME				• 1	<b>Oil separator</b>	
	<b>1622 0589 82</b>		LLOYD'S, DIR			<b>1622 0549 82</b>		LLOYD'S, DIR	
	<b>1622 0589 85</b>		MOL			<b>1622 0549 85</b>		MOL	
	<b>1622 0589 98</b>		UDT			<b>1622 0549 98</b>		UDP	
2015	1613 9020 00	• 1	Level gauge			<b>1622 0549 99</b>		ASME	
2020	1079 5840 27	• 1	Hex.nipple		3010	1622 0520 00	•• 1	Valve housing	
2025	0661 1000 43	• 1	Seal washer		3015	0147 1958 86	•• 6	Hexagon bolt	
2030	1622 0016 00	• 1	Shield		3020		•• 1	Dataplate	
2035	1622 0516 00	• 1	Oil sep element			1622 0003 00		DIR, LLOYD'S, MOL	
2040	0663 2111 24	• 1	O-ring			1622 0003 01		ASME, UDP	
2045	0663 2111 23	• 1	O-ring		3025	0244 4184 00	•• 4	Drive screw	
2050	0661 1000 40	• 1	Seal washer		3030	1202 8992 00	•• 1	Plug	
2055	1079 5840 14	• 1	Nipple		3035	0663 2102 15	•• 1	O-ring	
2060	0663 2111 78	• 1	O-ring		3040	0686 3716 30	•• 1	Hexagon plug	
2065	1622 0521 00	• 1	Housing		3045	0661 1000 40	•• 1	Seal washer	
2070	1622 0524 00	• 1	Spring		3050	0663 2111 18	•• 1	O-ring	
2075	1622 0522 00	• 1	Piston		3055	1622 0001 00	•• 1	Plug	
2080	0661 1000 46	• 1	Seal washer		3060	1622 0000 00	•• 1	Vessel	

# 6

## Unloading valve - 1)



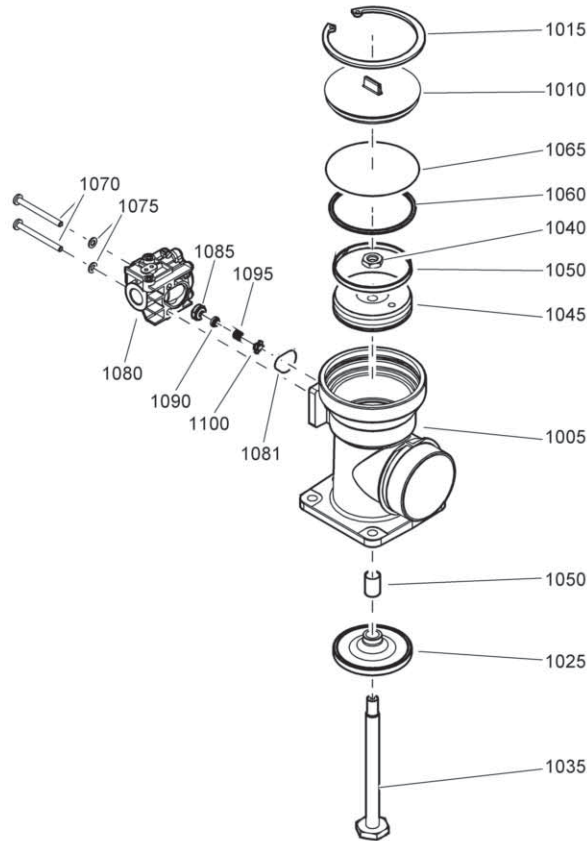
60760\_20

Ref.	Part number	Qty	Name	Remarks	Ref.	Part number	Qty	Name	Remarks
	<b>1613 7568 84</b>	<b>1</b>	<b>Unloading valve</b>		1110		• 1	Valve	
	<b>1613 7568 85</b>		Load / Unload control			1613 7699 01		Load / Unload control	
			Modulating control			1613 7687 81		Modulating control	
1020		• 1	Valve housing		1115	0663 2101 85	• 1	O-ring	
1025		• 1	Plain bearing		1120	0686 6128 00	• 4	Plug	
1030	1613 6800 00	• 1	Spring		1125		• 1	Plug	
1035	1613 6969 00	• 2	Piston ring		1130		• 1	Spring	
1040	1613 7031 00	• 1	Piston		1135		• 1	Plug	
1045	0663 2105 46	• 1	O-ring						
1050	0335 2140 00	• 1	Circlip						
1055		• 1	Cover						
	1613 6966 00		Load / Unload control						
	1613 6966 01		Modulating control						
1060	0291 1110 00	• 1	Lock nut						
1065	0653 1033 00	• 1	Flat gasket						
1070	0663 7132 00	• 1	O-ring						
1075	0335 2136 00	• 1	Circlip						
1080	1613 6794 00	• 1	Cover						
1085	1613 6783 00	• 1	Piston						
1090	1513 0011 00	• 1	Spring						
1095	1613 6796 00	• 1	Valve seat						
1100	1613 7032 01	• 1	Piston rod						
1105	1613 6802 00	• 1	Spring						

1) Up to serial No. :  
 Tot serienummer:  
 T.o.m. tillverkningsnummer:  
 Bis Seriennummer:  
 Jusqu'au numéro de série:  
 Hasta el número de serie:  
 Fino al numeri di serie:  
 Gælder til følgende serienumre:  
 Até o número de série:  
 Til følgende serienummer:  
 Seuraavaan valmistusnumeroon asti, No.:  
 API 289 999



Unloading valve - 2)

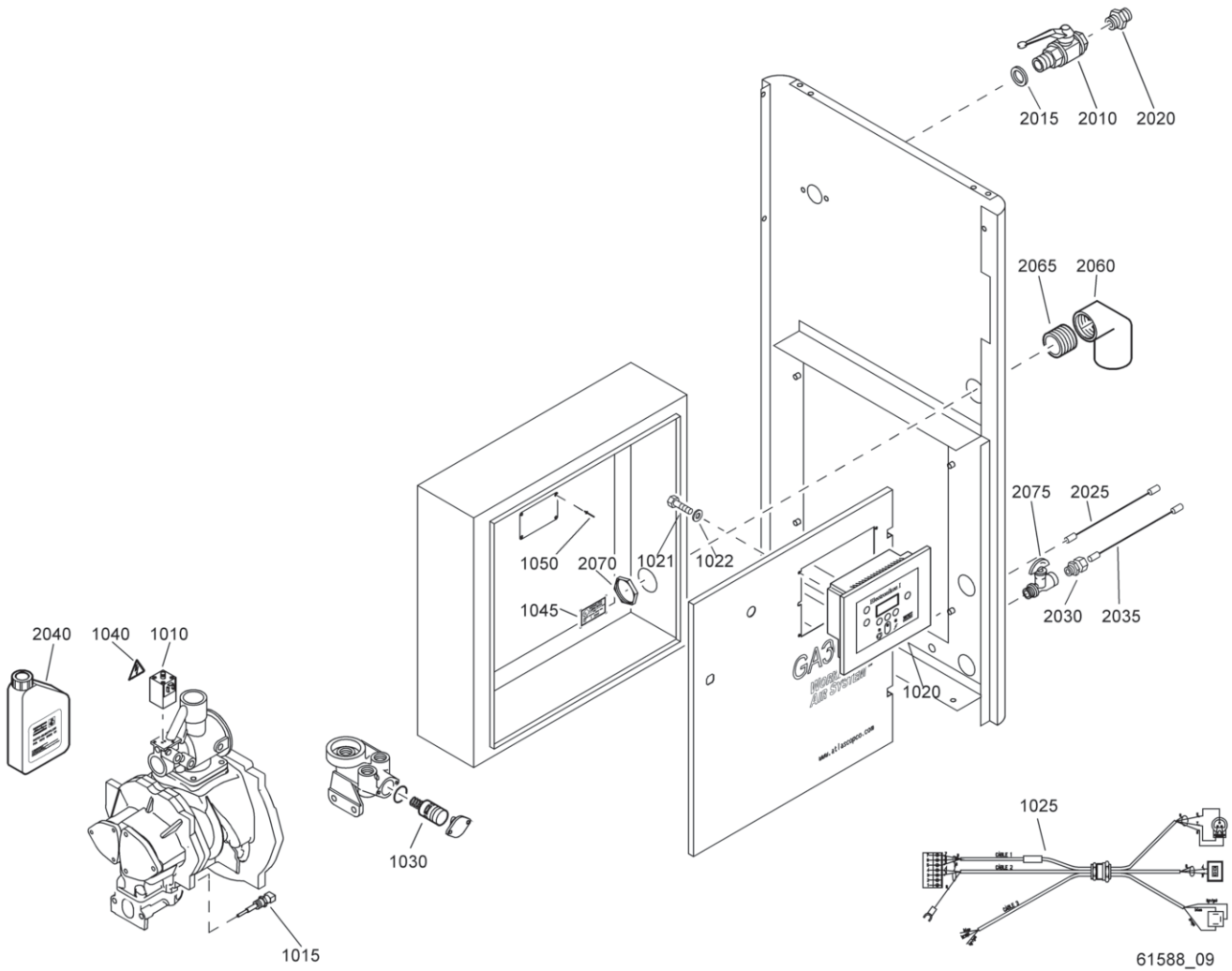


62962\_20

Ref.	Part number	Qty	Name	Remarks	Ref.	Part number	Qty	Name	Remarks
	<b>1622 1713 80</b>	<b>1</b>	<b>Unloading valve</b>		1100	1622 2903 00 •	1	Spring guide	
1005		• 1	Housing		1)				See "Service kits" / Zie "Service kits" / Se "Service kits" / Siehe "Service kits" / Voir "Service kits" / Véase "Service kits" / Vedere "Kit per la manutenzione" / Se "Service kits" / Ver "Conjuntos de reparação" / Se "Servicesett" / Katso "Huoltotarvik"
1010	1622 1717 00	• 1	Cover		<b>2902 0161 00</b>	<b>1</b>	<b>Unloader valve kit</b>		<b>2)</b> From following serial No. onwards: Geldig vanaf volgend serienummer: Fr.o.m. tillverkningsnummer: Gültig ab Seriennummer: Valable à partir du numéro de série suivant: A partir del siguiente número de serie: Dai seguenti numeri di serie in avanti: Gælder fra følgende serienumre: A partir do número de série: Fra og med følgende serienummer: Alkaen valmistusnumerosta API - 290 000
1015	0335 2164 00	• 1	Circlip						
1025	1622 1755 80	• 1	Valve ass'y						
1035	1622 1773 00	• 1	Rod						
1040	0261 1090 86	• 1	Nut						
1045	1622 1789 00	• 1	Piston						
1050	1622 1790 00	• 1	Guidance tape						
1055	1622 1797 00	• 1	Bushing						
1060	1622 1798 00	• 1	Quad-ring						
1065	0663 2104 98	• 1	O-ring						
1070	0160 0996 86	• 2	Screw						
1075	0301 2318 00	• 2	Washer						
1080	1622 3694 80	• 1	Blow off valve 1)						
1081	0663 7128 00	• 1	O-ring						
1085	1622 2906 00	• 1	Bushing						
1090	1622 2905 00	• 1	Seal						
1095	1622 2904 00	• 1	Spring						



# 8



## Regulating system - Pack

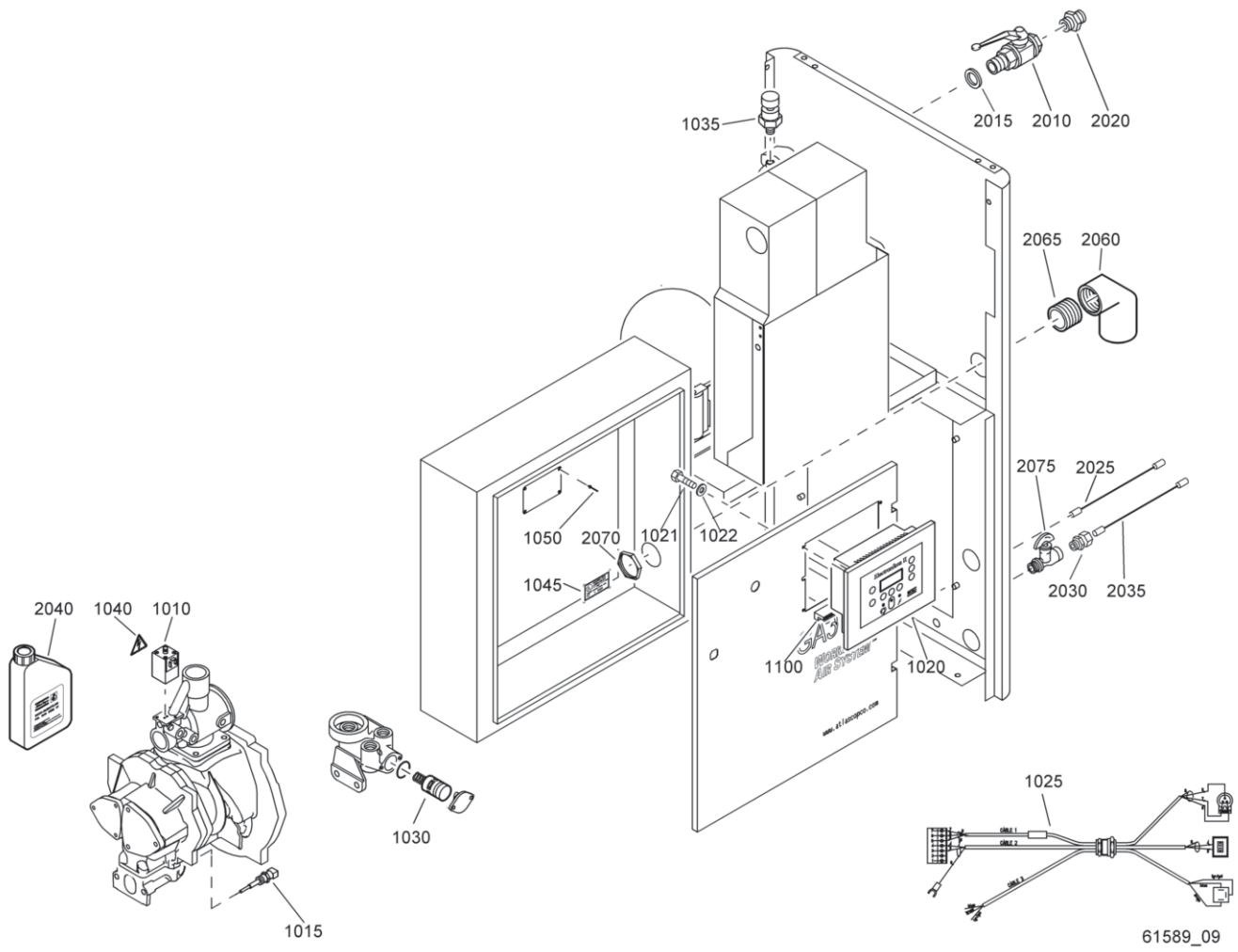
Up to serial No. :  
 Tot serienummer:  
 T.o.m. tillverkningsnummer:  
 Bis Seriennummer:  
 Jusqu'au numéro de série:  
 Hasta el número de serie:  
 Fino al numeri di serie:  
 Gælder til følgende serienumre:  
 Até o número de série:  
 Til følgende serienummer:  
 Seuraavaan valmistusnumeroon asti, No.:  
 AII 286 499

From following serial No. onwards:  
 Geldig vanaf volgend serienummer:  
 Fr.o.m. tillverkningsnummer:  
 Gültig ab Seriennummer:  
 Valable à partir du numéro de série suivant:  
 A partir del siguiente número de serie:  
 Dai seguenti numeri di serie in avanti:  
 Gælder fra følgende serienumre:  
 A partir do número de série:  
 Fra og med følgende serienummer:  
 Alkaen valmistusnumerosta:  
 1) AII 286 500  
 2) API 290 000

Ref.	Part number	Qty	Name	Remarks	Ref.	Part number	Qty	Name	Remarks
1010	<b>1089 0621 19</b>	1	<b>Solenoid valve</b>		1010	<b>1089 0621 20</b>	1	<b>Solenoid valve</b>	
	<b>1089 0621 14</b>		115V/60Hz			<b>1089 0621 19</b>		110V/50Hz	1)
	<b>1089 0621 13</b>		230V/50Hz			<b>1089 0621 19</b>		115V/60Hz	1)
	0663 2104 83	2	O-ring			<b>1089 0702 05</b>		110V/50Hz	2)
1015	1089 0574 04	1	Temp.sensor			<b>1089 0702 06</b>		115V/60Hz	2)
1020	1900 0711 01	1	Regulator			0663 2104 83	2	O-ring	
1021	0147 1169 03	4	Hexagon bolt			1089 0702 82	1	Adaptor	2)
1022	0301 2315 00	4	Washer		1015	1089 0574 04	1	Temp.sensor	
1025		1	Wire harness		1020	1900 0711 01	1	Regulator	
	1622 0005 13		IEC		1021	0147 1169 03	4	Hexagon bolt	
	1622 0005 14		CSA/UL		1022	0301 2315 00	4	Washer	
1030		1	Thermostat		1025	1622 0005 40	1	Wire harness	
	1619 7333 00		40°C		1030		1	Thermostat	
	1613 7064 01		60°C			1619 7333 00		40°C	
	1619 7493 00		75°C			1613 7064 01		60°C	
1040	1088 1001 01	1	Warning mark			1619 7493 00		75°C	
1045		1	Listing mark		1040	1088 1001 01	1	Warning mark	
	1613 5330 00		CSA/UL		1050		4	Blind rivet	
1050		4	Blind rivet			0129 3104 00		CSA/UL	
	0129 3104 00		CSA/UL		2010	0852 0010 15	1	Ball valve	
2010	0852 0010 15	1	Ball valve		2015	0661 1000 44	1	Seal washer	
2015	0661 1000 44	1	Seal washer		2020		1	Adaptor	
2020		1	Adaptor			0603 4100 25		NPT	
	0603 4100 25		NPT		2025	0070 6002 04	AR	Plastic tube	
2025	0070 6002 04	AR	Plastic tube		2030	0581 0000 33	1	Coupling	
2030	0581 0000 33	1	Coupling		2035	0070 6002 05	AR	Plastic tube	
2035	0070 6002 05	AR	Plastic tube		2040	1613 6532 01	1	Oil can	
2040	1613 6532 01	1	Oil can		2060		1	Adapter	
2060		1	Elbow			1622 2818 00		IEC	
	0697 9750 20		IEC			1622 2819 00		CSA/UL	
2065		1	Threaded nipple		2070	0697 9809 05	1	Nut	
	1622 0153 01		IEC		2075	1613 8892 00	1	Cock	
2070		1	Nut						
	0697 9808 00		IEC						
2075	1613 8892 00	1	Cock						



# 9



## Regulating system - WorkPlace

Up to serial No. :  
 Tot serienummer:  
 T.o.m. tillverkningsnummer:  
 Bis Seriennummer:  
 Jusqu'au numéro de série:  
 Hasta el número de serie:  
 Fino al numeri di serie:  
 Gælder til følgende serienumre:  
 Até o número de série:  
 Til følgende serienummer:  
 Seuraavaan valmistusnumeroon asti, No.:  
 AII 286 499

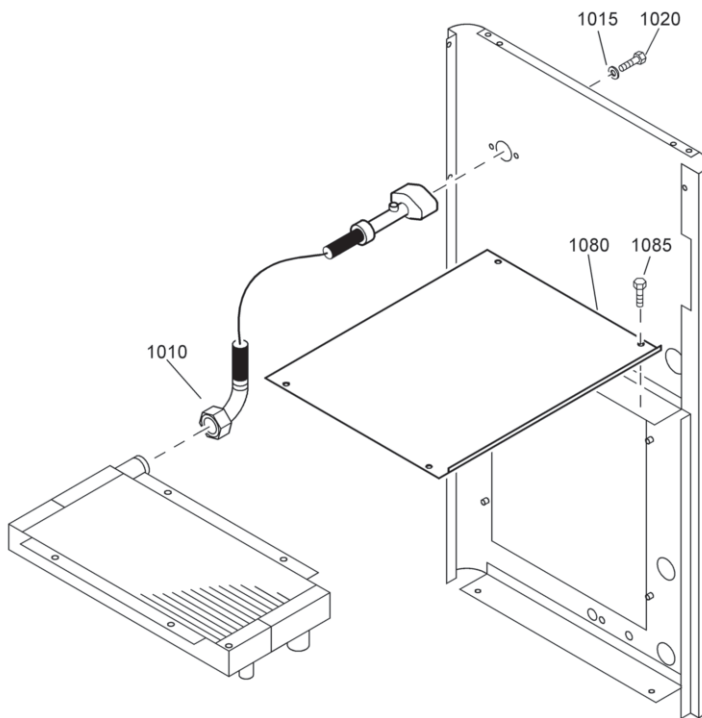
From following serial No. onwards:  
 Geldig vanaf volgend serienummer:  
 Fr.o.m. tillverkningsnummer:  
 Gültig ab Seriennummer:  
 Valable à partir du numéro de série suivant:  
 A partir del siguiente número de serie:  
 Dai seguenti numeri di serie in avanti:  
 Gælder fra følgende serienumre:  
 A partir do número de série:  
 Fra og med følgende serienummer:  
 Alkaen valmistusnumerosta:  
 1) AII 286 500  
 2) API 290 000

Ref.	Part number	Qty	Name	Remarks	Ref.	Part number	Qty	Name	Remarks
1010	<b>1089 0621 19</b>	1	<b>Solenoid valve</b>		1010	<b>1089 0621 20</b>	1	<b>Solenoid valve</b>	
	<b>1089 0621 14</b>		115V/60Hz			<b>1089 0621 19</b>		110V/50Hz	1)
	<b>1089 0621 13</b>		230V/50Hz			<b>1089 0621 19</b>		115V/60Hz	1)
	0663 2104 83	• 2	230V/60Hz			<b>1089 0702 05</b>		110V/50Hz	2)
1015	1089 0574 04	1	O-ring			<b>1089 0702 06</b>		115V/60Hz	2)
1020	1900 0710 01	1	Temp.sensor			0663 2104 83	• 2	O-ring	
1021	0147 1169 03	4	Regulator		1015	1089 0574 04	1	Adaptor	2)
1022	0301 2315 00	4	Hexagon bolt		1020	1900 0710 01	1	Temp.sensor	
1025		1	Washer		1021	0147 1169 03	4	Regulator	
	1622 0005 23		Wire harness		1022	0301 2315 00	4	Hexagon bolt	
	1622 0005 24		IEC		1025	1622 0005 42	1	Washer	
1030		1	CSA/UL		1025	1622 0005 42	1	Wire harness	
	1619 7333 00		Thermostat		1030		1	Thermostat	
	1613 7064 01		40°C			1619 7333 00		40°C	
	1619 7493 00		60°C			1613 7064 01		60°C	
1035	1089 0575 51	1	75°C			1619 7493 00		75°C	
1040	1088 1001 01	1	Press.transducer		1035	1089 0575 51	1	Press.transducer	
1045		1	Warning mark		1040	1088 1001 01	1	Warning mark	
	1613 5330 00		Listing mark		1045		4	Blind rivet	
1050		4	CSA/UL			0129 3104 00		CSA/UL	
	0129 3104 00		Blind rivet		1100	1088 0031 30	1	Connector	
1100	1088 0031 30	1	CSA/UL		2010	0852 0010 15	1	Ball valve	
2010	0852 0010 15	1	Ball valve		2015	0661 1000 44	1	Seal washer	
2015	0661 1000 44	1	Connector		2020		1	Adaptor	
2020		1	Ball valve			0603 4100 25		NPT	
	0603 4100 25		Seal washer		2025	0070 6002 04	AR	Plastic tube	
2025	0070 6002 04	AR	Adaptor		2030	0581 0000 33	1	Coupling	
2030	0581 0000 33	1	NPT		2035	0070 6002 05	AR	Plastic tube	
2035	0070 6002 05	AR	Plastic tube		2040	1613 6532 01	1	Oil can	
2040	1613 6532 01	1	Oil can		2060		1	Adapter	
2060		1	IEC			1622 2818 00		IEC	
	0697 9750 20		Elbow			1622 2819 00		CSA/UL	
2065		1	IEC		2070	0697 9809 05	1	Nut	
	1622 0153 01		Threaded nipple		2075	1613 8892 00	1	Cock	
2070		1	IEC						
	0697 9808 00		Nut						
2075	1613 8892 00	1	IEC						
			Cock						



# 10

## Air outlet - Pack



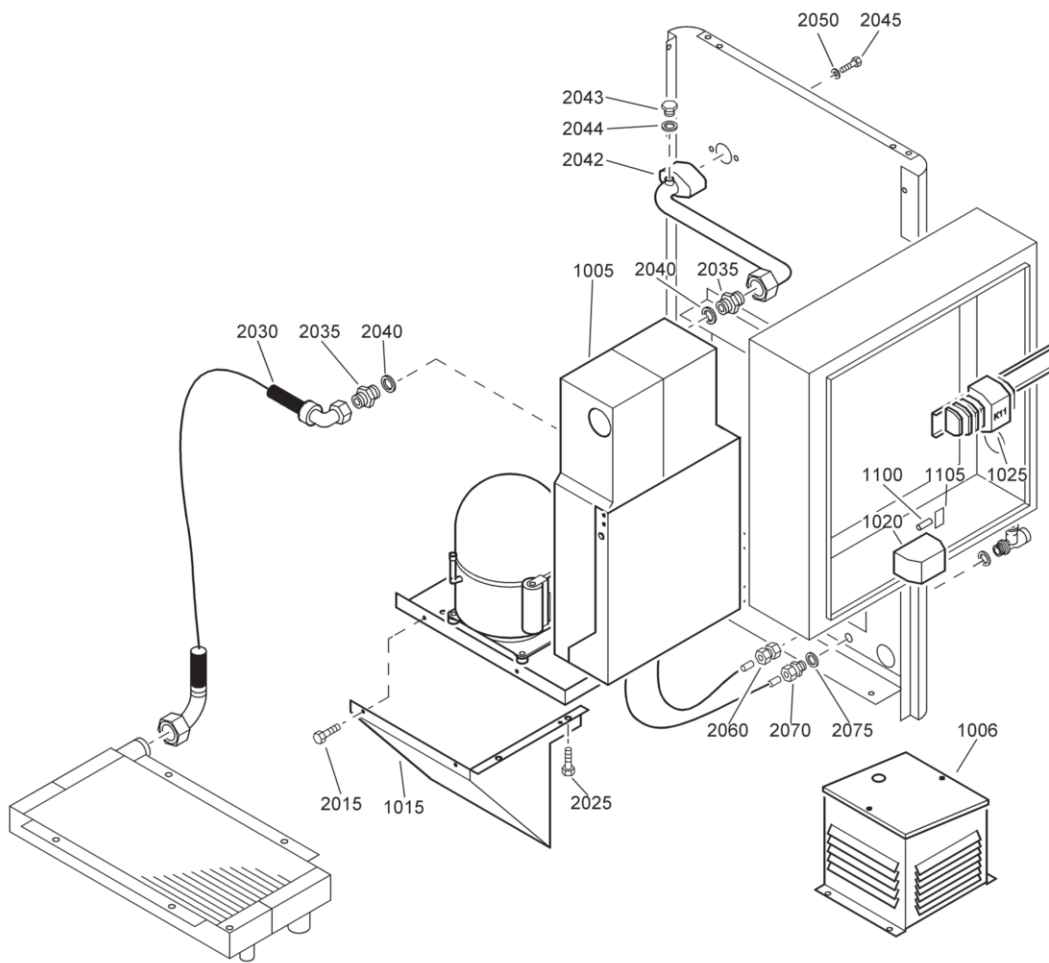
61585\_06

61585\_06

Ref.	Part number	Qty	Name	Remarks	Ref.	Part number	Qty	Name	Remarks
1010	1622 0075 10	1	Hose assembly		1085	0147 1963 08	4	Hexagon bolt	
1015	0301 2335 00	2	Washer		1) Lined with / Bekleed met / Beklädd med / Ausgekleidet mit / Garnir de / Rivestido de / Allineato con / Foret med / Revestido com / Kledd med / Vuorattu : Foam: 0395 6001 66 (AR) 25 x 2040 x 1650				
1020	0147 1961 84	2	Hexagon bolt						
<b>1080</b>	<b>1622 0120 80</b>	<b>1</b>	<b>Baffle assembly</b>	1)					



# 12



61587\_06

## Air outlet - Pack FF - WorkPlace FF

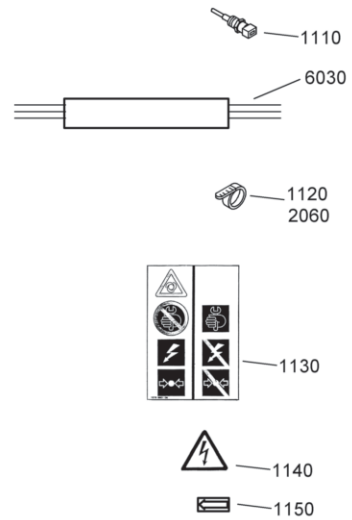
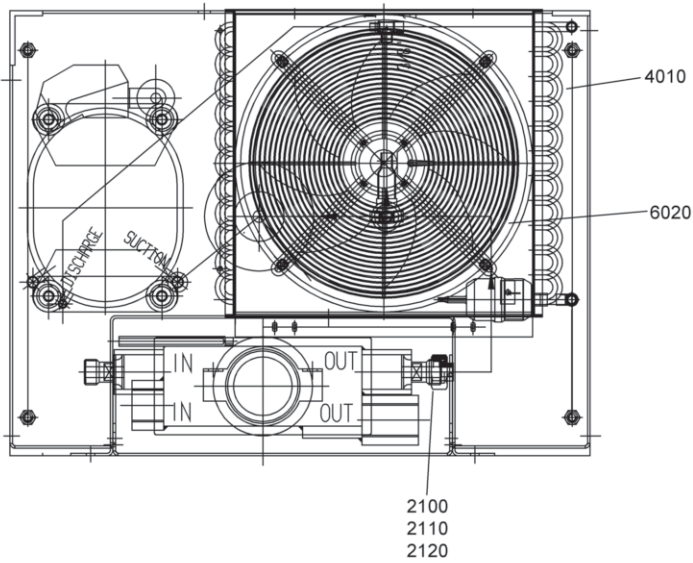
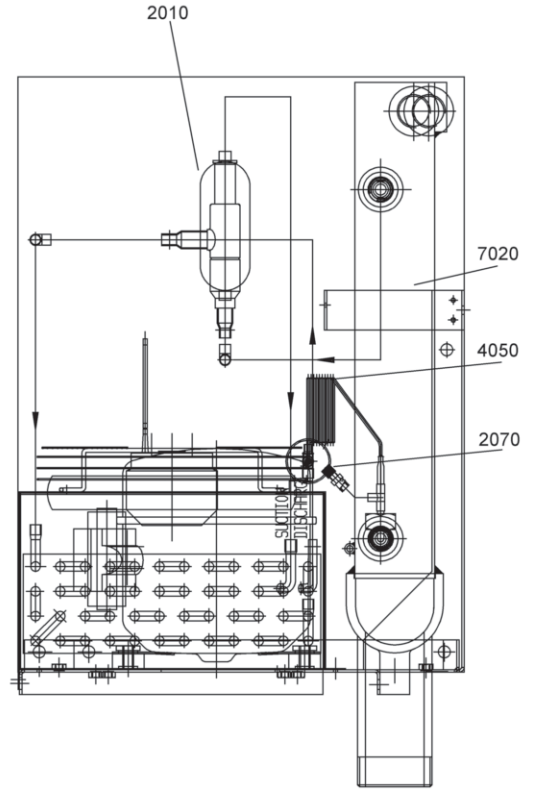
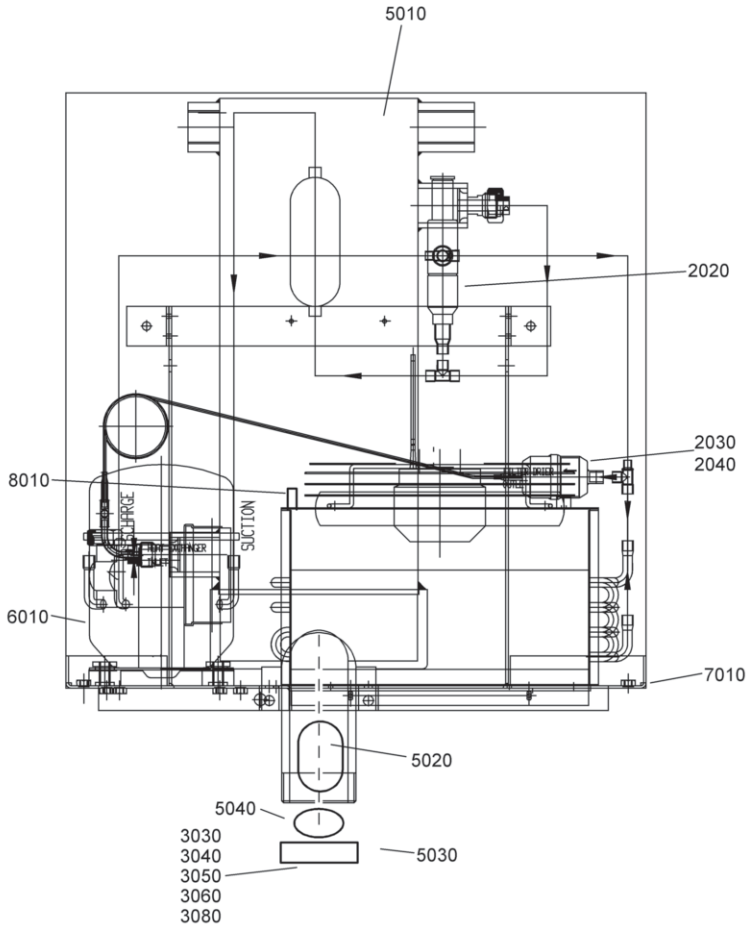
Up to serial No. :  
 Tot serienummer:  
 T.o.m. tillverkningsnummer:  
 Bis Seriennummer:  
 Jusqu'au numéro de série:  
 Hasta el número de serie:  
 Fino al numeri di serie:  
 Gælder til følgende serienumre:  
 Até o número de série:  
 Til følgende serienummer:  
 Seuraavaan valmistusnumeroon asti, No.:  
 AII 286 499

From following serial No. onwards:  
 Geldig vanaf volgend serienummer:  
 Fr.o.m. tillverkningsnummer:  
 Gültig ab Seriennummer:  
 Valable à partir du numéro de série suivant:  
 A partir del siguiente número de serie:  
 Dai seguenti numeri di serie in avanti:  
 Gælder fra følgende serienumre:  
 A partir do número de série:  
 Fra og med følgende serienummer:  
 Alkaen valmistusnumerosta:  
 AII 286 500

Ref.	Part number	Qty	Name	Remarks	Ref.	Part number	Qty	Name	Remarks
1005	<<<< >>>>	1	<b>Air dryer</b>		1005	<<<< >>>>	1	<b>Air dryer</b>	
1006		1	Trafokit		1006		1	Trafokit	
	1603 0721 00		400-500V/50Hz			1603 0721 01		ID44 380-440-460-575V/60Hz	
	1603 0721 01		ID44 380-440-460-575V/60Hz			1603 0721 03		ID44-66-77 380-690V/50Hz	
	1603 0721 02		ID66-77 380-440-460-575V/60Hz			1603 0721 05		ID44-66-77 400V	
1015		1	Baffle			1603 0721 04		ID44-66-77 400-415V/60Hz	
	1622 0134 00		GA11, GA15, GA18, GA22			1603 0721 00		ID44-66-77 500V	
	1622 0135 00		GA30C			1603 0721 02		ID66-77 380-440-460-575V/60Hz	
1020		1	Contactora		1015		1	Baffle	
	1089 9415 11		GA11, GA15, GA18, GA22			1622 0134 00		GA 11, GA 15, GA 18, GA 22	
			230-440V/50Hz			1622 0135 00		GA 30C	
1025	<<<< >>>>	1	<b>Dryer rail</b>		1025	<<<< >>>>	1	<b>Dryer rail</b>	
1100		1	Fuse link		2015	1619 2765 01	3	Screw	
	1089 9168 54		GA11, GA15, GA18, GA22		2025	1619 2766 00	4	Bolt	
			460V/60Hz CSA/UL		2030	1622 0073 00	1	Hose assembly	
	1089 9168 62		GA11, GA15, GA18, GA22		2035	2250 4983 00	2	Nipple	
			200-230V/60Hz CSA/UL		2040	0661 1000 44	2	Seal washer	
	1089 9168 62		575V/60Hz CSA/UL		2042	1622 0076 10	1	Pipe	
	1089 9168 62		GA30C 460V/60Hz CSA/UL		2043	0686 3716 01	1	Hexagon plug	
1105		1	Label		2044	0661 1000 38	1	Seal washer	
	1079 9921 83		GA11, GA15, GA18, GA22		2045	0147 1961 84	2	Hexagon bolt	
			200-230V/60Hz CSA/UL		2050	0300 0274 34	2	Washer	
	1079 9921 83		GA11, GA15, GA18, GA22		2060	0581 0000 55	1	Pipe coupling	
			575V/60Hz CSA/UL		2070	0581 0000 33	1	Coupling	
	1079 9921 83		GA30C 575V/60Hz CSA/UL		2075	0653 1046 00	1	Flat gasket	
	1079 9921 83		GA30C 460V/60Hz CSA/UL						
	1079 9921 84		GA11, GA15, GA18, GA22						
			460V/60Hz CSA/UL						
2015	1619 2765 01	3	Screw						
2025	1619 2766 00	4	Bolt						
2030	1622 0073 00	1	Hose assembly						
2035	2250 4983 00	2	Nipple						
2040	0661 1000 44	2	Seal washer						
2042	1622 0076 10	1	Pipe						
2043	0686 3716 01	1	Hexagon plug						
2044	0661 1000 38	1	Seal washer						
2045	0147 1961 84	2	Hexagon bolt						
2050	0300 0274 34	2	Washer						
2060	0581 0000 55	1	Pipe coupling						
2070	0581 0000 33	1	Coupling						
2075	0653 1046 00	1	Flat gasket						



# 13



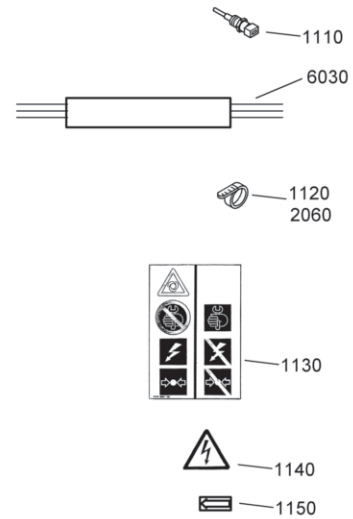
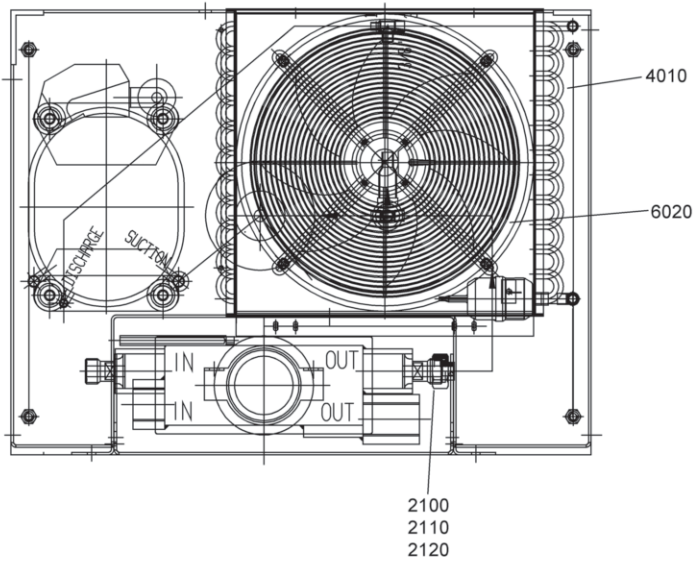
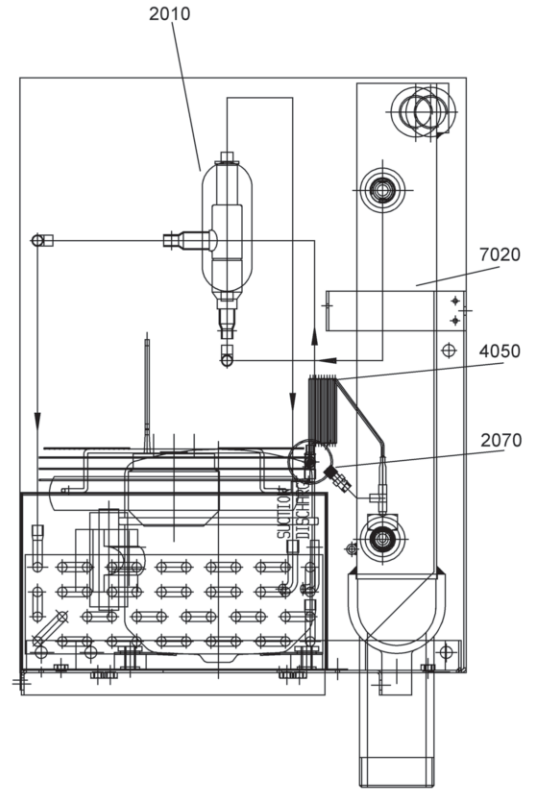
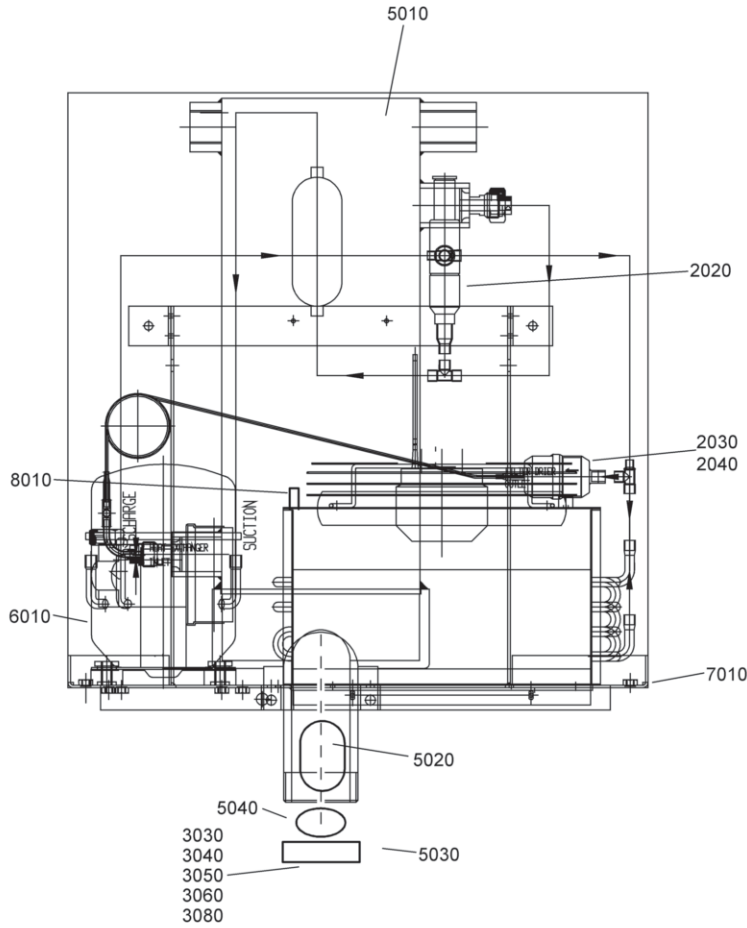
61115\_17

## Air dryer - 1)

Ref.	Part number	Qty	Name	Remarks	Ref.	Part number	Qty	Name	Remarks
		<b>1</b>	<b>Air dryer</b>		<b>5020</b>	<b>1613 9227 80</b>	<b>1</b>	<b>Drain assy</b>	
	<b>8092 3062 82</b>		GA11 200-220V/50Hz-JPN ,			2901 0712 00	1	Drain valve kit	
	<b>8092 3060 81</b>		GA11 200-220V/60Hz-CSA/UL ,		5030	1617 2372 00	1	Connection drain	
	<b>8092 3060 80</b>		GA11 230V/50Hz,		5040	0663 7137 00	1	O-ring	
	<b>8092 3060 84</b>		GA11 440V/60Hz-CSA/UL ,		6010		1	Refrig.compressor	
	<b>8092 3062 82</b>		GA15 200-220V/50Hz-JPN			1617 1483 05		GA11, GA15	230V/50Hz
	<b>8092 3060 81</b>		GA15 200-220V/60Hz-CSA/UL			1617 1483 07		GA11, GA15	200-220V/60Hz-CSA/UL
	<b>8092 3060 80</b>		GA15 230V/50Hz			1617 1483 06		GA11, GA15	200-220V/50Hz-JPN
	<b>8092 3060 84</b>		GA15 440V/60Hz-CSA/UL			1617 1494 20		GA11, GA15	440V/60Hz-CSA/UL
	<b>8092 3061 82</b>		GA18 200-220V/50Hz-JPN ,			1617 1494 01		GA18, GA22	230V/50Hz
	<b>8092 3061 81</b>		GA18 200-220V/60Hz-CSA/UL ,			1617 1494 03		GA18, GA22	200-220V/60Hz-CSA/UL
	<b>8092 3061 80</b>		GA18 230V/50Hz,			1617 1494 14		GA18, GA22	200-220V/50Hz-JPN
	<b>8092 3061 84</b>		GA18 440V/60Hz-CSA/UL ,			1617 1494 19		GA18, GA22	440V/60Hz-CSA/UL
	<b>8092 3061 82</b>		GA22 200-220V/50Hz-JPN			1617 1494 16		GA30C	230V/50Hz
	<b>8092 3061 81</b>		GA22 200-220V/60Hz-CSA/UL			1617 1494 18		GA30C	200-220V/60Hz-CSA/UL
	<b>8092 3061 80</b>		GA22 230V/50Hz			1617 1494 17		GA30C	200-220V/50Hz-JPN
	<b>8092 3061 84</b>		GA22 440V/60Hz-CSA/UL				1	Fan assy	
	<b>8092 3062 82</b>		GA30C 200-220V/50Hz-JPN		6020	1617 2770 81		230V/50Hz	
	<b>8092 3062 81</b>		GA30C 200-220V/60Hz-CSA/UL			1617 2770 82		200-220V/60Hz-CSA/UL	
	<b>8092 3062 80</b>		GA30C 230V/50Hz			1617 2770 84		440V/60Hz-CSA/UL	
1110	1617 3077 81	1	Temp. sensor					Wiring	
1120	1088 1301 01	8	Cable tie		6030	1617 3092 00		GA11, GA15	
1130	1079 9901 09	1	Decal			1617 3093 00		GA11, GA15	(C, U)
1140	1088 1001 01	1	Warning mark			1617 3094 00		GA18, GA22	(C, U)
1150	1617 2385 00	1	Rotation arrow			1617 3095 00		GA18, GA22	(C, U)
2010	1617 1505 02	1	Accumulator			1617 3096 00		GA30C	
2020	1617 1524 01	1	Hot gas bypass valve			1617 3097 00		GA30C	(C, U)
2030	1617 1322 02	1	Filter-dryer		7010	1617 2308 00	1	Frame	
2040	0348 0110 03	1	Anchor		7020	1617 2309 00	1	Bracket	
2060	0348 0101 13	1	Cable tie		8010	1089 9214 26	1	Fan switch	
2070	1619 5563 02	1	Schrädervalue						
2100	1617 0056 00	1	Sleeve						
2110	1617 0057 00	2	Ring						
2120	1617 0058 00	1	Nut						
3030	0581 0000 35	1	Straight coupling		1)			Up to serial No. :	
3040	0661 1000 25	2	Seal washer					Tot serienummer:	
3050	0070 6002 05	AR	Plastic tube					T.o.m. tillverkningsnummer:	
3060	0070 6002 04	AR	Plastic tube					Bis Seriennummer:	
3080	0581 0000 34	1	Straight coupling					Jusqu'au numéro de série:	
4010		1	Condensor					Hasta el número de serie:	
	1617 2283 00		GA11, GA15					Fino al numeri di serie:	
	1617 2288 00		GA18, GA22					Gælder til følgende serienumre:	
	1617 2295 00		GA30C					Até o número de série:	
4050		1	Cappillary tube assy					Til følgende serienummer:	
	1617 1415 93		GA11, GA15					Seuraavaan valmistusnumeroon asti, No.:	
	1617 1415 94		GA18, GA22					AII 286 499	
	1617 1415 95		GA30C						
5010		1	Heat exchanger						
	1617 2491 00		GA11, GA15						
	1617 2492 00		GA18, GA22, GA30C						



# 14

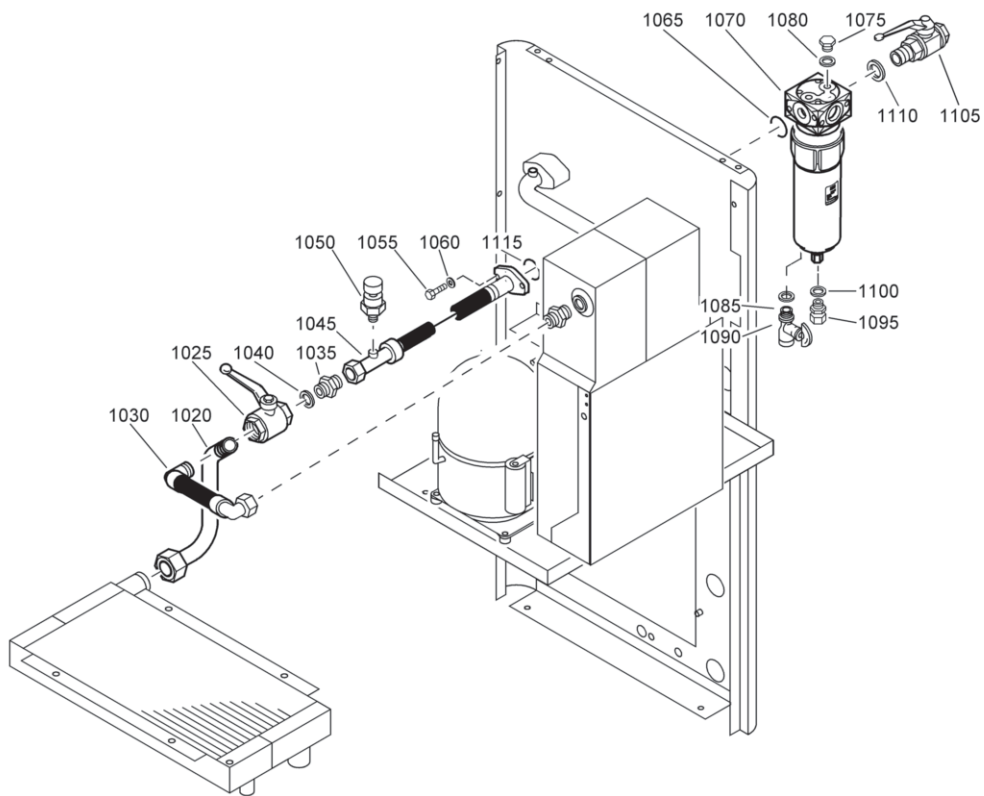


61115\_17

## Air dryer - 2)

Ref.	Part number	Qty	Name	Remarks	Ref.	Part number	Qty	Name	Remarks
		<b>1</b>	<b>Air dryer</b>		<b>5020</b>	<b>1613 9227 80</b>	<b>1</b>	<b>Drain assy</b>	
	<b>8092 3062 82</b>		GA11 200-220V/50Hz JPN			2901 0712 00	1	Drain valve kit	
	<b>8092 3060 81</b>		GA11 200-220V/60Hz CSA/UL		5030	1617 2372 00	1	Connection drain	
	<b>8092 3060 80</b>		GA11 230V/50Hz		5040	0663 7137 00	1	O-ring	
	<b>8092 3062 82</b>		GA15 200-220V/50Hz JPN		6010		1	Refrig.compressor	
	<b>8092 3060 81</b>		GA15 200-220V/60Hz CSA/UL			1617 1483 05		GA 11, GA 15 230V/50Hz	
	<b>8092 3060 80</b>		GA15 230V/50Hz			1617 1483 07		GA 11, GA 15 200-220V/ 60Hz CSA/UL	
	<b>8092 3061 82</b>		GA18 200-220V/50Hz JPN			1617 1483 06		GA 11, GA 15 200-220V/ 50Hz JPN	
	<b>8092 3061 81</b>		GA18 200-220V/60Hz CSA/UL			1617 1494 20		GA 11, GA 15 440V/60Hz CSA/UL	
	<b>8092 3061 80</b>		GA18 230V/50Hz			1617 1494 01		GA 18, GA 22 230V/50Hz	
	<b>8092 3061 82</b>		GA22 200-220V/50Hz JPN			1617 1494 03		GA 18, GA 22 200-220V/ 60Hz CSA/UL	
	<b>8092 3061 81</b>		GA22 200-220V/60Hz CSA/UL			1617 1494 14		GA 18, GA 22 200-220V/ 50Hz JPN	
	<b>8092 3061 80</b>		GA22 230V/50Hz			1617 1494 19		GA 18, GA 22 440V/60Hz CSA/UL	
	<b>8092 3062 82</b>		GA30C 200-220V/50Hz JPN			1617 1494 16		GA 30C 230V/50Hz	
	<b>8092 3062 81</b>		GA30C 200-220V/60Hz CSA/UL			1617 1494 18		GA 30C 200-220V/ 60Hz CSA/UL	
	<b>8092 3062 80</b>		GA30C 230V/50Hz			1617 1494 17		GA 30C 200-220V/ 50Hz JPN	
1110	1617 3077 81	1	Temp. sensor				1	Fan assy	
1120	1088 1301 01	8	Cable tie		6020		1	230V/50Hz	
1130	1079 9901 09	1	Decal			1617 2770 81		200-220V/60Hz CSA/UL	
1140	1088 1001 01	1	Warning mark			1617 2770 82		440V/60Hz CSA/UL	
1150	1617 2385 00	1	Rotation arrow			1617 2770 84		Wiring	
2010	1617 1505 02	1	Accumulator		6030		1	GA 11, GA 15	
2020	1617 1524 01	1	Hot gas bypass valve			1617 3092 00		GA 11, GA 15 CSA/UL	
2030	1617 1322 02	1	Filter-dryer			1617 3093 00		GA 18, GA 22	
2040	0348 0110 03	1	Anchor			1617 3094 00		GA 18, GA 22	
2060	0348 0101 13	1	Cable tie			1617 3095 00		GA 18, GA 22 CSA/UL	
2070	1619 5563 02	1	Schrädervalue			1617 3096 00		GA 30C	
2100	1617 0056 00	1	Sleeve			1617 3097 00		GA 30C CSA/UL	
2110	1617 0057 00	2	Ring		7010	1617 2308 00	1	Frame	
2120	1617 0058 00	1	Nut		7020	1617 2309 00	1	Bracket	
3030	0581 0000 35	1	Straight coupling		8010	1089 9214 26	1	Fan switch	
3040	0661 1000 25	2	Seal washer						
3050	0070 6002 05	AR	Plastic tube		2)				From following serial No. onwards: Geldig vanaf volgend serienummer: Fr.o.m. tillverkningsnummer: Gültig ab Seriennummer: Valable à partir du numéro de série suivant: A partir del siguiente número de serie: Dai seguenti numeri di serie in avanti: Gælder fra følgende serienumre: A partir do número de série: Fra og med følgende serienummer: Alkaen valmistusnumerosta AII 286 500
3060	0070 6002 04	AR	Plastic tube						
3080	0581 0000 34	1	Straight coupling						
4010		1	Condensor						
	1617 2283 00		GA 11, GA 15						
	1617 2288 00		GA 18, GA 22						
	1617 2295 00		GA 30C						
4050		1	Cappillary tube assy						
	1617 1415 93		GA 11, GA 15						
	1617 1415 94		GA 18, GA 22						
	1617 1415 95		GA 30C						
5010		1	Heat exchanger						
	1617 2491 00		GA 11, GA 15						
	1617 2492 00		GA 18, GA 22, GA 30C						

# 15



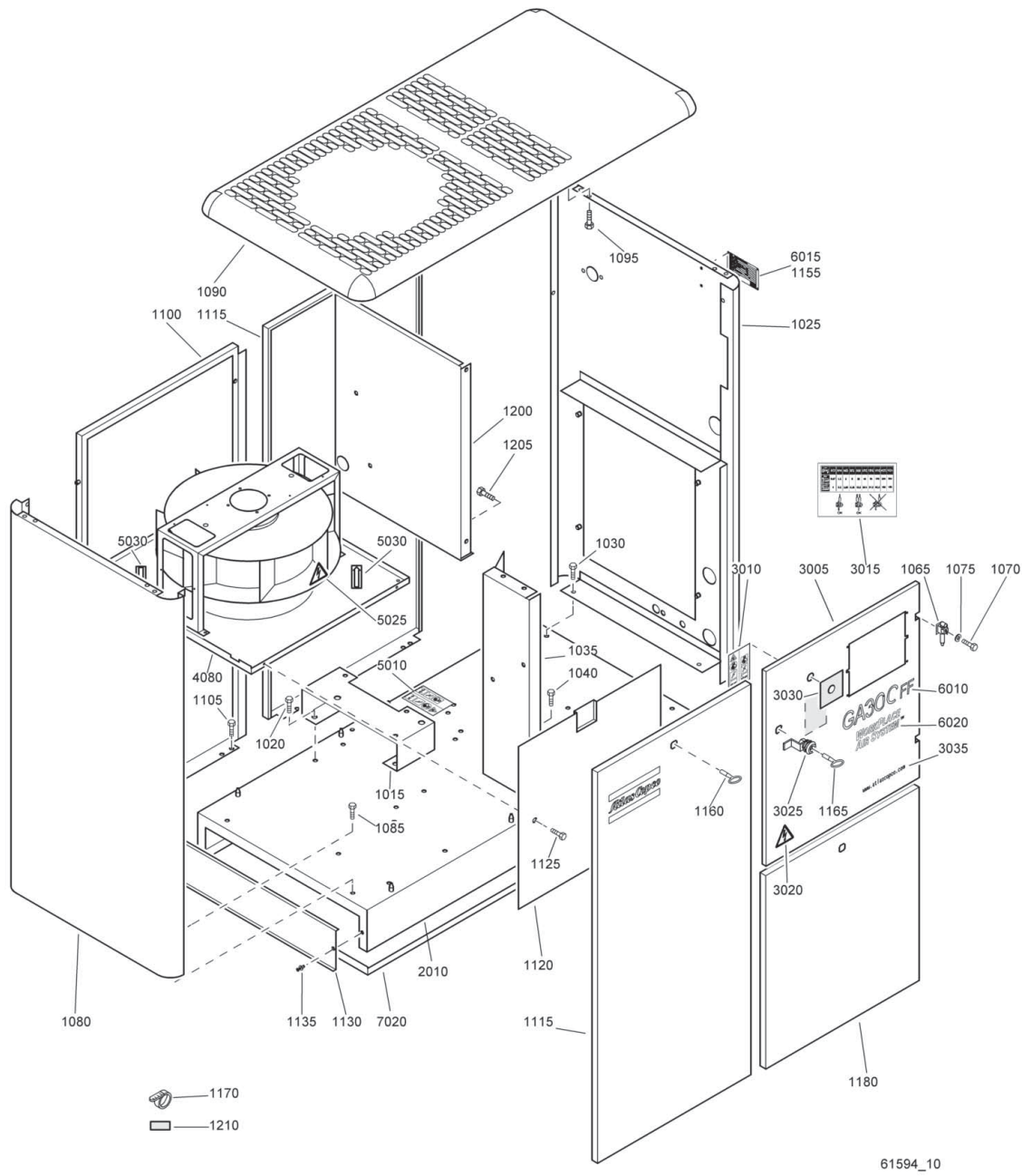
61592\_03

**By-pass dryer - Pack FF / Workplace FF**

Ref.	Part number	Qty	Name	Remarks	Ref.	Part number	Qty	Name	Remarks
	<b>8092 2455 24</b>	<b>1</b>	<b>Dryer bypass</b>		1070	1613 8224 80 •	1	WSD 25	
1020	1622 0143 00 •	1	Pipe		1075	0686 3716 01 •	2	Hexagon plug	
1025	1613 7764 01 •	1	Ball valve		1080	0661 1000 38 •	2	Seal washer	
1030	1622 0142 00 •	1	Hose assembly		1085	0605 8300 35 •	1	Bushing	
1035	2250 4983 00 •	1	Nipple		1090	1619 7336 00 •	1	Cock	
1040	0661 1000 44 •	1	Seal washer		1095	0581 0000 35 •	1	Coupling	
1045	1622 0141 00 •	1	Hose assembly		1100	0661 1000 38 •	1	Seal washer	
1050	1089 0575 51 •	1	Press.transducer		1105	0852 0010 15 •	1	Ball valve	
1055	0147 1325 03 •	2	Hexagon bolt		1110	0661 1000 44 •	1	Seal washer	
1060	0301 2335 00 •	2	Washer		1115	0663 3129 00 •	1	O-ring	
1065	0663 3133 00 •	1	O-ring						

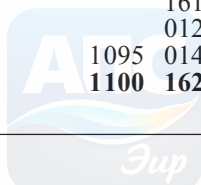
# 16

## Bodywork - 1)



61594\_10

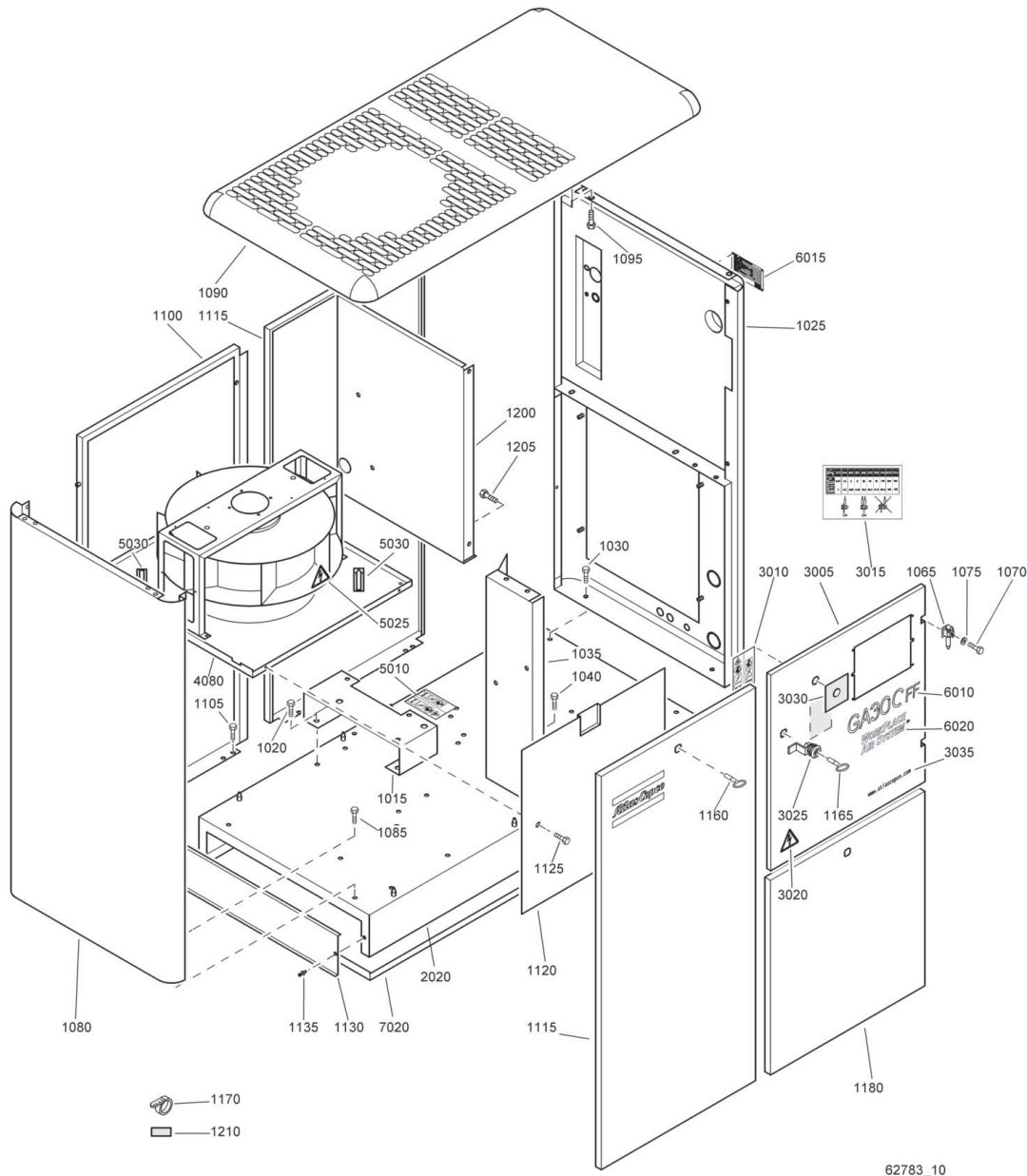
Ref.	Part number	Qty	Name	Remarks	Ref.	Part number	Qty	Name	Remarks
1015	1622 0136 00	1	Support		1055	0147 1963 08	6	Hexagon bolt	
1020	1619 2766 00	4	Bolt		1065	1202 6400 00	2	Hinge	
<b>1025</b>	<b>1622 0116 80</b>	<b>1</b>	<b>Panel assembly 3)</b>		1070	0147 1244 03	2	Hexagon bolt	
		• 1	Label		1075	0301 2321 00	2	Washer	
	1079 9915 89		Automatic waterdrain		<b>1080</b>	<b>1622 0115 80</b>	<b>1</b>	<b>Panel assembly 3)</b>	
		• 1	Label		1085	1619 2766 00	2	Bolt	
	1079 9915 98		Manual waterdrain		<b>1090</b>	<b>1622 0536 80</b>	<b>1</b>	<b>Roof assembly 3)</b>	
1030	1619 2766 00	2	Bolt			1613 9963 00	• 4	Corner	
1035	1622 0363 00	1	Support			0129 3174 00	• 8	Blind rivet	
1040	1619 2766 00	2	Bolt		1095	0147 1963 08	5	Hexagon bolt	
1050	0147 1963 08	4	Hexagon bolt		<b>1100</b>	<b>1622 0537 80</b>	<b>1</b>	<b>Plate assembly 3)</b>	



Ref.	Part number	Qty	Name	Remarks	Ref.	Part number	Qty	Name	Remarks
1105	1619 2766 00	1	Bolt		1622 0103 34			GA30C 575V/60Hz CSA/UL	
1110	0147 1963 08	4	Hexagon bolt					<b>Pack/Pack Full-feature</b>	
<b>1115</b>	<b>1622 0126 80</b>	<b>2</b>	<b>Panel assembly</b>	3)	1622 0104 11			GA11 200-220V/60Hz CSA/UL	
	1513 0431 00	• 1	Door lock		1622 0104 13			GA11 220-230V/440-460/60Hz CSA/UL	
	1616 2987 00	• 2	Plug		1622 0104 02			GA11 230-400V/50Hz	
	0690 1116 01	• 1	House mark		1622 0104 14			GA11 575V/60Hz CSA/UL	
<b>1120</b>	<b>1622 0119 80</b>	<b>1</b>	<b>Panel assembly</b>	3)	1622 0104 11			GA15 200-220V/60Hz CSA/UL	
	1079 9901 18	• 1	Warning label		1622 0104 13			GA15 220-230V/440-460/60Hz CSA/UL	
	1619 2665 00	• AR	Seal		1622 0104 02			GA15 230-400V/50Hz	
1125	1619 2766 00	2	Bolt		1622 0104 14			GA15 575V/60Hz CSA/UL	
<b>1130</b>	<b>1622 0114 80</b>	<b>2</b>	<b>Panel assembly</b>	3)	1622 0104 11			GA18 200-220V/60Hz CSA/UL	
1135	1615 8384 00	4	Rivet		1622 0104 13			GA18 220-230V/440-460/60Hz CSA/UL	
1140	0266 2110 00	1	Nut		1622 0104 02			GA18 230-400V/50Hz	
1145	0333 3227 00	1	Lock washer		1622 0104 14			GA18 575V/60Hz CSA/UL	
1150	0301 2335 00	1	Washer		1622 0104 11			GA22 200-220V/60Hz CSA/UL	
1155	0129 3103 00	4	Blind rivet		1622 0104 13			GA22 220-230V/440-460/60Hz CSA/UL	
1160	1089 9068 01	2	Key		1622 0104 02			GA22 230-400V/50Hz	
1165	1089 9154 02	1	Key		1622 0104 14			GA22 575V/60Hz CSA/UL	
1170	1088 1301 02	1	Cable strip		1622 0104 11			GA22 200-220V/60Hz CSA/UL	
1175	0147 1963 08	4	Hexagon bolt		1622 0104 13			GA22 220-230V/440-460/60Hz CSA/UL	
<b>1180</b>	<b>1622 0397 80</b>	<b>1</b>	<b>Door panel assy</b>	3)	1622 0104 02			GA22 230-400V/50Hz	
	1616 2987 00	• 1	Plug		1622 0104 14			GA22 575V/60Hz CSA/UL	
	1513 0431 00	• 1	Door lock		1622 0103 33			GA30C 220-230/440-460V/60Hz CSA/UL	
<b>1200</b>	<b>1622 0535 80</b>	<b>1</b>	<b>Baffle assembly</b>	3)	1622 0103 22			GA30C 230-400V/50Hz	
1205	0147 1963 08	2	Hexagon bolt		1622 0103 34			GA30C 575V/60Hz CSA/UL	
1210	1619 3843 00	AR	Seal		5010 1079 9903 48	2		Warning label	
2010	1622 0113 10	1	Frame		5025 1088 1001 01	2		Warning mark	
	<b>1622 0199 80</b>	<b>1</b>	<b>Door assembly</b>	3)	5030 1503 0786 00	2		Rotation arrow	
3005	1622 0199 00	• 1	Door panel		6010		1	Decal	
3010	1079 9903 48	• 1	Warning label		1613 9027 15			GA11	
3015	1079 9906 09	• 1	Label		1613 9027 19			GA11 FF	
3020	1088 1001 03	• 1	Warning mark		1613 9027 16			GA15	
3025	1619 7705 00	• 1	Lock		1613 9027 20			GA15 FF	
3030	1613 9028 00	• 1	Decal		1613 9027 17			GA18	
3035	1079 9920 93	• 1	Label		1613 9027 21			GA18 FF	
4080		1	Fan assy		1613 9027 18			GA22	
			<b>WorkPlace / WorkPlace Full-feature</b>		1613 9027 22			GA22 FF	
	1622 0103 11		GA11 200-220V/60Hz CSA/UL		1613 9027 31			GA30C	
	1622 0103 13		GA11 220-230V/440-460/60Hz CSA/UL		1613 9027 32			GA30C FF	
	1622 0103 02		GA11 230-400V/50Hz		6015		1	Data plate bar	
	1622 0103 14		GA11 575V/60Hz CSA/UL		1614 5933 00			psi	
	1622 0103 11		GA15 200-220V/60Hz CSA/UL		1622 0395 00				
	1622 0103 13		GA15 220-230V/440-460/60Hz CSA/UL		6020 1613 9846 00	1		Decal WorkPlace	
	1622 0103 02		GA15 230-400V/50Hz		7020 1622 0144 00	1		Oil containing frame	
	1622 0103 14		GA15 575V/60Hz CSA/UL						
	1622 0103 11		GA18 200-220V/60Hz CSA/UL						
	1622 0103 13		GA18 220-230V/440-460/60Hz CSA/UL						
	1622 0103 02		GA18 230-400V/50Hz						
	1622 0103 14		GA18 575V/60Hz CSA/UL						
	1622 0103 11		GA22 200-220V/60Hz CSA/UL						
	1622 0103 13		GA22 220-230V/440-460/60Hz CSA/UL						
	1622 0103 02		GA22 230-400V/50Hz						
	1622 0103 14		GA22 575V/60Hz CSA/UL						
	1622 0103 33		GA30C 220-230/440-460V/60Hz CSA/UL	3)					
	1622 0103 22		GA30C 230-400V/50Hz						

# 17

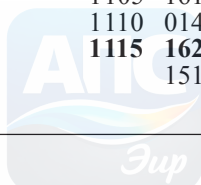
## Bodywork - 2)



62783\_10

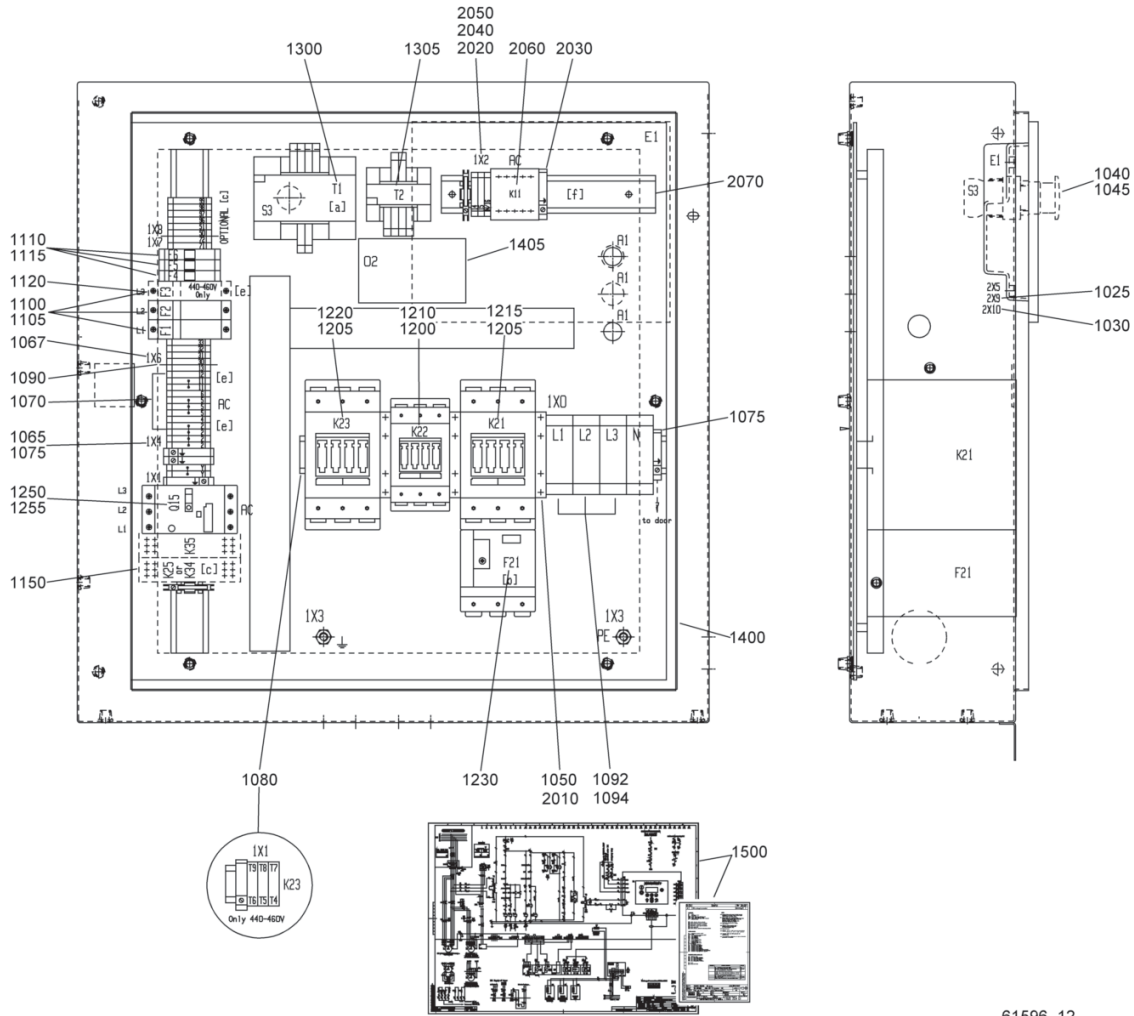
62783\_10

Ref.	Part number	Qty	Name	Remarks	Ref.	Part number	Qty	Name	Remarks
1015	1622 0136 00	1	Support		1070	0147 1244 03	2	Hexagon bolt	
1020	1619 2766 00	4	Bolt		1075	0301 2321 00	2	Washer	
<b>1025</b>	<b>1622 0116 82</b>	<b>1</b>	<b>Panel assembly 3)</b>		<b>1080</b>	<b>1622 0115 80</b>	<b>1</b>	<b>Panel assembly 3)</b>	
		• 1	Label		1085	1619 2766 00	2	Bolt	
	1079 9915 89		Automatic waterdrain		<b>1090</b>	<b>1622 0536 80</b>	<b>1</b>	<b>Roof assembly 3)</b>	
		• 1	Label			1613 9963 00	• 4	Corner	
	1079 9915 98		Manual waterdrain			0129 3174 00	• 8	Blind rivet	
1030	1619 2766 00	2	Bolt		1095	0147 1963 08	5	Hexagon bolt	
1035	1622 0363 00	1	Support		<b>1100</b>	<b>1622 0537 80</b>	<b>1</b>	<b>Plate assembly 3)</b>	
1040	1619 2766 00	2	Bolt		1105	1619 2766 00	1	Bolt	
1050	0147 1963 08	4	Hexagon bolt		1110	0147 1963 08	4	Hexagon bolt	
1055	0147 1963 08	6	Hexagon bolt		<b>1115</b>	<b>1622 0126 80</b>	<b>2</b>	<b>Panel assembly 3)</b>	
1065	1202 6400 00	2	Hinge			1513 0431 00	• 1	Door lock	



Ref.	Part number	Qty	Name	Remarks	Ref.	Part number	Qty	Name	Remarks
	1616 2987 00	• 2	Plug					<b>Elektronikon II</b>	
	0690 1116 01	• 1	House mark		1622 0706 02			GA 11 230-400V/50Hz	
<b>1120</b>	<b>1622 0119 80</b>	<b>1</b>	<b>Panel assembly</b>	3)	1622 0103 11			GA 11 200-220V/60Hz	
	1079 9901 18	• 1	Warning label					CSA/UL	
	1619 2665 00	• AR	Seal		1622 0103 13			GA 11 220-230V/440-460/	
1125	1619 2766 00	2	Bolt					60Hz CSA/UL	
<b>1130</b>	<b>1622 0114 80</b>	<b>2</b>	<b>Panel assembly</b>	3)	1622 0103 14			GA 11 575V/60Hz CSA/UL	
1135	1615 8384 00	4	Rivet		1622 0706 02			GA 15 230-400V/50Hz	
1140	0266 2110 00	1	Nut		1622 0103 11			GA 15 200-220V/60Hz	
1145	0333 3227 00	1	Lock washer					CSA/UL	
1150	0301 2335 00	1	Washer		1622 0103 13			GA 15 220-230V/440-460/	
1155	0129 3103 00	4	Blind rivet					60Hz CSA/UL	
1160	1089 9068 01	2	Key		1622 0103 14			GA 15 575V/60Hz CSA/UL	
1165	1089 9154 02	1	Key		1622 0706 02			GA 18 230-400V/50Hz	
1170	1088 1301 02	1	Cable strip		1622 0103 11			GA 18 200-220V/60Hz	
1175	0147 1963 08	4	Hexagon bolt					CSA/UL	
<b>1180</b>	<b>1622 0397 80</b>	<b>1</b>	<b>Door panel assy</b>	3)	1622 0103 13			GA 18 220-230V/440-460/	
	1616 2987 00	• 1	Plug					60Hz CSA/UL	
	1513 0431 00	• 1	Door lock		1622 0103 14			GA 18 575V/60Hz CSA/UL	
<b>1200</b>	<b>1622 0535 80</b>	<b>1</b>	<b>Baffle assembly</b>	3)	1622 0706 02			GA 22 230-400V/50Hz	
1205	0147 1963 08	2	Hexagon bolt		1622 0103 11			GA 22 200-220V/60Hz	
1210	1619 3843 00	AR	Seal					CSA/UL	
2010	1622 0113 10	1	Frame		1622 0103 13			GA 22 220-230V/440-460/	
	<b>1622 0199 80</b>	<b>1</b>	<b>Door assembly</b>	3)				60Hz CSA/UL	
3005	1622 0199 00	• 1	Door panel		1622 0103 14			GA 22 575V/60Hz CSA/UL	
3010	1079 9903 48	• 1	Warning label		1622 0103 22			GA 30C 230-400V/50Hz	
3015	1079 9906 09	• 1	Label		1622 0103 33			GA 30C 220-230/440-460V/	
3020	1088 1001 03	• 1	Warning mark					60Hz CSA/UL	
3025	1619 7705 00	• 1	Lock		1622 0103 34			GA 30C 575V/60Hz CSA/UL	
3030	1613 9028 00	• 1	Decal		5010 1079 9903 48	2		Warning label	
3035	1079 9920 93	• 1	Label		5025 1088 1001 01	2		Warning mark	
4080		1	Fan assy		5030 1503 0786 00	2		Rotation arrow	
			WorkPlace / WorkPlace		6010	1		Decal	
			Full-feature					GA11	
			<b>Elektronikon I</b>		1613 9027 15			GA11 FF	
	1622 0104 02		GA 11 230-400V/50Hz		1613 9027 19			GA15	
	1622 0104 11		GA 11 200-220V/60Hz		1613 9027 16			GA15 FF	
			CSA/UL		1613 9027 20			GA18	
	1622 0104 13		GA 11 220-230V/440-460/		1613 9027 17			GA18 FF	
			60Hz CSA/UL		1613 9027 21			GA22	
	1622 0104 14		GA 11 575V/60Hz CSA/UL		1613 9027 18			GA22 FF	
	1622 0104 11		GA 15 200-220V/60Hz		1613 9027 22			GA30C	
			CSA/UL		1613 9027 31			GA30C FF	
	1622 0104 13		GA 15 220-230V/440-460/		1613 9027 32			Data plate	
			60Hz CSA/UL		6015 1614 5933 00	1		bar	
	1622 0104 14		GA 15 575V/60Hz CSA/UL		1622 0395 00			psi	
	1622 0104 02		GA 18 230-400V/50Hz		6020 1613 9846 00	1		Decal WorkPlace	
	1622 0104 13		GA 18 220-230V/440-460/		7020 1622 0144 00	1		Oil containing frame	
			60Hz CSA/UL						
	1622 0104 11		GA 18 200-220V/60Hz		2)			From following serial No. onwards:	
			CSA/UL					Geldig vanaf volgend serienummer:	
	1622 0104 14		GA 18 575V/60Hz CSA/UL					Fr.o.m. tillverkningsnummer:	
	1622 0104 02		GA 22 230-400V/50Hz					Gültig ab Seriennummer:	
	1622 0104 11		GA 22 200-220V/60Hz					Valable à partir du numéro de série suivant:	
			CSA/UL					A partir del siguiente número de serie:	
	1622 0104 13		GA 22 220-230V/440-460/					Dai seguenti numeri di serie in avanti:	
			60Hz CSA/UL					Gælder fra følgende serienumre:	
	1622 0104 14		GA 22 575V/60Hz CSA/UL					A partir do número de série:	
	1622 0103 22		GA 30C 230-400V/50Hz					Fra og med følgende serienummer:	
	1622 0103 22		GA 30C 230-400V/50Hz					Alkaen valmistusnumerosta	
	1622 0103 33		GA 30C 220-230/440-460V/					AII 286 500	
			60Hz CSA/UL		3)			Lined with / Bekleed met / Beklädd med / Ausgekleidet	
	1622 0103 33		GA 30C 220-230/440-460V/					mit / Garnir de / Rivestido de / Allineato con / Foret med	
			60Hz CSA/UL					/ Revestido com / Kledd med / Vuorattu :	
	1622 0103 34		GA 30C 575V/60Hz CSA/UL					Foam: 0395 6001 66 (AR) 25 x 2040 x 1650	
	1622 0103 34		GA30C 575V/60Hz CSA/UL						

# 18 Start cubicle - Star/Delta - Elektronikon I - IEC - 1)



61596\_12

61596\_12

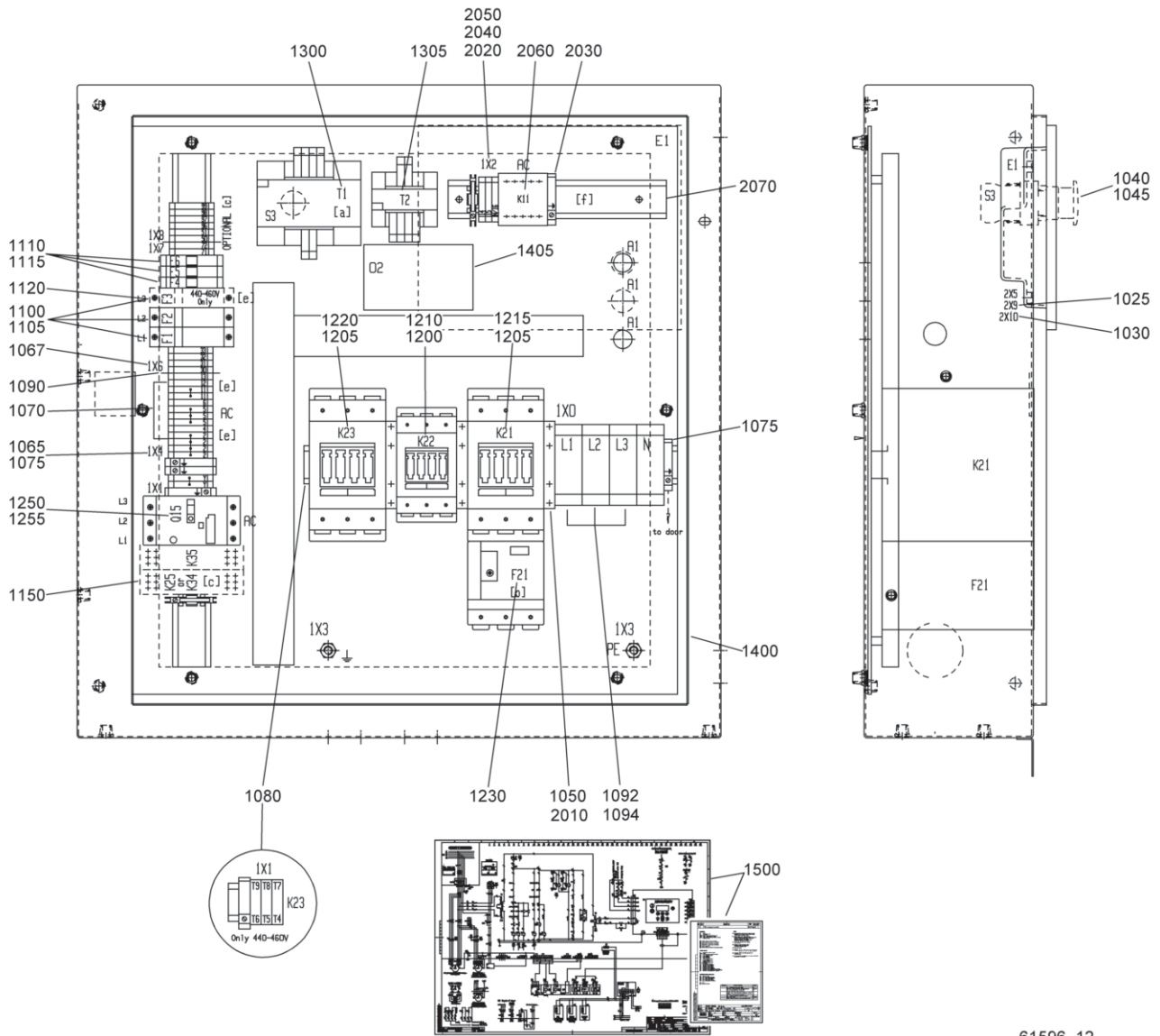
Ref.	Part number	Qty	Name	Remarks	Ref.	Part number	Qty	Name	Remarks
		<b>1</b>	<b>Electr. panel</b>		1045	1089 0362 51	• 1	Push button	
	1900 2051 01		GA11 230V/60Hz		1050		• 1	Terminal	
	1900 2051 21		GA11 380V/60Hz			1089 0506 04		GA11 230V/60Hz	
	1900 2051 02		GA11 400V/50Hz			1089 0506 07		GA11-15 380V/60Hz	
	1900 2051 13		GA11 460V/60Hz	3-phase		1089 0506 07		GA11 400V/50Hz	
				dryer		1089 0506 07		GA11 460V/60Hz	3-phase
	1900 2051 11		GA15 230V/60Hz					dryer	
	1900 2051 21		GA15 380V/60Hz			1089 0506 04		GA15 230V/60Hz	
	1900 2051 04		GA15 400V/50Hz			1089 0506 07		GA15 400V/50Hz	
	1900 2051 14		GA15 460V/60Hz	3-phase		1089 0506 07		GA15-18 460V/60Hz	3-phase
				dryer				dryer	
	1900 2051 05		GA18 230V/60Hz			1089 0506 04		GA18 230V/60Hz	
	1900 2051 22		GA18 380V/60Hz			1089 0506 04		GA18-22 380V/60Hz, GA30C	
	1900 2051 06		GA18 400V/50Hz					460V/60Hz	
	1900 2051 14		GA18 460V/60Hz	3-phase		1089 0506 07		GA18 400V/50Hz	
				dryer		1089 0506 04		GA22 230V/60Hz	
	1900 2051 12		GA22 230V/60Hz			1089 0506 04		GA22 400V/50Hz	
	1900 2051 22		GA22 380V/60Hz			1089 0506 04		GA22 460V/60Hz	3-phase
	1900 2051 08		GA22 400V/50Hz					dryer	
	1900 2051 15		GA22 460V/60Hz	3-phase		1089 0506 04		GA30C 400V/50Hz	
				dryer		1065	1089 0506 64	• 1	Terminal
	1900 2051 10		GA30C 400V/50Hz			1067	1089 0506 63	• 1	Terminal
	1900 2051 22		GA30C 460V/60Hz			1070	1089 0506 62	• 3	Terminal
1025	1088 0031 06	• 1	Connector			1075	1089 0506 27	• 4	Terminal
1030	1088 0031 32	• 1	Connector			1080		•	Terminal
1040	1089 0362 50	• 2	Contact block						



Ref.	Part number	Qty	Name	Remarks	Ref.	Part number	Qty	Name	Remarks
	1089 0506 63	3	GA11 460V/60Hz 3-phase dryer		1200	• 1	Contactors		
	1089 0506 61	1	GA15-18 460V/60Hz 3-phase dryer			1089 9415 21	1	GA11 230V/60Hz	
	1089 0506 61	1	GA22 460V/60Hz 3-phase dryer			1089 9415 21	1	GA11-15 380V/60Hz	
	1089 0506 07	1	GA30C 460V/60Hz 3-phase dryer			1089 9415 30	1	GA11 400V/50Hz	
1090	1089 0506 23	• 1	Barrier			1089 9415 30	1	GA11 460V/60Hz 3-phase dryer	
1092	• 3	Cover				1089 9415 23	1	GA15 230V/60Hz	
	1089 0542 10	• 3	Terminal			1089 9415 21	1	GA15 400V/50Hz	
1094	1089 0506 15	• 3	Terminal			1089 9415 21	1	GA15-18 460V/60Hz 3-phase dryer	
	1089 0506 15	• 3	Terminal			1089 9415 31	1	GA18 230V/60Hz	
1100	1089 0612 01	3	Fuse holder			1089 9415 31	1	GA18-22 380V/60Hz, GA30C 460V/60Hz	
1105	• 1	Fuse				1089 9415 21	1	GA18 400V/50Hz	
	1089 0612 61	2	GA11 230V/60Hz			1089 9415 31	1	GA22 230V/60Hz	
	1089 0612 61	2	GA11-15 380V/60Hz			1089 9415 23	1	GA22 400V/50Hz	
	1089 0612 61	2	GA11 400V/50Hz			1089 9415 23	1	GA22 460V/60Hz 3-phase dryer	
	1089 0612 26	3	GA11 460V/60Hz 3-phase dryer			1089 9415 23	1	GA30C 400V/50Hz	
	1089 0612 61	2	GA15 230V/60Hz		1205	• 2	Contactors		
	1089 0612 61	2	GA15 400V/50Hz			1089 9415 31	1	GA11 230V/60Hz	
	1089 0612 26	3	GA15-18 460V/60Hz 3-phase dryer			1089 9415 23	1	GA11-15 380V/60Hz	
	1089 0612 61	2	GA18 230V/60Hz			1089 9415 22	1	GA11 400V/50Hz	
	1089 0612 61	2	GA18-22 380V/60Hz, GA30C 460V/60Hz			1089 9415 22	1	GA11 460V/60Hz 3-phase dryer	
	1089 0612 61	2	GA18 400V/50Hz			1089 9415 32	1	GA15 230V/60Hz	
	1089 0612 61	2	GA22 230V/60Hz			1089 9415 23	1	GA15 400V/50Hz	
	1089 0612 61	2	GA22 400V/50Hz			1089 9415 23	1	GA15-18 460V/60Hz 3-phase dryer	
	1089 0612 26	3	GA22 460V/60Hz 3-phase dryer			1089 9415 33	1	GA18 230V/60Hz	
	1089 0612 61	2	GA30C 400V/50Hz			1089 9415 32	1	GA18-22 380V/60Hz, GA30C 460V/60Hz	
1110	1089 0506 16	• 3	Fuse terminal			1089 9415 23	1	GA18 400V/50Hz	
1115	1089 9037 09	• 3	Fuse			1089 9415 41	1	GA22 230V/60Hz	
1120	• 1	Fuse				1089 9415 31	1	GA22 400V/50Hz	
	1089 0612 24	• 1	GA11 230V/60Hz			1089 9415 31	1	GA22 460V/60Hz 3-phase dryer	
	1089 0612 24	• 1	GA11-15 380V/60Hz			1089 9415 32	1	GA30C 400V/50Hz	
	1089 0612 24	• 1	GA11 400V/50Hz		1210	• 1	Contact block 1		
	1089 0612 24	• 1	GA15 230V/60Hz		1215	• 1	Contact block 2		
	1089 0612 24	• 1	GA15 400V/50Hz		1220	• 1	Contact block 2		
	1089 0612 24	• 1	GA18 230V/60Hz		1230	• 1	Overload relay		
	1089 0612 24	• 1	GA18-22 380V/60Hz, GA30C 460V/60Hz			1089 9424 38	1	GA11 230V/60Hz	
	1089 0612 24	• 1	GA18 400V/50Hz			1089 9446 06	1	GA11-15 380V/60Hz	
	1089 0612 24	• 1	GA22 230V/60Hz			1089 9424 29	1	GA11 400V/50Hz	
	1089 0612 24	• 1	GA22 400V/50Hz			1089 9424 28	1	GA11 460V/60Hz 3-phase dryer	
	1089 0612 24	• 1	GA30C 400V/50Hz			1089 9424 39	1	GA15 230V/60Hz	
1150	• 1	Phase sequence relay				1089 9424 30	1	GA15 400V/50Hz	
	1089 9461 02	• 1	GA11 230V/60Hz			1089 9424 30	1	GA15-18 460V/60Hz 3-phase dryer	
	1089 9461 03	• 1	GA11-15 380V/60Hz			1089 9424 41	1	GA18 230V/60Hz	
	1089 9461 01	• 1	GA11 400V/50Hz			1089 9446 11	1	GA18-22 380V/60Hz, GA30C 460V/60Hz	
	1089 9461 03	• 1	GA11 460V/60Hz 3-phase dryer			1089 9424 31	1	GA18 400V/50Hz	
	1089 9461 02	• 1	GA15 230V/60Hz			1089 9424 46	1	GA22 230V/60Hz	
	1089 9461 01	• 1	GA15 400V 50Hz			1089 9424 38	1	GA22 400V/50Hz	
	1089 9461 03	• 1	GA15-18 460V/60Hz 3-phase dryer			1089 9424 38	1	GA22 460V/60Hz 3-phase dryer	
	1089 9461 01	• 1	GA18 230V/60Hz			1089 9424 40	1	GA30C 400V/50Hz	
	1089 9461 03	• 1	GA18-22 380V/60Hz, GA30C 460V/60Hz		1250	• 1	Aux.contact block		
	1089 9461 01	• 1	GA18 400V/50Hz		1255	• 1	Circuit breaker		
	1089 9461 02	• 1	GA22 230V/60Hz			1089 9416 25	1	GA11 230V/60Hz	
	1089 9461 01	• 1	GA22 400V/50Hz			1089 9416 22	1	GA11-15 380V/60Hz	
	1089 9461 03	• 1	GA22 460V/60Hz 3-phase dryer			1089 9416 22	1	GA11 400V/50Hz	
	1089 9461 01	• 1	GA30C 400V/50Hz			1089 9416 22	1	GA11 460V/60Hz 3-phase dryer	
	1089 9461 01	• 1	GA30C 400V/50Hz			1089 9416 25	1	GA15 230V/60Hz	
	1089 9461 01	• 1	GA30C 400V/50Hz			1089 9416 22	1	GA15 400V/50Hz	
	1089 9461 01	• 1	GA30C 400V/50Hz			1089 9416 22	1	GA15-18 460V/60Hz 3-phase dryer	



# 18



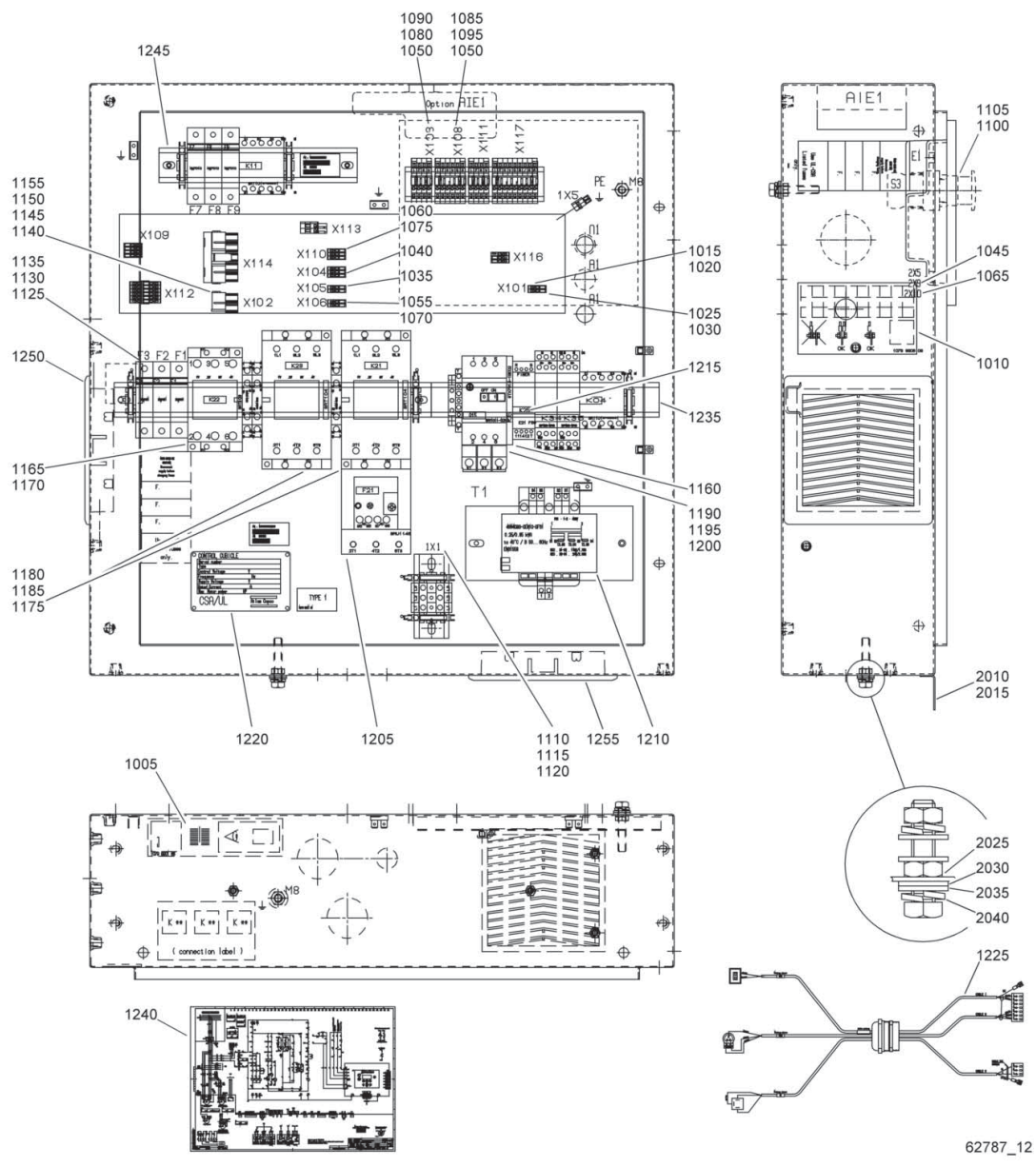
61596\_12

## Start cubicle - Star/Delta - Elektronikon I - IEC - 1)

Ref.	Part number	Qty	Name	Remarks	Ref.	Part number	Qty	Name	Remarks
	1089 9416 25		GA18 230V/60Hz			9820 3554 01		GA18 400V/50Hz	
	1089 9416 22		GA18-22 380V/60Hz, GA30C 460V/60Hz			9820 3554 01		GA22 230V/60Hz	
	1089 9416 21		GA18 400V/50Hz			9820 3554 01		GA22 400V/50Hz	
	1089 9416 25		GA22 230V/60Hz			9820 3554 02		GA22 460V/60Hz 3-phase dryer	
	1089 9416 22		GA22 400V/50Hz			9820 3554 01		GA30C 400V/50Hz	
	1089 9416 22		GA22 460V/60Hz 3-phase dryer				<b>1</b>	<b>Dryer rail</b>	
1300	1089 9416 23	• 1	GA30C 400V/50Hz Transformer			<b>1900 2051 83</b>		GA11-15 FF 200-230V/60Hz	
	1089 9436 02		GA11 230V/60Hz			<b>1900 2051 83</b>		GA11-15 FF 230V/50Hz	
	1089 9436 01		GA11-15 380V/60Hz			<b>1900 2051 84</b>		GA11-15 FF 380V/60Hz with trafo	
	1089 9136 94		GA11 400V/50Hz			<b>1900 2051 80</b>		GA11-15 FF 400V+N/50Hz	
	1089 9436 01		GA11 460V/60Hz 3-phase dryer			<b>1900 2051 82</b>		GA11-15 FF 460V/60Hz 3-phase dryer	
	1089 9436 02		GA15 230V/60Hz			<b>1900 2051 83</b>		GA18-22 FF 200-230V/60Hz	
	1089 9136 94		GA15 400V/50Hz			<b>1900 2051 83</b>		GA18-22 FF 230V/50Hz	
	1089 9436 01		GA15-18 460V/60Hz 3-phase dryer			<b>1900 2051 84</b>		GA18-22 FF 380V/60Hz with trafo	
	1089 9436 02		GA18 230V/60Hz			<b>1900 2051 80</b>		GA18 FF 400V+N/50Hz	
	1089 9436 02		GA18-22 380V/60Hz, GA30C 460V/60Hz			<b>1900 2051 82</b>		GA18-22 FF 460V/60Hz 3-phase dryer	
	1089 9136 94		GA18 400V/50Hz			<b>1900 2051 81</b>		GA22 FF 400V+N/50Hz	
	1089 9436 02		GA22 230V/60Hz			<b>1900 2051 81</b>		GA30C FF 400V+N/50Hz	
	1089 9136 95		GA22 400V/50Hz			<b>1900 2051 82</b>		GA30C FF 460V/60Hz	
	1089 9436 02		GA22 460V/60Hz 3-phase dryer			<b>1900 2051 83</b>		GA30C FF 230V/50Hz	
	1089 9136 95		GA30C 400V/50Hz		2010		• 1	Terminal	
1305	1089 9136 92	• 1	Transformer			1089 0506 06		GA11-15-18 FF 400V+N/50Hz	
1400		• 1	Mounting plate			1089 0506 03		GA22-30C FF 400V+N/50Hz	
	1622 0070 00		GA11 230V/60Hz		2020	1089 0506 27	• 1	Terminal	
	1622 0070 00		GA11-15 380V/60Hz		2030	1089 0506 30	• 1	End bracket	
	1622 0070 00		GA11 400V/50Hz		2040		• 1	Terminal	
	1622 0070 01		GA11 460V/60Hz 3-phase dryer			1089 0506 60		GA22-30C FF 400V+N/50Hz	
	1622 0070 00		GA15 230V/60Hz		2050		• 1	Terminal	
	1622 0070 00		GA15 400V/50Hz			1089 0506 63	1	GA11-15-18 FF 400V+N/50Hz	
	1622 0070 01		GA15-18 460V/60Hz 3-phase dryer			1089 0506 63	1	GA11-15-18-22 FF 460V/60Hz 3-phase dryer	
	1622 0070 00		GA18 230V/60Hz			1089 0506 62	1	GA22-30C FF 400V+N/50Hz	
	1622 0070 00		GA18-22 380V/60Hz, GA30C 460V/60Hz		2060	1089 0506 62	2	FF 200-230V	
	1622 0070 00		GA18 400V/50Hz			1089 0506 62	2	FF with trafo	
	1622 0070 00		GA22 230V/60Hz				• 1	Contactor	
	1622 0070 00		GA22 400V/50Hz			1089 9415 11		GA11-15-18 FF 400V+N/50Hz	
	1622 0070 01		GA22 460V/60Hz 3-phase dryer			1089 9415 11		GA11-15-18-22 FF 460V/60Hz 3-phase dryer	
	1622 0070 00		GA30C 400V/50Hz			1089 9415 11		GA22-30C FF 400V+N/50Hz	
1405	1613 6639 00	• 1	Data plate		2070	1089 9415 12		FF 200-230V	
1500		1	Service diagram			1089 9415 12		FF with trafo	
	9820 3554 01		GA11 230V/60Hz			9139 5000 16	• AR	Rail	
	9820 3554 01		GA11-15 380V/60Hz		1)			Up to serial No. :	
	9820 3554 01		GA11 400V/50Hz					Tot serienummer:	
	9820 3554 02		GA11 460V/60Hz 3-phase dryer					T.o.m. tillverkningsnummer:	
	9820 3554 01		GA15 230V/60Hz					Bis Seriennummer:	
	9820 3554 01		GA15 400V/50Hz					Jusqu'au numéro de série:	
	9820 3554 02		GA15-18 460V/60Hz 3-phase dryer					Hasta el número de serie:	
	9820 3554 01		GA18 230V/60Hz					Fino al numeri di serie:	
	9820 3554 01		GA15 400V/50Hz					Gælder til følgende serienummer:	
	9820 3554 02		GA15-18 460V/60Hz 3-phase dryer					Até o número de série:	
	9820 3554 01		GA18 230V/60Hz					Til følgende serienummer:	
	9820 3554 01		GA18-22 380V/60Hz, GA30C 460V/60Hz					Seuraavaan valmistusnumeroon asti, No.:	
								AII 286 499	

# 19

## Start cubicle - Star / Delta - Elektronikon I - IEC - 2)



62787\_12

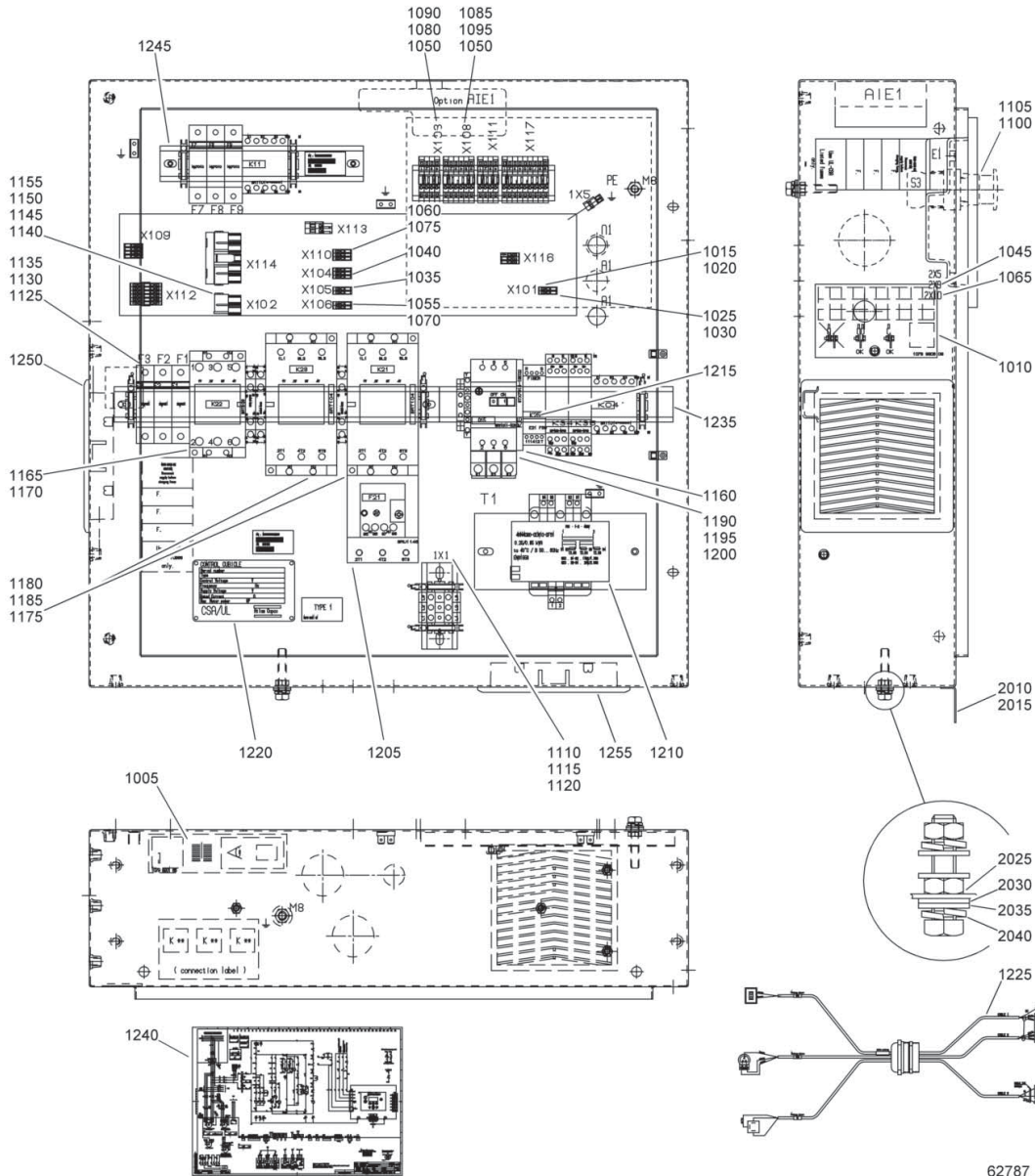
62787\_12

Ref.	Part number	Qty	Name	Remarks	Ref.	Part number	Qty	Name	Remarks
		<b>1</b>	<b>Electr. panel</b>		<b>1900 2057 10</b>	GA 22 380V/50-60Hz			
	1900 2057 09		GA 11 220-230V/50-60Hz		1900 2057 04	GA 22 400V/50Hz			
	1900 2057 07		GA 11 380V/50-60Hz		1900 2057 10	GA 22 440-460V/60Hz 3ph			
	1900 2057 01		GA 11 400V/50Hz		1900 2057 08	GA 22 500V/50Hz			
	1900 2057 07		GA 11 440-460V/60Hz 3ph		1900 2057 25	GA 30C 400V/50Hz HAV			
	1900 2057 06		GA 11 500V/50Hz		1900 2057 35	GA 30C 500V/50Hz			
	1900 2057 09		GA 15 220-230V/60Hz	1005	1079 9901 68	• 1	Warning label		
	1900 2057 08		GA 15 380V/50-60Hz	1010	1079 9906 09	• 1	Label		
	1900 2057 02		GA 15 400V/50Hz	1015	1088 0015 02	• 1	Connector plug		
	1900 2057 07		GA 15 440-460V/60Hz 3ph	1020	1088 0015 16	• 2	Connector pin		
	1900 2057 07		GA 15 500V/50Hz	1025	1088 0015 22	• 1	Connector plug		
	1900 2057 11		GA 18 220-230V/50-60Hz	1030	1088 0015 36	• 2	Connector socket		
	1900 2057 10		GA 18 380V/50-60Hz	1035	1088 0031 02	• 1	Connector		
	1900 2057 03		GA 18 400V/50Hz	1040	1088 0031 03	• 1	Connector		
	1900 2057 08		GA 18 440-460V/60Hz 3ph	1045	1088 0031 06	• 1	Connector		
	1900 2057 08		GA 18 500V/50Hz	1050	1088 0031 18	• 4	Adaptor		
	1900 2057 11		GA 22 220-230V/50-60Hz	1055	1088 0031 22	• 2	Connector		

Ref.	Part number	Qty	Name	Remarks	Ref.	Part number	Qty	Name	Remarks
1060	1088 0031 23	• 1	Connector		1170	• 1	Contact		
1065	1088 0031 32	• 1	Connector		1089 9415 26			GA 11 220-230V/50-60Hz	
1070	1088 0031 82	• 2	Connector		1089 9438 34			GA 11 380V/50-60Hz	
1075	1088 0031 83	• 1	Connector		1089 9438 34			GA 11 440-460V/60Hz 3ph	
1080	1088 0031 84	• 1	Connector		1089 9438 34			GA 11 500V/50Hz	
1085	1088 0031 86	• 1	Connector		1089 9415 26			GA 15 220-230V/60Hz	
1090	1088 0037 04	• 1	Connector		1089 9415 24			GA 15 380V/50-60Hz	
1095	1088 0037 06	• 1	Connector		1089 9415 24			GA 15 400V/50Hz	
1100	1089 0362 50	• 2	Contact block		1089 9438 34			GA 15 440-460V/60Hz 3ph	
1105	1089 0362 51	• 1	Push button		1089 9438 34			GA 15 500V/50Hz	
1110	1089 0506 27	• 1	Terminal		1089 9415 34			GA 18 220-230V/50-60Hz	
1115	1089 0506 30	• 3	End bracket		1089 9415 26			GA 18 380V/50-60Hz	
1120	1089 0506 75	• 1	Terminal		1089 9415 24			GA 18 400V/50Hz	
1125	1089 0612 01	• 3	Fuse holder		1089 9415 24			GA 18 440-460V/60Hz 3ph	
1130	1089 0612 22	• 1	Fuse		1089 9415 24			GA 18 500V/50Hz	
1135	• 2	Fuse			1089 9415 34			GA 22 220-230V/50-60Hz	
	1089 0612 23		GA 11 220-230V/50-60Hz		1089 9415 26			GA 22 380V/50-60Hz	
	1089 0612 23		GA 11 380V/50-60Hz		1089 9415 26			GA 22 400V/50Hz	
	1089 0612 23		GA 11 400V/50Hz		1089 9415 26			GA 22 440-460V/60Hz 3ph	
	1089 0612 23		GA 11 440-460V/60Hz 3ph		1089 9415 24			GA 22 500V/50Hz	
	1089 0612 23		GA 11 500V/50Hz		1089 9415 26			GA 30C 400V/50Hz HAV	
	1089 0612 23		GA 15 220-230V/60Hz		1089 9415 34			GA 30C 500V/50Hz	
	1089 0612 23		GA 15 380V/50-60Hz		1175	• 2	Contact		
	1089 0612 23		GA 15 400V/50Hz		1089 9415 34			GA 11 220-230V/50-60Hz	
	1089 0612 23		GA 15 440-460V/60Hz 3ph		1089 9415 26			GA 11 380V/50-60Hz	
	1089 0612 23		GA 15 500V/50Hz		1089 9415 24			GA 11 400V/50Hz	
	1089 0612 24		GA 18 220-230V/50-60Hz		1089 9415 26			GA 11 440-460V/60Hz 3ph	
	1089 0612 23		GA 18 380V/50-60Hz		1089 9415 24			GA 11 500V/50Hz	
	1089 0612 23		GA 18 400V/50Hz		1089 9415 34			GA 15 220-230V/60Hz	
	1089 0612 23		GA 18 440-460V/60Hz 3ph		1089 9415 26			GA 15 380V/50-60Hz	
	1089 0612 23		GA 18 500V/50Hz		1089 9415 26			GA 15 400V/50Hz	
	1089 0612 24		GA 22 220-230V/50-60Hz		1089 9415 26			GA 15 440-460V/60Hz 3ph	
	1089 0612 23		GA 22 380V/50-60Hz		1089 9415 26			GA 15 500V/50Hz	
	1089 0612 23		GA 22 400V/50Hz		1089 9415 44			GA 18 220-230V/50-60Hz	
	1089 0612 23		GA 22 440-460V/60Hz 3ph		1089 9415 34			GA 18 380V/50-60Hz	
	1089 0612 23		GA 22 500V/50Hz		1089 9415 26			GA 18 400V/50Hz	
	1089 0612 23		GA 30C 400V/50Hz HAV		1089 9415 26			GA 18 440-460V/60Hz 3ph	
	1089 0612 24		GA 30C 500V/50Hz		1089 9415 26			GA 18 500V/50Hz	
1140	1089 0700 01	• 1	Connector		1089 9415 44			GA 22 220-230V/50-60Hz	
1145	1089 0700 02	• 1	Connector		1089 9415 34			GA 22 380V/50-60Hz	
1150	1089 0700 03	• 8	Connector pin		1089 9415 34			GA 22 400V/50Hz	
1155	1089 0700 04	• 8	Connector socket		1089 9415 34			GA 22 440-460V/60Hz 3ph	
1160	1089 9388 18	• 1	Interface relay		1089 9415 26			GA 22 500V/50Hz	
1165	• 1	Contact block			1089 9415 35			GA 30C 400V/50Hz HAV	
	1089 9415 09		GA 11 220-230V/50-60Hz		1089 9415 44			GA 30C 500V/50Hz	
	1089 9415 14		GA 11 380V/50-60Hz		1180	• 1	Contact block		
	1089 9415 14		GA 11 400V/50Hz		1185	• 1	Contact block		
	1089 9415 14		GA 11 440-460V/60Hz 3ph		1190	• 1	Aux.contact block		
	1089 9415 14		GA 11 500V/50Hz		1195	• 1	Circuit breaker		
	1089 9415 09		GA 15 220-230V/60Hz		1089 9416 25			GA 11 220-230V/50-60Hz	
	1089 9415 09		GA 15 380V/50-60Hz		1089 9416 22			GA 11 380V/50-60Hz	
	1089 9415 09		GA 15 400V/50Hz		1089 9416 23			GA 11 400V/50Hz	
	1089 9415 14		GA 15 440-460V/60Hz 3ph		1089 9416 22			GA 11 440-460V/60Hz 3ph	
	1089 9415 14		GA 15 500V/50Hz		1089 9416 21			GA 11 500V/50Hz	
	1089 9415 09		GA 18 220-230V/50-60Hz		1089 9416 25			GA 15 220-230V/60Hz	
	1089 9415 09		GA 18 380V/50-60Hz		1089 9416 22			GA 15 380V/50-60Hz	
	1089 9415 09		GA 18 400V/50Hz		1089 9416 23			GA 15 400V/50Hz	
	1089 9415 09		GA 18 440-460V/60Hz 3ph		1089 9416 22			GA 15 440-460V/60Hz 3ph	
	1089 9415 09		GA 18 500V/50Hz		1089 9416 22			GA 15 500V/50Hz	
	1089 9415 09		GA 22 220-230V/50-60Hz		1089 9416 25			GA 18 220-230V/50-60Hz	
	1089 9415 09		GA 22 380V/50-60Hz		1089 9416 23			GA 18 380V/50-60Hz	
	1089 9415 09		GA 22 400V/50Hz		1089 9416 23			GA 18 400V/50Hz	
	1089 9415 09		GA 22 440-460V/60Hz 3ph		1089 9416 22			GA 18 440-460V/60Hz 3ph	
	1089 9415 09		GA 22 500V/50Hz		1089 9416 22			GA 18 500V/50Hz	
	1089 9415 09		GA 30C 400V/50Hz HAV		1089 9416 25			GA 22 220-230V/50-60Hz	
	1089 9415 09		GA 30C 500V/50Hz		1089 9416 23			GA 22 380V/50-60Hz	



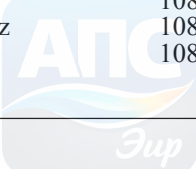
# 19 Start cubicle - Star / Delta - Elektronikon I - IEC - 2)



62787\_12

62787\_12

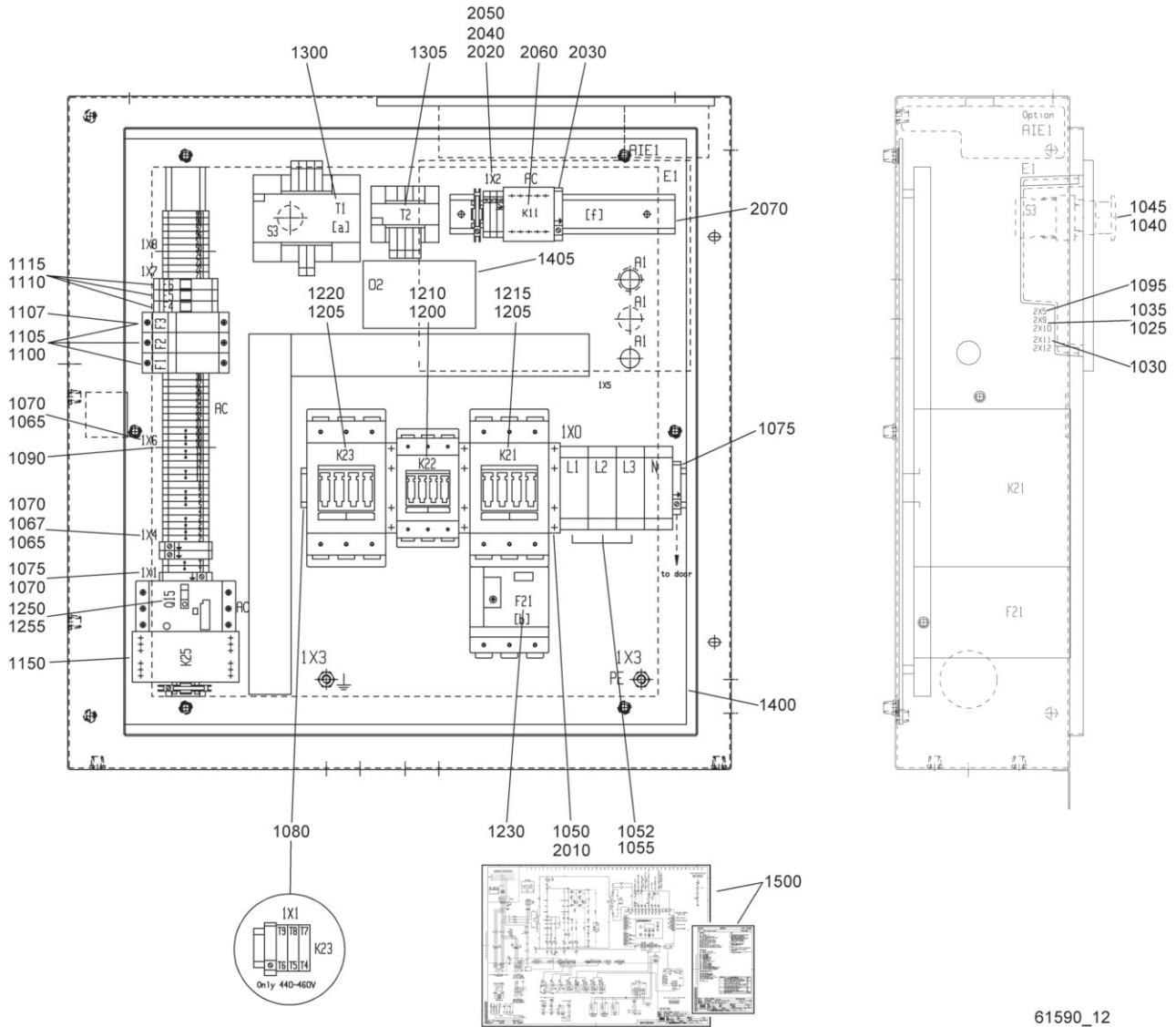
Ref.	Part number	Qty	Name	Remarks	Ref.	Part number	Qty	Name	Remarks
	1089 9416 23		GA 22 400V/50Hz			1089 9416 05		GA 18 400V/50Hz	
	1089 9416 23		GA 22 440-460V/60Hz 3ph			1089 9416 05		GA 18 440-460V/60Hz 3ph	
	1089 9416 22		GA 22 500V/50Hz			1089 9416 05		GA 18 500V/50Hz	
	1089 9416 23		GA 30C 400V/50Hz HAV			1089 9362 04		GA 22 220-230V/50-60Hz	
	1089 9416 23		GA 30C 500V/50Hz			1089 9416 93		GA 22 380V/50-60Hz	
1200		• 1	Supply terminal			1089 9416 93		GA 22 400V/50Hz	
	1089 9416 93		GA 11 220-230V/50-60Hz			1089 9416 93		GA 22 440-460V/60Hz 3ph	
	1089 9416 05		GA 11 380V/50-60Hz			1089 9416 05		GA 22 500V/50Hz	
	1089 9416 05		GA 11 400V/50Hz			1089 9416 93		GA 30C 400V/50Hz HAV	
	1089 9416 05		GA 11 440-460V/60Hz 3ph			1089 9362 04		GA 30C 500V/50Hz	
	1089 9416 05		GA 11 500V/50Hz		1205	• 1		Overload relay	
	1089 9416 93		GA 15 220-230V/60Hz			1089 9424 39		GA 11 220-230V/50-60Hz	
	1089 9416 05		GA 15 380V/50-60Hz			1089 9424 29		GA 11 380V/50-60Hz	
	1089 9416 05		GA 15 400V/50Hz			1089 9424 29		GA 11 400V/50Hz	
	1089 9416 05		GA 15 440-460V/60Hz 3ph			1089 9424 29		GA 11 440-460V/60Hz 3ph	
	1089 9416 05		GA 15 500V/50Hz			1089 9424 28		GA 11 500V/50Hz	
	1089 9362 04		GA 18 220-230V/50-60Hz			1089 9424 39		GA 15 220-230V/60Hz	
	1089 9416 93		GA 18 380V/50-60Hz			1089 9424 31		GA 15 380V/50-60Hz	



Ref.	Part number	Qty	Name	Remarks	Ref.	Part number	Qty	Name	Remarks
	1089 9424 30		GA 15 400V/50Hz		1250	1089 9556 15	• 1	Air inlet left	
	1089 9424 29		GA 15 440-460V/60Hz 3ph		1255	1089 9556 05	• 1	Air inlet right	
	1089 9424 29		GA 15 500V/50Hz				• 1	<b>Assembly drawing</b>	
	1089 9424 46		GA 18 220-230V/50-60Hz			<b>1622 0122 85</b>		GA 11 220-230V/50-60Hz	
	1089 9424 39		GA 18 380V/50-60Hz			<b>1622 0122 85</b>		GA 11 380V/50-60Hz	
	1089 9424 31		GA 18 400V/50Hz			<b>1622 0122 85</b>		GA 11 400V/50Hz	
	1089 9424 31		GA 18 440-460V/60Hz 3ph			<b>1622 0122 85</b>		GA 11 440-460V/60Hz 3ph	
	1089 9424 31		GA 18 500V/50Hz			<b>1622 0122 85</b>		GA 11 500V/50Hz	
	1089 9424 46		GA 22 220-230V/50-60Hz			<b>1622 0122 85</b>		GA 15 220-230V/60Hz	
	1089 9424 39		GA 22 380V/50-60Hz			<b>1622 0122 85</b>		GA 15 380V/50-60Hz	
	1089 9424 39		GA 22 400V/50Hz			<b>1622 0122 85</b>		GA 15 400V/50Hz	
	1089 9424 39		GA 22 440-460V/60Hz 3ph			<b>1622 0122 85</b>		GA 15 440-460V/60Hz 3ph	
	1089 9424 31		GA 22 500V/50Hz			<b>1622 0122 85</b>		GA 15 500V/50Hz	
	1089 9424 40		GA 30C 400V/50Hz HAV			<b>1622 0122 85</b>		GA 18 220-230V/50-60Hz	
	1089 9446 15		GA 30C 500V/50Hz			<b>1622 0122 85</b>		GA 18 380V/50-60Hz	
1210		• 1	Trafo			<b>1622 0122 85</b>		GA 18 400V/50Hz	
	1089 9436 43		GA 11 220-230V/50-60Hz			<b>1622 0122 85</b>		GA 18 440-460V/60Hz 3ph	
	1089 9436 42		GA 11 380V/50-60Hz			<b>1622 0122 85</b>		GA 18 500V/50Hz	
	1089 9436 37		GA 11 400V/50Hz			<b>1622 0122 85</b>		GA 22 220-230V/50-60Hz	
	1089 9436 42		GA 11 440-460V/60Hz 3ph			<b>1622 0122 85</b>		GA 22 380V/50-60Hz	
	1089 9436 42		GA 11 500V/50Hz			<b>1622 0122 85</b>		GA 22 400V/50Hz	
	1089 9436 43		GA 15 220-230V/60Hz			<b>1622 0122 85</b>		GA 22 440-460V/60Hz 3ph	
	1089 9436 42		GA 15 380V/50-60Hz			<b>1622 0122 85</b>		GA 22 500V/50Hz	
	1089 9436 37		GA 15 400V/50Hz			<b>1622 0361 85</b>		GA 30C 400V/50Hz HAV	
	1089 9436 42		GA 15 440-460V/60Hz 3ph			<b>1622 0548 85</b>		GA 30C 500V/50Hz	
	1089 9436 42		GA 15 500V/50Hz		2010		•• 1	Cubicle	
	1089 9436 44		GA 18 220-230V/50-60Hz			1622 0361 05		GA 11 220-230V/50-60Hz	
	1089 9436 43		GA 18 380V/50-60Hz			1622 0361 05		GA 11 380V/50-60Hz	
	1089 9436 37		GA 18 400V/50Hz			1622 0361 05		GA 11 400V/50Hz	
	1089 9436 42		GA 18 440-460V/60Hz 3ph			1622 0361 05		GA 11 440-460V/60Hz 3ph	
	1089 9436 42		GA 18 500V/50Hz			1622 0361 05		GA 11 500V/50Hz	
	1089 9436 44		GA 22 220-230V/50-60Hz			1622 0361 05		GA 15 220-230V/60Hz	
	1089 9436 43		GA 22 380V/50-60Hz			1622 0361 05		GA 15 380V/50-60Hz	
	1089 9436 38		GA 22 400V/50Hz			1622 0361 05		GA 15 400V/50Hz	
	1089 9436 43		GA 22 440-460V/60Hz 3ph			1622 0361 05		GA 15 440-460V/60Hz 3ph	
	1089 9436 42		GA 22 500V/50Hz			1622 0361 05		GA 15 500V/50Hz	
	1089 9436 38		GA 30C 400V/50Hz HAV			1622 0361 05		GA 18 220-230V/50-60Hz	
	1089 9436 44		GA 30C 500V/50Hz			1622 0361 05		GA 18 380V/50-60Hz	
1215		• 1	Phase seq relay			1622 0361 05		GA 18 400V/50Hz	
	1089 9591 01		GA 11 220-230V/50-60Hz			1622 0361 05		GA 18 440-460V/60Hz 3ph	
	1089 9461 03		GA 11 380V/50-60Hz			1622 0361 05		GA 18 500V/50Hz	
	1089 9461 06		GA 11 400V/50Hz			1622 0361 05		GA 22 220-230V/50-60Hz	
	1089 9461 03		GA 11 440-460V/60Hz 3ph			1622 0361 05		GA 22 380V/50-60Hz	
	1089 9461 03		GA 11 500V/50Hz			1622 0361 05		GA 22 400V/50Hz	
	1089 9591 01		GA 15 220-230V/60Hz			1622 0361 05		GA 22 440-460V/60Hz 3ph	
	1089 9461 03		GA 15 380V/50-60Hz			1622 0361 05		GA 22 500V/50Hz	
	1089 9461 06		GA 15 400V/50Hz			1622 0361 05		GA 30C 400V/50Hz HAV	
	1089 9461 03		GA 15 440-460V/60Hz 3ph			1622 0548 05		GA 30C 500V/50Hz	
	1089 9461 03		GA 15 500V/50Hz		2015	1202 6584 00	•• AR	Seal	
	1089 9591 01		GA 18 220-230V/50-60Hz		2025	0268 7110 00	•• 2	Nut	
	1089 9461 03		GA 18 380V/50-60Hz		2030	0300 0275 05	•• 2	Washer	
	1089 9461 06		GA 18 400V/50Hz		2035	0301 2335 00	•• 2	Washer	
	1089 9461 03		GA 18 440-460V/60Hz 3ph		2040	0333 2174 37	•• 2	Spring washer	
	1089 9461 03		GA 18 500V/50Hz						
	1089 9591 01		GA 22 220-230V/50-60Hz		2)			From following serial No. onwards:	
	1089 9461 03		GA 22 380V/50-60Hz					Geldig vanaf volgend serienummer:	
	1089 9461 06		GA 22 400V/50Hz					Fr.o.m. tillverkningsnummer:	
	1089 9461 03		GA 22 440-460V/60Hz 3ph					Gültig ab Seriennummer:	
	1089 9461 03		GA 22 500V/50Hz					Valable à partir du numéro de série suivant:	
	1089 9461 06		GA 30C 400V/50Hz HAV					A partir del siguiente número de serie:	
	1089 9591 01		GA 30C 500V/50Hz					Dai seguenti numeri di serie in avanti:	
1220	1613 6639 00	• 1	Data plate					Gælder fra følgende serienumre:	
1225	1622 0005 40	• 1	Wiring					A partir do número de série:	
1235	9139 5000 16	• AR	Rail					Fra og med følgende serienummer:	
1240	9820 3554 07	• 1	Service diagram					Alkaen valmistusnumerosta	
1245	9139 5000 16	• AR	Rail					AII 286 500	



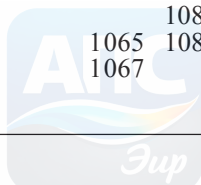
# 20 Start cubicle - Star / Delta - Elektronikon II - IEC - 1)



61590\_12

61590\_12

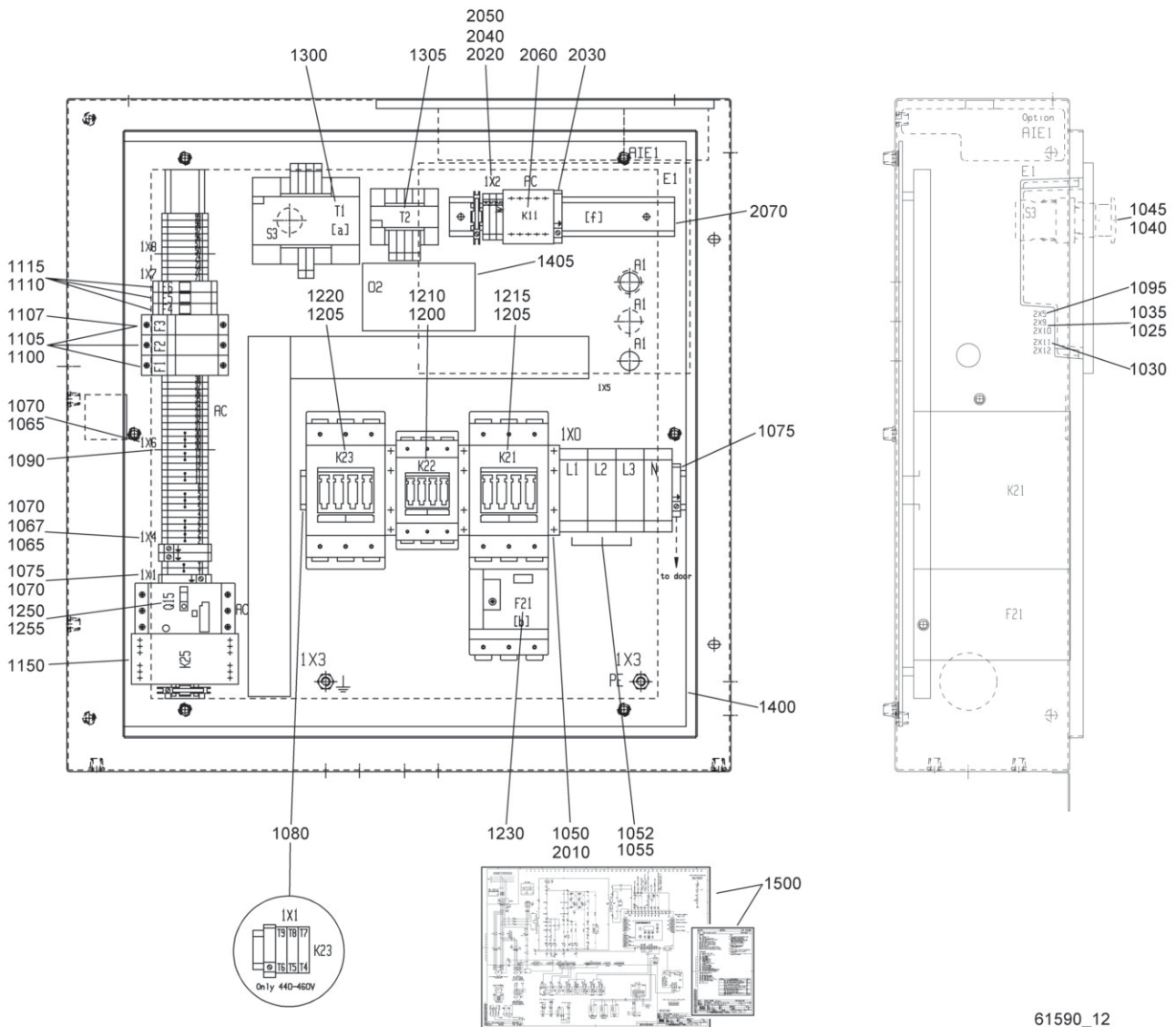
Ref.	Part number	Qty	Name	Remarks	Ref.	Part number	Qty	Name	Remarks
		<b>1</b>	<b>Electr. panel</b>		<b>1900 2051 65</b>			GA22 460V/60Hz	
	1900 2051 51		GA11 230V/50Hz		<b>1900 2051 59</b>			GA30C 230V/50Hz	
	1900 2051 71		GA11 380V/60Hz		<b>1900 2051 60</b>			GA30C 400V/50Hz	
	1900 2051 52		GA11 400V/50Hz		<b>1900 2051 72</b>			GA30C 460V/60Hz	
	1900 2051 63		GA11 460V/60Hz		1025	1088 0031 13	• 1	Connector	
	1900 2051 53		GA15 230V/50Hz		1030	1088 0031 29	• 1	Connector	
	1900 2051 61		GA15 230V/60Hz		1035	1088 0031 49	• 1	Connector	
	1900 2051 71		GA15 380V/60Hz		1040	1089 0362 50	• 2	Contact block	
	1900 2051 54		GA15 400V/50Hz		1045	1089 0362 51	• 1	Push button	
	1900 2051 64		GA15 460V/60Hz		1050	1089 0506 04	• 1	Terminal	
	1900 2051 55		GA18 230V/50Hz		1052		• 3	Terminal	
	1900 2051 72		GA18 380V/60Hz		1089 0506 15			GA22 230V/60Hz	
	1900 2051 56		GA18 400V/50Hz		1089 0506 15			GA30C 230V/50Hz	
	1900 2051 64		GA18 460V/60Hz		1055		• 3	Cover	
	1900 2051 57		GA22 230V/50Hz		1089 0542 10			GA22 230V/60Hz	
	1900 2051 62		GA22 230V/60Hz		1089 0542 10			GA30C 230V/50Hz	
	1900 2051 72		GA22 380V/60Hz		1065	1089 0506 64	• 2	Terminal	
	1900 2051 58		GA22 400V/50Hz		1067		• 1	Terminal	



Ref.	Part number	Qty	Name	Remarks	Ref.	Part number	Qty	Name	Remarks
	1089 0506 63		GA15-18 460V/60Hz 3-phase dryer		1089 9461 03			GA15-18 460V/60Hz 3-phase dryer	
	1089 0506 63		GA22 460V/60Hz 3-phase dryer		1089 9461 01			GA18 230V/50Hz	
1070	1089 0506 62	• 4	Terminal		1089 9461 03			GA18-22 380V/60Hz, GA30C 460V/60Hz	
1075	1089 0506 27	• 4	Terminal		1089 9461 01			GA18 400V/50Hz	
1080	1089 0506 63	• 2	Terminal		1089 9461 01			GA22 230V/50Hz	
	1089 0506 63	2	GA11 460V/60Hz 3-phase dryer		1089 9461 02			GA22 230V/60Hz	
	1089 0506 61	1	GA15-18 460V/60Hz 3-phase dryer		1089 9461 01			GA22 400V/50Hz	
	1089 0506 61	1	GA22 460V/60Hz 3-phase dryer		1089 9461 03			GA22 460V/60Hz 3-phase dryer	
	1089 0506 07	1	GA30C 460V/60Hz, GA22 380V/60Hz	1200	1089 9461 01		• 1	GA30C 230V/50Hz	
1090	1089 0506 23	• 1	Barrier		1089 9461 01			GA30C 400V/50Hz	
1095	1088 0031 02	• 1	Connector		1089 9415 21			Contactactor	
1100	1089 0612 01	• 3	Fuse holder		1089 9415 21			GA11 230V/50Hz	
1105	1089 0612 01	• 1	Fuse		1089 9415 21			GA11-15 380V/60Hz	
	1089 0612 61	2	GA11 230V/50Hz		1089 9415 30			GA11 400V/50Hz	
	1089 0612 61	2	GA11-15 380V/60Hz		1089 9415 30			GA11 460V/60Hz 3-phase dryer	
	1089 0612 61	2	GA11 400V/50Hz		1089 9415 23			GA15 230V/50Hz	
	1089 0612 26	3	GA11 460V/60Hz 3-phase dryer		1089 9415 23			GA15 230V/60Hz	
	1089 0612 61	2	GA15 230V/50Hz		1089 9415 21			GA15 400V/50Hz	
	1089 0612 61	2	GA15 230V/60Hz		1089 9415 21			GA15-18 460V/60Hz 3-phase dryer	
	1089 0612 61	2	GA15 400V/50Hz		1089 9415 31			GA18 230V/50Hz	
	1089 0612 26	3	GA15-18 460V/60Hz 3-phase dryer		1089 9415 21			GA18 400/50Hz	
	1089 0612 61	2	GA18 230V/50Hz		1089 9415 31			GA22 230V/50Hz	
	1089 0612 61	2	GA18-22 380V/60Hz, GA30C 460V/60Hz		1089 9415 31			GA22 230V/60Hz	
	1089 0612 61	2	GA18 400V/50Hz		1089 9415 31			GA22 400V/50Hz	
	1089 0612 61	2	GA22 230V/50Hz		1089 9415 23			GA22 460V/60Hz 3-phase dryer	
	1089 0612 61	2	GA22 230V/60Hz		1089 9415 23			GA30C 230V/50Hz	
	1089 0612 61	2	GA22 400V/50Hz		1089 9415 23			GA30C 400V/50Hz	
	1089 0612 26	3	GA22 460V/60Hz 3-phase dryer	1205	1089 9415 31		• 2	GA30C 460V/60Hz, GA18-22 380V/60Hz	
	1089 0612 61	2	GA30C 230V/50Hz		1089 9415 31			Contactactor	
	1089 0612 61	2	GA30C 400V/50Hz		1089 9415 23			GA11 230V/50Hz	
1107	1089 0612 01	• 1	Fuse		1089 9415 23			GA11-15 380V/60Hz	
	1089 0612 24		GA11-15 380V/60Hz		1089 9415 22			GA11 400V/50Hz	
	1089 0612 24		GA11 400V/50Hz		1089 9415 22			GA11 460V/60Hz 3-phase dryer	
	1089 0612 24		GA15 230V/50Hz		1089 9415 32			GA15 230V/50Hz	
	1089 0612 24		GA15 230V/60Hz		1089 9415 32			GA15 230V/60Hz	
	1089 0612 24		GA15 400V/50Hz		1089 9415 23			GA15 400V/50Hz	
	1089 0612 24		GA15 230V/60Hz		1089 9415 23			GA15-18 460V/60Hz 3-phase dryer	
	1089 0612 24		GA18 230V/50Hz		1089 9415 33			GA18 230V/50Hz	
	1089 0612 24		GA18 400V/50Hz		1089 9415 23			GA18 400V/50Hz	
	1089 0612 24		GA22 230V/50Hz		1089 9415 41			GA22 230V/50Hz	
	1089 0612 24		GA22 230V/60Hz		1089 9415 41			GA22 230V/60Hz	
	1089 0612 24		GA22 400V/50Hz		1089 9415 31			GA22 400V/50Hz	
	1089 0612 24		GA30C 230V/50Hz		1089 9415 31			GA22 460V/60Hz 3-phase dryer	
	1089 0612 24		GA30C 400V/50Hz		1089 9415 42			GA30C 230V/50Hz	
	1089 0612 24		GA30C 460V/60Hz, GA18-22 380V/60Hz		1089 9415 32			GA30C 400V/50Hz	
1110	1089 0506 16	• 3	Fuse terminal		1089 9415 32			GA30C 460V/60Hz, GA18-22 380V/60Hz	
1115	1089 9037 09	• 3	Fuse		1089 9415 09		• 1	Contact block	
1150	1089 9461 02	• 1	Phase sequence relay	1210	1089 9415 09		• 1	Contact block	
	1089 9461 03		GA11 230V/50Hz	1215	1089 9415 55		• 1	Contact block	
	1089 9461 01		GA11-15 380V/60Hz	1220	1089 9415 56		• 1	Contact block	
	1089 9461 03		GA11 400V/50Hz	1230	1089 9415 56		• 1	Contact block	
	1089 9461 03		GA11 460V/60Hz 3-phase dryer		1089 9446 06			Overload relay	
	1089 9461 01		GA15 230V/50Hz		1089 9424 29			GA11-15 380V/60Hz	
	1089 9461 02		GA15 230V/60Hz		1089 9424 28			GA11 400V/50Hz	
	1089 9461 01		GA15 400V/50Hz		1089 9424 39			GA11 460V/60Hz 3-phase dryer	
								GA15 230V/50Hz	



# 20 Start cubicle - Star / Delta - Elektronikon II - IEC - 1)

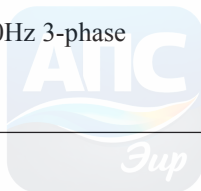


61590\_12

61590\_12

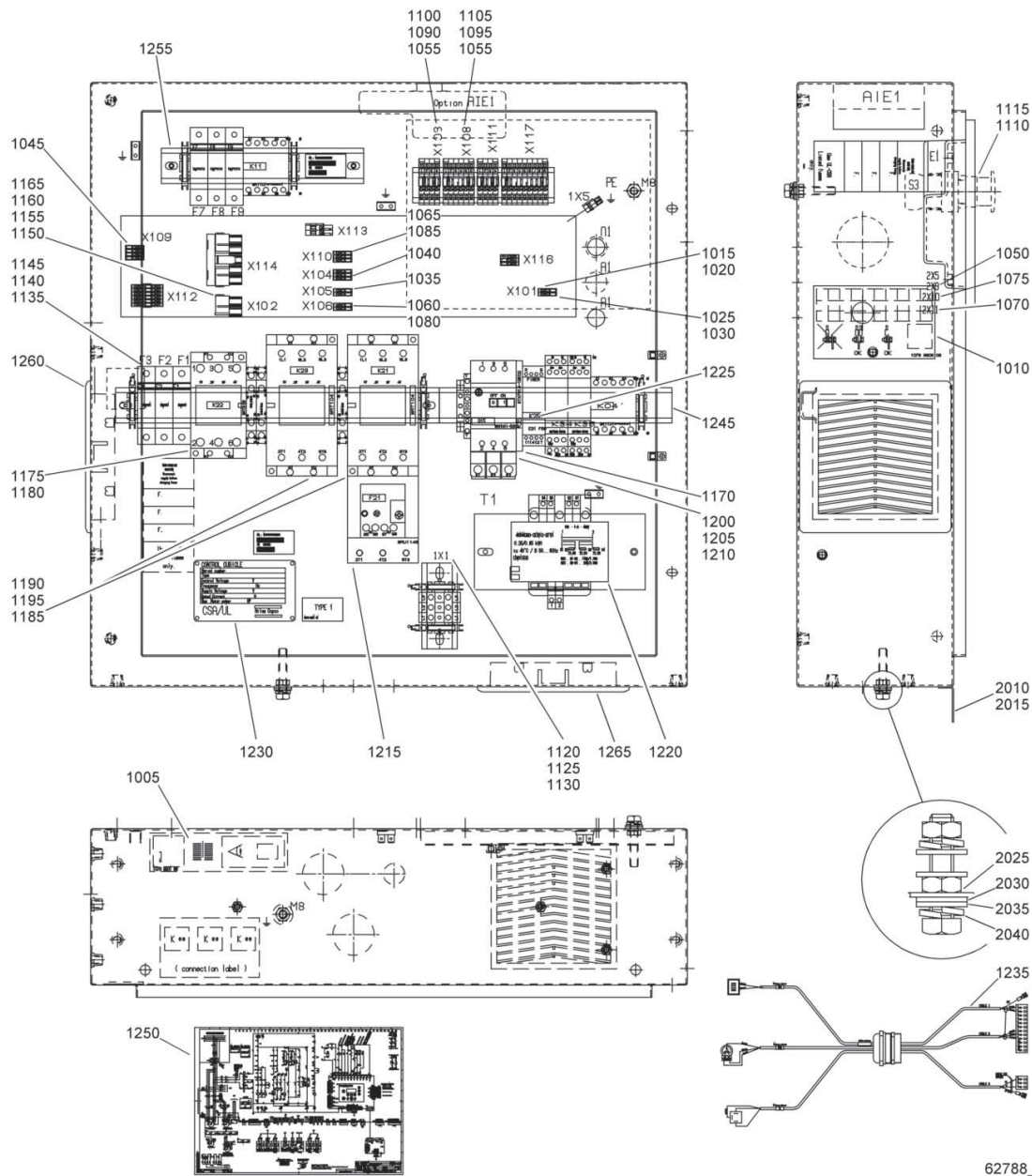
Ref.	Part number	Qty	Name	Remarks	Ref.	Part number	Qty	Name	Remarks
1089 9424 39			GA15 230V/60Hz		1250	1089 9416 01	• 1	Aux.contact block	
1089 9424 30			GA15 400V/50Hz		1255		• 1	Circuit breaker	
1089 9424 30			GA15-18 460V/60Hz 3-phase dryer		1089 9416 24			GA11 230V/50Hz	
1089 9424 41			GA18 230V/50Hz		1089 9416 21			GA11-15 380V/60Hz	
1089 9424 31			GA18 400V/50Hz		1089 9416 21			GA11 400V/50Hz	
1089 9424 46			GA22 230V/50Hz		1089 9416 21			GA11 460V/60Hz 3-phase dryer	
1089 9424 46			GA22 230V/60Hz		1089 9416 24			GA15 230V/50Hz	
1089 9424 38			GA22 400V/50Hz		1089 9416 24			GA15 230V/60Hz	
1089 9424 38			GA22 460V/60Hz 3-phase dryer		1089 9416 21			GA15 400V/50Hz	
1089 9424 47			GA30C 230V/50Hz		1089 9416 21			GA15-18 460V/60Hz 3-phase dryer	
1089 9424 40			GA30C 400V/50Hz		1089 9416 24			GA18 230V/50Hz	
1089 9446 11			GA30C 460V/60Hz, GA18-22 380V/60Hz		1089 9416 21			GA18 400V/50Hz	
					1089 9416 24			GA22 230V/50Hz	

Ref.	Part number	Qty	Name	Remarks	Ref.	Part number	Qty	Name	Remarks
	1089 9416 24		GA22 230V/60Hz			9820 3554 11		GA18 230V/50Hz	
	1089 9416 21		GA22 400V/50Hz			9820 3554 11		GA18 400V/50Hz	
	1089 9416 21		GA22 460V/60Hz 3-phase dryer			9820 3554 11		GA22 230V/50Hz	
	1089 9416 26		GA30C 230V/50Hz			9820 3554 11		GA22 230V/60Hz	
	1089 9416 23		GA30C 400V/50Hz			9820 3554 11		GA22 400V/50Hz	
	1089 9416 22		GA30C 460V/60Hz, GA18-22 380V/60Hz			9820 3554 12		GA22 460V/60Hz 3-phase dryer	
1300		• 1	Transformer			9820 3554 11		GA30C 230V/50Hz	
	1089 9436 02		GA11 230V/50Hz			9820 3554 11		GA30C 400V/50Hz	
	1089 9436 01		GA11-15 380V/60Hz			9820 3554 11		GA30C 460V/60Hz, GA18-22 380V/60Hz	
	1089 9136 94		GA11 400V/50Hz				<b>1</b>	<b>Dryer rail</b>	
	1089 9436 01		GA11 460V/60Hz 3-phase dryer			<b>1900 2051 83</b>		GA11-15 FF 230V/50Hz	
						<b>1900 2051 83</b>		GA11-15 FF 200-230V/60Hz	
	1089 9136 95		GA15 230V/50Hz			<b>1900 2051 84</b>		GA11-15 FF 380V/60Hz with trafo	
	1089 9436 02		GA15 230V/60Hz					GA11-15 FF 400V+N/50Hz	
	1089 9136 94		GA15 400V/50Hz			<b>1900 2051 80</b>		GA11-15 FF 460V/60Hz	
	1089 9436 01		GA15-18 460V/60Hz 3-phase dryer			<b>1900 2051 82</b>		3-phase dryer	
	1089 9436 02		GA18 230V/50Hz			<b>1900 2051 83</b>		GA18-22 FF 230V/50Hz	
	1089 9136 94		GA18 400V/50Hz			<b>1900 2051 83</b>		GA18-22 FF 200-230V/60Hz	
	1089 9136 95		GA22 230V/50Hz			<b>1900 2051 84</b>		GA18-22 FF 380V/60Hz with trafo	
	1089 9436 02		GA22 230V/60Hz					GA18 FF 400V+N/50Hz	
	1089 9136 95		GA22 400V/50Hz			<b>1900 2051 80</b>		GA18-22 FF 460V/60Hz	
	1089 9436 02		GA22 460V/60Hz 3-phase dryer			<b>1900 2051 82</b>		3-phase dryer	
	1089 9436 02		GA30C 230V/50Hz			<b>1900 2051 81</b>		GA22 FF 400V+N/50Hz	
	1089 9136 95		GA30C 400V/50Hz			<b>1900 2051 83</b>		GA30C FF 230V/50Hz	
	1089 9436 02		GA30C 460V/60Hz, GA18-22 380V/60Hz			<b>1900 2051 83</b>		GA30C FF 200-230V/60Hz	
1305	1089 9136 92	• 1	Transformer			<b>1900 2051 81</b>		GA30C FF 400V+N/50Hz	
1400		• 1	Mounting plate		2010	<b>1900 2051 82</b>		GA30C FF 460V/60Hz	
	1622 0070 00		GA11 230V/50Hz				• 1	Terminal	
	1622 0070 00		GA11-15 380V/60Hz			1089 0506 06		GA11-15-18 400V+N/50Hz	
	1622 0070 00		GA11 400V/50Hz		2020	1089 0506 03		GA22-30C 400V+N/50Hz	
	1622 0070 01		GA11 460V/60Hz 3-phase dryer		2030	1089 0506 27	• 1	Terminal	
					2040	1089 0506 30	• 1	End bracket	
	1622 0070 00		GA15 230V/50Hz				• 1	Terminal	
	1622 0070 00		GA15 230V/60Hz			1089 0506 60		GA22-30C 400V+N/50Hz	
	1622 0070 00		GA15 400V/50Hz		2050		•	Terminal	
	1622 0070 01		GA15-18 460V/60Hz 3-phase dryer			1089 0506 63	1	GA11-15-18 400V+N/50Hz	
						1089 0506 62	1	GA22-30C 400V+N/50Hz	
	1622 0070 00		GA18 230V/50Hz			1089 0506 63	1	GA11-15-18-22 460V/60Hz 3-phase dryer	
	1622 0070 00		GA18 400V//50Hz					200-230V	
	1622 0070 00		GA22 230V/50Hz			1089 0506 62	2	With trafo	
	1622 0070 00		GA22 230V/60Hz		2060		• 1	Contacteur	
	1622 0070 00		GA22 400V/50Hz			1089 9415 11		GA11-15-18 400V+N/50Hz	
	1622 0070 01		GA22 460V/60Hz 3-phase dryer			1089 9415 11		GA22-30C 400V+N/50Hz	
						1089 9415 11		GA11-15-18-22 460V/60Hz 3-phase dryer	
	1622 0070 00		GA30C 230V/50Hz					200-230V	
	1622 0070 00		GA30C 400V/50Hz			1089 9415 12		With trafo	
	1622 0070 00		GA30C 460V/60Hz, GA18-22 380V/60Hz		2070	1089 9415 12		Rail	
1405	1613 6639 00	• 1	Data plate			9139 5000 16	• AR		
1500		• 1	Service diagram		1)				
	9820 3554 11		GA11 230V/50Hz					Up to serial No. :	
	9820 3554 11		GA11-15 380V/60Hz					Tot serienummer:	
	9820 3554 11		GA11 400V/50Hz					T.o.m. tillverkningsnummer:	
	9820 3554 12		GA11 460V/60Hz 3-phase dryer					Bis Seriennummer:	
								Jusqu'au numéro de série:	
	9820 3554 11		GA15 230V/50Hz					Hasta el número de serie:	
	9820 3554 11		GA15 230V/60Hz					Fino al numeri di serie:	
	9820 3554 11		GA15 400V/50Hz					Gælder til følgende serienumre:	
	9820 3554 12		GA15-18 460V/60Hz 3-phase dryer					Até o número de série:	
								Til følgende serienummer:	
								Seuraavaan valmistusnumeroon asti, No.:	
								All 286 499	



# 21

## Start cubicle - Star / Delta - Elektronikon II - IEC - 2)

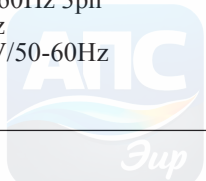


62788\_12

Ref.	Part number	Qty	Name	Remarks	Ref.	Part number	Qty	Name	Remarks
		<b>1</b>	<b>Electr. panel</b>		1900	2052 07		GA 15 400-460V/60Hz 3ph	
	1900 2052 09		GA 11 220-230V/50-60Hz		1900	2052 07		GA 15 500V/50Hz	
	1900 2052 36		GA 11 220V/50-60Hz HAV		1900	2052 36		GA 18 200V/50Hz HAV	
	1900 2052 07		GA 11 380V/50-60Hz		1900	2052 36		GA 18 200V/60Hz	
	1900 2052 01		GA 11 400V/50Hz		1900	2052 11		GA 18 220-230V/50-60Hz	
	1900 2052 07		GA 11 440-460V/60Hz 3ph		1900	2052 10		GA 18 380V/50-60Hz	
	1900 2052 06		GA 11 500V/50Hz		1900	2052 03		GA 18 400V/50Hz	
	1900 2052 36		GA 15 200V/50-60Hz HAV		1900	2052 08		GA 18 400-460V/60Hz 3ph	
	1900 2052 09		GA 15 220-230V/60Hz		1900	2052 08		GA 18 500V/50Hz	
	1900 2052 09		GA 15 230V/50Hz		1900	2052 36		GA 22 200V/50-60Hz HAV	
	1900 2052 08		GA 15 380V/50-60Hz		1900	2052 12		GA 22 220-230V/60Hz	
	1900 2052 02		GA 15 400V/50Hz		1900	2052 36		GA 22 230V/50Hz HAV	

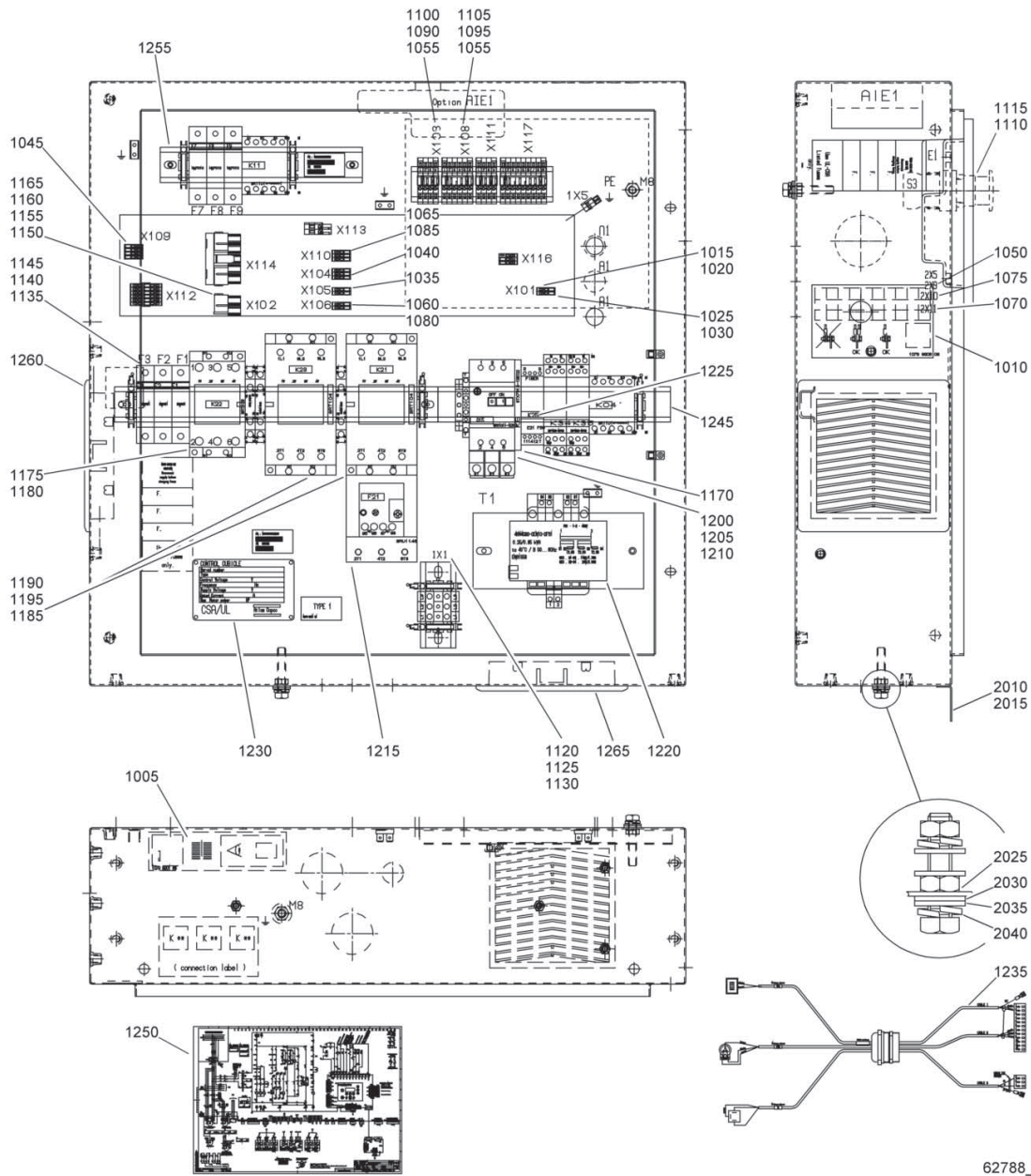


Ref.	Part number	Qty	Name	Remarks	Ref.	Part number	Qty	Name	Remarks
	<b>1900 2052 10</b>		GA 22 380V/50-60Hz			1089 0612 24		GA 30C 380V/50Hz HAV	
	<b>1900 2052 04</b>		GA 22 400V/50Hz			1089 0612 23		GA 30C 400V/50Hz HAV	
	<b>1900 2052 10</b>		GA 22 440-460V/60Hz 3ph			1089 0612 24		GA 30C 440-460V/60Hz HAV	
	<b>1900 2052 08</b>		GA 22 500V/50Hz			1089 0612 23		GA 30C 500V/50Hz HAV	
	<b>1900 2052 32</b>		GA 30C 220-230V/50-60Hz HAV		1150	1089 0700 01	• 1	Connector	
					1155	1089 0700 02	• 1	Connector	
	<b>1900 2052 36</b>		GA 30C 380V/50Hz HAV		1160	1089 0700 03	• 8	Connector pin	
	<b>1900 2052 25</b>		GA 30C 400V/50Hz HAV		1165	1089 0700 04	• 8	Connector socket	
	<b>1900 2052 36</b>		GA 30C 440-460V/60Hz HAV		1170	1089 9388 18	• 1	Interface relay	
	<b>1900 2052 28</b>		GA 30C 500V/50Hz HAV		1175		• 1	Contact block	
1005	1079 9901 68	• 1	Warning label			1089 9415 09		GA 11 220-230V/50-60Hz	
1010	1079 9906 09	• 1	Label			1089 9415 09		GA 11 220V/50-60Hz HAV	
1020	1088 0015 16	• 2	Connector pin			1089 9415 14		GA 11 380V/50-60Hz	
1025	1088 0015 22	• 1	Connector plug			1089 9415 14		GA 11 400V/50Hz	
1030	1088 0015 36	• 2	Connector socket			1089 9415 14		GA 11 440-460V/60Hz 3ph	
1035	1088 0031 02	• 2	Connector			1089 9415 14		GA 11 500V/50Hz	
1040	1088 0031 03	• 1	Connector			1089 9415 09		GA 15 200V/50-60Hz HAV	
1045	1088 0031 04	• 1	Connector			1089 9415 09		GA 15 220-230V/60Hz	
1050	1088 0031 13	• 1	Connector			1089 9415 09		GA 15 230V/50Hz	
1055	1088 0031 18	• 4	Adaptor			1089 9415 09		GA 15 380V/50-60Hz	
1060	1088 0031 22	• 2	Connector			1089 9415 09		GA 15 400V/50Hz	
1065	1088 0031 23	• 1	Connector			1089 9415 14		GA 15 400-460V/60Hz 3ph	
1070	1088 0031 29	• 1	Connector			1089 9415 14		GA 15 500V/50Hz	
1075	1088 0031 49	• 1	Connector			1089 9415 09		GA 18 200V/50Hz HAV	
1080	1088 0031 82	• 2	Connector			1089 9415 09		GA 18 200V/60Hz	
1085	1088 0031 83	• 1	Connector			1089 9415 09		GA 18 220-230V/50-60Hz	
1090	1088 0031 84	• 1	Connector			1089 9415 09		GA 18 380V/50-60Hz	
1095	1088 0031 86	• 1	Connector			1089 9415 09		GA 18 400V/50Hz	
1100	1088 0037 04	• 1	Connector			1089 9415 09		GA 18 400-460V/60Hz 3ph	
1105	1088 0037 06	• 1	Connector			1089 9415 09		GA 18 500V/50Hz	
1110	1089 0362 50	• 2	Contact block			1089 9415 09		GA 22 200V/50-60Hz HAV	
1115	1089 0362 51	• 1	Push button			1089 9415 09		GA 22 220-230V/60Hz	
1120	1089 0506 27	• 1	Terminal			1089 9415 09		GA 22 230V/50Hz HAV	
1125	1089 0506 30	• 3	End bracket			1089 9415 09		GA 22 380V/50-60Hz	
1130	1089 0506 75	• 1	Terminal			1089 9415 09		GA 22 400V/50Hz	
1135	1089 0612 01	• 3	Fuse holder			1089 9415 09		GA 22 440-460V/60Hz 3ph	
1140	1089 0612 22	• 1	Fuse			1089 9415 09		GA 22 500V/50Hz	
1145		• 2	Fuse			1089 9415 09		GA 30C 220-230V/50-60Hz HAV	
	1089 0612 23		GA 11 220-230V/50-60Hz			1089 9415 09		GA 30C 380V/50Hz HAV	
	1089 0612 24		GA 11 220V/50-60Hz HAV			1089 9415 09		GA 30C 400V/50Hz HAV	
	1089 0612 23		GA 11 380V/50-60Hz			1089 9415 09		GA 30C 440-460V/60Hz HAV	
	1089 0612 23		GA 11 400V/50Hz			1089 9415 09		GA 30C 500V/50Hz HAV	
	1089 0612 23		GA 11 440-460V/60Hz 3ph			1089 9415 09		GA 30C 500V/50Hz HAV	
	1089 0612 23		GA 11 500V/50Hz		1180		• 1	Contact	
	1089 0612 24		GA 15 200V/50-60Hz HAV			1089 9415 26		GA 11 220-230V/50-60Hz	
	1089 0612 23		GA 15 220-230V/60Hz			1089 9415 34		GA 11 220V/50-60Hz HAV	
	1089 0612 23		GA 15 230V/50Hz			1089 9438 34		GA 11 380V/50-60Hz	
	1089 0612 23		GA 15 380V/50-60Hz			1089 9438 34		GA 11 400V/50Hz	
	1089 0612 23		GA 15 400V/50Hz			1089 9438 34		GA 11 440-460V/60Hz 3ph	
	1089 0612 23		GA 15 400-460V/60Hz 3ph			1089 9438 34		GA 11 500V/50Hz	
	1089 0612 23		GA 15 500V/50Hz			1089 9415 34		GA 15 200V/50-60Hz HAV	
	1089 0612 24		GA 18 200V/50Hz HAV			1089 9415 26		GA 15 220-230V/60Hz	
	1089 0612 24		GA 18 200V/60Hz			1089 9415 26		GA 15 230V/50Hz	
	1089 0612 24		GA 18 220-230V/50-60Hz			1089 9415 24		GA 15 380V/50-60Hz	
	1089 0612 23		GA 18 380V/50-60Hz			1089 9415 24		GA 15 400V/50Hz	
	1089 0612 23		GA 18 400V/50Hz			1089 9438 34		GA 15 400-460V/60Hz 3ph	
	1089 0612 23		GA 18 400-460V/60Hz 3ph			1089 9438 34		GA 15 500V/50Hz	
	1089 0612 23		GA 18 500V/50Hz			1089 9415 34		GA 18 200V/50Hz HAV	
	1089 0612 24		GA 22 200V/50-60Hz HAV			1089 9415 34		GA 18 200V/60Hz	
	1089 0612 24		GA 22 220-230V/60Hz			1089 9415 34		GA 18 220-230V/50-60Hz	
	1089 0612 24		GA 22 230V/50Hz HAV			1089 9415 26		GA 18 380V/50-60Hz	
	1089 0612 23		GA 22 380V/50-60Hz			1089 9415 24		GA 18 400V/50Hz	
	1089 0612 23		GA 22 400V/50Hz			1089 9415 24		GA 18 400-460V/60Hz 3ph	
	1089 0612 23		GA 22 440-460V/60Hz 3ph			1089 9415 24		GA 18 500V/50Hz	
	1089 0612 23		GA 22 500V/50Hz			1089 9415 34		GA 22 200V/50-60Hz HAV	
	1089 0612 24		GA 30C 220-230V/50-60Hz HAV			1089 9415 34		GA 22 220-230V/60Hz	
						1089 9415 34		GA 22 230V/50Hz HAV	



# 21

## Start cubicle - Star / Delta - Elektronikon II - IEC - 2 )



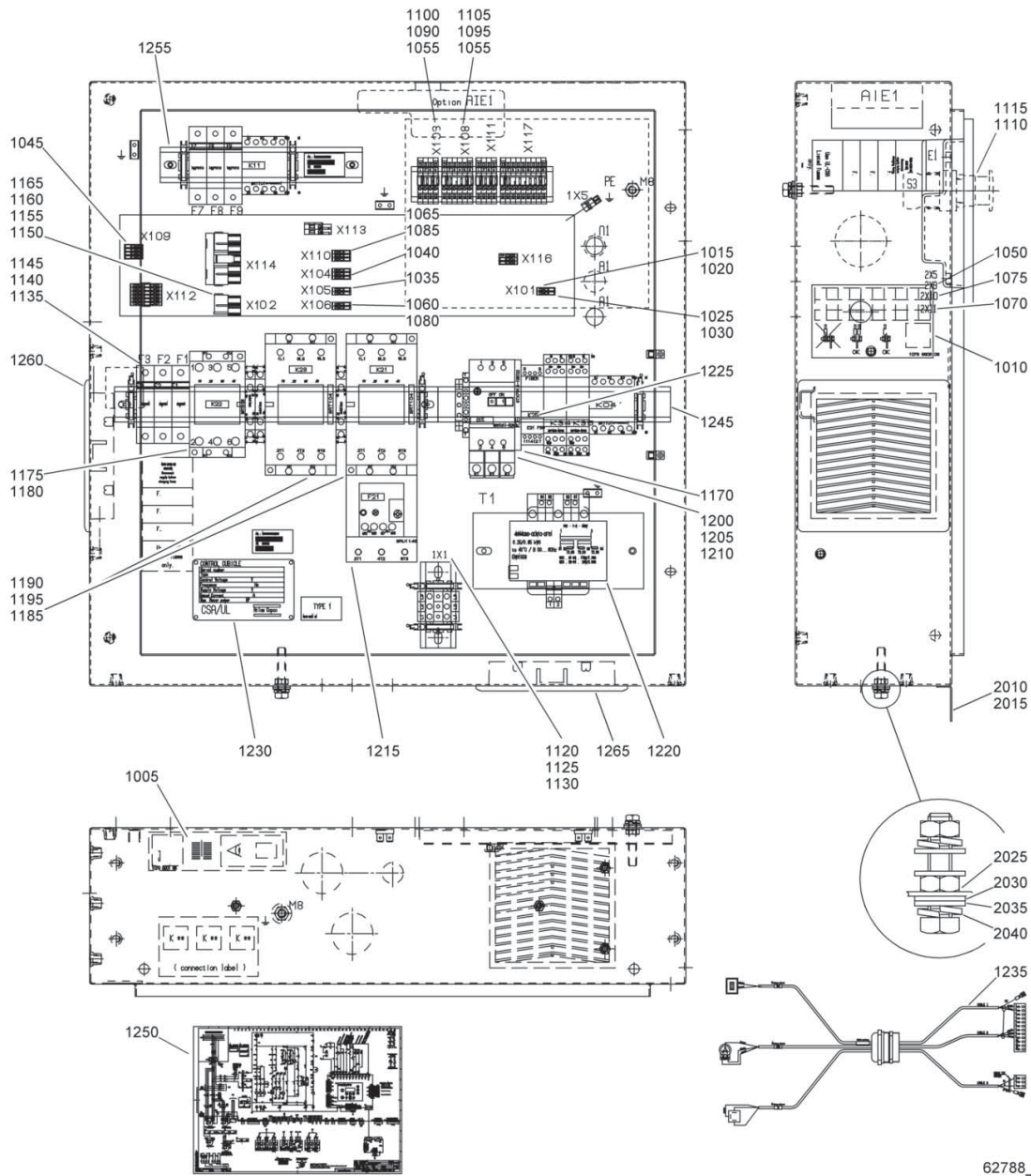
62788\_12

Ref.	Part number	Qty	Name	Remarks	Ref.	Part number	Qty	Name	Remarks
	1089 9415 26		GA 22 380V/50-60Hz			1089 9415 44		GA 11 220V/50-60Hz HAV	
	1089 9415 26		GA 22 400V/50Hz			1089 9415 26		GA 11 380V/50-60Hz	
	1089 9415 26		GA 22 440-460V/60Hz 3ph			1089 9415 24		GA 11 400V/50Hz	
	1089 9415 24		GA 22 500V/50Hz			1089 9415 26		GA 11 440-460V/60Hz 3ph	
	1089 9415 36		GA 30C 220-230V/50-60Hz HAV			1089 9415 24		GA 11 500V/50Hz	
	1089 9415 34		GA 30C 380V/50Hz HAV			1089 9415 44		GA 15 200V/50-60Hz HAV	
	1089 9415 26		GA 30C 400V/50Hz HAV			1089 9415 34		GA 15 220-230V/60Hz	
	1089 9415 34		GA 30C 440-460V/60Hz HAV			1089 9415 34		GA 15 230V/50Hz	
	1089 9415 34		GA 30C 500V/50Hz HAV			1089 9415 26		GA 15 380V/50-60Hz	
1185		• 2	Contactors			1089 9415 26		GA 15 400V/50Hz	
	1089 9415 34		GA 11 220-230V/50-60Hz			1089 9415 26		GA 15 400-460V/60Hz 3ph	
						1089 9415 26		GA 15 500V/50Hz	

Ref.	Part number	Qty	Name	Remarks	Ref.	Part number	Qty	Name	Remarks
	1089 9415 44		GA 18 200V/50Hz HAV		1089 9416 05			GA 15 380V/50-60Hz	
	1089 9415 44		GA 18 200V/60Hz		1089 9416 05			GA 15 400V/50Hz	
	1089 9415 36		GA 18 220-230V/50-60Hz		1089 9416 05			GA 15 400-460V/60Hz 3ph	
	1089 9415 34		GA 18 380V/50-60Hz		1089 9416 05			GA 15 500V/50Hz	
	1089 9415 26		GA 18 400V/50Hz		1089 9362 04			GA 18 200V/50Hz HAV	
	1089 9415 26		GA 18 400-460V/60Hz 3ph		1089 9362 04			GA 18 200V/60Hz	
	1089 9415 26		GA 18 500V/50Hz		1089 9416 93			GA 18 220-230V/50-60Hz	
	1089 9415 44		GA 22 200V/50-60Hz HAV		1089 9416 93			GA 18 380V/50-60Hz	
	1089 9415 44		GA 22 220-230V/60Hz		1089 9416 05			GA 18 400V/50Hz	
	1089 9415 44		GA 22 230V/50Hz HAV		1089 9416 05			GA 18 400-460V/60Hz 3ph	
	1089 9415 34		GA 22 380V/50-60Hz		1089 9416 05			GA 18 500V/50Hz	
	1089 9415 34		GA 22 400V/50Hz		1089 9362 04			GA 22 200V/50-60Hz HAV	
	1089 9415 34		GA 22 440-460V/60Hz 3ph		1089 9362 04			GA 22 220-230V/60Hz	
	1089 9415 26		GA 22 500V/50Hz		1089 9362 04			GA 22 230V/50Hz HAV	
	1089 9415 45		GA 30C 220-230V/50-60Hz HAV		1089 9416 93			GA 22 380V/50-60Hz	
	1089 9415 44		GA 30C 380V/50Hz HAV		1089 9416 93			GA 22 400V/50Hz	
	1089 9415 35		GA 30C 400V/50Hz HAV		1089 9416 93			GA 22 440-460V/60Hz 3ph	
	1089 9415 44		GA 30C 440-460V/60Hz HAV		1089 9416 05			GA 22 500V/50Hz	
	1089 9415 34		GA 30C 500V/50Hz HAV		1089 9362 04			GA 30C 220-230V/50-60Hz HAV	
1190	1089 9415 55	• 1	Contact block		1089 9362 04			GA 30C 380V/50Hz HAV	
1195	1089 9415 56	• 1	Contact block		1089 9416 93			GA 30C 400V/50Hz HAV	
1200	1089 9416 01	• 1	Aux. contact block		1089 9362 04			GA 30C 440-460V/60Hz HAV	
1205		• 1	Circuit breaker		1089 9416 93			GA 30C 500V/50Hz HAV	
	1089 9416 24		GA 11 220-230V/50-60Hz		1215	• 1		Overload relay	
	1089 9416 24		GA 11 220V/50-60Hz HAV		1089 9424 39			GA 11 220-230V/50-60Hz	
	1089 9416 21		GA 11 380V/50-60Hz		1089 9446 16			GA 11 220V/50-60Hz HAV	
	1089 9416 21		GA 11 400V/50Hz		1089 9424 29			GA 11 380V/50-60Hz	
	1089 9416 21		GA 11 440-460V/60Hz 3ph		1089 9424 29			GA 11 400V/50Hz	
	1089 9416 21		GA 11 500V/50Hz		1089 9424 29			GA 11 440-460V/60Hz 3ph	
	1089 9416 24		GA 15 200V/50-60Hz HAV		1089 9424 28			GA 11 500V/50Hz	
	1089 9416 24		GA 15 220-230V/60Hz		1089 9446 16			GA 15 200V/50-60Hz HAV	
	1089 9416 24		GA 15 230V/50Hz		1089 9424 39			GA 15 220-230V/60Hz	
	1089 9416 21		GA 15 380V/50-60Hz		1089 9424 39			GA 15 230V/50Hz	
	1089 9416 21		GA 15 400V/50Hz		1089 9424 31			GA 15 380V/50-60Hz	
	1089 9416 21		GA 15 400-460V/60Hz 3ph		1089 9424 30			GA 15 400V/50Hz	
	1089 9416 21		GA 15 500V/50Hz		1089 9424 29			GA 15 400-460V/60Hz 3ph	
	1089 9416 24		GA 18 200V/50Hz HAV		1089 9424 29			GA 15 500V/50Hz	
	1089 9416 24		GA 18 200V/60Hz		1089 9446 16			GA 18 200V/50Hz HAV	
	1089 9416 24		GA 18 220-230V/50-60Hz		1089 9446 16			GA 18 200V/60Hz	
	1089 9416 21		GA 18 380V/50-60Hz		1089 9424 41			GA 18 220-230V/50-60Hz	
	1089 9416 21		GA 18 400V/50Hz		1089 9424 39			GA 18 380V/50-60Hz	
	1089 9416 21		GA 18 400-460V/60Hz 3ph		1089 9424 31			GA 18 400V/50Hz	
	1089 9416 21		GA 18 500V/50Hz		1089 9424 31			GA 18 400-460V/60Hz 3ph	
	1089 9416 24		GA 22 200V/50-60Hz HAV		1089 9424 31			GA 18 500V/50Hz	
	1089 9416 24		GA 22 220-230V/60Hz		1089 9446 16			GA 22 200V/50-60Hz HAV	
	1089 9416 24		GA 22 230V/50Hz HAV		1089 9424 46			GA 22 220-230V/60Hz	
	1089 9416 21		GA 22 380V/50-60Hz		1089 9446 16			GA 22 230V/50Hz HAV	
	1089 9416 21		GA 22 400V/50Hz		1089 9424 39			GA 22 380V/50-60Hz	
	1089 9416 21		GA 22 440-460V/60Hz 3ph		1089 9424 39			GA 22 400V/50Hz	
	1089 9416 21		GA 22 500V/50Hz		1089 9424 39			GA 22 440-460V/60Hz 3ph	
	1089 9416 26		GA 30C 220-230V/50-60Hz HAV		1089 9424 31			GA 22 500V/50Hz	
	1089 9416 24		GA 30C 380V/50Hz HAV		1089 9424 48			GA 30C 220-230V/50-60Hz HAV	
	1089 9416 23		GA 30C 400V/50Hz HAV		1089 9446 16			GA 30C 380V/50Hz HAV	
	1089 9416 24		GA 30C 440-460V/60Hz HAV		1089 9424 40			GA 30C 400V/50Hz HAV	
	1089 9416 23		GA 30C 500V/50Hz HAV		1089 9446 16			GA 30C 440-460V/60Hz HAV	
1210		• 1	Supply terminal		1089 9424 39			GA 30C 500V/50Hz HAV	
	1089 9416 93		GA 11 220-230V/50-60Hz		1220	• 1		Trafo	
	1089 9362 04		GA 11 220V/50-60Hz HAV		1089 9436 43			GA 11 220-230V/50-60Hz	
	1089 9416 05		GA 11 380V/50-60Hz		1089 9436 44			GA 11 220V/50-60Hz HAV	
	1089 9416 05		GA 11 400V/50Hz		1089 9436 42			GA 11 380V/50-60Hz	
	1089 9416 05		GA 11 440-460V/60Hz 3ph		1089 9436 37			GA11 400V/50Hz	
	1089 9416 05		GA 11 500V/50Hz		1089 9436 42			GA 11 440-460V/60Hz 3ph	
	1089 9362 04		GA 15 200V/50-60Hz HAV		1089 9436 42			GA 11 500V/50Hz	
	1089 9416 93		GA 15 220-230V/60Hz		1089 9436 44			GA 15 200V/50-60Hz HAV	
	1089 9416 93		GA 15 230V/50Hz		1089 9436 43			GA 15 220-230V/60Hz	

# 21

## Start cubicle - Star / Delta - Elektronikon II - IEC - 2 )



62788\_12

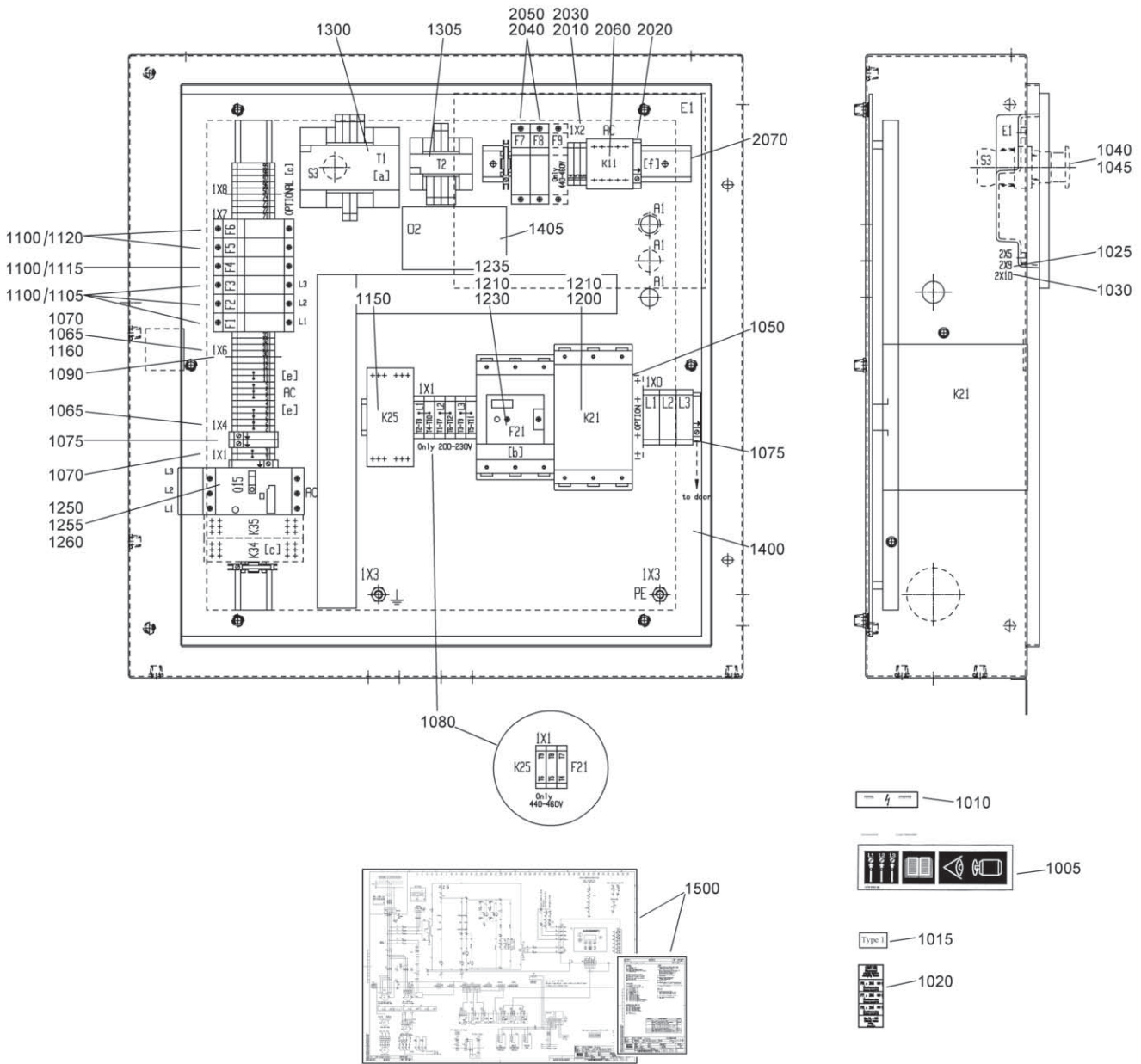
62788\_12

Ref.	Part number	Qty	Name	Remarks	Ref.	Part number	Qty	Name	Remarks
1089	9436 43		GA 15 230V/50Hz		1089	9436 44		GA 22 200V/50-60Hz HAV	
1089	9436 42		GA 15 380V/50-60Hz		1089	9436 44		GA 22 220-230V/60Hz	
1089	9436 37		GA 15 400V/50Hz		1089	9436 44		GA 22 230V/50Hz HAV	
1089	9436 42		GA 15 400-460V/60Hz 3ph		1089	9436 43		GA 22 380V/50-60Hz	
1089	9436 42		GA 15 500V/50Hz		1089	9436 38		GA 22 400V/50Hz	
1089	9436 44		GA 18 200V/50Hz HAV		1089	9436 43		GA 22 440-460V/60Hz 3ph	
1089	9436 44		GA 18 200V/60Hz		1089	9436 42		GA 22 500V/50Hz	
1089	9436 44		GA 18 220-230V/50-60Hz		1089	9436 44		GA 30C 220-230V/50-60Hz HAV	
1089	9436 43		GA 18 380V/50-60Hz		1089	9436 44		GA 30C 380V/50Hz HAV	
1089	9436 37		GA 18 400V/50Hz		1089	9436 38		GA 30C 400V/50Hz HAV	
1089	9436 42		GA 18 400-460V/60Hz 3ph		1089	9436 44		GA 30C 440-460V/60Hz HAV	
1089	9436 42		GA 18 500V/50Hz		1089	9436 43		GA 30C 500V/50Hz HAV	



Ref.	Part number	Qty	Name	Remarks	Ref.	Part number	Qty	Name	Remarks
1225		• 1	Phase seq relay			<b>1622 0122 85</b>		GA 22 380V/50-60Hz	
	1089 9591 01		GA 11 220-230V/50-60Hz			<b>1622 0122 85</b>		GA 22 400V/50Hz	
	1089 9591 01		GA 11 220V/50-60Hz HAV			<b>1622 0122 85</b>		GA 22 440-460V/60Hz 3ph	
	1089 9461 03		GA 11 380V/50-60Hz			<b>1622 0122 85</b>		GA 22 500V/50Hz	
	1089 9461 06		GA 11 400V/50Hz			<b>1622 0361 85</b>		GA 30C 220-230V/50-60Hz	
	1089 9461 03		GA 11 440-460V/60Hz 3ph					HAV	
	1089 9461 03		GA 11 500V/50Hz			<b>1622 0548 85</b>		GA 30C 380V/50Hz HAV	
	1089 9591 01		GA 15 200V/50-60Hz HAV			<b>1622 0361 85</b>		GA 30C 400V/50Hz HAV	
	1089 9591 01		GA 15 220-230V/60Hz			<b>1622 0548 85</b>		GA 30C 440-460V/60Hz	
	1089 9591 01		GA 15 230V/50Hz					HAV	
	1089 9461 03		GA 15 380V/50-60Hz			<b>1622 0361 85</b>		GA 30C 500V/50Hz HAV	
	1089 9461 06		GA 15 400V/50Hz		2010		•• 1	Cubicle	
	1089 9461 03		GA 15 400-460V/60Hz 3ph			1622 0361 05		GA 11 220-230V/50-60Hz	
	1089 9461 03		GA 15 500V/50Hz			1622 0548 05		GA 11 220V/50-60Hz HAV	
	1089 9591 01		GA 18 200V/50Hz HAV			1622 0361 05		GA 11 380V/50-60Hz	
	1089 9591 01		GA 18 200V/60Hz			1622 0361 05		GA 11 400V/50Hz	
	1089 9591 01		GA 18 220-230V/50-60Hz			1622 0361 05		GA 11 440-460V/60Hz 3ph	
	1089 9461 03		GA 18 380V/50-60Hz			1622 0361 05		GA 11 500V/50Hz	
	1089 9461 06		GA 18 400V/50Hz			1622 0548 05		GA 15 200V/50-60Hz HAV	
	1089 9461 03		GA 18 400-460V/60Hz 3ph			1622 0361 05		GA 15 220-230V/60Hz	
	1089 9461 03		GA 18 500V/50Hz			1622 0361 05		GA 15 230V/50Hz	
	1089 9591 01		GA 22 200V/50-60Hz HAV			1622 0361 05		GA 15 380V/50-60Hz	
	1089 9591 01		GA 22 220-230V/60Hz			1622 0361 05		GA 15 400V/50Hz	
	1089 9591 01		GA 22 230V/50Hz HAV			1622 0361 05		GA 15 400-460V/60Hz 3ph	
	1089 9461 03		GA 22 380V/50-60Hz			1622 0361 05		GA 15 500V/50Hz	
	1089 9461 06		GA 22 400V/50Hz			1622 0548 05		GA 18 200V/50Hz HAV	
	1089 9461 03		GA 22 440-460V/60Hz 3ph			1622 0548 05		GA 18 200V/60Hz	
	1089 9461 03		GA 22 500V/50Hz			1622 0361 05		GA 18 220-230V/50-60Hz	
	1089 9591 01		GA 30C 220-230V/50-60Hz			1622 0361 05		GA 18 380V/50-60Hz	
			HAV			1622 0361 05		GA 18 400V/50Hz	
	1089 9591 01		GA 30C 380V/50Hz HAV			1622 0361 05		GA 18 400-460V/60Hz 3ph	
	1089 9461 06		GA 30C 400V/50Hz HAV			1622 0361 05		GA 18 500V/50Hz	
	1089 9591 01		GA 30C 440-460V/60Hz HAV			1622 0548 05		GA 22 200V/50-60Hz HAV	
	1089 9461 03		GA 30C 500V/50Hz HAV			1622 0361 05		GA 22 220-230V/60Hz	
1230	1613 6639 00	• 1	Data plate			1622 0548 05		GA 22 230V/50Hz HAV	
1235	1622 0005 42	• 1	Wiring			1622 0361 05		GA 22 380V/50-60Hz	
1245	9139 5000 16	• AR	Rail			1622 0361 05		GA 22 400V/50Hz	
1250	9820 3554 06	• 1	Service diagram			1622 0361 05		GA 22 440-460V/60Hz 3ph	
1255	9139 5000 16	• AR	Rail			1622 0361 05		GA 22 500V/50Hz	
1260	1089 9556 15	• 1	Air inlet left			1622 0361 05		GA 30C 220-230V/50-60Hz	
1265	1089 9556 05	• 1	Air inlet right					HAV	
		• 1	<b>Assembly drawing</b>			1622 0548 05		GA 30C 380V/50Hz HAV	
	<b>1622 0122 85</b>		GA 11 220-230V/50-60Hz			1622 0361 05		GA 30C 400V/50Hz HAV	
	<b>1622 0548 85</b>		GA 11 220V/50-60Hz HAV			1622 0548 05		GA 30C 440-460V/60Hz	
	<b>1622 0122 85</b>		GA 11 380V/50-60Hz					HAV	
	<b>1622 0122 85</b>		GA 11 400V/50Hz			1622 0361 05		GA 30C 500V/50Hz HAV	
	<b>1622 0122 85</b>		GA 11 440-460V/60Hz 3ph		2015	1202 6584 00	•• AR	Seal	
	<b>1622 0122 85</b>		GA 11 500V/50Hz		2025	0268 7110 00	•• 2	Nut	
	<b>1622 0548 85</b>		GA 15 200V/50-60Hz HAV		2030	0300 0275 05	•• 2	Washer	
	<b>1622 0122 85</b>		GA 15 220-230V/60Hz		2035	0301 2335 00	•• 2	Washer	
	<b>1622 0122 85</b>		GA 15 230V/50Hz		2040	0333 2174 37	•• 2	Spring washer	
	<b>1622 0122 85</b>		GA 15 380V/50-60Hz						
	<b>1622 0122 85</b>		GA 15 400V/50Hz						
	<b>1622 0122 85</b>		GA 15 400-460V/60Hz 3ph		2)			From following serial No. onwards:	
	<b>1622 0122 85</b>		GA 15 500V/50Hz					Geldig vanaf volgend serienummer:	
	<b>1622 0548 85</b>		GA 18 200V/50Hz HAV					Fr.o.m. tillverkningsnummer:	
	<b>1622 0548 85</b>		GA 18 200V/60Hz					Gültig ab Seriennummer:	
	<b>1622 0122 85</b>		GA 18 220-230V/50-60Hz					Valable à partir du numéro de série suivant:	
	<b>1622 0122 85</b>		GA 18 380V/50-60Hz					A partir del siguiente número de serie:	
	<b>1622 0122 85</b>		GA 18 400V/50Hz					Dai seguenti numeri di serie in avanti:	
	<b>1622 0122 85</b>		GA 18 400-460V/60Hz 3ph					Gælder fra følgende serienumre:	
	<b>1622 0122 85</b>		GA 18 500V/50Hz					A partir do número de série:	
	<b>1622 0548 85</b>		GA 22 200V/50-60Hz HAV					Fra og med følgende serienummer:	
	<b>1622 0122 85</b>		GA 22 220-230V/60Hz					Alkaen valmistusnumerosta	
	<b>1622 0548 85</b>		GA 22 230V/50Hz HAV					AII 286 500	

22



61599\_12

61599\_12

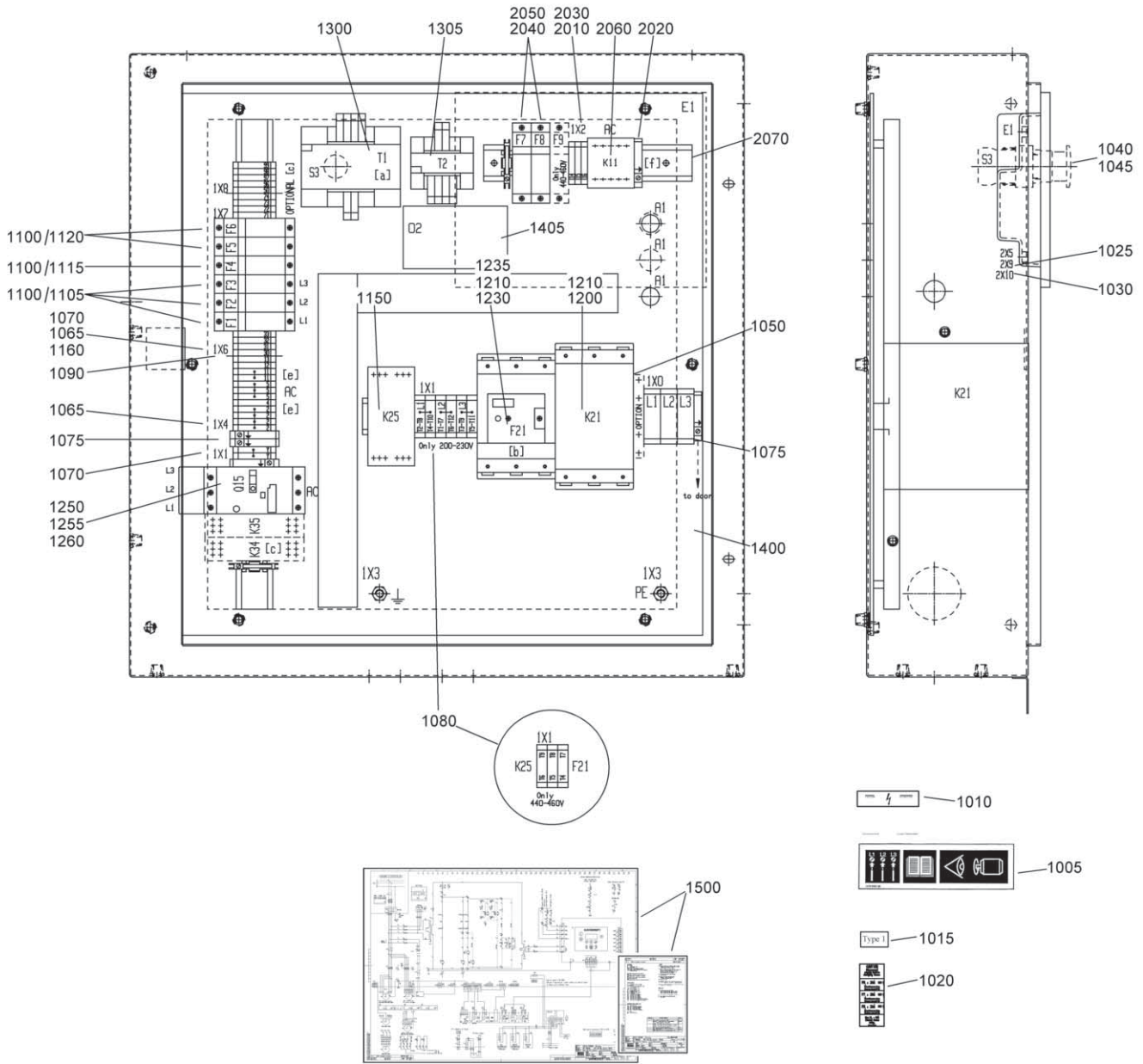
Ref.	Part number	Qty	Name	Remarks	Ref.	Part number	Qty	Name	Remarks
		1	<b>Electr. panel</b>						
	1900 2056 01		GA11 200-230V			1900 2056 06		GA18 460V 3-phase dryer	
	1900 2056 05		GA11 460V 3-phase dryer			1900 2056 11		GA18 575V	
	1900 2056 09		GA11 575V			1900 2056 04		GA22 200V	
	1900 2056 02		GA15 200-230V			1900 2056 04		GA22 230V	
	1900 2056 06		GA15 460V 3-phase dryer			1900 2056 07		GA22 460V 3-phase dryer	
	1900 2056 10		GA15 575V			1900 2056 11		GA22 575V	
	1900 2056 04		GA18 200V			1900 2056 08		GA30C 460V	
	1900 2056 03		GA18 200-230V			1900 2056 12		GA30C 575V	



## Start cubicle - DOL - Elektronikon I - CSA/UL - 1)

Ref.	Part number	Qty	Name	Remarks	Ref.	Part number	Qty	Name	Remarks
1005	1079 9901 68	• 1	Warning label		1105	1089 9168 26	• 3	Fuse	
1010	1613 3431 00	• 1	Label		1115	1089 9168 07	• 1	Fuse	
1015	1079 9911 01	• 1	Label		1120	1089 9168 09	• 2	Fuse	
1020	1079 9922 51	• 1	Label		1150	1089 9461 02	• 1	Phase sequence relay	
1025	1088 0031 06	• 1	Connector		1160		• 1	Terminal	
1030	1088 0031 32	• 1	Connector			1089 0506 63		GA22 460V 3-phase dryer	
1040	1089 0362 50	• 2	Contact block		1200		• 1	Contacteur	
1045	1089 0362 51	• 1	Push button			1089 9415 45		GA11 200-230V	
1050		• 1	Terminal			1089 9415 34		GA11 460V 3-phase dryer	
	1089 0506 04		GA11 200-230V			1089 9415 34		GA11 575V	
	1089 0506 07		GA11 460V 3-phase dryer			1089 9415 46		GA15 200-230V	
	1089 0506 07		GA11 575V			1089 9415 36		GA15-18 460V 3-phase dryer	
	1089 0506 04		GA15 200-230V			1089 9415 34		GA15 575V	
	1089 0506 07		GA15-18 460V 3-phase dryer			1089 9221 48		GA18 230V	
	1089 0506 07		GA15 575V			1089 9221 93		GA18-22 200V, GA22 230V	
	1089 0506 07		GA18-22 575V			1089 9415 36		GA18-22 575V	
	1089 0506 04		GA22 460V 3-phase dryer			1089 9415 45		GA22 460V 3-phase dryer	
	1089 0506 04		GA30C 460V			1089 9415 46		GA30C 460V	
	1089 0506 04		GA30C 575V			1089 9415 45		GA30C 575V	
1065		•	Terminal		1210		• 4	Terminal cover	
	1089 0506 63	4	GA11 200-230V			1089 9362 09		GA18-22 200V, GA22 230V	
	1089 0506 64	1	GA11 460V/60Hz 3-phase dryer			1089 9362 09		GA18 230V	
	1089 0506 63	4	GA11 575V		1230		• 1	Overload relay	
	1089 0506 63	4	GA15 200-230V			1089 9424 46		GA11 200-230V	
	1089 0506 63	1	GA15-18 460V/60Hz 3-phase dryer			1089 9424 38		GA11 460V 3-phase dryer	
	1089 0506 64	1	GA15-18 460V/60Hz 3-phase dryer			1089 9424 37		GA11 575V	
	1089 0506 63	4	GA15 575V			1089 9424 47		GA15 200-230V	
	1089 0506 63	4	GA18 230V			1089 9424 39		GA15-18 460V 3-phase dryer	
	1089 0506 63	4	GA18-22 200V, GA22 230V			1089 9424 38		GA15 575V	
	1089 0506 63	4	GA18-22 575V			1089 9205 12		GA18 230V	
	1089 0506 64	1	GA22 460V/60Hz 3-phase dryer			1089 9205 13		GA18-22 200V, GA22 230V	
	1089 0506 63	4	GA30C 460V/60Hz			1089 9424 39		GA18-22 575V	
	1089 0506 63	4	GA30C 575V			1089 9424 45		GA22 460V 3-phase dryer	
1070		•	Terminal			1089 9424 46		GA30C 460V	
	1089 0506 62	3	GA11 200-230V		1235		• 1	Connector/adapt	
	1089 0506 62	5	GA11 460V 3-phase dryer			1089 9424 99		GA11 200-230V	
	1089 0506 62	3	GA11 575V			1089 9424 98		GA11 460V 3-phase dryer	
	1089 0506 62	3	GA15 200-230V			1089 9424 98		GA11 575V	
	1089 0506 62	5	GA15-18 460V 3-phase dryer			1089 9424 99		GA15 200-230V	
	1089 0506 62	3	GA15 575V			1089 9424 98		GA15-18 460V 3-phase dryer	
	1089 0506 62	3	GA18 230V			1089 9424 98		GA15 575V	
	1089 0506 62	3	GA18-22 200V, GA22 230V			1089 9424 98		GA18-22 575V	
	1089 0506 62	3	GA18-22 575V			1089 9424 99		GA22 460V 3-phase dryer	
	1089 0506 62	5	GA22 460V 3-phase dryer			1089 9424 99		GA30C 460V	
	1089 0506 62	3	GA30C 460V		1250	1089 9416 01	• 1	Aux.contact block	
	1089 0506 62	3	GA30C 575V		1255		• 1	Circuit breaker	
1075	1089 0506 27	• 4	Terminal			1089 9416 65		GA11 200-230V	
1080		•	Terminal			1089 9416 62		GA11 460V 3-phase dryer	
	1089 0506 06	6	GA11 200-230V			1089 9416 62		GA11 575V	
	1089 0506 63	2	GA11 460V 3-phase dryer			1089 9416 65		GA15 200-230V	
	1089 0506 06	6	GA15 200-230V			1089 9416 62		GA15-18 460V 3-phase dryer	
	1089 0506 61	1	GA15-18 460V 3-phase dryer			1089 9416 62		GA15 575V	
	1089 0506 03	6	GA18 230V			1089 9416 65		GA18-22 200V, GA22 230V	
	1089 0506 03	6	GA18-22 200V, GA22 230V			1089 9416 65		GA18 230V	
	1089 0506 61	1	GA22 460V 3-phase dryer			1089 9416 62		GA18-22 575V	
	1089 0506 07	1	GA30C 460V			1089 9416 62		GA22 460V 3-phase dryer	
1090	1089 0506 23	• 1	Barrier			1089 9416 63		GA30C 460V	
1100	1089 0612 01	• 6	Fuse holder		1260	1089 9416 61	• 1	GA30C 575V	
						1089 9416 75	• 1	Connection block	

# 22

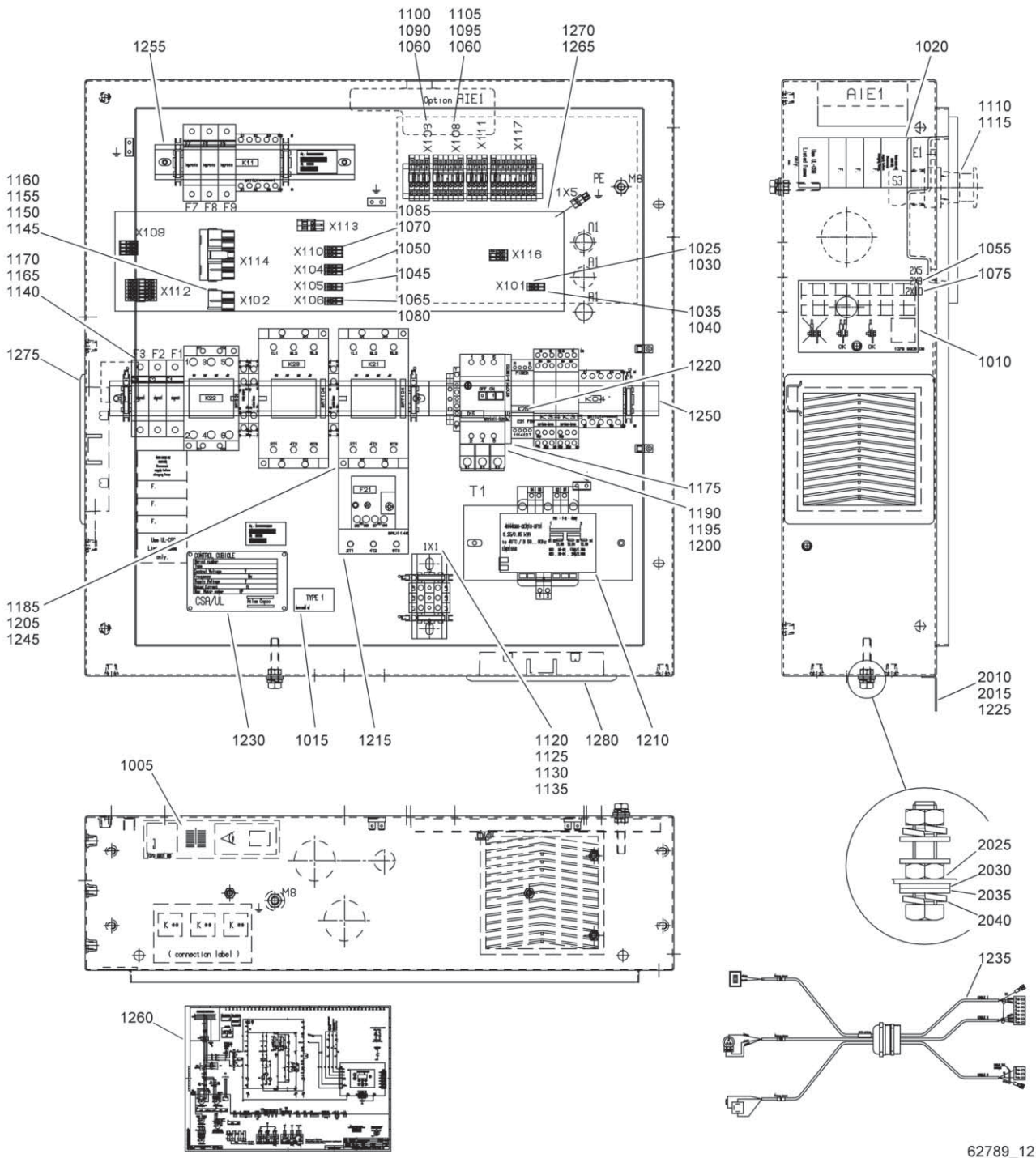


61599\_12

## Start cubicle - DOL - Elektronikon I - CSA/UL - 1)

Ref.	Part number	Qty	Name	Remarks	Ref.	Part number	Qty	Name	Remarks
1300	• 1089 9436 02	1	Transformer			1089 0612 01	2	GA18-22 FF 220-230V, GA11-15-18-22-30C FF 575V, GA30C 460V	
	• 1089 9436 02		GA11 200-230V			2050	•	Fuse link	
	• 1089 9436 02		GA15 200-230V			1089 9168 54	3	GA11-15-18-22 FF 460V 3-phase dryer	
	• 1089 9436 02		GA18 230V			1089 9168 62	2	GA18-22 FF 220-230V, GA11-15-18-22-30C FF 575V, GA30C 460V	
	• 1089 9436 02		GA18-22 200V, GA22 230V			2060	• 1	Contacto	
	• 1089 9436 01		GA11 460V 3-phase dryer			1089 9415 14		GA11-15-18-22 FF 460V 3-phase dryer	
	• 1089 9436 01		GA15-18 460V 3-phase dryer			1089 9415 15		GA18-22 FF 220-230V, GA11-15-18-22-30C FF 575V, GA30C 460V	
	• 1089 9135 03		GA22 460V 3-phase dryer			2070	9139 5000 16	• AR Rail	
	• 1089 9436 02		GA30C 460V			1)		Up to serial No. :	
	• 1089 9436 01		GA11 575V					Tot serienummer:	
	• 1089 9436 01		GA15 575V					T.o.m. tillverkningsnummer:	
	• 1089 9436 01		GA18-22 575V					Bis Seriennummer:	
	• 1089 9436 02		GA30C 575V					Jusqu'au numéro de série:	
1305	• 1089 9135 03	1	Transformer					Hasta el número de serie:	
1400	• 1622 0070 00	1	Mounting plate					Fino al numeri di serie:	
	• 1622 0070 01		GA11 200-230V					Gælder til følgende serienumre:	
	• 1622 0070 01		GA11 460V 3-phase dryer					Até o número de série:	
	• 1622 0070 00		GA11 575V					Til følgende serienummer:	
	• 1622 0070 00		GA15 200-230V					Seuraavaan valmistusnumeroon asti, No.:	
	• 1622 0070 01		GA15-18 460V 3-phase dryer					All 286 499	
	• 1622 0070 00		GA15 575V						
	• 1622 0070 00		GA18-22 200V, GA22 230V						
	• 1622 0070 00		GA18 230V						
	• 1622 0070 00		GA18-22 575V						
	• 1622 0070 01		GA22 460V 3-phase dryer						
	• 1622 0070 00		GA30C 460V						
	• 1622 0070 00		GA30C 575V						
1405	• 1614 8949 00	1	Data plate						
1500	• 9820 3554 03	1	Service diagram						
	• 9820 3554 04		GA11 200-230V						
	• 9820 3554 03		GA11 460V 3-phase dryer						
	• 9820 3554 03		GA11 575V						
	• 9820 3554 03		GA15 200-230V						
	• 9820 3554 04		GA15-18 460V 3-phase dryer						
	• 9820 3554 03		GA15 575V						
	• 9820 3554 03		GA18-22 200V, GA22 230V						
	• 9820 3554 03		GA18 230V						
	• 9820 3554 03		GA18-22 575V						
	• 9820 3554 04		GA22 460V 3-phase dryer						
	• 9820 3554 03		GA30C 460V						
	• 9820 3554 03		GA30C 575V						
	• 1900 2056 80	1	<b>Dryer rail</b>						
	• 1900 2056 81		GA11-15 FF 575V						
	• 1900 2056 80		GA11-15 FF 460V 3-phase dryer						
	• 1900 2056 81		GA18-22 FF 220-230V						
	• 1900 2056 80		GA18-22 FF 460V 3-phase dryer						
	• 1900 2056 80		GA18-22 FF 575V						
	• 1900 2056 80		GA30C FF 575V						
	• 1900 2056 80		GA30C FF 460V						
2010	• 1089 0506 27	1	Terminal						
2020	• 1089 0506 30	1	End bracket						
2030	• 1089 0506 62	3	Terminal						
	• 1089 0506 62		GA11-15-18-22 FF 460V 3-phase dryer						
	• 1089 0506 62	2	GA18-22 FF 220-230V, GA11-15-18-22-30C FF 575V, GA30C 460V						
2040	• 1089 0612 01	3	Fuse holder						
	• 1089 0612 01		GA11-15-18-22 FF 460V 3-phase dryer						

# 23



62789\_12

62789\_12

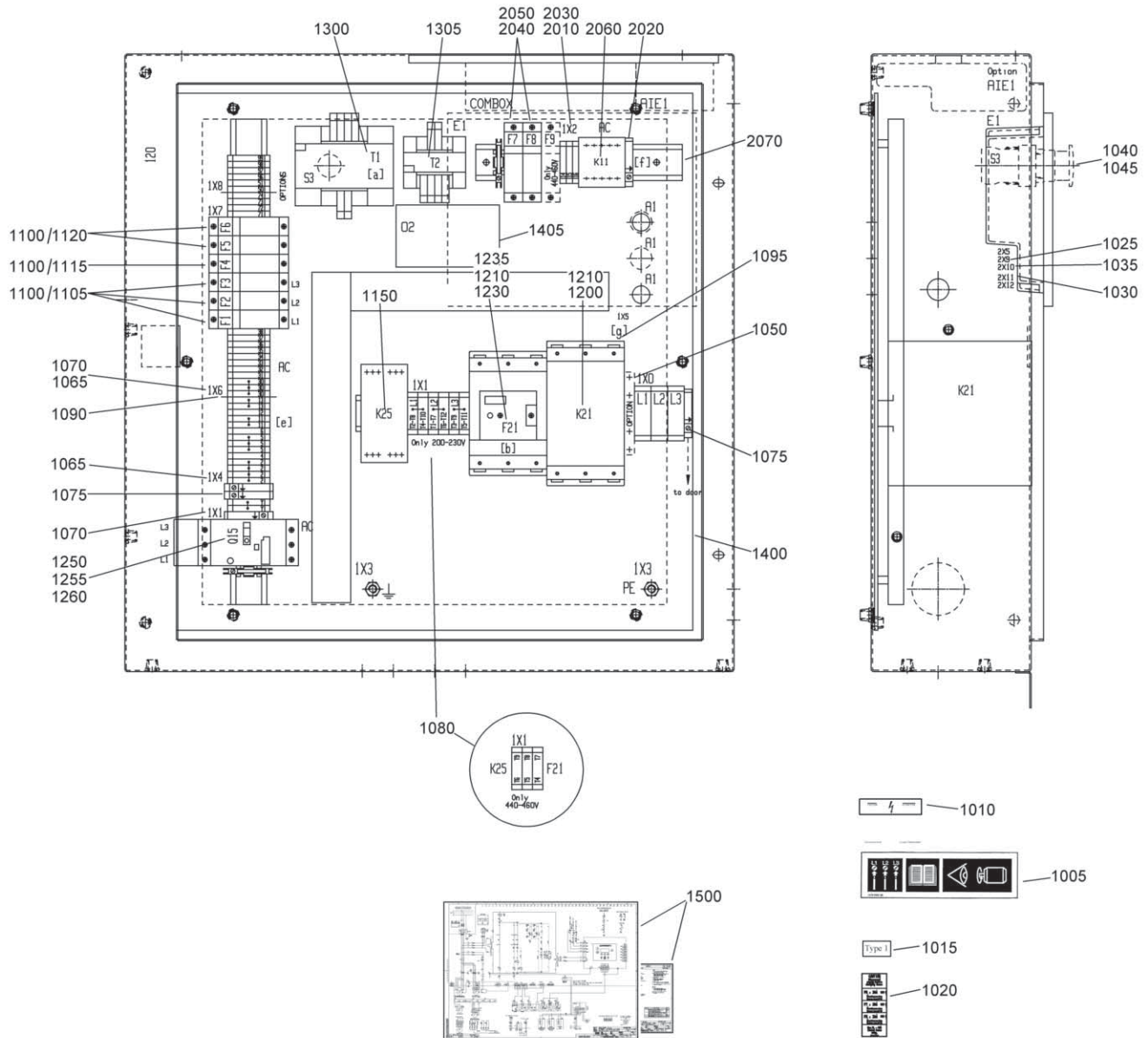
Ref.	Part number	Qty	Name	Remarks	Ref.	Part number	Qty	Name	Remarks
		<b>1</b>	<b>Electr. panel</b>						
	1900 2057 55		GA 11 200-230V/60Hz			1900 2057 52		GA 15 575V/60Hz	
	1900 2057 50		GA 11 440-460V/60Hz			1900 2057 51		GA 18 440-460V/60Hz	
	1900 2057 52		GA 11 575V/60Hz			1900 2057 53		GA 18 575V/60Hz	
	1900 2057 55		GA 15 200-230V/60Hz			1900 2057 51		GA 22 440-460V/60Hz	
	1900 2057 50		GA 15 440-460V/60Hz			1900 2057 53		GA 22 575V/60Hz	
						1900 2057 54		GA 30C 440-575V/60Hz HAV	



## Start cubicle - DOL - Elektronikon I - CSA/UL - 2)

Ref.	Part number	Qty	Name	Remarks	Ref.	Part number	Qty	Name	Remarks
1005	1079 9901 68	• 1	Warning label			1089 9436 42		GA 11-15 575V/60Hz	
1010	1079 9906 09	• 1	Label			1089 9436 42		GA 18-22 440-460V/60Hz	
1015	1079 9911 01	• 1	Label			1089 9436 42		GA 18-22 575V/60Hz	
1020	1079 9924 27	• 1	Label			1089 9436 43		GA 30C 440-575V/60Hz HAV	
1025	1088 0015 02	• 1	Connector plug		1215		• 1	Overload relay	
1030	1088 0015 16	• 2	Connector pin			1089 9446 16		GA 11-15 200-230V/60Hz	
1035	1088 0015 22	• 1	Connector plug			1089 9424 38		GA 11-15 440-460V/60Hz	
1040	1088 0015 36	• 2	Connector socket			1089 9424 37		GA 11-15 575V/60Hz	
1045	1088 0031 02	• 1	Connector			1089 9424 41		GA 18-22 440-460V/60Hz	
1050	1088 0031 03	• 1	Connector			1089 9424 39		GA 18-22 575V/60Hz	
1055	1088 0031 06	• 1	Connector			1089 9424 46		GA 30C 440-575V/60Hz HAV	
1060	1088 0031 18	• 4	Adaptor		1220		• 1	Phase seq relay	
1065	1088 0031 22	• 2	Connector			1089 9591 01		GA 11-15 200-230V/60Hz	
1070	1088 0031 23	• 1	Connector			1089 9461 03		GA 11-15 440-460V/60Hz	
1075	1088 0031 32	• 1	Connector			1089 9461 04		GA 11-15 575V/60Hz	
1080	1088 0031 82	• 2	Connector			1089 9461 03		GA 18-22 440-460V/60Hz	
1085	1088 0031 83	• 1	Connector			1089 9461 04		GA 18-22 575V/60Hz	
1090	1088 0031 84	• 1	Connector			1089 9461 04		GA 30C 440-575V/60Hz HAV	
1095	1088 0031 86	• 1	Connector		1225	1613 3431 00	• 1	Label	
1100	1088 0037 04	• 1	Connector		1230	1614 8949 00	• 1	Data plate	
1105	1088 0037 06	• 1	Connector		1235	1622 0005 40	• 1	Wiring	
1110	1089 0362 50	• 2	Contact block		1245	1622 1692 00	• 3	Connection element	
1115	1089 0362 51	• 1	Push button		1250	9139 5000 16	• AR	Rail	
1120		• 2	Terminal		1255	9139 5000 16	• AR	Rail	
	1089 0506 07		GA 11-15 200-230V/60Hz		1260	9820 3554 10	• 1	Service diagram	
	1089 0506 09		GA 11-15 440-460V/60Hz		1265	1089 0577 36	• 3	Terminal	
	1089 0506 09		GA 18-22 440-460V/60Hz		1270	1089 0577 37	• 1	Terminal cover	
	1089 0506 07		GA 30C 440-575V/60Hz HAV		1275	1089 9556 15	• 1	Air inlet left	
1125	1089 0506 27	• 1	Terminal		1280	1089 9556 05	• 1	Air inlet right	
1130	1089 0506 30	• 2	End bracket				• 1	<b>Assembly drawing</b>	
1135	1089 0506 75	• 1	Terminal			<b>1622 0122 85</b>		GA 11-15 200-230V/60Hz	
1140	1089 0612 01	• 3	Fuse holder			<b>1622 0122 85</b>		GA 11-15 440-460V/60Hz	
1145	1089 0700 01	• 1	Connector			<b>1622 0122 85</b>		GA 11-15 575V/60Hz	
1150	1089 0700 02	• 1	Connector			<b>1622 0122 85</b>		GA 18-22 440-460V/60Hz	
1155	1089 0700 03	• 4	Connector pin			<b>1622 0122 85</b>		GA 18-22 575V/60Hz	
1160	1089 0700 04	• 8	Connector socket			<b>1622 0548 85</b>		GA 30C 440-575V/60Hz HAV	
1165	1089 9168 24	• 2	Fuse link		2010		•• 1	Cubicle	
1170	1089 9168 36	• 1	Fuse link			1622 0361 05		GA 11-15 200-230V/60Hz	
1175	1089 9388 18	• 1	Interface relay			1622 0361 05		GA 11-15 440-460V/60Hz	
1185		• 1	Contact			1622 0361 05		GA 11-15 575V/60Hz	
	1089 9415 46		GA 11-15 200-230V/60Hz			1622 0361 05		GA 18-22 440-460V/60Hz	
	1089 9415 35		GA 11-15 440-460V/60Hz			1622 0361 05		GA 18-22 575V/60Hz	
	1089 9415 34		GA 11-15 575V/60Hz			1622 0548 05		GA 30C 440-575V/60Hz HAV	
	1089 9415 36		GA 18-22 440-460V/60Hz		2015	1202 6584 00	•• AR	Seal	
	1089 9415 36		GA 18-22 575V/60Hz		2025	0268 7110 00	•• 2	Nut	
	1089 9415 45		GA 30C 440-575V/60Hz HAV		2030	0300 0275 05	•• 2	Washer	
1190	1089 9416 01	• 1	Aux.contact block		2035	0301 2335 00	•• 2	Washer	
1195		• 1	Circuit breaker		2040	0333 2174 37	•• 2	Spring washer	
	1089 9416 65		GA 11-15 200-230V/60Hz						
	1089 9416 63		GA 11-15 440-460V/60Hz		2)			From following serial No. onwards:	
	1089 9416 61		GA 11-15 575V/60Hz					Geldig vanaf volgend serienummer:	
	1089 9416 63		GA 18-22 440-460V/60Hz					Fr.o.m. tillverkningsnummer:	
	1089 9416 61		GA 18-22 575V/60Hz					Gültig ab Seriennummer:	
	1089 9416 62		GA 30C 440-575V/60Hz HAV					Valable à partir du numéro de série suivant:	
1200	1089 9416 75	• 1	Connection block					A partir del siguiente número de serie:	
1205		• 1	Cover					Dai seguenti numeri di serie in avanti:	
	1089 9362 04		GA 11-15 200-230V/60Hz					Gælder fra følgende serienumre:	
	1089 9416 93		GA 11-15 440-460V/60Hz					A partir do número de série:	
	1089 9416 93		GA 11-15 575V/60Hz					Fra og med følgende serienummer:	
	1089 9416 93		GA 18-22 440-460V/60Hz					Alkaen valmistusnumerosta	
	1089 9416 93		GA 18-22 575V/60Hz					AII 286 500	
	1089 9362 04		GA 30C 440-575V/60Hz HAV						
1210		• 1	Trafo						
	1089 9436 43		GA 11-15 200-230V/60Hz						
	1089 9436 42		GA 11-15 440-460V/60Hz						

# 24



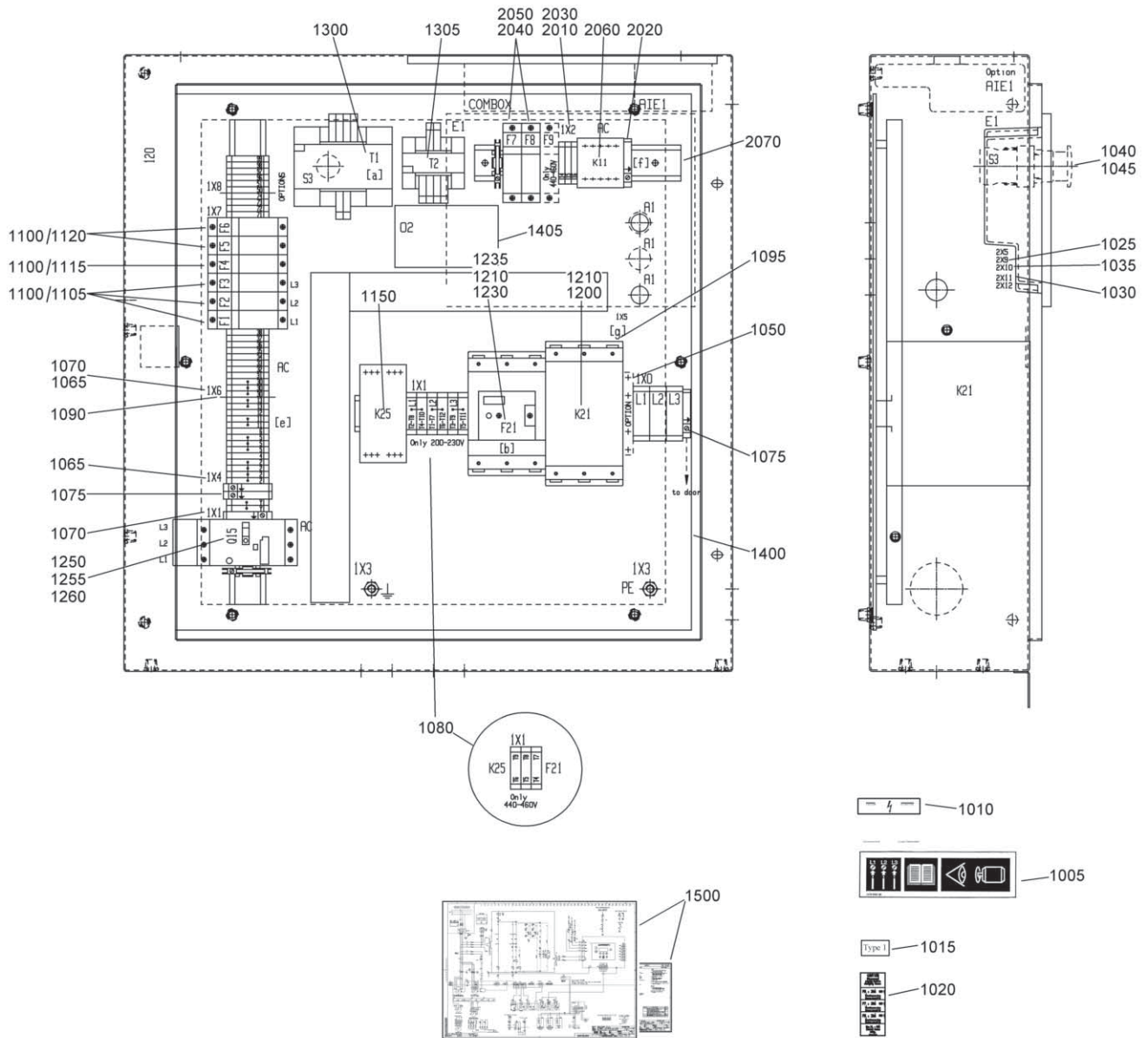
61603\_12

## Start cubicle - DOL - Elektronikon II - CSA/UL - 1)

Ref.	Part number	Qty	Name	Remarks	Ref.	Part number	Qty	Name	Remarks
		1	<b>Electr. panel</b>		1115	1089 9168 07	• 1	Fuse	
	1900 2056 51		GA11 200-230V		1120	1089 9168 09	• 2	Fuse	
	1900 2056 55		GA11 460V 3-phase dryer		1150	1089 9461 02	• 1	Phase seq relay	
	1900 2056 59		GA11 575V		1200		• 1	Contacteur	
	1900 2056 52		GA15 200-230V			1089 9415 45		GA11 200-230V	
	1900 2056 56		GA15 460V 3-phase			1089 9415 34		GA11 460V 3-phase dryer	
	1900 2056 60		GA15 575V			1089 9415 34		GA11 575V	
	1900 2056 54		GA18 200-230V			1089 9415 46		GA15 200-230V	
	1900 2056 53		GA18 230V			1089 9415 36		GA15-18 460V 3-phase	
	1900 2056 56		GA18 460V 3-phase			1089 9415 34		GA15 575V	
	1900 2056 61		GA18 575V			1089 9221 93		GA18-22 200V, GA22 230V	
	1900 2056 54		GA22 200-230V			1089 9221 48		GA18 230V	
	1900 2056 57		GA22 460V 3-phase dryer			1089 9415 36		GA18-22 575V	
	1900 2056 61		GA22 575V			1089 9415 45		GA22 460V 3-phase dryer	
	1900 2056 58		GA30C 460V			1089 9415 46		GA30C 460V	
	1900 2056 62		GA30C 575V			1089 9415 45		GA30C 575V	
1005	1079 9901 68	• 1	Warning label		1210		• 4	Terminal cover	
1010	1613 3431 00	• 1	Label			1089 9362 09		GA18-22 200V, GA22 230V	
1015	1079 9911 01	• 1	Label			1089 9362 09		GA18 230V	
1020	1079 9922 51	• 1	Label		1230		• 1	Overload relay	
1025	1088 0031 13	• 1	Connector			1089 9424 46		GA11 200-230V	
1030	1088 0031 29	• 1	Connector			1089 9424 38		GA11 460V 3-phase dryer	
1035	1088 0031 49	• 1	Connector			1089 9424 37		GA11 575V	
1040	1089 0362 50	• 2	Contact block			1089 9424 47		GA15 200-230V	
1045	1089 0362 51	• 1	Push button			1089 9424 39		GA15-18 460V 3-phase	
1050		• 1	Terminal			1089 9424 38		GA15 575V	
	1089 0506 04		GA11 200-230V			1089 9205 13		GA18-22 200V, GA22 230V	
	1089 0506 07		GA11 460V 3-phase dryer			1089 9205 12		GA18 230V	
	1089 0506 07		GA11 575V			1089 9424 39		GA18-22 575V	
	1089 0506 04		GA15 200-230V			1089 9424 45		GA22 460V 3-phase dryer	
	1089 0506 07		GA15-18 460V 3-phase			1089 9424 46		GA30C 460V	
	1089 0506 07		GA15 575V			1089 9424 45		GA30C 575V	
	1089 0506 04		GA22 460V 3-phase dryer		1235		• 1	Connector/adapt	
	1089 0506 07		GA18-22 575V			1089 9424 99		GA11 200-230V	
	1089 0506 04		GA30C 460V			1089 9424 98		GA11 460V 3-phase dryer	
	1089 0506 04		GA30C 575V			1089 9424 98		GA11 575V	
1065		•	Terminal			1089 9424 99		GA15 200-230V	
	1089 0506 64	2	GA11 200-230V			1089 9424 98		GA15-18 460V 3-phase	
	1089 0506 64	2	GA11 460V 3-phase dryer			1089 9424 98		GA15 575V	
	1089 0506 64	2	GA11 575V			1089 9424 98		GA18-22 575V	
	1089 0506 64	2	GA15 200-230V			1089 9424 99		GA22 460V 3-phase dryer	
	1089 0506 64	2	GA15-18 460V 3-phase			1089 9424 99		GA30C 460V	
	1089 0506 63	1	GA15-18 460V 3-phase			1089 9424 99		GA30C 575V	
	1089 0506 64	2	GA15 575V		1250	1089 9416 01	• 1	Aux.contact block	
	1089 0506 64	2	GA18 230V		1255		• 1	Circuit breaker	
	1089 0506 64	2	GA18-22 200V, GA22 230V			1089 9416 64		GA11 200-230V	
	1089 0506 64	2	GA18-22 575V			1089 9416 61		GA11 460V 3-phase dryer	
	1089 0506 64	2	GA22 460V 3-phase dryer			1089 9416 61		GA11 575V	
	1089 0506 63	1	GA22 460V 3-phase dryer			1089 9416 64		GA15 200-230V	
	1089 0506 64	2	GA30C 460V			1089 9416 61		GA15-18 460V 3-phase	
	1089 0506 64	2	GA30C 575V			1089 9416 61		GA15 575V	
1070	1089 0506 62	• 3	Terminal			1089 9416 64		GA18-22 200V, GA22 230V	
1075	1089 0506 27	• 4	Terminal			1089 9416 64		GA18 230V	
1080		•	Terminal			1089 9416 61		GA18-22 575V	
	1089 0506 06	6	GA11 200-230V			1089 9416 61		GA22 460V 3-phase dryer	
	1089 0506 63	2	GA11 460V 3-phase dryer			1089 9416 63		GA30C 460V	
	1089 0506 06	6	GA15 200-230V			1089 9416 61		GA30C 575V	
	1089 0506 61	1	GA15-18 460V 3-phase		1260	1089 9416 75	• 1	Connection block	
	1089 0506 03	6	GA18-22 200V, GA22 230V		1300		• 1	Transformer	
	1089 0506 03	6	GA18 230V			1089 9436 02		GA11 200-230V	
	1089 0506 61	1	GA22 460V 3-phase dryer			1089 9436 01		GA11 460V 3-phase dryer	
	1089 0506 07	1	GA30C 460V			1089 9436 01		GA11 575V	
1090	1089 0506 23	• 1	Barrier			1089 9436 02		GA15 200-230V	
1095	1088 0031 02	• 1	Connector			1089 9436 01		GA15-18 460V 3-phase	
1100	1089 0612 01	• 6	Fuse holder			1089 9436 01		GA15 575V	
1105	1089 9168 26	• 3	Fuse			1089 9436 02		GA18-22 200V, GA22 230V	



# 24

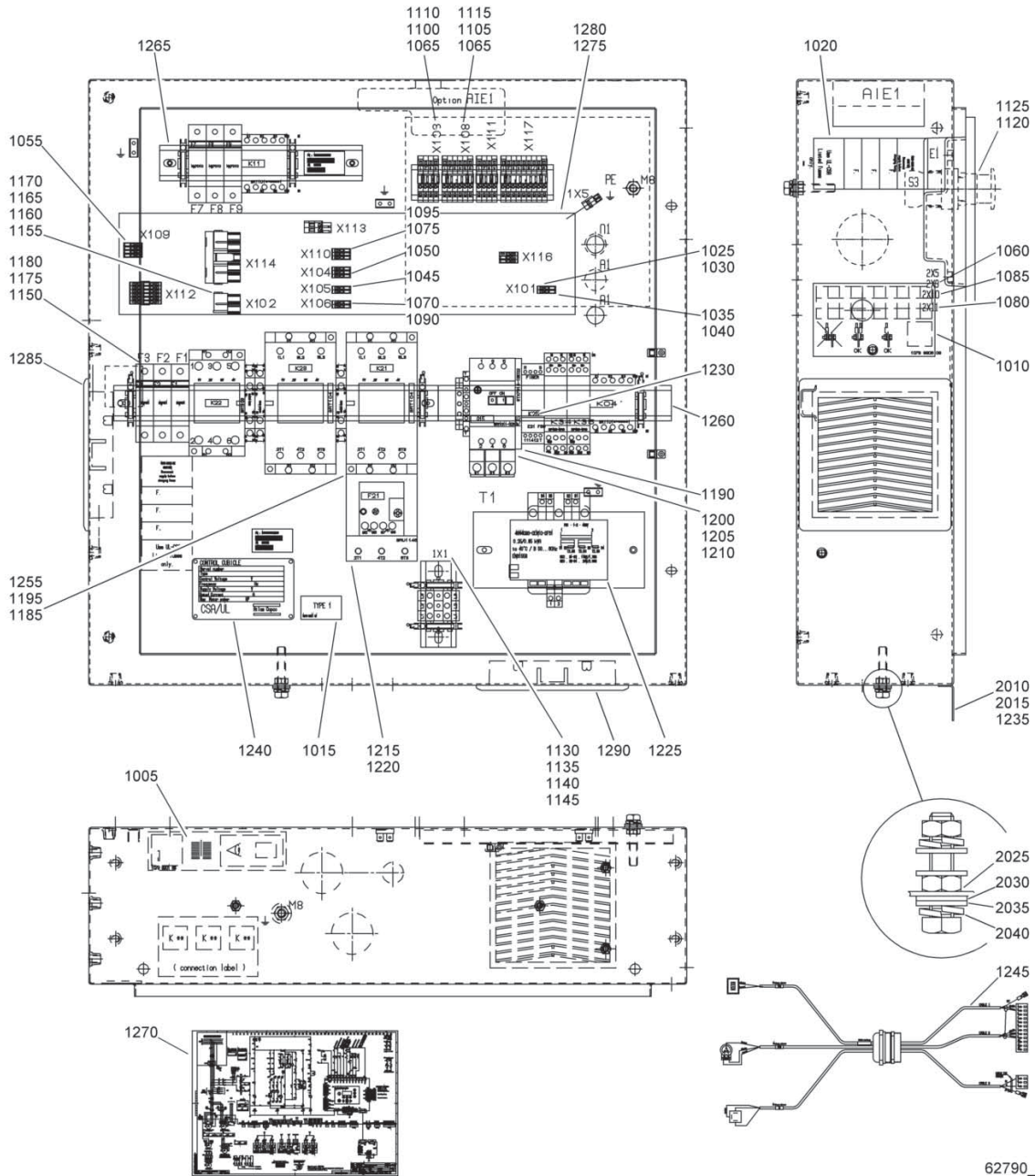


61603\_12

## Start cubicle - DOL - Elektronikon II - CSA/UL - 1)

Ref.	Part number	Qty	Name	Remarks	Ref.	Part number	Qty	Name	Remarks
	1089 9436 02		GA18 230V		2060		• 1	Contactactor	
	1089 9436 01		GA18-22 575V			1089 9415 14		GA11-15-18-22 FF 460V	
	1089 9436 02		GA22 460V 3-phase dryer					3-phase dryer	
	1089 9436 02		GA30C 460V			1089 9415 15		GA18-22 FF 220-230V,	
	1089 9436 02		GA30C 575V					GA11-15-18-22-30C FF	
1305	1089 9135 03	• 1	Transformer					575V, GA30C 460V	
1400		• 1	Mounting plate		2070	9139 5000 16	• AR	Rail	
	1622 0070 00		GA11 200-230V						
	1622 0070 01		GA11 460V 3-phase dryer		1)			Up to serial No. :	
	1622 0070 00		GA11 575V					Tot serienummer:	
	1622 0070 00		GA15 200-230V					T.o.m. tillverkningsnummer:	
	1622 0070 01		GA15-18 460V 3-phase					Bis Seriennummer:	
	1622 0070 00		GA15 575V					Jusqu'au numéro de série:	
	1622 0070 00		GA18-22 200V, GA22 230V					Hasta el número de serie:	
	1622 0070 00		GA18 230V					Fino al numeri di serie:	
	1622 0070 00		GA18-22 575V					Gælder til følgende serienumre:	
	1622 0070 01		GA22 460V 3-phase dryer					Até o número de série:	
	1622 0070 00		GA30C 460V					Til følgende serienummer:	
	1622 0070 00		GA30C 575V					Seuraavaan valmistusnumeroon asti, No.:	
1405	1614 8949 00	• 1	Data plate					AII 286 499	
1500		• 1	Service diagram						
	9820 3554 13		GA11 200-230V						
	9820 3554 14		GA11 460V 3-phase dryer						
	9820 3554 13		GA11 575V						
	9820 3554 13		GA15 200-230V						
	9820 3554 14		GA15-18 460V 3-phase						
	9820 3554 13		GA15 575V						
	9820 3554 13		GA18-22 200V, GA22 230V						
	9820 3554 13		GA18 230V						
	9820 3554 13		GA18-22 575V						
	9820 3554 14		GA22 460V 3-phase dryer						
	9820 3554 13		GA30C 460V						
	9820 3554 13		GA30C 575V						
		1	<b>Dryer rail</b>						
	<b>1900 2056 81</b>		GA11-15 FF 460V 3-phase						
			dryer						
	<b>1900 2056 80</b>		GA11-15 FF 575V						
	<b>1900 2056 80</b>		GA18-22 FF 220-230V						
	<b>1900 2056 81</b>		GA18-22 FF 460V 3-phase						
			dryer						
	<b>1900 2056 80</b>		GA18-22 FF 575V						
	<b>1900 2056 80</b>		GA30C FF 575V						
	<b>1900 2056 80</b>		GA30C FF 460V						
2010	1089 0506 27	• 1	Terminal						
2020	1089 0506 30	• 1	End bracket						
2030		•	Terminal						
	1089 0506 62	3	GA11-15-18-22 FF 460V						
			3-phase dryer						
	1089 0506 62	2	GA18-22 FF 220-230V,						
			GA11-15-18-22-30C FF						
			575V, GA30C 460V						
2040		•	Fuse holder						
	1089 0612 01	3	GA11-15-18-22 FF 460V						
			3-phase dryer						
	1089 0612 01	2	GA18-22 FF 220-230V,						
			GA11-15-18-22-30C FF						
			575V, GA30C 460V						
2050		•	Fuse link						
	1089 9168 54	3	GA11-15-18-22 FF 460V						
			3-phase dryer						
	1089 9168 62	2	GA18-22 FF 220-230V,						
			GA11-15-18-22-30C FF						
			575V, GA30C 460V						

# 25



62790\_12

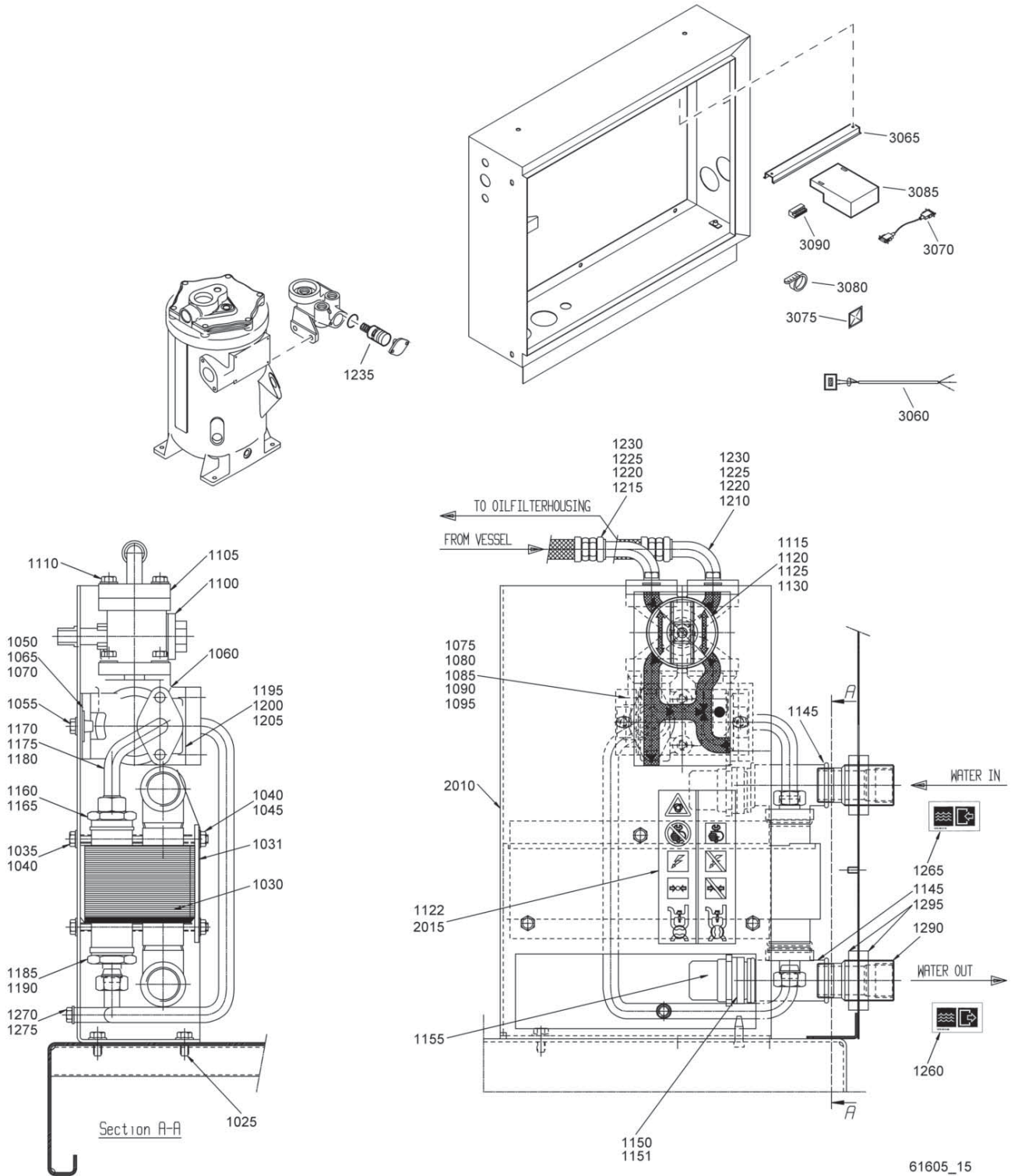
62790\_12

Ref.	Part number	Qty	Name	Remarks	Ref.	Part number	Qty	Name	Remarks
		<b>1</b>	<b>Electr. panel</b>		1015	1079 9911 01	• 1	Label	
	1900 2052 56		GA 11 200-230V/60Hz		1020	1079 9924 27	• 1	Label	
	1900 2052 50		GA 11 400-460V/60Hz		1025	1088 0015 02	• 1	Connector plug	
	1900 2052 53		GA 11 575V/60Hz		1030	1088 0015 16	• 2	Connector pin	
	1900 2052 57		GA 15 200V/60Hz		1035	1088 0015 22	• 1	Connector plug	
	1900 2052 52		GA 15 200-230V/60Hz		1040	1088 0015 36	• 2	Connector socket	
	1900 2052 50		GA 15 400-460V/60Hz		1045	1088 0031 02	• 2	Connector	
	1900 2052 53		GA 15 575V/60Hz		1050	1088 0031 03	• 1	Connector	
	1900 2052 51		GA 18 400-460V/60Hz		1055	1088 0031 04	• 1	Connector	
	1900 2052 54		GA 18 575V/60Hz		1060	1088 0031 13	• 1	Connector	
	1900 2052 51		GA 22 400-460V/60Hz		1065	1088 0031 18	• 4	Adaptor	
	1900 2052 54		GA 22 575V/60Hz		1070	1088 0031 22	• 2	Connector	
	1900 2052 55		GA 30C 400-575V/60Hz HAV		1075	1088 0031 23	• 1	Connector	
1005	1079 9901 68	• 1	Warning label		1080	1088 0031 29	• 1	Connector	
1010	1079 9906 09	• 1	Label		1085	1088 0031 49	• 1	Connector	

## Start cubicle - DOL - Elektronikon II - CSA/UL - 2)

Ref.	Part number	Qty	Name	Remarks	Ref.	Part number	Qty	Name	Remarks
1090	1088 0031 82	• 2	Connector		1225		• 1	Trafo	
1095	1088 0031 83	• 1	Connector		1089 9436 43			GA 11 200-230V/60Hz	
1100	1088 0031 84	• 1	Connector		1089 9436 42			GA 11-15 400-460V/60Hz	
1105	1088 0031 86	• 1	Connector		1089 9436 42			GA 11-15 575V/60Hz	
1110	1088 0037 04	• 1	Connector		1089 9436 43			GA 15 200-230V/60Hz	
1115	1088 0037 06	• 1	Connector		1089 9436 42			GA 18-22 400-460V/60Hz	
1120	1089 0362 50	• 2	Contact block		1089 9436 42			GA 18-22 575V/60Hz	
1125	1089 0362 51	• 1	Push button		1089 9436 43			GA 30C 400-575V/60Hz HAV	
1130		• 2	Terminal		1230		• 1	Phase seq relay	
	1089 0506 07		GA 11 200-230V/60Hz		1089 9591 01			GA 11 200-230V/60Hz	
	1089 0506 09		GA 11-15 400-460V/60Hz		1089 9461 03			GA 11-15 400-460V/60Hz	
	1089 0506 07		GA 15 200-230V/60Hz		1089 9461 04			GA 11-15 575V/60Hz	
	1089 0506 07		GA 15 200V/60Hz		1089 9591 01			GA 15 200-230V/60Hz	
	1089 0506 09		GA 18-22 400-460V/60Hz		1089 9591 01			GA 15 200V/60Hz	
	1089 0506 07		GA 30C 400-575V/60Hz HAV		1089 9461 03			GA 18-22 400-460V/60Hz	
1135	1089 0506 27	• 1	Terminal		1089 9461 04			GA 18-22 575V/60Hz	
1140	1089 0506 30	• 5	End bracket		1089 9461 04			GA 30C 400-575V/60Hz HAV	
1145	1089 0506 75	• 1	Terminal		1235	1613 3431 00	• 1	Label	
1150	1089 0612 01	• 3	Fuse holder		1240	1614 8949 00	• 1	Data plate	
1155	1089 0700 01	• 1	Connector		1245	1622 0005 42	• 1	Wiring	
1160	1089 0700 02	• 1	Connector		1255	1622 1692 00	• 3	Connection element	
1165	1089 0700 03	• 4	Connector pin		1260	9139 5000 16	• AR	Rail	
1170	1089 0700 04	• 8	Connector socket		1265	9139 5000 16	• AR	Rail	
1175	1089 9168 24	• 2	Fuse link		1270	9820 3554 09	• 1	Service diagram	
1180	1089 9168 36	• 1	Fuse link		1275	1089 0577 36	• 3	Terminal	
1185		• 1	Cover		1280	1089 0577 37	• 1	Terminal cover	
	1089 9362 04		GA 11 200-230V/60Hz		1285	1089 9556 15	• 1	Air inlet left	
	1089 9416 93		GA 11-15 400-460V/60Hz		1290	1089 9556 05	• 1	Air inlet right	
	1089 9416 93		GA 11-15 575V/60Hz				• 1	<b>Assembly drawing</b>	
	1089 9362 04		GA 15 200-230V/60Hz		<b>1622 0122 85</b>			GA 11 200-230V/60Hz	
	1089 9362 04		GA 15 200V/60Hz		<b>1622 0122 85</b>			GA 11-15 400-460V/60Hz	
	1089 9416 93		GA 18-22 400-460V/60Hz		<b>1622 0122 85</b>			GA 11-15 575V/60Hz	
	1089 9416 93		GA 18-22 575V/60Hz		<b>1622 0122 85</b>			GA 15 200-230V/60Hz	
	1089 9362 04		GA 30C 400-575V/60Hz HAV		<b>1622 0122 85</b>			GA 15 200V/60Hz	
1190	1089 9388 18	• 1	Interface relay		<b>1622 0122 85</b>			GA 18-22 400-460V/60Hz	
1195		• 1	Contact		<b>1622 0122 85</b>			GA 18-22 575V/60Hz	
	1089 9415 44		GA 11 200-230V/60Hz		<b>1622 0548 85</b>			GA 30C 400-575V/60Hz HAV	
	1089 9415 35		GA 11-15 400-460V/60Hz		2010		•• 1	Cubicle	
	1089 9415 34		GA 11-15 575V/60Hz		1622 0361 05			GA 11 200-230V/60Hz	
	1089 9415 45		GA 15 200-230V/60Hz		1622 0361 05			GA 11-15 400-460V/60Hz	
	1089 9415 46		GA 15 200V/60Hz		1622 0361 05			GA 11-15 575V/60Hz	
	1089 9415 36		GA 18-22 400-460V/60Hz		1622 0361 05			GA 15 200-230V/60Hz	
	1089 9415 35		GA 18-22 575V/60Hz		1622 0361 05			GA 15 200V/60Hz	
	1089 9415 45		GA 30C 400-575V/60Hz HAV		1622 0361 05			GA 18-22 400-460V/60Hz	
1200	1089 9416 01	• 1	Aux. contact block		1622 0361 05			GA 18-22 575V/60Hz	
1205		• 1	Circuit breaker		1622 0548 05			GA 30C 400-575V/60Hz HAV	
	1089 9416 64		GA 11 200-230V/60Hz		2015	1202 6584 00	•• AR	Seal	
	1089 9416 61		GA 11-15 400-460V/60Hz		2025	0268 7110 00	•• 2	Nut	
	1089 9416 61		GA 11-15 575V/60Hz		2030	0300 0275 05	•• 2	Washer	
	1089 9416 64		GA 15 200-230V/60Hz		2035	0301 2335 00	•• 2	Washer	
	1089 9416 64		GA 15 200V/60Hz		2040	0333 2174 37	•• 2	Spring washer	
	1089 9416 61		GA 18-22 400-460V/60Hz						
	1089 9416 61		GA 18-22 575V/60Hz		2)			From following serial No. onwards:	
	1089 9416 62		GA 30C 400-575V/60Hz HAV					Geldig vanaf volgend serienummer:	
1210	1089 9416 75	• 1	Connection block					Fr.o.m. tillverkningsnummer:	
1215		• 1	Overload relay					Gültig ab Seriennummer:	
	1089 9424 46		GA 11 200-230V/60Hz					Valable à partir du numéro de série suivant:	
	1089 9424 38		GA 11-15 400-460V/60Hz					A partir del siguiente número de serie:	
	1089 9424 37		GA 11-15 575V/60Hz					Dai seguenti numeri di serie in avanti:	
	1089 9424 47		GA 15 200-230V/60Hz					Gælder fra følgende serienumre:	
	1089 9424 47		GA 15 200V/60Hz					A partir do número de série:	
	1089 9424 41		GA 18-22 400-460V/60Hz					Fra og med følgende serienummer:	
	1089 9424 39		GA 18-22 575V/60Hz					Alkaen valmistusnumerosta	
	1089 9424 46		GA 30C 400-575V/60Hz HAV					All 286 500	
1220	1089 9424 99	• 1	Connector/adapter						

# 26

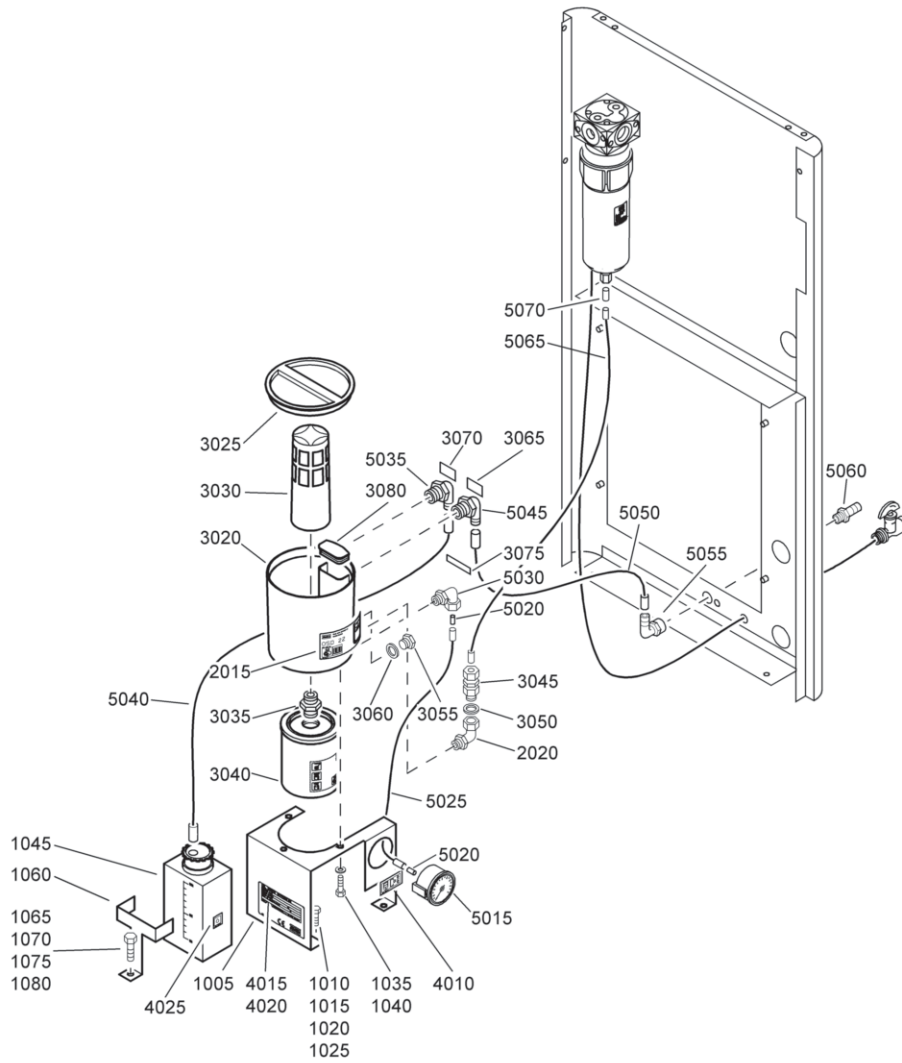


## Energy recovery system

Ref.	Part number	Qty	Name	Remarks	Ref.	Part number	Qty	Name	Remarks
1025	0226 0301 00	2	Tapping screw		1260	1079 9913 69	1	Inform.label	
1030	1613 7805 00	1	Heat exchanger		1265	1079 9913 79	1	Inform.label	
1031	1613 7799 00	1	Plate		1270	0686 4201 00	1	Hexagon plug	
1035	0147 1344 03	3	Hexagon bolt		1275	0653 1046 00	1	Flat gasket	
1040	0301 2335 00	6	Washer		1290	1622 0094 00	2	Pipe	
1045	0266 2110 00	3	Nut		1295	0295 3109 00	4	Nut	
1050	1613 7061 00	1	Bracket			<b>1622 0088 81</b>	<b>1</b>	<b>Support ass'y</b>	
1055	1619 2766 00	2	Bolt		2010		• 1	Support	
1060	1202 7521 00	1	Therm.housing		2015	1079 9902 89	• 1	Warning label	
1065	0147 1321 03	2	Hexagon bolt		2020	1202 7682 00	• 1	Label	
1070	0301 2335 00	2	Washer		3060	1622 0663 03	2	Cable	
1075	1614 6118 00	1	Flange		3065		1	DIN-rail	
1080	0663 2101 95	1	O-ring			1622 0665 02		1 )	
1085	0147 1246 03	2	Hexagon bolt			1622 0665 05		2 )	
1090	0301 2321 00	2	Washer		3070	1622 0661 01	1	Cable	
1095	1619 7333 00	1	Thermostat 40°C		3075	1088 1305 01	3	Push mount	
1100	1202 7522 00	1	4-way valve		3080	1088 1301 01	4	Cable strip	
1105	0663 2102 64	2	O-ring		3085	1900 0710 41	1	AIE 1 elektronikon	
1110	0147 1325 03	4	Hexagon bolt		3090	1088 0031 04	1	Connector	
1115	1202 7689 00	1	Handle						
1120	1202 7683 00	2	Label		1)	Up to serial No. :			
1122	1079 9902 89	1	Warning label			Tot serienummer:			
1125	0147 1321 03	1	Hexagon bolt			T.o.m. tillverkningsnummer:			
1130	0301 2335 00	1	Washer			Bis Seriennummer:			
1145	0564 0000 64	2	Tee			Jusqu'au numéro de série:			
1150	0605 8700 51	2	Bushing			Hasta el número de serie:			
1151	0661 1000 44	2	Seal washer			Fino al numeri di serie:			
1155			Temp.sensor			Gælder til følgende serienumre:			
	1089 0574 07	1	1 )			Até o número de série:			
	1089 0574 40	2	2 )			Til følgende serienummer:			
1160	0571 0035 11	1	Hose connection			Seuraavaan valmistusnumeroon asti, No.:			
1165	0661 1000 44	1	Seal washer			AII 286 499			
1170	1622 0089 00	1	Pipe		2)	From following serial No. onwards:			
1175	0663 3129 00	1	O-ring			Geldig vanaf volgend serienummer:			
1180	0147 1325 03	2	Hexagon bolt			Fr.o.m. tillverkningsnummer:			
1185	0571 0035 11	1	Hose connection			Gültig ab Seriennummer:			
1190	0661 1000 44	1	Seal washer			Valable à partir du numéro de série suivant:			
1195	1622 0090 01	1	Pipe			A partir del siguiente número de serie:			
1200	0663 3129 00	1	O-ring			Dai seguenti numeri di serie in avanti:			
1205	0147 1325 03	2	Hexagon bolt			Gælder fra følgende serienumre:			
1210	1622 0093 00	1	Hose assembly			A partir do número de série:			
1215	1622 0092 00	1	Hose assembly			Fra og med følgende serienummer:			
1220	0663 3129 00	2	O-ring			Alkaen valmistusnumerosta			
1225	0147 1327 03	4	Hexagon bolt			AII 286 500			
1230	0266 2110 00	4	Nut						
1235		1	Thermostat						
	1619 7596 00		65°C						
	1619 7595 00		70°C						
	1619 7493 00		75°C						
	1619 7614 00		83°C						
	1613 7064 02		87°C						



# 27



61606\_06

## Drain system - Oil Separator condensate Drain

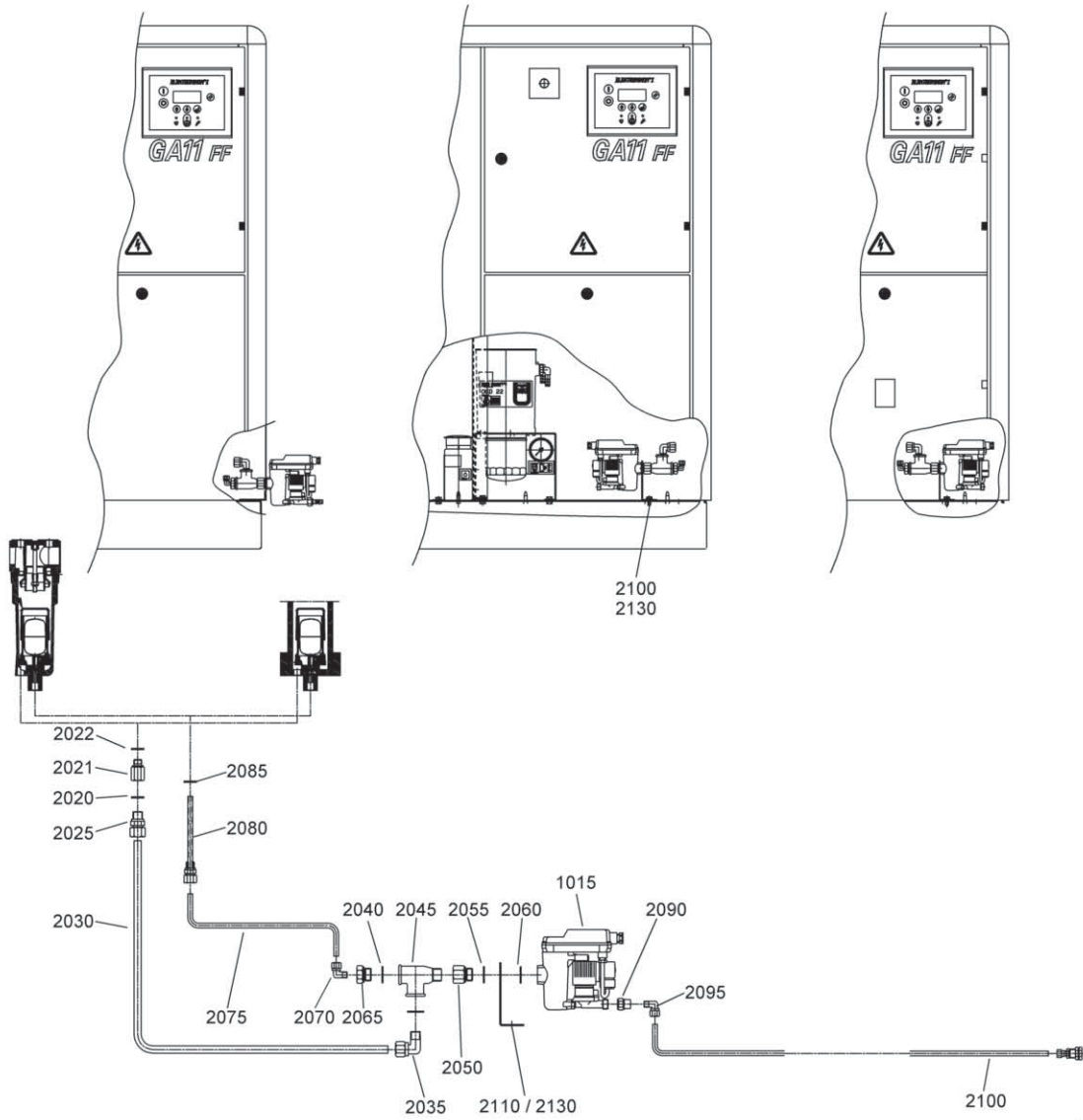
Ref.	Part number	Qty	Name	Remarks	Ref.	Part number	Qty	Name	Remarks
	<b>8092 2449 64</b>	<b>1</b>	<b>Oil Separator condensate Drain</b>		3045	1613 7378 00	••• 1	Strainer	
1005	1622 0087 00	• 1	Support		3050	0653 0500 47	••• 1	Gasket	
1010	0301 2335 00	• 1	Washer		3055	0686 3716 02	••• 1	Hexagon plug	
1015	0333 3227 00	• 1	Lock washer		3060	0653 9098 00	••• 1	Flat gasket	
1020	0266 2110 00	• 1	Nut		3065	1079 9913 69	••• 1	Inform.label	
1025	0147 1323 03	• 1	Hexagon bolt		3070	1079 9912 28	••• 1	Decal	
1035	0147 1322 03	• 3	Hexagon bolt		3075	1079 9912 07	••• 1	Decal	
1040	0301 2335 00	• 3	Washer		3080	1613 7945 00	••• 1	Plug	
1045	1613 7657 00	• 1	Oil can		4010	1079 9912 11	• 1	Decal	
1060	1622 0091 00	• 1	Support		4015	1613 7384 00	• 1	Data plate	
1065	0301 2335 00	• 1	Washer		4020	0129 3104 00	• 4	Blind rivet	
1070	0333 3227 00	• 1	Lock washer		4025	1079 9912 38	• 1	Decal	
1075	0266 2110 00	• 1	Nut		5015	1615 7264 00	• 1	Pressure gauge	
1080	0147 1323 03	• 1	Hexagon bolt		5020	0584 9904 00	• 2	Sleeve	
	<b>1613 7603 82</b>	<b>• 1</b>	<b>OSD assembly</b>		5025	0070 6002 04	• AR	Plastic tube	
2015	1079 9909 06	•• 1	Label		5030	0581 2024 38	• 1	Elbow coupling	
2020	0560 4400 83	•• 1	Pipe fitting		5035	1613 7985 80	• 1	Elbow coupling	
	<b>1613 7603 80</b>	<b>•• 1</b>	<b>OSD sub assembly</b>		5040	0070 6002 14	• AR	Plastic tube	
3020	1613 7603 00	••• 1	Housing		5045	1613 7985 80	• 1	Elbow coupling	
3025	1613 7604 00	••• 1	Plug		5050	0070 6002 14	• AR	Plastic tube	
3030	1613 7299 00	••• 1	Filter		5055	1613 7342 00	• 1	Elbow coupling	
3035	1613 7601 00	••• 1	Check valve		5060	1613 7341 00	• 1	Pipe coupling	
3040	1613 7602 00	••• 1	Oil separator		5065	0070 6002 05	• AR	Plastic tube	
					5070	0584 0080 10	• 1	Cutting ring	

# 28

OSD + Transfo / Energy recovery

OSD

Others



61604\_06

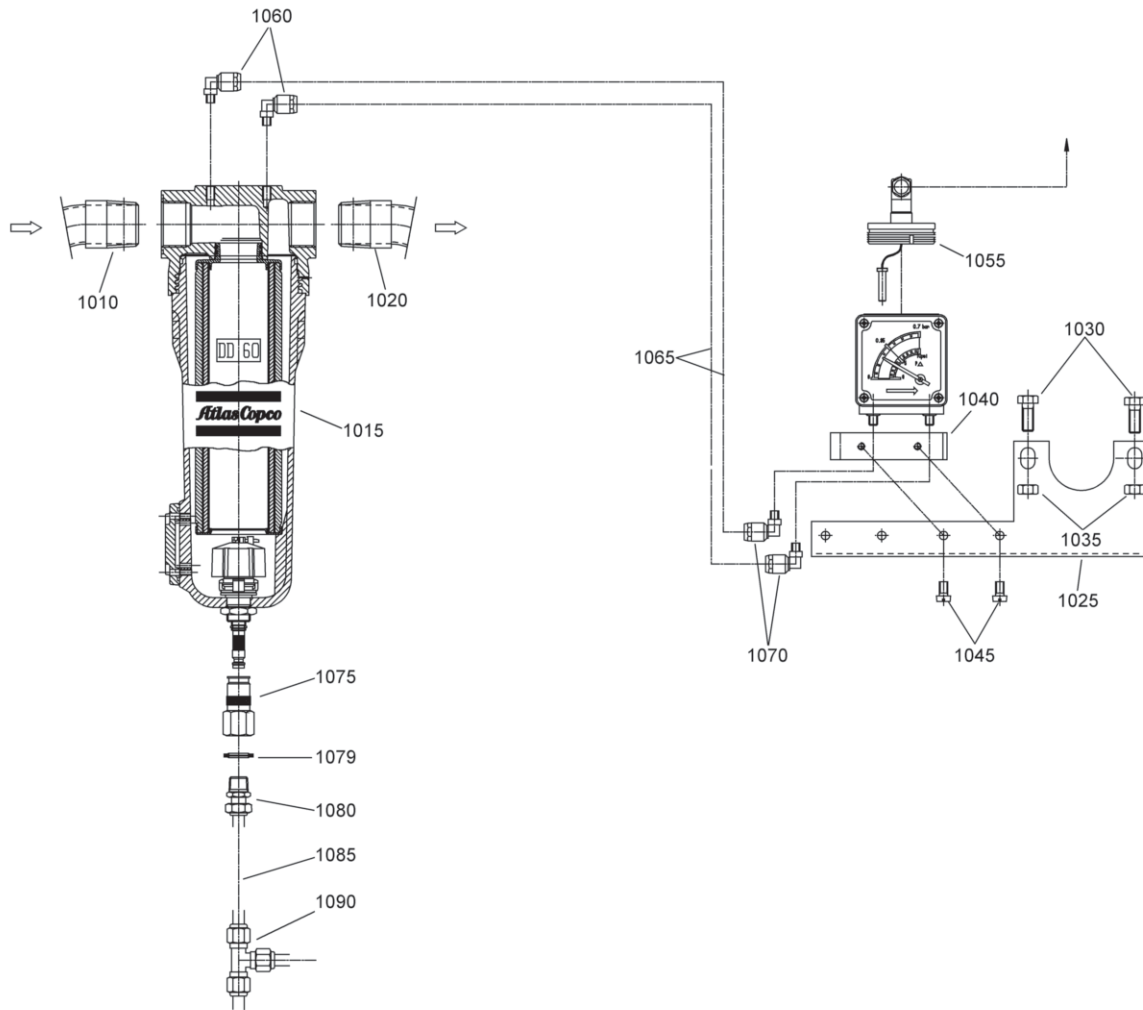
## Drain system - Electronic Water Drain

Up to serial No. :  
 Tot serienummer:  
 T.o.m. tillverkningsnummer:  
 Bis Seriennummer:  
 Jusqu'au numéro de série:  
 Hasta el número de serie:  
 Fino al numeri di serie:  
 Gælder til følgende serienumre:  
 Até o número de série:  
 Til følgende serienummer:  
 Seuraavaan valmistusnumeroon asti, No.:  
 AII 286 499

From following serial No. onwards:  
 Geldig vanaf volgend serienummer:  
 Fr.o.m. tillverkningsnummer:  
 Gültig ab Seriennummer:  
 Valable à partir du numéro de série suivant:  
 A partir del siguiente número de serie:  
 Dai seguenti numeri di serie in avanti:  
 Gælder fra følgende serienumre:  
 A partir do número de série:  
 Fra og med følgende serienummer:  
 Alkaen valmistusnumerosta:  
 AII 286 500

Ref.	Part number	Qty	Name	Remarks	Ref.	Part number	Qty	Name	Remarks
		<b>1</b>	<b>Electronic Water Drain</b>				<b>1</b>	<b>Electronic Water Drain</b>	
	<b>8092 2450 60</b>		110V/50-60Hz			<b>8092 2827 09</b>		110V/50-60Hz	
	<b>8092 2450 52</b>		230V/50-60Hz		1015		• 1	EWD75	
1015		• 1	EWD75			1613 8800 04	• 1	110V/50-60Hz	
	1613 8800 04	• 1	110V/50-60Hz		2020	0661 1000 38	• 1	Seal washer	
	1613 8800 01	• 1	230V/50-60Hz		2021	1622 0359 00	• 1	Straight pipe coupling	
2020	0661 1000 38	• 1	Seal washer		2022	0653 1062 00	• 1	Flat gasket	
2021	1622 0359 00	• 1	Straight pipe coupling		2025	0581 0000 45	• 1	Pipe coupling	
2022	0653 1062 00	• 1	Flat gasket		2030	0070 6002 06	• AR	Plastic tube	
2025	0581 0000 45	• 1	Pipe coupling		2035	0581 1200 29	• 1	Elbow	
2030	0070 6002 06	• AR	Plastic tube		2040	0653 1124 00	• 1	Flat gasket	
2035	0581 1200 29	• 1	Elbow		2045	1503 2566 13	• 1	Tee	
2040	0653 1124 00	• 1	Flat gasket		2050	1613 9029 00	• 1	Nipple	
2045	1503 2566 13	• 1	Tee		2055	0653 1124 00	• 1	Flat gasket	
2050	1613 9029 00	• 1	Nipple		2060	0653 1124 00	• 1	Flat gasket	
2055	0653 1124 00	• 1	Flat gasket		2065	0605 8814 06	• 1	Bushing	
2060	0653 1124 00	• 1	Flat gasket		2070	0581 1200 23	• 1	Elbow coupling	
2065	0605 8814 06	• 1	Bushing		2075	0070 6002 05	• AR	Plastic tube	
2070	0581 1200 23	• 1	Elbow coupling		2080	1613 8084 00	• 1	Pipe coupling	
2075	0070 6002 05	• AR	Plastic tube		2085	0661 1000 38	• 1	Seal washer	
2080	1613 8084 00	• 1	Pipe coupling		2090	0607 1151 06	• 1	Reducing socket	
2085	0661 1000 38	• 1	Seal washer		2095	0581 1200 26	• 1	Elbow coupling	
2090	0607 1151 06	• 1	Reducing socket		2100	0070 6002 05	• AR	Plastic tube	
2095	0581 1200 26	• 1	Elbow coupling		2110	1622 0097 00	• 1	Bracket	
2100	0070 6002 05	• AR	Plastic tube		2130	0226 0301 00	• 2	Tapping screw	
2110	1622 0097 00	• 1	Bracket				• 1	Wiring	
2130	0226 0301 00	• 2	Tapping screw			1622 0629 11		Elektronikon I	
						1622 0629 01		Elektronikon II	

# 29



61607\_03

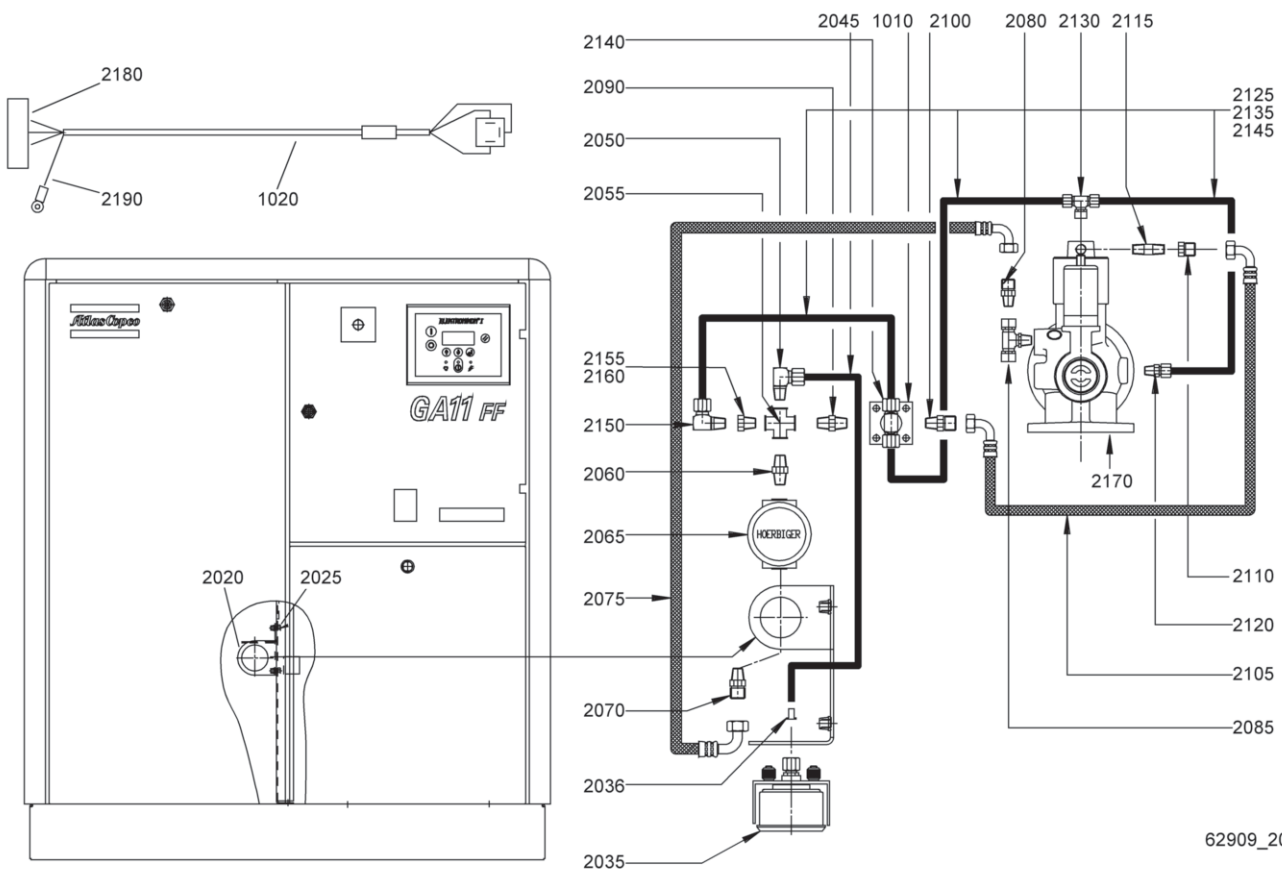
## DD filter kit

Up to serial No. :  
 Tot serienummer:  
 T.o.m. tillverkningsnummer:  
 Bis Seriennummer:  
 Jusqu'au numéro de série:  
 Hasta el número de serie:  
 Fino al numeri di serie:  
 Gælder til følgende serienumre:  
 Até o número de série:  
 Til følgende serienummer:  
 Seuraavaan valmistusnumeroon asti, No.:  
 AII 286 499

From following serial No. onwards:  
 Geldig vanaf volgend serienummer:  
 Fr.o.m. tillverkningsnummer:  
 Gültig ab Seriennummer:  
 Valable à partir du numéro de série suivant:  
 A partir del siguiente número de serie:  
 Dai seguenti numeri di serie in avanti:  
 Gælder fra følgende serienumre:  
 A partir do número de série:  
 Fra og med følgende serienummer:  
 Alkaen valmistusnumerosta:  
 AII 286 500

Ref.	Part number	Qty	Name	Remarks	Ref.	Part number	Qty	Name	Remarks
1010	1622 0140 00	1	Pipe		1010	1622 0140 00	1	Pipe	
1015	1617 7197 00	1	Filter DD 60		1015	1617 7197 00	1	Filter DD 60	
1020	1622 0081 00	1	Pipe		1020	1622 0081 00	1	Pipe	
1025	1622 0096 00	1	Bracket		1025	1622 0096 00	1	Bracket	
1030	0147 1323 03	2	Hexagon bolt		1030	0147 1323 03	2	Hexagon bolt	
1035	0266 2110 00	2	Nut		1035	0266 2110 00	2	Nut	
1040	1617 7098 00	1	Support		1040	1617 7098 00	1	Support	
1045	0160 6060 00	2	Screw		1045	0160 6060 00	2	Screw	
1055	1622 0098 80	2	Wire assembly		1055	1622 0098 80	2	Wire assembly	
1060	0583 8120 62	2	Push-in coupling			1088 0031 54	1	Connector	X109
1065	0070 6002 20	AR	Plastic tube		1060	0583 8120 62	2	Push-in coupling	
1070	0583 8120 10	2	Elbow coupling		1065	0070 6002 20	AR	Plastic tube	
1075	1617 7082 02	1	Quick coupling		1070	0583 8120 10	2	Elbow coupling	
1079	0661 1000 38	1	Seal washer		1075	1617 7082 02	1	Quick coupling	
1080	0581 0000 35	1	Coupling		1079	0661 1000 38	1	Seal washer	
1085	0070 6002 05	AR	Plastic tube		1080	0581 0000 35	1	Coupling	
1090	0581 2000 18	1	Coupling		1085	0070 6002 05	AR	Plastic tube	
					1090	0581 2000 18	1	Coupling	

# 30



62909\_20

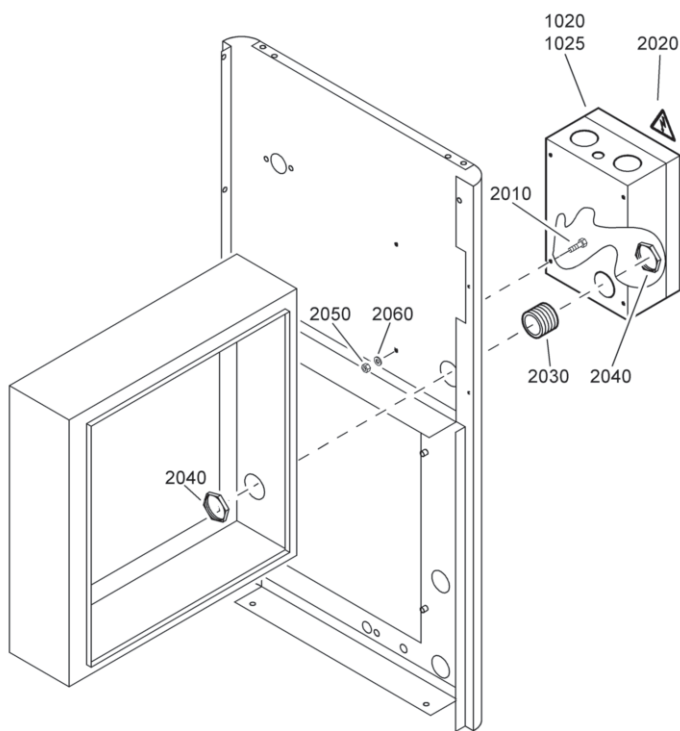
## Modulating control

Up to serial No. :  
 Tot serienummer:  
 T.o.m. tillverkningsnummer:  
 Bis Seriennummer:  
 Jusqu'au numéro de série:  
 Hasta el número de serie:  
 Fino al numeri di serie:  
 Gælder til følgende serienumre:  
 Até o número de série:  
 Til følgende serienummer:  
 Seuraavaan valmistusnumeroon asti, No.:  
 AII 286 499

From following serial No. onwards:  
 Geldig vanaf volgend serienummer:  
 Fr.o.m. tillverkningsnummer:  
 Gültig ab Seriennummer:  
 Valable à partir du numéro de série suivant:  
 A partir del siguiente número de serie:  
 Dai seguenti numeri di serie in avanti:  
 Gælder fra følgende serienumre:  
 A partir do número de série:  
 Fra og med følgende serienummer:  
 Alkaen valmistusnumeroosta:  
 AII 286 500

Ref.	Part number	Qty	Name	Remarks	Ref.	Part number	Qty	Name	Remarks
1010		1	Solenoid valve		1010		1	Solenoid valve	
	1089 0621 01		50Hz			1089 0621 09		110V/50Hz	
	1089 0621 03		60Hz IEC			1089 0621 02		115V/60Hz	
	1089 0621 02		60Hz CSA/UL		1020	1622 1295 03	1	Cable	
1020	1613 7769 04	1	Cable		2020	1622 0095 00	1	Bracket	
2020	1622 0095 00	1	Bracket		2025	0147 1963 08	2	Hexagon bolt	
2025	0147 1963 08	2	Hexagon bolt		2035	1615 7264 00	1	Pressure gauge	
2035	1615 7264 00	1	Pressure gauge		2036	0584 9904 00	1	Sleeve	
2036	0584 9904 00	1	Sleeve		2045	0070 6002 04	AR	Plastic tube	
2045	0070 6002 04	AR	Plastic tube		2050	0581 1200 16	1	Coupling(elbow)	
2050	0581 1200 16	1	Coupling(elbow)		2055	0560 4400 85	1	Cross	
2055	0560 4400 85	1	Cross		2060	1503 2564 10	1	Nipple	
2060	1503 2564 10	1	Nipple		2065	1613 6961 00	1	Regulator	
2065	1613 6961 00	1	Regulator		2070	1079 5840 26	1	Hexagon nipple	
2070	1079 5840 26	1	Hexagon nipple		2075	0575 0792 25	1	Hose assembly	
2075	0575 0792 25	1	Hose assembly		2080	1079 5840 26	1	Hexagon nipple	
2080	1079 5840 26	1	Hexagon nipple		2085	1503 2566 21	1	Tee	
2085	1503 2566 21	1	Tee		2090	1503 2564 01	1	Nipple	
2090	1503 2564 01	1	Nipple		2100	1079 5840 25	1	Hexagon nipple	
2100	1079 5840 25	1	Hexagon nipple		2105	0575 0401 18	1	Hose assembly	
2105	0575 0401 18	1	Hose assembly		2110	1079 5840 09	1	Hexagon nipple	
2110	1079 5840 09	1	Hexagon nipple		2115	0551 0001 62	1	Threaded pipe	
2115	0551 0001 62	1	Threaded pipe		2120	0581 0000 78	1	Pipe coupling	
2120	0581 0000 78	1	Pipe coupling		2125	0070 6002 05	AR	Plastic tube	
2125	0070 6002 05	AR	Plastic tube		2130	0581 2000 27	1	Pipe coupling	
2130	0581 2000 27	1	Pipe coupling		2135	0070 6002 05	AR	Plastic tube	
2135	0070 6002 05	AR	Plastic tube		2140	0581 2000 27	1	Pipe coupling	
2140	0581 2000 27	1	Pipe coupling		2145	0070 6002 05	AR	Plastic tube	
2145	0070 6002 05	AR	Plastic tube		2150	0581 1200 26	1	Elbow coupling	
2150	0581 1200 26	1	Elbow coupling		2155	1613 6968 04	1	Nozzle	
2155	1613 6968 04	1	Nozzle		2160	1613 6968 03	1	Nozzle	
2160	1613 6968 03	1	Nozzle		2170	<<< >>>	1	Unloading valve	
2170	<<< >>>	1	Unloading valve		2180	1088 0031 53	1	Connector	X104
					2190	0694 5285 13	1	Cable lug	

# 31



61598\_12

## Main switch

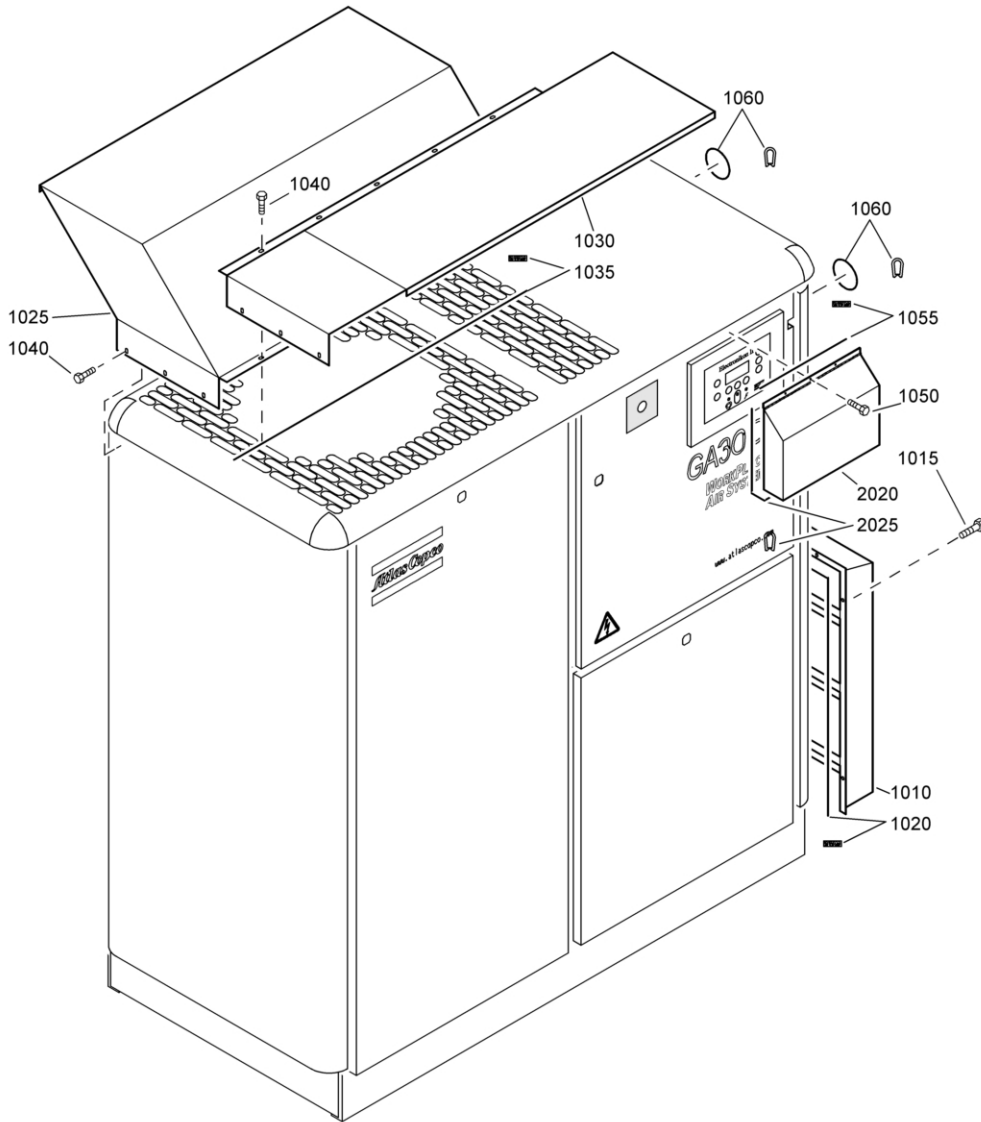
Up to serial No. :  
 Tot serienummer:  
 T.o.m. tillverkningsnummer:  
 Bis Seriennummer:  
 Jusqu'au numéro de série:  
 Hasta el número de serie:  
 Fino al numeri di serie:  
 Gælder til følgende serienumre:  
 Até o número de série:  
 Til følgende serienummer:  
 Seuraavaan valmistusnumeroon asti, No.:  
 AII 286 499

From following serial No. onwards:  
 Geldig vanaf volgend serienummer:  
 Fr.o.m. tillverkningsnummer:  
 Gültig ab Seriennummer:  
 Valable à partir du numéro de série suivant:  
 A partir del siguiente número de serie:  
 Dai seguenti numeri di serie in avanti:  
 Gælder fra følgende serienumre:  
 A partir do número de série:  
 Fra og med følgende serienummer:  
 Alkaen valmistusnumerosta:  
 AII 286 500

Ref.	Part number	Qty	Name	Remarks	Ref.	Part number	Qty	Name	Remarks
	<b>8092 2458 62</b>	<b>1</b>	<b>Main switch</b>			<b>8092 2827 25</b>	<b>1</b>	<b>Main switch</b>	
			GA11-15 200-230V, GA22		1020	1622 1778 03	• 1	Disconnecting switch	
			380V, GA30C 400-460V		2010	0160 6089 00	• 4	Screw	
	<b>8092 2458 54</b>		GA11-18 380-575V, GA22		2020	1088 1001 03	• 1	Warning mark	
			400-575V, GA30C 500-575V		2030	1622 0068 01	• 1	Threaded nipple	
	<b>8092 2458 70</b>		GA18 200-230V, GA30C		2040	0697 9809 05	• 2	Lock nut	
			380V		2050	0266 2108 00	• 4	Nut	
	<b>8092 2458 88</b>		GA22 200-230V		2060	0301 2321 00	• 4	Washer	
1020	• 1089 9445 23	• 1	Disconnecting switch						
			GA11-15 200-230V, GA22						
			380V, GA30C 400-460V						
	1089 9445 23		GA11-18 380-575V, GA22						
			400-575V, GA30C 500-575V						
	1089 9445 24		GA18 200-230V, GA30C						
			380V						
	1089 9445 24		GA22 200-230V						
1025	• 1089 9445 90	• 1	N-contact						
			GA11-18 380-575V, GA22						
			400-575V, GA30 500-575V						
2010	0160 6089 00	• 4	Screw						
2020	1088 1001 03	• 1	Warning mark						
2030	1622 0068 01	• 1	Threaded nipple						
2040	0697 9809 05	• 2	Lock nut						
2050	0266 2108 00	• 4	Nut						
2060	0301 2321 00	• 4	Washer						

# 32

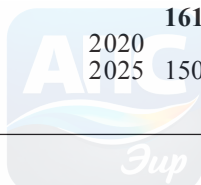
## Rain protection



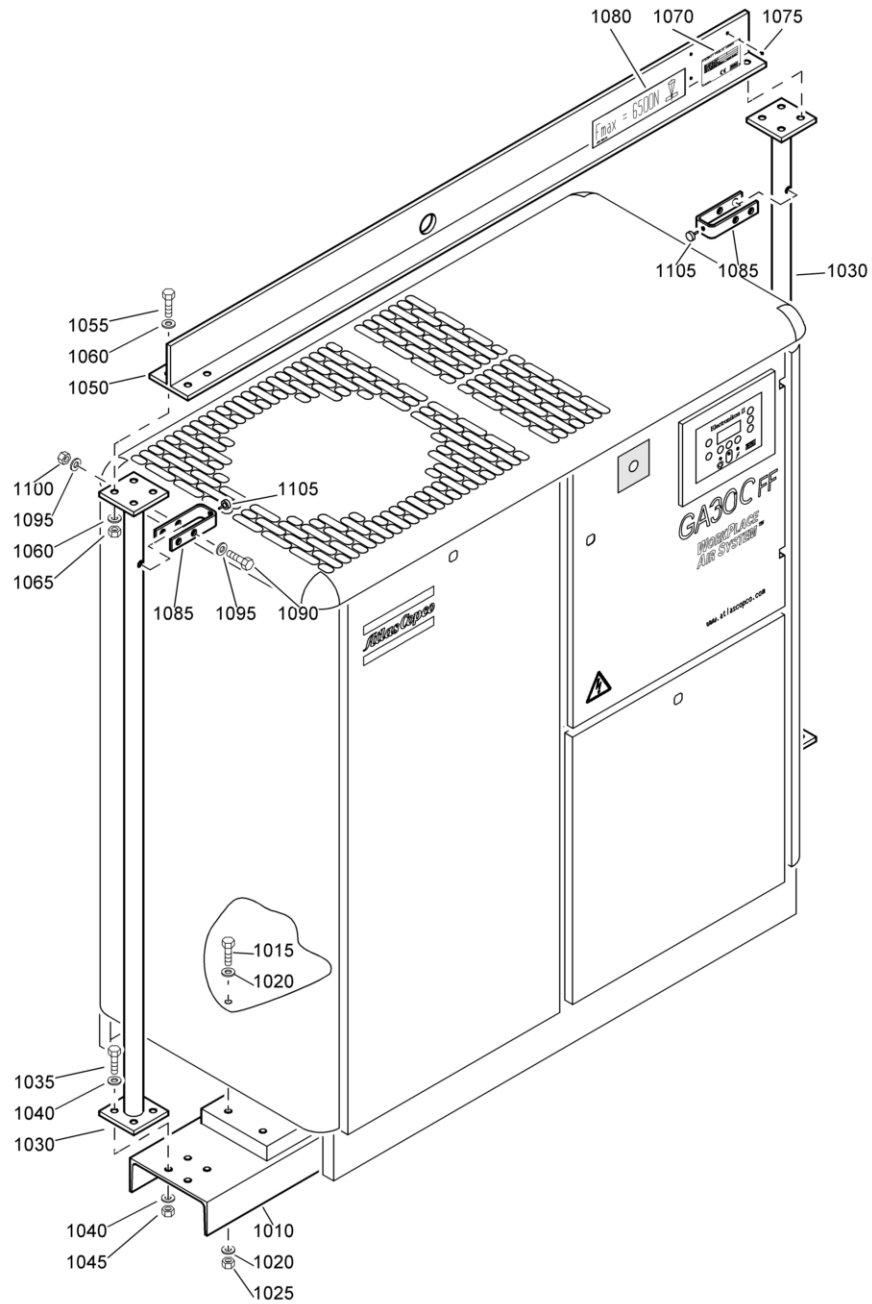
61593\_10

61593\_10

Ref.	Part number	Qty	Name	Remarks	Ref.	Part number	Qty	Name	Remarks
	<b>8092 2465 14</b>	<b>1</b>	<b>Rain protection</b>		1040	0226 3343 07	• 17	Tapping screw	
1010	1622 0147 00	• 1	Rain cowl		1050	0226 3256 00	• 3	Tapping screw	
1015	0226 3343 07	• 6	Tapping screw		1055	1619 3843 00	• AR	Seal	
1020	1619 5188 00	• AR	Seal		1060	1503 1056 00	• AR	Seal	
1025	1622 0148 00	• 1	Baffle			<b>1613 7954 80</b>	• 1	<b>Baffle ass'y</b>	
1030	1622 0149 00	• 1	Baffle		2020		• 1	Baffle	
1035	1619 3843 00	• AR	Seal		2025	1503 1056 00	• AR	Seal	



Lifting device



61591\_10

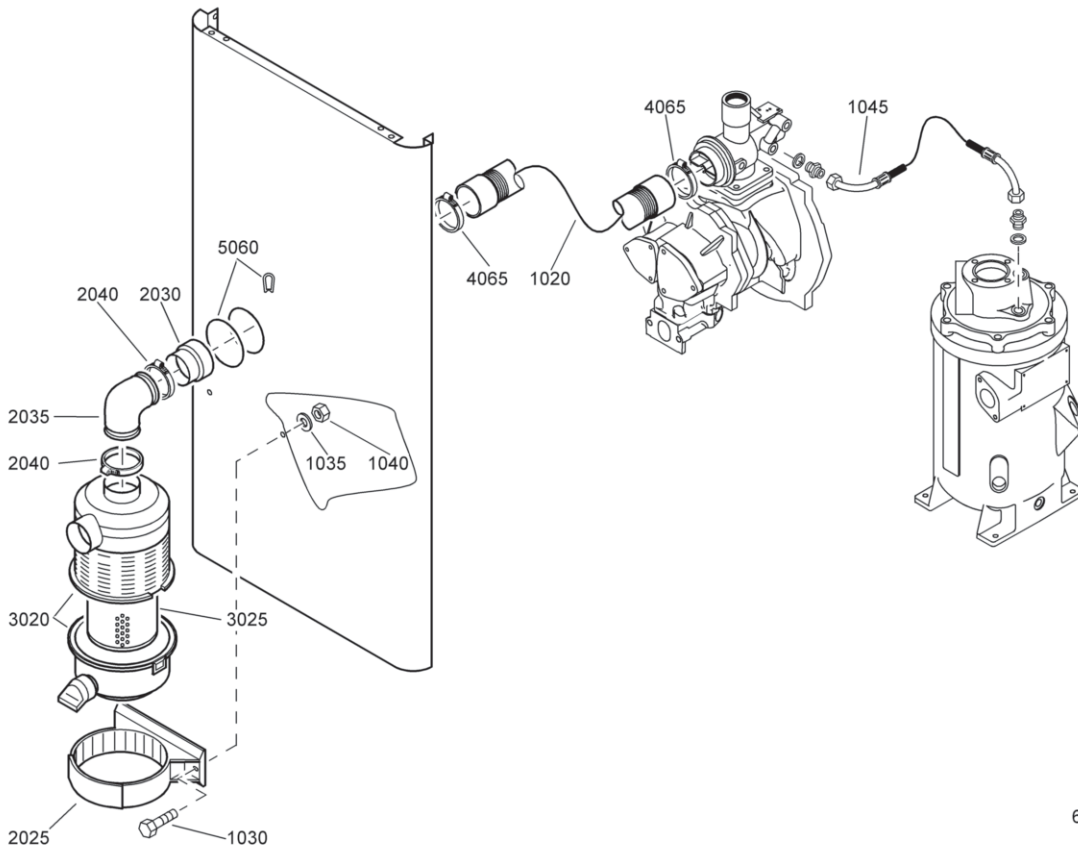
61591\_10

Ref.	Part number	Qty	Name	Remarks	Ref.	Part number	Qty	Name	Remarks
1010	1622 0150 00	1	Beam		1060	0301 2344 00	16	Washer	
1015	0147 1369 03	6	Hexagon bolt		1065	0291 1111 00	8	Lock nut	
1020	0301 2344 00	12	Washer		1070	1613 7394 03	1	Data plate	
1025	0291 1111 00	6	Lock nut		1075	0244 4184 00	4	Drive screw	
1030	1622 0145 00	2	Support		1080	1079 9920 96	1	Label	
1035	0147 1365 03	8	Hexagon bolt		1085	1622 0151 00	2	Bracket	
1040	0301 2344 00	16	Washer		1090	0147 1369 03	2	Hexagon bolt	
1045	0291 1111 00	8	Lock nut		1095	0301 2344 00	4	Washer	
1050	1622 0146 00	1	Beam		1100	0291 1111 00	2	Lock nut	
1055	0147 1365 03	8	Hexagon bolt		1105	1619 0269 00	2	Rubber bumper	



# 34

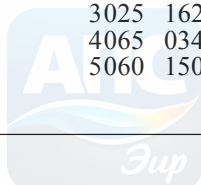
## Heavy duty filter



61595\_02

61595\_02

Ref.	Part number	Qty	Name	Remarks	Ref.	Part number	Qty	Name	Remarks
	<b>8092 2455 32</b>	<b>1</b>	<b>Heavy duty filter</b>		2030	1622 0173 00	●● 1	Adapter	
1020	1622 0175 00	● 1	Hose ass'y		2035	1622 0174 00	●● 1	Elbow	
1030	0147 1327 03	● 2	Hexagon bolt		2040	0347 6114 00	●● 2	Hose clip	
1035	0301 2335 00	● 2	Washer			<b>1622 0170 80</b>	●● 1	<b>Air filter ass'y</b>	
1040	0266 2110 00	● 2	Nut		3020	1622 0170 00	●●● 1	Air filter	
1045	0574 9911 12	● 1	Hose assembly		3025	1622 0171 00	●●● 1	Filter element	
	<b>1622 0170 81</b>	<b>● 1</b>	<b>Air filter ass'y</b>		4065	0347 6114 00	2	Hose clip	
2025	1622 0172 00	●● 1	Clamp		5060	1503 1056 00	AR	Seal	



## Service kits

Ref.	Part number	Qty	Name	Remarks	Ref.	Part number	Qty	Name	Remarks
	<b>2901 0002 01</b>	1	<b>Unloading valve kit</b>				1	<b>Oil separator kit</b>	
	0291 1110 00	• 1	Lock nut					Serial number < AII 272 365	
	0335 2136 00	• 1	Circlip			<b>2901 0779 00</b>		With bolted Minimum	
	0335 2140 00	• 1	Circlip					Pressure valve	
	0653 1033 00	• 1	Flat gasket			0663 2111 23	• 1	O-ring	
	0663 2101 85	• 1	O-ring			0663 2111 24	• 1	O-ring	
	0663 2104 83	• 2	O-ring			1622 0079 00	• 1	Oil separator element	
	0663 2105 46	• 1	O-ring						
	0663 7132 00	• 1	O-ring						<b>1 Oil separator kit</b>
	0663 7142 00	• 1	O-ring						Serial number > AII 272 365
	1202 6999 00	• 1	Gasket			<b>2901 0779 01</b>			With screwed Minimum
	1513 0011 00	• 1	Spring						Pressure valve
	1613 6783 00	• 1	Piston			0663 2111 23	• 1	O-ring	
	1613 6802 00	• 1	Spring			0663 2111 24	• 1	O-ring	
	1613 6969 00	• 2	Piston ring			1622 0516 00	• 1	Oil sep element	
	1613 7310 00	• 1	Plate						
	1613 7699 01	• 1	Valve						
		1	<b>Integr. Minimum Pressure Valve kit</b>			<b>2901 0850 00</b>	1	<b>Element mounting kit</b>	
	<b>2901 0006 00</b>		Serial number < AII 272 365			0661 1000 38	• 1	Seal washer	
	0333 3237 00	• 2	Lock washer			0661 1000 39	• 1	Seal washer	
	0335 3111 00	• 1	Retaining ring			0663 2103 22	• 1	O-ring	
	0663 3133 00	• 1	O-ring			0663 2107 78	• 3	O-ring	
	0663 3135 00	• 1	O-ring			0663 7134 00	• 3	O-ring	
	0663 7136 00	• 1	O-ring			0663 7142 00	• 1	O-ring	
	0663 9868 00	• 1	O-ring						
	1612 4048 00	• 1	Compr. Spring			<b>2901 0068 00</b>	1	<b>Thermostatic valve kit 40°</b>	
	1612 4049 00	• 1	Compr. Spring			1622 7064 01	• 1	Thermostatic valve	
	1613 3223 01	• 1	Washer			0663 2101 95	• 1	O-ring	
	1614 4662 00	• 2	Piston ring						
		1	<b>Minimum Pressure Valve kit</b>			<b>2901 0414 00</b>	1	<b>Thermostatic valve kit 60°C</b>	
	<b>2901 0997 00</b>		Serial number > AII 272 365			1622 7064 04	• 1	Thermostatic valve	
	0661 1000 46	• 1	Seal washer			0663 2101 95	• 1	O-ring	
	0663 2101 30	• 1	O-ring 26.7 x 1						
	1622 0525 00	• 1	Spring			<b>2901 0716 00</b>	1	<b>Motor bearing kit</b>	
	1622 0523 01	• 1	Valve disk			0502 1091 78	• 1	11 kW, 22 kW	
	1622 0522 01	• 1	Piston			0502 1091 79	• 1	Bearing (d end)	
						2901 0719 00	• 1	Bearing (n end)	
						2901 0338 02	• 8	Motor sealing kit	
	<b>2901 0245 01</b>	1	<b>Oil can</b>						<b>1 Motor bearing kit</b>
			ROTO-INJECTFLUID 5 I			<b>2901 1414 00</b>			30 kW
	<b>2901 0522 00</b>	1	<b>Oil can</b>						
			ROTO-INJECTFLUID 20 I			<b>2901 0088 00</b>		<b>1 Maintenance kit</b>	
						2901 0002 01	• 1	Serial number < AII 272 365	
						2901 0006 00	• 1	Unloading valve kit	
	<b>2901 0695 00</b>	1	<b>Filter kit</b>			2901 0695 00	• 1	Integr. mpv.kit	
	0661 1000 39	• 1	Seal washer			2901 0712 00	• 1	Filter kit GA 11	
	0663 2102 15	• 1	O-ring			2901 0779 00	• 1	Service kit WSD	
	1613 6105 00	• 1	Oil filter						Oil sep. kit GA
	1613 8720 00	• 1	Filter element						
	<b>2901 0712 00</b>	1	<b>Service kit WSD</b>			<b>2901 0998 00</b>		<b>1 Maintenance kit</b>	
	0663 2109 81	• 1	O-ring			2901 0002 01	• 1	Serial number > AII 272 365	
	0663 2111 28	• 1	O-ring			2901 0695 00	• 1	Unl.valv.k.GA 11	
	0663 3133 00	• 3	O-ring			2901 0779 01	• 1	Filter kit GA 11	
	1613 9227 80	• 1	Drain assembly			2901 0997 00	• 1	Oil sep. kit GA	
						2901 0712 00	• 1	Mpv kit	
									Service kit WSD
	<b>2901 0748 00</b>	1	<b>Kit WSD 25, WSD 40</b>			<b>2901 5005 00</b>	1	<b>Shaft bearing kit</b>	
	0291 1108 00	• 1	Lock nut			0663 2103 22	• 1	O-ring	
	0663 9289 00	• 1	O-ring			1616 5742 00	• 1	Seal washer	
	1613 9225 00	• 1	Clamp			1622 0009 00	• 1	Bushing	
	1613 9226 00	• 1	Ring						





+7(916) 033-41-41

[apsair@apsair.ru](mailto:apsair@apsair.ru)

[apsair.ru](http://apsair.ru)