

Atlas Copco Stationary Air Compressors

GA 15, GA 18, GA 22

Parts list

From following serial No. onwards :
API - 450 000

- Copyright 2006, Atlas Copco Airpower n.v., Antwerp, Belgium.
Any unauthorized use or copying of the contents or any part thereof is prohibited.
This applies in particular to trademarks, model denominations, part numbers and drawings.
- **Use only authorized parts.** Any damage or malfunction caused by the use of unauthorized parts is not covered by Warranty or Product Liability.

No. 2930 7002 01

Registration code : APC G11-30C / 39

Replaces No. 2930 7002 00

2006-05

www.atlascopco.com



<https://apsair.ru>

Atlas Copco

Contents
 Inhoud
 Innehåll
 Inhaltsverzeichnis
 Table des matières
 Indice

Indice
 Innholdsfortegnelse
 Índice
 Indholdsfortegnelse
 Sisällysluettelo

Drive arrangement
 Aandrijfuitvoering
 Drivarrangemang
 Antriebsanordnung
 Dispositif d'entraînement
 Disposición de accionamiento
 Disposizione di azionamento
 Arrangement
 Disposição de accionamento
 Drivarrangement
 Rakenne 1

Unloading valve
 Ontlastventiel
 Avlastningsventil
 Entlastungsventil
 Soupape de décharge
 Válvula de descarga
 Valvola di messa a vuoto
 Aflastningsventil
 Válvula de descarga
 Avlastningsventil
 Kevennysventtiili 2

Air flow
 Luchtstroming
 Luftflöde
 Luftstrom
 Flux d'air
 Flujo de aire
 Flusso d'aria
 Luftflow
 Fluxo de ar
 Luftstrøm
 Ilman virtaus

- Air inlet 3
 - Pack 4
 - Full Feature 5
 - Air dryer 6

Air receiver
 Luchtketel
 Luftbehållare
 Luftbehälter
 Réservoir d'air
 Depósito de aire
 Serbatoio dell'aria
 Luftbeholder
 Reservatório de ar
 Luftbeholder
 Ilmasäiliö

- Pack 7
 - Full Feature 8

Oil system
 Oliesysteem
 Oljesystem
 Ölsystem
 Système d'huile
 Sistema de aceite
 Sistema dell'olio
 Oliesystem
 Sistema de óleo
 Oljesystem
 Voitelujärjestelmä

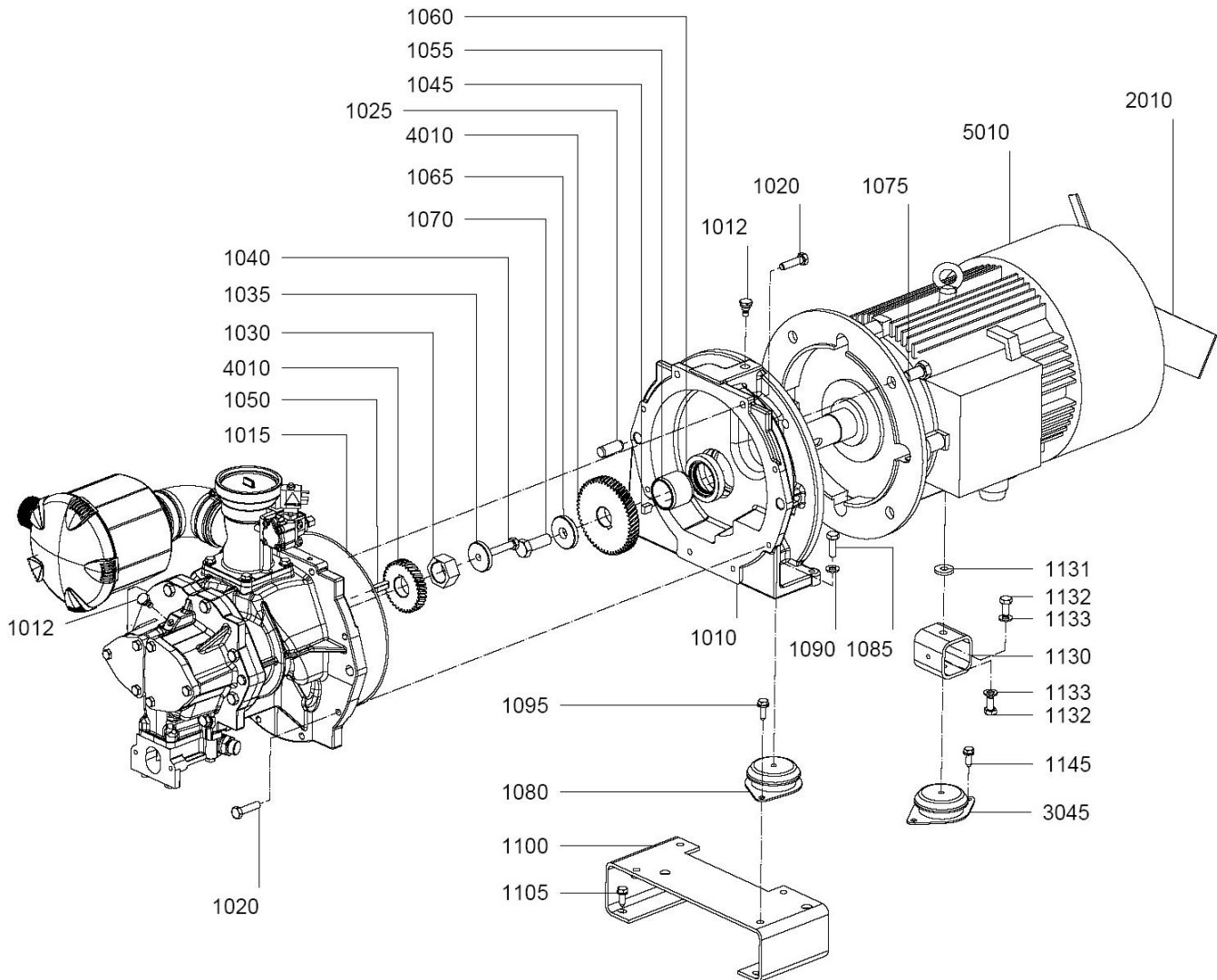
- Oil circuit 9
 - Oil vessel connections 10

Start cubicle		Standard option	
Startkast		Standaard optie	
Startskåp		Standard tilläggsutrustning	
Anlaßschrank		Standard Option	
Armoire de démarrage		Option standard	
Cubículo de arranque		Opción estándar	
Armadio apparecch. di avviamento		Opzione standard	
Starterskab		Standard ekstraudstyr	
Cubículo		Opção standard	
Startskap		Standard tilleggsutstyr	
Käynnistinkotelo		Lisävaruste	
- IEC	11	- Dryer equipment	17
- CSA/UL	12	- DD filter	18
Bodywork		- DD/PD filters	19
Carrosserie		- EWD - Pack	20
Karosseri		- EWD - Air receiver	21
Karosserie		- Timer Drain - Pack	22
Capotage		Service kits	
Carrocería		Service kits	
Cappottatura		Service kits	
Karosseri		Service Kits	
Carroceria		Service kits	
Kabinett		Service kits	
Kotelo		Kit per la manutenzione	
- Baffles - Pack	13	Service kits	
- Baffles - Full Feature	14	Conjuntos de reparação	
- Pack	15	Servicesett	
- Full Feature	16	Huoltotarvikesarjat	23



1

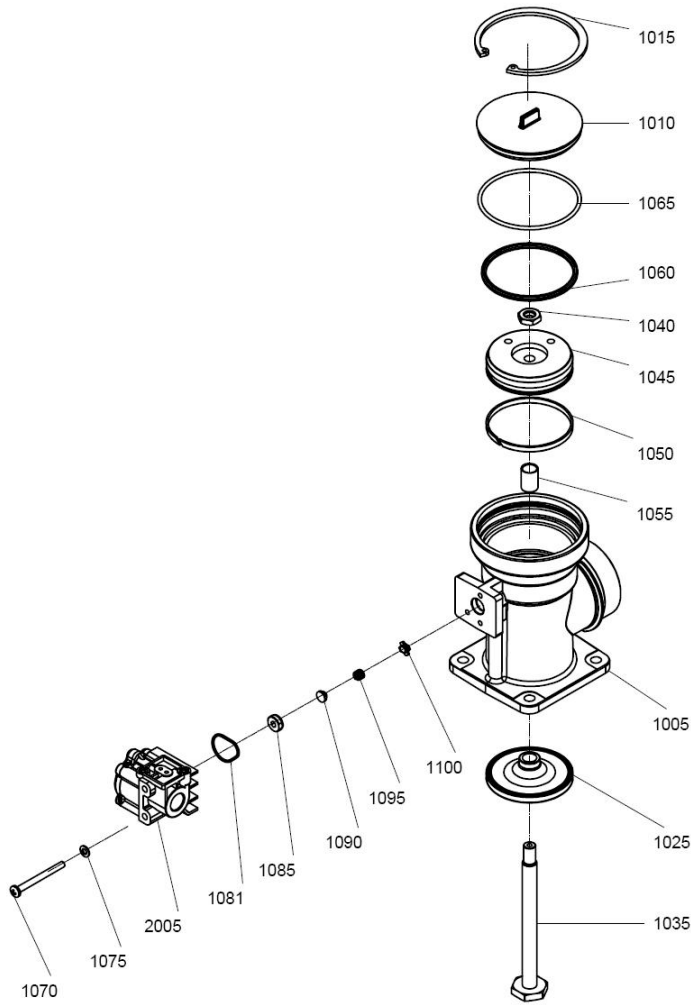
Drive arrangement



Ref.	Part number	Qty	Name	Remarks	Ref.	Part number	Qty	Name	Remarks
1010	1622 0007 00	1	Gear casing		1603 0702 52			GA 15 175 psig 60Hz	
1012	1619 6032 00	2	Nipple		1603 0702 76			GA 18 7.5 bar(e) 50Hz	
1015	0663 2103 22	1	O-ring		1603 0702 67			GA 18 8.5 bar(e) 50Hz	
1020	0147 1365 03	8	Hexagon bolt		1603 0702 54			GA 18 10 bar(e) 50Hz	
1025	0101 1951 40	2	Pin		1603 0702 55			GA 18 13 bar(e) 50Hz	
1030	1622 3400 00	1	Spacer		1603 0702 73			GA 18 100 psig 60Hz	
1035	1622 3401 00	1	Washer		1603 0702 55			GA 18 125 psig 60Hz	
1040	0147 1368 03	1	Hexagon bolt		1603 0702 68			GA 18 150 psig 60Hz	
1045	0337 0009 42	1	Parallel key		1603 0702 75			GA 18 175 psig 60Hz	
1050	0337 0009 45	1	Parallel key		1603 0702 60			GA 22 7.5 bar(e) 50Hz	
1055	1622 0009 00	1	Bushing		1603 0702 62			GA 22 8.5 bar(e) 50Hz	
1060	1616 5742 00	1	Seal ring		1603 0702 76			GA 22 10 bar(e) 50Hz	
1065	1622 0010 00	1	Washer		1603 0702 63			GA 22 13 bar(e) 50Hz	
1070	0147 1478 03	1	Hexagon bolt		1603 0702 67			GA 22 100 psig 60Hz	
1075	0147 1475 03	4	Hexagon bolt		1603 0702 63			GA 22 125 psig 60Hz	
1080	1613 6752 01	2	Antivibr.Pad		1603 0702 73			GA 22 150 psig 60Hz	
1085	0147 1363 03	2	Hexagon bolt		1603 0702 55			GA 22 175 psig 60Hz	
1090	0301 2344 00	2	Washer		5010			Motor	
1095	0147 1962 72	4	Bolt		1080 4251 21			15kW 200V/50Hz	
1100	1622 0136 00	1	Support		1080 4251 22			15kW 230V/50Hz	
1105	0147 1963 08	4	Hexagon bolt		1080 4251 23			15kW 400V/50Hz	
1130	1622 4752 10	1	Motor support		1080 4251 24			15kW 500V/50Hz	
1131	0300 0274 93	1	Washer		1080 4251 32			15kW 200-230-460V/60Hz	
1132	0147 1360 03	2	Hexagon bolt		1080 4251 33			15kW 380V/60Hz	
1133	0301 2344 00	2	Washer		1080 4251 34			15kW 575V/60Hz	
1145	0147 1963 08	2	Hexagon bolt		1080 4251 37			15kW 440-460V/60Hz	
2010		1	Fan		1080 4252 21			18.5kW 200V/50Hz	
	1622 4783 04		GA 15 50Hz		1080 4252 22			18.5kW 230V/50Hz	
	1622 4783 03		GA 15 60Hz		1080 4252 23			18.5kW 400V/50Hz	
	1622 4783 09		GA 18 50Hz		1080 4252 24			18.5kW 500V/50Hz	
	1622 4783 04		GA 18 60Hz		1080 4252 32			18.5kW 200-230-460V/60Hz	
	1622 4783 09		GA 22 50Hz		1080 4252 33			18.5kW 380V/60Hz	
	1622 4783 04		GA 22 60Hz		1080 4252 34			18.5kW 575V/60Hz	
3045	1613 6752 01	1	Antivibr.pad		1080 4252 37			18.5kW 440-460V/60Hz	
4010			Gear set		1080 4253 21			22kW 200V/50Hz	
	1603 0702 73		GA 15 7.5 bar(e) 50Hz		1080 4253 22			22kW 230V/50Hz	
	1603 0702 55		GA 15 8.5 bar(e) 50Hz		1080 4253 23			22kW 400V/50Hz	
	1603 0702 68		GA 15 10 bar(e) 50Hz		1080 4253 24			22kW 500V/50Hz	
	1603 0702 50		GA 15 13 bar(e) 50Hz		1080 4253 32			22kW 200-230-460V/60Hz	
	1603 0702 72		GA 15 100 psig 60Hz		1080 4253 33			22kW 380V/60Hz	
	1603 0702 75		GA 15 125 psig 60Hz		1080 4253 34			22kW 575V/60Hz	
	1603 0702 51		GA 15 150 psig 60Hz		1080 4253 37			22kW 440-460V/60Hz	

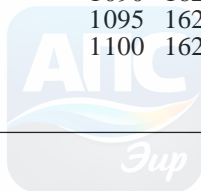
2

Unloading valve



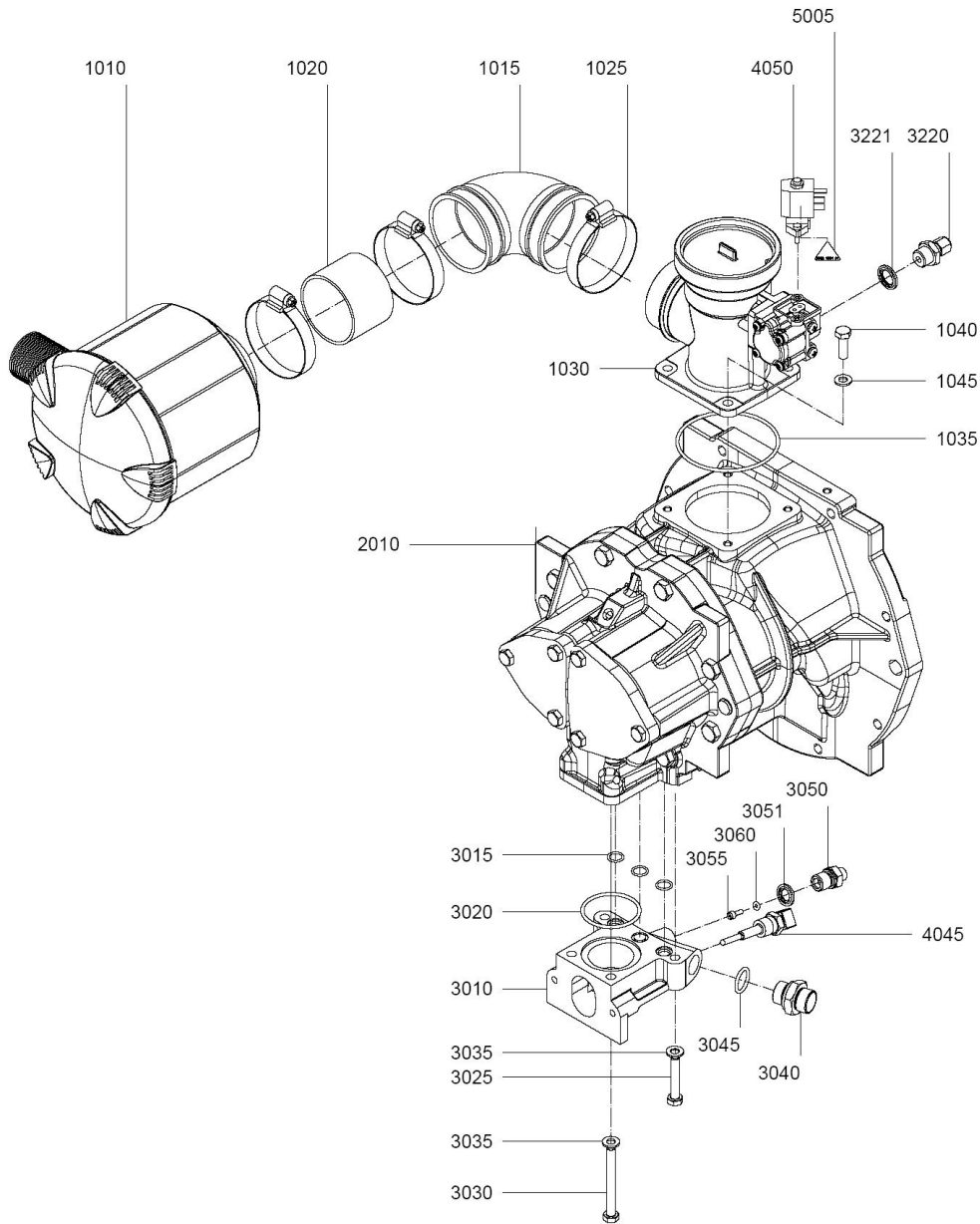
9820453600

Ref.	Part number	Qty	Name	Remarks	Ref.	Part number	Qty	Name	Remarks
1005	1622 1713 00	1	Housing		1065	0663 2104 98	1	O-ring	
1010	1622 1717 00	1	Cover		1070	0160 0996 86	1	Cross rec screw	
1015	0335 2164 00	1	Circlip		1075	0301 2318 00	1	Washer	
1025	1622 1755 80	1	Valve ass'y		1080	1622 3694 80	1	Assembly	
1035	1622 1773 00	1	Rod		1081	0663 2111 55	1	O-ring	
1040	0261 1090 86	1	Nut		1085	1622 2906 00	1	Bushing	
1045	1622 1789 00	1	Piston		1090	1622 2905 00	1	High temperature sealing	
1050	1622 1790 00	1	Guidance tape		1095	1622 2904 00	1	Spring	
1055	1622 1797 00	1	Bushing		1100	1622 2903 00	1	Spring guide	
1060	1622 1798 00	1	Quad-ring						



Air system - Air inlet

3

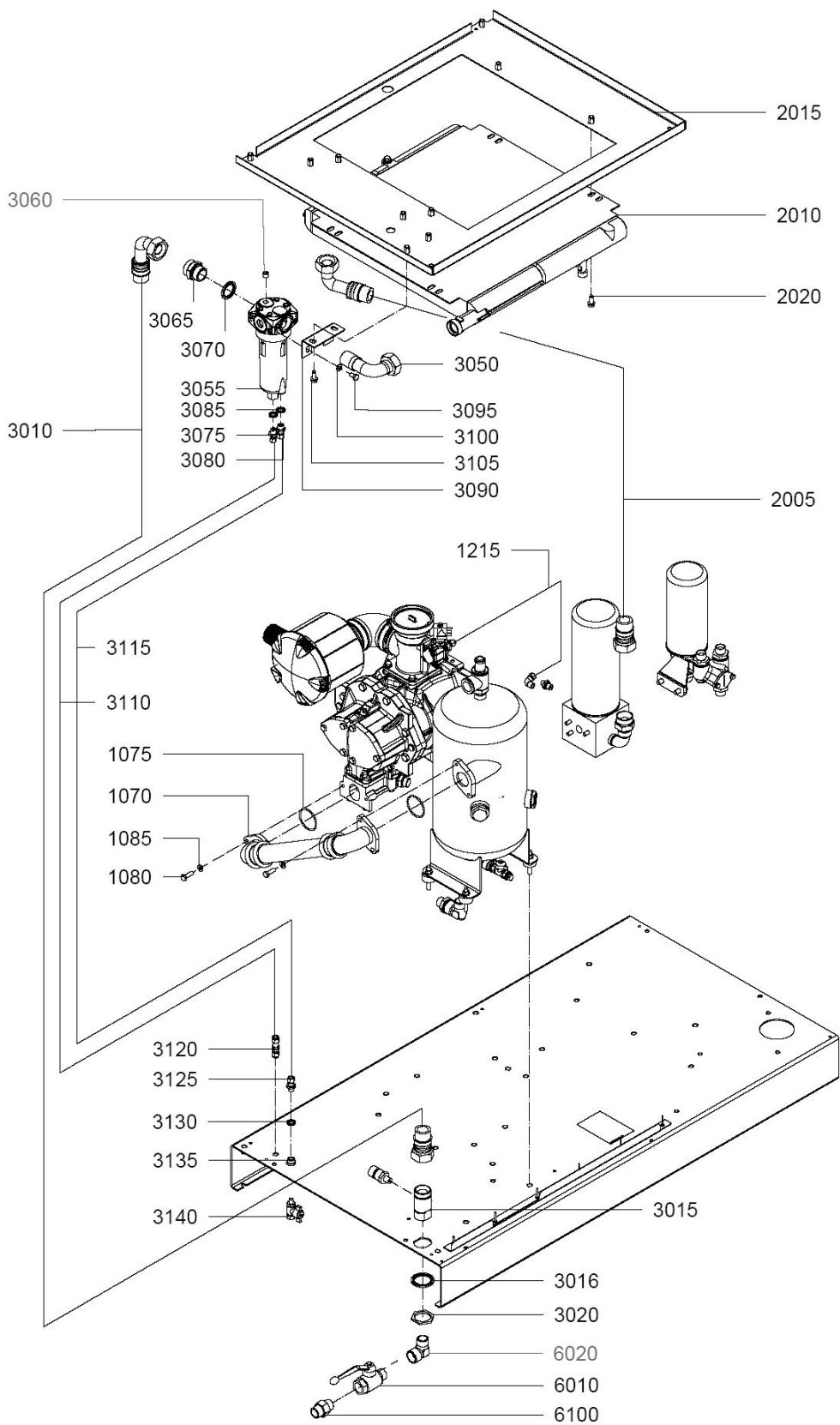


9820364300

Ref.	Part number	Qty	Name	Remarks	Ref.	Part number	Qty	Name	Remarks
1010	1613 8719 00	1	Filter housing		3035	0301 2335 00	4	Washer	
	1613 8720 00	1	Filter element		3040	1622 3551 15	1	Nipple	
1015	1622 4741 00	1	Elbow		3045	0663 3125 00	1	O-ring	
1020	1622 4780 00	1	Tube		3050	1622 0164 00	1	Nipple	
1025	0347 6114 00	3	Hose clip		3051	0661 1000 38	1	Seal washer	
1030	1622 1713 80	1	Assembly Unloader		3055	1613 9005 01	1	Valve	
1035	0663 7142 00	1	O-ring		3060	0663 2108 11	1	O-ring	
1040	0147 1325 03	4	Hexagon bolt		3220	0581 0001 02	1	Nipple	
1045	0301 2335 00	4	Washer		3221	0661 1000 40	1	Seal washer	
2010	1616 6712 90	1	Service stage		4045	1089 0574 55	1	Temp.sensor	
3010	1622 0014 01	1	Housing		4050		1	Solenoid valve	
3015	0663 2111 35	3	O-ring			1089 0702 09		110V/50Hz	
3020	0663 7134 00	1	O-ring			1089 0702 10		120V/60Hz	
3025	0147 1329 03	2	Hexagon bolt		5005	1088 1001 01	1	Warning mar	
3030	0147 1335 03	2	Hexagon bolt						



4

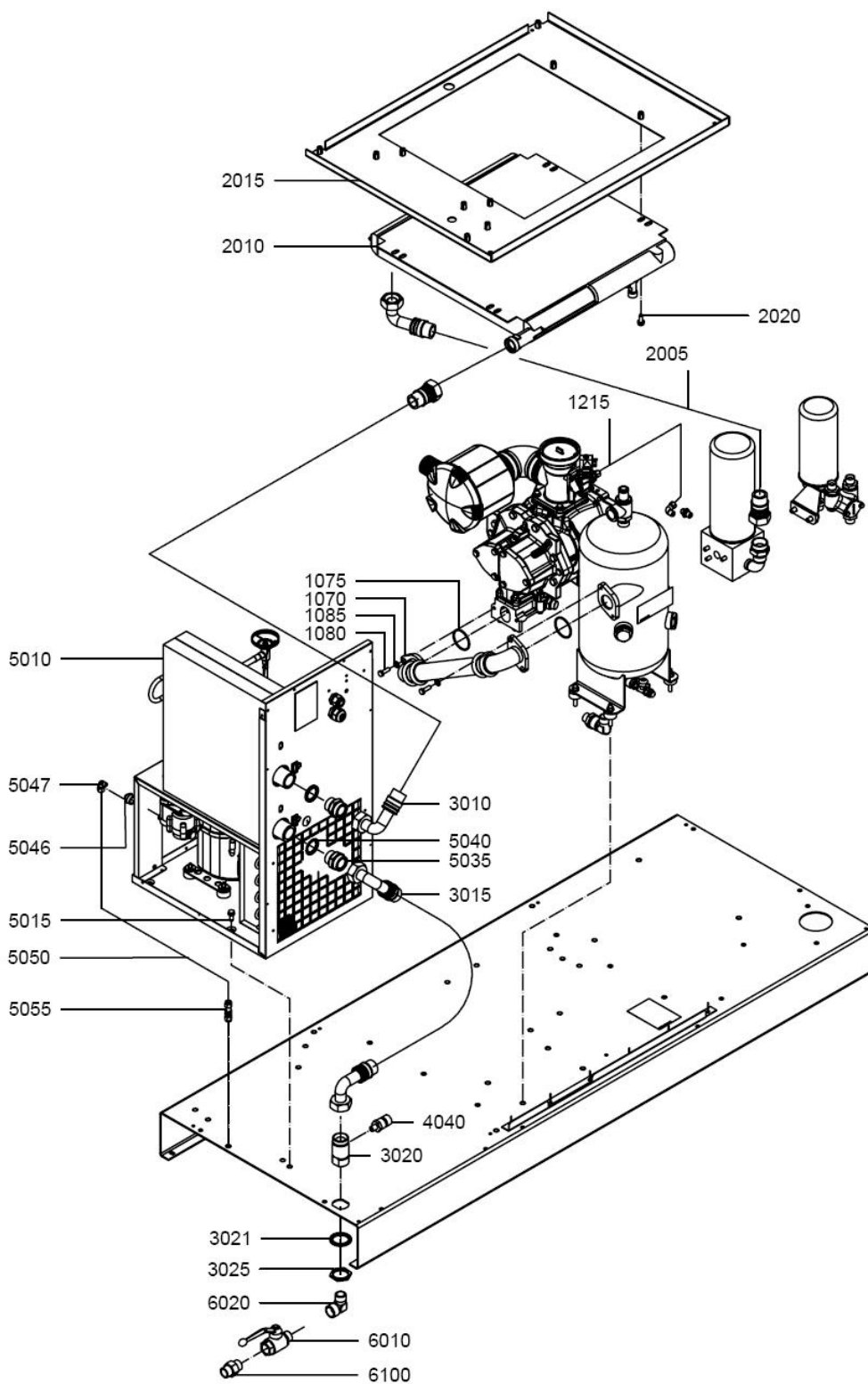


Air system - Pack

4

Ref.	Part number	Qty	Name	Remarks	Ref.	Part number	Qty	Name	Remarks
1070	1622 0015 00	1	Hose assembly		3070	0661 1000 44	1	Seal washer	
1075	0663 7134 00	2	O-ring		3075	0581 0000 34	1	Coupling	
1080	0147 1325 03	4	Hexagon bolt		3080	0581 0000 35	1	Coupling	
1085	0301 2335 00	4	Washer		3085	0661 1000 38	2	Seal washer	
1215	0070 6002 05	AR	Plastic tube		3090	1622 4799 00	1	Support	
2005	0574 9911 35	1	Hose assy		3095	0147 1321 03	2	Hexagon bolt	
2010		1	Cooler		3100	0301 2335 00	2	Washer	
	1622 0942 00		GA 15		3105	0147 1963 08	2	Tapping screw	
	1622 0943 00		GA 18		3110	0070 6002 05	AR	Plastic tube	
	1622 0944 00		GA 22		3115	0070 6002 04	AR	Plastic tube	
2015		1	Plate		3120	0581 0000 55	1	Pipe coupling	
	1622 4765 81		GA 15		3125	0581 0000 35	1	Coupling	
	1622 4764 81		GA 18		3130	0661 1000 38	1	Seal washer	
	1622 4774 81		GA 22		3135	0581 0000 43	1	Coupling	
2020	0147 1963 08	4	Hexagon bolt		3140	0852 0010 55	1	Ball valve	
3010	0574 9911 41	1	Hose assembly		4040	1089 0575 54	1	Press.transducer	
3015	1622 4739 50	1	Outlet		6010		1	Ball valve	
3016	0661 1000 45	1	Seal washer			0852 0010 34		Floor Mounted	
3020	0697 9809 06	1	Lock nut		6020		1	Elbow	
3050	1622 4798 00	1	Pipe			0605 9500 09		Floor Mounted	
3055	1613 8222 80	1	WSD 25		6100		1	Hexagon Nipple	
3060	0686 6128 00	1	Plug			0603 4150 17		Floor Mounted CSA/UL	
3065	2250 4983 00	1	Nipple						

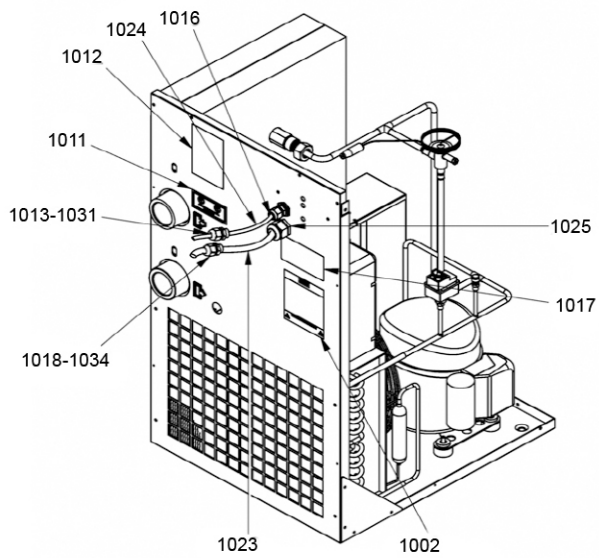
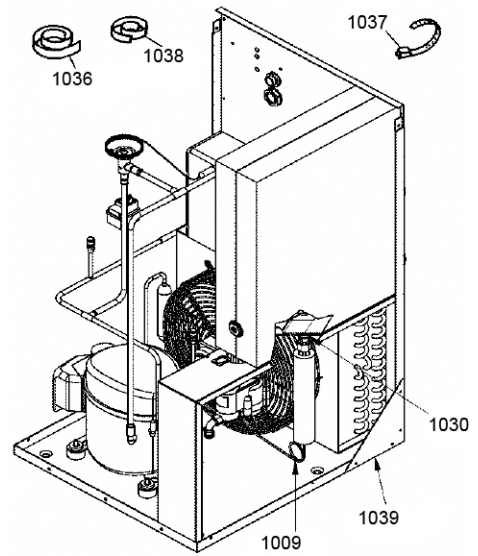
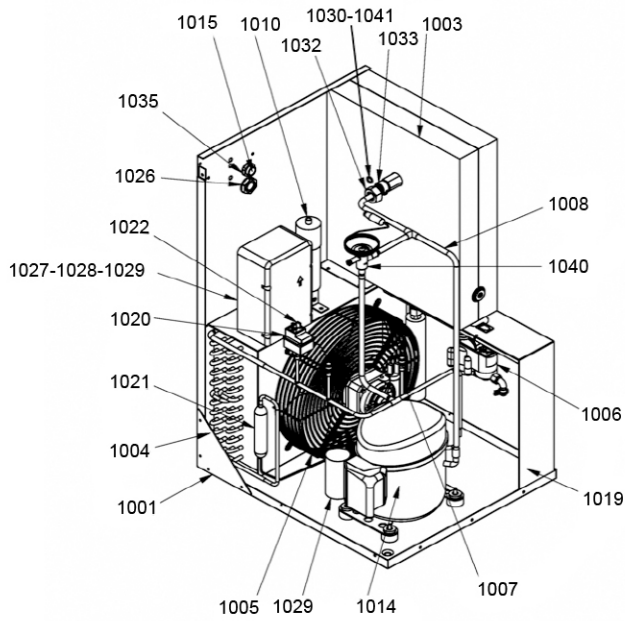
4



Air system - Full Feature

Ref.	Part number	Qty	Name	Remarks	Ref.	Part number	Qty	Name	Remarks
1070	1622 0015 00	1	Hose assembly		1624 2469 81			GA 18 10 bar(e) A7X 50Hz	
1075	0663 7134 00	2	O-ring		1624 2468 81			GA 18 13 bar(e) A6X 50Hz	
1080	0147 1325 03	4	Hexagon bolt		1624 2469 82			GA 18 100 psig A7X 60Hz	
1085	0301 2335 00	4	Washer		1624 2469 82			GA 18 125 psig A7X 60Hz	
1215	0070 6002 05	AR	Plastic tube		1624 2469 82			GA 18 150 psig A7X 60Hz	
2005	0574 9911 35	1	Hose assy		1624 2468 82			GA 18 175 psig A6X 60Hz	
2010		1	Cooler		1624 2469 81			GA 22 7.5 bar(e) A7X 50Hz	
	1622 0942 00		GA 15 FF		1624 2469 81			GA 22 8.6 bar(e) A7X 50Hz	
	1622 0943 00		GA 18 FF		1624 2469 81			GA 22 10 bar(e) A7X 50Hz	
	1622 0944 00		GA 22 FF		1624 2469 81			GA 22 13 bar(e) A7X 50Hz	
2015		1	Plate		1624 2469 82			GA 22 100 psig A7X 60Hz	
	1622 4765 81		GA 15 FF		1624 2469 82			GA 22 125 psig A7X 60Hz	
	1622 4764 81		GA 18 FF		1624 2469 82			GA 22 150 psig A7X 60Hz	
	1622 4774 81		GA 22 FF		1624 2469 82			GA 22 175 psig A7X 60Hz	
2020	0147 1963 08	4	Hexagon bolt		5015 0147 1963 08	3		Hexagon bolt	
3010	0575 0125 45	1	Hose assembly		5035		2	Nipple	
3015	0575 0785 01	1	Hose assembly			2250 4983 00		A6X	
3020	1622 4739 50	1	Nipple			0571 0035 90		A7X	
3021	0661 1000 45	1	Washer		5040		2	Seal washer	
3025	0697 9809 06	1	Lock nut			0661 1000 44		A6X	
4040	1089 0575 54	1	Press.transducer			0661 1000 46		A7X	
5010		1	Dryer		5046	0607 1151 06	1	Reducing socket	
	1624 2468 81		GA 15 7.5 bar(e) A6X 50Hz		5047	0581 1200 26	1	Elbow coupling	
	1624 2468 81		GA 15 8.6 bar(e) A6X 50Hz		5050	0070 6002 05	AR	Plastic tube	
	1624 2468 81		GA 15 10 bar(e) A6X 50Hz		5055	0581 0000 55	1	Pipe coupling	
	1624 2468 81		GA 15 13 bar(e) A6X 50Hz		6010		1	Ball valve	
	1624 2468 82		GA 15 100 psig A6X 60Hz			0852 0010 34		Floor Mounted	
	1624 2468 82		GA 15 125 psig A6X 60Hz		6020		1	Elbow	
	1624 2468 82		GA 15 150 psig A6X 60Hz			0605 9500 09		Floor Mounted	
	1624 2468 82		GA 15 175 psig A6X 60Hz		6100		1	Hexagon nipple	
	1624 2469 81		GA 18 7.5 bar(e) A7X 50Hz			0603 4150 17		Floor Mounted CSA/UL	
	1624 2468 81		GA 18 8.6 bar(e) A6X 50Hz						

6

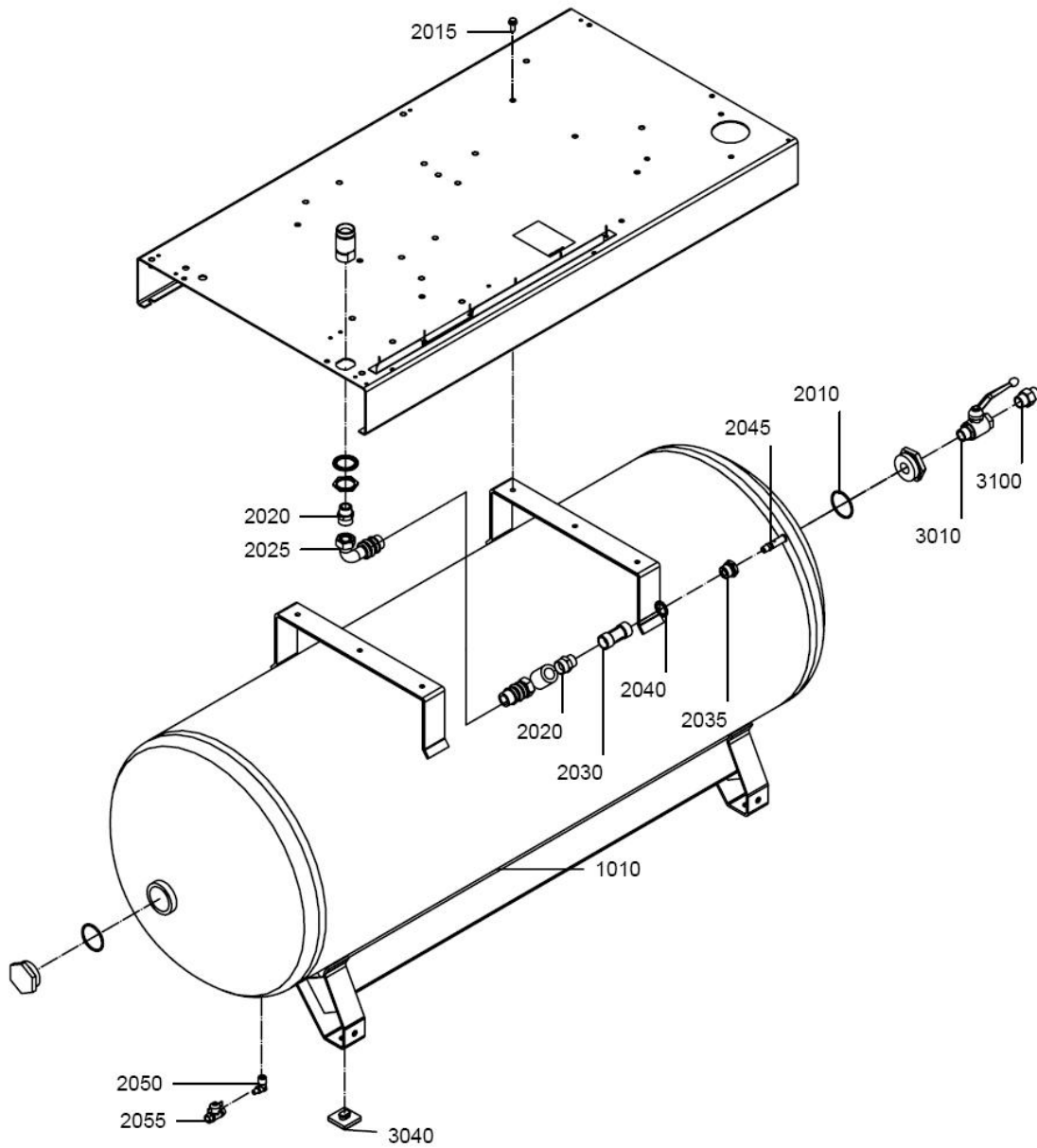


Air System - Dryer

6

Ref.	Part number	Qty	Name	Remarks	Ref.	Part number	Qty	Name	Remarks
	8092 2652 74		GA 15 7.5 bar(e) A6X 50Hz		1014		• 1	Refr. compressor	
	8092 2652 74		GA 15 8.6 bar(e) A6X 50Hz			2202 7370 02		A6X CE	
	8092 2652 74		GA 15 10 bar(e) A6X 50Hz			2202 7370 06		A6X CSA/UL	
	8092 2652 74		GA 15 13 bar(e) A6X 50Hz			2202 7370 03		A7X CE	
	8092 2652 90		GA 15 100 psig A6X 60Hz			2202 7370 08		A7X CSA/UL	
	8092 2652 90		GA 15 125 psig A6X 60Hz		1015	0697 9745 71	• 1	Reducer	
	8092 2652 90		GA 15 150 psig A6X 60Hz		1016	0698 5141 24	• 1	Cable gland	
	8092 2652 90		GA 15 175 psig A6X 60Hz		1017		• 1	Data plate	
	8092 2652 82		GA 18 7.5 bar(e) A7X 50Hz		1018	0698 5140 71	• 1	Cable gland	
	8092 2652 82		GA 18 8.6 bar(e) A7X 50Hz		1019		• 1	Stirrup	
	8092 2652 82		GA 18 10 bar(e) A7X 50Hz			2202 7365 00		A6X	
	8092 2652 74		GA 18 13 bar(e) A6X 50Hz			2202 7333 00		A7X	
	8092 2653 08		GA 18 100 psig A7X 60Hz		1020	2200 6006 79	• 1	Pressure switch	
	8092 2653 08		GA 18 125 psig A7X 60Hz		1021	2202 7569 01	• 1	Filter dryer	
	8092 2653 08		GA 18 150 psig A7X 60Hz		1022	2200 7099 06	• 1	Terminal cap	
	8092 2652 90		GA 18 175 psig A6X 60Hz		1023		• 1	Cubicle diagram	
	8092 2652 82		GA 22 7.5 bar(e) A7X 50Hz			9828 4200 16		A6X CE	
	8092 2652 82		GA 22 8.6 bar(e) A7X 50Hz			9828 4400 31		A6X CSA/UL	
	8092 2652 82		GA 22 10 bar(e) A7X 50Hz			9828 4200 17		A7X CE	
	8092 2652 82		GA 22 13 bar(e) A7X 50Hz			9828 4400 32		A7X CSA/UL	
	8092 2653 08		GA 22 100 psig A7X 60Hz		1024	1089 0574 80	• 1	Thermoresistance	
	8092 2653 08		GA 22 125 psig A7X 60Hz		1025	0698 5141 22	• 1	Cable gland	
	8092 2653 08		GA 22 150 psig A7X 60Hz		1026	0697 9809 54	• 1	Nut	
	8092 2653 08		GA 22 175 psig A7X 60Hz		1027		• 1	Start relay	
1001		• 1	Frame base			2202 7651 05		A6X CE	
	2202 7360 81		A6X			2202 7651 08		A6X CSA/UL	
	2202 7383 81		A7X			2202 7651 06		A7X CE	
1002		• 1	Label			2202 7651 11		A7X CSA/UL	
	2202 7801 00		A6X CSA/UL		1028		• 1	Overload protector	
	2202 7802 00		A7X CSA/UL			2202 7652 05		A6X CE	
1003		• 1	Heat exchanger			2202 7652 10		A6X CSA/UL	
	2202 7366 81		A6X			2202 7652 06		A7X CE	
	2202 7367 81		A7X			2202 7652 12		A7X CSA/UL	
1004		• 1	Condenser unit		1029		• 1	Start capacitor	
	2202 7351 02		A6X			2202 7650 03		A6X CE	
	2202 7352 01		A7X			2202 7650 09		A6X CSA/UL	
1005		• 1	Motor fan			2202 7650 04		A7X CE	
	2202 7373 01		A6X CE			2202 7650 10		A7X CSA/UL	
	2202 7373 03		A6X CSA/UL		1030	2202 7425 01	•	O-ring	
	2202 7373 02		A7X CE				2	A6X CE	
	2202 7373 05		A7X CSA/UL				1	A7X CE	
1006	2202 7440 01	• 1	Electric drain		1031	0697 9809 30	• 1	Nut	
1007	2200 5997 43	• 1	Check valve		1032		• 1	Nut Rotalock	
1008		• 1	Pipe			2202 7466 02		A6X	
	2202 7342 80		A6X			2202 7466 04		A7X	
	2202 7334 80		A7X		1033		• 1	Sleeve	
1009		• 1	Capillary			2202 7466 01		A6X	
	2202 7413 02		A6X			2202 7466 03		A7X	
	2202 7413 03		A7X		1034	0697 9809 20	• 1	Nut	
1010		• 1	Run capacitor		1035	0697 9809 53	• 1	Nut	
	2202 7653 02		A6X CE		1036	0017 9862 67	• AR	Tape	
	2202 7653 03		A7X CE		1037	0348 0101 20	• 10	Cable tie	
1011	2202 2611 92	• 1	Label UI		1038	2202 7587 01	• AR	Tape	
1012	1079 9901 09	• 1	Label		1039	2202 7706 00	• 2	Angle iron	
1013	0698 5140 70	• 1	Cable gland		1040	2202 7324 02	• 1	Hot Gas By-Pass valve	

7

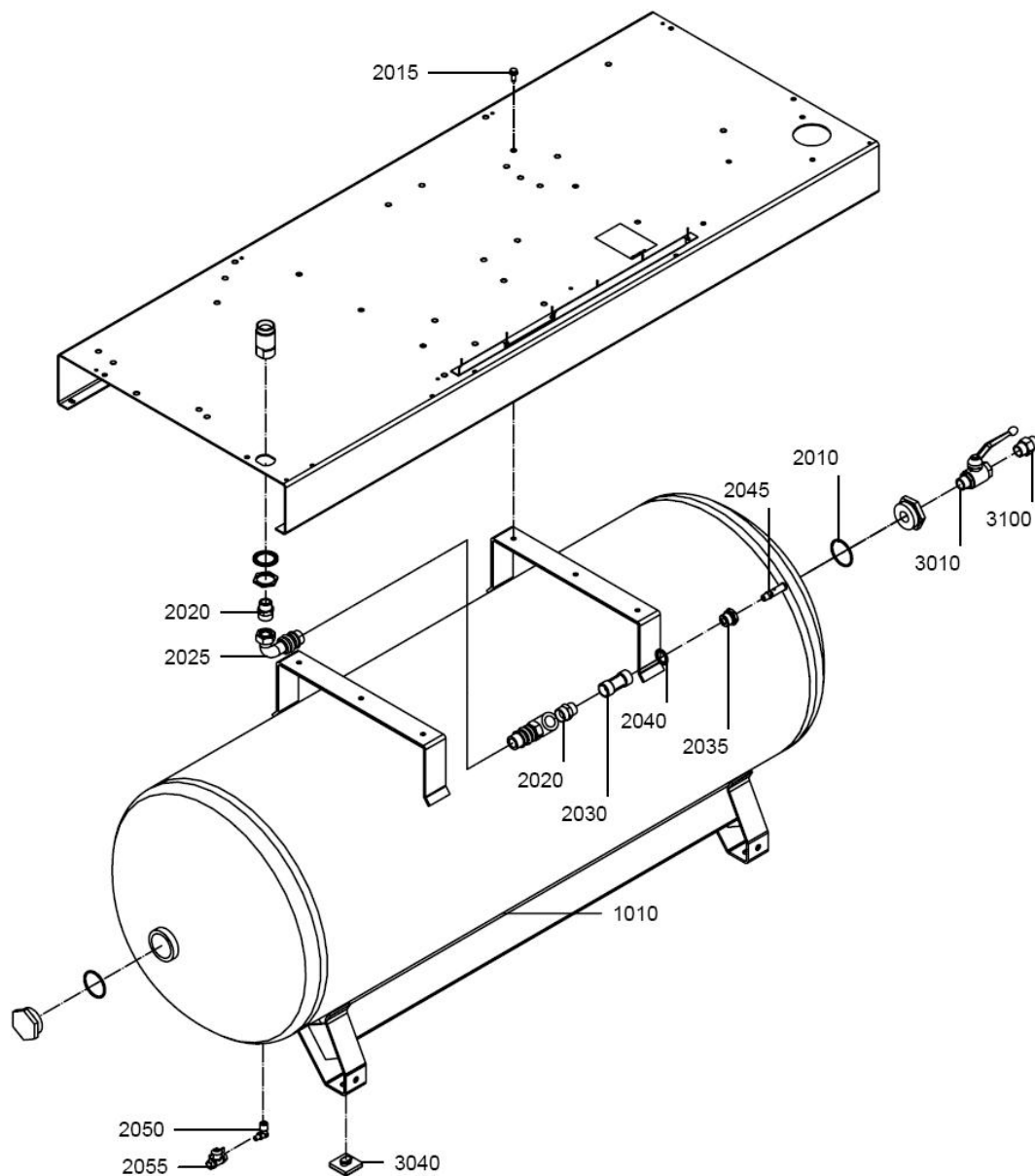


Air receiver - Pack

Ref.	Part number	Qty	Name	Remarks	Ref.	Part number	Qty	Name	Remarks
1010		1	Air receiver		2040	0661 1000 43	1	Seal washer	
	1622 4785 00		ASME 200 psig 125gallon		2045		1	Safety valve	
	1622 4784 00		CE 14 bar(e) 500l			0830 1008 85		ASME 200 psig	
	1622 4787 00		DIR 14 bar(e) 500l			0830 1008 88		CE 13.5 bar(e)	
	1622 4786 00		MOM 200 psig 125gallon		2050		1	Elbow	
	1622 4788 00		SQL 14 bar(e) 500l			1503 2565 41		No US air receiver	
	1622 4785 50		US ASME 200 psig			0560 4400 51		US air receiver	
			125gallon		2055		1	Ball Valve	
2010	0663 9202 00	2	O-ring			0852 0010 36		No US air receiver	
2015	0147 1962 72	6	Bolt			0852 2000 04		US air receiver	
2020	0571 0035 53	2	Nipple		3010	0852 0010 34	1	Ball valve	
2025	0575 0125 46	1	Hose assembly		3040	1502 4202 00	4	Pad	
2030	0605 9500 10	1	Tee		3100		1	Hexagon nipple	
2035		1	Reducer			0603 4150 17		CSA/UL	
	0605 8700 84		ASME						
	0605 8820 05		CE						



8

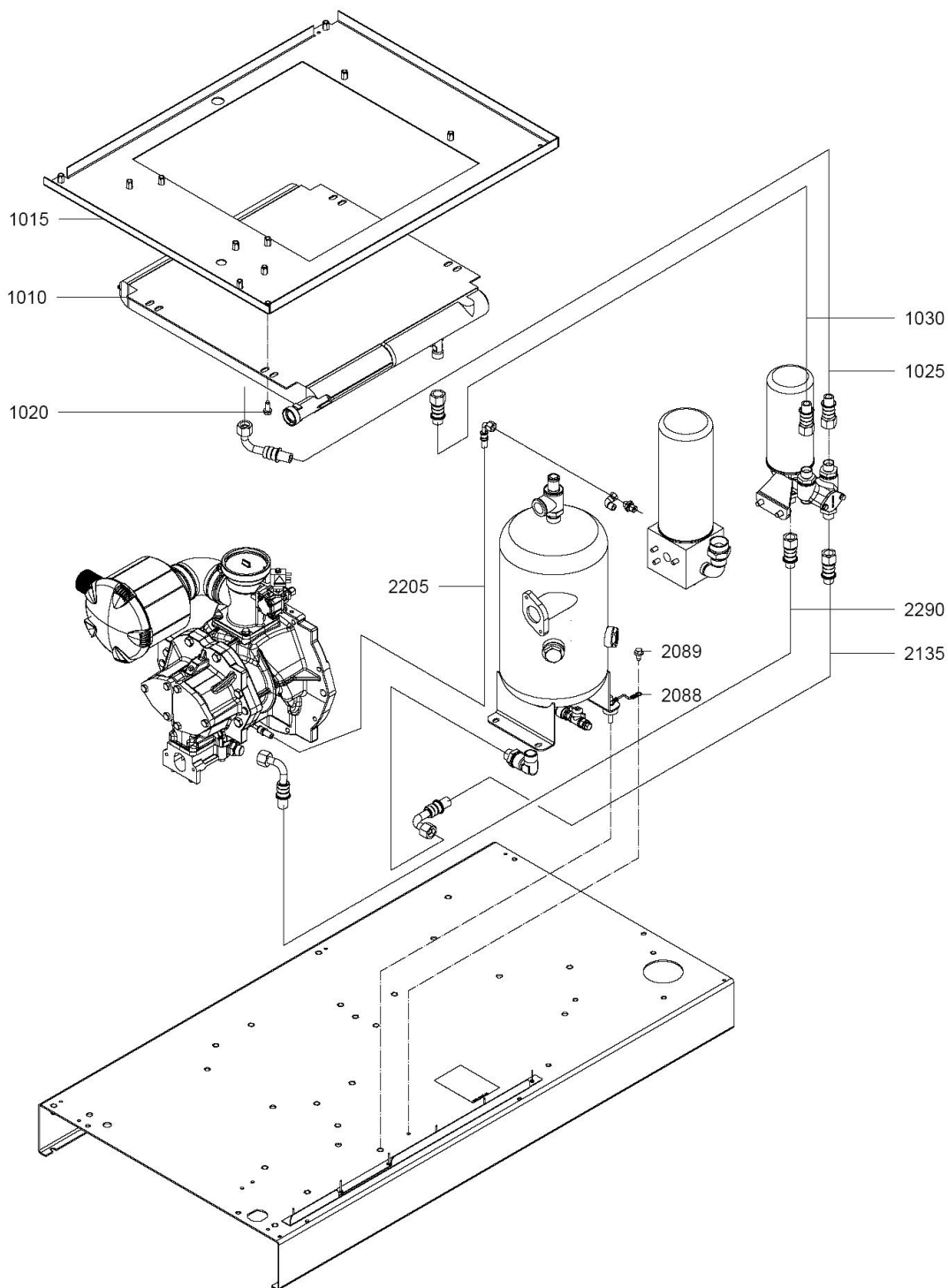


Air receiver - Full Feature

8

Ref.	Part number	Qty	Name	Remarks	Ref.	Part number	Qty	Name	Remarks
1010		1	Air receiver		2040	0661 1000 43	1	Seal washer	
	1622 4785 00		ASME 200 psig 125gallon		2045		1	Safety valve	
	1622 4784 00		CE 14 bar(e) 500l			0830 1008 85		ASME 200 psig	
	1622 4787 00		DIR 14 bar(e) 500l			0830 1008 88		CE 13.5 bar(e)	
	1622 4786 00		MOM 200 psig 125gallon		2050		1	Elbow	
	1622 4788 00		SQL 14 bar(e) 500l			1503 2565 41		No US air receiver	
	1622 4785 50		US ASME 200 psig			0560 4400 51		US air receiver	
			125gallon		2055		1	Ball Valve	
2010	0663 9202 00	2	O-ring			0852 0010 36		No US air receiver	
2015	0147 1962 72	6	Bolt			0852 2000 04		US air receiver	
2020	0571 0035 53	2	Nipple		3010	0852 0010 34	1	Ball valve	
2025	0575 0125 47	1	Hose assembly		3040	1502 4202 00	4	Pad	
2030	0605 9500 10	1	Tee		3100		1	Hexagon nipple	
2035		1	Reducer			0603 4150 17		CSA/UL	
	0605 8700 84		ASME						
	0605 8820 05		CE						

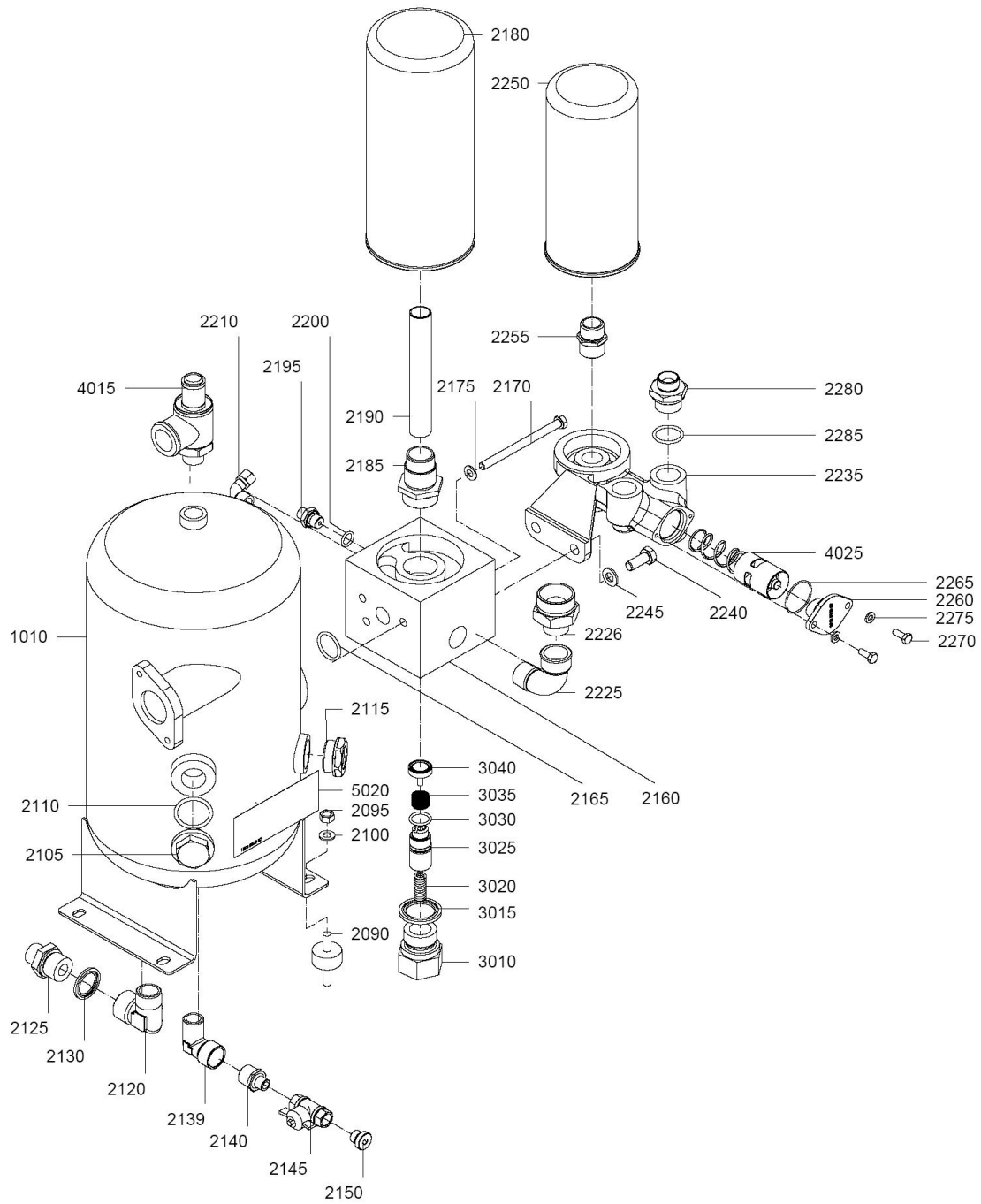
9



Oil system - Oil circuit

Ref.	Part number	Qty	Name	Remarks	Ref.	Part number	Qty	Name	Remarks
1010	1622 0942 00	1	Cooler		1030	0575 1205 12	1	Hose assembly	
	1622 0943 00		GA 15			0575 1205 13		GA 15	
	1622 0944 00		GA 18			0575 1205 13		GA 18	
			GA 22			0575 1205 13		GA 22	
1015	1622 4765 81	1	Plate		2088	1613 8967 12	1	Grounding of vessel	
	1622 4764 81		GA 15		2089	0226 0301 00	1	Tapping screw	
	1622 4774 81		GA 18		2135	0575 1216 64	1	Hose assembly	
			GA 22		2205	0575 1244 52	1	Hose assembly	
1020	0147 1963 08	4	Hexagon bolt		2290	0575 1216 64	1	Hose assembly	
1025	0575 1216 65	1	Hose assembly						

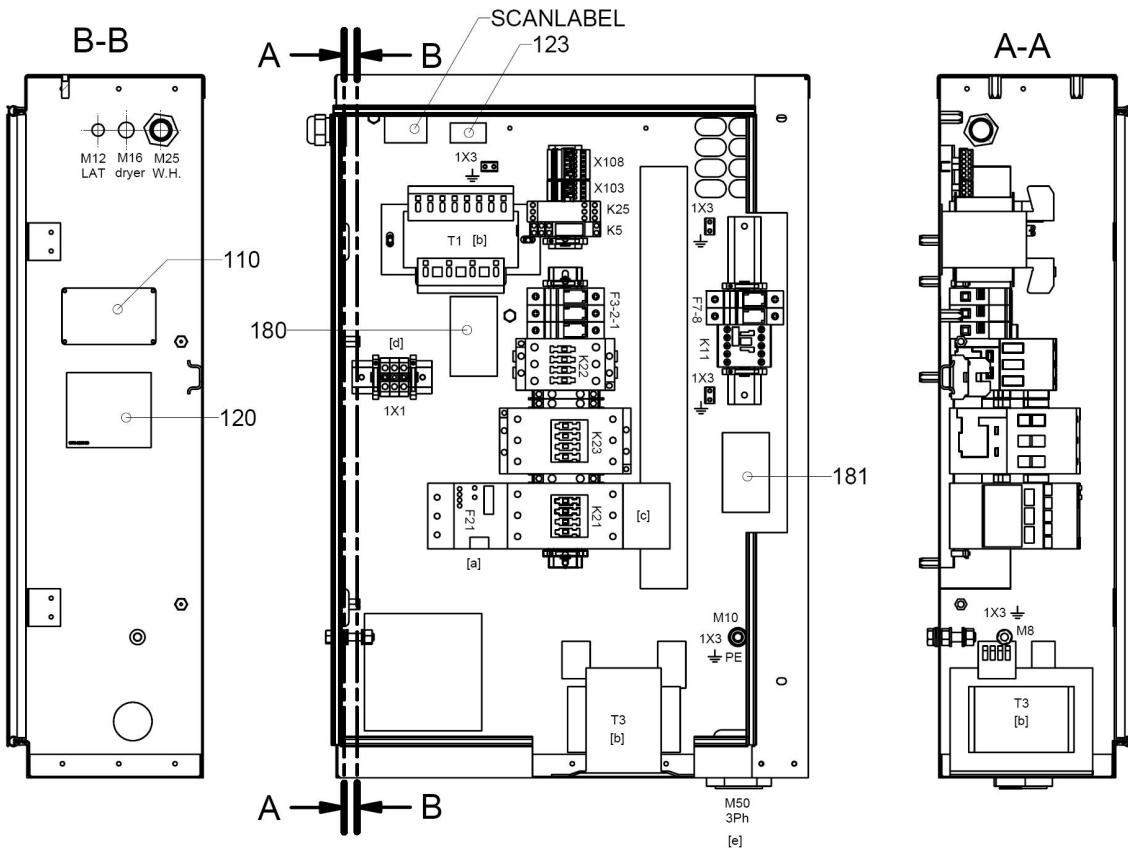
10



Oil system - Oil vessel connections

Ref.	Part number	Qty	Name	Remarks	Ref.	Part number	Qty	Name	Remarks
1010	1622 4702 50	1	Oil vessel		3010		1	Housing	
2090	2235 2544 00	4	Damper			1513 0539 00		7.5-8.5-10 bar(e)	
2095	0266 2110 00	4	Nut			1622 0257 00		13 bar(e)	
2100	0301 2335 00	4	Washer			1513 0539 00		100-125-150 psig	
2105	1202 8992 00	1	Plug			1622 0257 00		175 psig	
2110	0663 2102 15	1	O-Ring		3015	0661 1000 44	1	Seal washer	
2115	1513 0167 00	1	Sight glass		3020		1	Spring	
2120	0605 9500 09	1	Elbow			1513 0063 00		7.5-8.5-10 bar(e)	
2125	1079 5840 27	1	Nipple			1622 0259 00		13 bar(e)	
2130	0661 1000 43	1	Seal washer			1513 0063 00		100-125-150 psig	
2139	1503 2565 04	1	Elbow			1622 0259 00		175 psig	
2140	0603 4100 17	1	Hexagon nipple		3025	1513 0402 01		Piston	
2145	0852 0010 36	1	Ball valve		3030	0663 2105 40		O-Ring	
2150	0686 3718 24	1	Plug		3035	1513 0064 00		Spring	
2160	1622 4700 50	1	Instrument block		3040	1513 0401 01	1	Valve disc	
2165	0663 3128 00	1	O-ring		4015		1	Safety valve	
2170	0147 1342 03	3	Hexagon bolt			0832 1000 77		7.5 bar(e)	
2175	0301 2335 00	3	Washer			0832 1000 78		8.5 bar(e)	
2180	1622 0351 01	1	Oil separator			0832 1000 78		10 bar(e)	
2185	1622 0338 00	1	Coupling			0832 1000 79		13 bar(e)	
2190	1622 0337 00	1	Pipe			0830 1008 35		100 psig	
2195	1622 3551 06	1	Nipple			0830 1008 35		125 psig	
2200	0663 3119 00	1	O-Ring			0830 1008 38		150 psig	
2210	0581 1200 37	1	Elbow coupling			0830 1008 38		175 psig	
2225	0562 3106 03	1	Bend		4025		1	Thermostatic valve	
2226	0571 0035 28	1	Hexagon nipple			1622 7064 01		7.5 bar(e) 38°C	
2235	1613 6883 03	1	Valve housing			1622 7064 01		8.5 bar(e) 38°C	
2240	0147 1362 03	2	Hexagon bolt			1622 7064 01		10 bar(e) 38°C	
2245	0301 2344 00	2	Washer			1622 7064 02		13 bar(e) 65°C	
2250	1613 6105 01	1	Oil filter			1622 7064 01		100 psig 38°C	
2255	1619 3770 00	1	Nipple			1622 7064 01		125 psig 38°C	
2260	1614 6118 00	1	Flange			1622 7064 01		150 psig 38°C	
2265	0663 2101 95	1	O-ring			1622 7064 02		175 psig 65°C	
2270	0147 1246 03	2	Hexagon bolt		5020		1	Oil label	
2275	0301 2321 00	2	Washer			1079 9909 57		Label Rotoinject Fluid	
2280	1622 3551 16	4	Nipple			1079 9925 87		Label Roto-xtend Duty Fluid	
2285	0663 2113 37	4	O-Ring						

11

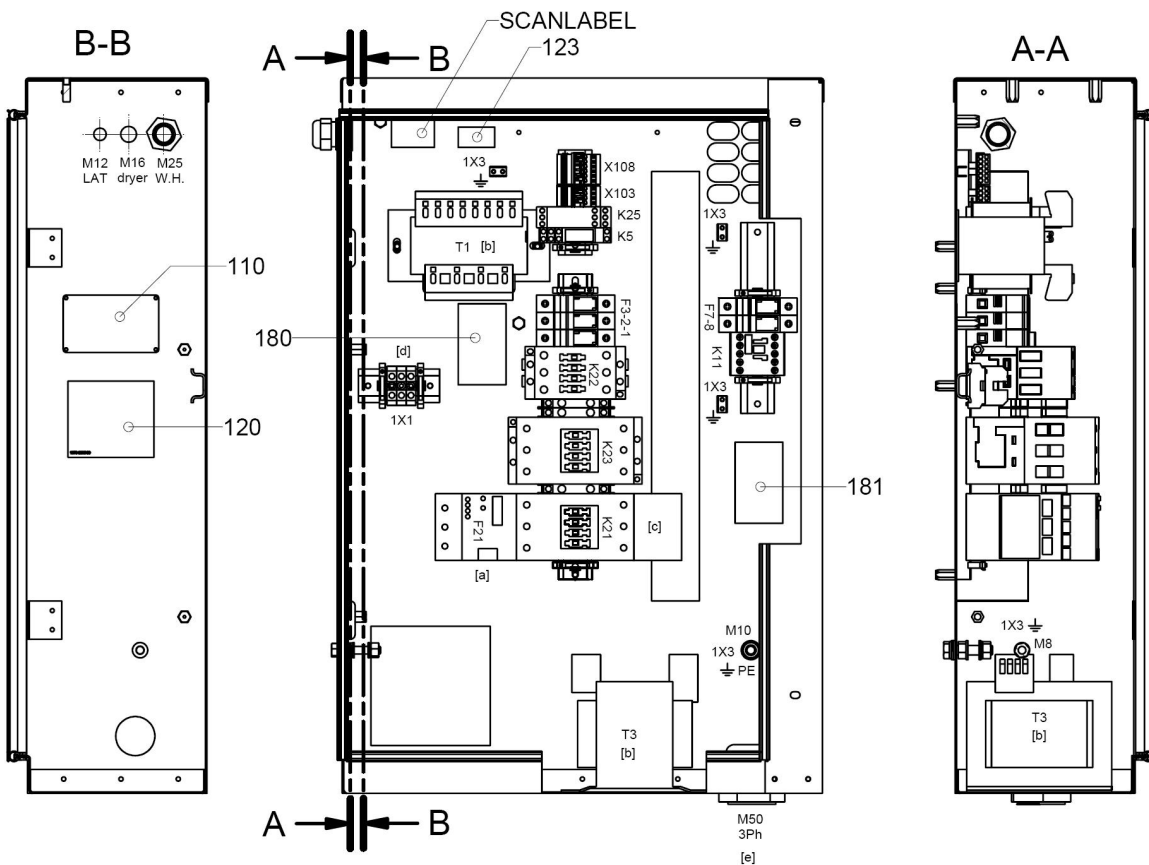


Start cubicle - IEC

Ref.	Part number	Qty	Name	Remarks	Ref.	Part number	Qty	Name	Remarks
		1	Cubicle		X108	1088 0037 06	• 1	Connector female	
	1900 2078 05		GA 15 200V/50Hz		X108	1088 0031 86	• 1	Connector male	
	1900 2078 04		GA 15 230V/50Hz		1X0		•	3ph Terminal block	
	1900 2078 03		GA 15 380V/60Hz			1089 9416 93	1	1900 2078 05	
	1900 2078 01		GA 15 400V/50Hz			1089 9416 93	1	1900 2078 04	
	1900 2078 03		GA 15 500V/50Hz			1089 9416 05	1	1900 2078 01	
	1900 2078 06		GA 18 200V/50Hz			1089 9416 05	1	1900 2078 03	
	1900 2078 05		GA 18 230V/50Hz			1622 1692 00	3	1900 2078 06	
	1900 2078 04		GA 18 380V/60Hz			1089 9362 04	1	1900 2078 06	
	1900 2078 01		GA 18 400V/50Hz			1089 9416 93	1	1900 2078 02	
	1900 2078 03		GA 18 500V/50Hz		F1-F2		• 2	Fuse	
	1900 2078 06		GA 22 200V/50Hz			1089 0612 24		1900 2078 05	
	1900 2078 06		GA 22 230V/50Hz			1089 0612 23		1900 2078 04	
	1900 2078 05		GA 22 380V/60Hz			1089 0612 23		1900 2078 01	
	1900 2078 02		GA 22 400V/50Hz			1089 0612 23		1900 2078 03	
	1900 2078 04		GA 22 500V/50Hz			1089 0612 24		1900 2078 06	
end	1089 0506 30	• 3	End bracket			1089 0612 23		1900 2078 02	
100	9820 3570 01	• 1	Label		F21		• 1	Overload Relay	
2X10	1088 0031 32	• 1	Connector female			1089 9424 40		1900 2078 05	
2X9	1088 0031 06	• 1	Connector female			1089 9424 39		1900 2078 04	
F1-F2	1089 0612 01	• 2	Fuse holder			1089 9424 31		1900 2078 01	
supply	0698 5140 76	• 1	Cable gland			1089 9424 30		1900 2078 03	
supply	0697 9809 25	• 1	Nut			1089 9424 46		1900 2078 06	
wh	0697 9809 22	• 1	Nut			1089 9424 39		1900 2078 02	
K21	1089 9415 55	• 1	Contact block		K21-K23		• 2	Contact	
K22	1089 9415 09	• 1	Contact block			1089 9415 35		1900 2078 05	
K23	1089 9415 56	• 1	Contact block			1089 9415 34		1900 2078 04	
K5	1089 9511 13	• 1	Clip			1089 9415 26		1900 2078 01	
K5	1089 9511 51	• 1	Relay			1089 9415 26		1900 2078 03	
K5	1089 9511 12	• 1	Socket			1089 9415 44		1900 2078 06	
MSA	1622 4754 80	• 1	Cubicle			1089 9415 34		1900 2078 02	
S3	1089 0362 50	• 2	Contact block		K22		• 1	Contact	
S3	1089 0362 51	• 1	Emergency Stop button			1089 9415 26		1900 2078 05	
WH	1622 4102 00	• 1	Wire harness			1089 9415 26		1900 2078 04	
X101	1088 0015 02	• 1	Connector male			1089 9415 24		1900 2078 01	
X101	1088 0015 36	• 2	Connector socket			1089 9415 24		1900 2078 03	
X102	1089 0700 01	• 1	Connector female			1089 9415 34		1900 2078 06	
X102	1089 0700 02	• 1	Connector male			1089 9415 26		1900 2078 02	
X102	1089 0700 03	• 8	Connector pin		set		• 3	Cable lug	
X102	1089 0700 04	• 8	Connector socket			0694 5281 34		1900 2078 06	
X103	1088 0037 04	• 1	Connector female		T1		• 1	Transformer	
X103	1088 0031 84	• 1	Connector male			1089 9436 44		1900 2078 05	
X103-X108						1089 9436 43		1900 2078 04	
	1088 0031 18	• 4	Adaptor			1089 9436 38		1900 2078 01	
X104	1088 0037 31	• 1	Connector female			1089 9436 43		1900 2078 03	
X105	1088 0037 30	• 1	Connector female			1089 9436 44		1900 2078 06	
X106	1088 0031 22	• 1	Connector female			1089 9436 38		1900 2078 02	
X106	1088 0031 82	• 1	Connector male						



12



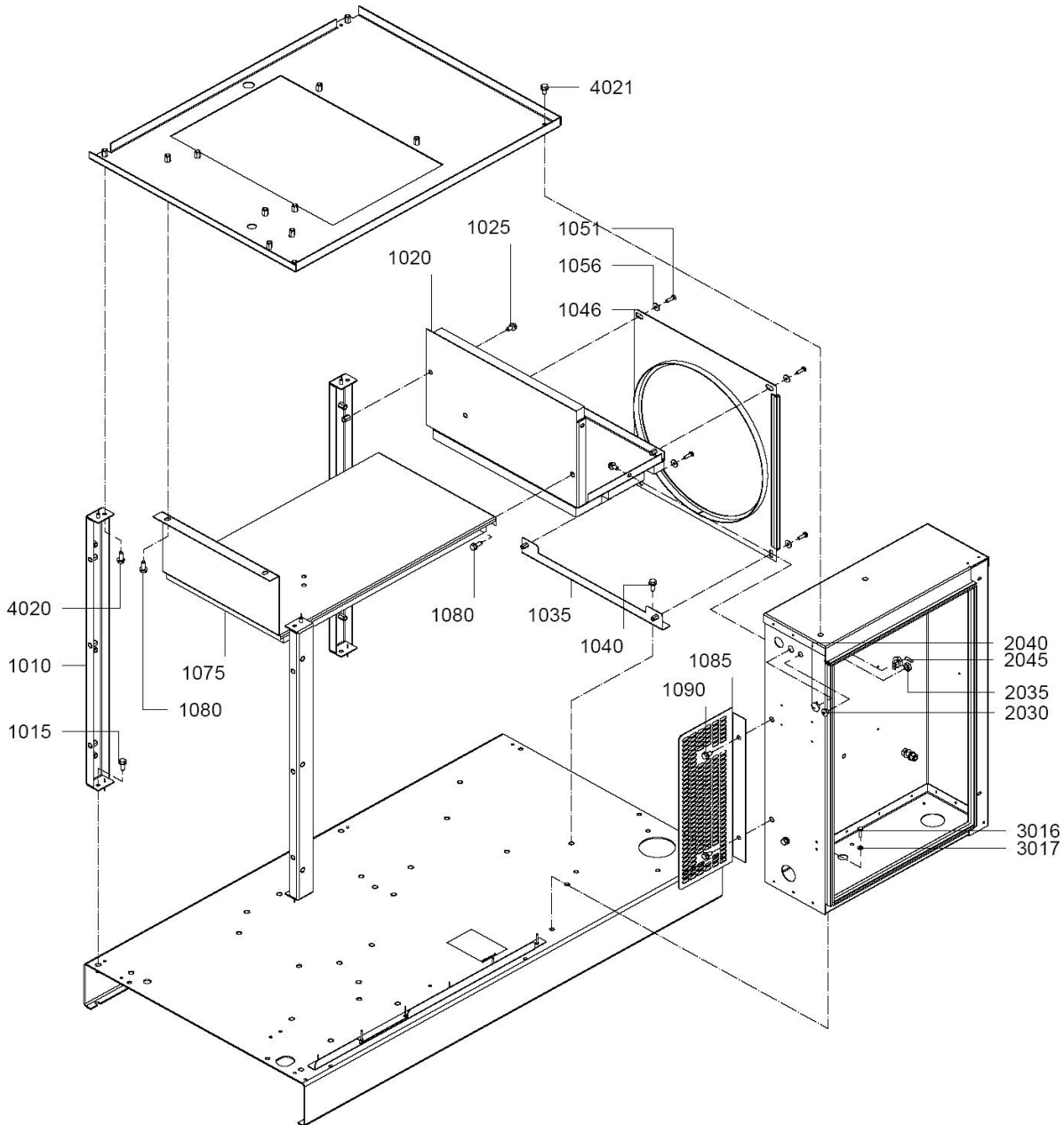
Start cubicle - CSA/UL

Ref.	Part number	Qty	Name	Remarks	Ref.	Part number	Qty	Name	Remarks
		1	Cubicle		180		• 1	Label	
	1900 2078 53		GA 15 440-460V/60Hz			1079 9924 27		1900 2078 53	
	1900 2078 53		GA 15 575V/60Hz			1079 9924 27		1900 2078 54	
	1900 2078 50		GA 15 TRI-V/60Hz		1X0		•	3ph Terminal block	
	1900 2078 54		GA 18 440-460V/60Hz			1089 9416 93	1	1900 2078 50	
	1900 2078 53		GA 18 575V/60Hz			1089 9416 05	1	1900 2078 53	
	1900 2078 51		GA 18 TRI-V/60Hz			1622 1692 00	3	1900 2078 51	
	1900 2078 54		GA 22 440-460V/60Hz			1089 9362 04	1	1900 2078 51	
	1900 2078 54		GA 22 575V/60Hz			1089 9416 93	1	1900 2078 54	
	1900 2078 52		GA 22 TRI-V/60Hz			1622 1692 00	3	1900 2078 52	
end	1089 0506 30	• 5	End bracket			1089 9362 04	1	1900 2078 52	
100	9820 3570 01	• 1	Label		F1-F2		• 2	Fuse link	
1X1	1089 0506 09	• 3	terminal			1089 9168 26		1900 2078 50	
2X10	1088 0031 32	• 1	Connector female			1089 9168 24		1900 2078 53	
2X9	1088 0031 06	• 1	Connector female			1089 9168 26		1900 2078 51	
F1-F2	1089 0612 01	• 2	Fuse holder			1089 9168 24		1900 2078 54	
supply	0698 5140 76	• 1	Cable gland			1089 9168 26		1900 2078 52	
supply	0697 9809 25	• 1	Nut		F21		• 1	Overload relay	
wh	0697 9809 22	• 1	Nut			1089 9446 61		1900 2078 50	
K21	1089 9415 55	• 1	Contact block			1089 9424 29		1900 2078 53	
K22	1089 9415 09	• 1	Contact block			1089 9446 65		1900 2078 51	
K23	1089 9415 56	• 1	Contact block			1089 9424 38		1900 2078 54	
K5	1089 9511 13	• 1	Clip			1089 9446 66		1900 2078 52	
K5	1089 9511 51	• 1	Relay		K21-K23		• 2	Contactors	
K5	1089 9511 12	• 1	Socket			1089 9415 36		1900 2078 50	
MSA	1622 4754 80	• 1	Cubicle			1089 9415 26		1900 2078 53	
S3	1089 0362 50	• 2	Contact block			1089 9415 44		1900 2078 51	
S3	1089 0362 51	• 1	Emergency Stop button			1089 9415 34		1900 2078 54	
WH	1622 4102 00	• 1	Wire harness			1089 9415 45		1900 2078 52	
X101	1088 0015 02	• 1	Connector male		K22		• 1	Contactors	
X101	1088 0015 36	• 2	Connector socket			1089 9415 26		1900 2078 50	
X102	1089 0700 01	• 1	Connector female			1089 9415 24		1900 2078 53	
X102	1089 0700 02	• 1	Connector male			1089 9415 34		1900 2078 51	
X102	1089 0700 03	• 8	Connector pin			1089 9415 26		1900 2078 54	
X102	1089 0700 04	• 8	Connector socket			1089 9415 36		1900 2078 52	
X103	1088 0037 04	• 1	Connector female		set		• 3	Cable lug	
X103	1088 0031 84	• 1	Connector male			0694 5281 34		1900 2078 51	
X103-X108						0694 5281 34		1900 2078 52	
	1088 0031 18	• 4	Adaptor		T1		• 1	Transformer	
X104	1088 0037 31	• 1	Connector female			1089 9436 44		1900 2078 50	
X105	1088 0037 30	• 1	Connector female			1089 9436 43		1900 2078 53	
X106	1088 0031 22	• 1	Connector female			1089 9436 44		1900 2078 51	
X106	1088 0031 82	• 1	Connector male			1089 9436 43		1900 2078 54	
X108	1088 0037 06	• 1	Connector female			1089 9436 44		1900 2078 52	
X108	1088 0031 86	• 1	Connector male						



13

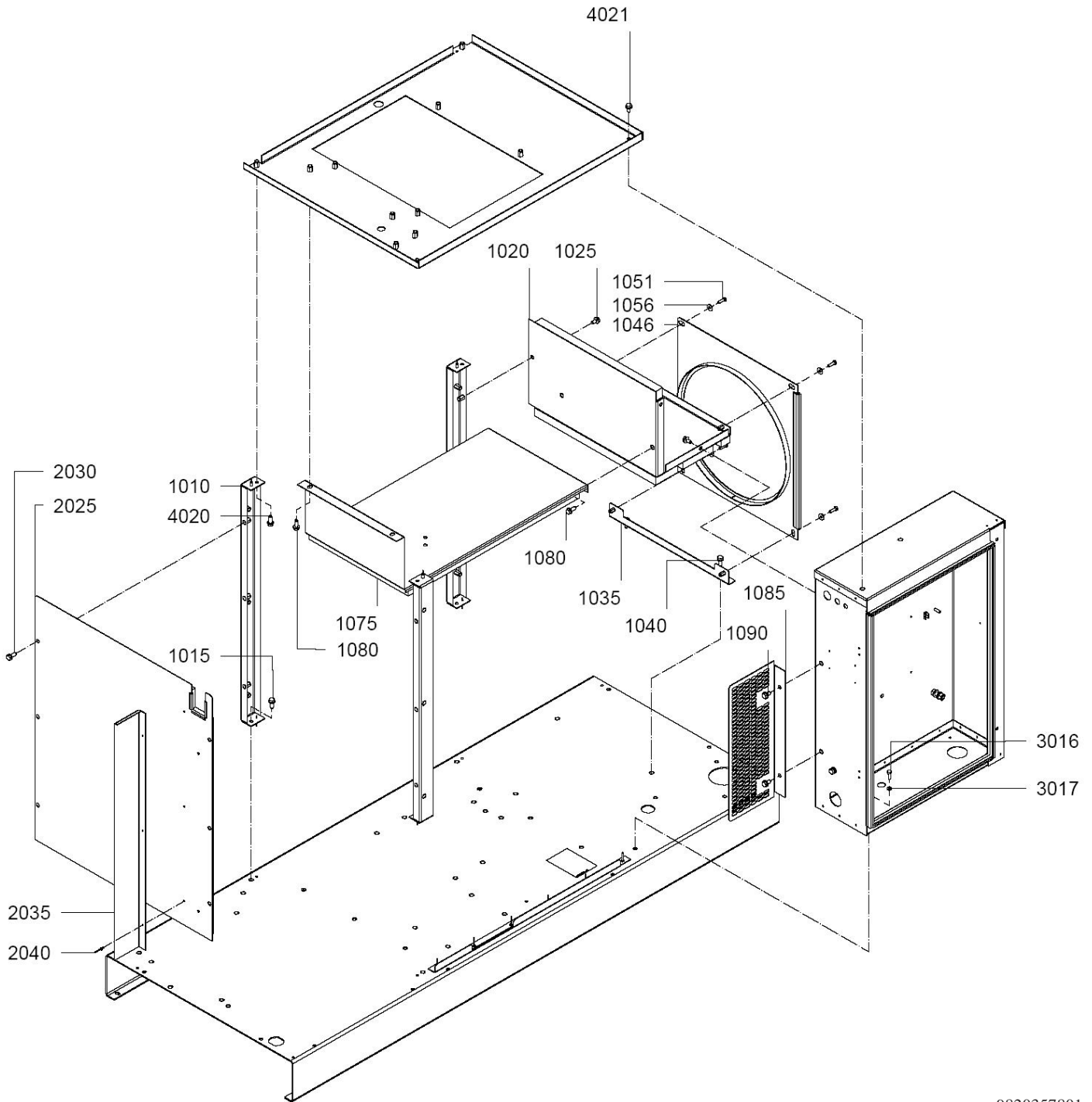
Bodywork - Baffles - Pack



9820361101

Ref.	Part number	Qty	Name	Remarks	Ref.	Part number	Qty	Name	Remarks
1010	1622 4711 82	3	Beam		1085	1622 4714 10	1	Hand protection	
1015	0147 1963 08	3	Hexagon bolt		1090	1079 1472 05	2	Hexagon bolt	
1020	1622 4768 80	1	Baffle		2030	0697 9810 32	1	Plug	
1025	1079 1472 05	3	Hexagon bolt		2035	0697 9809 30	1	Lock nut	
1035	1622 4769 80	1	Support		2040	0697 9810 25	1	Plug	
1040	0147 1963 08	2	Hexagon bolt		2045	0697 9809 20	1	Lock nut	
1046	1622 4757 80	1	Baffle		3016	0147 1247 03	4	Hexagon bolt	
1051	0147 1247 03	4	Hexagon bolt		3017	0301 2321 00	4	Washer	
1056	0300 0276 20	4	Plain washer		4020	0147 1963 08	3	Hexagon bolt	
1075	1622 4778 80	1	Baffle		4021	1079 1472 05	1	Hexagon bolt	
1080	0147 1963 08	4	Hexagon bolt						

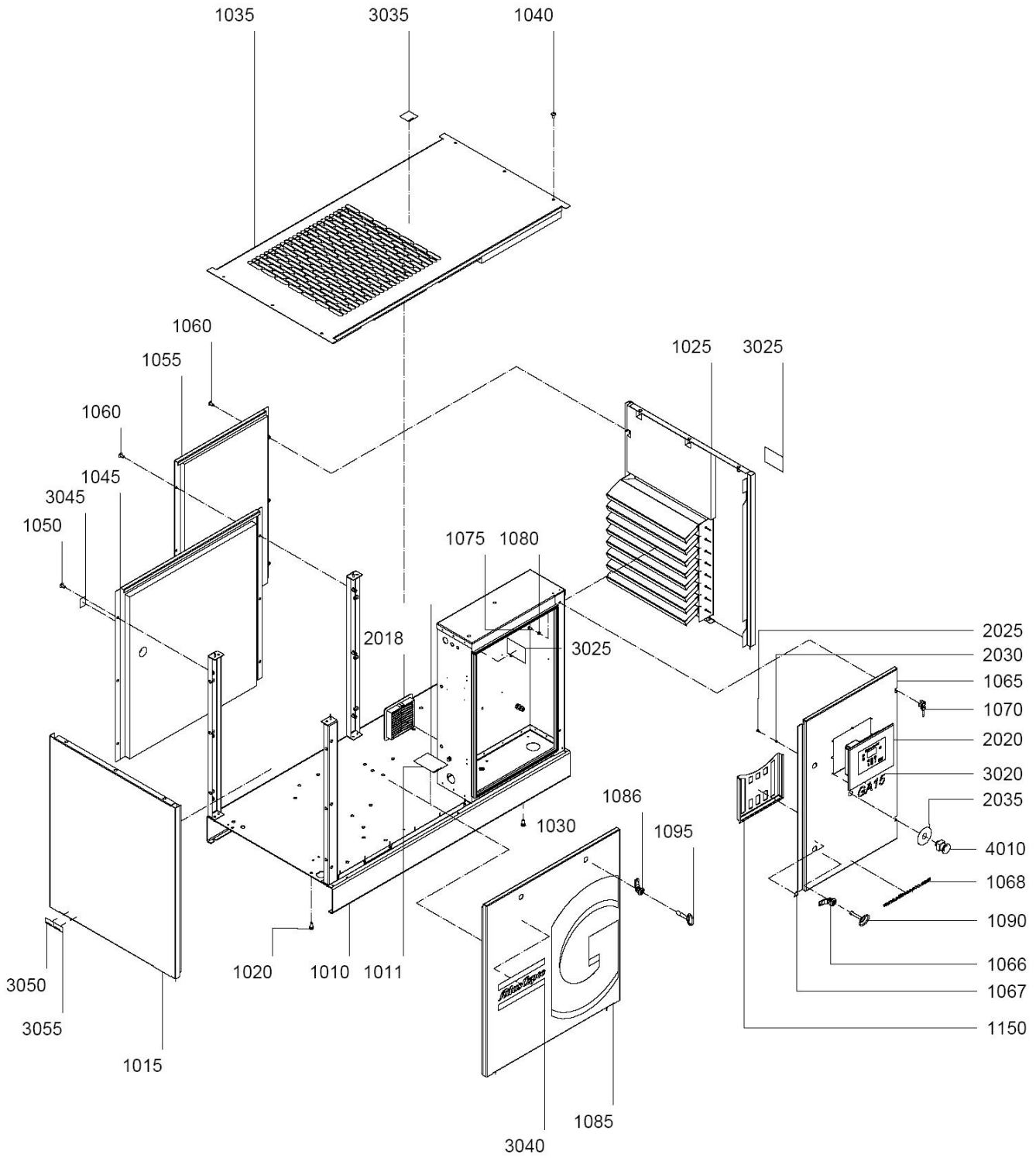
Bodywork - Baffles - Full Feature



9820357801

Ref.	Part number	Qty	Name	Remarks	Ref.	Part number	Qty	Name	Remarks
1010	1622 4711 82	3	Beam		1090	1079 1472 05	2	Hexagon bolt	
1015	0147 1963 08	3	Hexagon bolt		2025	1622 4723 81	1	Plate	
1020	1622 4768 80	1	Baffle		2030	0147 1963 08	6	Hexagon bolt	
1025	1079 1472 05	3	Hexagon bolt		2035		1	Plate	
1035	1622 4769 80	1	Support			1622 4777 00		A6X	
1040	0147 1963 08	2	Hexagon bolt			1622 4777 10		A7X	
1046	1622 4757 80	1	Baffle		2040	0129 3270 33	3	Blind rivet	
1051	0147 1247 03	4	Hexagon bolt		3016	0147 1247 03	4	Hexagon bolt	
1056	0300 0276 20	4	Plain Washer		3017	0301 2321 00	4	Washer	
1075	1622 4778 80	1	Baffle		4020	0147 1963 08	3	Hexagon bolt	
1080	0147 1963 08	4	Hexagon bolt		4021	1079 1472 05	1	Hexagon bolt	
1085	1622 4714 10	1	Hand protection						

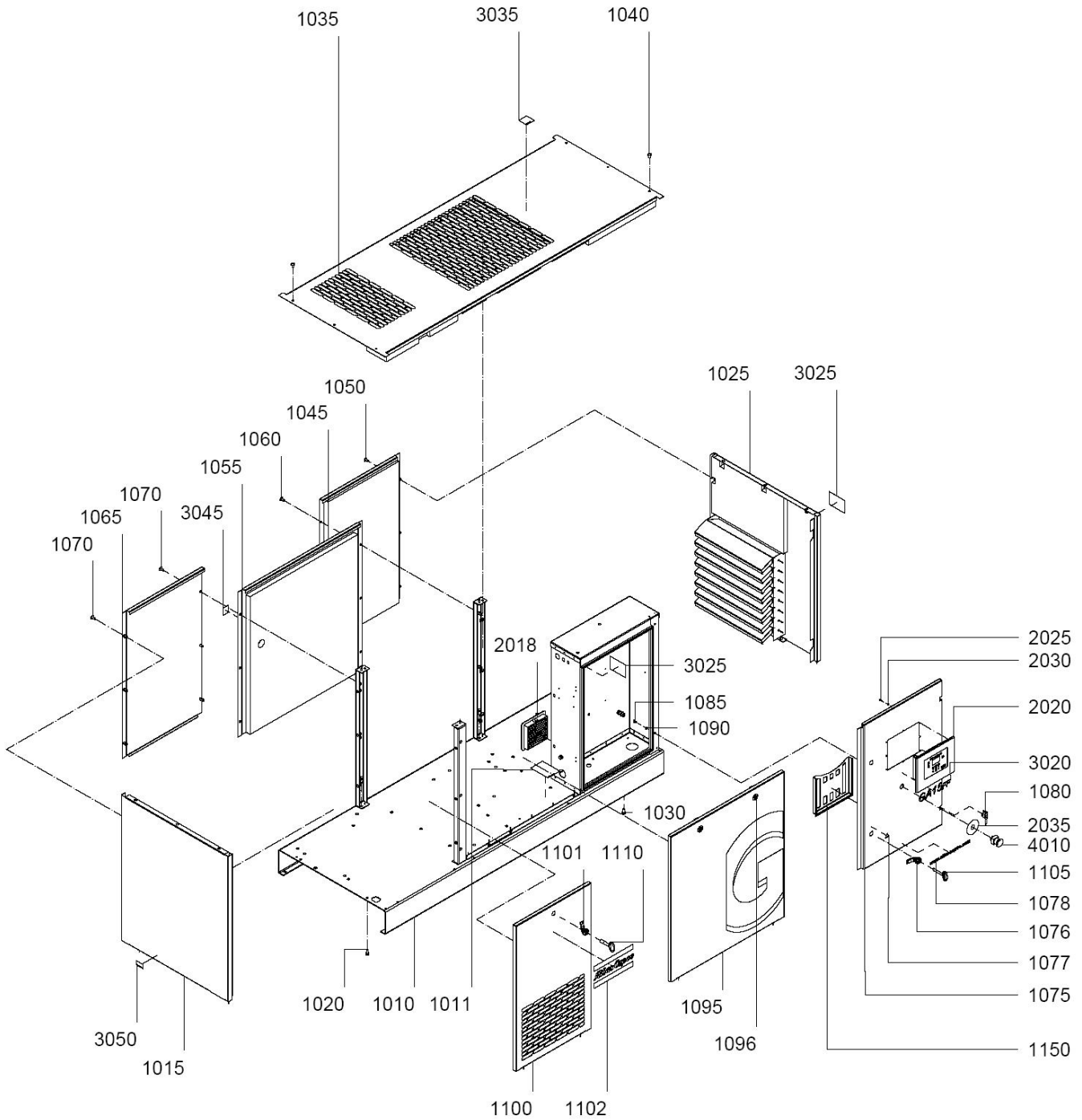
15



Bodywork - Pack

Ref.	Part number	Qty	Name	Remarks	Ref.	Part number	Qty	Name	Remarks
1010	1622 4730 80	1	Frame		1090	1089 9154 02	1	Key	
1011	1079 9903 48 •	1	Label		1095	1089 9068 01	1	Key	
1015	1622 4727 80	1	Left panel		1150	1622 3880 80	1	Document holder	
1020	0147 1964 29	2	Hexagon Bolt		2018	1089 9556 05	1	Air inlet filter	
1025	1622 4795 80	1	Right panel			1089 9556 23 •	1	Filter	
1030	0147 1964 29	2	Hexagon Bolt		2020	1900 0712 71	1	Regulator Elektronikon I+	
1035	1622 4794 80	1	Roof		2025	0147 1169 03	6	Hexagon bolt	
1040	0215 0006 14	6	Hex sock screw		2030	0301 2315 00	6	Washer	
1045	1622 4747 80	1	Back panel		2035	1089 9125 05	1	Round disk	
1050	0215 0006 14	3	Hex sock screw		3020		1	Decal	
1055	1622 4746 80	1	Back panel			1622 4631 39		GA15	
1060	0215 0006 14	6	Hex sock screw			1622 4631 41		GA18	
1065	1622 4771 80	1	Cubicle door			1622 4631 43		GA22	
1066	1619 7705 00 •	2	Lock		3025	1622 1900 00	2	Data label	
1067	1088 1001 01 •	1	Warning mark		3035	1079 9902 55	1	Label	
1068	1079 9920 83 •	1	Decal		3040	0690 1125 01	1	House mark	
1070	1202 6400 00	2	Hinge		3045	1622 6116 00	1	Warning suction	
1075	0147 1244 03	2	Hexagon bolt		3050	1079 9915 89	1	Label	
1080	0301 2321 00	2	Washer		3055	1079 9915 98	1	Label	
1085	1622 4742 80	1	Front panel		4010	1089 0362 51	1	Push button	
1086	1513 0431 00 •	2	Door lock						

16



Bodywork - Full Feature

Ref.	Part number	Qty	Name	Remarks	Ref.	Part number	Qty	Name	Remarks
1010	1622 4731 80	1	Frame		1100	1	Front Panel		
1011	1079 9903 48	• 1	Label			1622 4743 80		Full Feature	
1015	1622 4727 81	1	Left panel			1622 4743 81		Full Feature + Filter option	
1020	0147 1964 29	2	Hexagon bolt		1101	1513 0431 00	• 1	Door lock	
1025	1622 4795 80	1	Right panel		1102	0690 1125 01	• 1	House mark	
1030	0147 1964 29	2	Hexagon bolt		1105	1089 9154 02	1	Key	
1035	1622 4792 80	1	Roof		1110	1089 9068 01	1	Key	
1040	0215 0006 14	6	Hex sock screw		1150	1622 3880 80	1	Document holder	
1045	1622 4746 80	1	Back panel		2018	1089 9556 05	1	Air inlet filter	
1050	0215 0006 14	3	Hex sock screw			1089 9556 23	• 1	Filter	
1055	1622 4747 80	1	Back panel		2020	1900 0712 71	1	Regulator Elektronikon I+	
1060	0215 0006 14	3	Hex sock screw		2025	0147 1169 03	6	Hexagon bolt	
1065	1622 4748 80	1	Back panel		2030	0301 2315 00	6	Washer	
1070	0215 0006 14	6	Hex sock screw		2035	1089 9125 05	1	Round disk	
1075	1622 4771 80	1	Cubicle door		3020		1	Decal	
1076	1619 7705 00	• 2	Lock			1622 4631 40		GA15FF	
1077	1088 1001 01	• 1	Warning mark			1622 4631 42		GA18FF	
1078	1079 9920 83	• 1	Decal			1622 4631 44		GA22FF	
1080	1202 6400 00	2	Hinge		3025	1622 1900 00	2	Data Label	
1085	0147 1244 03	2	Hexagon bolt		3035	1079 9902 55	1	Label	
1090	0301 2321 00	2	Washer		3045	1622 6116 00	1	Warning suction	
1095	1622 4742 80	1	Front panel		3050	1079 9915 89	1	Label	
1096	1513 0431 00	• 2	Door lock		4010	1089 0362 51	1	Push button	

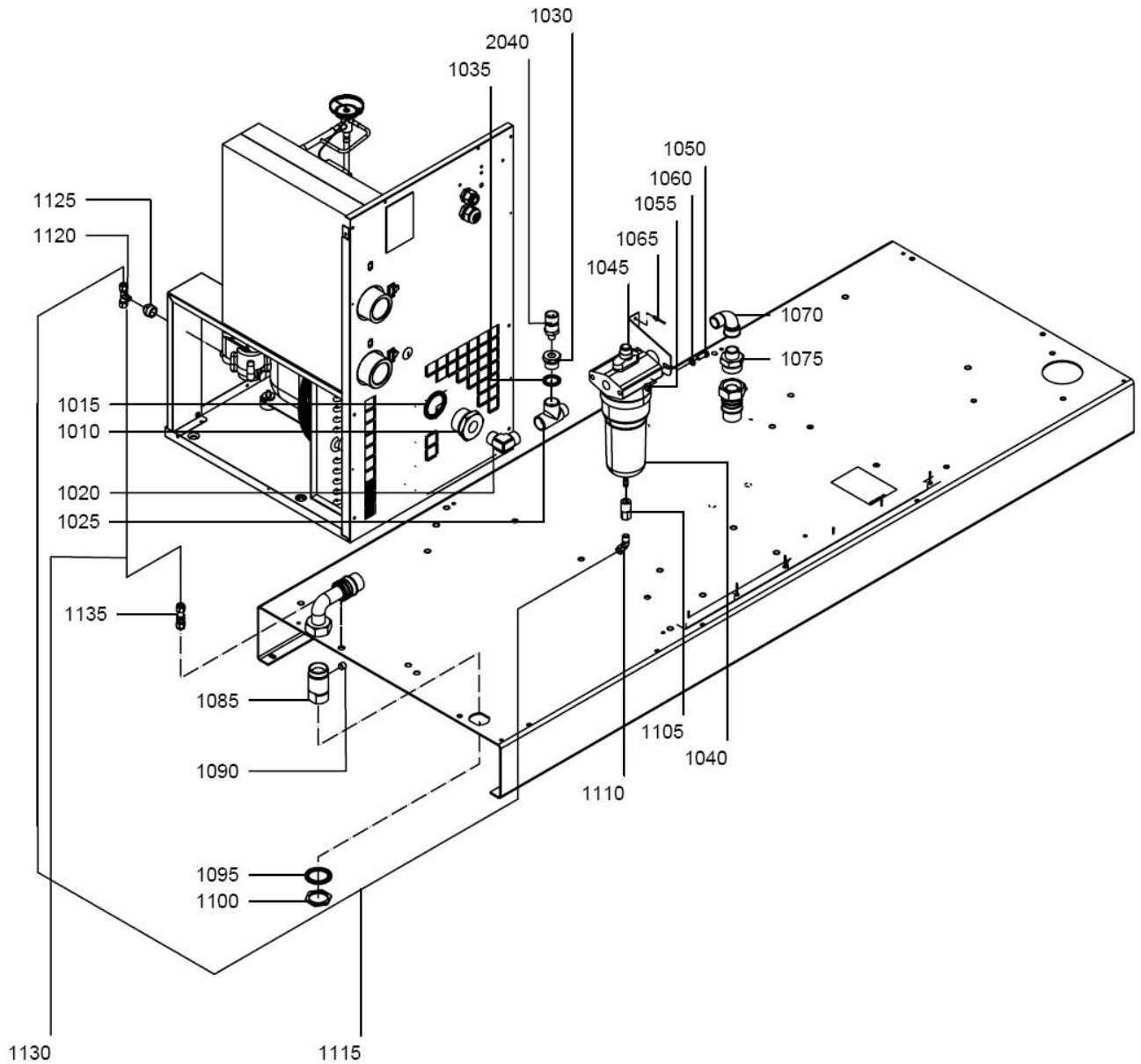
17

Standard option - Dryer equipment

Ref.	Part number	Qty	Name	Remarks	Ref.	Part number	Qty	Name	Remarks
	1900 2320 21		Phase sequence relay			1900 2601 93		Prepared connector	
			160-690V IEC-CSA/UL					200-230V	
F3	1089 0612 01	• 1	Fuse holder		X114	1088 0015 26	• 1	Connector female	
F3	1089 9168 36	• 1	Fuse link		X114	1088 0015 16	• 4	Connector pin	
K25	1089 9461 07	• 1	Phase seq. relay			1900 2601 94		Prepared connector	
L3	0694 5285 25	• 1	Cable lug					400V+N	
X101	1088 0015 22	• 1	Connector female		X114	1088 0015 26	• 1	Connector female	
X101	1088 0015 16	• 2	Connector pin		X114	1088 0015 16	• 4	Connector pin	
X106	1088 0031 22	• 1	Connector female			1900 2602 25		Trafo with prepared	
	1900 2601 04		Dryer rail IEC					connector all other voltages	
-	1089 0506 30	• 2	End bracket		T3	1089 9437 52	• 1	Autotransformer	
100	9820 3547 81	• 1	Assembly drawing		X114	1088 0015 26	• 1	Connector female	
1X0	1089 0506 03	• 1	Terminal		X114	1088 0015 16	• 5	Connector pin	
1X2	1089 0506 60	• 1	Terminal						
2dm	9139 5000 16	• 1	Mounting rail						
F7-F8	1089 0612 28	• 2	Fuse						
F7-F8	1089 0612 01	• 2	Fuse holder						
K11	0000 2964 92	• 2	Cable lug						
K11	0694 5285 12	• 2	Isolator cap						
K11	1089 9415 14	• 1	Contactora						
L1-L2	0694 5285 25	• 2	Cable lug						
K11	0694 5900 10	• 2	Fork faston male						
X104	1088 0037 63	• 1	Connector combi						
X114	1088 0015 05	• 1	Connector male						
X114	1088 0015 36	• 4	Connector socket						
	1900 2601 51		Dryer rail CSA/UL						
-	1089 0506 30	• 2	End bracket						
100	9820 3547 81	• 1	Assembly drawing						
181	1079 9924 71	• 1	Label						
1X2	1089 0506 06	• 1	Terminal						
2dm	9139 5000 16	• 1	Mounting rail						
F7-F8	1089 0612 01	• 2	Fuse holder						
F7-F8	1089 9168 62	• 2	Fuse link						
K11	0000 2964 92	• 2	Cable lug						
K11	0694 5285 12	• 2	Isolator cap female						
K11	1089 9415 16	• 1	Contactora						
L1-L2	0694 5285 25	• 2	Cable lug						
K11	0694 5900 10	• 2	Fork Faston male						
X104	1088 0037 63	• 1	Connector combi						
X114	1088 0015 05	• 1	Connector male						
X114	1088 0015 36	• 4	Connector socket						



standard option - DD filter

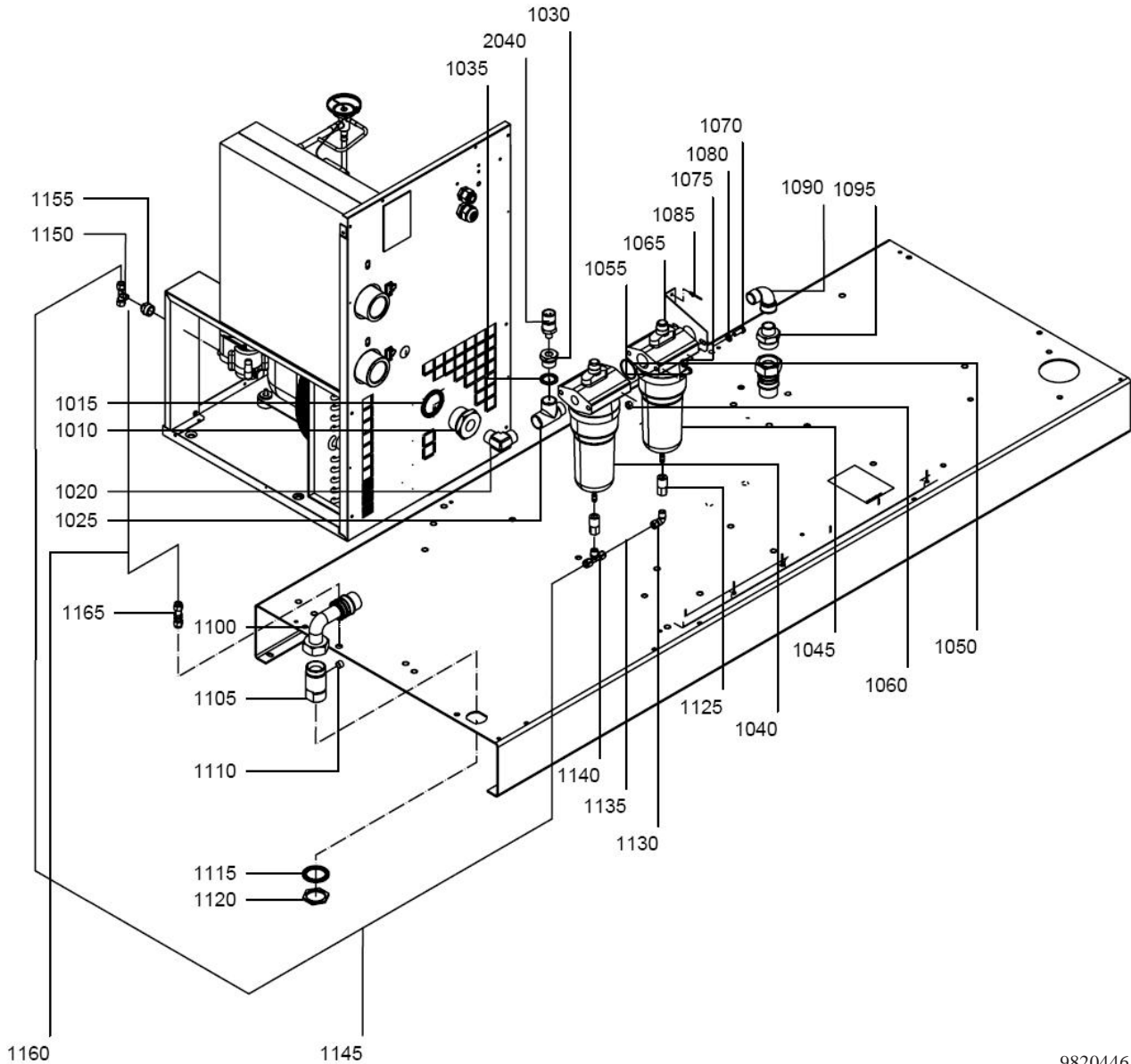


9820446150

Ref.	Part number	Qty	Name	Remarks	Ref.	Part number	Qty	Name	Remarks
1010	0605 8700 27	1	Bushing		1070	0562 3106 03	1	Bend	
	0605 8700 15		A6X		1075	0571 0035 28	1	Hexagon nipple	
			A7X		1080	0575 0125 49	1	Hose sssembly	
1015	0661 1000 44	1	Seal washer		1085	1622 4739 50	1	Nipple	
	0661 1000 46		A6X		1090	0686 6128 00	1	Plug	
			A7X		1095	0661 1000 45	1	Washer	
1020	0560 0200 85	1	Elbow		1100	0697 9809 06	1	Lock nut	
1025	0560 4401 34	1	Tee		1105	1617 7082 02	1	Quick coupling	
1030	0605 8820 05	1	Bushing		1110	0581 1200 23	1	Elbow coupling	
1035	0661 1000 43	1	Seal washer		1115	0070 6002 05	AR	Plastic tube	
1040	1624 1090 04	1	DDX 55		1120	0581 2000 30	1	Coupling	
1045	1622 6120 00	1	Support Filter option		1125	0607 1151 06	1	Reducing socket	
1050	0215 0003 73	2	Hex.socket screw		1130	0070 6002 05	AR	Plastic tube	
1055	0266 2110 00	2	Nut		1135	0581 0000 55	1	Pipe coupling	
1060	0301 2335 00	2	Washer		2040	1089 0575 54	1	Press.transducer	
1065	0129 3270 33	2	Blind rivet						

19

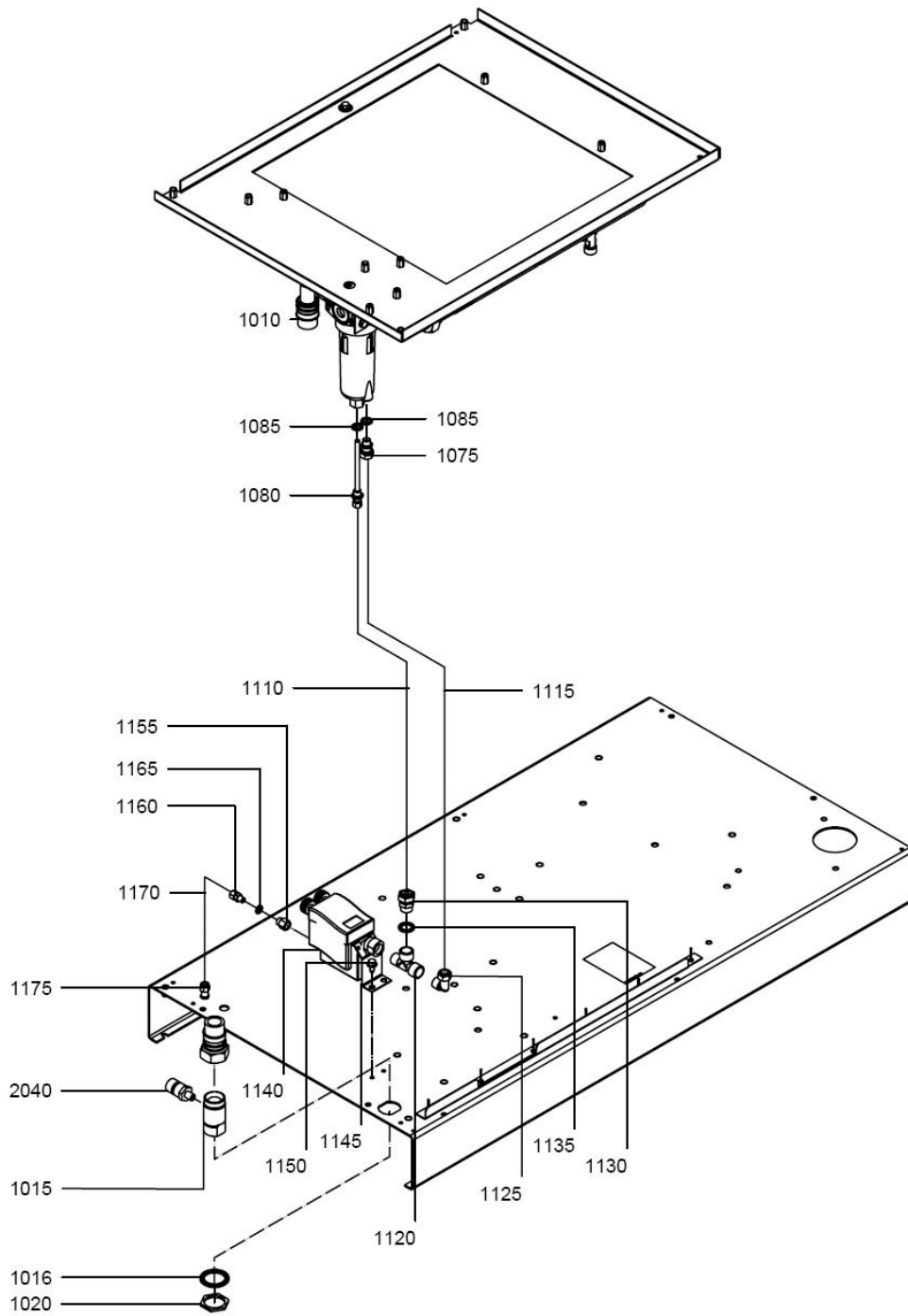
Standard option - DD/PD filters



9820446140

Ref.	Part number	Qty	Name	Remarks	Ref.	Part number	Qty	Name	Remarks
1010	0605 8700 27	1	Bushing		1085	0129 3270 33	2	Blind rivet	
	0605 8700 15		A6X		1090	0562 3106 03	1	Bend	
			A7X		1095	0571 0035 28	1	Hexagon nipple	
1015	0661 1000 44	1	Seal washer		1100	0575 0125 50	1	Hose assembly	
	0661 1000 46		A6X		1105	1622 4739 50	1	Nipple	
			A7X		1110	0686 6128 00	1	Plug	
1020	0560 0200 85	1	Elbow		1115	0661 1000 45	1	Washer	
1025	0560 4401 34	1	Tee		1120	0697 9809 06	1	Lock nut	
1030	0605 8820 05	1	Bushing		1125	1617 7082 02	2	Quick coupling	
1035	0661 1000 43	1	Seal washer		1130	0581 1200 23	1	Elbow coupling	
1040	1624 1090 04	1	DDX 55		1135	0070 6002 05	AR	Plastic tube	
1045	1624 1090 03	1	PDX 55		1140	0581 2000 28	1	Tee coupling	
1050	0663 2101 97	1	O-ring		1145	0070 6002 05	AR	Plastic tube	
1055	0215 0003 73	2	Hex.socket screw		1150	0581 2000 30	1	Coupling	
1060	0266 2110 00	2	Nut		1155	0607 1151 06	1	Reducing socket	
1065	1622 6120 00	1	Support Filter option		1160	0070 6002 05	AR	Plastic tube	
1070	0215 0003 73	2	Hex.socket screw		1165	0581 0000 55	1	Pipe coupling	
1075	0266 2110 00	2	Nut		2040	1089 0575 54	1	Press.transducer	
1080	0301 2335 00	2	Washer						

Standard option - EWD - Pack



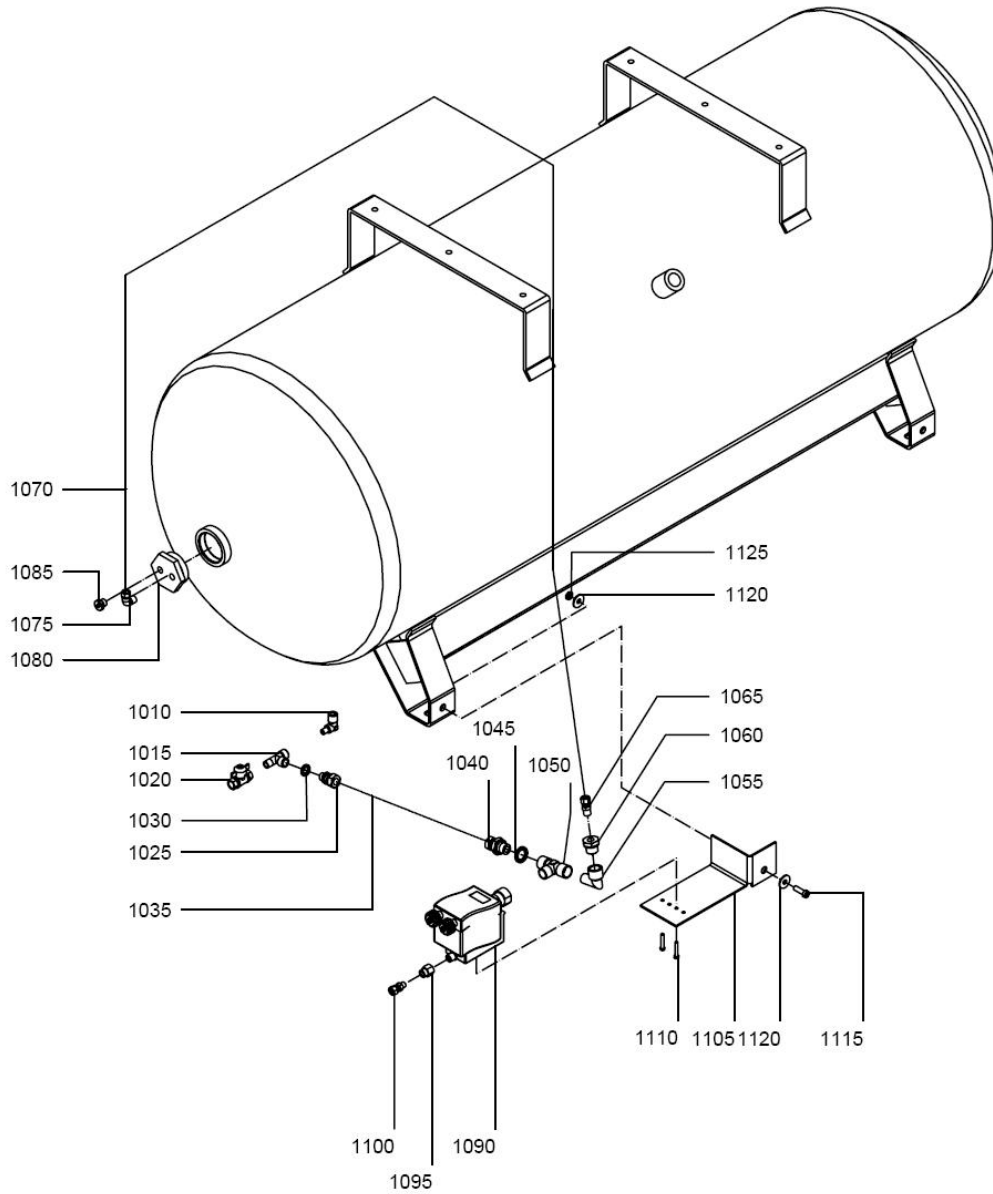
9820446170

Ref.	Part number	Qty	Name	Remarks	Ref.	Part number	Qty	Name	Remarks
1010	0574 9911 41	1	Hose assembly		1130	0581 0000 73	1	Pipe Coupling	
1015	1622 4739 50	1	Outlet		1135	0661 1000 39	1	Seal Washer	
1016	0661 1000 45	1	Seal washer		1140	1613 8913 02	1	EWD 50 110V/50-60Hz	
1020	0697 9809 06	1	Lock nut		1145	1622 0833 00	1	Support	
1075	0581 0000 45	1	Coupling		1150	0226 0301 00	2	Tapping screw	
1080	1613 8084 00	1	Pipe coupling		1155	0607 1151 05	1	Reducing socket	
1085	0661 1000 38	2	Seal washer		1160	0581 0000 38	1	Pipe coupling	
1110	0070 6002 05	AR	Plastic tube		1165	0661 1000 42	1	Seal washer	
1115	0070 6002 06	AR	Plastic Tube		1170	0070 6002 05	AR	Plastic tube	
1120	1503 2566 13	1	Tee		1175	0581 0000 55	1	Pipe coupling	
1125	0581 1200 29	1	Elbow		2040	1089 0575 54	1	Press.transducer	



21

Standard option - EWD - Air receiver

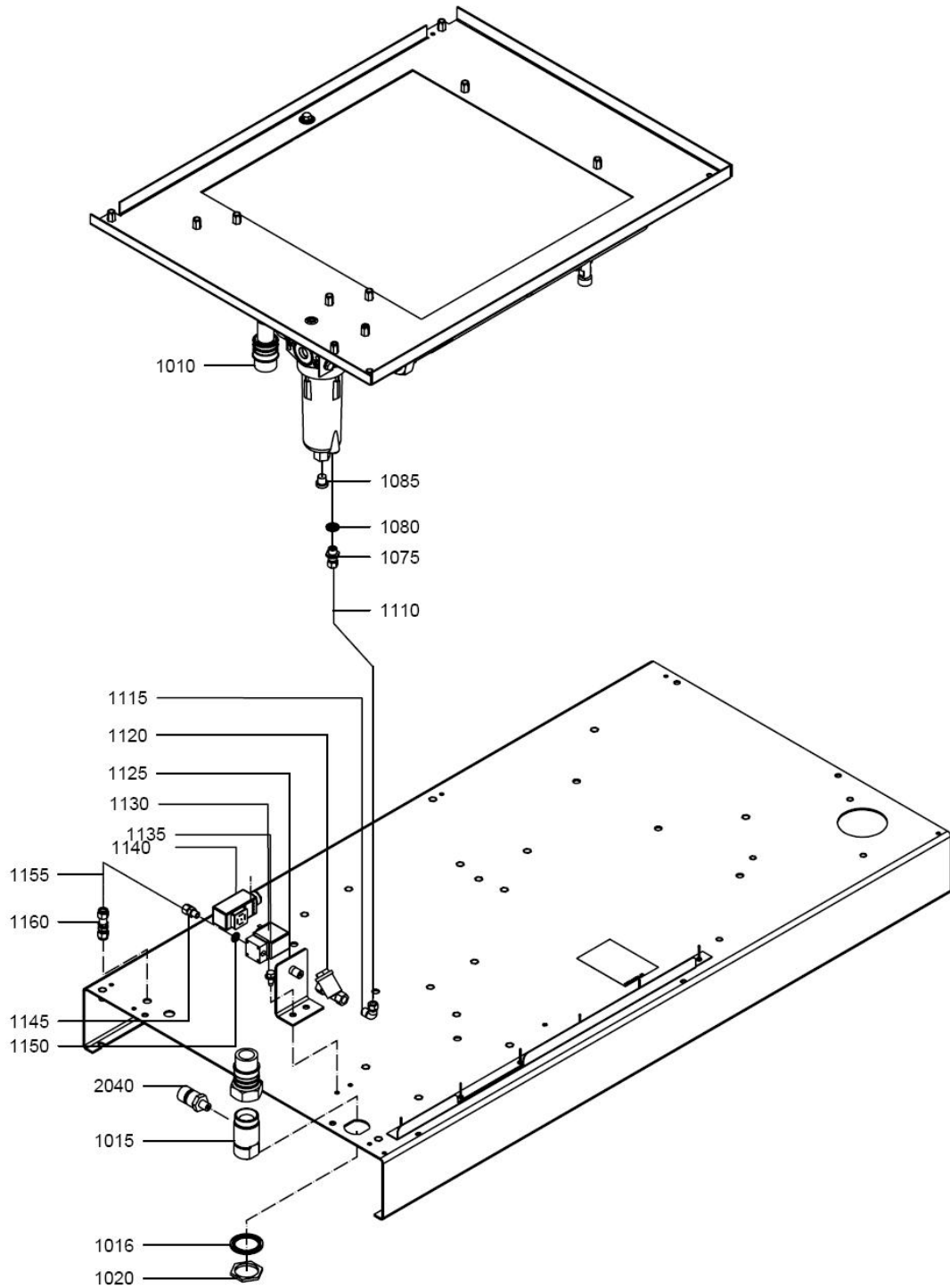


9820446160

Ref.	Part number	Qty	Name	Remarks	Ref.	Part number	Qty	Name	Remarks
1010	1503 2565 41	1	No US air receiver		1080	1622 1231 00	1	Plug	
	0560 4400 51		US air receiver		1085	0686 3718 24	1	Plug	
1015	1503 2566 11	1	Tee		1090	1613 8913 02	1	EWD 50 110V/50-60Hz	
1020		1	Ball valve		1095	0607 1151 05	1	Socket	
	0852 0010 36		No US air receiver		1100	0581 0000 59	1	Coupling	
	0085 2000 04		US air receiver		1105			Support	
1025	0581 0000 45	1	Pipe coupling			1622 1232 00	1	No US air receiver	
1030	0661 1000 38	1	Seal washer			1622 1232 01	1	US air receiver	
1035	0070 6002 06	AR	Plastic tube		1110	0160 6066 00	2	Bolt	
1040	0581 0000 53	1	Pipe coupling		1115			Screw	
1045	0661 1000 39	1	Seal washer			0160 6110 00	1	No US air receiver	
1050	1503 2566 23	1	Tee			0160 6110 00	2	US air receiver	
1055	1503 2565 04	1	Elbow		1120			Washer	
1060	0605 8700 90	1	Bushing			0300 8019 00	2	No US air receiver	
1065	0581 0000 78	1	Pipe coupling			0300 8019 00	4	US air receiver	
1070	0070 6002 05	AR	Plastic tube		1125			Nut	
1075	0581 1200 23	1	Pipe coupling			0261 2110 00	1	No US air receiver	
						0261 2110 00	2	US air receiver	

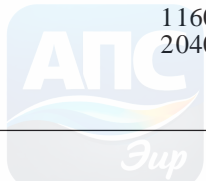


Standard option - Timer Drain - Pack



9820446130

Ref.	Part number	Qty	Name	Remarks	Ref.	Part number	Qty	Name	Remarks
1010	0574 9911 41	1	Hose assembly		1125	1622 6119 00	1	Support	
1015	1622 4739 50	1	Outlet		1130	0226 0301 00	2	Tapping screw	
1016	0661 1000 45	1	Seal washer		1135	1089 0640 21	1	Solenoid 110V/50-60Hz	
1020	0697 9809 06	1	Lock nut		1140	1089 9259 20	1	Timer	
1075	0581 0000 35	1	Coupling		1145	0581 0000 38	1	Coupling	
1080	0661 1000 38	1	Seal washer		1150	0661 1000 42	1	Seal washer	
1085	0686 3718 15	1	Plug		1155	0070 6002 05	AR	Plastic tube	
1110	0070 6002 05	AR	Plastic tube		1160	0581 0000 55	1	Pipe coupling	
1115	0581 1200 23	1	Pipe coupling		2040	1089 0575 54	1	Press.transducer	
1120	2235 2607 01	1	Filter						



23

Service kits

Ref.	Part number	Qty	Name	Remarks	Ref.	Part number	Qty	Name	Remarks
	2901 0866 01	1	Filter kit			2901 0709 00	1	Elem.overh.kit	
	1613 8720 00	• 1	Filter element			0663 2107 37	• 1	O-ring	
	1613 6105 01	• 1	Oil filter			0663 2106 67	• 1	O-ring	
	1622 0351 01	• 1	Oil separator			0508 1108 00	• 1	Bearing	
	9820 4572 00	• 1	Filter Kit 2901 0866 01			0508 1100 46	• 1	Bearing	
	2901 5005 00	1	Shaft seal kit			0504 0200 14	• 1	Ball Bearing	
	1616 5742 00	• 1	Seal ring			0663 7139 00	• 1	O-ring	
	1622 0009 00	• 1	Bushing			0504 0605 00	• 1	Bearing	
	0663 2103 22	• 1	O-ring			0663 2108 34	• 1	O-ring	
	2904 0005 00	• 1	Instr. Drwg			1616 6267 70	• 1	Spacer	
	2901 1399 00	1	Min Press Valve kit			1616 6273 70	• 1	Spacer	
			7.5-8.6-10 bar(e)/100-125-150 psig			2901 0712 00	1	Kit WSD 25	
	1513 0401 01	• 1	Valve Disc			1613 9227 80	• 1	Drain Assembly	
	1513 0064 00	• 1	Spring			1613 9227 00	•• 1	Drain WSD25/40	
	0663 2105 40	• 1	O-ring			0663 6128 00	•• 1	O-ring	
	1513 0063 00	• 1	Spring			0663 6124 00	•• 1	O-ring	
	0661 1000 44	• 1	Seal washer			1613 9229 00	•• 1	Cover	
	2904 1015 00	• 1	Min Press Valve Instruction			1613 9228 00	•• 1	Housing	
	2901 1411 00	1	Min Press Valve kit			1613 9311 80	•• 1	Float Assy WSD25/40	
			13 bar(e)/175 psig			1613 9311 00	••• 2	Float Half WSD25/40	
	1513 0401 01	• 1	Valve Disc			1613 9312 00	••• 1	Support WSD25/40	
	1513 0064 00	• 1	Spring			1613 9338 00	•• 1	Vavle Disc WSD25/40 Drain	
	0663 2105 40	• 1	O-ring			1613 8750 00	•• 1	Insert For Drain WSD25-40	
	1622 0259 00	• 1	Spring			0663 9004 00	•• 1	O-ring 4x1	
	0661 1000 44	• 1	Seal Washer			1613 9247 00	•• 1	Nut WSD25/40	
	2904 1015 00	• 1	Min Press Valve Instruction			0663 2111 28	• 1	O-ring 61x3	
	2901 0068 00	1	Thermostat kit 38°C			0663 6137 00	• 1	O-ring 64,5x3	
	1622 7064 01	• 1	Thermostatic Valve 38°C			0663 2133 00	• 3	O-ring 39,2x3	
	0663 2101 95	• 1	O-ring			2904 0154 00	• 0	Instruction WSD25-40	
	9820 4573 00	• 1	Thermostatic Valve Kit			2901 0748 00	1	Drain valve kit WSD 25	
	2904 0036 02	• 1	GA30-75 Thermostatic Valve Kit			1613 9225 00	• 1	Clamp WSD25/40	
	2901 0069 00	1	Thermostat kit 65°C			1613 9226 00	• 1	Ring WSD25/40	
	1622 7064 02	• 1	Thermostatic Valve 65°C			0663 9289 00	• 1	O-ring	
	0663 2101 95	• 1	O-ring			0291 1108 00	• 1	Lock Nut	
	9820 4573 00	• 1	Thermostatic Valve Kit			2904 0155 00	• 0	Instruction WSD25-40	
	2904 0036 02	• 1	GA30-75 Thermostatic Valve Kit			2901 0563 00	1	Automatic Drain Kit	
						2901 1212 00	1	Spare element kit PDX/PDXP 55	

Service kit

Ref.	Part number	Qty	Name	Remarks	Ref.	Part number	Qty	Name	Remarks
	2901 1214 00	1	Spare element kit DDX/ DDXP 55			2901 1639 00	1	Element mounting kit	
						0663 7142 00	• 1	O-ring	
						0663 7134 00	• 3	O-ring	
						0661 1000 38	• 1	Seal Washer	
						0663 2111 35	• 3	O-ring	
						0663 3125 00	• 1	O-ring	
						0663 2103 22	• 1	O-ring	
						9820 4571 00	• 1	Element Mounting Kit	
						2901 0716 00	1	Motor bearing kit	
						0502 1091 78	• 1	Bearing (d End)	
						0502 1091 79	• 1	Bearing (n End)	
						2901 0719 00	• 1	Motor Sealing Kit GA11-22	
						2901 0338 02	• 8	Grease Tube Motor Bearings	
						0017 5605 61	••	AR Grease	
						2901 1189 00	1	Maintenance kit	
								7.5-8.6-10 bar(e)/100-125-150 psig	
						2901 0866 01	• 1	Filter kit GA/X15-22	
						2901 1077 00	• 1	Scavenge line kit	
						2901 1399 00	• 1	Service kit min press valve	
						2901 0068 00	• 1	Thermostat kit	
						2902 0161 00	• 1	Unloader service kit C77	
						1089 9556 23	• 1	Filter for FPF12 (spare)	
						2901 1203 00	1	Maintenance kit	
								13 bar(e)/175 psig	
						2901 0866 01	• 1	Filter kit GA/X15-22	
						2901 1077 00	• 1	Scavenge line kit	
						2901 1411 00	• 1	Service kit min press valve	
						2901 0069 00	• 1	Thermostat kit	
						2902 0161 00	• 1	Unloader service kit C77	
						1089 9556 23	• 1	Filter for FPF12 (spare)	
	2902 0161 00	1	Unloader kit						
	1622 1755 80	• 1	Valve Ass'y C77						
	1622 1755 00	•• 1	Valve C77						
	1622 3694 80	• 1	Assembly						
	1622 3694 00	•• 1	Housing						
	1622 3694 01	•• 1	Cover						
	1622 3694 02	•• 1	Piston						
	1513 0477 00	•• 1	Piston Ring						
	1622 3694 03	•• 1	Seal						
	1622 3694 04	•• 1	Seal						
	1622 3694 05	•• 1	Rivet						
	1622 3694 06	•• 2	Insert						
	1622 3694 07	•• 1	Glide Seal						
	0226 3300 18	•• 4	Bolt						
	0663 2112 69	•• 1	O-ring						
	1622 1797 00	• 1	Bushing						
	1622 1790 00	• 1	Guidance Tape C77 Unloader						
	1622 1798 00	• 1	Quad-ring C77 Unloader						
	0663 2104 98	• 1	O-ring						
	1622 2906 00	• 1	Bushing Vqb22						
	1622 2905 00	• 1	High Temperature Sealing Vqb22						
	1622 2904 00	• 1	Spring Vqb 22						
	1622 2903 00	• 1	Spring Guide Vqb 22						
	0301 2318 00	• 2	Washer						
	0160 0996 86	• 2	Cross Rec Screw						
	0663 2111 55	• 1	O-ring						
	0663 7142 00	• 1	O-ring						
	0211 1957 50	• 2	Screw						
	0661 1000 40	• 1	Seal Washer						
	9820 3654 00	• 1	Instruct Drwg						





+7(916) 033-41-41



apsair@apsair.ru

apsair.ru