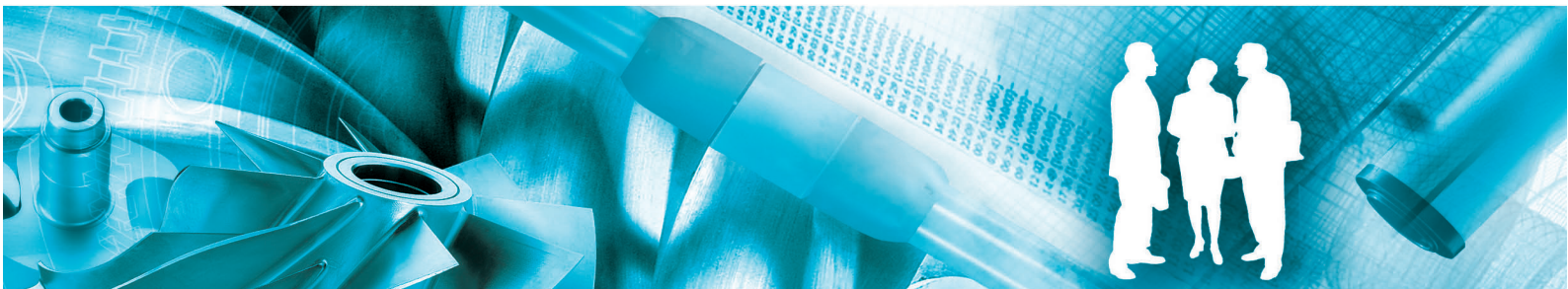


# Atlas Copco

## Oil-injected rotary screw compressors



GA 15, GA 18, GA 22  
Medical

**Parts list**



<https://apsair.ru>



# Atlas Copco

## Oil-injected rotary screw air compressors

GA 15, GA 18, GA 22

Medical

From following serial No. onwards :  
API 457 501

### Parts list

2012 - 03

**No. 2930 7109 41**  
Replaces 2930 7109 40




<https://apsair.ru>



## ru - Правила пользования

### 1 ЗАКАЗ ДЕТАЛЕЙ

Всегда указывайте номер по каталогу, наименование и количество требуемых позиций, а также тип и серийный номер машины. Страницы, помеченные символом Service - “

### 2 ИНФОРМАЦИЯ О СТОЛБЦЕ

**Ref.** - Справочный номер: связывает деталь, указанную в списке, с чертежом. На чертеже показаны только детали, имеющие справочные номера. Детали на чертеже без справочных номеров показаны только для иллюстрации сборки.

**Partnumber** - Каталожный номер: если каталожный номер не указан, то данный компонент нельзя заказать как запчасть. Жирным шрифтом показаны сборочные единицы. Деталь, после номера которой следует черная точка, входит в состав сборочной единицы, набранной жирным шрифтом непосредственно над ней. Кавычки “<<<< >>>>” ссылаются на другой список того же наименования, что и “Name” (Наименование детали).

Если каталожный номер находится под линией “Ref.”/”Name”, это означает, что необходимо сделать выбор в соответствии с типом/исполнением машины.

**Qty** - Количество: указывает количество деталей в соответствии с их справочным номером. “AR” означает “As required” (По требованию): количество или номер необходимо определить.

**Name** - Наименование детали: перевод английских наименований находится в “Glossary of Part Names” (Словаре наименований деталей).

**Remarks** - Примечания - дополнительная информация о детали. Ряд букв может означать, что конкретная деталь сертифицирована указанным уполномоченным лицом, в соответствии с кодами или правилами в перечне. Размеры даны в миллиметрах.



## Table of contents

1	Service kits .....	5
2	Drive arrangement.....	11
3	Air system - Air inlet.....	13
4	Air system - Unloader assembly .....	15
5	Air system - Air outlet .....	17
6	Air system - Air outlet - Air plant additional piping .....	19
7	Oil system - Oil circuit.....	21
8	Oil system - Oil vessel connections .....	23
9	Cubicle - Compressor - IEC .....	27
10	Bodywork.....	31
11	Bodywork - Baffles .....	33
12	External Air receiver - Components - 250 Litres, 500 Litres .....	35
13	External Air receiver - Components - 1000 Litres, 1500 Litres .....	37
14	External Air receiver - Components - 2000 Litres, 3000 Litres .....	39
15	Standard option - Electronic water drain .....	41
16	Standard option - Heavy duty filter .....	43
17	Standard option - Phase sequency relay .....	45
18	Standard option - Tropical thermostat .....	47
19	Standard option - Anti-condensation heaters .....	49



## Service kits

1

Ref.	Part number	Qty	Name	Remarks
		<b>1</b>	<b>Oil</b>	
	2901 0245 01		ROTO-INJECTFLUID - 5 liter	
	2901 1700 00		ROTO-XTEND DUTY - 5 liter	
	2901 0522 00		ROTO-INJECTFLUID - 20 liter	
	2901 1701 00		ROTO-XTEND DUTY - 20 liter	
	<b>2902 0161 00</b>	<b>1</b>	<b>Unloader kit</b>	
	0160 0996 86 •	2	Screw	
	0211 1957 50 •	2	Screw	
	0301 2318 00 •	2	Washer	
	0661 1000 40 •	1	Seal washer	
	0663 2104 98 •	1	O-ring	
	0663 2111 55 •	1	O-ring	
	0663 7142 00 •	1	O-ring	
	1622 1755 80 •	1	Valve ass'y	
	1622 1790 00 •	1	Tape	
	1622 1797 05 •	1	Bushing	
	1622 1798 00 •	1	Quad-ring	
	1622 2903 00 •	1	Spring guide	
	1622 2904 00 •	1	Spring	
	1622 2905 00 •	1	Sealing	
	1622 2906 00 •	1	Bushing	
	1622 3694 80 •	1	Assembly	
	9820 3654 01 •	1	Instruction drg	
	<b>2901 1077 00</b>	<b>1</b>	<b>Scavenge line kit</b>	
	0661 1000 38 •	1	Seal washer	
	0663 2108 11 •	1	O-ring	
	1613 9005 01 •	1	Non return valve	
	0663 3119 00 •	2	O-ring	
	<b>2901 0866 01</b>	<b>1</b>	<b>Filter kit</b>	
	1613 6105 01 •	1	Oil filter	
	1613 8720 00 •	1	Filter element	
	1622 0351 01 •	1	Oil separator	
	9820 4572 00 •	1	Instruction	
	<b>2901 5005 00</b>	<b>1</b>	<b>Shaft seal kit</b>	
	1622 0009 00 •	1	Bushing	
	0663 2103 22 •	1	O-ring	
	2904 0005 00 •	1	Instruction	
	1616 5742 00 •	1	Seal ring	
		<b>1</b>	<b>Minimum pressure valve kit</b>	
	<b>2901 1399 00</b>		7.5bar(e), 10bar(e) 100psig, 150psig	
	0661 1000 60 •	1	Seal	
	0663 2105 40 •	1	O-ring	
	1513 0063 00 •	1	Spring	
	1513 0064 00 •	1	Spring	
	1513 0401 01 •	1	Valve disc	
	2904 1015 00 •	1	Instruction mpv	
	9820 4845 00 •	1	Service diagram	

## Service kits

1

Ref.	Part number	Qty	Name	Remarks
	<b>2901 1411 00</b>	<b>1</b>	<b>Minimum pressure valve kit</b>	
			13bar(e), 175psig	
	0661 1000 60 •	1	Seal	
	0663 2105 40 •	1	O-ring	
	1513 0064 00 •	1	Spring	
	1513 0401 01 •	1	Valve disc	
	1622 0259 00 •	1	Spring	
	2904 1015 00 •	1	Instruction mpv	
	9820 4846 00 •	1	Service diagram	
	<b>2901 0068 00</b>	<b>1</b>	<b>Thermostatic kit 38°C</b>	
	0663 2101 95 •	1	O-ring	
	1622 7064 01 •	1	Thermostatic valve	
	9820 4573 00 •	1	Thermostatic valve kit	
	<b>2901 0414 00</b>	<b>1</b>	<b>Thermostatic kit 60°C</b>	
	0663 2101 95 •	1	O-ring	
	1622 7064 04 •	1	Thermostatic valve	
	2904 0036 02 •	1	Instruction	
	9820 4573 00 •	1	Thermostatic valve kit	
	<b>2902 0350 00</b>	<b>1</b>	<b>Thermostatic valve 75°C</b>	
	0663 2113 76 •	1	O-ring	
	1622 7064 03 •	1	Thermostatic valve	
	9820 9644 00 •	1	Kit	
	<b>2901 0712 00</b>	<b>1</b>	<b>Overhaul kit</b>	
	0663 2111 28 •	1	O-ring	
	0663 2133 00 •	3	O-ring	
	0663 6137 00 •	1	O-ring	
	1613 9227 80 •	1	Drain	
	2904 0154 00 •	1	Instruction	
	<b>2202 7440 01</b>	<b>1</b>	<b>Electric drain dryer kit</b>	
	<b>2901 1639 00</b>	<b>1</b>	<b>Element mounting kit</b>	
	0661 1000 38 •	1	Seal washer	
	0663 2103 22 •	1	O-ring	
	0663 2111 35 •	3	O-ring	
	0663 3125 00 •	1	O-ring	
	0663 7134 00 •	3	O-ring	
	0663 7142 00 •	1	O-ring	
	1622 7811 00 •	1	Gasket	
	9820 4571 00 •	1	Instruction	
	<b>2901 0716 00</b>	<b>1</b>	<b>Motor bearing kit</b>	
	0502 1091 78 •	1	Bearing	
	0502 1091 79 •	1	Bearing	
	2901 0338 02 •	8	Grease tube motor bearings	
	2901 0719 00 •	1	Motor sealing kit	

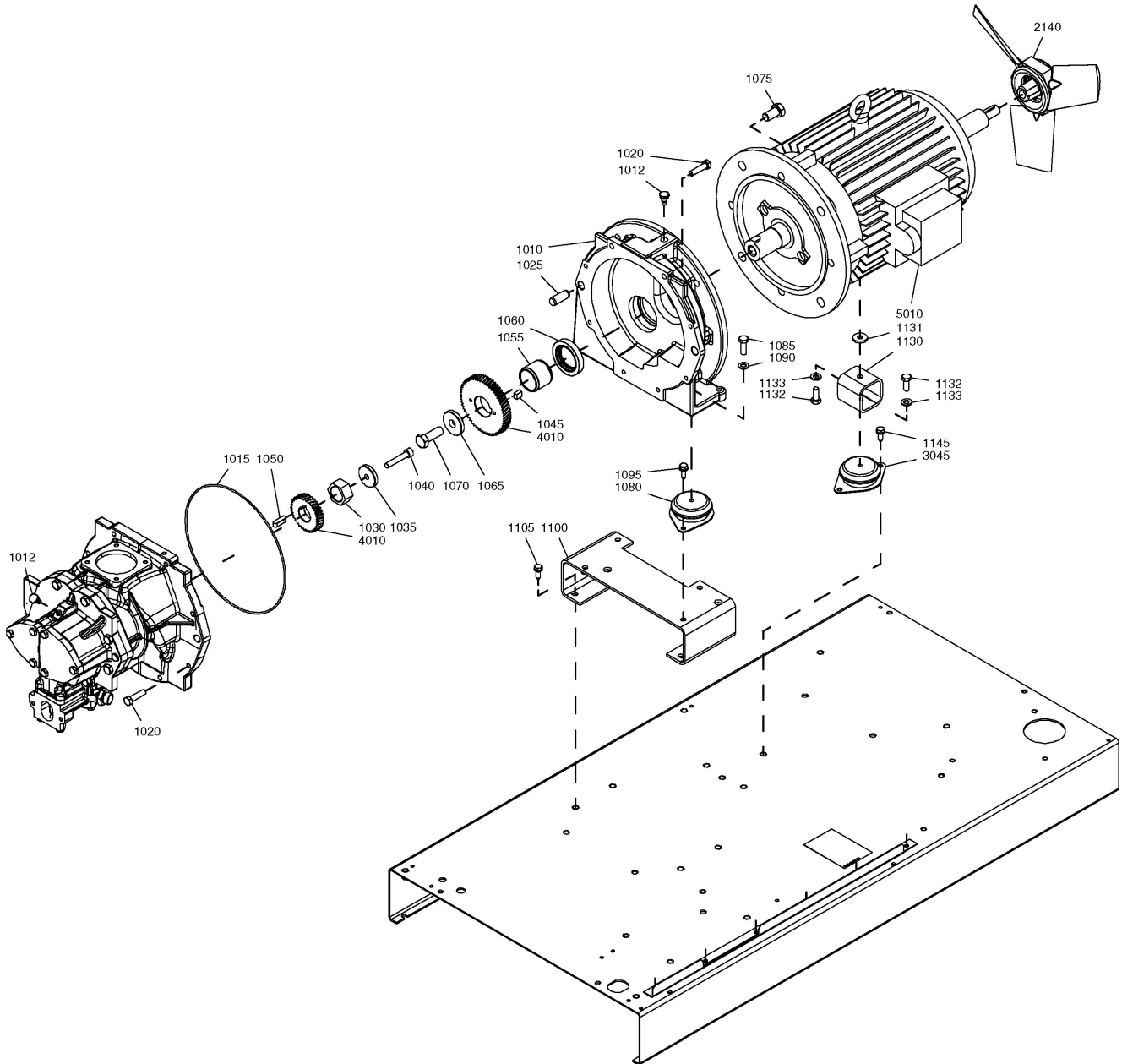


## Service kits

1

Ref.	Part number	Qty	Name	Remarks
	<b>2901 1189 00</b>	<b>1</b>	<b>Preventive maintenance kit</b> 7.5bar(e), 10bar(e) 100psig, 150psig	
	1089 9556 23 •	1	Filter	
	2901 0068 00 •	1	Thermostat	
	2901 0866 01 •	1	Filter kit	
	2901 1077 00 •	1	Scavenge line kit	
	2901 1399 00 •	1	Service kit min press valve	
	2902 0161 00 •	1	Unloader kit	
	<b>2901 1203 00</b>	<b>1</b>	<b>Preventive maintenance kit</b> 13bar(e), 175psig	
	1089 9556 23 •	1	Filter	
	2901 0414 00 •	1	Thermostat kit	
	2901 0866 01 •	1	Filter kit	
	2901 1077 00 •	1	Scavenge line kit	
	2901 1411 00 •	1	Service kit min press valve	
	2902 0161 00 •	1	Unloader kit	

2

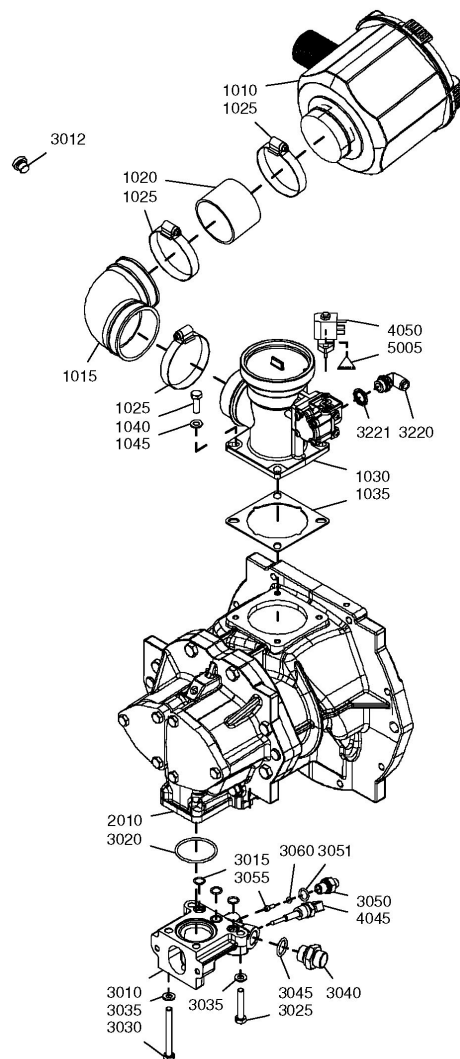


## Drive arrangement

2

Ref.	Part number	Qty	Name	Remarks
1010	1622 0007 00	1	Gear casing	
1012	1619 6032 00	2	Nipple	
1015	0663 2103 22	1	O-ring	
1020	0147 1365 03	8	Hexagon bolt	
1025	0101 1951 40	2	Pin	
1030	1622 3400 00	1	Spacer	
1035	1622 3401 00	1	Washer	
1040	0211 1368 00	1	Cap screw	
1045	0337 0009 42	1	Key	
1050	0337 0009 45	1	Key	
1055	1622 0009 00	1	Bushing	
1060	1616 5742 00	1	Seal ring	
1065	1622 0010 00	1	Washer	
1070	0147 1478 03	1	Hexagon bolt	
1075	0147 1475 03	4	Hexagon bolt	
1080	1613 6752 01	2	Antivibr.pad	
1085	0147 1363 03	2	Hexagon bolt	
1090	0301 2344 00	2	Washer	
1095	0147 1962 72	4	Hexagon bolt	
1100	1622 0136 00	1	Support	
1105	0147 1963 08	4	Hexagon bolt	
1130	1622 4752 10	1	Spacer	
1131	0300 0274 93	1	Plain washer	
1132	0147 1362 03	2	Hexagon bolt	
1133	0301 2344 00	2	Washer	
1145	0147 1963 08	2	Hexagon bolt	
2140	1622 4783 00	1	Fan	
3045	1613 6752 01	1	Antivibr.pad	
4010		1	Gear set	
	1622 5991 88		GA 15 7.5bar(e)	
	1622 5991 81		GA 15 10bar(e)	
	1622 5991 70		GA 15 13bar(e)	
	1622 5991 86		GA 15 100psig	
	1622 5991 85		GA 15 150psig	
	1622 5991 74		GA 15 175psig	
	1622 5991 94		GA 18 7.5bar(e)	
	1622 5991 71		GA 18 10bar(e)	
	1622 5991 87		GA 18 13bar(e)	
	1622 5991 88		GA 18 100psig	
	1622 5991 81		GA 18 150psig	
	1622 5991 92		GA 18 175psig	
	1622 5991 68		GA 22 7.5bar(e)	
	1622 5991 94		GA 22 10bar(e)	
	1622 5991 67		GA 22 13bar(e)	
	1622 5991 93		GA 22 100psig	
	1622 5991 88		GA 22 150psig	
	1622 5991 87		GA 22 175psig	
5010		1	Motor	
	1080 4251 33		GA 15 380V/60Hz	
	1080 4251 23		GA 15 400V/50Hz	
	1080 4252 33		GA 18 380V/60Hz	
	1080 4252 23		GA 18 400V/50Hz	
	1080 4253 33		GA 22 380V/60Hz	
	1080 4253 23		GA 22 400V/50Hz	

3

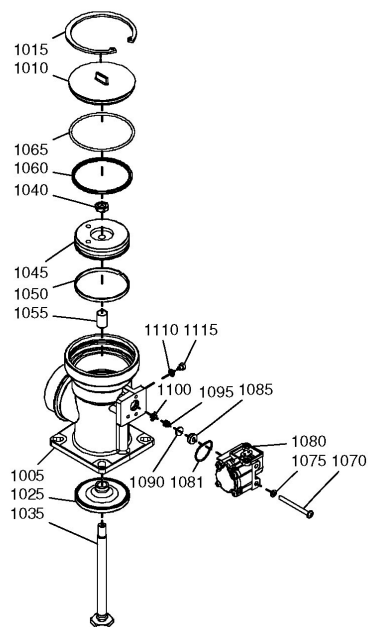


## Air system - Air inlet

3

Ref.	Part number	Qty	Name	Remarks
<b>1010</b>	<b>1613 8719 00</b>	<b>1</b>	<b>Filter housing</b>	
	1613 8720 00 •	1	Filter element	
1015	1622 4741 00	1	Elbow	
1020	1622 4780 00	1	Tube	
1025	0347 6114 00	3	Hose clip	
<b>1030</b>	<b>&lt;&lt;&lt;&gt;&gt;&gt;</b>	<b>1</b>	<b>Unloader assembly</b>	
1035	1622 7811 00	1	Gasket	
1040	0147 1325 03	4	Bolt	
1045	0301 2335 00	4	Washer	
2010	1616 6712 80	1	Service stage	
3010	1622 6141 01	1	Housing	
3012	0686 3718 24	1	Plug	
3015	0663 2111 35	3	O-ring	
3020	0663 7134 00	1	O-ring	
3025	0147 1329 03	2	Bolt	
3030	0147 1335 03	2	Bolt	
3035	0301 2335 00	4	Washer	
3040	0571 0035 96	1	Nipple	
3045	0663 3125 00	1	O-ring	
3050	1622 3468 20	1	Nozzle	
3051	0663 3119 00	1	O-ring	
3055	1613 9005 01	1	Valve	
3060	0663 2108 11	1	O-ring	
3220	0583 8120 76	1	Nipple	
3221	0661 1000 40	1	Seal washer	
4045	1089 0574 70	1	Temp. sensor	
4050		1	Solenoid valve	
	1089 0702 13		50Hz	
	1089 0702 14		60Hz	
5005	1088 1001 01	1	Warning mark	

4

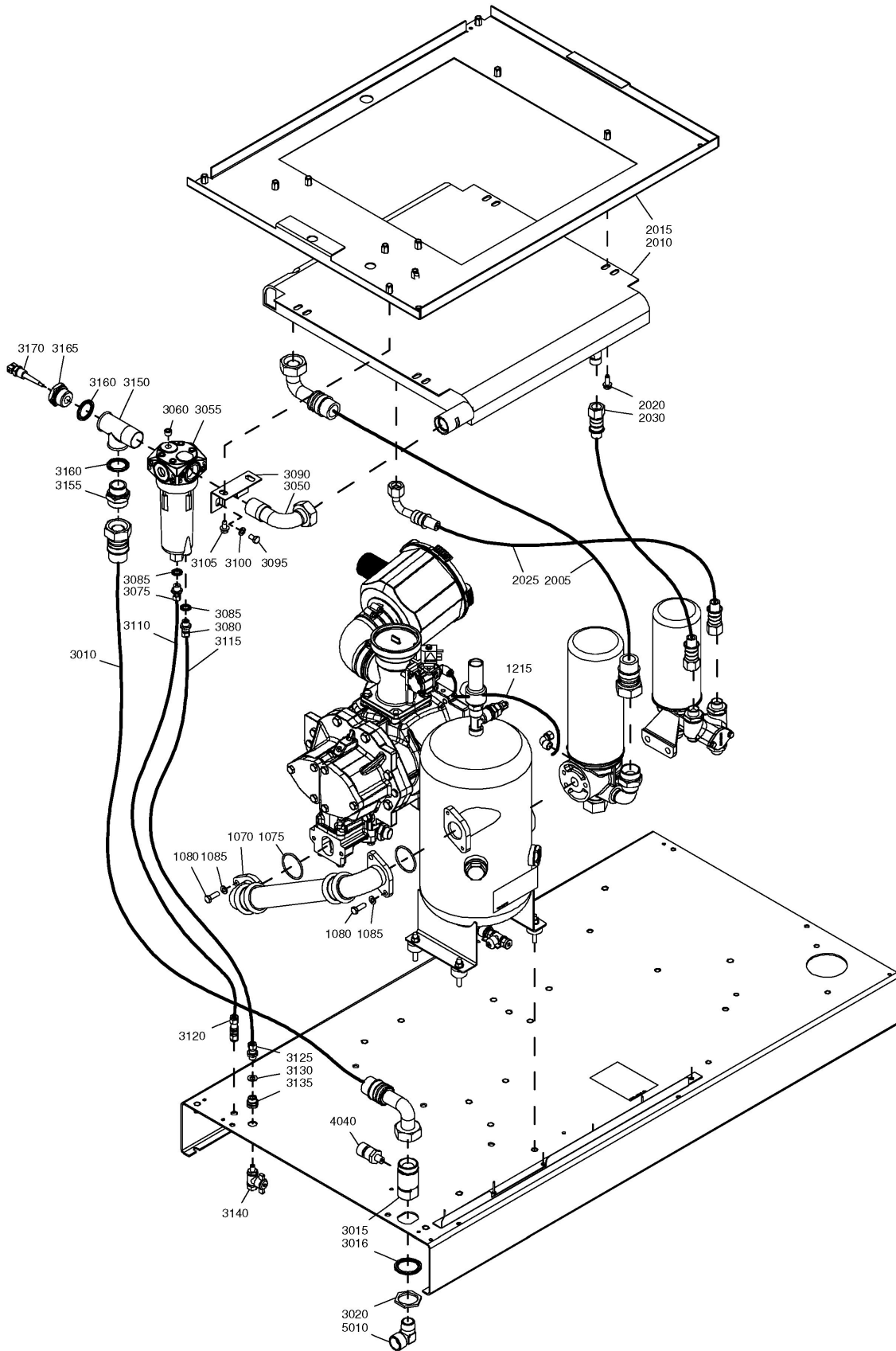


## Air system - Unloader assembly

4

Ref.	Part number	Qty	Name	Remarks
	<b>1622 1713 83</b>	<b>1</b>	<b>Unloader assembly</b>	
1005	•	1	Housing	
1010	1622 1717 00 •	1	Cover	
1015	0335 2164 00 •	1	Circlip	
1025	1622 1755 80 •	1	Valve	
1035	1622 1773 10 •	1	Rod	
1040	0261 1099 40 •	1	Nut	
1045	1622 1789 00 •	1	Piston	
1050	1622 1790 00 •	1	Sealing ring	
1055	1622 1797 05 •	1	Bushing	
1060	1622 1798 00 •	1	Quad-ring	
1065	0663 2104 98 •	1	O-ring	
1070	0160 0996 86 •	2	Cross rec screw	
1075	0301 2318 00 •	2	Washer	
1080	1622 3694 80 •	1	Blow-off valve	
1081	0663 2111 55 •	1	O-ring	
1085	1622 2906 00 •	1	Bushing	
1090	1622 2905 00 •	1	Sealing	
1095	1622 2904 00 •	1	Spring	
1100	1622 2903 00 •	1	Spring	
1110	0661 1013 00 •	1	Washer	
1115	0686 3716 69 •	1	Plug	

5



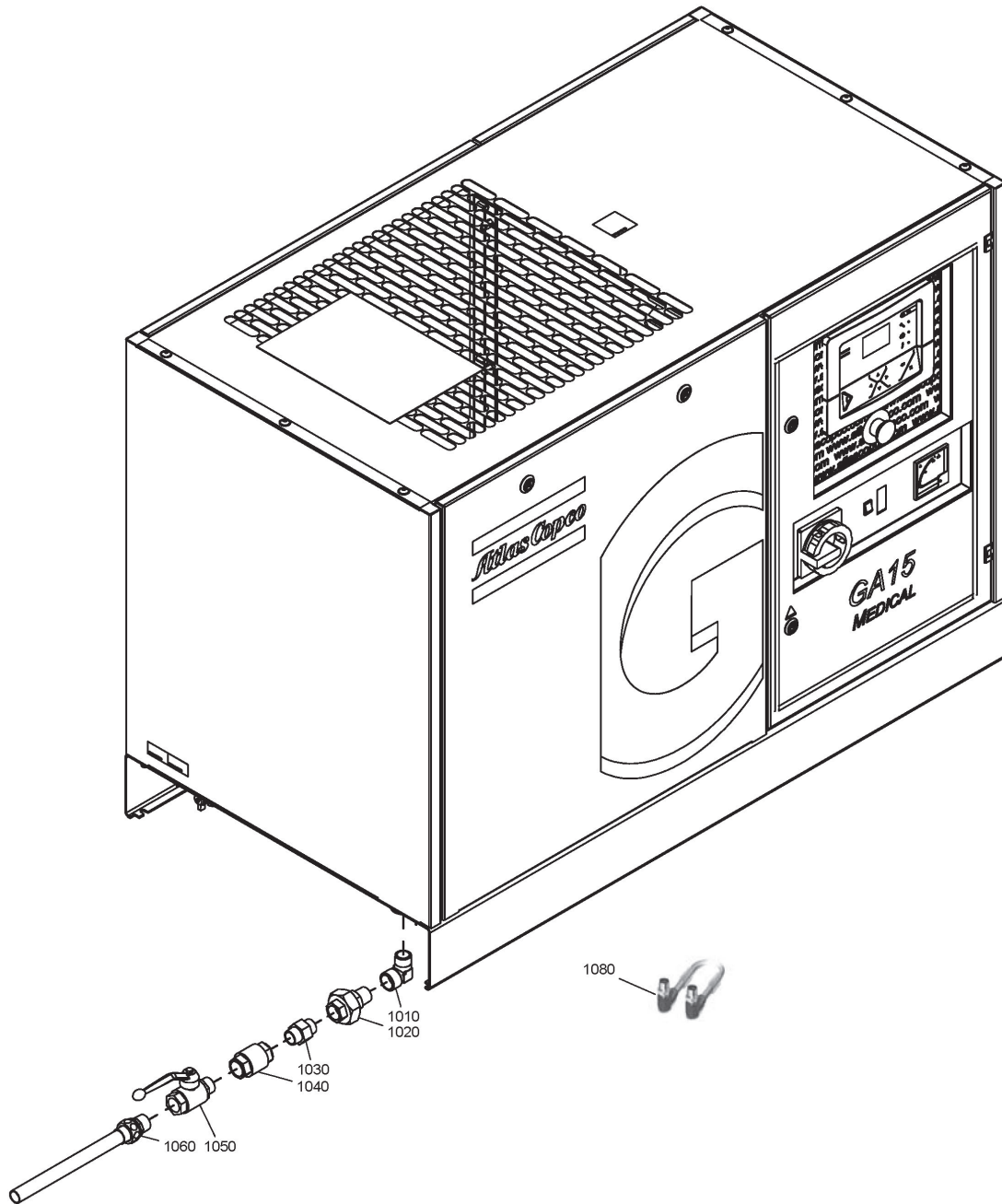
## Air system - Air outlet

5

Ref.	Part number	Qty	Name	Remarks
1070	1622 0015 00	1	Hose assembly	
1075	0663 7134 00	2	O-ring	
1080	0147 1325 03	4	Hexagon bolt	
1085	0301 2335 00	4	Washer	
1215	0070 6002 05	AR	Tube	
2005	0574 9911 35	1	Hose assembly	
2010		1	Cooler	
	1622 3928 00		GA 15	
	1622 3929 00		GA 18	
	1622 3930 00		GA 22	
2015		1	Plate	
	1622 4765 81		GA 15	
	1622 4764 81		GA 18	
	1622 8572 00		GA 22	
2020	0147 1963 08	7	Bolt	
2025	0574 9910 71	1	Hose assembly	
2030		1	Hose assembly	
	0574 9910 56		GA 15	
	0574 9910 55		GA 18	
	0574 9910 55		GA 22	
3010	0574 9911 41	1	Hose assembly	
3015	1622 4739 50	1	Outlet	
3016	0661 1000 62	1	Seal washer	
3020	0697 9809 06	1	Lock nut	
3050	1622 6148 00	1	Pipe	
3055	1613 8222 80	1	WSD 25	
3060	0686 6128 00	1	Plug	
3075	0581 0000 34	1	Coupling	
3080	0581 0000 35	1	Coupling	
3085	0661 1000 38	2	Seal washer	
3090	1622 4799 00	1	Support	
3095	0147 1321 03	2	Bolt	
3100	0301 2335 00	2	Washer	
3105	0226 0301 00	2	Screw	
3110	0070 6002 05	AR	Plastic tube	
3115	0070 6002 04	AR	Plastic tube	
3120	0581 0000 55	1	Pipe coupling	
3125	0581 0000 33	1	Coupling	
3130	0653 1046 00	1	Flat gasket	
3135	0581 0000 43	1	Coupling	
3140	0852 0010 55	1	Ball valve	
3150	0560 4400 88	1	Tee	
3155	2250 4983 00	1	Nipple	
3160	0661 1000 60	2	Seal washer	
3165	0605 8700 51	1	Bushing	
3170	1089 0574 70	1	Temp. sensor	
4040	1089 0575 54	1	Press.transducer	
5010	0605 9500 09	1	Elbow	



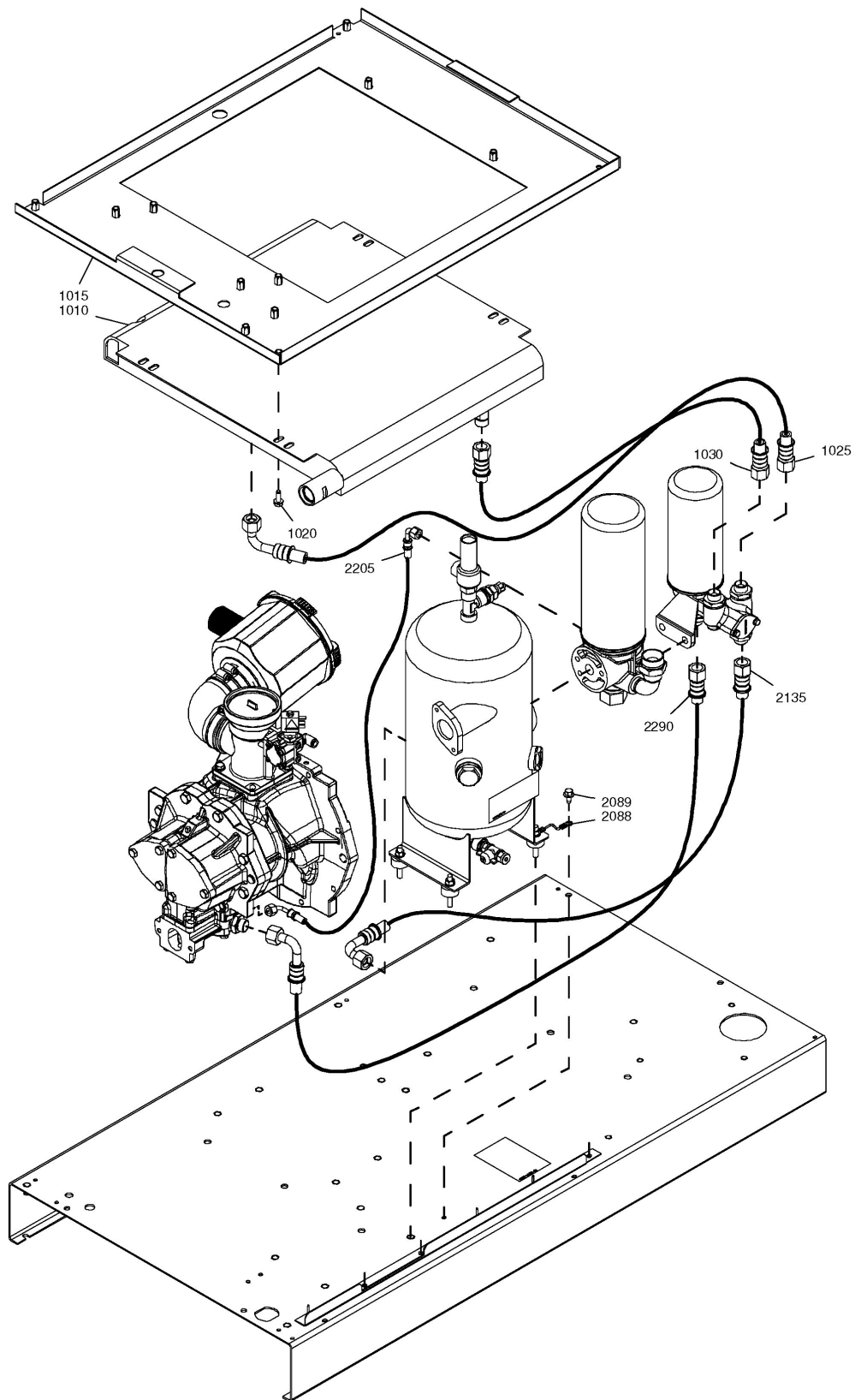
6



**Air system - Air outlet - Air plant additional piping****6**

Ref.	Part number	Qty	Name	Remarks
1010	0605 9500 09	1	Elbow	
1020	0586 1000 28	1	Coupling	
1030	0603 4105 03	1	Nipple	
1040	1622 8576 02	1	Non return valve	
1050	0852 0010 34	1	Ball valve	
1060	1622 8575 00	1	Pipe	
1080	1088 0021 22	1	Cable	

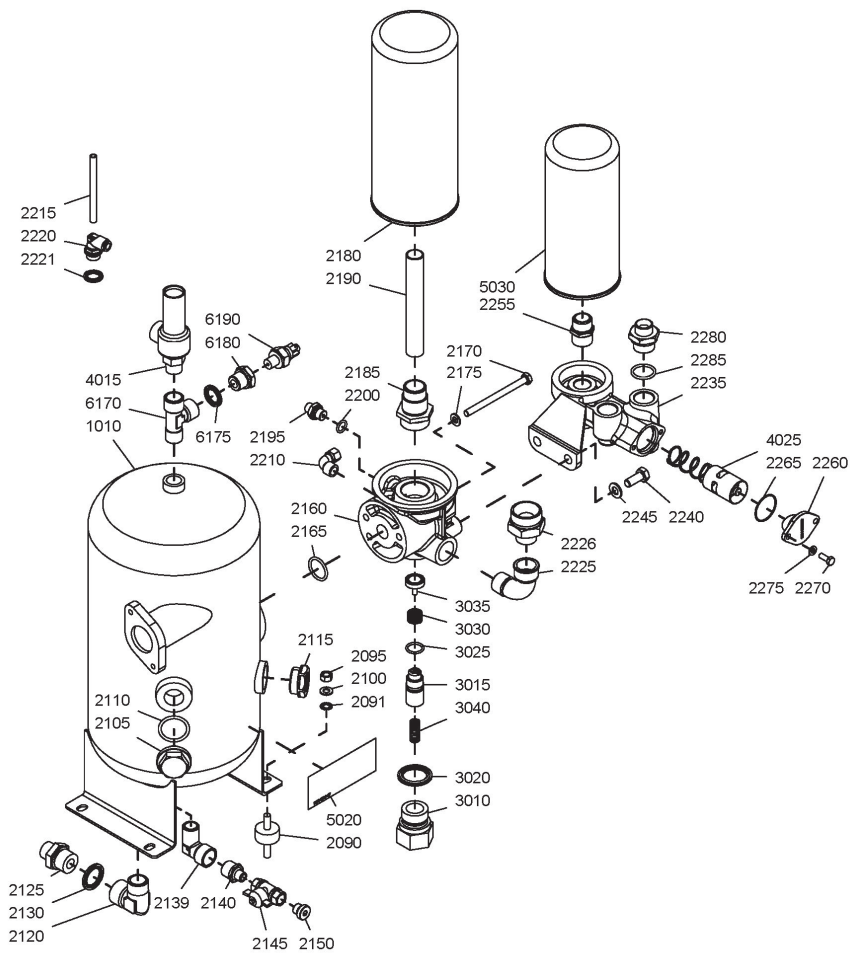
7



**Oil system - Oil circuit****7**

Ref.	Part number	Qty	Name	Remarks
1010		1	Cooler	
	1622 3928 00		GA 15	
	1622 3929 00		GA 18	
	1622 3930 00		GA 22	
1015		1	Plate	
	1622 4765 81		GA 15	
	1622 4764 81		GA 18	
	1622 8572 00		GA 22	
1020	0147 1963 08	4	Bolt	
1025	0574 9910 71	1	Hose assembly	
1030		1	Hose assembly	
	0574 9910 56		GA 15	
	0574 9910 55		GA 18	
	0574 9910 55		GA 22	
2088	1613 8967 12	1	Grounding of vessel	
2089	0226 0301 00	1	Screw	
2135	0574 9910 70	1	Hose assembly	
2205	0574 9910 74	1	Hose assembly	
2290	0574 9910 70	1	Hose assembly	

8



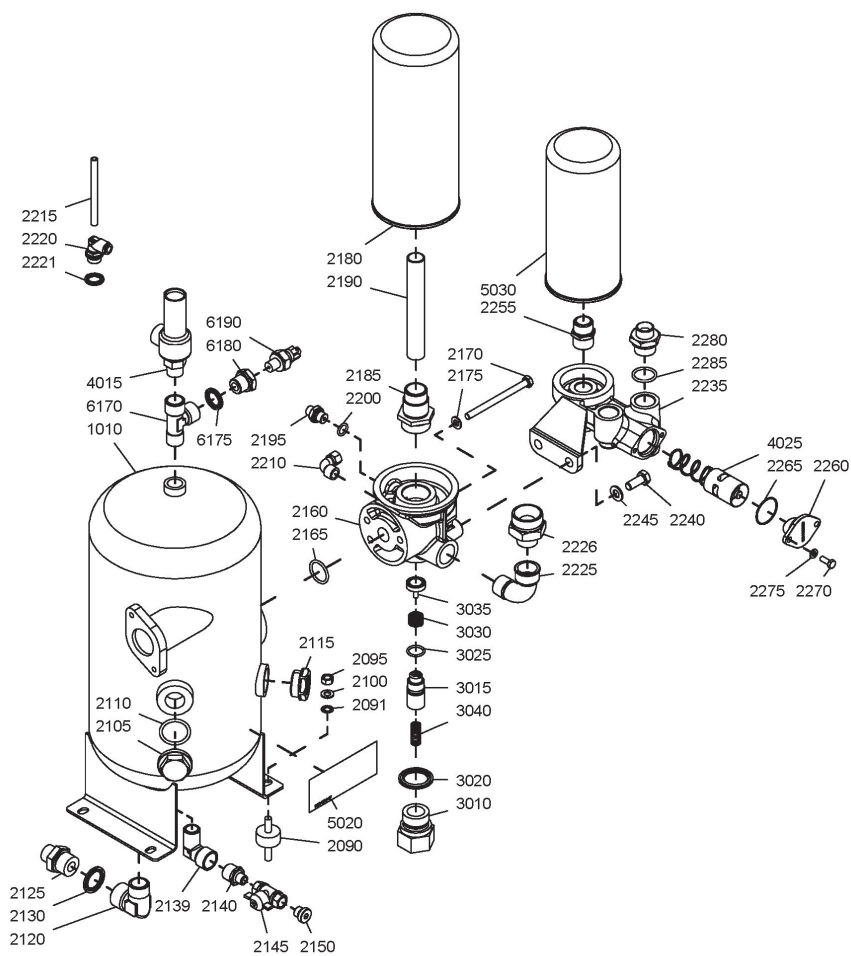
## Oil system - Oil vessel connections

8

Ref.	Part number	Qty	Name	Remarks
1010		1	Vessel	
	1622 4702 50		CE	
	1622 4702 50		ASME	
	1622 6126 00		MOM	
2090	2235 2544 00	4	Damper	
2091	0333 3227 00	1	Lock washer	
2095	0266 2110 00	4	Nut	
2100	0301 2335 00	4	Washer	
2105	1202 8992 00	1	Plug	
2110	0663 2102 15	1	O-ring	
2115	1513 0168 00	1	Sight glass	
2120	0605 9500 09	1	Elbow	
2125	1079 5840 27	1	Nipple	
2130	0661 1000 43	1	Seal washer	
2139	1503 2565 04	1	Elbow	
2140	0603 4100 17	1	Nipple	
2145	0852 0010 36	1	Ball valve	
2150	0686 3718 24	1	Plug	
2160	1622 6199 00	1	Block	
2165	0663 3128 00	1	O-ring	
2170	0147 1341 03	3	Hexagon bolt	
2175	0301 2335 00	3	Washer	
2180	1622 0351 01	1	Oil separator	
2185	1622 0338 00	1	Coupling	
2190	1622 0337 00	1	Pipe	
2195	0571 0035 93	1	Nipple	
2200	0663 3119 00	1	O-ring	
2210	0581 1200 37	1	Pipe coupling	
2215	0070 6002 05	AR	Plastic tube	
2220	0583 8120 76	1	Fitting tube	
2221	0661 1000 40	1	Seal washer	
2225	0562 3106 03	1	Pipebend	
2226	0571 0035 28	1	Nipple	
2235	1613 6883 03	1	Valve housing	
2240	0147 1362 03	2	Hexagon bolt	
2245	0301 2344 00	2	Washer	
2255	1619 3770 00	1	Nipple	
2260	1614 6118 00	1	Flange	
2265	0663 2101 95	1	O-ring	
2270	0147 1246 03	2	Hexagon bolt	
2275	0301 2321 00	2	Washer	
2280	0571 0035 97	4	Nipple	
2285	0663 2113 37	4	O-ring	
3010	1513 0539 00	1	Housing	
3015	1513 0402 01	1	Piston	
3020	0661 1000 60	1	Seal	
3025	0663 2105 40	1	O-ring	
3030	1513 0064 00	1	Spring	
3035	1513 0401 01	1	Valve disc	
3040	1513 0063 00	1	Spring	



8

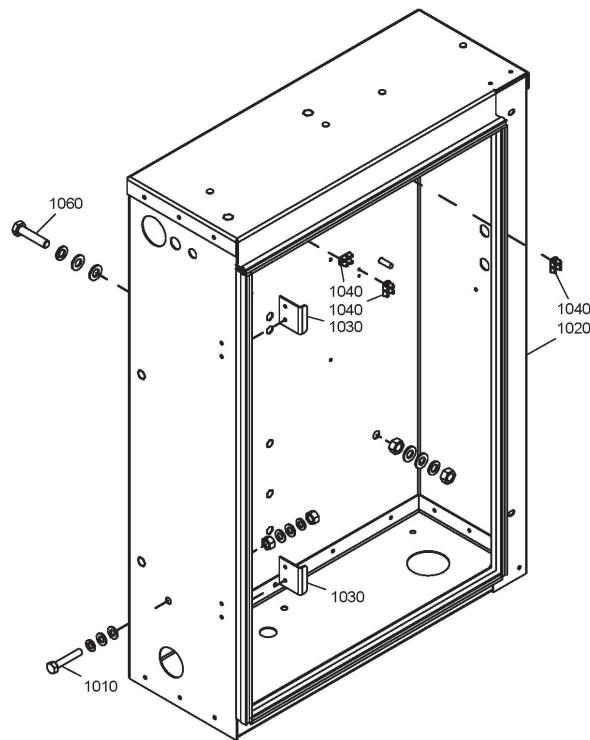
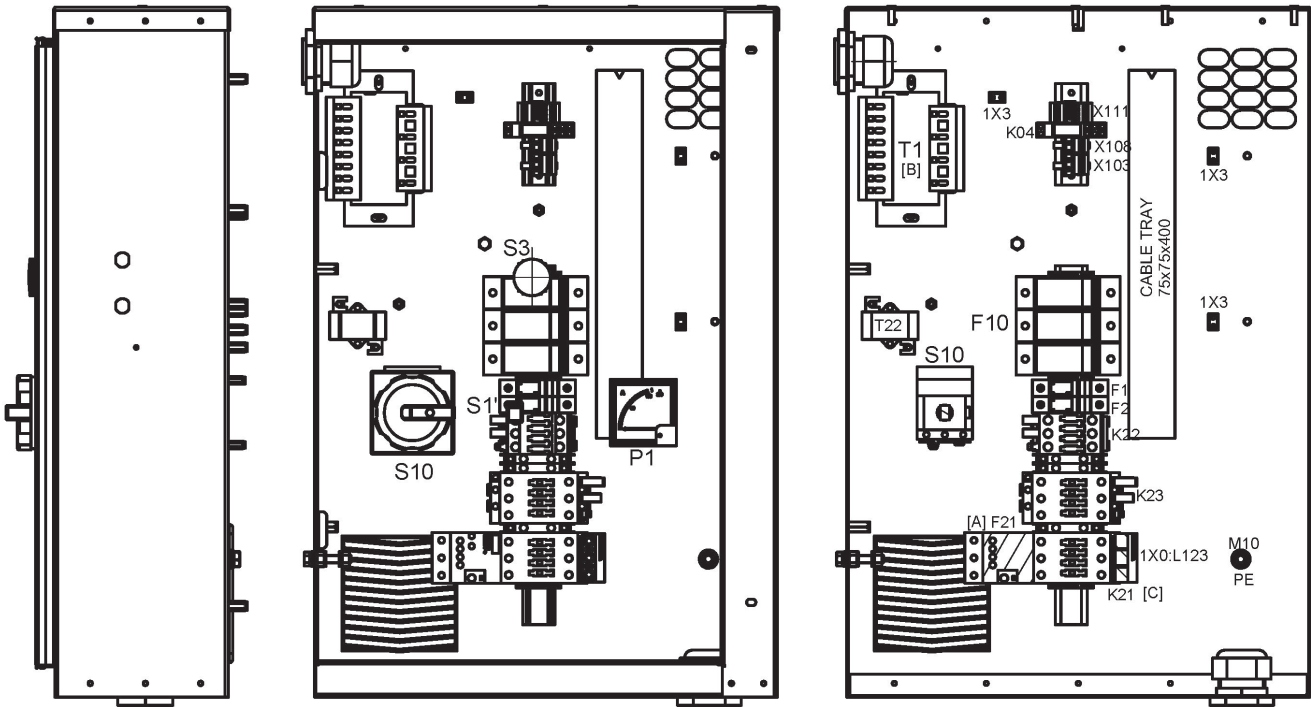


## Oil system - Oil vessel connections

8

Ref.	Part number	Qty	Name	Remarks
4015		1	Safety valve	
	0830 1009 87		7.5bar(e)	
	0832 1002 23		10bar(e)	
	0832 1002 25		13bar(e)	
	0830 1009 96		100psig	
	0830 1009 98		150psig	
	0830 1009 98		175psig	
4025		1	Thermostatic valve	
	1622 7064 01		7.5bar(e)	38°C
	1622 7064 01		10bar(e)	38°C
	1622 7064 04		13bar(e)	60°C
	1622 7064 01		100psig	38°C
	1622 7064 01		150psig	38°C
	1622 7064 04		175psig	60°C
5020		1	Label	
	1079 9909 57		Roto-Inject Fluid	
5030	1613 6105 01	1	Oil filter	
6170	1503 2566 13	1	Tee	
6175	0661 1000 39	1	Washer	
6180	0605 8700 90	1	Bushing	
6190	1625 5210 02	1	Pressure switch	

9

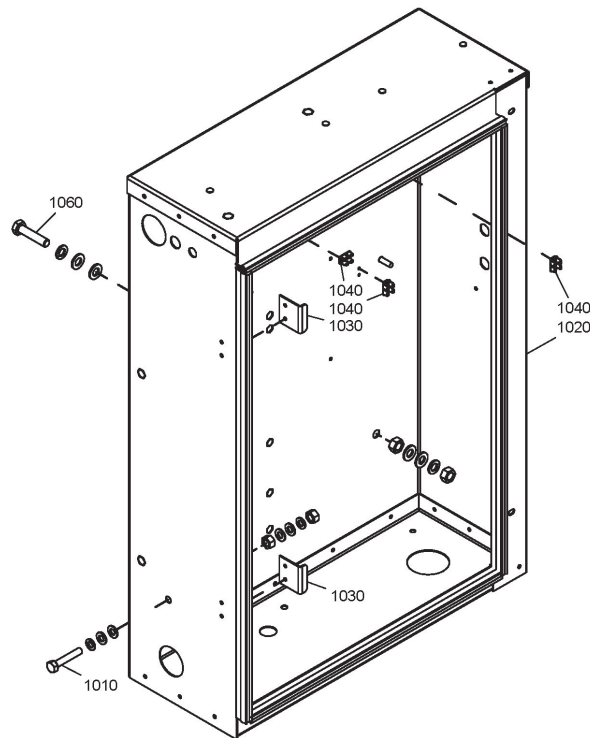
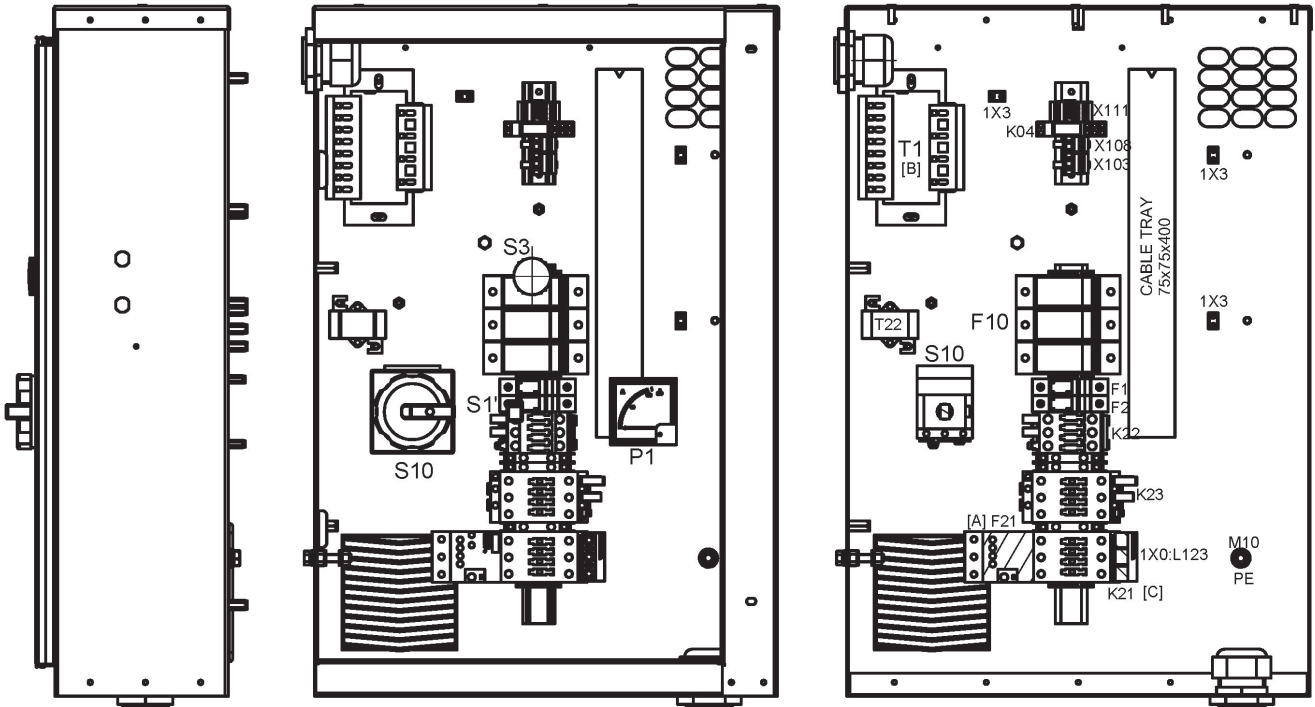


## Cubicle - Compressor - IEC

9

Ref.	Part number	Qty	Name	Remarks
	<b>1900 2278 99</b>	<b>1</b>	<b>Cubicle</b>	
	<b>1900 2321 16</b> •		<b>ES100 module</b>	
X111	1088 0031 18 ••	2	Adaptor	
X111 pin4				
	1088 0031 19 ••	1	Coding key	
X111	1088 0031 84 ••	1	Connector male	
X111	1088 0037 04 ••	1	Connector female	
X104	1088 0037 63 ••	1	Connector combi	
K21	1089 9415 09 ••	1	Contact block	
K04	1089 9511 15 ••	1	Socket	
K04	1089 9511 51 ••	1	Relay	
K04	1089 9511 57 ••	1	Clip	
	<b>1900 2815 18</b>		<b>Basis module</b>	
L=130mm				
	0090 1400 02 •	1	Mounting rail	
For WH 0697 9809 24	••	1	Nut	
For Supply				
	0697 9809 25 ••	1	Nut	
For Supply				
	0698 5140 76 ••	1	Cable gland	
120	1079 9925 69 ••	1	Label	
X101	1088 0015 02 ••	1	Connector male	
X101	1088 0015 36 ••	2	Connector socket	
X103-X108				
	1088 0031 18 ••	4	Adaptor	
X106	1088 0031 22 ••	1	Connector female	
2X30	1088 0031 32 ••	1	Connector female	
X132	1088 0031 43 ••	1	Connector female	
X106	1088 0031 82 ••	1	Connector male	
X108	1088 0031 83 ••	1	Connector male	
X103	1088 0031 84 ••	1	Connector male	
X108	1088 0037 03 ••	1	Connector female	
X103	1088 0037 04 ••	1	Connector female	
X105-1X5				
	1088 0037 30 ••	2	Connector female	
X104	1088 0037 31 ••	1	Connector female	
2X28	1088 0037 80 ••	1	Connector female	
S3	1089 0362 51 ••	1	Emergency stop button	
-	1089 0577 58 ••	3	End retainer	
F10	1089 0612 12 ••	3	Fuse holder	
F10	1089 0612 50 ••	3	Fuse	
X102	1089 0700 02 ••	1	Connector male	
X102	1089 0700 04 ••	8	Connector socket	
L=400mm				
	1088 0851 19 ••	1	Raceway	
P1	1089 9241 48 ••	1	A-meter	
P1	1089 9241 90 ••	1	Joint	
S1	1089 9246 02 ••	1	Wire Harness	
T22	1089 9272 47 ••	1	Current transformer	
S3	1089 9337 13 ••	2	Contact block	
S10	1089 9445 12 ••	1	Mainswitch	
110	1622 7302 00 ••	1	Data-label	
	<b>1900 2830 09</b> •		<b>Transfo module</b>	
-	1089 0577 58 ••	1	End retainer	

9



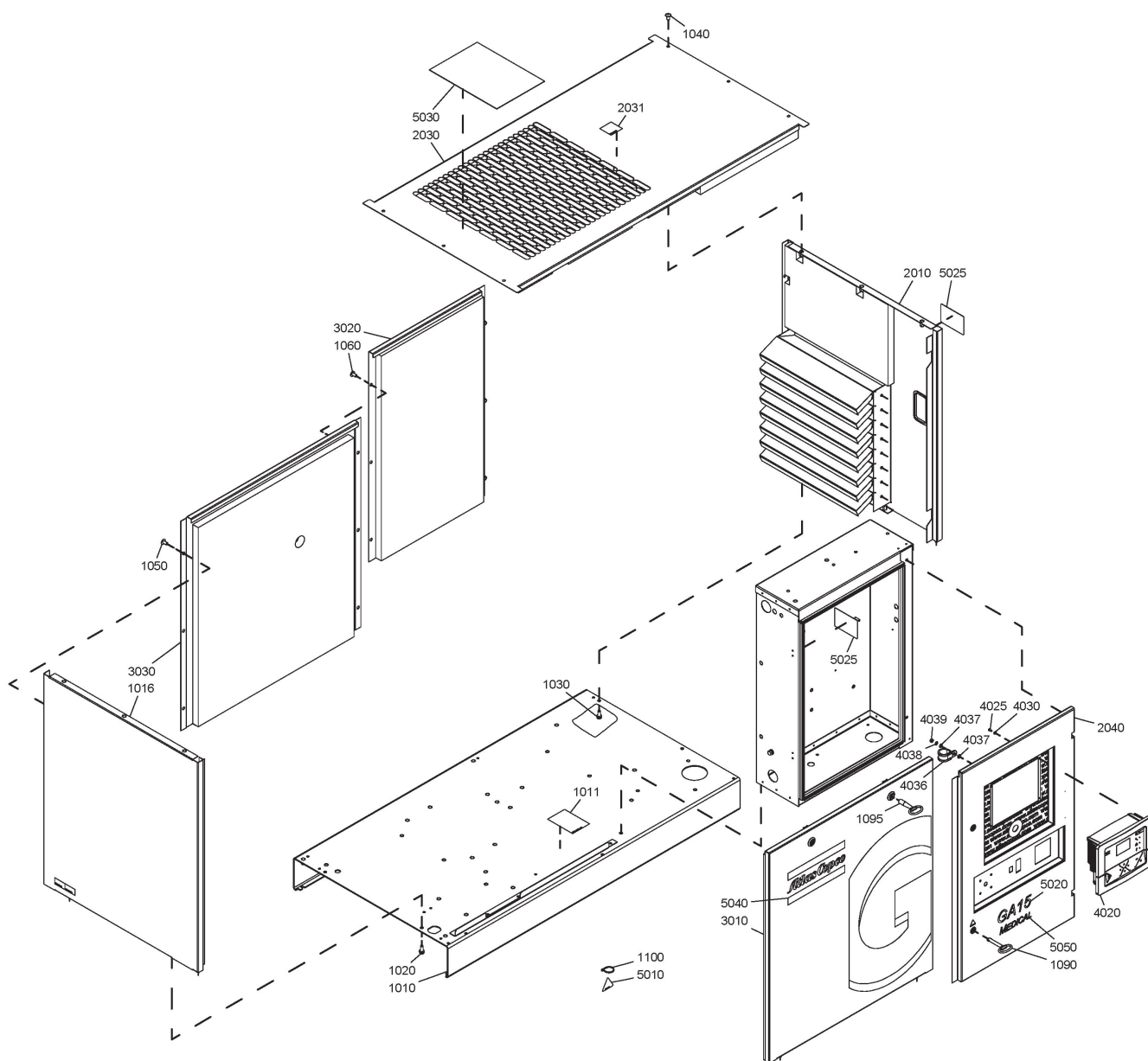
## Cubicle - Compressor - IEC

9

Ref.	Part number	Qty	Name	Remarks
F1-F2	1089 0612 01 ●●	2	Fuse holder	
F1-F2	1089 0612 24 ●●	2	Fuse	
T1	1089 9436 44 ●●	1	Transformer	
	<b>1900 2823 15 ●</b>		<b>Starter module</b>	
L=320mm				
	0090 1400 02 ●●	1	Mounting rail	
K22-K23				
	0694 5285 12 ●●	9	Isolator cap	
K23	0694 5900 06 ●●	3	Faston flat	
K22	0694 5900 10 ●●	3	Fork faston male	
K23	1088 0004 20 ●●	3	Double faston	
Rail ends				
	1089 0577 58 ●●	1	End retainer	
X102	1089 0700 01 ●●	1	Connector female	
X102	1089 0700 03 ●●	8	Connector pin	
K22	1089 9415 09 ●●	1	Contact block	
K22	1089 9415 26 ●●	1	Contact block	
K21-K23				
	1089 9415 35 ●●	2	Contact block	
K21	1089 9415 55 ●●	1	Contact block	
K23	1089 9415 56 ●●	1	Contact block	
1X0:L123 on K21				
	1089 9416 93 ●●	1	3ph terminal block	
F21	1089 9446 61 ●●	1	Overload relay	
	1900 2803 00 ●●	-	Drawing	
AD	9820 3570 28 ●	-	Assembly drawing	
WH	1622 4102 18 ●	1	Wire harness	
-	1625 6252 11 ●	1	Cable	
100	9820 3570 18 ●	1	Service diagram	
<b>MSA</b>	<b>1622 6151 80 ●</b>	<b>1</b>	<b>Cubicle box</b>	
1010	1622 3115 50 ●●	1	Bolt	
1020	●●	1	Cubicle	
1030	1622 6150 20 ●●	2	Support	
1040	0694 5900 05 ●●	3	Tab	
1060	1622 3115 51 ●●	1	Bolt	



10



## Bodywork

10

Ref.	Part number	Qty	Name	Remarks
<b>1010</b>	<b>1622 4730 00</b>	<b>1</b>	<b>Frame</b>	
1011	1079 9903 48 •	1	Warning label	
<b>1016</b>	<b>1622 4727 80</b>	<b>1</b>	<b>Left panel assy</b>	
	1619 5188 00 •	AR	Seal	
1020	0147 1964 29	2	Hexagon bolt	
1030	0147 1964 29	2	Hexagon bolt	
1040	0215 0006 14	6	Screw	
1050	0215 0006 14	3	Screw	
1060	0215 0006 14	6	Screw	
1090	1089 9154 02	1	Key	
1095	1089 9068 01	1	Key	
1100	1088 1301 02	1	Cable strip	
<b>2010</b>	<b>1622 6158 80</b>	<b>1</b>	<b>Panel</b>	1)
<b>2030</b>	<b>1622 6164 80</b>	<b>1</b>	<b>Roof</b>	1)2)
2031	1079 9902 55 •	1	Decal	
<b>2040</b>	<b>1622 6152 80</b>	<b>1</b>	<b>Cubicle door</b>	1)
	1619 7705 00 •	2	Lock	
	1088 1001 01 •	1	Warning mark	
	1079 9923 72 •	1	Decal	
	1622 6153 00 •	1	Decal	
	1079 9930 40 •	1	Label	
<b>3010</b>	<b>1622 6160 80</b>	<b>1</b>	<b>Door</b>	1)
	1513 0431 00 •	2	Lock	
<b>3020</b>	<b>1622 6161 80</b>	<b>1</b>	<b>Panel assy</b>	1)
<b>3030</b>	<b>1622 6162 80</b>	<b>1</b>	<b>Panel assy</b>	1)
	1622 6116 00 •	1	Decal	
4020	1900 5200 12	1	Graphic controller	
4025	0147 1169 03	6	Hexagon bolt	
4030	0301 2315 00	6	Washer	
4036	0346 1002 10	1	Pipe clamp	
4037	0301 2321 00	2	Washer	
4038	0333 3120 00	1	Washer	
4039	0266 2108 00	1	Nut	
5010	1088 1001 02	1	Warning mark	
5020		1	Decal	
	1622 4631 39		GA 15	
	1622 4631 41		GA 18	
	1622 4631 43	1	GA 22	
5025	1625 8499 00	2	Label	
5030	1622 3274 00	1	Decal	
5040	0690 1125 00	1	Decal	
5050	1622 6165 00	1	Decal	

1-2)

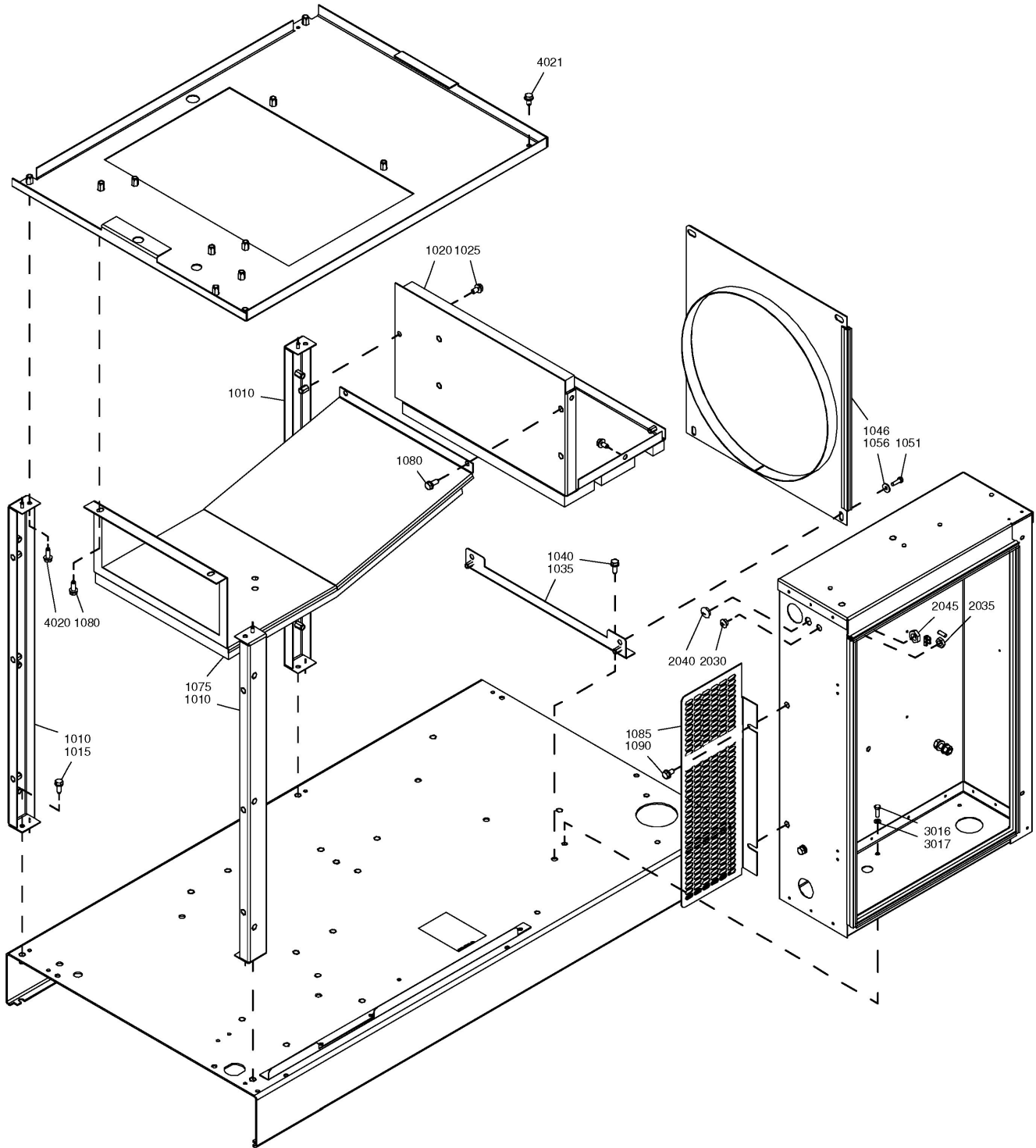
Lined with:

1) Foam: 0395 6001 66 (AR) 25 x 2040 x 1650 (self-adhesive)

2) Foam: 0395 6006 69 (AR) 50 x 2040 x 1650 (self-adhesive)



11



## Bodywork - Baffles

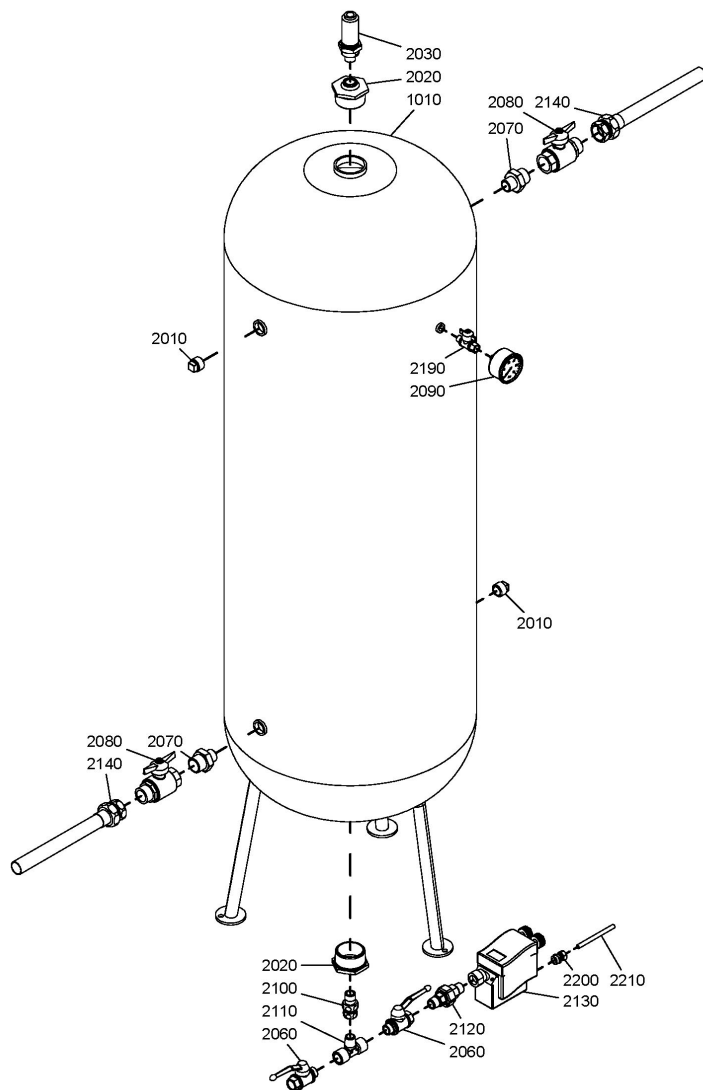
11

Ref.	Part number	Qty	Name	Remarks
1010	1622 4711 82	3	Beam	
1015	0147 1963 08	3	Hexagon bolt	
<b>1020</b>	<b>1622 8579 80</b>	<b>1</b>	<b>Baffle</b>	1)
1025	1079 1472 05	5	Hexagon bolt	
1035	1622 4769 80	1	Baffle	
1040	0147 1963 08	2	Hexagon bolt	
<b>1046</b>	<b>1622 8544 80</b>	<b>1</b>	<b>Baffle</b>	
	1202 6584 00 •	AR	Seal	
1051	0147 1247 03	2	Hexagon bolt	
1056	0300 0276 63	4	Plain washer	
<b>1075</b>	<b>1622 8529 80</b>	<b>1</b>	<b>Baffle</b>	1)
1080	0147 1963 08	4	Hexagon bolt	
1085	1624 2551 00	1	Plate	
1090	1079 1472 05	2	Hexagon bolt	
2030	0697 9810 32	1	Plug	
2035	0697 9809 30	1	Lock nut	
2040	0697 9810 25	1	Plug	
2045	0697 9809 20	1	Lock nut	
3016	0147 1247 03	4	Hexagon bolt	
3017	0301 2321 00	4	Washer	
4020	0147 1963 08	3	Hexagon bolt	
4021	1079 1472 05	1	Hexagon bolt	

- 1) Lined with:  
Foam: 0395 6001 66 (AR) 25 x 2040 x 1650 (self-adhesive)



12

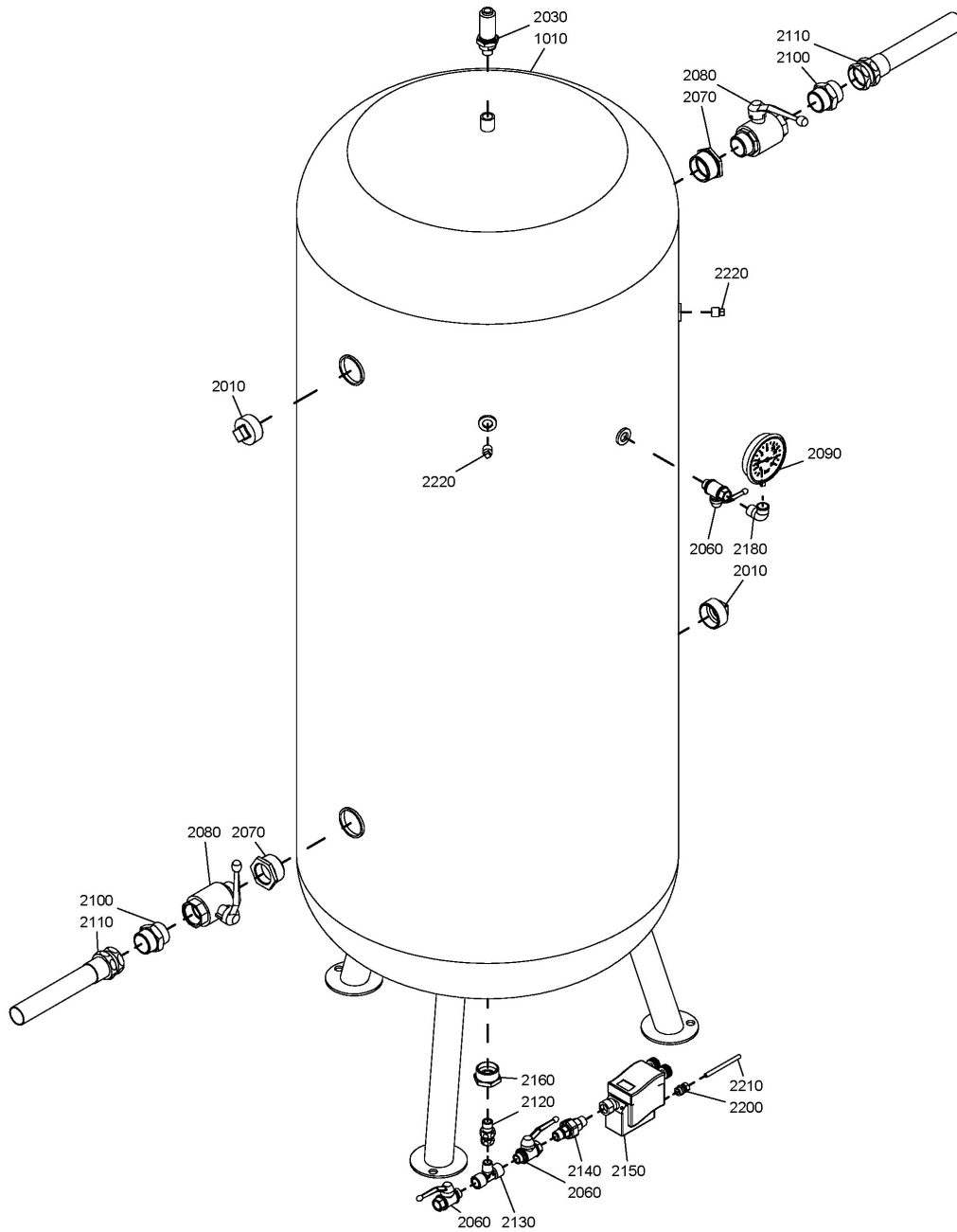


## External Air receiver - Components - 250 Litres, 500 Litres

12

Ref.	Part number	Qty	Name	Remarks
		<b>1</b>	<b>Vessel</b>	
	<b>8101 0208 68</b>		CE 11bar(e) 250 Litres	
	<b>8101 0208 92</b>		CE 11bar(e) 500 Litres	
	<b>8101 0211 97</b>		CE 16bar(e) 250 Litres	
	<b>8101 0212 62</b>		CE 16bar(e) 500 Litres	
	<b>8102 0458 80</b>		MOM 16bar(e) 250 Litres	
	<b>8102 0459 06</b>		MOM 16bar(e) 500 Litres	
1010	•	1	Vessel	
2010	•	2	Plug	
	0686 3205 00		250 Litres	
	0686 3115 03		500 Litres	
2020	0605 4124 03 •	2	Reducer	
2030	•	1	Safety valve	
	0830 1007 96		11bar(e)	
	0830 1008 01		16bar(e)	
2060	0852 0010 14 •	2	Ball valve	
2070	•	2	Nipple	
	0603 5115 03		250 Litres	
	0603 4100 39		500 Litres	
2080	0852 0010 57 •	2	Ball valve	
2090	1503 2729 01 •	1	Pressure gauge	
2100	1617 7123 00 •	1	Coupling	
2110	0581 2025 39 •	1	Tee	
2120	0586 1000 68 •	1	Union	
2130	8102 0432 08 •	1	EWD 50	
2140	1624 0894 00 •	2	Copper stub pipe	
2190	0852 0010 45 •	1	Ball valve	
2200	0581 0228 01 •	1	Pipe coupling	
2210	0070 6002 05 •	AR	Plastic tube	

13



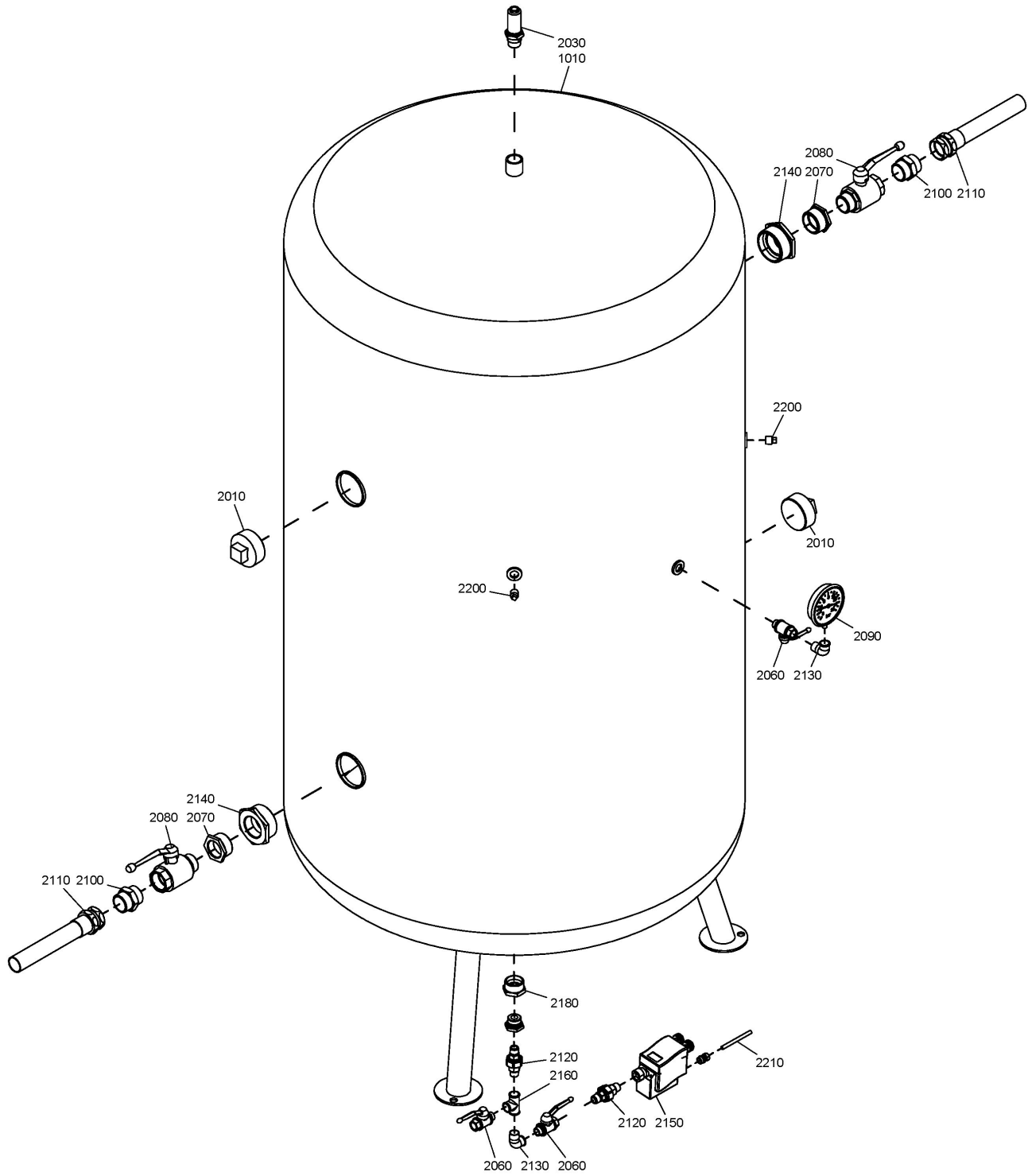
## External Air receiver - Components - 1000 Litres, 1500 Litres

13

Ref.	Part number	Qty	Name	Remarks
		<b>1</b>	<b>Vessel</b>	
	<b>8101 0209 59</b>		CE 11bar(e) 1000 Litres	
	<b>8101 0209 75</b>		CE 11bar(e) 1500 Litres	
	<b>8101 0213 12</b>		CE 16bar(e) 1000 Litres	
	<b>8101 0213 38</b>		CE 16bar(e) 1500 Litres	
	<b>8102 0459 22</b>		MOM 16bar(e) 1000 Litres	
	<b>8102 0459 48</b>		MOM 16bar(e) 1500 Litres	
1010	•	1	Vessel	
2010	0686 3115 03 •	2	Plug	
2030	•	1	Safety valve	
	0830 1007 96		11bar(e) 1000 Litres	
	0830 1007 97		11bar(e) 1500 Litres	
	0830 1008 01		16bar(e) 1000 Litres	
	0830 1008 02		16bar(e) 1500 Litres	
2060	0852 0010 14 •	3	Ball valve	
2070	0605 8536 03 •	2	Reducer	
2080	0852 0010 54 •	2	Valve	
2090	0872 1000 32 •	1	Manometer	
2100	0603 4100 98 •	2	Nipple	
2110	1624 0870 80 •	2	Copper stub pipe	
2120	1617 7123 00 •	1	Coupling	
2130	0581 2025 39 •	1	Tee	
2140	0586 1000 68 •	1	Union	
2150	8102 0432 08 •	1	EWD 50	
2160	0605 8525 03 •	1	Bushing	
2180	0560 1305 03 •	1	Elbow	
2200	0581 0228 01 •	1	Pipe coupling	
2210	0070 6002 05 •	AR	Plastic tube	
2220	0686 3204 00 •	2	Plug	



14



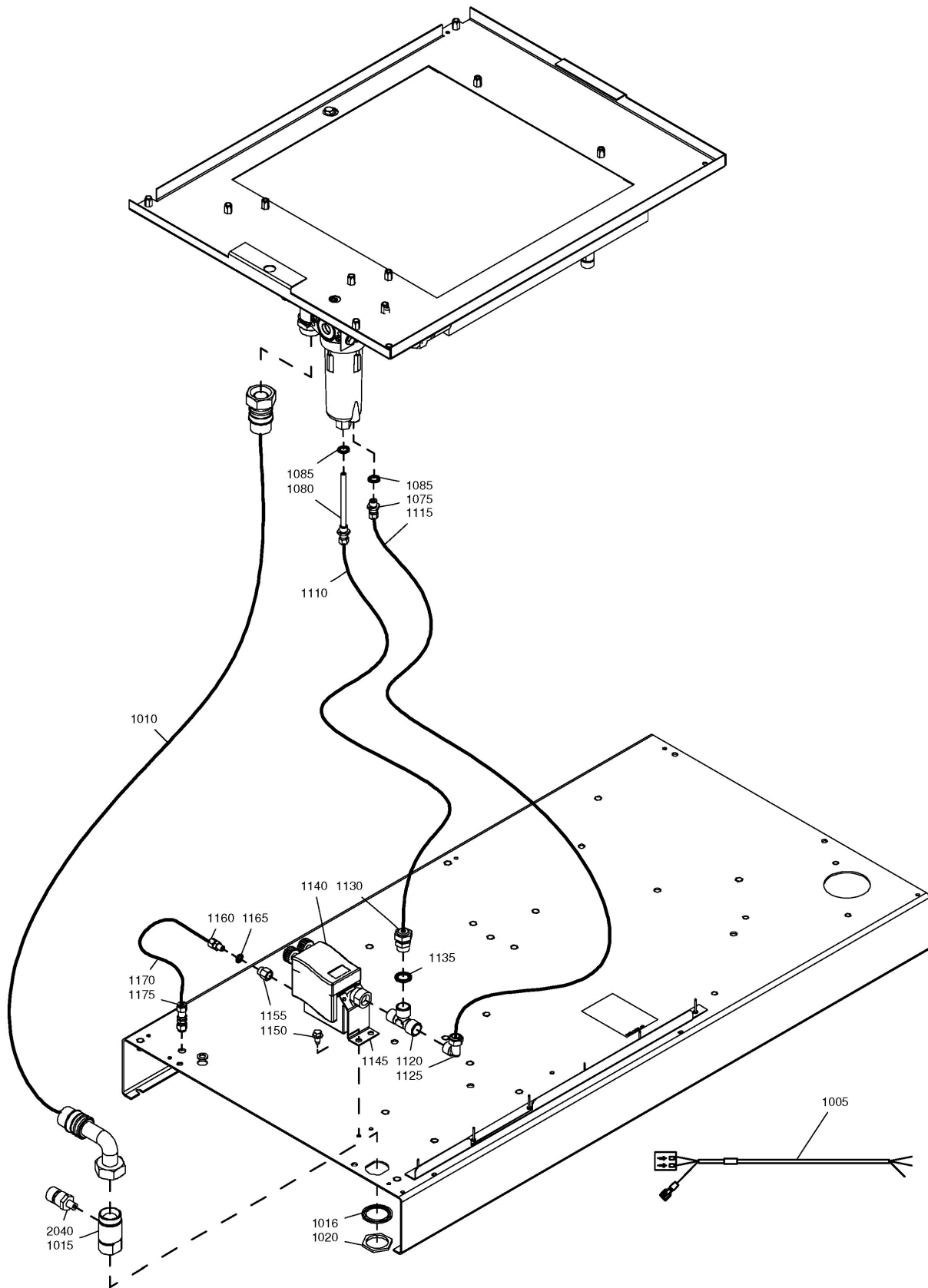
## External Air receiver - Components - 2000 Litres, 3000 Litres

14

Ref.	Part number	Qty	Name	Remarks
		<b>1</b>	<b>Vessel</b>	
	<b>8101 0209 91</b>		CE 11bar(e)	
	<b>8101 0213 53</b>		CE 16bar(e)	
	<b>8102 0463 00</b>		MOM 16bar(e)	
1010	•	1	Vessel	
2010	0686 3115 48 •	2	Plug	
2030		1	Safety valve	
	0830 1007 97		11bar(e)	
	0830 1008 02		16bar(e)	
2060	0852 0010 14 •	3	Ball valve	
2070	0605 8536 03 •	2	Reducer	
2080	0852 0010 54 •	2	Valve	
2090	0872 1000 32 •	1	Manometer	
2100	0603 4100 98 •	2	Nipple	
2110	1624 0870 80 •	2	Copper stub pipe	
2120	0586 1000 68 •	2	Union	
2130	0560 1305 03 •	2	Elbow	
2140	0605 8552 03 •	2	Bushing	
2150	8102 0418 22 •	1	EWD 75	
2160	0564 0005 03 •	1	Tee	
2180	0605 8525 03 •	1	Bushing	
2200	0686 3204 00 •	2	Plug	
2210	0070 6002 14 •	AR	Plastic tube	



15



9820 6060 37-01ed00



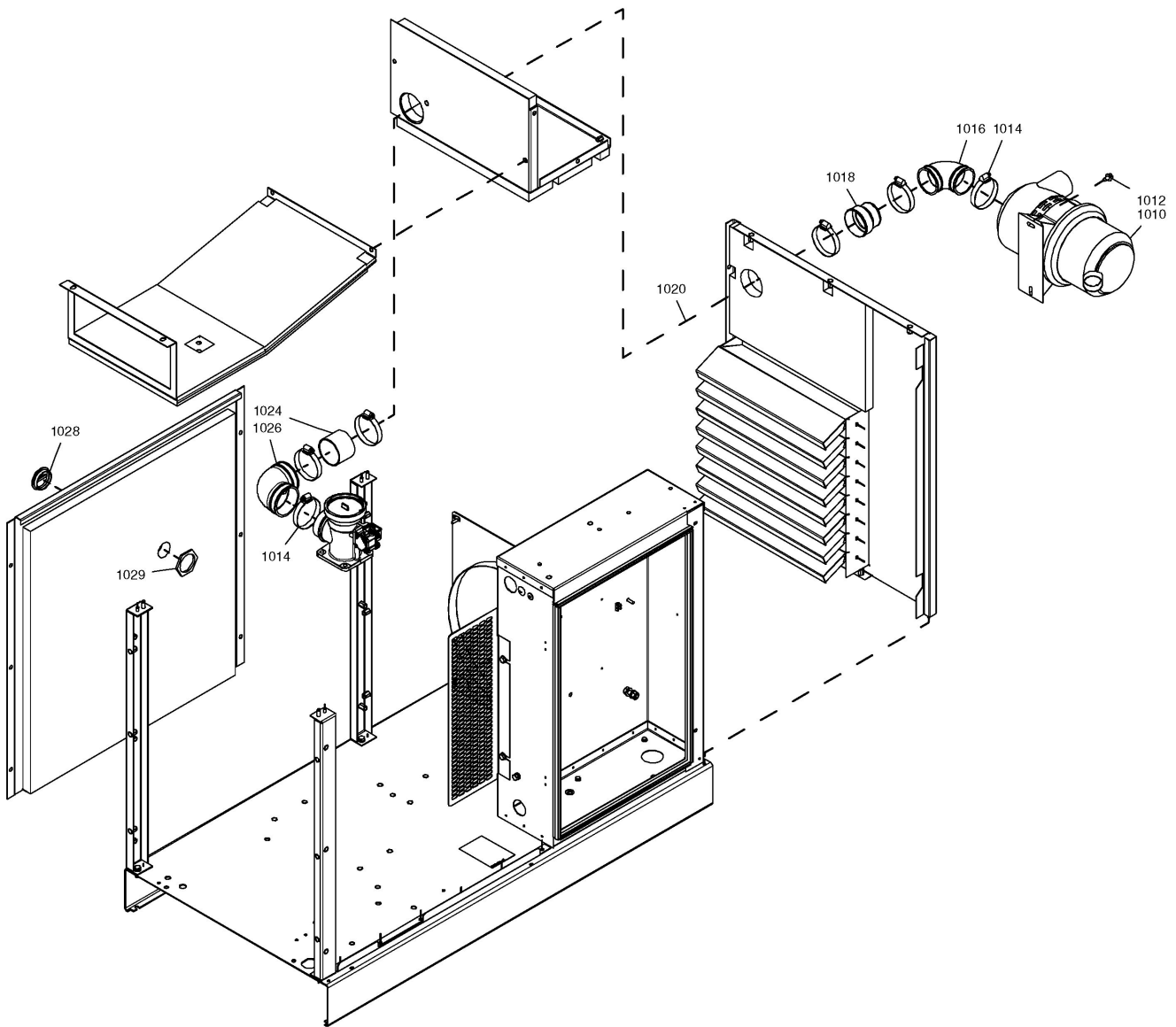
## Standard option - Electronic water drain

15

Ref.	Part number	Qty	Name	Remarks
	<b>8092 2903 06</b>	<b>1</b>	<b>Standard option</b>	
			Electronic Water Drain - Pack	
1005	1622 0629 12 •	1	Wiring	
1010	0574 9911 41 •	1	Hose assembly	
1015	1622 4739 50 •	1	Outlet	
1016	0661 1000 62 •	1	Seal	
1020	0697 9809 06 •	1	Lock nut	
1075	0581 0000 35 •	1	Coupling	
1080	1613 8084 00 •	1	Pipe coupling	
1085	0661 1000 38 •	2	Seal washer	
1110	0070 6002 05 •	AR	Plastic tube	
1115	0070 6002 06 •	AR	Plastic tube	
1120	1503 2566 13 •	1	Tee	
1125	0581 1200 29 •	1	Elbow coupling	
1130	0581 0000 73 •	1	Pipe coupling	
1135	0661 1000 39 •	1	Washer	
1140	1613 8913 02 •	1	EWD 50	
1145	1622 0833 00 •	1	Support	
1150	0226 0301 00 •	2	Screw	
1155	0607 1151 05 •	1	Reducing socket	
1160	0581 0000 38 •	1	Pipe coupling	
1165	0661 1000 42 •	1	Seal washer	
1170	0070 6002 05 •	AR	Plastic tube	
1175	0581 0000 55 •	1	Pipe coupling	
2040	1089 0575 54 •	1	Press.Transducer	



16

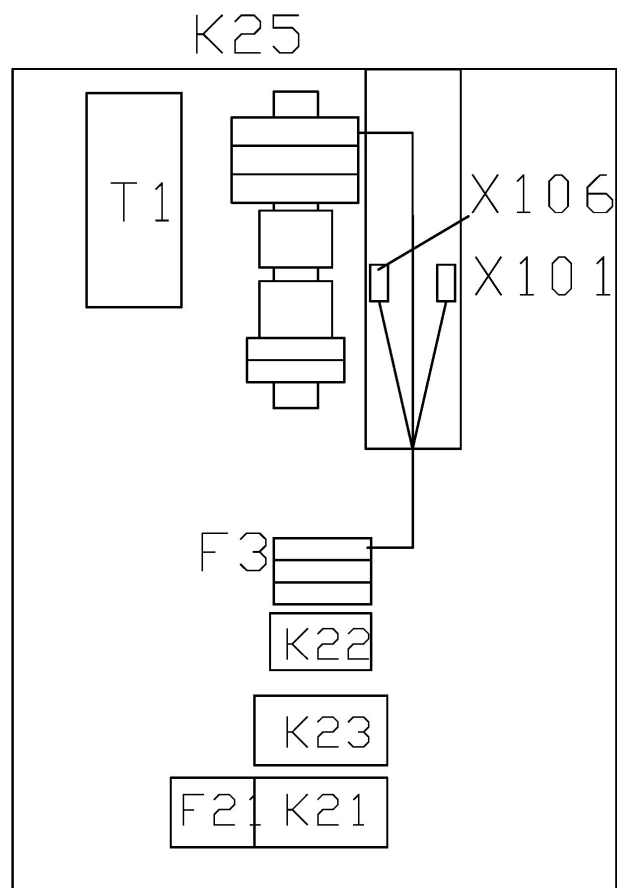


## Standard option - Heavy duty filter

16

Ref.	Part number	Qty	Name	Remarks
	<b>8092 2915 51</b>	<b>1</b>	<b>Standard option</b>	
			Heavy duty filter	
<b>1010</b>	<b>1622 1331 80</b> •	<b>1</b>	<b>Air filter assembly</b>	
	1622 1331 00 ••	1	Filter element	
	1615 6958 00 ••	1	Support	
1012	0226 0301 00 •	2	Screw	
1014	0347 6114 00 •	6	Hose clip	
1016	1622 0174 00 •	1	Elbow	
1018	1622 0173 00 •	1	Adapter	
1020	1622 6138 00 •	1	Hose	
1024	1622 4780 00 •	1	Tube	
1026	1622 4741 00 •	1	Air inlet	
1028	0697 9810 30 •	1	Plug	
1029	0697 9809 05 •	2	Lock nut	

17

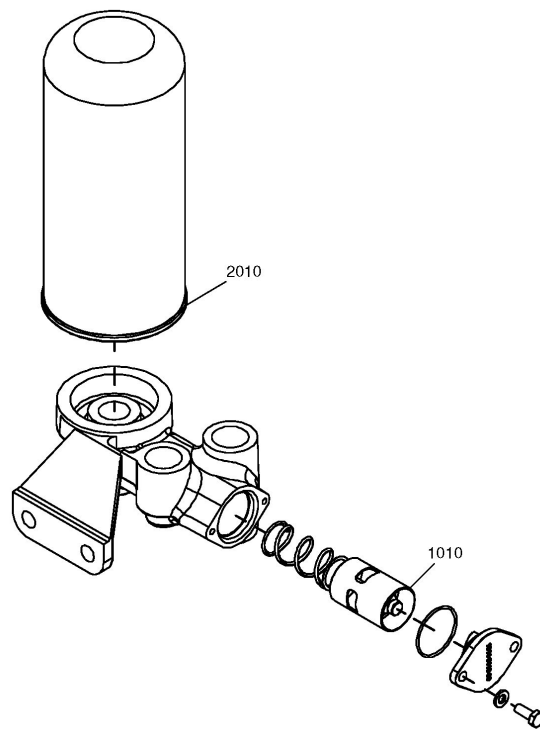


**Standard option - Phase sequence relay****17**

Ref.	Part number	Qty	Name	Remarks
	<b>8092 2902 07</b>	<b>1</b>	<b>Standard option</b>	
			Phase sequence relay	
	<b>1900 2320 21</b>		Option module	
L3	0694 5285 25 •	1	Cable lug	
X101	1088 0015 16 •	2	Connector pin	
X101	1088 0015 22 •	1	Connector	
X106	1088 0031 22 •	1	Connector	
F3	1089 0612 01 •	1	Fuse holder	
F3	1089 0612 22 •	1	Fuse	
K25	1089 9461 07 •	1	Phase seq. relay	



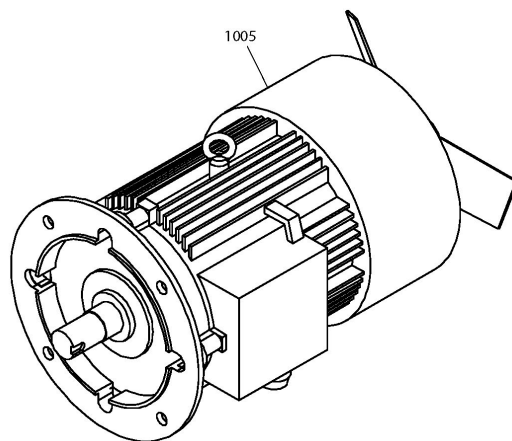
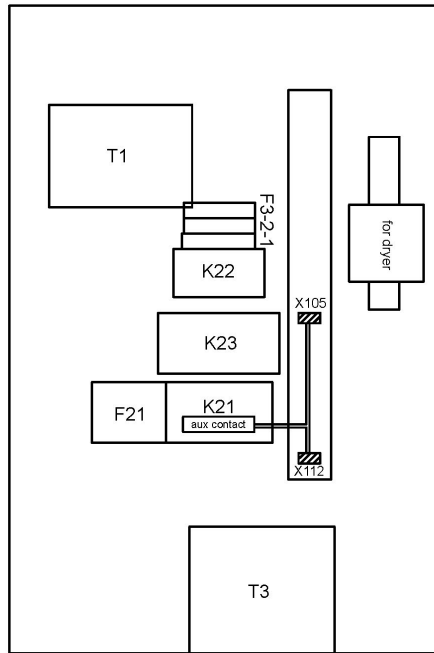
18



**Standard option - Tropical thermostat****18**

Ref.	Part number	Qty	Name	Remarks
	<b>8092 2903 89</b>	<b>1</b>	<b>Standard option</b>	
			Tropical thermostat	
1010	1622 7064 03	1	Thermostatic valve 75°C	
2010		1	Oil filter	
	1622 7837 00		8000hrs	

19



## Standard option - Anti-condensation heaters

19

Ref.	Part number	Qty	Name	Remarks
	<b>1900 2322 31</b>	<b>1</b>	<b>Option heater</b>	
1X112	1088 0037 34 •	1	Connector	
2X105	1088 0037 62 •	1	Connector	
2X112	1088 0037 66 •	1	Connector	
3K21	1089 9415 08 •	1	Contact block	
1005		1	Motor	
	1080 4251 41		GA 15 400V/50Hz	
	1080 4251 42		GA 15 400V/60Hz	
	1080 4252 41		GA 18 400V/50Hz	
	1080 4252 42		GA 18 400V/60Hz	
	1080 4253 41		GA 22 400V/50Hz	
	1080 4253 42		GA 22 400V/60Hz	



+7(916) 033-41-41



[apsair@apsair.ru](mailto:apsair@apsair.ru)

[apsair.ru](http://apsair.ru)