

Atlas Copco Stationary Air Compressors

GA 15 VSD, GA 18 VSD, GA 22 VSD, GA 30 VSD
Elektronikon® II regulator -
WorkPlace / WorkPlace Full-feature

Parts list

From following serial No. onwards :
API - 423 114

No. 2930 7051 00

2007 -06



<https://apsair.ru>

Atlas Copco

Contents
Inhoud
Innehåll
Inhaltsverzeichnis
Table des matières
Indice

Indice
Innehållsförteckning
Indice
Inhaltsverzeichnis
Sisällysluettelo

Drive arrangement
Aandrijfuitvoering
Drive arrangement
Antriebsanordnung
Dispositif d'entraînement
Disposición de accionamiento
Disposizione di azionamento
Arrangement
Disposição de accionamento
Drivarrangement
Rakenne 1

Air flow
Luchtstroming
Luftflöde
Luftstrom
Flux d'air
Flujo de aire
Flusso d'aria
Luftflow
Fluxo de ar
Luftstrøm
Ilman virtaus
- Common 2
- Air outlet - WorkPlace 3
- Air outlet - WorkPlace Full feature 4
- WSD connection - WorkPlace Full feature 5

Air receiver
Luchtketel
Luftbehållare
Luftbehälter
Réservoir d'air
Depósito de aire
Serbatoio dell'aria
Oliebeholder
Reservatório de ar
Luftbeholder
Ilmasäiliö 6

Oil system
Oliesysteem
Oljesystem
Ölssystem
Système d'huile
Sistema de aceite
Sistema dell'olio
Oliesystem
Sistema de óleo
Oljesystem
Voitelujärjestelmä 7

Air dryer
Luchtdroger
Lufttorkare
Lufttrockner
Sécheur d'air
Secador de aire
Essiccatore d'aria
Lufttørrer
Secador de ar
Lufttørker
Kuivain
- Full feature 8

By-pass air dryer
Omloopleiding
Förbildningskanal
Umgehungsleitung
Tuyaux de by-pass
Tubería de derivación
By-pass
By-pass
Tubagem de derivação
Omløpsrør
Ohitus
- Full feature 9

Regulating system
Regelsysteem
Reglersystem
Regelsystem
Système de régulation
Sistema de regulación
Sistema di regolazione
Reguleringssystem
Sistema de regulação
Reguleringssystem
Säätöjärjestelmä 10

Cubicle
Kast
Skåp
Schaltschrank
Armoire
Armario
Armadio elettrico
Elskab
Quadro
Skap
Kotelo

- Control panel - 200-230V, 380-500V/50-60Hz - IEC ... 11
- Convertor - 200-230V - 380-500V/50-60Hz - IEC 12
- Control panel - 380-500V/50-60Hz - CSA/UL 13
- Convertor - 460-575V/50-60Hz - CSA/UL 14

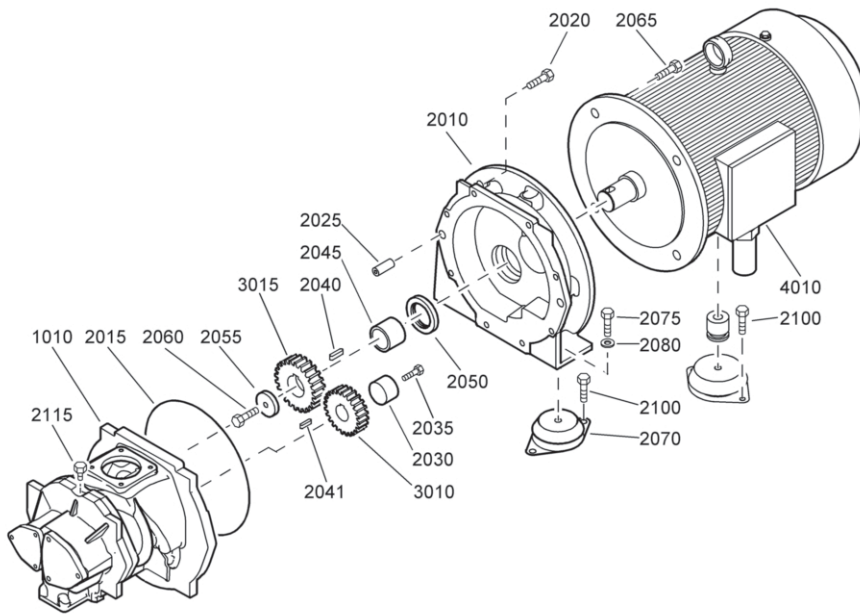
Bodywork	
Carrosserie	
Karosseri	
Karosserie	
Capotage	
Carrocería	
Cappottatura	
Karosseri	
Carroceria	
Kabinett	
Kotelo	15

Standard option	
Standaard optie	
Standard tilläggsutrustning	
Standard Option	
Option standard	
Opción estándar	
Opzione standard	
Standard ekstraudstyr	
Opção standard	
Standard tilleggsutstyr	
Lisävaruste	
- Energy recovery system	16
- Electronic water drain - Pack	17
- Electronic water drain - Full-feature	18
- Oil Separator condensate Drain - Pack	19
- Oil Separator condensate Drain - Full-feature	20
- Main switch	21
- Rain protection	22
- Heavy duty filter	23
- DD/PD Filter kit - Full-feature	24
- DD Filter kit - Full-feature	25
- DD/PD filter	26

Service kits	
Service kits	
Service kits	
Service Kits	
Service kits	
Service kits	
Kit per la manutenzione	
Service kits	
Conjuntos de reparação	
Servicesett	
Huoltotarvikesarjat	



1



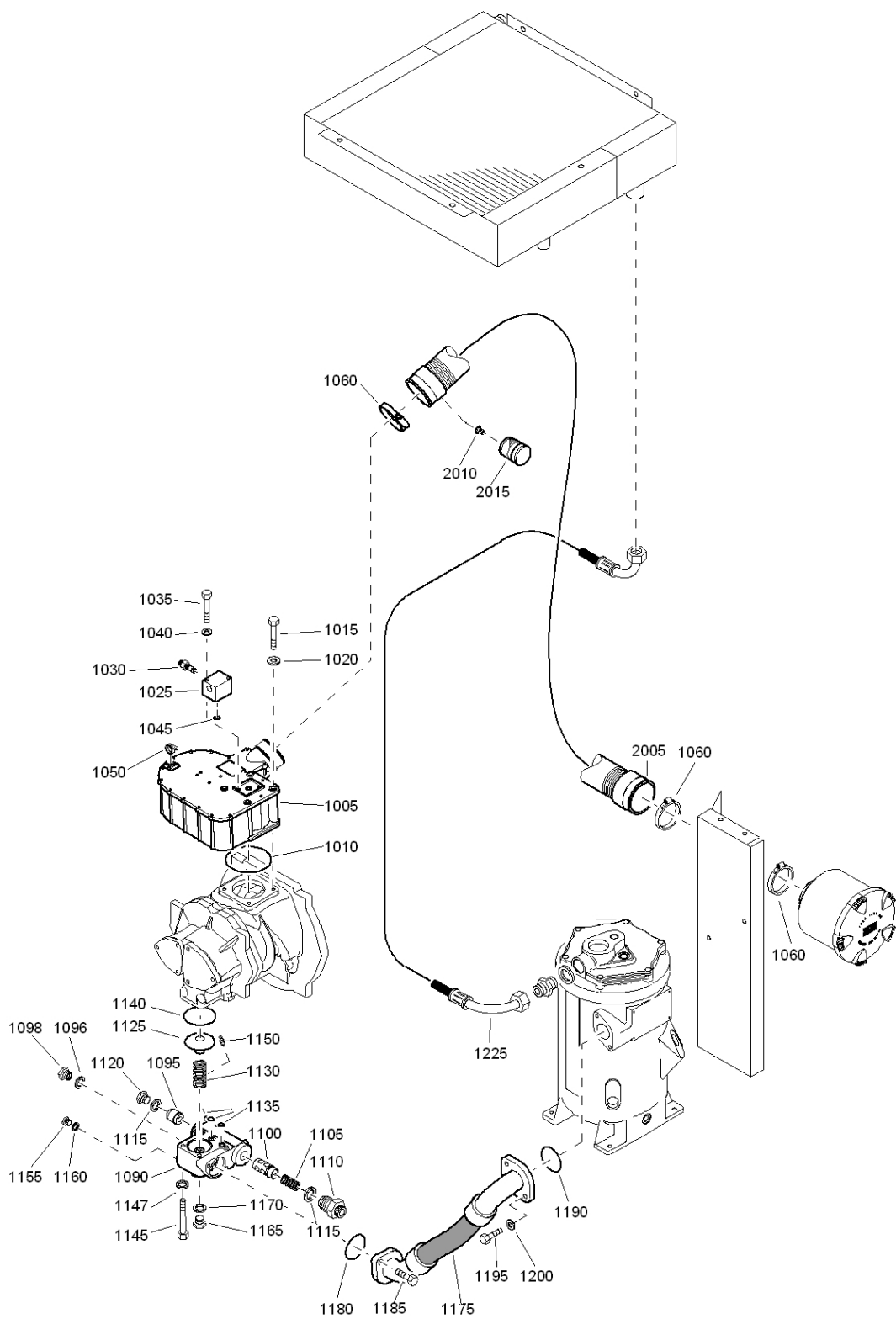
63030_01

Drive arrangement

Ref.	Part number	Qty	Name	Remarks	Ref.	Part number	Qty	Name	Remarks
1010	1616 6712 90	1	Service stage		2075	0147 1363 03	2	Hexagon bolt	
2010	1622 0007 00	1	Gear casing		2080	0301 2344 00	2	Washer	
2015	0663 2103 22	1	O-ring		2115	1619 6032 00	2	Nipple(spm)	
2020	0147 1364 03	8	Hexagon bolt		3010	1622 0051 00	1	Gear wheel	
2025	0101 1951 40	2	Pin		3015	1622 0052 00	1	Gear wheel	
2030	1622 0138 00	1	Spacer		4010		1	El.motor	
2035	0147 1368 03	1	Hexagon bolt			1080 4239 04		GA 15 VSD 200V	
2040	0337 0009 42	1	Parallel key			1080 4239 07		GA 15 VSD 400V	
2041	0337 0009 45	1	Parallel key			1080 4239 08		GA 15 VSD 575V	
2045	1622 0009 00	1	Bushing			1080 4039 03		GA 18 VSD 200V	
2050	1622 0919 00	1	Lipseal			1080 4039 01		GA 18 VSD 400V	
2055	1622 0010 00	1	Washer			1080 4039 02		GA 18 VSD 500V	
2060	0147 1478 03	1	Hexagon bolt			1080 4039 14		GA 22 VSD 200V	
2065	0147 1475 03	4	Hexagon bolt			1080 4039 06		GA 22 VSD 400V	
2070	1613 6752 01	2	Antivibr.pad			1080 4039 13		GA 30 VSD 200V	
2075	0147 1363 03	2	Hexagon bolt			1080 4039 11		GA 30 VSD 400V	
2075	0147 1363 03	2	Hexagon bolt			1080 4039 12		GA 30 VSD 500V	



2



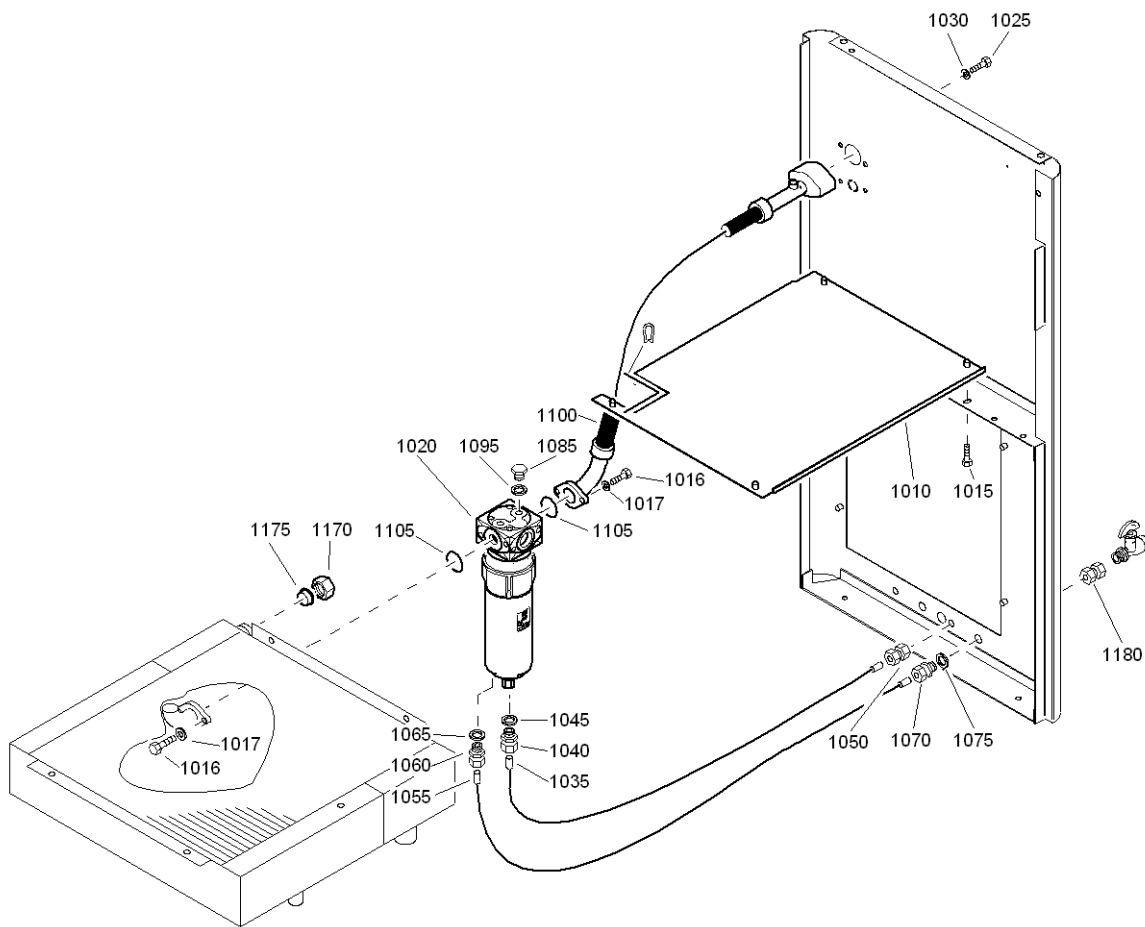
62428_02

Air flow - Common

2

Ref.	Part number	Qty	Name	Remarks	Ref.	Part number	Qty	Name	Remarks
1005	1622 2900 00	1	Inlet arrestor		1130	1616 6055 00	1	Spring	
1010	0663 7142 00	1	O-ring		1135	0663 2111 35	3	O-ring	
1015	0147 1343 03	4	Hexagon bolt		1140	0663 2109 68	1	O-ring	
1020	0300 0275 01	4	Plain washer		1145	0147 1332 03	4	Hexagon bolt	
1025	1622 2901 00	1	Valve housing		1147	0301 2335 00	4	Washer	
1030	1622 2902 00	1	Nozzle		1150	0180 1204 00	1	Set screw slott	
1035	0147 1254 03	2	Hexagon bolt		1155	0686 3716 01	1	Hexagon plug	
1040	0301 2321 00	2	Washer		1160	0661 1000 38	1	Seal washer	
1045	0663 7119 00	1	O-ring		1165	0686 3716 30	1	Hexagon plug	
1050	1088 1301 03	1	Cable strip		1170	0661 1000 40	1	Seal washer	
1060	0347 6114 00	3	Hose clip		1175	1622 0910 00	1	Hose assembly	
1090	1613 8947 00	1	Oil stop / check valve		1180	0663 3134 00	1	O-ring	
1095	1613 2359 00	1	Piston		1185	0147 1325 03	2	Hexagon bolt	
1096	0661 1000 44	1	Seal washer		1190	0663 7136 00	1	O-ring	
1098	0605 8303 03	1	Bushing		1195	0147 1325 03	2	Hexagon bolt	
1100	1613 8907 00	1	Valve body		1200	0301 2344 00	2	Washer	
1105	1613 2357 00	1	Compr.spring		1225	1622 0590 00	1	Hose assembly	
1110	1622 0911 00	1	Nozzle oil injection			1622 1788 80	1	Hose assembly	
1115	0661 1000 44	1	Seal washer		2005	1622 1788 00	• 1	Hose	
1120	0686 3716 07	1	Hexagon plug		2010	1615 6960 00	• 1	Nipple	
1125	1613 8951 00	1	Valve		2015	1613 7912 01	• 1	Indicator	

3



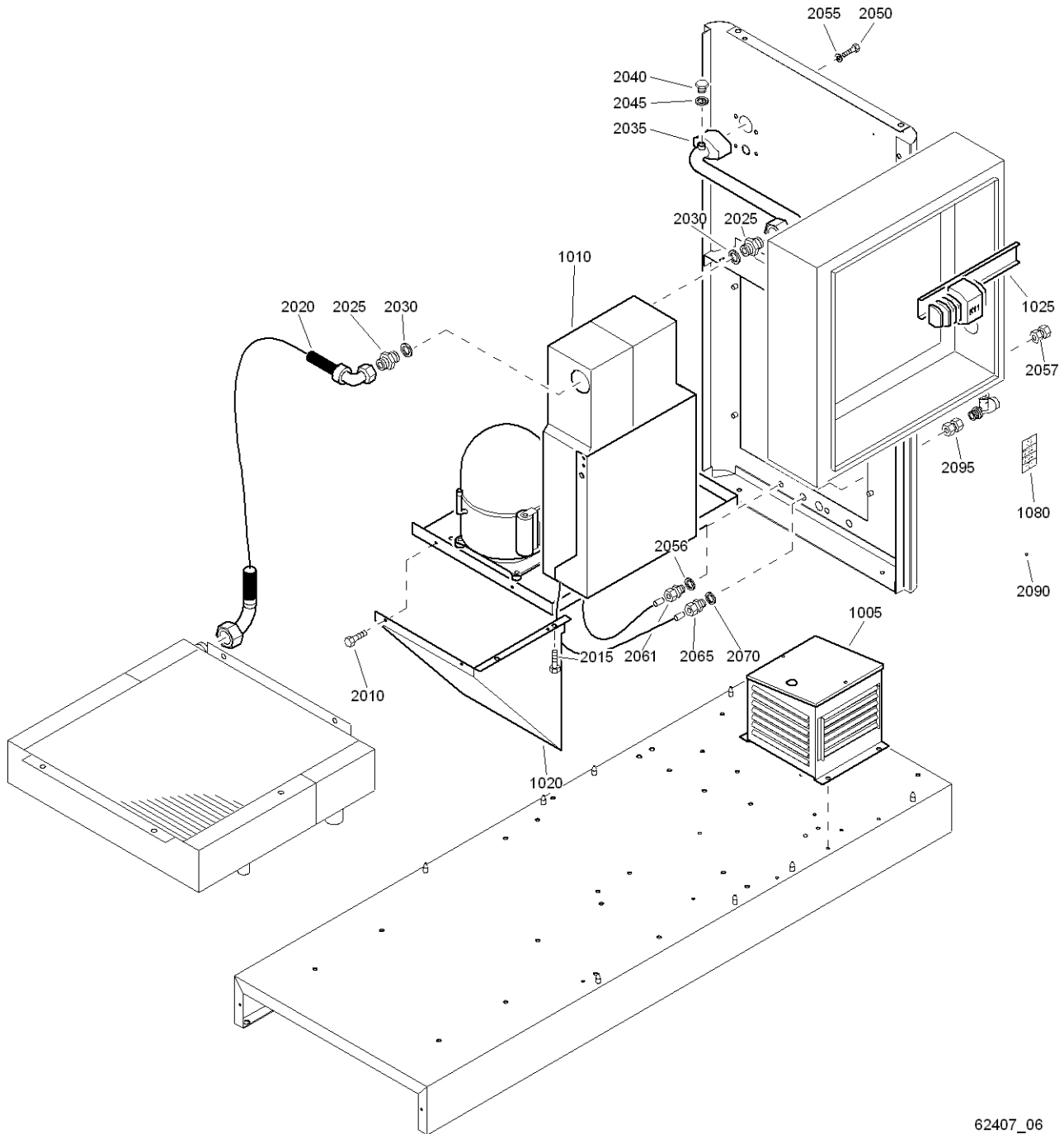
61664_06

Air flow - Air outlet - WorkPlace

3

Ref.	Part number	Qty	Name	Remarks	Ref.	Part number	Qty	Name	Remarks
1010	1622 0933 80	1	Plate ass'y	1)	1065	0661 1000 38	1	Seal washer	
	1619 2758 00	•	AR Seal		1070	0581 0000 33	1	Coupling	
1015	0147 1963 08	4	Hexagon bolt		1075	0653 1046 00	1	Flat gasket	
1016	0147 1325 03	4	Hexagon bolt		1085	0686 3716 01	2	Hexagon plug	
1017	0301 2335 00	4	Washer		1095	0661 1000 38	2	Seal washer	
1020	1613 8224 80	1	WSD 25		1100	1622 0928 00	1	Hose ass'y	
	2901 0712 00	••	1 Drain valve kit		1105	0663 3133 00	2	O-ring	
	2901 0748 00	••	1 Separation kit		1170	0571 0035 22	1	Ball nipple	
1025	0147 1961 84	2	Hexagon bolt		1175	1622 0935 00	1	Nipple closed	
1030	0301 2335 00	2	Washer		1180	0581 0000 43	1	Coupling	
1035	0070 6002 05	AR	Plastic tube						
1040	0581 0000 35	1	Coupling						
1045	0661 1000 38	1	Seal washer						
1050	0581 0000 55	1	Pipe coupling						
1055	0070 6002 04	AR	Plastic tube						
1060	0581 0000 34	1	Coupling						
					1)			Lined with / Bekleed met / Beklädd med / Ausgekleidet mit / Garnir de / Rivestido de / Allineato con / Foret med / Revestido com / Kledd med / Vuorattu : Foam : 0395 6001 67 (AR) 30 x 2040 x 1650 self-adhesive	

4



62407_06

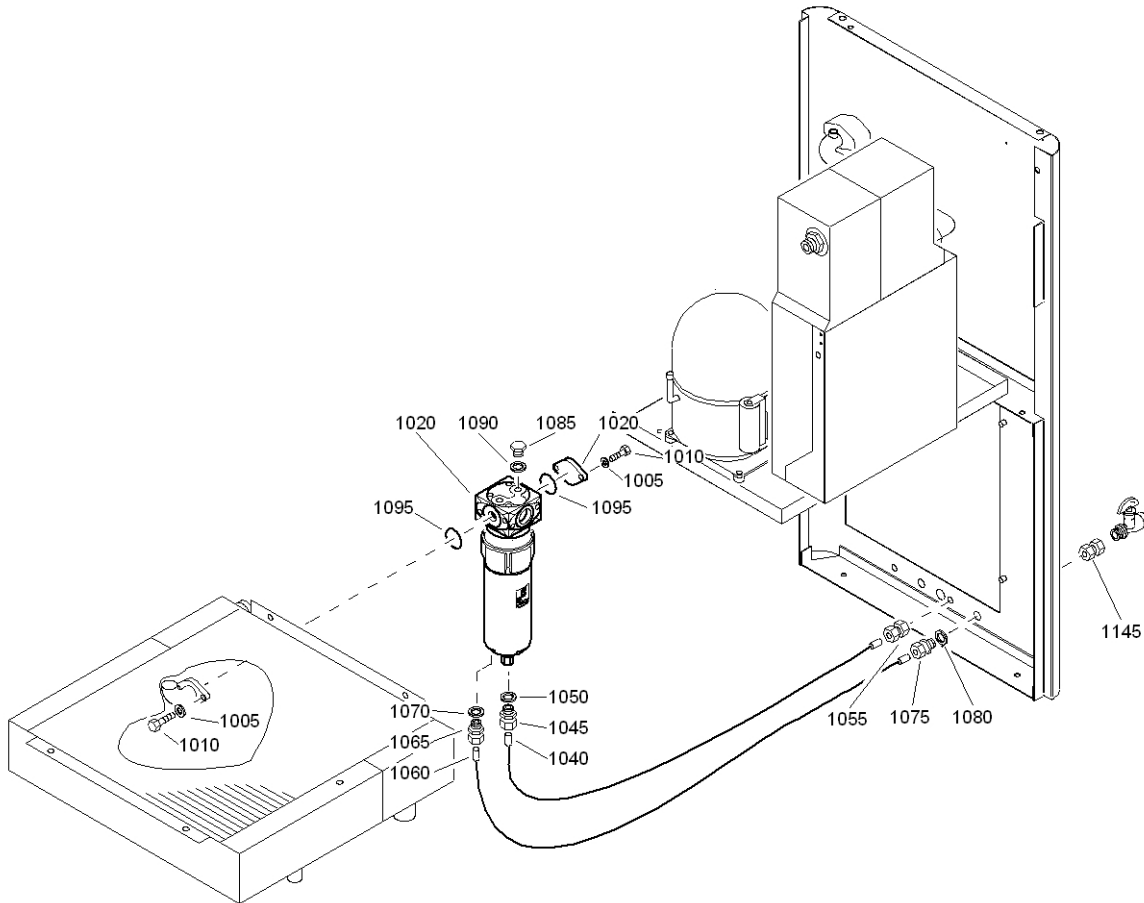
Air flow - Air outlet - WorkPlace - Full-feature

4

Ref.	Part number	Qty	Name	Remarks	Ref.	Part number	Qty	Name	Remarks
1005		1	Trafo assembly		2025	2250 4983 00	2	Nipple	
	1900 2602 12		230-380-440-460-575V/60Hz		2030	0661 1000 44	2	Seal washer	
	1900 2602 13		380-400-415-440-480-500- 525-550-660-690V/50-60Hz		2035	1622 0076 10	1	Pipe	
	1900 2602 11		400V/50Hz		2040	0686 3716 01	1	Hexagon plug	
1010	<<< >>>	1	Air dryer		2045	0661 1000 38	1	Seal washer	
1020	1622 0135 00	1	Baffle		2050	0147 1961 84	2	Hexagon bolt	
1025	<<< >>>	1	Dryer rail		2055	0300 0274 34	2	Washer	
1080		1	Label fuse values		2056	0661 1000 38	1	Seal washer	
	1079 9921 83		GA 18 VSD 575V/60Hz		2057	0581 0000 87	1	Pipe coupling	
			CSA/UL		2061	0581 0000 35	1	Coupling	
2010	1619 2765 01	3	Screw		2065	0581 0000 33	1	Coupling	
2015	1619 2766 00	4	Bolt		2070	0653 1046 00	1	Flat gasket	
2020	1622 0073 00	1	Hose assembly		2090	1503 2467 00	AR	Seal cord	
					2095	0581 0000 43	1	Coupling	

5

Air flow - WSD connection - WorkPlace Full feature



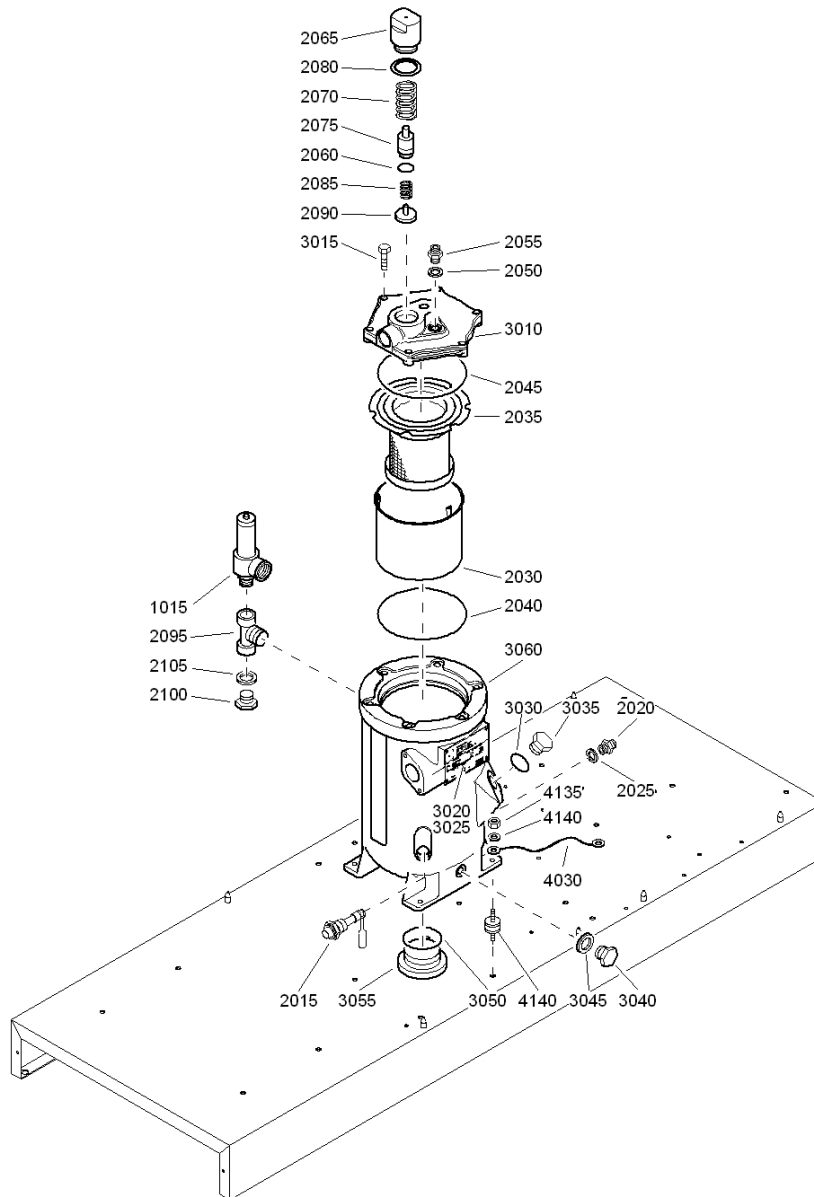
61666_06

61666_06

Ref.	Part number	Qty	Name	Remarks	Ref.	Part number	Qty	Name	Remarks
1005	0147 1325 03	4	Hexagon bolt		1060	0070 6002 04	AR	Plastic tube	
1010	0301 2335 00	4	Washer		1065	0581 0000 34	1	Coupling	
1020	1622 0929 00	1	Plate		1070	0661 1000 38	1	Seal washer	
1025	1613 8224 80	1	WSD 25		1075	0581 0000 33	1	Coupling	
	2901 0712 00	•• 1	Drain valve kit		1080	0653 1046 00	1	Flat gasket	
	2901 0748 00	•• 1	Separation kit		1085	0686 3716 01	2	Hexagon plug	
1040	0070 6002 05	AR	Plastic tube		1090	0661 1000 38	2	Seal washer	
1045	0581 0000 35	1	Coupling		1095	0663 3133 00	2	O-ring	
1050	0661 1000 38	1	Seal washer		1145	0581 0000 43	1	Coupling	
1055	0581 0000 55	1	Pipe coupling						



Air receiver



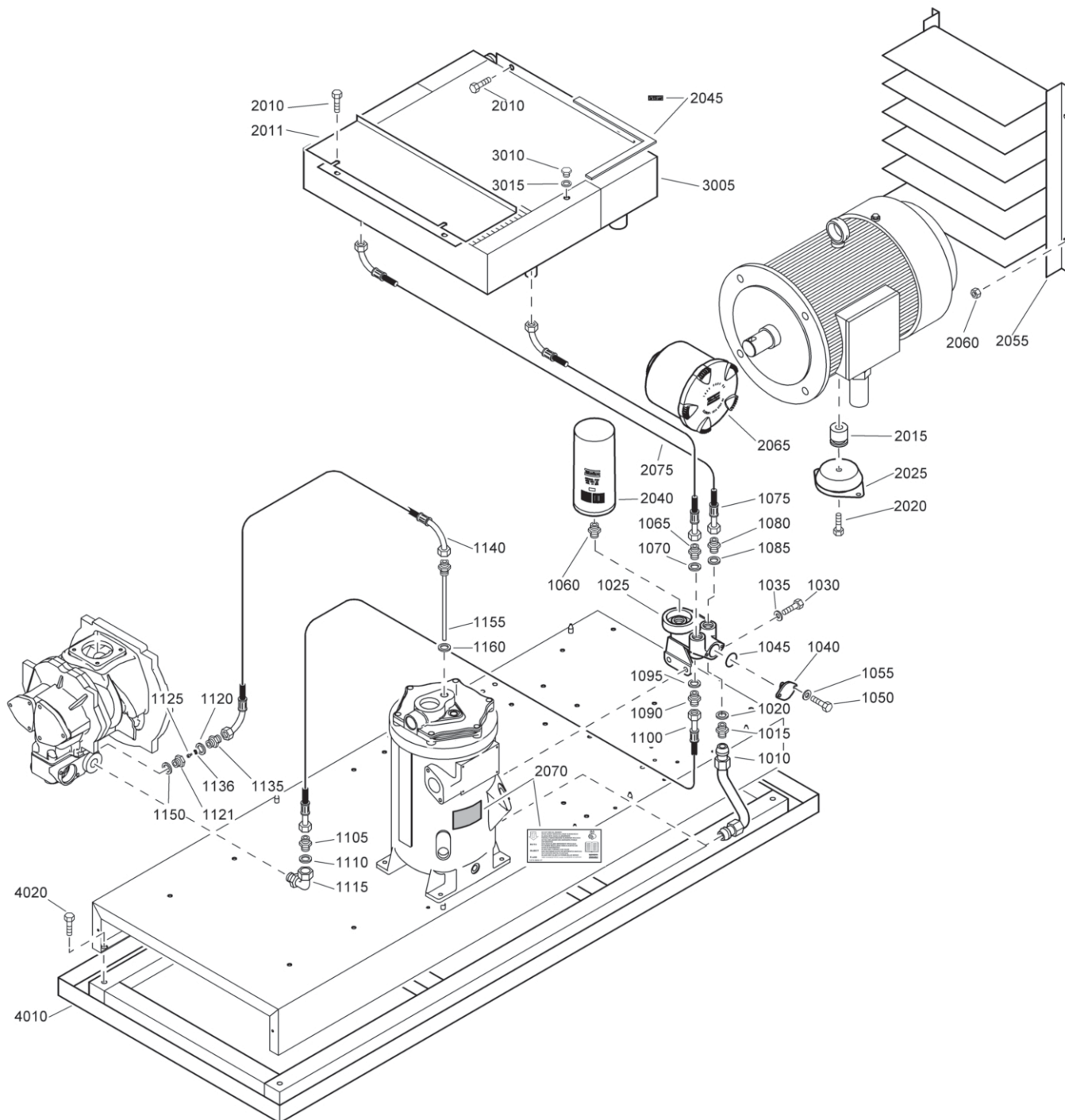
61657_03

61657_03

Ref.	Part number	Qty	Name	Remarks	Ref.	Part number	Qty	Name	Remarks
1015	0832 1000 79	1	Safety valve		2095	0564 0000 60	• 1	Tee	
	0830 1008 38		13 bar(e)		2100	0686 3716 02	• 1	Hexagon plug	
			175 psig		2105	0661 1000 39	• 1	Seal washer	
	1622 0589 99	1	Vessel ass'y		1622 0549 99	• 1	Oil separator		
2015	1613 9020 00	• 1	Level gauge		3010	1622 0520 00	•• 1	Valve housing	
2020	1079 5840 27	• 1	Hex.nipple		3015	0147 1958 86	•• 6	Hexagon bolt	
2025	0661 1000 43	• 1	Seal washer		3020	1622 0003 00	•• 1	Dataplate	
2030	1622 0016 00	• 1	Shield		3025	0244 4184 00	•• 4	Drive screw	
2035	1622 0516 00	• 1	Oil sep element		3030	1202 8992 00	•• 1	Plug	
2040	0663 2111 24	• 1	O-ring		3035	0663 2102 15	•• 1	O-ring	
2045	0663 2111 23	• 1	O-ring		3040	0686 3716 30	•• 1	Hexagon plug	
2050	0661 1000 40	• 1	Seal washer		3045	0661 1000 40	•• 1	Seal washer	
2055	1079 5840 14	• 1	Nipple		3050	0663 2111 18	•• 1	O-ring	
2060	0663 2101 30	• 1	O-ring		3055	1622 0001 00	•• 1	Plug	
2065	1622 0521 01	• 1	Housing (m.p.v.)		3060	1622 0000 00	•• 1	Vessel	
2070	1622 0524 00	• 1	Spring		4030	1613 8967 03	1	Cable	
2075	1622 0522 00	• 1	Piston		4130	2235 2544 00	4	Damper	
2080	0661 1000 46	• 1	Seal washer		4135	0266 2110 00	4	Nut	
2085	1622 0525 00	• 1	Spring		4140	0301 2335 00	4	Washer	
2090	1622 0523 00	• 1	Valve disk						



7



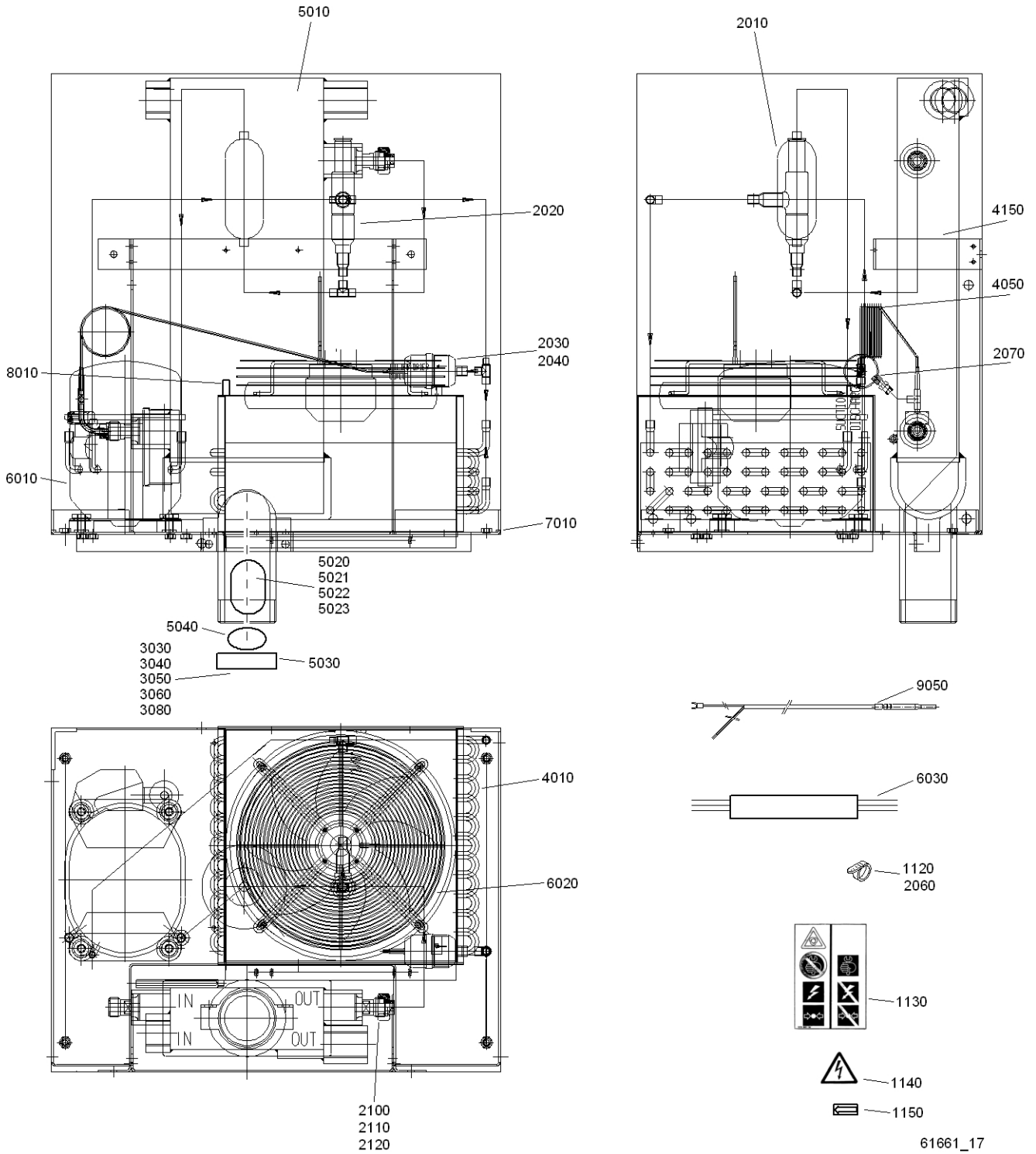
63061_05

Oil system

Ref.	Part number	Qty	Name	Remarks	Ref.	Part number	Qty	Name	Remarks
1010	1622 0071 00	1	Pipe		2010	0147 1963 08	4	Hexagon bolt	
1015	1079 5840 27	1	Hex.nipple		2011		1	Plate	
1020	0661 1000 43	1	Seal washer			1622 0938 02		GA 15 VSD	
1025	1613 6883 03	1	Valve housing			1622 0938 00		GA 18 VSD	
1030	0147 1362 03	2	Hexagon bolt			1622 0938 01		GA 22 VSD	
1035	0301 2344 00	2	Washer		2015	1622 0012 00	1	Spacer	
1040	1614 6118 00	1	Flange		2020	0147 1376 03	1	Hexagon bolt	
1045	0663 2101 95	1	O-ring		2025	1613 6752 16	1	Antivibr.pad	
1050	0147 1246 03	2	Hexagon bolt		2040	1613 6105 00	1	Oil filter	
1055	0301 2321 00	2	Washer		2045	1619 5188 00	AR	Seal	
1060	1619 3770 00	1	Nipple		2055 1622 0364 80	1	Baffle ass'y	1)	
1065	1079 5840 27	1	Hex.nipple		2060	0266 7024 02	4	Nut	
1070	0661 1000 43	1	Seal washer		2065 1622 0004 00	1	Filter housing		
1075	0574 9911 14	1	Hose assembly			1613 8720 00	• 1	Filter element	
1080	1079 5840 27	1	Hex.nipple		2070	1079 9909 57	1	Label rotoinject	
1085	0661 1000 43	1	Seal washer		2075	0574 9911 17	1	Hose assembly	
1090	1079 5840 27	1	Hex.nipple				1	Combicooler	
1095	0661 1000 43	1	Seal washer			1622 0940 00		GA 15 VSD	
1100	0574 9910 10	1	Hose assembly			1622 0940 00		GA 18 VSD	
1105	1079 5840 21	1	Hexagon nipple			1622 3455 00		GA 22 VSD	
1110	0661 1000 39	1	Seal washer			1622 0927 00		GA 30 VSD	
1115	1503 2565 04	1	Elbow		3005		• 1	Combicooler	
1120	0661 1000 38	1	Seal washer		3010	0686 3716 01	• 1	Plug	
1121	1622 0920 00	1	Bushing		3015	0653 1062 00	• 1	Gasket	
1125	1613 9005 01	1	Non return valve					Standard option	
1135	1622 0164 00	1	Nipple		4010	1622 0918 00	1	Oil containing frame	
1136	0663 2108 11	1	O-ring		4020	0147 1398 03	4	Hexagon bolt	
1140	0574 9914 16	1	Hose assembly						
1150	0661 1000 42	1	Seal washer		1)			Lined with / Bekleed met / Beklädd med / Ausgekleidet mit / Garnir de / Rivestido de / Allineato con / Foret med / Revestido com / Kledd med / Vuorattu :	
1155	1622 0017 10	1	Scavenge line					Foam : 0395 6001 69 (AR) 50 x 2040 x 1650	
1160	0653 1100 00	1	Flat gasket					self-adhesive	
2010	0147 1963 08	4	Hexagon bolt						
1160	0653 1100 00	1	Flat gasket						



8



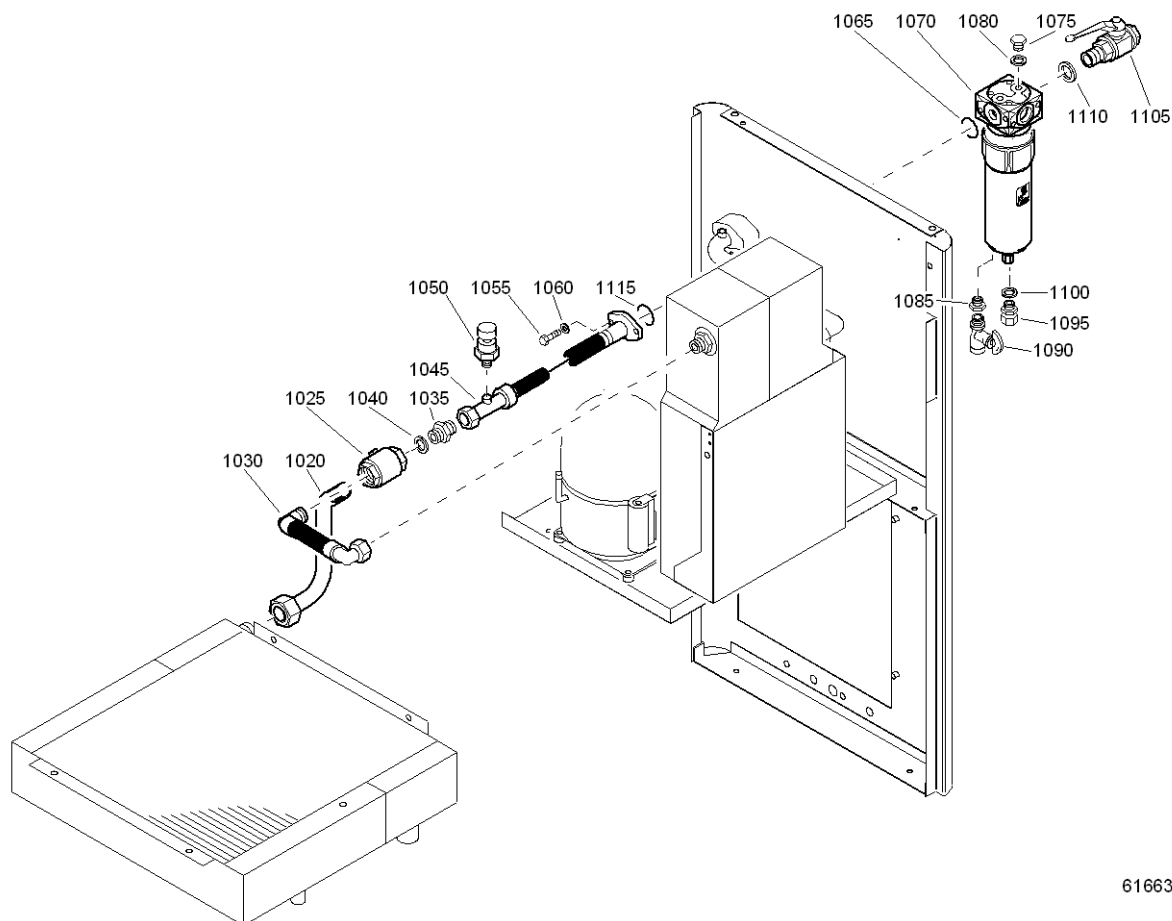
Air dryer - Full-feature

Ref.	Part number	Qty	Name	Remarks	Ref.	Part number	Qty	Name	Remarks
		1	Dryer		4150	1617 2309 00	• 1	Bracket	
	8092 3060 80		GA15 VSD		5010		• 1	Heat exchanger	
	8092 3060 81		GA15 VSD CSA/UL 60Hz			1617 2491 00		GA 15 VSD	
	8092 3061 80		GA 18 VSD			1617 2492 00		GA 18 VSD	
	8092 3061 81		GA 18 VSD CSA/UL 60Hz			1617 2492 00		GA 22 VSD	
	8092 3061 80		GA 22 VSD			1617 2492 00		GA 30 VSD	
	8092 3061 81		GA 22 VSD CSA/UL 60Hz		5020	1613 9227 81	• 1	Drain assy	
	8092 3062 80		GA 30 VSD			2901 0712 00	•• 1	Drain valve kit	
	8092 3062 81		GA 30 VSD CSA/UL 60Hz		5021	1613 9247 00	• 1	Nut	
1120	1088 1301 01	• 8	Cable tie		5022	0663 6124 00	• 1	O-ring	
1130	1079 9901 09	• 1	Decal		5023	0663 6128 00	• 1	O-ring	
1140	1088 1001 01	• 1	Warning mark		5030	1617 2372 00	• 1	Connection drain	
1150	1617 2385 00	• 1	Rotation arrow		5040	0663 7137 00	• 1	O-ring	
2010	1617 1505 02	• 1	Accumulator		6010		• 1	Refrig.compressor	
2020	1617 1524 01	• 1	Hot gas bypass valve			1617 1494 01		GA 18 VSD	
2030	1617 1322 02	• 1	Filter-drier			1617 1494 03		GA 18 VSD CSA/UL 60Hz	
2040	0348 0110 03	• 1	Anchor			1617 1494 01		GA 22 VSD	
2060	0348 0101 13	• 1	Cable tie			1617 1494 03		GA 22 VSD CSA/UL 60Hz	
2070	1619 5563 02	• 1	Schraderventiel			1617 1494 16		GA 30 VSD	
2100	1617 0056 00	• 1	Sleeve			1617 1494 18		GA 30 VSD CSA/UL 60Hz	
2110	1617 0057 00	• 2	Ring		6020		• 1	Fan assy	
2120	1617 0058 00	• 1	Nut			1617 2770 81		IEC	
3030	0581 0000 35	• 1	Straight coupling			1617 2770 82		CSA/UL 60Hz	
3040	0661 1020 00	• 2	Seal washer		6030		• 1	Wiring	
3050	0070 6002 05	• AR	Plastic tube			1617 3092 00		GA 15 VSD	
3060	0070 6002 04	• AR	Plastic tube			1617 3093 00		GA 15 VSD CSA/UL 60Hz	
3080	0581 0000 34	• 1	Straight coupling			1617 3094 00		GA 18 VSD	
4010		• 1	Condensor			1617 3095 00		GA 18 VSD CSA/UL 60Hz	
	1617 2283 00		GA 15 VSD			1617 3094 00		GA 22 VSD	
	1617 2288 00		GA 18 VSD			1617 3095 00		GA 22 VSD CSA/UL 60Hz	
	1617 2288 00		GA 22 VSD			1617 3096 00		GA 30 VSD	
	1617 2295 00		GA 30 VSD			1617 3097 00		GA 30 VSD CSA/UL 60Hz	
4050		• 1	Cappillary tube assy		7010	1617 2308 00	• 1	Frame	
	1617 1415 93		GA 15 VSD		8010	1089 9214 26	• 1	Fan switch	
	1617 1415 94		GA 18 VSD		9050	1617 3077 81	• 1	Sensor	
	1617 1415 94		GA 22 VSD						
	1617 1415 95		GA 30 VSD						



9

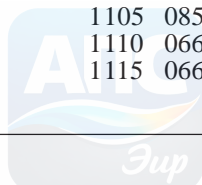
By-pass dryer - Full feature



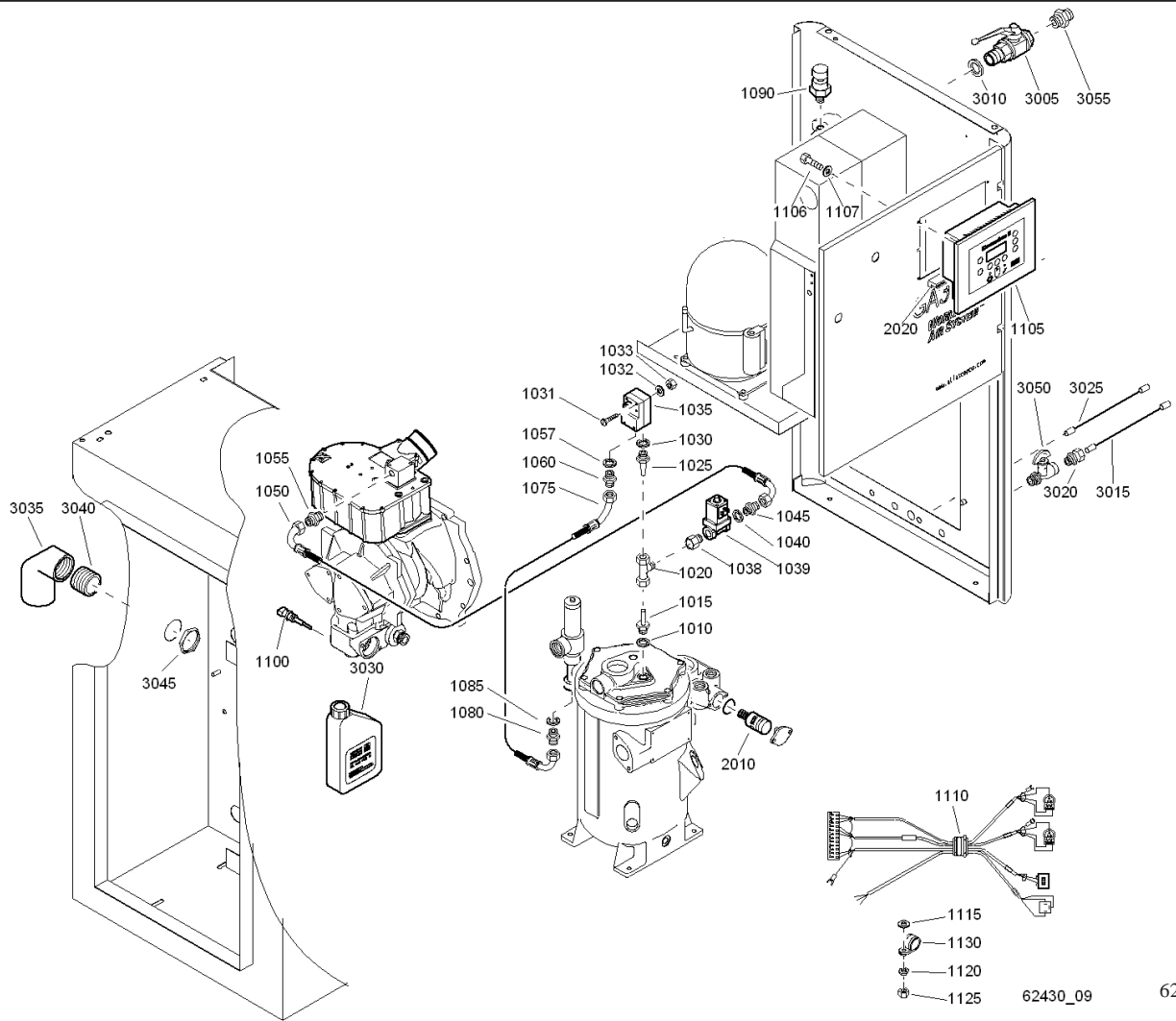
61663_03

61663_03

Ref.	Part number	Qty	Name	Remarks	Ref.	Part number	Qty	Name	Remarks
	8092 2455 24	1	Dryer bypass		1070	1613 8224 80	• 1	WSD 25	
1020	1622 0143 00	• 1	Pipe			2901 0712 00	•• 1	Drain valve kit	
1025	1613 7764 01	• 1	Ball valve (3-way)			2901 0748 00	•• 1	Separation kit	
1030	1622 0142 00	• 1	Hose assembly		1075	0686 3716 01	• 2	Hexagon plug	
1035	2250 4983 00	• 1	Nipple		1080	0661 1000 38	• 2	Seal washer	
1040	0661 1000 44	• 1	Seal washer		1085	0605 8700 67	• 1	Bushing	
1045	1622 0141 00	• 1	Hose assembly		1090	1619 7336 00	• 1	Cock	
1050	1089 0575 51	• 1	Press.transducer		1095	0581 0000 35	• 1	Coupling	
1055	0147 1325 03	• 2	Hexagon bolt		1100	0661 1000 38	• 1	Seal washer	
1060	0301 2335 00	• 2	Washer		1105	0852 0010 15	• 1	Ball valve	
1065	0663 3133 00	• 1	O-ring		1110	0661 1000 44	• 1	Seal washer	
					1115	0663 3129 00	• 1	O-ring	



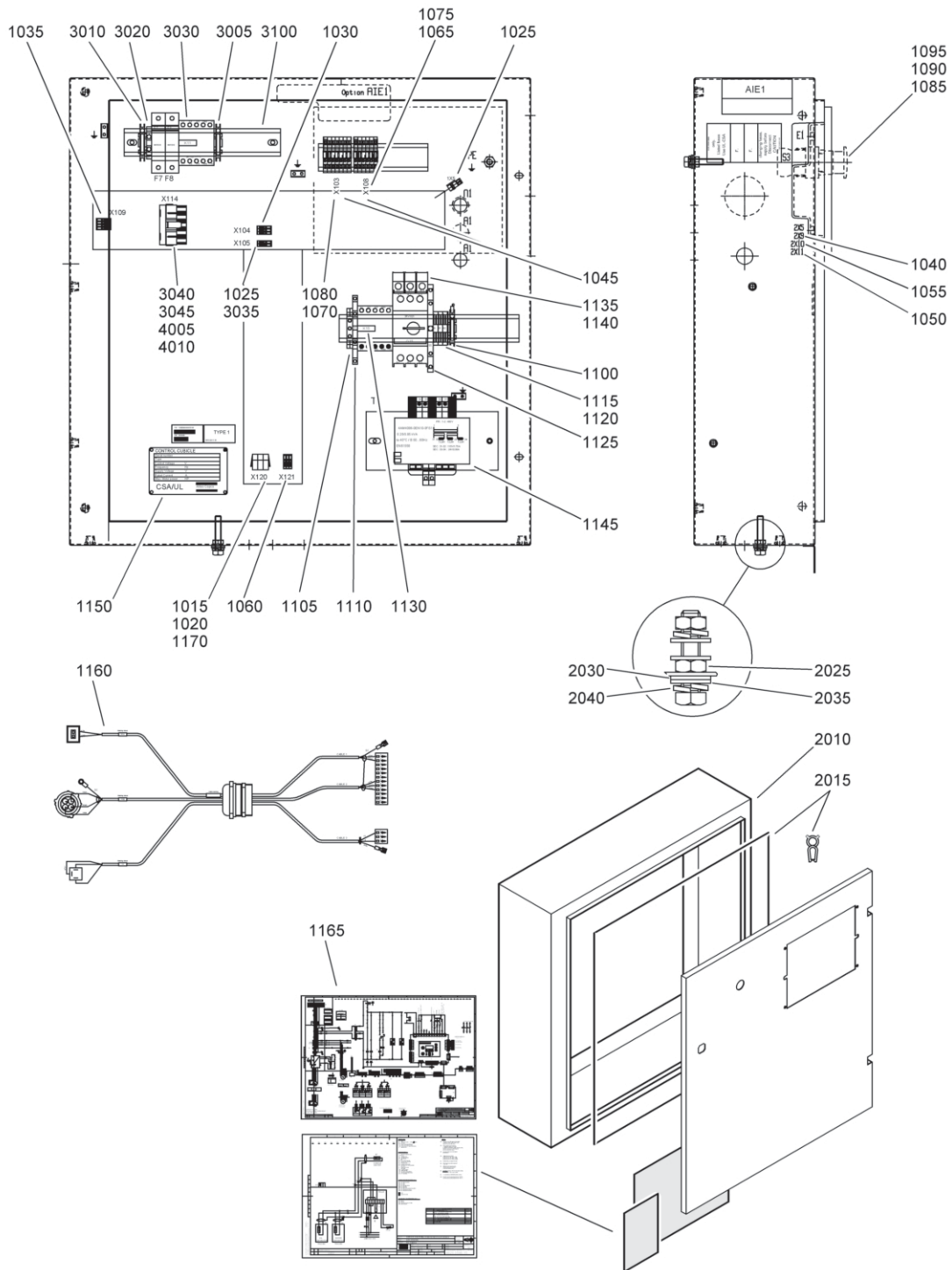
Regulating system



Ref.	Part number	Qty	Name	Remarks	Ref.	Part number	Qty	Name	Remarks
1010	0661 1000 40	1	Seal washer		1115	0301 2321 00	4	Washer	
1015	1622 0915 00	1	Nozzle		1120	0333 3120 00	2	Lock washer	
1020	0581 2000 42	1	Tee coupling		1125	0266 2108 00	2	Nut	
1025	1615 3624 00	1	Nozzle		1130	1619 2861 08	2	Clamp	
1030	0661 1000 42	1	Seal washer		2010		1	Thermostat	
1031	0160 6048 00	1	Screw			1622 7064 04		60°C	
1032	0301 2315 00	1	Washer		2020	1088 0031 30	1	Connector	
1033	0266 2106 00	1	Nut		3005	0852 0010 15	1	Ball valve	
1035	1089 0575 20	1	Dp press.transducer		3010	0661 1000 44	1	Seal washer	
1038	0605 8300 85	1	Bushing		3015	0070 6002 04	AR	Plastic tube	
1039	1089 0580 01	1	Solenoid valve		3020			Coupling	
1040	0661 1000 40	1	Seal washer			0581 0000 33	1	WorkPlace	
1045	1079 5840 03	1	Nipple			0581 0000 33	2	WorkPlace Full feature	
1050	0575 1280 50	1	Hose assembly		3025	0070 6002 05	AR	Plastic tube	
1055	1079 5840 05	1	Nipple		3030	1613 6532 01	1	Oil can	
1057	0661 1000 42	1	Seal washer		3035		1	Elbow	
1060	1079 5840 01	1	Nipple			0697 9750 20		IEC	
1075	0574 9914 16	1	Hose assembly		3040		1	Threaded nipple	
1080	1079 5840 19	1	Nipple			1622 0153 01		IEC	
1085	0661 1000 39	1	Seal washer		3045		1	Nut	
1090	1089 0575 51	1	Press.transducer			0697 9808 00		IEC	
1100	1089 0574 04	1	Temp.sensor		3050			Cock	
1105	1900 0710 12	1	Regulator			1619 7336 00	1	WorkPlace	
1106	0147 1169 03	4	Hexagon bolt			1619 7336 00	2	WorkPlace Full feature	
1107	0301 2315 00	4	Washer		3055		1	Adaptor	
1110	1622 0931 10	1	Wire harness			0603 4100 25		NPT	



11



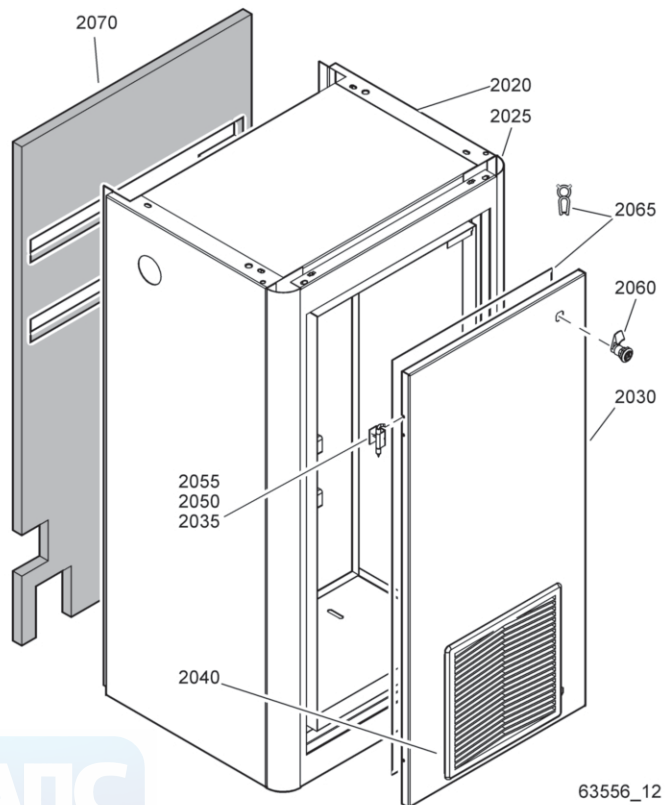
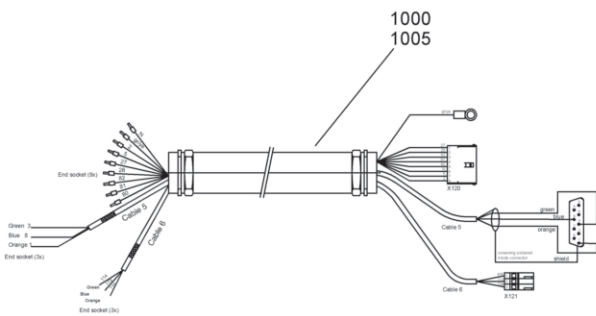
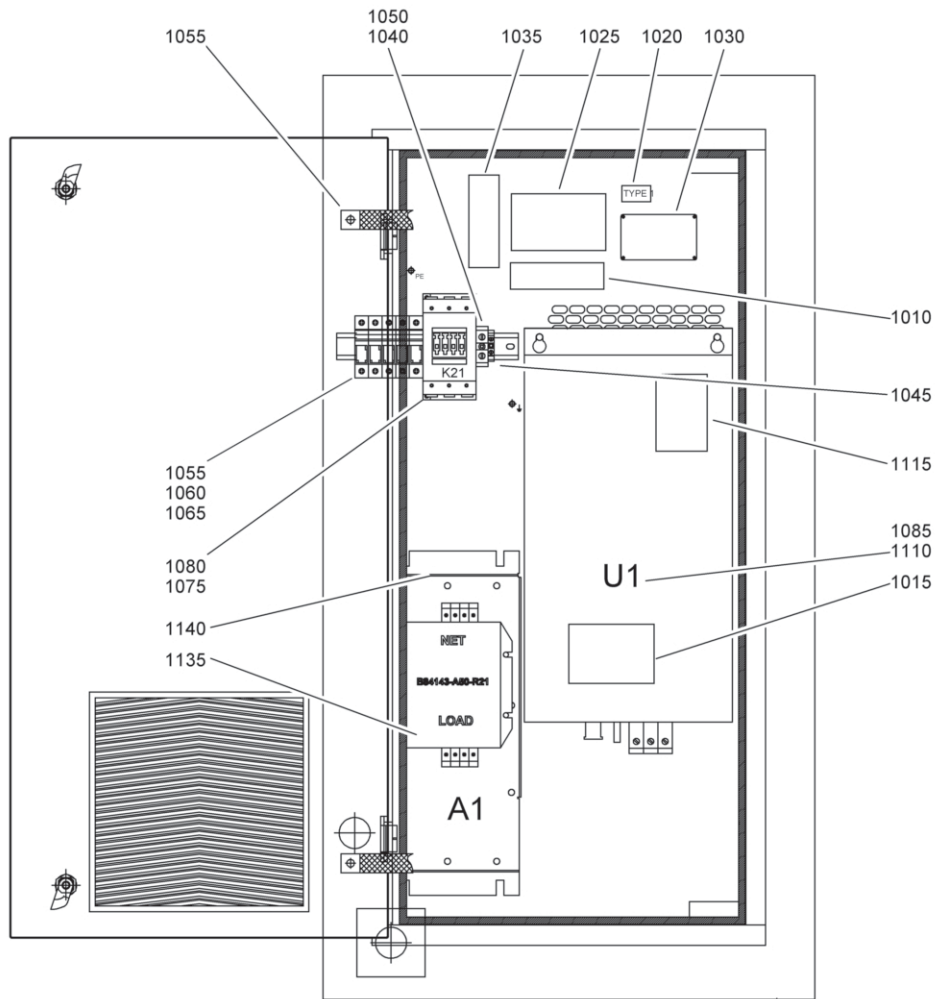
63555_12

Cubicle - Control panel - 200-230V - 380-500V/50-60Hz - IEC

11

Ref.	Part number	Qty	Name	Remarks	Ref.	Part number	Qty	Name	Remarks
		1	Cubicle						
	1900 2064 23		GA 15 VSD 200-230V			1089 9416 24		GA 18 VSD 200-230V	
	1900 2064 21		GA 15 VSD 380-500V			1089 9416 21		GA 18 VSD 380-500V	
	1900 2064 23		GA 18 VSD 200-230V			1089 9416 24		GA 22 VSD 200-230V	
	1900 2064 21		GA 18 VSD 380-500V			1089 9416 21		GA 22 VSD 380-460V	
	1900 2064 23		GA 22 VSD 200-230V			1089 9416 23		GA 30 VSD 200-230V	
	1900 2064 21		GA 22 VSD 380-460V			1089 9416 23		GA 30 VSD 380-500V	
	1900 2064 28		GA 30 VSD 200-230V		1145	1089 9436 43	• 1	Trafo	
	1900 2064 25		GA 30 VSD 380-500V		1150	1613 6639 00	• 1	Data plate	
1015	1088 0015 09	• 1	Connector		1160	1622 0931 11	• 1	Wire harness	
1020	1088 0015 36	• 8	Connector socket		1165	9820 3596 15	• 1	Service diagram	
1025	1088 0031 02	• 2	Connector		1170		• 4	Connector socket	
1030	1088 0031 03	• 1	Connector			1088 0015 40		GA 30 VSD 200-230V	
1035	1088 0031 05	• 1	Connector			1622 0122 85	• 1	Cubicle assembly	
1040	1088 0031 13	• 1	Connector		2010	1622 0361 05	•• 1	Cubicle	
1045	1088 0031 18	• 4	Adaptor for connector		2015	1202 6584 00	•• AR	Seal	
					2025	0268 7110 00	•• 2	Nut	
1050	1088 0031 29	• 1	Connector		2030	0300 0275 05	•• 2	Washer	
1055	1088 0031 49	• 1	Connector		2035	0301 2335 00	•• 2	Washer	
1060	1088 0031 83	• 1	Connector		2040	0333 2174 37	•• 2	Spring washer	
1065	1088 0031 86	• 1	Connector				1	Dryer rail	
1070	1088 0031 87	• 1	Connector			1900 2032 94		200-230V	
1075	1088 0037 06	• 1	Connector			1900 2064 91		400-500V	
1080	1088 0037 07	• 1	Connector		3005		•	End bracket	
1085	1089 0362 50	• 1	Contact block			1089 0506 30	2	400-500V	
1090	1089 0362 51	• 1	Push button			1089 0577 82	1	200-230V	
1095	1089 0362 58	• 1	Contact block		3010		• 1	Terminal	
1100	1089 0506 27	• 1	Terminal			1089 0577 21		200-230V	
1105	1089 0506 30	• 1	End bracket		3020		• 1	Terminal 4mm ²	
1110	1089 0506 75	• 1	Terminal			1089 0577 31		200-230V	
1115	1089 0577 36	• 3	Terminal		3030		• 1	Contacteur	
1120		• 1	Terminal cover			1089 9489 31		200-230V	
	1089 0577 37		GA 15 VSD 200-230V			1089 9415 16		400-500V	
	1089 0577 37		GA 18 VSD 200-230V		3035		• 1	Connector 3pole	
	1089 0577 37		GA 22 VSD 200-230V			1088 0031 53		400-500V	
	1089 0577 37		GA 30 VSD 200-230V		3040		• 1	Plug 5-pole	
1125	1089 0609 05	• 1	Terminal switch			1088 0015 05		400-500V	
1130	1089 9415 14	• 1	Contacteur		3045		• 4	Connector socket	
1135	1089 9416 01	• 1	Aux.contact block			1088 0015 36		400-500V	
1140		• 1	Circuit breaker		3100	9139 5000 16	• AR	Rail	
	1089 9416 24		GA 15 VSD 200-230V		4005	1088 0015 26	• 1	Connector 5pole	
	1089 9416 21		GA 15 VSD 380-500V		4010	1088 0015 16	• 4	Connector pin	

12

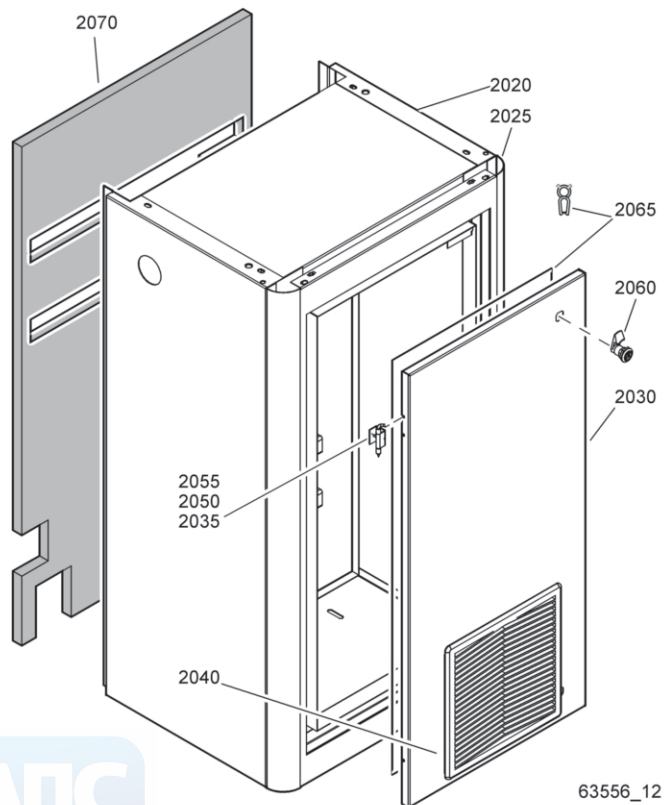
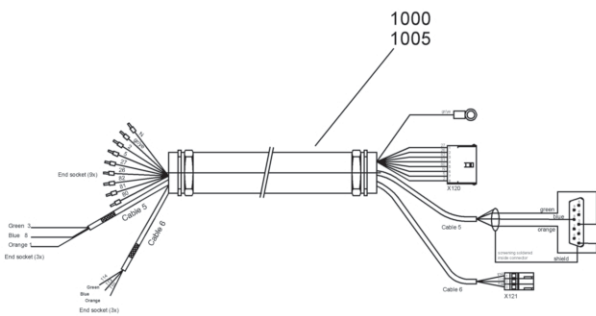
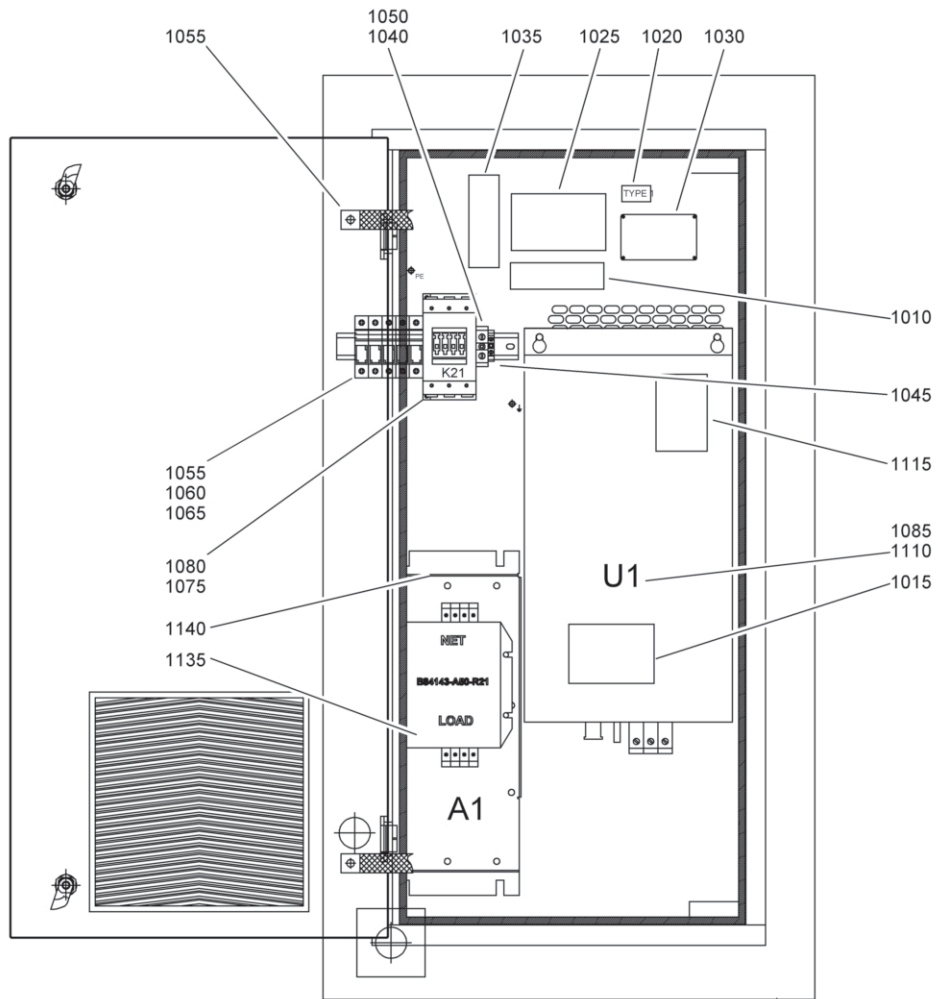


Cubicle - Convertor - 200-230V - 380-575V/50-60Hz - IEC

Ref.	Part number	Qty	Name	Remarks	Ref.	Part number	Qty	Name	Remarks
		1	Convertor						
	1900 2064 53		GA 15 VSD 200-230V		1060		2	Fuse link	
	1900 2064 51		GA 15 VSD 380-460V			1089 9168 36		GA 15 VSD 200-230V	
	1900 2064 52		GA 15 VSD 500-575V			1089 9168 36		GA 15 VSD 380-460V	
	1900 2064 53		GA 18 VSD 200-230V			1089 9168 36		GA 15 VSD 500-575V	
	1900 2064 51		GA 18 VSD 380-460V			1089 9168 36		GA 18 VSD 200-230V	
	1900 2064 52		GA 18 VSD 500-575V			1089 9168 36		GA 18 VSD 380-460V	
	1900 2064 63		GA 22 VSD 200-230V			1089 9168 26		GA 18 VSD 500-575V	
	1900 2064 71		GA 22 VSD 380-460V			1089 9168 36		GA 22 VSD 200-230V	
	1900 2064 63		GA 30 VSD 200-230V			1089 9168 26		GA 22 VSD 380-460V	
	1900 2064 61		GA 30 VSD 380-460V			1089 9168 26		GA 30 VSD 200-230V	
	1900 2064 62		GA 30 VSD 500-575V			1089 9168 36		GA 30 VSD 380-460V	
1000		• 1	Adaptor			1089 9168 36		GA 30 VSD 500-575V	
	1622 2817 00		GA 15 VSD 200-230V		1065	1089 0612 01	• 5	Fuse holder	
	1622 2817 00		GA 15 VSD 380-460V		1070		• 3	Fuse link	
	1622 2817 00		GA 15 VSD 500-575V			1089 9168 62		GA 15 VSD 200-230V	
	1622 2817 00		GA 22 VSD 200-230V			1089 9168 62		GA 15 VSD 380-460V	
	1622 2817 00		GA 22 VSD 380-460V			1089 9168 62		GA 15 VSD 500-575V	
1005		• 1	Wire harness			1089 9168 62		GA 18 VSD 200-230V	
	1622 0930 10		GA 15 VSD 200-230V			1089 9168 62		GA 18 VSD 380-460V	
	1622 0930 10		GA 15 VSD 380-460V			1089 9168 62		GA 18 VSD 500-575V	
	1622 0930 10		GA 15 VSD 500-575V			1089 9168 60		GA 22 VSD 200-230V	
	1622 0930 10		GA 18 VSD 200-230V			1089 9168 62		GA 22 VSD 380-460V	
	1622 0930 10		GA 18 VSD 380-460V			1089 9168 60		GA 30 VSD 200-230V	
	1622 0930 10		GA 18 VSD 500-575V			1089 9168 62		GA 30 VSD 380-460V	
	1622 0930 11		GA 22 VSD 200-230V			1089 9168 62		GA 30 VSD 500-575V	
	1622 0930 10		GA 22 VSD 380-460V		1075		• 1	Connection	
	1622 0930 11		GA 30 VSD 200-230V			1089 9416 92		GA 15 VSD 200-230V	
	1622 0930 10		GA 30 VSD 380-460V			1089 9416 92		GA 15 VSD 380-460V	
	1622 0930 10		GA 30 VSD 500-575V			1089 9416 93		GA 15 VSD 500-575V	
1010	1079 9901 68	• 1	Warning label			1089 9416 92		GA 18 VSD 200-230V	
1015	1079 9901 61	• 1	Decal			1089 9416 92		GA 18 VSD 380-460V	
1020	1079 9911 01	• 1	Label			1089 9416 93		GA 18 VSD 500-575V	
1025	1079 9906 09	• 1	Label			1089 9416 92		GA 22 VSD 380-460V	
1030	1614 8949 00	• 1	Data plate			1089 9416 92		GA 30 VSD 380-460V	
1035		• 1	Label fuse values			1089 9416 92		GA 30 VSD 500-575V	
	1079 9924 59		GA 15 VSD 200-230V		1080		• 1	Contacto	
	1079 9924 59		GA 15 VSD 380-460V			1089 9415 45		GA 15 VSD 200-230V	
	1079 9924 59		GA 15 VSD 500-575V			1089 9415 44		GA 15 VSD 380-460V	
	1079 9924 59		GA 18 VSD 200-230V			1089 9415 35		GA 15 VSD 500-575V	
	1079 9924 59		GA 18 VSD 380-460V			1089 9415 45		GA 18 VSD 200-230V	
	1079 9924 59		GA 18 VSD 500-575V			1089 9415 44		GA 18 VSD 380-460V	
	1079 9924 59		GA 22 VSD 200-230V			1089 9415 35		GA 18 VSD 500-575V	
	1079 9924 60		GA 22 VSD 380-460V			1089 9415 63		GA 22 VSD 200-230V	
	1079 9924 59		GA 22 VSD 500-575V			1089 9415 44		GA 22 VSD 380-460V	
	1079 9924 60		GA 30 VSD 200-230V			1089 9415 63		GA 30 VSD 200-230V	
	1079 9924 59		GA 30 VSD 380-460V			1089 9415 44		GA 30 VSD 380-460V	
	1079 9924 59		GA 30 VSD 500-575V			1089 9415 44		GA 30 VSD 500-575V	
1040	1089 0506 60	• 1	Terminal						
1045	1089 0506 03	• 1	Terminal						
1050	1089 0506 27	• 1	Terminal						
1055	1089 9345 02	• 2	Hf-screen						



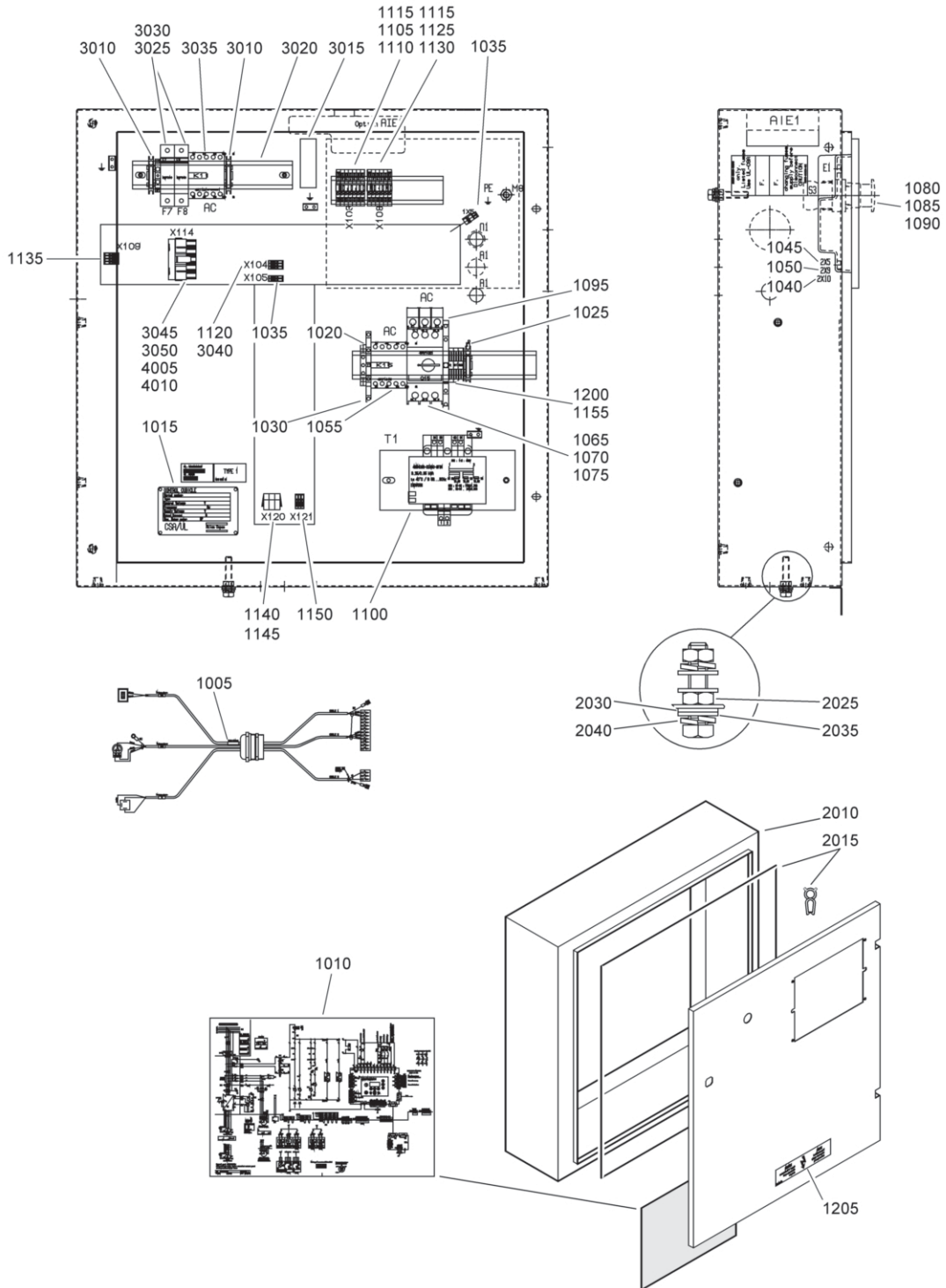
12



Cubicle - Convertor - 200-230V - 380-575V/50-60Hz - IEC

Ref.	Part number	Qty	Name	Remarks	Ref.	Part number	Qty	Name	Remarks
1085	•	1	Inductor			1622 3400 20		GA 15 VSD 500-575V	
	1089 9338 80		GA 15 VSD 200-230V			1622 3400 20		GA 18 VSD 200-230V	
	1089 9338 85		GA 15 VSD 380-460V			1622 3400 20		GA 18 VSD 380-460V	
	1089 9338 83		GA 15 VSD 500-575V			1622 3400 20		GA 18 VSD 500-575V	
	1089 9338 80		GA 18 VSD 200-230V			1622 3437 00		GA 22 VSD 200-230V	
	1089 9338 85		GA 18 VSD 380-460V			1622 3400 20		GA 22 VSD 380-460V	
	1089 9338 83		GA 18 VSD 500-575V			1622 3437 00		GA 30 VSD 200-230V	
	1089 9338 81		GA 22 VSD 200-230V			1622 3400 20		GA 30 VSD 380-460V	
	1089 9338 85		GA 22 VSD 380-460V			1622 3400 20		GA 30 VSD 500-575V	
	1089 9338 81		GA 30 VSD 200-230V		2020		•• 1	Assembly cubicle	
	1089 9338 84		GA 30 VSD 380-460V			1622 3400 14		GA 15 VSD 380-460V	
	1089 9338 84		GA 30 VSD 500-575V			1622 3400 14		GA 15 VSD 500-575V	
1110	•	1	Freq. converter			1622 3400 14		GA 15 VSD 200-230V	
	1089 9338 45		GA 15 VSD 200-230V			1622 3400 14		GA 18 VSD 380-460V	
	1089 9338 48		GA 15 VSD 380-460V			1622 3400 14		GA 18 VSD 500-575V	
	1089 9338 54		GA 15 VSD 500-575V			1622 3400 14		GA 18 VSD 200-230V	
	1089 9338 45		GA 18 VSD 200-230V			1622 3416 00		GA 22 VSD 200-230V	
	1089 9338 48		GA 18 VSD 380-460V			1622 3400 14		GA 22 VSD 380-460V	
	1089 9338 54		GA 18 VSD 500-575V			1622 3416 00		GA 30 VSD 200-230V	
	1089 9338 46		GA 22 VSD 200-230V			1622 3400 14		GA 30 VSD 380-460V	
	1089 9338 48		GA 22 VSD 380-460V			1622 3400 14		GA 30 VSD 500-575V	
	1089 9338 46		GA 30 VSD 200-230V		2025	1622 1272 00	•• 1	Panel front	
	1089 9338 49		GA 30 VSD 380-460V		2030	1622 3400 17	•• 1	Assembly door	
	1089 9338 55		GA 30 VSD 500-575V		2035	1613 9525 00	•• 2	Hinge	
1115	•	1	BOP control panel		2040	1089 9556 02	•• 1	Air inlet	
1135	•	1	Filter		2050	0129 3270 29	•• 4	Blind rivet	
	1089 9219 10		GA 15 VSD 200-230V		2055	1613 9532 00	•• 2	Pin	
	1089 9339 42		GA 15 VSD 500-575V		2060	1619 7704 00	•• 2	Lock	
	1089 9219 10		GA 18 VSD 200-230V		2065	1202 6584 00	•• AR	Seal	
	1089 9339 42		GA 18 VSD 500-575V		2070		•• 1	Silencing foam	
	1089 9219 11		GA 22 VSD 200-230V			1622 3433 00		GA 22 VSD	
	1089 9219 11		GA 30 VSD 200-230V		1)			Lined with / Bekleed met / Beklädd med /	
	1089 9339 52		GA 30 VSD 500-575V					Ausgekleidet mit / Garnir de / Rivestido de /	
	1622 3400 20	•	Assembly cubicle					Allineato con / Foret med / Revestido com /	
	1622 3400 20		GA 15 VSD 200-230V					Kledd med / Vuorattu :	
	1622 3400 20		GA 15 VSD 380-460V					Foam : 0395 6001 66 (AR) 25 x 2040 x 1650	
	1622 3400 20		GA 15 VSD 500-575V					self-adhesive	
	1622 3400 20		GA 18 VSD 200-230V						

13

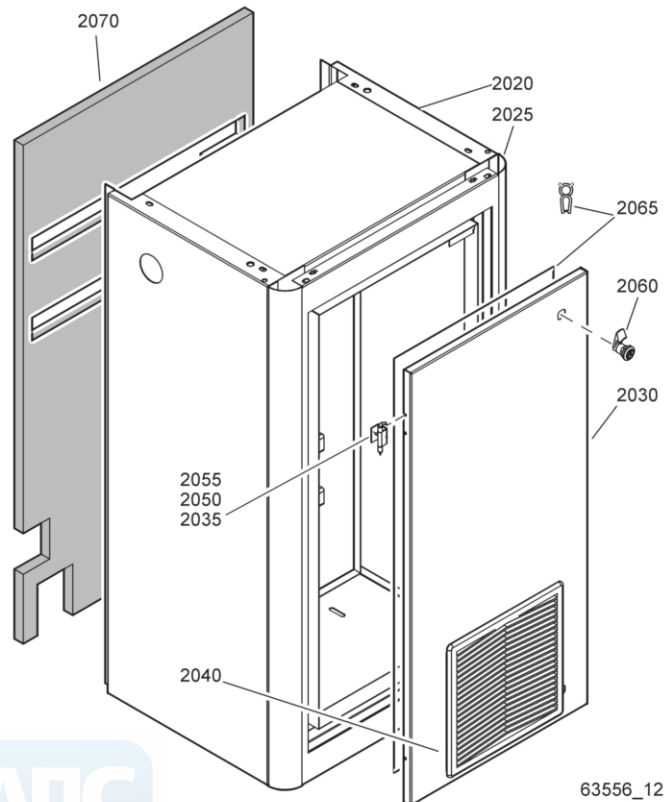
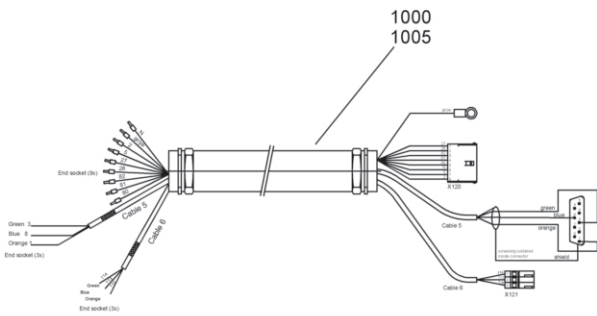
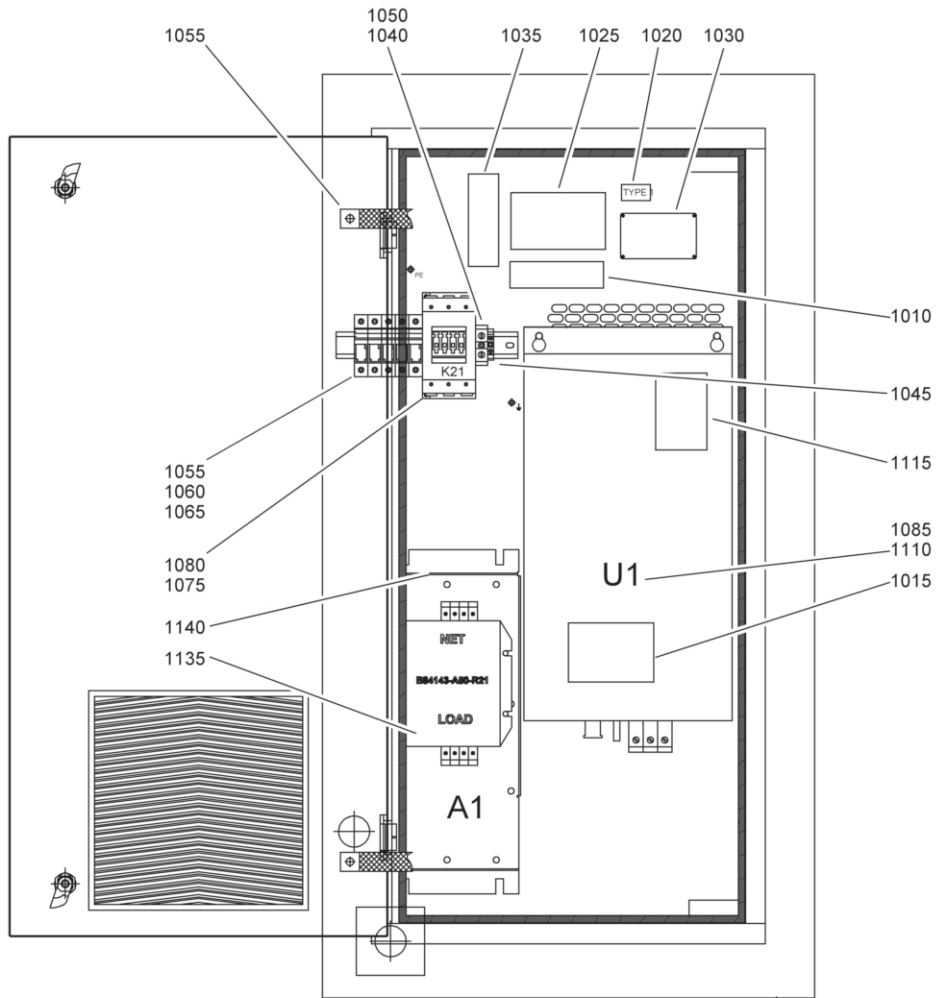


63557_12

Cubicle - Control panel - 460-575V/50-60Hz - CSA/UL

Ref.	Part number	Qty	Name	Remarks	Ref.	Part number	Qty	Name	Remarks
		1	Cubicle		1115	1088 0031 18 •	4	Adaptor for connector	
	1900 2064 31		GA 15 VSD 460-575V		1120	1088 0031 03 •	1	Connector	
	1900 2064 31		GA 18 VSD 460-575V		1125	1088 0031 86 •	1	Connector	
	1900 2064 31		GA 22 VSD 380-460V		1130	1088 0037 06 •	1	Connector	
	1900 2064 35		GA 30 VSD 460V		1135	1088 0031 05 •	1	Connector	
	1900 2064 39		GA 30 VSD 575V		1140	1088 0015 09 •	1	Connector	
1005	1622 0931 11 •	1	Wire harness		1145	1088 0015 36 •	8	Connector socket	
1010	9820 3596 15 •	1	Service diagram		1150	1088 0031 83 •	1	Connector	
1015	1614 8949 00 •	1	Data plate		1155	•	1	Terminal cover	
1020	1089 0506 30 •	1	End bracket			1089 0577 37		GA 30 VSD 460V	
1025	1089 0506 27 •	1	Terminal		1200	1089 0577 36 •	3	Terminal	
1030	1089 0506 75 •	1	Terminal		1205	1613 3431 00 •	2	Label	
1035	1088 0031 02 •	2	Connector			1622 0122 85 •	1	Cubicle assembly	
1040	1088 0031 49 •	1	Connector		2010	1622 0361 05 ••	1	Cubicle	
1045	1088 0031 29 •	1	Connector		2015	1202 6584 00 ••	AR	Seal	
1050	1088 0031 13 •	1	Connector		2025	0268 7110 00 ••	2	Nut	
1055	1089 9415 14 •	1	Contacto		2030	0300 0275 05 ••	2	Washer	
1065	1089 9416 01 •	1	Aux.contact block		2035	0301 2335 00 ••	2	Washer	
1070	•	1	Circuit breaker		2040	0333 2174 37 ••	2	Spring washer	
	1089 9416 61		GA 15 VSD 460-575V			1900 2064 93	1	Dryer rail	
	1089 9416 61		GA 18 VSD 460-575V		3010	1089 0506 30 •	2	End bracket	
	1089 9416 61		GA 22 VSD 380-460V		3015	1079 9924 71 •	1	Label fuse values	
	1089 9416 62		GA 30 VSD 460V		3020	9139 5000 16 •	AR	Rail	
	1089 9416 63		GA 30 VSD 575V		3025	1089 9168 62 •	2	Fuse link	
1075	1089 9416 75 •	1	Connection block		3030	1089 0612 01 •	2	Fuse holder	
1080	1089 0362 51 •	1	Push button		3035	1089 9415 16 •	1	Contacto	
1085	1089 0362 50 •	1	Contact block		3040	1088 0031 53 •	1	Connector	
1090	1089 0362 58 •	1	Contact block		3045	1088 0015 05 •	1	Plug	
1095	1089 0609 05 •	1	Terminal switch		3050	1088 0015 36 •	4	Connector socket	
1100	1089 9436 43 •	1	Trafo		4005	1088 0015 26 •	1	Connector	
1105	1088 0031 87 •	1	Connector		4010	1088 0015 16 •	4	Connector pin	
1110	1088 0037 07 •	1	Connector						

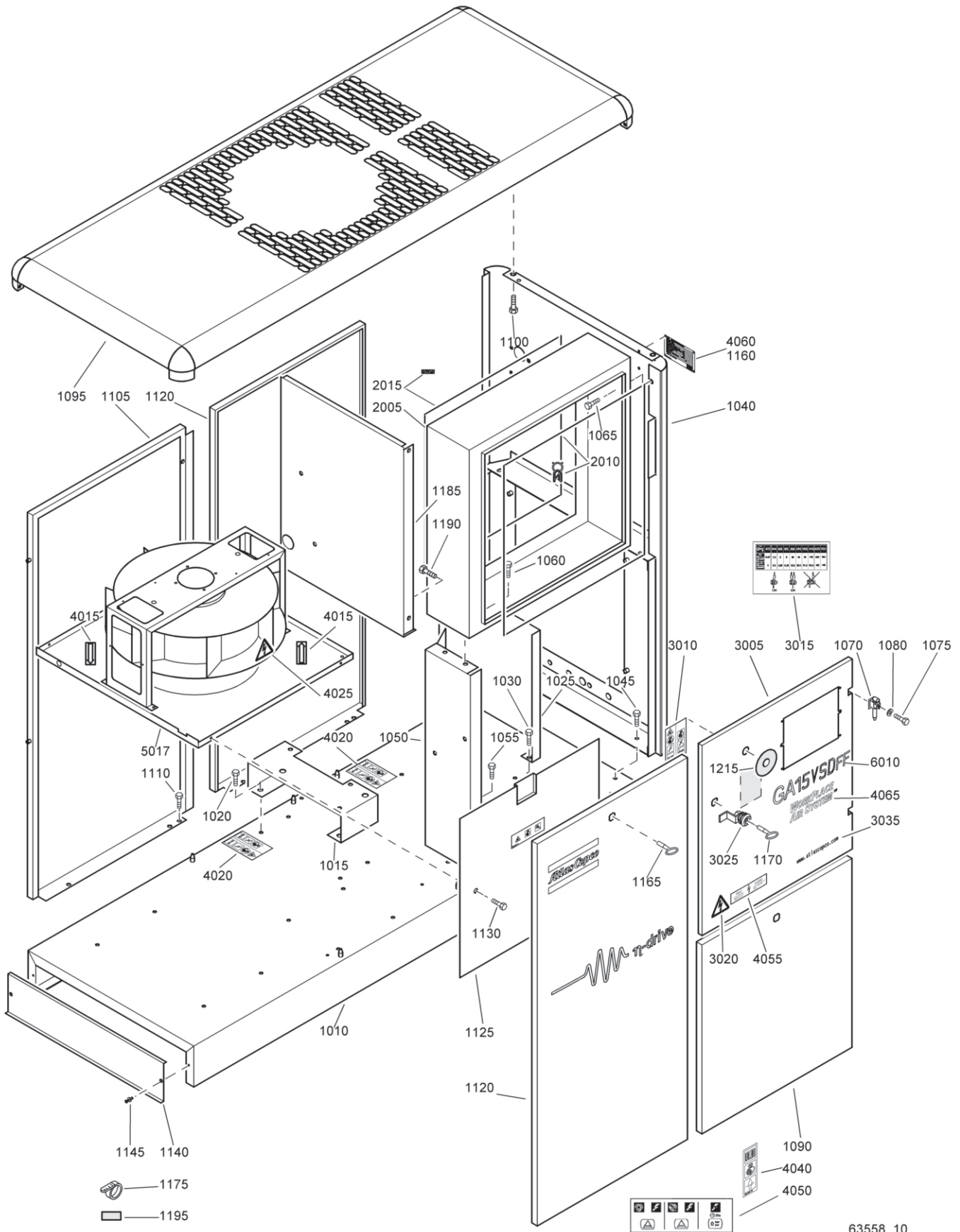
14



Cubicle - Convertor - 460-575V/50-60Hz - CSA/UL

Ref.	Part number	Qty	Name	Remarks	Ref.	Part number	Qty	Name	Remarks
		1	Convertor		1110		• 1	Freq. converter	
	1900 2064 51		GA 15 VSD 380-460V			1089 9338 48		GA 15 VSD 380-460V	
	1900 2064 52		GA 15 VSD 500-575V			1089 9338 54		GA 15 VSD 500-575V	
	1900 2064 51		GA 18 VSD 380-460V			1089 9338 48		GA 18 VSD 380-460V	
	1900 2064 52		GA 18 VSD 500-575V			1089 9338 54		GA 18 VSD 500-575V	
	1900 2064 71		GA 22 VSD 380-460V			1089 9338 48		GA 22 VSD 380-460V	
	1900 2064 61		GA 30 VSD 380-460V			1089 9338 49		GA 30 VSD 380-460V	
	1900 2064 62		GA 30 VSD 500-575V			1089 9338 55		GA 30 VSD 500-575V	
1000	1622 2817 00	• 1	Adaptor		1115	2908 0094 00	• 1	BOP control panel	
1005	1622 0930 10	• 1	Wire harness		1135		• 1	Filter	
1010	1079 9901 68	• 1	Warning label			1089 9339 42		GA 15 VSD 500-575V	
1015	1079 9901 61	• 1	Decal			1089 9339 42		GA 18 VSD 500-575V	
1020	1079 9911 01	• 1	Label			1089 9339 52		GA 30 VSD 500-575V	
1025	1079 9906 09	• 1	Label			1622 3400 20	• 1	Assembly cubicle 1)	
1030	1614 8949 00	• 1	Data plate		2020		•• 1	Assembly cubicle	
1035	1079 9924 59	• 1	Label fuse values			1622 3400 14		GA 15 VSD 380-460V	
1040	1089 0506 60	• 1	Terminal			1622 3400 14		GA 15 VSD 500-575V	
1045	1089 0506 03	• 1	Terminal			1622 3400 14		GA 18 VSD 380-460V	
1050	1089 0506 27	• 1	Terminal			1622 3400 14		GA 18 VSD 500-575V	
1055	1089 9345 02	• 2	Hf-screen			1622 3400 14		GA 22 VSD 380-460V	
1060	1089 9168 36	• 2	Fuse link			1622 3400 14		GA 30 VSD 380-460V	
1065	1089 0612 01	• 5	Fuse holder			1622 3400 14		GA 30 VSD 500-575V	
1070	1089 9168 62	• 3	Fuse link		2025	1622 1272 00	•• 1	Panel front	
1075	1089 9416 92	• 1	Connection		2030	1622 3400 17	•• 1	Assembly door	
1080		• 1	Contact		2035	1613 9525 00	•• 2	Hinge	
	1089 9415 44		GA 15 VSD 380-460V		2040	1089 9556 02	•• 1	Air inlet	
	1089 9415 35		GA 15 VSD 500-575V		2050	0129 3270 29	•• 4	Blind rivet	
	1089 9415 44		GA 18 VSD 380-460V		2055	1613 9532 00	•• 2	Pin	
	1089 9415 35		GA 18 VSD 500-575V		2060	1619 7704 00	•• 2	Lock	
	1089 9415 44		GA 22 VSD 380-460V		2065	1202 6584 00	•• AR	Seal	
	1089 9415 44		GA 30 VSD 380-460V		2070		•• 1	Not used	
	1089 9415 44		GA 30 VSD 500-575V						
1085		• 1	Inductor		1)			Lined with / Bekleed met / Beklädd med / Ausgekleidet mit / Garnir de / Rivestido de / Allineato con / Foret med / Revestido com / Kledd med / Vuorattu : Foam : 0395 6001 66 (AR) 25 x 2040 x 1650 self-adhesive	
	1089 9338 85		GA 15 VSD 380-460V						
	1089 9338 83		GA 15 VSD 500-575V						
	1089 9338 85		GA 18 VSD 380-460V						
	1089 9338 83		GA 18 VSD 500-575V						
	1089 9338 85		GA 22 VSD 380-460V						
	1089 9338 84		GA 30 VSD 380-460V						
	1089 9338 84		GA 30 VSD 500-575V						

15



63558_10



Bodywork

Ref.	Part number	Qty	Name	Remarks	Ref.	Part number	Qty	Name	Remarks
1010	1622 0900 00	1	Frame		1215	1089 9125 05	1	Label	
1015	1622 0136 00	1	Support			1622 0122 81	1	Cubicle assembly	
1020	0226 0301 00	4	Tapping screw		2005		• 1	Cubicle	
1025	1622 0912 80	1	Panel ass'y		2010	1202 6584 00	• AR	Seal	
1030	0226 0301 00	2	Tapping screw		2015	1619 3843 00	• AR	Seal	
1040	1622 0907 80	1	Panel ass'y			1622 0199 80	1	Door assembly	
	1079 9915 99	• 2	Label		3005		• 1	Door panel	
1045	0226 0301 00	2	Tapping screw		3010	1079 9903 48	• 1	Warning label	
1050	1622 0363 00	1	Support		3015	1079 9906 09	• 1	Label	
1055	1619 2766 00	2	Bolt		3020	1088 1001 03	• 1	Warning mark	
1060	0147 1963 08	4	Hexagon bolt		3025	1619 7705 00	• 1	Lock	
1065	0147 1963 08	6	Hexagon bolt		3035	1079 9920 93	• 1	Label	
1070	1202 6400 00	2	Hinge		4015	1503 0786 00	2	Rotation arrow	
1075	0147 1244 03	2	Hexagon bolt		4020	1079 9901 09	5	Label	
1080	0301 2321 00	2	Washer		4025	1088 1001 01	3	Warning mark	
1090	1622 0397 80	1	Door panel assy		4030	1079 9921 80	1	Label	
	1616 2987 00	• 1	Plug		4040	1079 9901 29	1	Label	
	1513 0431 00	• 1	Door lock		4050	1079 9904 99	1	Warning label	
1095	1622 0901 80	1	Roof ass'y		4055	1613 3431 00	1	Label	
	1613 9963 00	• 4	Corner		4060	1622 0395 04	1	Dataplate	
	0129 3174 00	• 8	Blind rivet		4065	1613 9846 00	1	Decal workplace	
1100	0147 1963 08	7	Hexagon bolt		5017		1	Fan assembly	
1105	1622 0118 80	1	Panel assembly			1622 0103 02		GA 15 VSD	
1110	1619 2766 00	1	Bolt			1622 0103 13		GA 15 VSD CSA/UL	
1115	0147 1963 08	4	Hexagon bolt			1622 0103 02		GA 18 VSD	
1120	1622 0126 80	2	Panel assembly			1622 0103 13		GA 18 VSD CSA/UL	
	1513 0431 00	• 1	Door lock			1622 0103 02		GA 22 VSD	
	1616 2987 00	• 2	Plug			1622 0103 13		GA 22 VSD CSA/UL	
	0690 1116 01	• 1	House mark			1622 0103 22		GA 30 VSD	
1125	1622 0119 80	1	Panel assembly			1622 0103 33		GA 30 VSD CSA/UL	
	1079 9901 18	• 1	Warning label		6010		1	Decal	
	1619 2665 00	• AR	Seal			1613 9027 82		GA15VSD	
1130	1619 2766 00	2	Bolt			1613 9027 81		GA15VSD FF	
1135	1622 0114 80	2	Panel assembly			1613 9027 65		GA18VSD	
1140	1615 8384 00	4	Rivet			1613 9027 66		GA18VSD FF	
1145	0266 2110 00	1	Nut			1613 9027 83		GA22VSD	
1150	0333 3227 00	1	Lock washer			1613 9027 84		GA22VSD FF	
1155	0301 2335 00	1	Washer			1613 9027 37		GA30VSD	
1160	0129 3103 00	4	Blind rivet			1613 9027 38		GA30VSD FF	
1165	1089 9068 01	2	Key						
1170	1089 9154 02	1	Key						
1175	1088 1301 02	1	Cable strip						
1180	0147 1963 08	4	Hexagon bolt						
1185	1622 0123 80	1	Panel assembly						
1190	0147 1963 08	2	Hexagon bolt						
1195	1619 3843 00	AR	Seal						

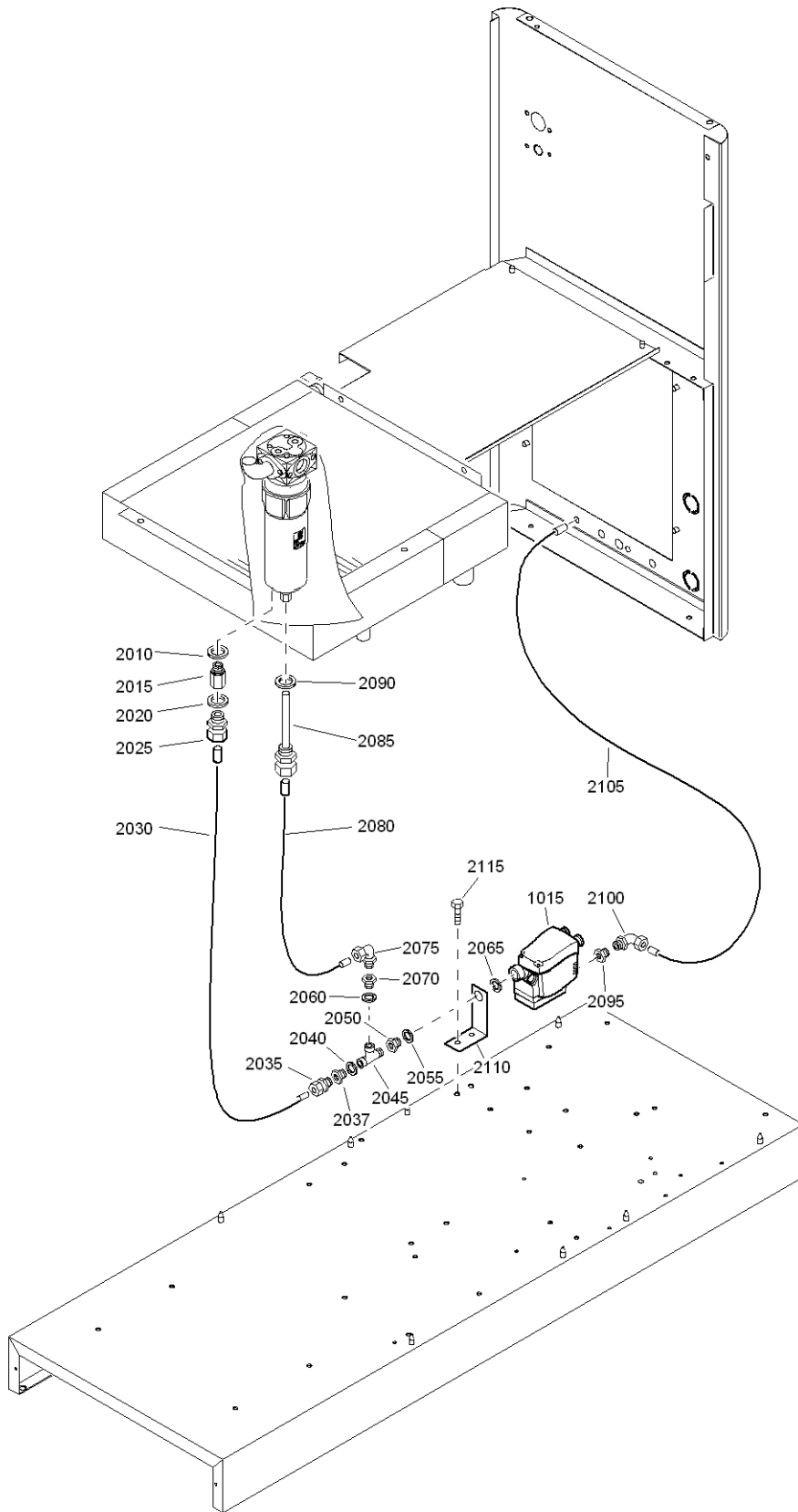
1) Lined with / Bekleed met / Beklädd med / Ausgekleidet mit
 / Garnir de / Rivestido de / Allineato con / Foret med /
 Revestido com / Kledd med / Vuorattu :
 Foam: 0395 6001 66 (AR) 25 x 2040 x 1650 self-adhesive



Standard option - Energy recovery system

Ref.	Part number	Qty	Name	Remarks	Ref.	Part number	Qty	Name	Remarks
	8092 2809 50	1	Energy recovery		1170	1622 0089 00	• 1	Pipe	
1025	0226 0301 00	• 2	Tapping screw		1175	0663 3129 00	• 1	O-ring	
1030	1613 7805 00	• 1	Heat exchanger		1180	0147 1325 03	• 2	Hexagon bolt	
1031	1613 7799 00	• 1	Plate		1185	0571 0035 11	• 1	Hose connection	
1035	0147 1344 03	• 3	Hexagon bolt		1190	0661 1000 44	• 1	Seal washer	
1040	0301 2335 00	• 6	Washer		1195	1622 0090 01	• 1	Pipe	
1045	0266 2110 00	• 3	Nut		1200	0663 3129 00	• 1	O-ring	
1050	1613 7061 00	• 1	Bracket		1205	0147 1325 03	• 2	Hexagon bolt	
1055	1619 2766 00	• 2	Bolt		1210	1622 0093 00	• 1	Hose assembly	
1060	1202 7521 00	• 1	Therm.housing		1215	1622 0092 00	• 1	Hose assembly	
1065	0147 1321 03	• 2	Hexagon bolt		1220	0663 3129 00	• 2	O-ring	
1070	0301 2335 00	• 2	Washer		1225	0147 1327 03	• 4	Hexagon bolt	
1075	1614 6118 00	• 1	Flange		1230	0266 2110 00	• 4	Nut	
1080	0663 2101 95	• 1	O-ring		1260	1079 9913 69	• 1	Inform.label	
1085	0147 1246 03	• 2	Hexagon bolt		1265	1079 9913 79	• 1	Inform.label	
1090	0301 2321 00	• 2	Washer		1270	0686 4201 00	• 1	Hexagon plug	
1100	1202 7522 00	• 1	4-way valve		1275	0653 1046 00	• 1	Flat gasket	
	2901 0100 00	1	4-way valve kit		1290	1622 0094 00	• 2	Pipe	
	0663 2106 02	•• 1	O-ring		1295	0295 3109 00	• 4	Nut	
	0663 2106 03	•• 1	O-ring			1622 0088 81	• 1	Support assembly	
1105	0663 3129 00	• 2	O-ring		2010		•• 1	Support	
1110	0147 1325 03	• 4	Hexagon bolt		2015	1079 9902 89	•• 1	Warning label	
1115	1202 7689 00	• 1	Handle		2020	1202 7682 00	•• 1	Label	
1120	1202 7683 00	• 2	Label		3060	1622 0663 03	• 2	Cable temp.sensor	
1125	0147 1321 03	• 1	Hexagon bolt		3065	1622 0665 02	• 1	Din-rail	
1130	0301 2335 00	• 1	Washer		3070	1622 0661 01	• 1	Cable	
1145	0564 0000 64	• 2	Tee		3075	1088 1305 01	• 3	Push mount	
1150	0605 8700 51	• 2	Bushing		3080	1088 1301 01	• 4	Cable strip	
1151	0661 1000 44	• 2	Seal washer		3085	1900 0710 41	• 1	Aie1 expansion	
1155	1089 0574 40	• 1	Temp.sensor		3090	1088 0031 04	• 1	Connector	
1160	0571 0035 11	• 1	Hose connection		4005		1	Thermostat	
1165	0661 1000 44	• 1	Seal washer			1622 7064 03		75°C	

17



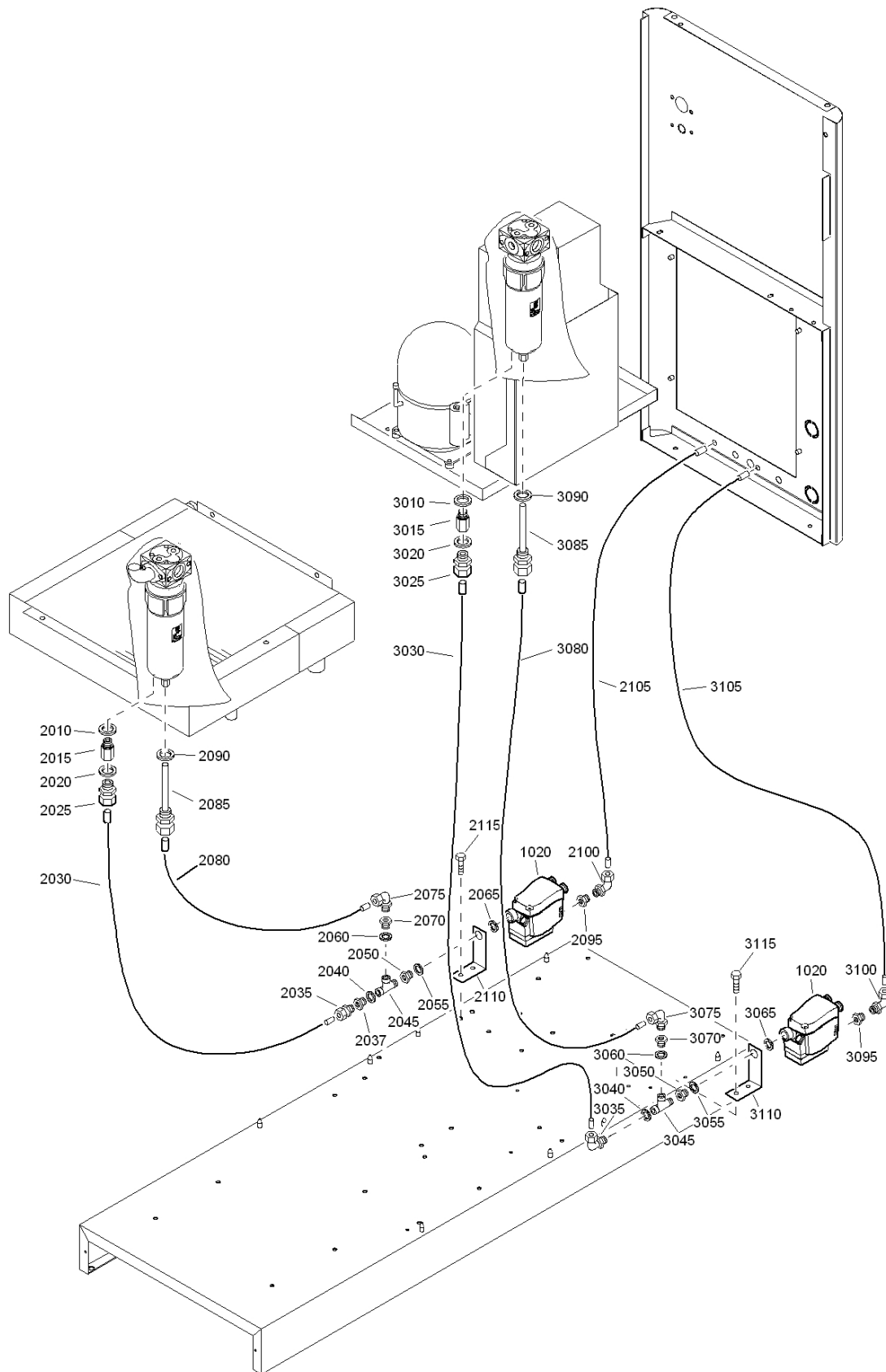
62393_06

Standard option - Electronic water drain - Pack

17

Ref.	Part number	Qty	Name	Remarks	Ref.	Part number	Qty	Name	Remarks
	8092 2810 40	1	Electronic water drain		2060	0653 1124 00 ●	1	Flat gasket	
1015	1613 8913 06 ●	1	EWD 50		2065	0653 1124 00 ●	1	Flat gasket	
2010	0661 1000 38 ●	1	Seal washer		2070	0605 8814 06 ●	1	Bushing	
2015	1622 0359 00 ●	1	Straight pipe		2075	0581 1200 23 ●	1	Elbow coupling	
2020	0661 1000 38 ●	1	Seal washer		2080	0070 6002 05 ●	AR	Plastic tube	
2025	0581 0000 45 ●	1	Pipe coupling		2085	1613 8084 00 ●	1	Pipe coupling	
2030	0070 6002 06 ●	AR	Plastic tube		2090	0661 1000 38 ●	1	Seal washer	
2035	0581 0000 45 ●	1	Pipe coupling		2095	0607 1151 05 ●	1	Reducing socket	
2037	0605 8814 06 ●	1	Bushing		2100	0581 1200 26 ●	1	Elbow coupling	
2040	0653 1124 00 ●	1	Flat gasket		2105	0070 6002 05 ●	AR	Plastic tube	
2045	1503 2566 13 ●	1	Tee		2110	1622 1020 00 ●	1	Bracket	
2050	1613 9029 00 ●	1	Nipple		2115	0226 0301 00 ●	2	Tapping screw	
2055	0653 1124 00 ●	1	Flat gasket						

18

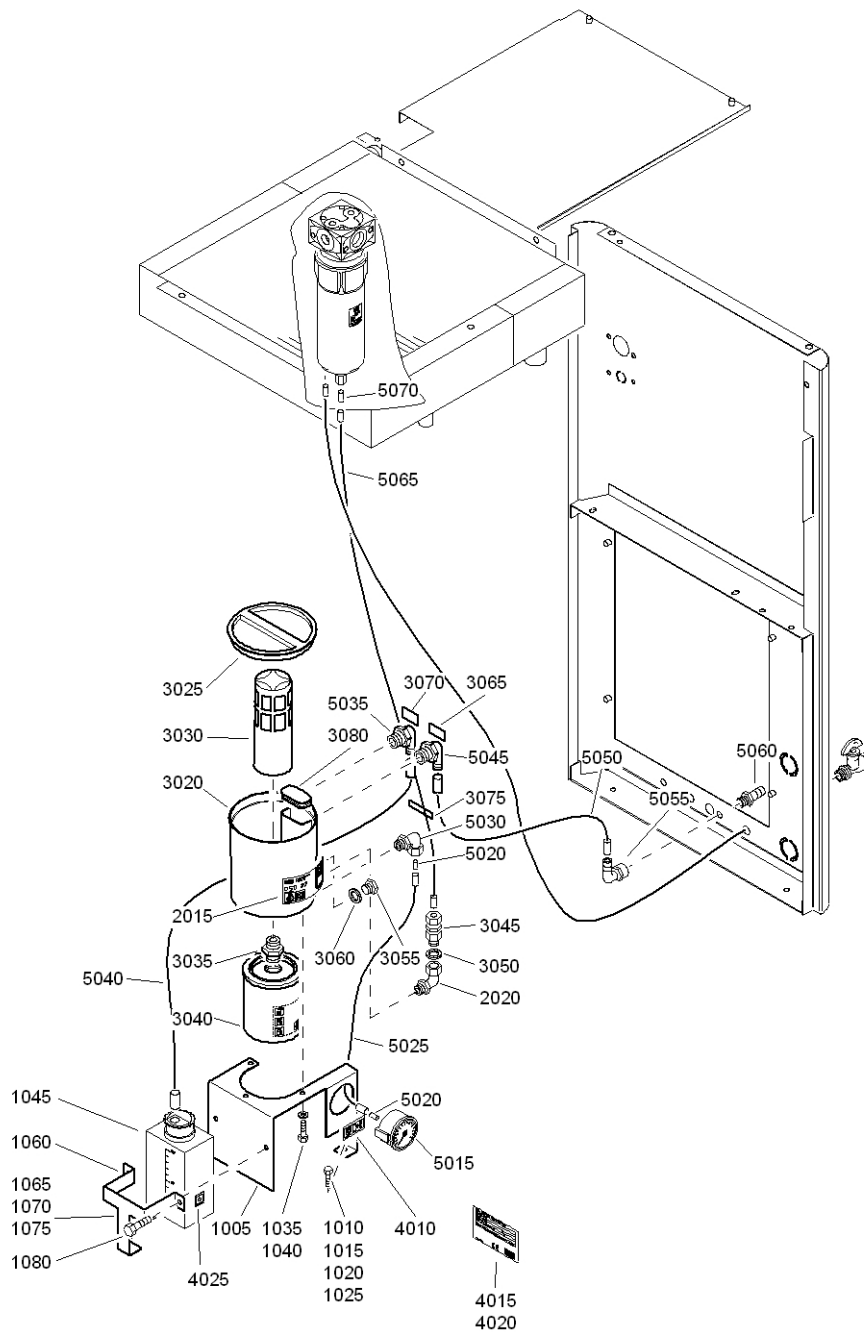


62394_06

Standard option - Electronic water drain - Full-feature

Ref.	Part number	Qty	Name	Remarks	Ref.	Part number	Qty	Name	Remarks
	8092 2810 57	1	Electronic water drain		2115	0226 0301 00 •	2	Tapping screw	
1020	1613 8913 06 •	2	EWD 50		3010	0661 1000 38 •	1	Seal washer	
2010	0661 1000 38 •	1	Seal washer		3015	1622 0359 00 •	1	Straight pipe	
2015	1622 0359 00 •	1	Straight pipe		3020	0661 1000 38 •	1	Seal washer	
2020	0661 1000 38 •	1	Seal washer		3025	0581 0000 45 •	1	Pipe coupling	
2025	0581 0000 45 •	1	Pipe coupling		3030	0070 6002 06 •	AR	Plastic tube	
2030	0070 6002 06 •	AR	Plastic tube		3035	0581 1200 29 •	1	Elbow	
2035	0581 0000 45 •	1	Pipe coupling		3040	0653 1124 00 •	1	Flat gasket	
2037	0605 8814 06 •	1	Bushing		3045	1503 2566 13 •	1	Tee	
2040	0653 1124 00 •	1	Flat gasket		3050	1613 9029 00 •	1	Nipple	
2045	1503 2566 13 •	1	Tee		3055	0653 1124 00 •	1	Flat gasket	
2050	1613 9029 00 •	1	Nipple		3060	0653 1124 00 •	1	Flat gasket	
2055	0653 1124 00 •	1	Flat gasket		3065	0653 1124 00 •	1	Flat gasket	
2060	0653 1124 00 •	1	Flat gasket		3070	0605 8814 06 •	1	Bushing	
2065	0653 1124 00 •	1	Flat gasket		3075	0581 0000 35 •	1	Coupling	
2070	0605 8814 06 •	1	Bushing		3080	0070 6002 05 •	AR	Plastic tube	
2075	0581 1200 23 •	1	Elbow coupling		3085	1613 8084 00 •	1	Pipe coupling	
2080	0070 6002 05 •	AR	Plastic tube		3090	0661 1000 38 •	1	Seal washer	
2085	1613 8084 00 •	1	Pipe coupling		3095	0607 1151 05 •	1	Reducing socket	
2090	0661 1000 38 •	1	Seal washer		3100	0581 1200 26 •	1	Elbow coupling	
2095	0607 1151 05 •	1	Reducing socket		3105	0070 6002 05 •	AR	Plastic tube	
2100	0581 1200 26 •	1	Elbow coupling		3110	1622 1020 00 •	1	Bracket	
2105	0070 6002 05 •	AR	Plastic tube		3115	0226 0301 00 •	2	Tapping screw	
2110	1622 1020 00 •	1	Bracket						

19



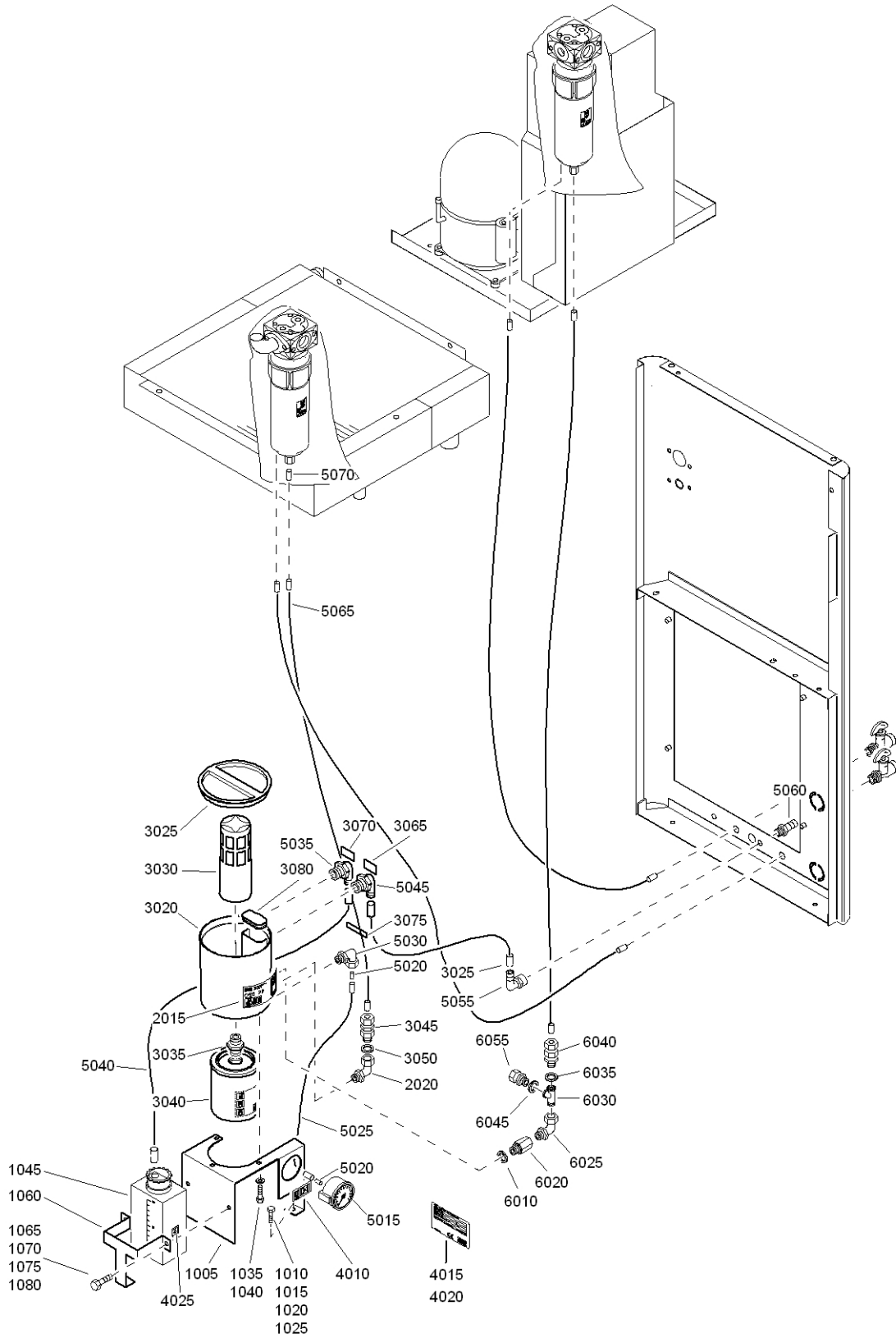
62395_06

Standard option - Oil Separator condensate Drain - Pack

19

Ref.	Part number	Qty	Name	Remarks	Ref.	Part number	Qty	Name	Remarks
	8092 2400 14	1	Oil Separator condensate Drain		3045	1613 7378 00	●●● 1	Strainer	
1005	1622 0087 01	● 1	Support		3050	0653 0500 47	●●● 1	Gasket	
1010	0301 2335 00	● 1	Washer		3055	0686 3716 02	●●● 1	Hexagon plug	
1015	0333 3227 00	● 1	Lock washer		3060	0653 9098 00	●●● 1	Flat gasket	
1020	0266 2110 00	● 1	Nut		3065	1079 9913 69	●●● 1	Inform.label	
1025	0147 1323 03	● 1	Hexagon bolt		3070	1079 9912 28	●●● 1	Decal	
1035	0147 1322 03	● 1	Hexagon bolt		3075	1079 9912 07	●●● 1	Decal	
1040	0301 2335 00	● 1	Washer		3080	1613 7945 00	●●● 1	Plug	
1045	1613 7657 00	● 1	Oil can		4010	1079 9912 11	● 1	Decal	
1060	1622 0091 01	● 1	Support		4015	1613 7384 00	● 1	Data plate	
1065	0301 2335 00	● 1	Washer		4020	0129 3104 00	● 4	Blind rivet	
1070	0333 3227 00	● 1	Lock washer		4025	1079 9912 38	● 1	Decal	
1075	0266 2110 00	● 1	Nut		5015	1615 7264 00	● 1	Pressure gauge	
1080	0147 1323 03	● 1	Hexagon bolt		5020	0584 9904 00	● 2	Sleeve	
	1613 7603 82	● 1	OSD assembly		5025	0070 6002 04	● AR	Plastic tube	
2015	1079 9909 06	●● 1	Label		5030	0581 2024 38	● 1	Elbow coupling	
2020	0560 4400 83	●● 1	Pipe fitting		5035	1613 7985 80	● 1	Elbow coupling	
	1613 7603 80	●● 1	OSD sub assembly		5040	0070 6002 14	● AR	Plastic tube	
3020	1613 7603 00	●●● 1	Housing		5045	1613 7985 80	● 1	Elbow coupling	
3025	1613 7604 00	●●● 1	Plug		5050	0070 6002 14	● AR	Plastic tube	
3030	1613 7299 00	●●● 1	Filter		5055	1613 7342 00	● 1	Elbow coupling	
3035	1613 7601 00	●●● 1	Check valve		5060	1613 7341 00	● 1	Pipe coupling	
3040	1613 7602 00	●●● 1	Oil separator		5065	0070 6002 05	● AR	Plastic tube	
					5070	0584 0080 10	● 1	Cutting ring	

20



62397_06

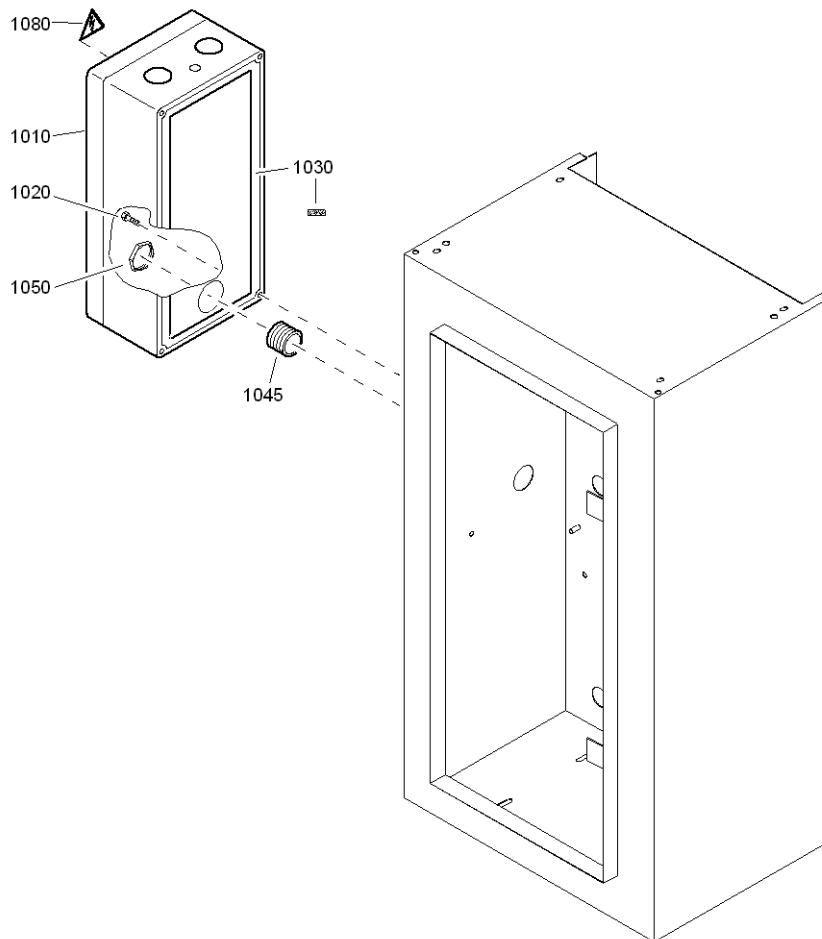


Standard option - Oil Separator condensate Drain - Full-feature

Ref.	Part number	Qty	Name	Remarks	Ref.	Part number	Qty	Name	Remarks
		1	Oil Separator condensate Drain		3075	1079 9912 07	●●● 1	Decal	
	8092 2400 14		Pack + Full-feature		3080	1613 7945 00	●●● 1	Plug	
1005	1622 0087 01	● 1	Support		4010	1079 9912 11	● 1	Decal	
1010	0301 2335 00	● 1	Washer		4015	1613 7384 00	● 1	Data plate	
1015	0333 3227 00	● 1	Lock washer		4020	0129 3104 00	● 4	Blind rivet	
1020	0266 2110 00	● 1	Nut		4025	1079 9912 38	● 1	Decal	
1025	0147 1323 03	● 1	Hexagon bolt		5015	1615 7264 00	● 1	Pressure gauge	
1035	0147 1322 03	● 1	Hexagon bolt		5020	0584 9904 00	● 2	Sleeve	
1040	0301 2335 00	● 1	Washer		5025	0070 6002 04	● AR	Plastic tube	
1045	1613 7657 00	● 1	Oil can		5030	0581 2024 38	● 1	Elbow coupling	
1060	1622 0091 01	● 1	Support		5035	1613 7985 80	● 1	Elbow coupling	
1065	0301 2335 00	● 1	Washer		5040	0070 6002 14	● AR	Plastic tube	
1070	0333 3227 00	● 1	Lock washer		5045	1613 7985 80	● 1	Elbow coupling	
1075	0266 2110 00	● 1	Nut		5050	0070 6002 14	● AR	Plastic tube	
1080	0147 1323 03	● 1	Hexagon bolt		5055	1613 7342 00	● 1	Elbow coupling	
	1613 7603 82	● 1	OSD assembly		5060	1613 7341 00	● 1	Pipe coupling	
2015	1079 9909 06	●● 1	Label		5065	0070 6002 05	● AR	Plastic tube	
2020	0560 4400 83	●● 1	Pipe fitting		5070	0584 0080 10	● 1	Cutting ring	
	1613 7603 80	●● 1	OSD sub assembly			8092 2804 55	1	Conversion kit	
3020	1613 7603 00	●●● 1	Housing			Full-feature			
3025	1613 7604 00	●●● 1	Plug		6010	0661 1000 38	● 1	Seal washer	
3030	1613 7299 00	●●● 1	Filter		6020	1622 0939 00	● 1	Extension nipple	
3035	1613 7601 00	●●● 1	Check valve		6025	1503 2565 02	● 1	Bend	
3040	1613 7602 00	●●● 1	Oil separator		6030	1503 2566 11	● 1	Tee	
3045	1613 7378 00	●●● 1	Strainer		6035	0653 0500 47	● 1	Gasket	
3050	0653 0500 47	●●● 1	Gasket		6040	1613 7378 00	● 1	Strainer	
3065	1079 9913 69	●●● 1	Inform.label		6045	0653 0500 47	● 1	Gasket	
3070	1079 9912 28	●●● 1	Decal		6050	0653 1062 00	● 1	Flat gasket	
					6055	0581 2024 32	● 1	Coupling	

21

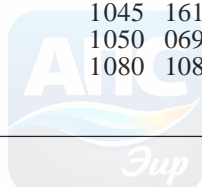
Main switch



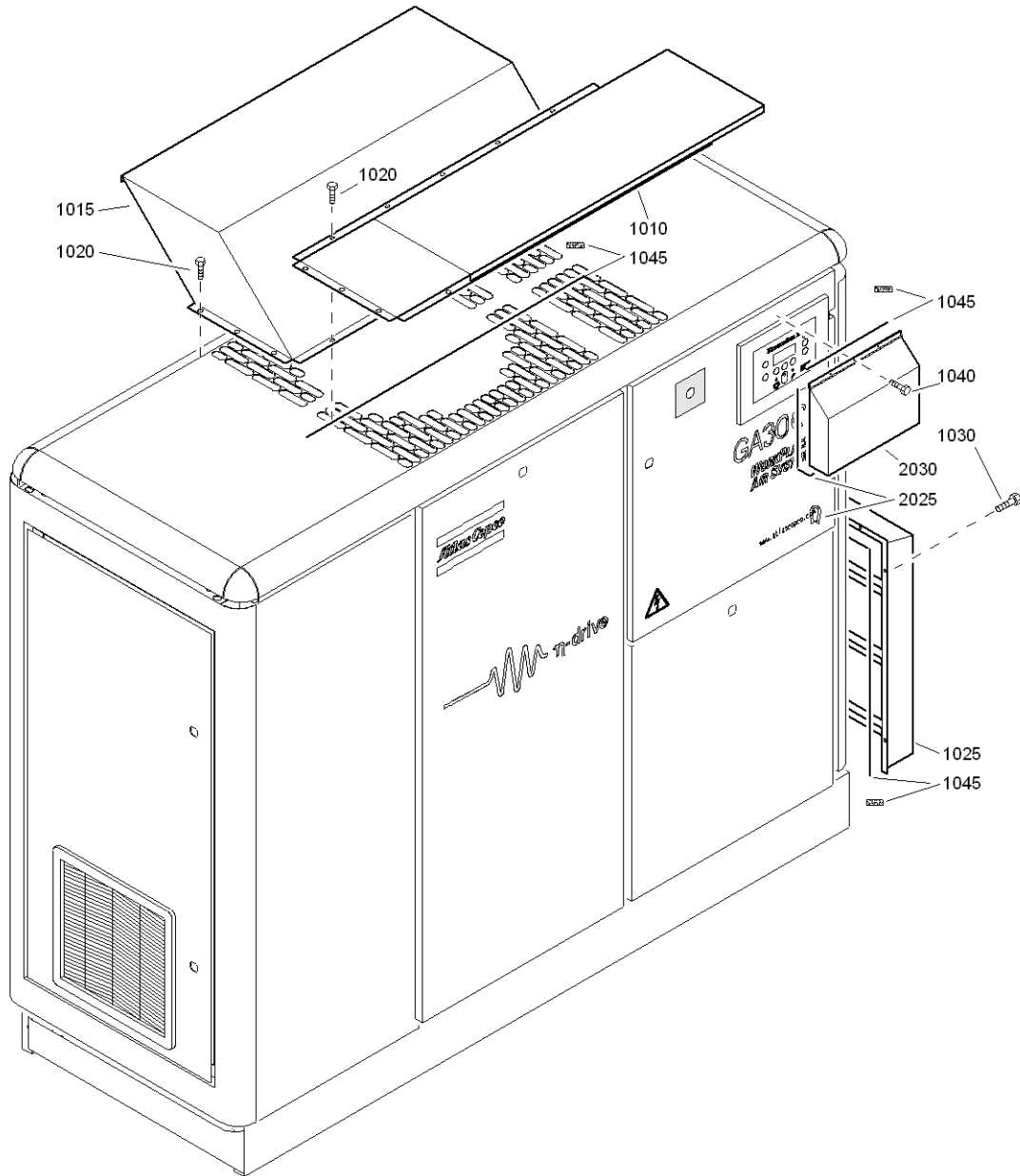
62413_12

62413_12

Ref.	Part number	Qty	Name	Remarks	Ref.	Part number	Qty	Name	Remarks
1010	1089 9498 15	1	Power switch		1045	1613 9799 00	1	Nipple threaded	
1020	0226 3343 17	4	Tapping screw		1050	0697 9809 19	2	Lock nut	
1030	1619 3843 00	AR	Seal		1080	1088 1001 03	1	Warning mark	



Rain protection



62416_10

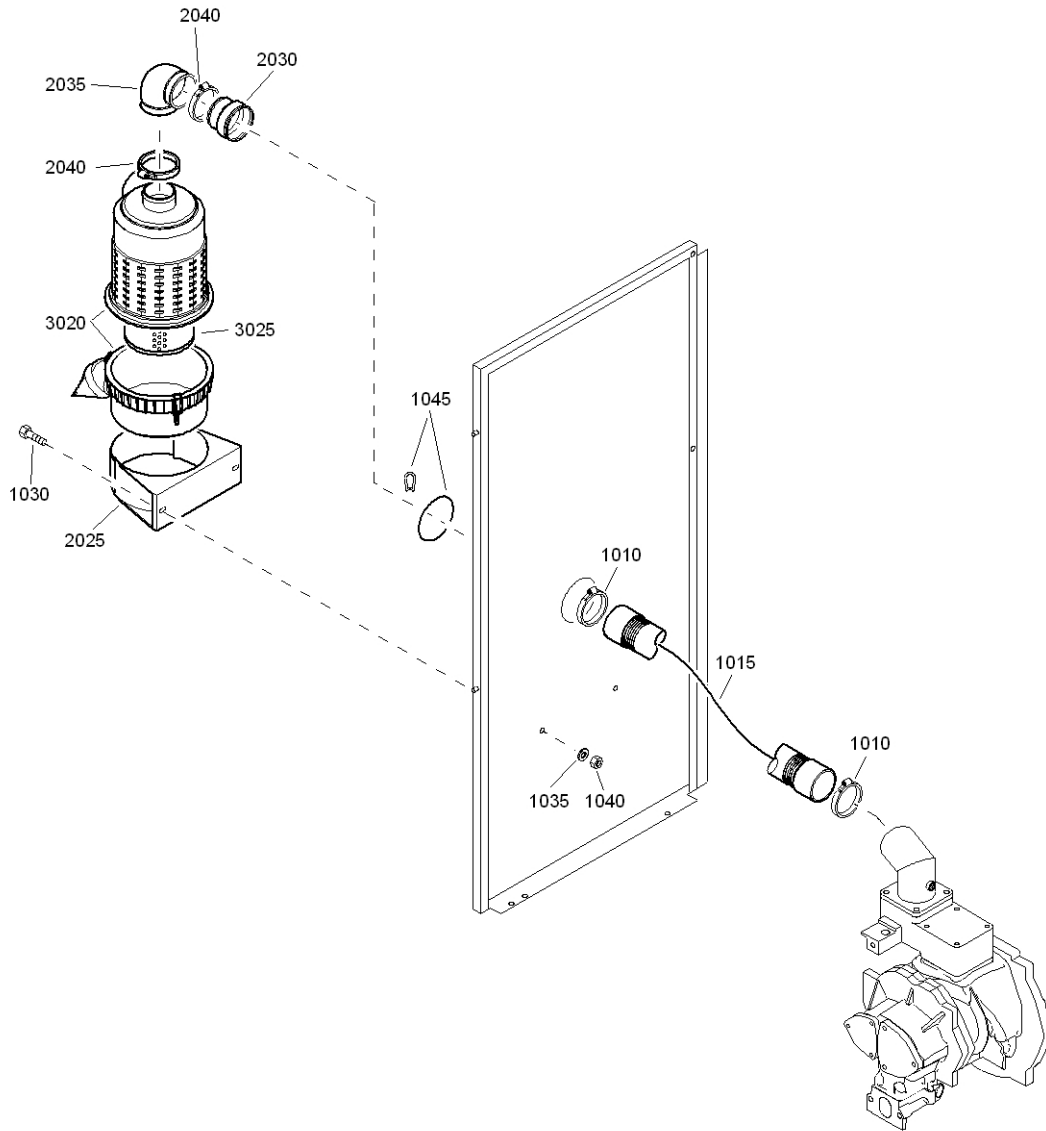
62416_10

Ref.	Part number	Qty	Name	Remarks	Ref.	Part number	Qty	Name	Remarks
	8092 2465 10	1	Rain protection		1040	0226 3256 00	• 3	Tapping screw	
1010	1622 0921 00	• 1	Baffle		1045	1619 3843 00	• AR	Seal	
1015	1622 0922 00	• 1	Baffle			1613 7954 81	• 1	Baffle assembly	
1020	0226 3343 07	• 17	Tapping screw		2025	1503 1056 00	•• AR	Seal	
1025	1622 0147 00	• 1	Rain cowl		2030		•• 1	Baffle	
1030	0226 3343 07	• 6	Tapping screw						



23

Heavy duty inlet filter

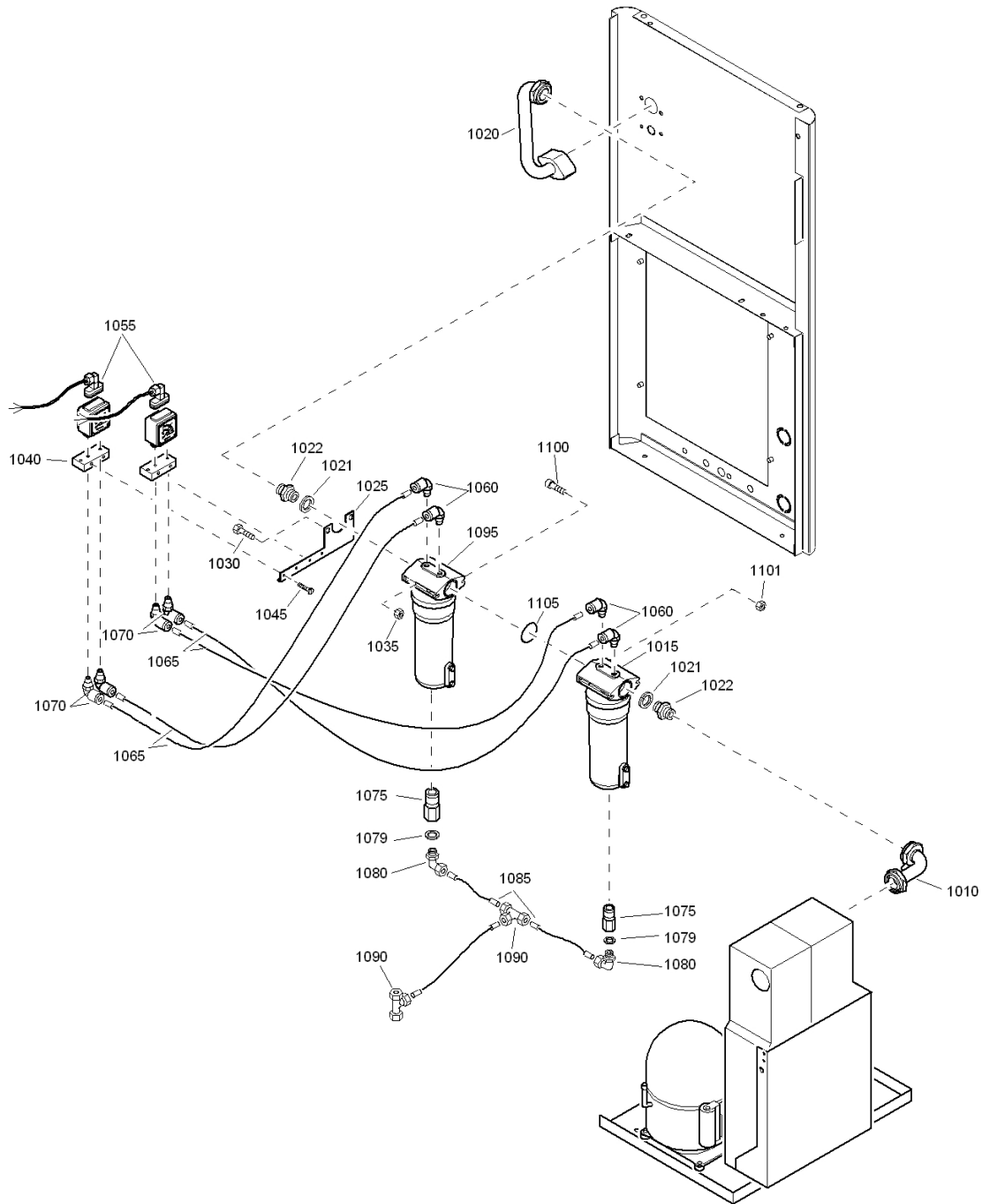


62421_02

62421_02

Ref.	Part number	Qty	Name	Remarks	Ref.	Part number	Qty	Name	Remarks
	8092 2455 30	1	Heavy duty inlet filter						
1010	0347 6100 04	• 2	Hose clip		2025	1615 6958 00	•• 1	Support air filter	
1015	1622 0018 00	• 1	Hose assembly		2030	1622 0173 00	•• 1	Adapter	
1030	0147 1327 03	• 2	Hexagon bolt		2035	1622 0174 00	•• 1	Elbow	
1035	0301 2335 00	• 2	Washer		2040	0347 6114 00	•• 2	Hose clip	
1040	0266 2110 00	• 2	Nut			1622 0170 80	•• 1	Air filter assy	
1045	1503 1056 00	• AR	Seal		3020	1622 0170 00	••• 1	Air filter	
					3025	1622 0171 00	••• 1	Filter element	

DD/PD filter kit - Full feature



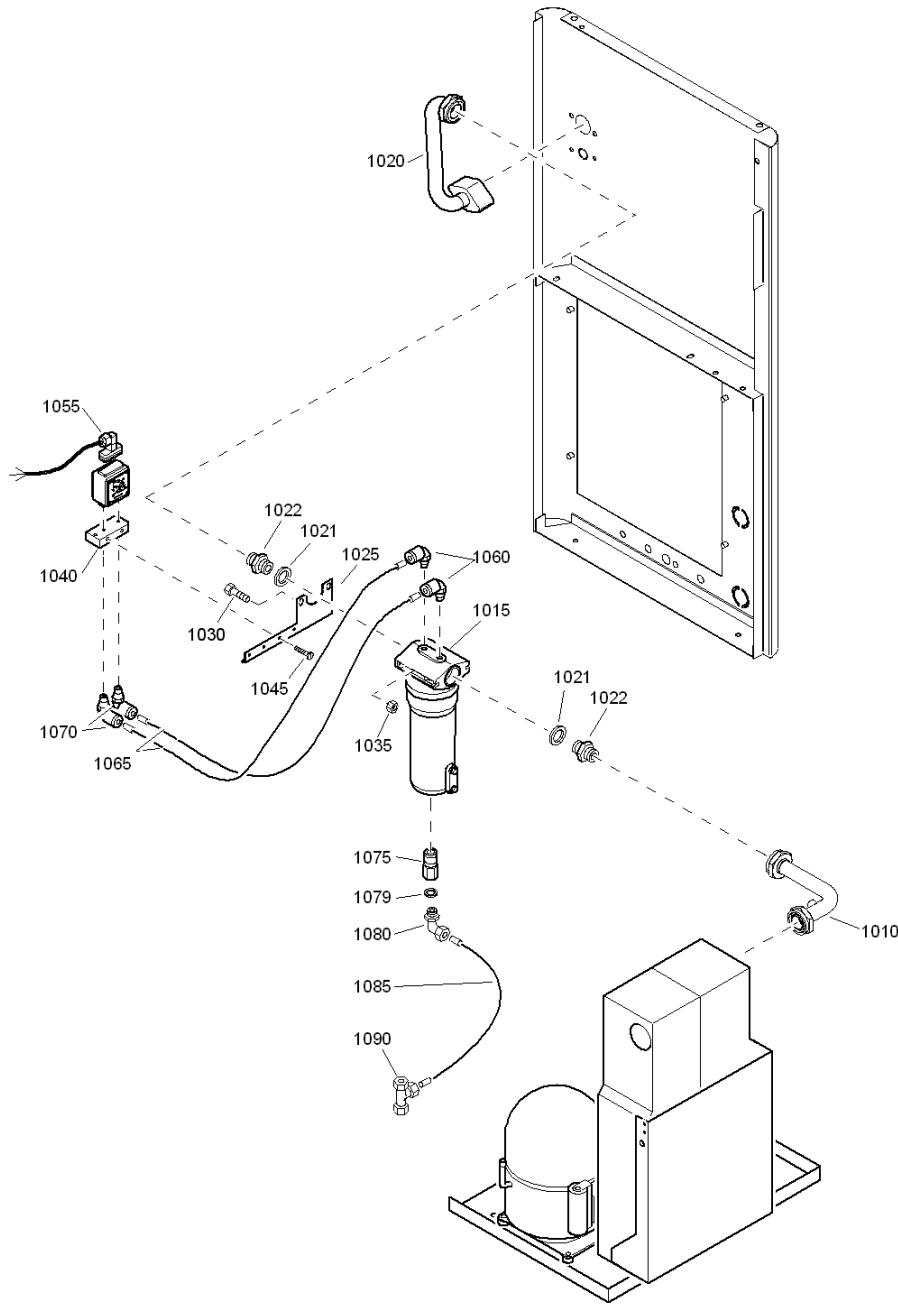
62425_03 62425_03

Ref.	Part number	Qty	Name	Remarks	Ref.	Part number	Qty	Name	Remarks
	8092 2454 25	1	DD/PD filter kit		1060	0583 8120 62	• 4	Push-in coupling	
1010	1622 1292 00	• 1	Pipe		1065	0070 6002 20	• AR	Plastic tube	
1015	<<< >>>	• 1	Filter DD 60		1070	0583 8120 10	• 4	Elbow coupling	
1020	1622 1294 00	• 1	Pipe		1075	1617 7082 02	• 2	Quick coupling	
1021	0661 1000 44	• 2	Seal washer		1079	0661 1000 38	• 2	Seal washer	
1022	2250 4983 00	• 2	Nipple		1080	0581 0000 35	• 2	Coupling	
1025	1622 0096 00	• 1	Bracket		1085	0070 6002 05	• AR	Plastic tube	
1030	0147 1323 03	• 2	Hexagon bolt		1090	0581 2000 18	• 2	Coupling	
1035	0266 2110 00	• 2	Nut		1095	<<< >>>	• 1	Filter PD 60	
1040	1617 7098 00	• 2	Support		1100	0215 0003 73	• 2	Hex.socket screw	
1045	0160 6060 00	• 4	Screw		1101	0266 2110 00	• 2	Nut	
1055	1622 0098 80	• 2	Wire assembly		1105	0663 2101 97	• 1	O-ring	



25

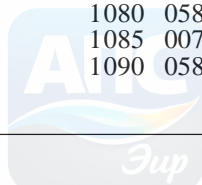
DD filter kit - Full feature



62426_03

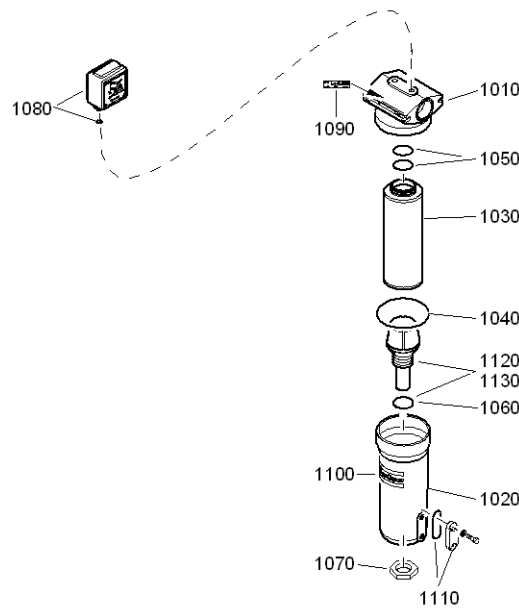
62426_03

Ref.	Part number	Qty	Name	Remarks	Ref.	Part number	Qty	Name	Remarks
	8092 2454 17	1	DD filter kit		1045	0160 6060 00	• 2	Screw	
1010	1622 1293 00	• 1	Pipe		1055	1622 0098 80	• 1	Wire assembly	
1015	<<<< >>>>	• 1	Filter DD 60		1060	0583 8120 62	• 2	Push-in coupling	
1020	1622 1294 00	• 1	Pipe		1065	0070 6002 20	• AR	Plastic tube	
1021	0661 1000 44	• 2	Seal washer		1070	0583 8120 10	• 2	Elbow coupling	
1022	2250 4983 00	• 2	Nipple		1075	1617 7082 02	• 1	Quick coupling	
1025	1622 0096 00	• 1	Bracket		1079	0661 1000 38	• 1	Seal washer	
1030	0147 1323 03	• 2	Hexagon bolt		1080	0581 0000 35	• 1	Coupling	
1035	0266 2110 00	• 2	Nut		1085	0070 6002 05	• AR	Plastic tube	
1040	1617 7098 00	• 1	Support		1090	0581 2000 18	• 1	Coupling(tee)	



DD/PD filter

26



62427_03

62427_03

Ref.	Part number	Qty	Name	Remarks	Ref.	Part number	Qty	Name	Remarks
	1617 7197 00	1	Filter		1050	0663 2109 64	•• 2	O-ring	
	1617 7198 00		DD 60		1060	0663 2111 29	•• 1	O-ring	
			PD 60		1070	1617 7046 00	• 1	Nut	
1010		• 1	Head		1080	1617 7269 00	• 1	Pressure difference indicator	
1020		• 1	Bowl		1090		• 1	Identification Label	
		• 1	Element kit		1100	0690 1106 01	• 1	House label	
	2901 0532 00		DD 60		1110	2901 0562 00	• 1	Sight glass kit	
	2901 0533 00		PD 60		1120	2901 0563 00	• 1	Automatic drain valve kit	
1030		•• 1	Filter element		1130	0663 2111 29	•• 1	O-ring	
1040	0663 2109 60	•• 1	O-ring						





+7(916) 033-41-41



apsair@apsair.ru

apsair.ru