

Atlas Copco Stationary Air Compressors

GA200, -250, -315 Pack

GA200W, -250W, -315W Pack

What sets Atlas Copco apart as a company is our conviction that we can only excel in what we do if we provide the best possible know-how and technology to really help our customers produce, grow and succeed.

There is a unique way of achieving that - we simply call it the Atlas Copco way. It builds on **interaction**, on long-term relationships and involvement in the customers' process, needs and objectives. It means having the flexibility to adapt to the diverse demands of the people we cater for.

It's the **commitment** to our customers' business that drives our effort towards increasing their productivity through better solutions. It starts with fully supporting existing products and continuously doing things better, but it goes much further, creating advances in technology through **innovation**. Not for the sake of technology, but for the sake of our customer's bottom line and peace-of-mind.

That is how Atlas Copco will strive to remain the first choice, to succeed in attracting new business and to maintain our position as the industry leader.

No. 2930 1157 01 / DC 93.05

Parts list



Page	Contents
Blz.	Inhoud
Sida	Innehåll
Seite	Inhaltsverzeichnis
Pag.	Table des matières
Pág.	Indice
Pag.	Indice

5	Drive arrangement Aandrijving Drivarrangemang Antriebsanordnung Entraînement Accionamiento Azionamento	17	Ölabsperrentil Soupape d'arrêt d'huile Válvula de cierre de aceite Valvola di arresto dell'olio
7	Air inlet, compressor mounting and motor Luchtinlaat, compressoropstelling en motor Luftintag, kompressormontering och motor Lufteinlaß, Kompressormontage und Motor Admission d'air, superstructure du compresseur et moteur Entrada de aire, piezas de montaje del compresor y motor Presa d'aria, supporto compressore e motore elettrico	18	Unloading valve Ontlastventiel Avlastningsventil Entlastungsventil Soupape de décharge Válvula de descarga Valvola di messa a vuoto
9	Air receiver and drain connections Luchtketel en aftapaansluitingen Luftbehållare och avtappningsanslutningar Luftbehälter und Ablassanschlüsse Réservoir d'air et connexions de vidange Depósito de aire y conexiones de drenaje Serbatoio dell'aria e connessioni di scarico	19	Minimum pressure valve Minimumdrukklep Minimetryckventil Mindestdruckventil Soupape à minimum de pression Válvula de presión mínima Valvola di minima pressione
11	Air and oil connections 1) Lucht- en olieaansluitingen Luft- och oljeanslutningar Luft- und Ölschlüsse Connexions d'air et d'huile Conexiones de aire y aceite Conessioni aria e olio	20	Water separator Waterafscheider Vattenavskiljare Wasserabscheider Séparateur d'eau Separador de agua Separatore di condensa
13	Air, oil and water connections 2) Lucht-, olie- en wateraansluitingen Luft-, olje- och vattenanslutningar Luft-, Öl- und Wasseranschlüsse Connexions d'air, d'huile et d'eau Conexiones de aire, aceite y agua Conessioni aria, olio e acqua	20	Oil cooler 2) Oliekoeler Oljekylare Ölkühler Refrroidisseur d'huile Refrigerador de aceite Refrigeratore dell'olio
15	Fan and cooling duct plates 1) Ventilator en koelgeleiplaten Fläkt och kylkanalplåtar Lüfter und Kühlluftführung Ventilateur et conduits de refroidissement Ventilador y paneles de conducción de refrigeración Ventilatore e intubatura	21	Oil cooler 2) Oliekoeler Oljekylare Ölkühler Refrroidisseur d'huile Refrigerador de aceite Refrigeratore dell'olio
16	Oil stop valve Olieafsluitklep Avstängningsventil, olja	23	Regulating connections Regelaansluitingen Regleringsanslutningar Regelanschlüsse Connexions de régulation Conexiones de regulación Conessioni della regolazione

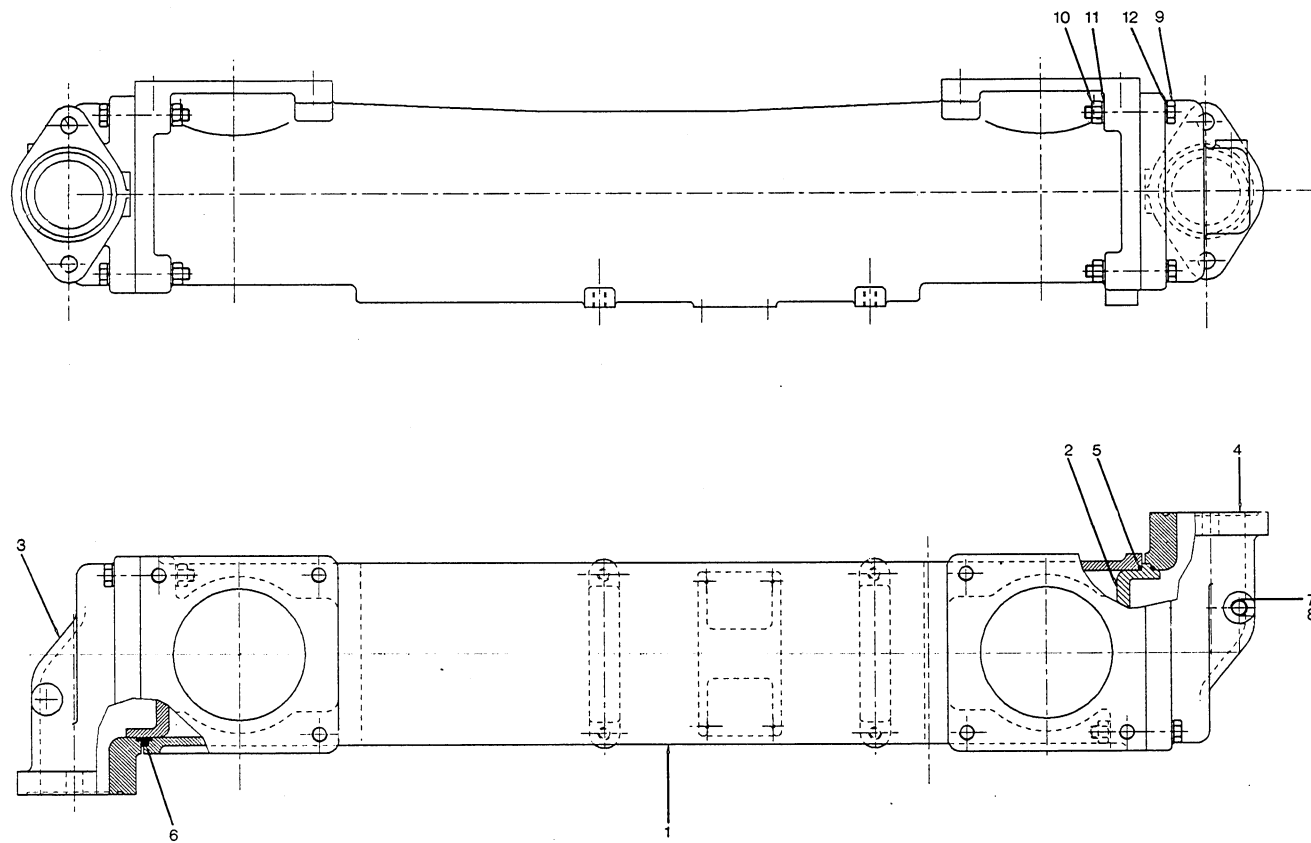
Service kits	Service kits
Service kits	Service kits
Service kits	Kit per la manutenzione
Service kits	

Ref.	A	D	Designation
1	2906 0199 00	1	Oil filter kit
	0661 1020 00	4	Gasket drain plug
	0661 1056 00	1	Gasket filler plug
	1614 7273 00	3	Oil filter element
	0661 1033 00	3	Gasket drain plug
	0653 1100 00	1	Gasket scavenge pipe
	0653 1046 00	1	Gasket scavenge pipe
2	2906 0200 00	1	Air/oil filter kit
	1030 0979 00	2	Air filter element
	0661 1020 00	4	Gasket drain plug
	0661 1056 00	1	Gasket filler plug
	1614 7273 00	3	Oil filter element
	0661 1033 00	3	Gasket drain plug
	0653 1100 00	1	Gasket scavenge pipe
	0653 1046 00	1	Gasket scavenge pipe
3	2906 0093 00	1	Check valve kit
	0663 3153 00	1	O-ring
	2254 5324 00	1	Check valve
	2254 8075 00	1	Spring
	0663 7145 00	1	O-ring
	0661 1020 00	1	Gasket
4	2906 0094 00	1	Oil stop valve kit
	0663 7142 00	1	O-ring
	0663 3120 00	1	O-ring
	0663 9868 00	2	O-ring
	0661 1020 00	1	Gasket
	2254 9868 00	1	Spring
	0663 7138 00	1	O-ring
5	2906 0201 00	1	Minimum pressure valve kit
	0663 3555 00	1	O-ring
	1619 6199 00	1	Seal ring
	1614 7279 00	1	Washer
	2254 9215 00	1	Lock plate
6	2906 0096 00	1	Water separator kit
	0663 7153 00	1	O-ring
	1202 3739 00	1	Membrane
	1614 7735 00	1	Insert
	0661 1026 00	1	Gasket
7	2906 0097 00	1	Unloading valve kit
	0663 2100 64	3	O-ring
	1619 6142 00	1	Seal ring
	1619 6143 00	1	Seal ring
	0663 2122 00	1	O-ring
8	2906 0202 00	1	Oil separator kit
	1614 7048 00	1	Oil separator element
	0663 2103 25	2	O-ring
	0653 1100 00	1	Gasket
	0653 1046 00	1	Gasket
	0663 7149 00	1	O-ring
	0663 7148 00	1	O-ring
9	2906 0203 00	1	Cooler kit (air-cooled version)
	0663 9868 00	2	O-ring
	0663 7148 00	3	O-ring
	0663 7149 00	1	O-ring
	0653 1124 00	1	Gasket
	0333 3232 00	2	Lock washer
10	2906 0204 00	1	Aftercooler kit (water-cooled version)
	0663 7149 00	3	O-ring
	0663 7148 00	1	O-ring
	0663 7138 00	3	O-ring
	1614 6256 00	4	O-ring
	0653 1062 00	1	Gasket drain plug
	0333 3237 00	8	Lock washer
11	2906 0205 00	1	Oil cooler kit (water-cooled)
	0663 7138 00	3	O-ring
	0663 9868 00	3	O-ring
	0653 1062 00	2	Gasket
	0661 1033 00	1	Gasket
	1614 6256 00	4	O-ring
	0333 3237 00	8	Lock washer
12	2906 0208 00	1	Element mounting kit
	0663 9868 00	5	O-ring
	1616 5551 00	1	Gasket bearing housing
	0337 6074 00	1	Key driven gear
	0663 2122 00	2	O-ring oil nozzle
	0663 2100 64	2	O-ring inlet valve
	0663 7142 00	1	O-ring oil stop valve
	0663 3120 00	1	O-ring oil stop valve
	0663 3153 00	1	O-ring check valve
	0211 1409 00	3	Cap screw
	0663 7145 00	1	O-ring check valve
13	2906 0209 00	1	Gearbox overhaul kit
	0663 7177 00	1	O-ring
	0506 2109 00	1	Bearing
	0506 0100 08	1	Bearing
	1616 5519 00	1	Bushing
	1616 5517 00	1	Lip seal
	0663 7154 00	1	O-ring
	0211 1407 00	8	Cap screw
	2906 0206 00	1	Maintenance kit 4000 h or yearly
	2 2906 0200 00	1	Air/oil filter kit
	3 2906 0093 00	2	Check valve kit
	4 2906 0094 00	2	Oil stop valve kit
	5 2906 0201 00	1	Minimum pressure valve kit
	6 2906 0096 00	1	Water separator kit
	2906 0207 00	1	Maintenance Kit 8000 h or every 2 years
	2906 0206 00	1	4000 h - Maintenance kit
	7 2906 0097 00	2	Unloading valve kit
	8 2906 0202 00	1	Oil separator kit
	2906 0091 00	1	Regulating valve kit
	2901 0015 00	1	Venting valve kit
	1619 7560 00	2	Thermostatic valve
	0663 9868 00	3	O-ring



48_127_0.0_0

Aftercooler
 Nakoeler
 Efterkylare
 Nachkühler
 Refroidisseur final
 Refrigerador posterior
 Refrigeratore finale



Ref.	A	B	C	D	Designation
-				1	Aftercooler
	1614 7338 06		Sa		- "
	1614 7338 08				- "
1	1614 7384 00	■		1	Housing
2	1614 6243 00	■		1	Core
3	1614 7382 00	■		1	Cover
4	1614 7381 00	■		1	Cover
5	1614 6256 00	■	10	4	O-ring
6	1614 6257 00	■		1	Ring
7	0653 1062 00	■	10	1	Gasket
8	0686 3716 01	■		1	Plug

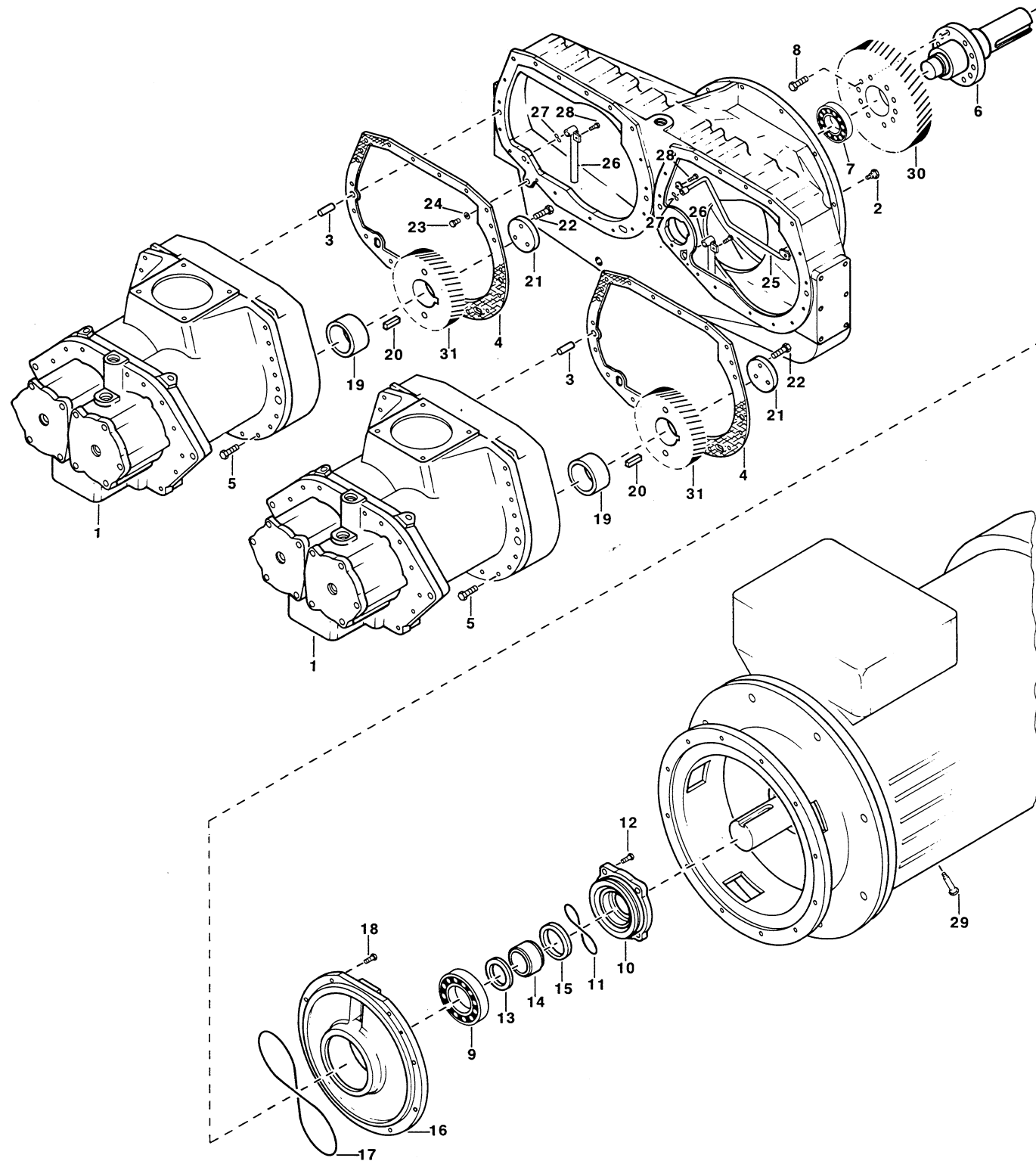
Ref.	A	B	C	D	Designation
9	0147 1408 03	■		8	Bolt
10	0266 2112 00	■		8	Nut
11	0333 2136 00	■	10	8	Lock washer
12	0301 2358 00	■		8	Washer
10 2906 0204 00: Aftercooler kit					
1614 7338 10 01					
09_095_0_0_1					

Page	Contents
Blz.	Inhoud
Sida	Innehåll
Seite	Inhaltsverzeichnis
Pag.	Table des matières
Pág.	Indice
Pag.	Indice

25	Bodywork 1) Karosserie Karosseri Karosserie Capotage Carrocería Cappottatura	1)	Armario con arrancador estrella-triángulo Siemens 50-60 Hz Armadio con avviatore stella/triangolo Siemens 50-60 Hz
27	Bodywork 2) Karosserie Karosseri Karosserie Capotage Carrocería Cappottatura	2)	35 Cubicle with Siemens star-delta starter 60 Hz CSA/UL variant 1) Kast met Siemens ster-driehoek starter 60 Hz Skåp med Siemens stjärn-triangelstartare 60 Hz Schaltschrank mit Siemens Stern-Dreieck Anlasser 60 Hz Armoire avec démarreur étoile-triangle Siemens 60 Hz Armario con arrancador estrella-triángulo Siemens 60 Hz Armadio con avviatore stella/triangolo Siemens 60 Hz
28	Position of labels 1) Plaats van etiketten Läge på etiketter Lage der Etiketten Position des autocollants Ubicación de etiquetas Posizione delle etichette adesive	1)	37 Cubicle with Siemens star-delta starter 60 Hz CSA/UL variant 2) Kast met Siemens ster-driehoek starter 60 Hz Skåp med Siemens stjärn-triangelstartare 60 Hz Schaltschrank mit Siemens Stern-Dreieck Anlasser 60 Hz Armoire avec démarreur étoile-triangle Siemens 60 Hz Armario con arrancador estrella-triángulo Siemens 60 Hz Armadio con avviatore stella/triangolo Siemens 60 Hz
29	Position of labels 2) Plaats van etiketten Läge på etiketter Lage der Etiketten Position des autocollants Ubicación de etiquetas Posizione delle etichette adesive	2)	38 Aftercooler 2) Nakoeler Efterkylare Nachkühler Refroidisseur final Refrigerador posterior Refrigeratore finale
31	Cubicle with Siemens star-delta starter 50-60 Hz Kast met Siemens ster-driehoek starter 50-60 Hz Skåp med Siemens stjärn-triangelstartare 50-60 Hz Schaltschrank mit Siemens Stern-Dreieck Anlasser 50-60 Hz Armoire avec démarreur étoile-triangle Siemens 50-60 Hz Armario con arrancador estrella-triángulo Siemens 50-60 Hz Armadio con avviatore stella/triangolo Siemens 50-60 Hz	1)	39 Service kits Service kits Service kits Service Kits Service kits Service kits Kit per la manutenzione
33	Cubicle with Siemens star-delta starter 50-60 Hz Kast met Siemens ster-driehoek starter 50-60 Hz Skåp med Siemens stjärn-triangelstartare 50-60 Hz Schaltschrank mit Siemens Stern-Dreieck Anlasser 50-60 Hz Armoire avec démarreur étoile-triangle Siemens 50-60 Hz	2)	1) Air-cooled versions / Luchtgekoelde versies / Luftkylda utföranden / Luftgekühlte Ausführungen / Versions refroidies par air / Variantes refrigeradas por aire / Versioni raffreddate ad aria 2) Water-cooled versions / Watergekoelde versies / Vattenkylda utföranden / Wassergekühlte Ausführungen / Versions refroidies par eau / Variantes refrigeradas por agua / Versioni raffreddate ad acqua



Cubicle with Siemens star-delta starter 60 Hz CSA/UL variant 1)
 Kast met Siemens ster-driehoek starter
 Skåp med Siemens stjärn-triangelstartare
 Schaltschrank mit Siemens Stern-Dreieck Anlasser
 Armoire avec démarreur étoile-triangle Siemens
 Armario con arrancador estrella-triángulo Siemens
 Armadio con avviatore stella/triangolo Siemens



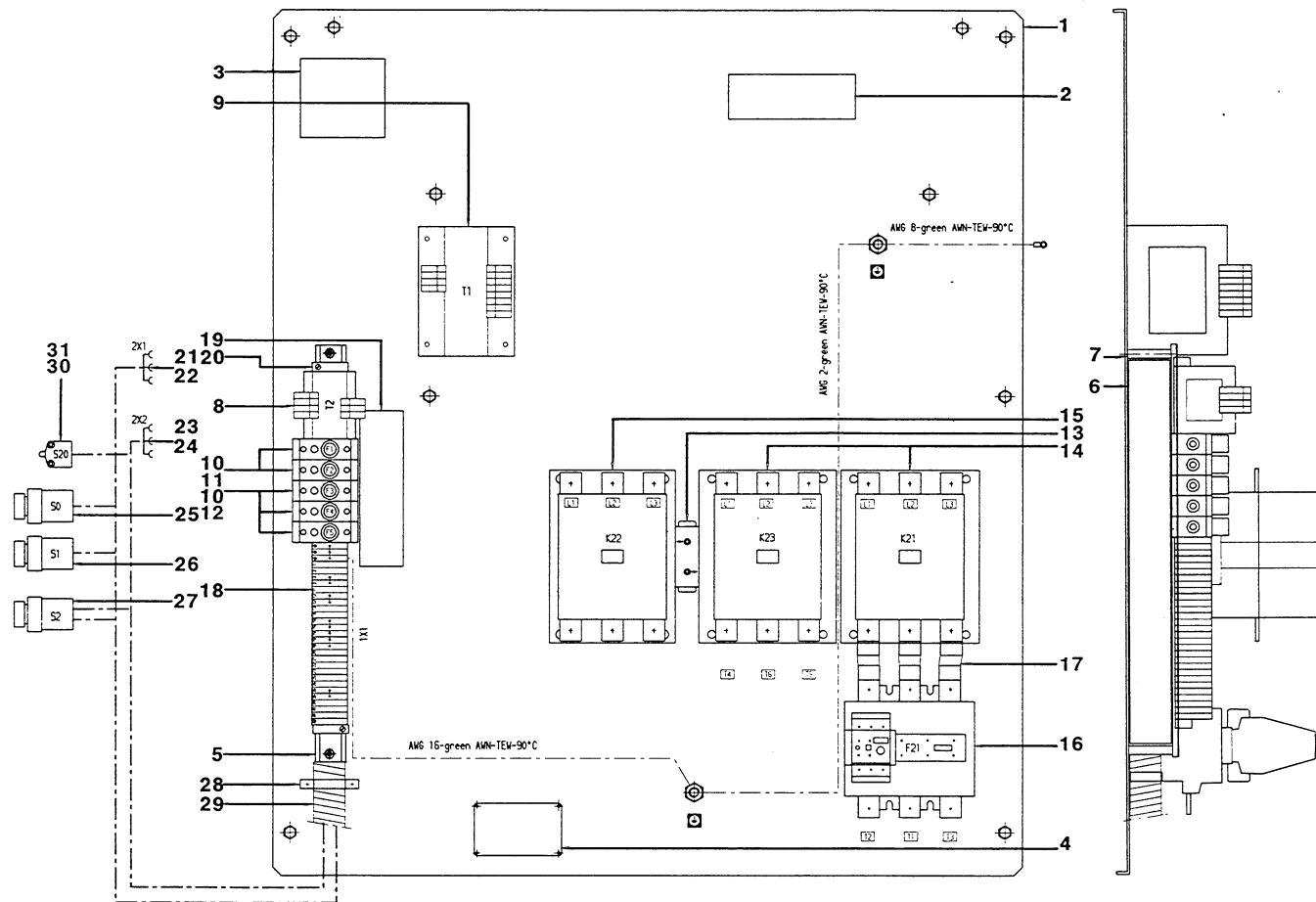
Ref.	A	B	C	D	Designation	Ref.	A	B	C	D	Designation
-				1	Cubicle	18	1089 0506 09	■		31	Terminal
1900 0165 24		2)			- "	19	1614 6970 00	■		1	Label
1900 0165 25		3)			- "	20	1089 0506 30	■		2	End bracket
1900 0165 26		4)			- "	21	1088 0016 06	■		1	Plug
1	1614 7236 00	■		1	Mounting panel	22	1088 0016 51	■		11	Socket
2	1614 3559 00	■		1	Label	23	1088 0016 09	■		1	Plug
3	1615 4435 00	■		1	Label	24	1088 0016 51	■		10	Socket
4	1613 3046 00	■		1	Data plate	25	1089 0362 05	■		1	Push button
5	0090 1400 02	■		AR	Rail	26	1089 0362 15	■		1	Push button
6	1088 0851 13	■		AR	Raceway	27	1089 0362 16	■		1	Push button
7	0324 1132 00	■		2	Spacer	28	1613 0801 06	■		2	Clamp
8	1089 9136 27	■		1	Transformer	29	0070 7250 08	■		AR	Tube
9	1089 9136 25	■		1	Transformer	30	1089 0304 04	■		1	Limit switch
10	1089 9049 04	■		5	Fuse holder	31	1614 7581 00	■		1	Bracket
11	1089 9168 26	■		2	Fuse link						
12	1089 9168 02	■		3	Fuse link						
13	1089 9216 03	■		1	Interlock						
14		■		2	Contacteur						
	1089 9221 50		2)3)		- "						
	1089 9221 51		4)		- "						
15		■		1	Contacteur						
	1089 9221 49		2)3)		- "						
	1089 9221 50		4)		- "						
16		■		1	Overload relay						
	1089 9174 01		2)		- "						
	1089 9174 04		3)		- "						
	1089 9174 02		4)		- "						
17		■		1	Link						
	1089 9215 04		2)		- "						
	1089 9215 03		3)4)		- "						

1) Only for water-cooled versions / Enkel voor watergekoelde versies / Endast för vattenkylda utföranden / Nur für wassergekühlte Ausführungen / Uniquement pour versions refroidies par eau / Unicamente para variantes refrigeradas por agua / Solo per versioni raffreddate ad acqua
 2) GA200W 575V/60Hz Control voltage 115V/60Hz, GA250W 575V/60Hz Control voltage 115V/60Hz
 3) GA200W 440-460V/60Hz Control voltage 115V/60Hz, GA315W 575V/60Hz Control voltage 115V/60Hz
 4) GA250W 440-460V/60Hz Control voltage 115V/60Hz, GA315W 440-460V/60Hz Control voltage 115V/60Hz

1900 0165 24 01/1900 0165 25 01/1900 0165 26 02
 29_360_0_0_0

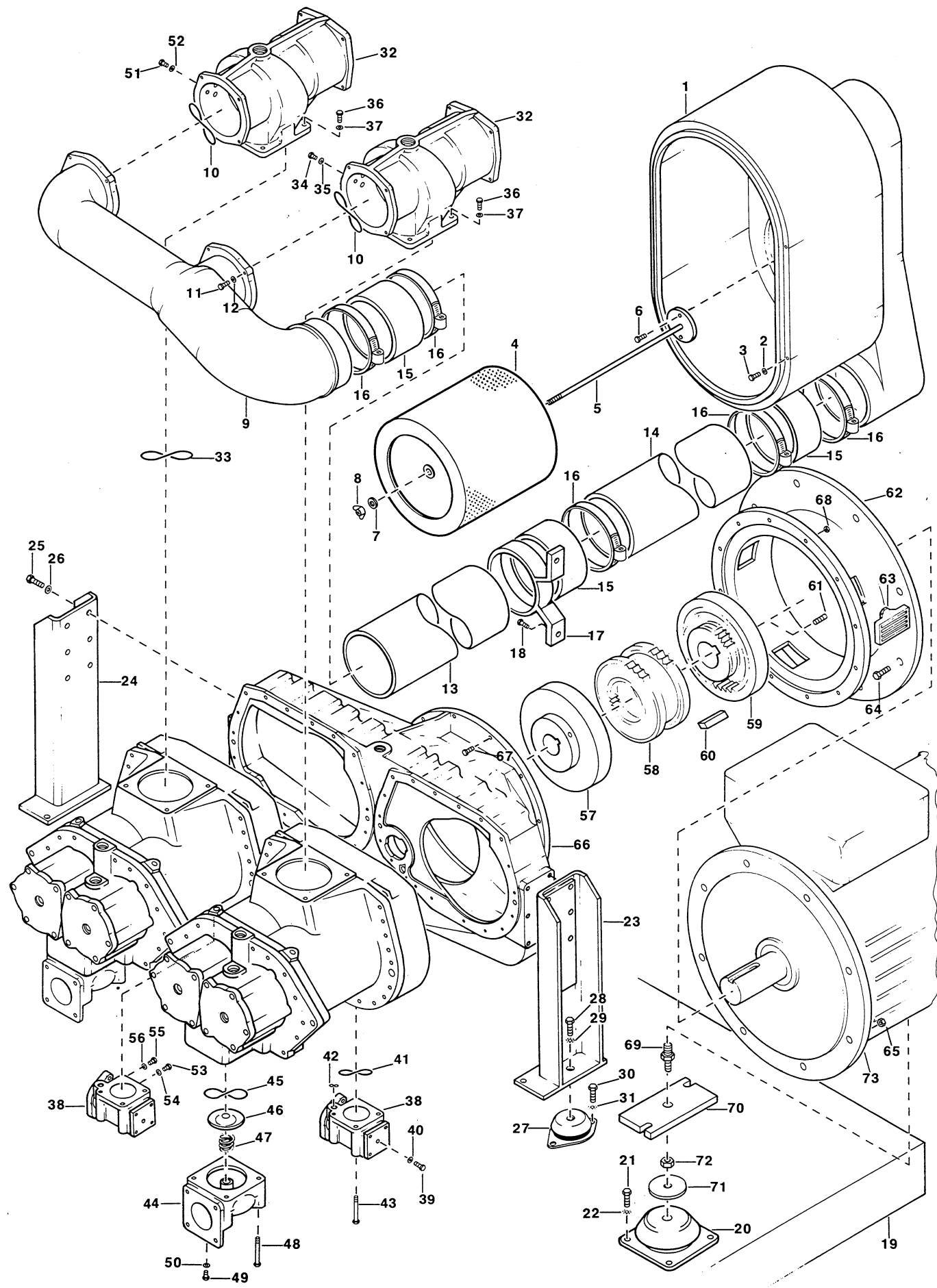


Drive arrangement
Aandrijfuitvoering
Arrangemang
Antriebsanordnung
Entrainement
Accionamiento
Azionamento



Ref.	A	B	C	D	Designation	Ref.	A	B	C	D	Designation
1	2989 0122 00			2	Service stage	1616 5564 00					- GA200-150psi, GA200-125psi SAA
2	1619 6032 00		1)	1	Nipple	1616 5566 00					- GA250-125psi, GA250-100psi SAA, GA315-125psi SAA
3	0101 1626 00			4	Pin	1616 5568 00					- GA250-150psi, GA250-125psi SAA
4	1616 5551 00		12	2	Gasket	1616 5552 00					- GA315-100psi
5	0147 1380 03			36	Bolt	1616 5555 00				2	Gearwheel
6	1616 5520 00			1	Drive shaft	1616 5557 00					- GA200-7.5bar, GA250-100psi, GA315-125psi, GA315-100psi SAA
7	0506 2109 00		13	1	Bearing	1616 5559 00					- GA250-7.5bar
8	0211 1407 00		13	10	Cap screw	1616 5561 00					- GA250-10bar
9	0506 0100 08		13	1	Bearing	1616 5563 00					- GA200-125psi, GA200-100psi SAA
10	1616 5515 00			1	Retainer	1616 5565 00					- GA200-150psi, GA200-125psi SAA
11	0663 7154 00		13	1	O-ring	1616 5567 00					- GA250-125psi, GA250-100psi SAA, GA315-125psi SAA
12	0147 1364 03			4	Bolt	1616 5569 00					- GA250-150psi, GA250-125psi SAA
13	1616 5518 00			1	Washer	1616 5553 00					- GA315-100psi
14	1616 5519 00		13	1	Bushing	12 2906 0208 00: Element mounting kit					
15	1616 5517 00		13	1	Lip seal	13 2906 0209 00: Gearbox overhaul kit					
16	1616 5516 00			1	Bearing housing	1) SPM vibration monitoring / SPM trillingskontrolle / SPM vibrationskontroll / SPM Vibrationsüberwachung / Contrôle de vibrations SPM / Supervisión de vibraciones SPM / Monitoraggio delle vibrazioni, in corse al minuto					
17	0663 7177 00		13	1	O-ring	1611 5906 61 03/1611 5911 90 02/1611 5911 91 02/ 1611 5911 92 01/1611 5911 93 02/1611 5911 96 01/ 1611 5911 97 01/1611 5911 98 01/1611 5911 99 01/ 1611 5936 90 01					
18	0147 1365 03			8	Bolt	30_123_0_0_1					
19	2254 8831 00			2	Bushing						
20	0337 6074 00		12	2	Key						
21	2252 5470 00			2	Washer						
22	0211 1409 00		12	6	Cap screw						
23	0686 3716 02			3	Plug						
24	0661 1033 00			3	Gasket						
25	1616 5527 00			1	Oil pipe						
26	1616 5526 00			2	Drain pipe						
27	0663 2122 00		12	3	O-ring						
28	0147 1244 03			4	Bolt						
29	1619 6032 03		1)	2	Nipple						
30	1616 5554 00			1	Gearwheel						
					- GA200-7.5bar, GA250-100psi, GA315-125psi, GA315-100psi SAA						
	1616 5556 00				- GA250-7.5bar						
	1616 5558 00				- GA200-10bar, GA200-100psi						
	1616 5560 00				- GA250-10bar						
	1616 5562 00				- GA200-125psi, GA200-100psi SAA						





Cubicle with Siemens star-delta starter
 Kast met Siemens ster-driehoek starter
 Skåp med Siemens stjärn-triangelstartare
 Schaltschrank mit Siemens Stern-Dreieck Anlasser
 Armoire avec démarreur étoile-triangle Siemens
 Armario con arrancador estrella-triángulo Siemens
 Armadio con avviatore stella/triangolo Siemens

60 Hz CSA/UL variant 1)

Ref.	A	B	C	D	Designation
-				1	Cubicle
1900 0165 09		2)		-	"
1900 0165 10		3)		-	"
1900 0165 11		4)		-	"
1 1614 7236 00	■			1	Mounting panel
2 1614 3559 00	■			1	Label
3 1615 4435 00	■			1	Label
4 1613 3046 00	■			1	Data plate
5 0090 1400 02	■			AR	Rail
6 1088 0851 13	■			AR	Raceway
7 0324 1132 00	■			2	Spacer
8 1089 9136 27	■			1	Transformer
9 1089 9136 25	■			1	Transformer
10 1089 9049 04	■			5	Fuse holder
11 1089 9168 26	■			2	Fuse link
12 1089 9168 02	■			3	Fuse link
13 1089 9216 03	■			1	Interlock
14	■			1	Contactors
1089 9319 35		2)		-	"
1089 9319 36		3)4)		-	"
15	■			2	Contactors
1089 9221 50		2)3)		-	"
1089 9221 51		4)		-	"
16	■			1	Contactors
1089 9221 49		2)3)		-	"
1089 9221 50		4)		-	"
17	■			1	Overload relay
1089 9174 01		2)		-	"
1089 9174 04		3)		-	"
1089 9174 02		4)		-	"
18	■			1	Link
1089 9215 04		2)		-	"
1089 9215 03		3)4)		-	"

Ref.	A	B	C	D	Designation
19 1089 9180 06	■			2	Circuit breaker
20 1089 0506 09	■			31	Terminal
21 1614 6970 00	■			1	Label
22 1089 0506 30	■			2	End bracket
23 1088 0016 06	■			1	Plug
24 1088 0016 51	■			11	Socket
25 1088 0016 09	■			1	Plug
26 1088 0016 51	■			10	Socket
27 1089 0362 05	■			1	Push button
28 1089 0362 15	■			1	Push button
29 1089 0362 16	■			1	Push button
30 1613 0801 06	■			2	Clamp
31 0070 7250 08	■			AR	Tube
32 1089 0304 04	■			1	Limit switch
33 1614 7581 00				1	Bracket

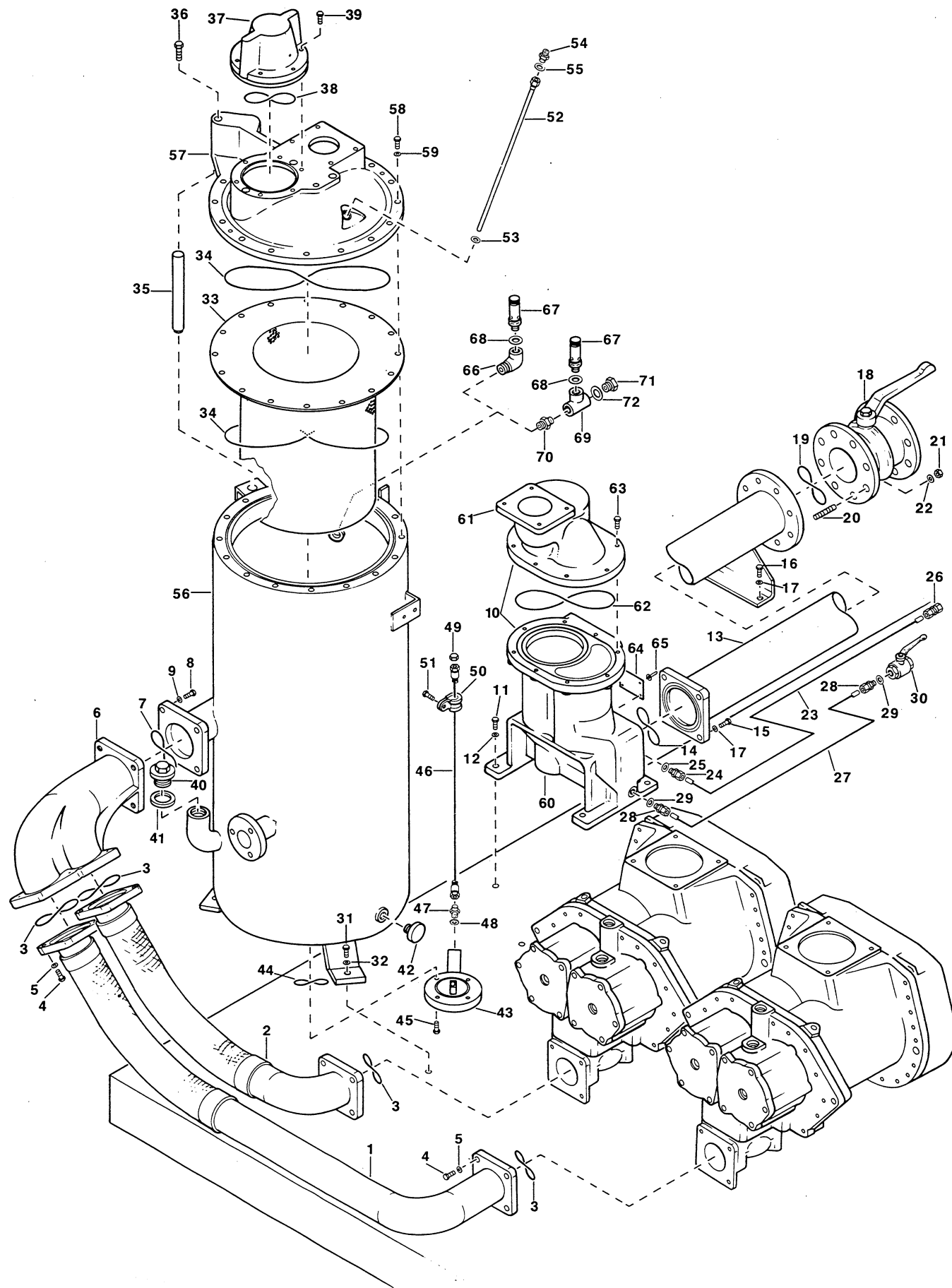
1) Only for air-cooled versions / Enkel voor luchtgekoelde versies / Endast för luftkylda utföranden / Nur für luftgekühlte Ausführungen / Uniquement pour versions refroidies par air / Unicamente para variantes refrigeradas por aire / Solo per versioni raffreddate ad aria
 2) GA200 575V/60Hz Control voltage 115V/60Hz, GA250 575V/60Hz Control voltage 115V/60Hz
 3) GA200 440-460V/60Hz Control voltage 115V/60Hz, GA315 575V/60Hz Control voltage 115V/60Hz
 4) GA250 440-460V/60Hz Control voltage 115V/60Hz, GA315 440-460V/60Hz Control voltage 115V/60Hz

1900 0165 09 01/1900 0165 10 01/1900 0165 11 02
 29_359_0_0_0



Cubicle with Siemens star-delta starter
 Kast met Siemens ster-driehoek starter
 Skåp med Siemens stjärn-triangelstartare
 Schaltschrank mit Siemens Stern-Dreieck Anlasser
 Armoire avec démarreur étoile-triangle Siemens
 Armario con arrancador estrella-triángulo Siemens
 Armadio con avviatore stella/triangolo Siemens

50-60 Hz 1)



Ref.	A	B	C	D	Designation
-				1	Cubicle
	1900 0164 24	2)			- "
	1900 0164 27	3)			- "
	1900 0164 30	4)			- "
	1900 0164 49	5)			- "
	1900 0164 67	6)			- "
	1900 0164 68	7)			- "
1	1614 7236 00	■		1	Mounting panel
2	1614 3559 00	■		1	Label
3	1615 4435 00	■		1	Label
4	1613 6639 00	■		1	Data plate
5	0090 1400 02	■		AR	Rail
6	1088 0851 13	■		AR	Raceway
7	0324 1132 00	■		2	Spacer
8	1089 9136 19	■		1	Transformer
9	1089 9136 14	■		1	Transformer
10	1089 9083 13	■		2	Fuse holder
11	1619 3332 00	■		2	Fuse
12		■		1	Circuit breaker
	1089 9203 02		4)5)		- "
	1089 9203 11		2)3)6)7)		- "
13	1089 9203 04	■		2	Circuit breaker
14		■		2	Contactors
	1089 9221 11		2)		- "
	1089 9221 12		3)		- "
	1089 9221 37		4)		- "
	1089 9221 38		5)		- "
	1089 9221 24		6)		- "
	1089 9221 25		7)		- "
15		■		1	Contactors
	1089 9221 10		2)		- "
	1089 9221 11		3)		- "
	1089 9221 36		4)		- "
	1089 9221 37		5)		- "
	1089 9221 23		6)		- "
	1089 9221 24		7)		- "

Ref.	A	B	C	D	Designation
16		■		1	Overload relay
	1089 9174 04		2)4)6)		- "
	1089 9174 02		3)5)7)		- "
17	1089 9215 03	■		1	Link
18	1089 0506 09	■		24	Terminal
19	1089 0506 10	■		3	Terminal
20	1089 0506 30	■		2	End bracket
21	1900 0003 02	■		1	Earth rail
22	1088 0016 06	■		1	Plug
23	1088 0016 51	■		11	Socket
24	1088 0016 09	■		1	Plug
25	1088 0016 51	■		10	Socket
26	1089 0362 05	■		1	Push button
27	1089 0362 15	■		1	Push button
28	1089 0362 16	■		1	Push button
29	1613 0801 06	■		2	Clamp
30	0070 7250 08	■		AR	Tube

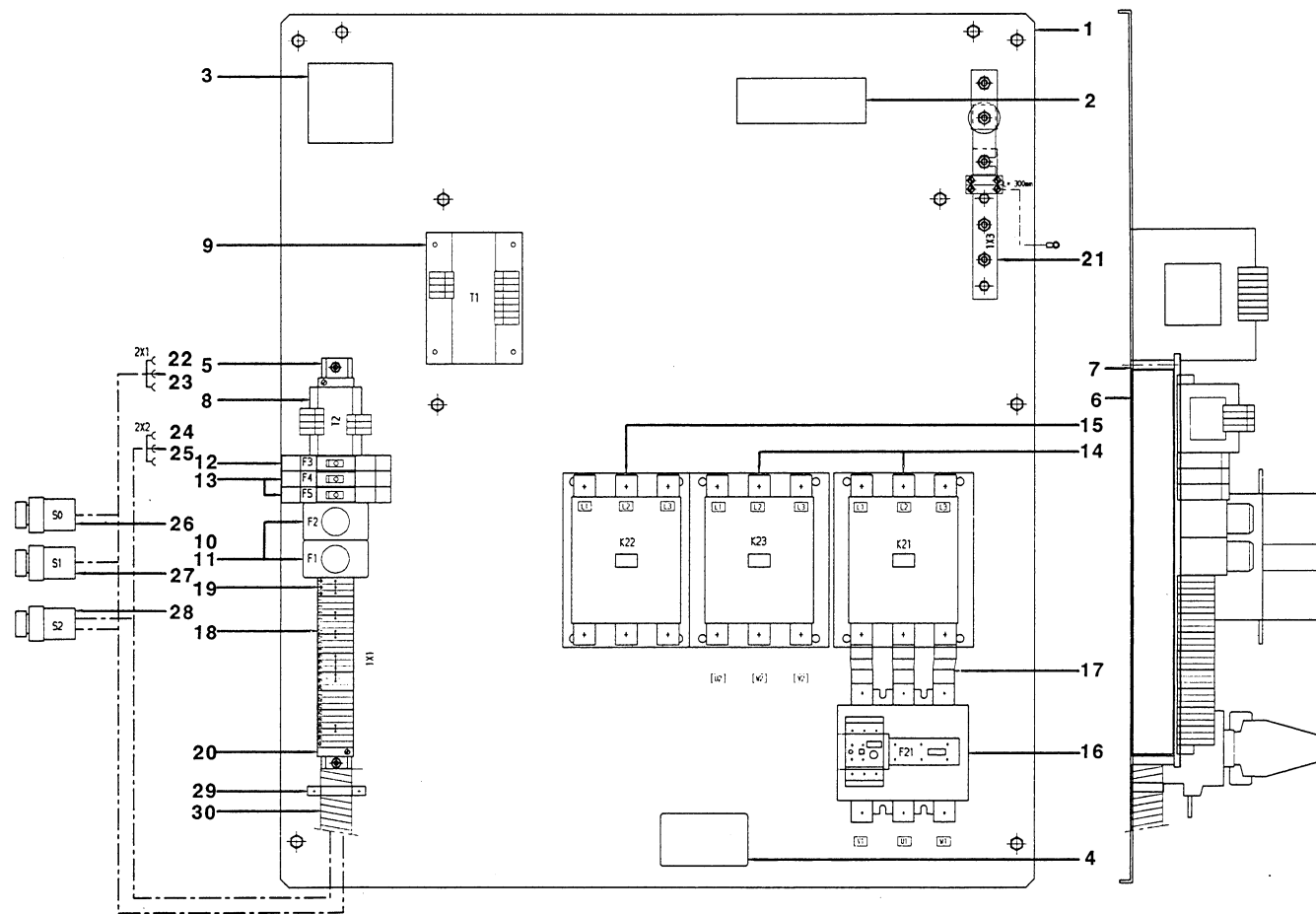
1) Only for water-cooled versions / Enkel voor watergekoelde versies / Endast för vattenkylda utföranden / Nur für wassergekühlte Ausführungen / Uniquement pour versions refroidies par eau / Unicamente para variantes refrigeradas por agua / Solo per versioni raffreddate ad acqua
 2) GA200W 380-415V/50Hz Control voltage 220V/50Hz, GA200W 500V/50Hz Control voltage 220V/50Hz
 3) GA250W 380-415V/50Hz Control voltage 220V/50Hz
 4) GA200W 380-415V/50Hz Control voltage 110V/50Hz
 5) GA250W 380-415V/50Hz Control voltage 110V/50Hz
 6) GA200W 440-460V/60Hz Control voltage 220V/60Hz
 7) GA200W 380V/60Hz Control voltage 220V/60Hz, GA250W 380V/60Hz Control voltage 220V/60Hz, GA250W 440-460V/60Hz Control voltage 220V/60Hz, GA315W 440-460V/60Hz Control voltage 220V/60Hz

1900 0164 24 02/1900 0164 27 02/1900 0164 30 02/
 1900 0164 49 02/1900 0164 67 01/1900 0164 68 01
 29_358_0_0_0



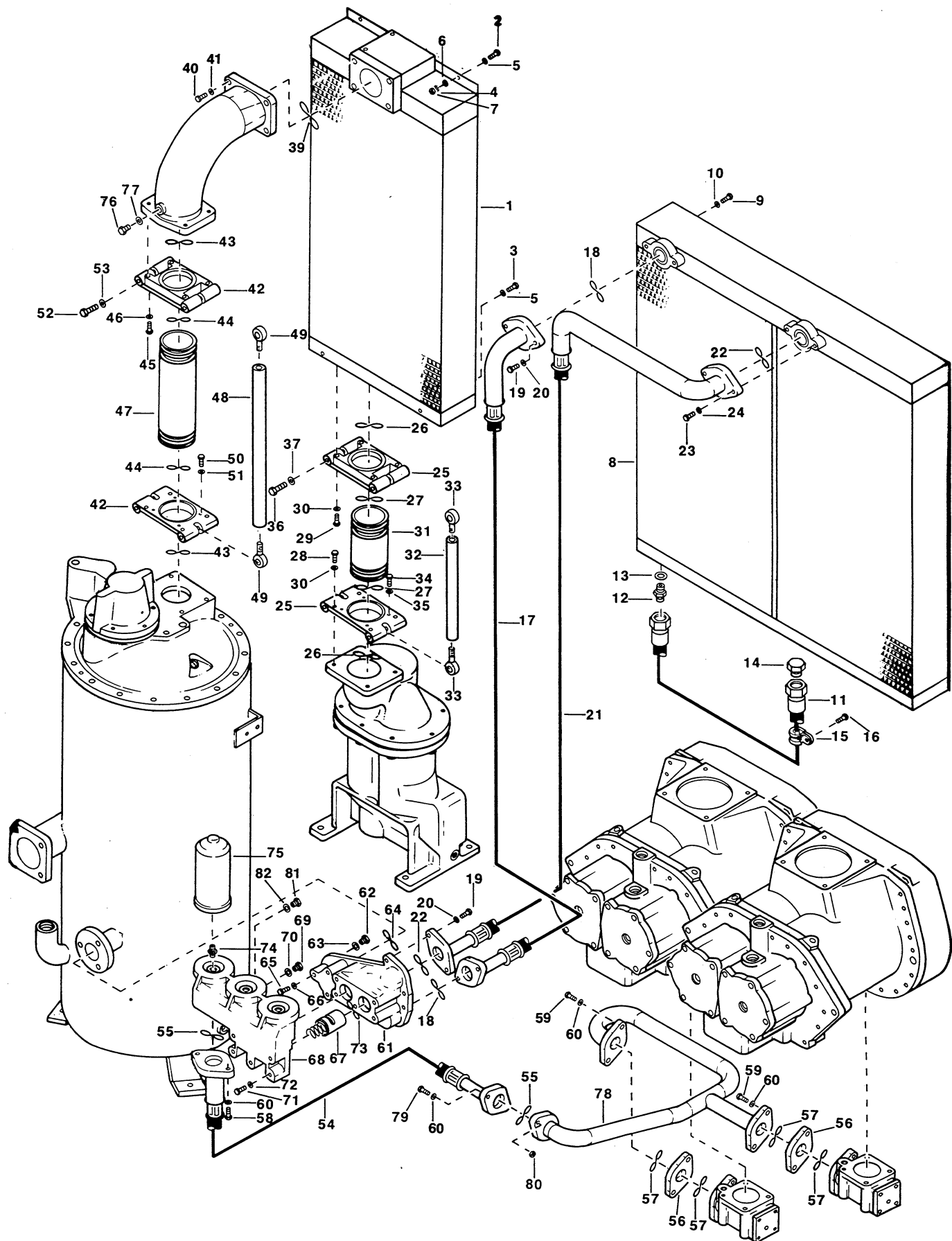
Air receiver and drain connections
Luchtketel en aftapaansluitingen
Luftbehållare och avtappningsanslutningar
Luftbehälter und Ablaßanschlüsse

Réservoir d'air et connexions de vidange
Depósito de aire y conexiones de drenaje
Serbatoio dell'aria e connessioni di scarico



Ref.	A	B	C	D	Designation	Ref.	A	B	C	D	Designation
1	1614 7045 00			1	Hose assembly	56				1	Air receiver
2	1614 7046 00			1	Hose assembly	1614 7047 00	L				- "
3	0663 7145 00		3,12	4	O-ring	1614 7047 02	As				- "
4	0147 1403 03			16	Bolt	1614 7047 03	T				- "
5	0301 2358 00			16	Washer	1614 7047 04	Ta				- "
6	1614 7055 00			1	Collector	1614 7047 05	D				- "
7	0663 3153 00			1	O-ring	1614 7047 06	Sa				- "
8	0147 1404 03			4	Bolt	1614 7047 07	An				- "
9	0301 2358 00			4	Washer	1614 7047 09	S				- "
10	---			1	Water separator	57				1	Housing
11	0147 1402 03			4	Bolt	1614 7274 07	An				- "
12	0301 2358 00			4	Washer	1614 7274 04	Ta				- "
13	1614 7054 00			1	Pipe	1614 7274 00					- "
14	0663 7153 00			1	O-ring	58				16	Bolt
15	0147 1404 03			4	Bolt	0147 1960 34	(An)				- "
16	0147 1400 03			2	Bolt	0147 1480 03					- "
17	0301 2358 00			6	Washer	59 0301 2378 00				16	Washer
18	1614 7662 00			1	Ball valve	- 1614 6485 80				1	Water separator
19	0663 3153 00			1	O-ring	60 9825 9000 29	■			1	Housing
20	0246 1378 04			8	Stud	61 9825 9000 28	■			1	Cover
21	0266 2114 00			8	Nut	62 0663 7868 00	■			1	O-ring
22	0301 2378 00			8	Washer	63 0147 1365 03	■			8	Bolt
23	0075 5551 39			AR	Pipe	64 9825 9000 06	■			1	Data plate
24	0582 0016 00			1	Pipe coupling	65 0244 4184 00	■			4	Drive screw
25	0661 1033 00			1	Gasket	66 0560 0200 21				1	- Elbow
26	0582 1016 00			1	Pipe coupling	67				1	Safety valve
27	0075 5551 39			AR	Pipe	0830 1006 91	An				- 10bar
28	0582 0016 00			2	Pipe coupling	0830 1006 84	(Ta)				- 10 bar
29	0661 1033 00			2	Gasket	0830 1006 79					- 12 bar
30	1619 6153 04			1	Ball valve	68				1	Gasket
31	0147 1478 03			3	Bolt	0653 1227 00	(An)				- "
32	0301 2378 00			3	Washer	0653 1254 00					- "
33	1614 7048 00		8	1	Separator	69				1	- Tee
34	0663 2103 25		8	2	O-ring	0564 0000 33	(T)				- "
35	1614 6432 00			1	Pivot pin	0564 0000 35	(An)				- "
36	0147 1479 03			1	Bolt	70				1	- Nipple
37	---			1	Minimum pressure valve	0603 4108 03	(T)				- "
38	0663 3555 00		5	1	O-ring	0603 5126 03	(An)				- "
39	0147 1366 03			6	Bolt	71				1	- Plug
40	2250 2528 00			1	Plug	0686 3716 10	(T)				- "
41	0661 1056 00		1,2	1	Gasket	0686 3716 09	(An)				- "
42	1089 0529 02			1	Level sensor	72				1	- Gasket
43	1614 7213 00			1	Cover	0653 1254 00	(T)				- "
44	0663 7142 00			1	O-ring	0653 1227 00	(An)				- "
45	0147 1362 03			4	Bolt						
46	1614 6518 02			1	Hose assembly						
47	1615 2796 00			1	Nipple						
48	0653 1165 00			2	Gasket						
49	1614 7224 00			1	Plug						
50	0346 1002 10			1	Clamp						
51	1619 5337 01			1	Bolt						
52	1614 6519 02			1	Scavenge line						
53	0653 1100 00		1,2,8	1	Gasket	1611 5915 90 01/1611 5915 91 02/1611 5915 92 01/					
54	1614 6561 00			1	Nozzle	1611 5915 93 03/1611 5915 94 01/1611 5915 95 01/					
55	0653 1046 00		1,2,8	1	Gasket	1611 5915 96 04/1611 5915 98 01/1611 5917 61 02/					
						1611 5918 61 05/1614 7047 87 02/1614 6485 80 01					
						39_245_0_0_1					





Cubicle with Siemens star-delta starter
 Kast met Siemens ster-driehoek starter
 Skåp med Siemens stjärn-triangelstartare
 Schaltschrank mit Siemens Stern-Dreieck Anlasser
 Armoire avec démarreur étoile-triangle Siemens
 Armario con arrancador estrella-triángulo Siemens
 Armadio con avviatore stella/triangolo Siemens

50-60 Hz 1)

Ref.	A	B	C	D	Designation
-				1	Cubicle
	1900 0164 12		2)		"
	1900 0164 14		3)		"
	1900 0164 71		4)		"
	1900 0164 72		5)		"
	1900 0164 58		6)		"
	1900 0164 59		7)		"
	1900 0164 73		8)		"
1	1614 7236 00	■		1	Mounting panel
2	1614 3559 00	■		1	Label
3	1615 4435 00	■		1	Label
4		■		1	Data plate
	0690 3401 41		3)5)		"
	1613 6639 00		2)4)6)7)8)		"
5	0090 1400 02	■			AR Rail
6	1088 0851 13	■			AR Raceway
7	0324 1132 00	■		2	Spacer
8	1089 9136 19	■		1	Transformer
9	1089 9136 14	■		1	Transformer
10	1089 9083 13	■		2	Fuse holder
11	1619 3332 00	■		2	Fuse
12		■		1	Circuit breaker
	1089 9203 02		4)5)		"
	1089 9203 11		2)3)6)7)8)		"
13	1089 9203 04	■		2	Circuit breaker
14		■			Contactors
	1089 9319 23		2)3)	2	"
	1089 9319 29		4)	2	"
	1089 9319 30		5)	2	"
	1089 9319 41		6)	2	"
	1089 9319 42		7)8)	1	"
15		■		2	Contactors
	1089 9221 11		2)		"
	1089 9221 12		3)		"
	1089 9221 37		4)		"
	1089 9221 38		5)		"
	1089 9221 24		6)		"
	1089 9221 25		7)8)		"
16		■		1	Contactors
	1089 9221 10		2)		"
	1089 9221 11		3)		"
	1089 9221 36		4)		"
	1089 9221 37		5)		"
	1089 9221 23		6)		"
	1089 9221 24		7)8)		"

Ref.	A	B	C	D	Designation
17		■		1	Overload relay
	1089 9174 04		2)4)6)		"
	1089 9174 02		3)5)7)8)		"
18		■		1	Link
	1089 9215 03		2)3)4)5)7)8)		"
	1089 9215 04		6)		"
19		■		2	Circuit breaker
	1089 9180 05		2)3)4)		"
	1089 9180 07		5)		"
	1089 9228 02		6)7)		"
	1089 9180 06		8)		"
20	1089 0506 09	■		24	Terminal
21	1089 0506 10	■		5	Terminal
22	1089 0506 30	■		2	End bracket
23	1900 0003 02	■		1	Earth rail
24	1088 0016 06	■		1	Plug
25	1088 0016 51	■		11	Socket
26	1088 0016 09	■		1	Plug
27	1088 0016 51	■		10	Socket
28	1089 0362 05	■		1	Push button
29	1089 0362 15	■		1	Push button
30	1089 0362 16	■		1	Push button
31	1613 0801 06	■		2	Clamp
32	0070 7250 08	■			AR Tube

1) Only for air-cooled versions / Enkel voor luchtgekoelde versies / Endast för luftkylda utföranden / Nur für luftgekühlte Ausführungen / Uniquement pour versions refroidies par air / Unicamente para variantes refrigeradas por aire / Solo per versioni raffreddate ad aria

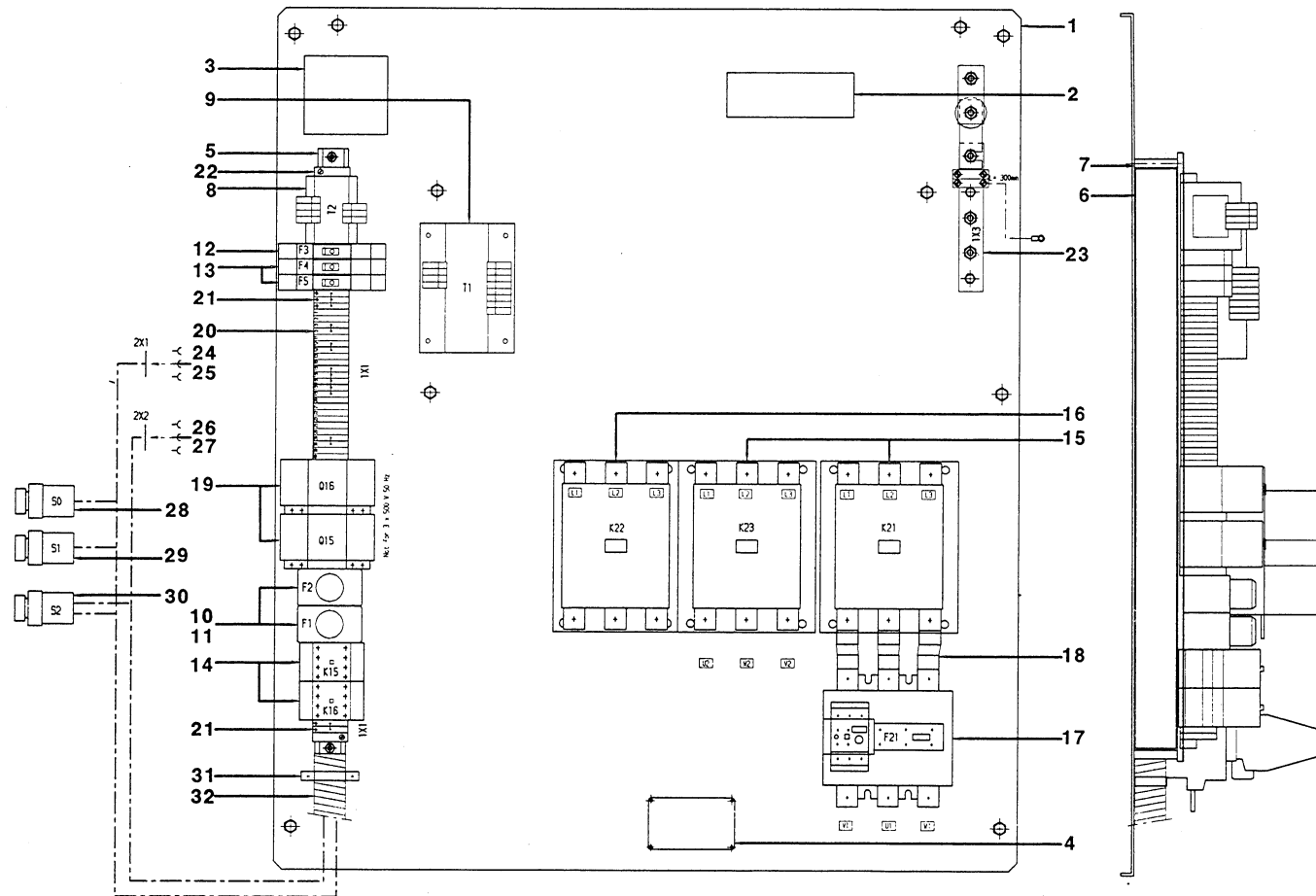
- 2) GA200 380-415V/50Hz Control voltage 220V/50Hz
- 3) GA250 380-415V/50Hz Control voltage 220V/50Hz
- 4) GA200 380-415V/50Hz Control voltage 110V/50Hz
- 5) GA250 380-415V/50Hz Control voltage 110V/50Hz
- 6) GA200 440-460V/60Hz Control voltage 220V/60Hz
- 7) GA250 440-460V/60Hz Control voltage 220V/60Hz, GA315 440-460V/60Hz Control voltage 220V/60Hz
- 8) GA200 380V/60Hz Control voltage 220V/60Hz, GA250 380V/60Hz Control voltage 220V/60Hz, GA315 380V/60Hz Control voltage 220V/60Hz

1900 0164 12 01/1900 0164 14 01/1900 0164 58 02/
 1900 0164 59 01/1900 0164 71 02/1900 0164 72 02/1900 0164 73 01
 29_357_0_0_0



Air and oil connections
Lucht- en olieaansluitingen
Luft- och oljeanslutningar
Luft- und Ölschlüsse
Connexions d'air et d'huile
Conexiones de aire y aceite
Conessioni aria e olio

1)



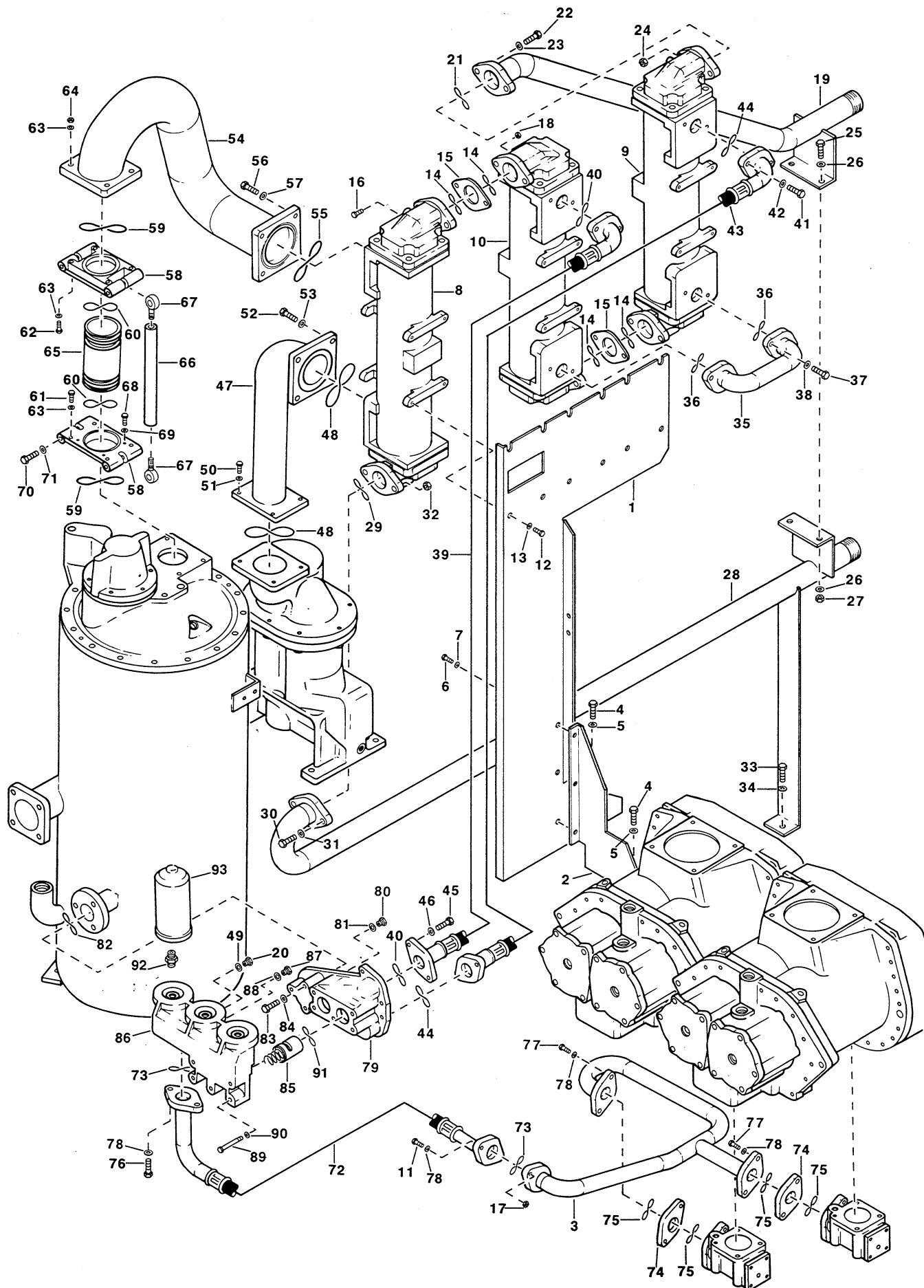
Ref.	A	B	C	D	Designation	Ref.	A	B	C	D	Designation
1	1614 7053 00			1	Aftercooler	50	0147 1322 03			8	Bolt
2	0147 1362 03			2	Bolt	51	0303 1274 01			8	Washer
3	0147 1360 03			2	Bolt	52	0147 1376 03			4	Bolt
4	0333 3232 00	9		2	Lock washer	53	0301 2344 00			4	Washer
5	0302 1274 01			4	Washer	54	1614 7056 00			1	Hose assembly
6	0301 2344 00			2	Washer	55	0663 9868 00	12		2	O-ring
7	0266 2111 00			2	Nut	56	1614 6497 01			2	Flange
8	1614 7059 00			1	Oil cooler	57	0663 9868 00	4,12		4	O-ring
9	0147 1360 03			8	Bolt	58	0147 1402 03			2	Bolt
10	0302 1274 01			8	Washer	59	0147 1404 03			4	Bolt
11	1614 6518 03			1	Hose assembly	60	0301 2358 00			8	Washer
12	2250 6676 00			1	Nipple	61	1614 7108 00			1	Valve housing
13	0653 1124 00	9		1	Gasket	62	0686 3716 01			1	Plug
14	1614 7224 00			1	Plug	63	0653 1062 00			1	Gasket
15	0346 1002 10			1	Clamp	64	0663 9868 00			1	O-ring
16	1619 5337 01			1	Bolt	65	0147 1411 03			3	Bolt
17	1614 7058 00			1	Hose assembly	66	0301 2358 00			3	Washer
18	0663 9868 00	9		2	O-ring	67	1619 7560 00			2	Thermostatic valve
19	0147 1402 03			4	Bolt	68	1614 7109 00			1	Filter housing
20	0301 2358 00			4	Washer	69	0686 3716 01			1	Plug
21	1614 7060 00			1	Hose assembly	70	0653 1062 00			1	Gasket
22	0663 9868 00	9		2	O-ring	71	0147 1371 03			5	Bolt
23	0147 1402 03			4	Bolt	72	0301 2344 00			5	Washer
24	0301 2358 00			4	Washer	73	0663 9868 00			2	O-ring
25	1614 7049 00			2	Flange	74	1614 7062 00			3	Nipple
26	0663 7148 00	9		2	O-ring	75	1614 7273 00	1,2		3	Oil filter
27	0663 3150 00			2	O-ring	76	0686 4203 00			1	Plug
28	0147 1368 03			4	Bolt	77	0653 1100 00			1	Gasket
29	0147 1367 03			4	Bolt	78	1614 7061 00			1	Pipe
30	0301 2344 00			8	Washer	79	0147 1405 03			2	Bolt
31	1614 7051 00			1	Pipe	80	0266 2112 00			2	Nut
32	1614 7050 00			2	Tie rod	81	0686 3716 30			1	Plug
33	1614 6450 00			4	Eye bolt	82	0653 1100 00			1	Gasket
34	0147 1322 03			8	Bolt						
35	0303 1274 01			8	Washer						
36	0147 1376 03			4	Bolt						
37	0301 2344 00			4	Washer						
38	1614 7052 00			1	Pipe						
39	0663 7149 00	8,9		1	O-ring						
40	0147 1402 03			4	Bolt						
41	0301 2358 00			4	Washer						
42	1614 7049 00			2	Flange						
43	0663 7148 00	8,9		2	O-ring						
44	0663 3150 00			2	O-ring						
45	0147 1369 03			8	Bolt						
46	0301 2344 00			8	Washer						
47	1614 7051 00			1	Pipe						
48	1614 7050 00			2	Tie rod						
49	1614 6450 00			4	Eye bolt						

1	2906 0199 00: Oil filter kit
2	2906 0200 00: Air/oil filter kit
4	2906 0094 00: Oil stop valve kit
8	2906 0202 00: Oil separator kit
9	2906 0203 00: Cooler kit
12	2906 0208 00: Element mounting kit

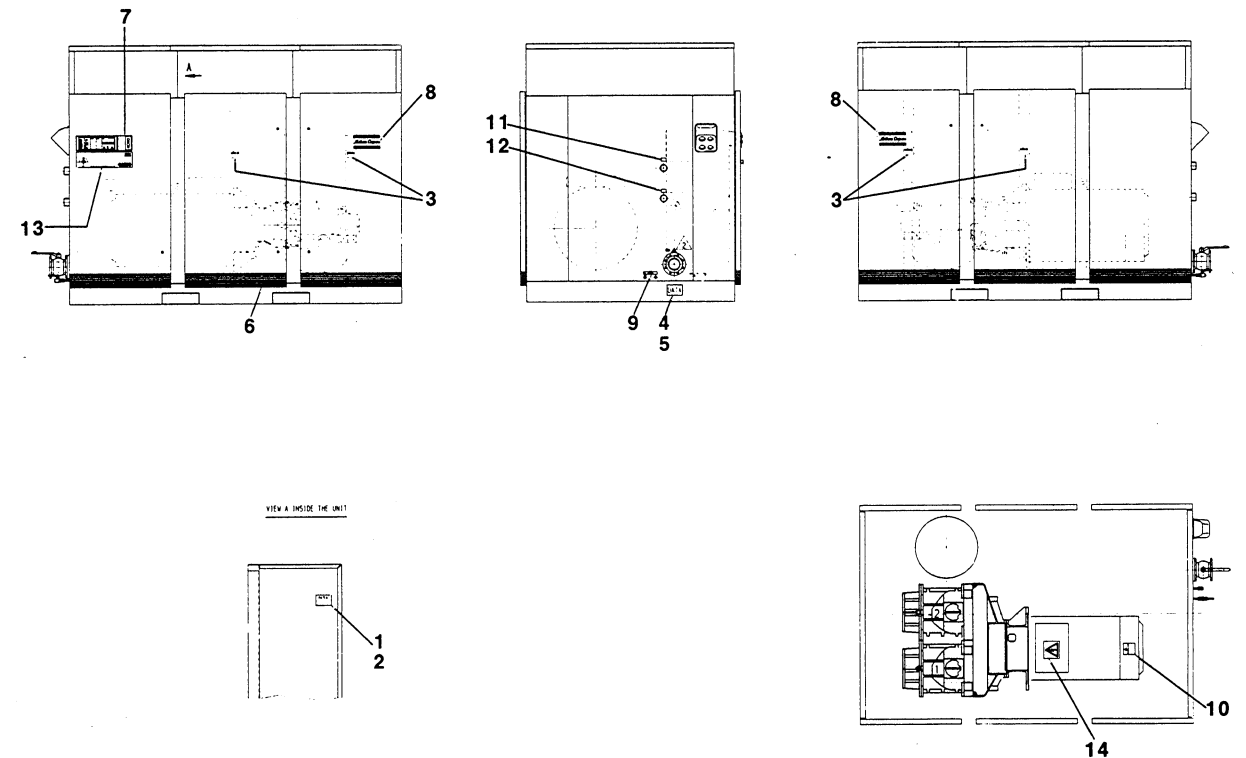
1) Only for air-cooled versions / Enkel voor luchtgekoelde versies / Endast för luftkylda utföranden / Nur für luftgekühlte Ausführungen / Uniquement pour versions refroidies par air / Unicamente para variantes refrigeradas por aire / Solo per versioni raffreddate ad aria

1611 5910 62 02/1611 5912 61 03
39_246_0.0_1





1)
 Position of labels
 Plaats van etiketten
 Läge på etiketter
 Lage der Etiketten
 Position des autocollants
 Ubicación de etiquetas
 Posizione delle etichette adesive



Ref.	A	B	C	D	Designation
1	1091 1204 00			1	Patent plate
2	0129 3103 00			4	Blind rivet
3	1079 9901 09			4	Label
4	1614 4691 00			1	Data plate
5	0129 3104 00			4	Blind rivet
6	1614 5342 14			6	Decal
7	1614 6490 00			1	Decal
8	0690 1132 01			2	Decal
9	1079 9915 99			1	Label
10	1079 9901 29			1	Label
11	1079 9913 69			1	Label
12	1079 9913 79			1	Label
13	1614 7284 03			1	Flow label - GA200W

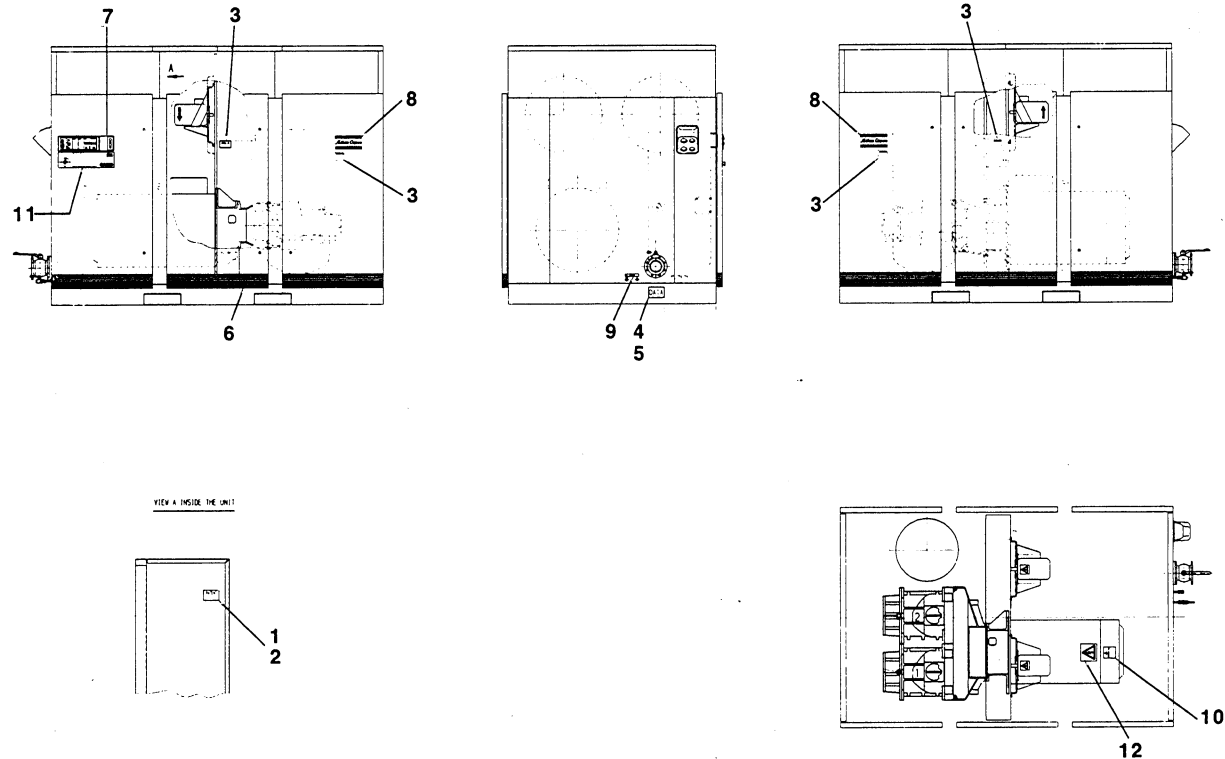
Ref.	A	B	C	D	Designation
	1614 7284 04				- GA250W
	1614 7284 06				- GA315W
14	1088 1001 04			1	Warning mark

1) Only for water-cooled versions / Enkel voor watergekoelde versies / Endast för vattenkylda utföranden / Nur für wassergekühlte Ausführungen / Uniquement pour versions refroidies par eau / Unicamente para variantes refrigeradas por agua / Solo per versioni raffreddate ad acqua

1611 5916 67 01
 41_189_0_0_0



Position of labels 1)
 Plaats van etiketten
 Läge på etiketter
 Lage der Etiketten
 Position des autocollants
 Ubicación de etiquetas
 Posizione delle etichette adesive



Ref.	A	B	C	D	Designation
1	1091 1204 00			1	Patent plate
2	0129 3103 00			4	Blind rivet
3	1079 9901 09			4	Label
4	1614 4691 00			1	Data plate
5	0129 3104 00			4	Blind rivet
6	1614 5342 14			6	Decal
7	1614 6490 00			1	Decal
8	0690 1132 01			2	Decal
9	1079 9915 99			1	Label
10	1079 9901 29			1	Label
11				1	Flow label
	1614 7284 01				- GA200
	1614 7284 02				- GA250
	1614 7284 05				- GA315

Ref.	A	B	C	D	Designation
12	1088 1001 04			1	Warning mark
1) Only for air-cooled versions Enkel voor luchtgekoelde versies Endast för luftkylda utföranden Nur für luftgekühlte Ausführungen Uniquement pour versions refroidies par air Unicamente para variantes refrigeradas por aire Solo per versioni raffreddate ad aria					
	1611 5916 64 01				
	41_188_0_0_0				

Air -, oil - and water connections 1)
 Lucht-, olie- en wateraansluitingen
 Luft-, olje- och vattenanslutningar
 Luft-, Öl- und Wasseranschlüsse
 Connexions d'air, d'huile et d'eau
 Conexiones de aire, aceite y agua
 Conessioni aria, olio e acqua

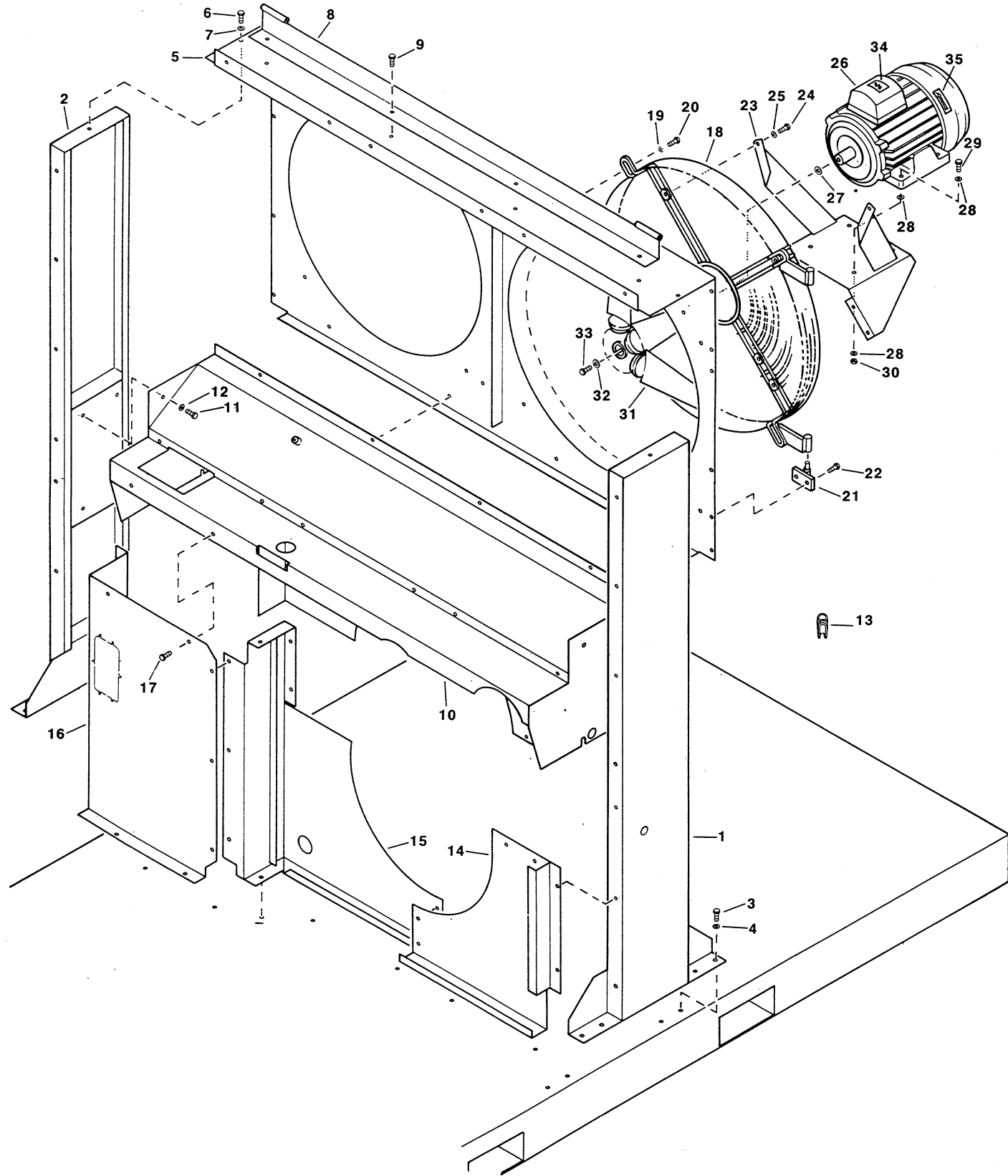
Ref.	A	B	C	D	Designation
1	1614 6639 00			1	Support
2	1614 6630 00			1	Support
3	1614 7061 00			1	Pipe
4	0147 1400 03			4	Bolt
5	0301 2358 00			4	Washer
6	0147 1362 03			3	Bolt
7	0301 2344 00			3	Washer
8	---			1	Aftercooler
9	---			1	Oil cooler
10	---			1	Oil cooler
11	0147 1405 03			2	Bolt
12	0147 1362 03			12	Bolt
13	0301 2344 00			12	Washer
14	0663 7138 00		10,11	4	O-ring
15	1614 6632 00			2	Plate
16	0147 1405 03			4	Bolt
17	0266 2112 00			2	Nut
18	0266 2112 00			4	Nut
19	1614 7345 00			1	Pipe
20	0686 3716 30			1	Plug
21	0663 7138 00		11	1	O-ring
22	0147 1405 03			2	Bolt
23	0301 2358 00			2	Washer
24	0266 2112 00			2	Nut
25	0147 1400 03			2	Bolt
26	0301 2358 00			4	Washer
27	0266 2112 00			2	Nut
28	1614 7344 00			1	Pipe
29	0663 7138 00		10	1	O-ring
30	0147 1405 03			2	Bolt
31	0301 2358 00			2	Washer
32	0266 2112 00			2	Nut
33	0147 1400 03			1	Bolt
34	0301 2358 00			1	Washer
35	1614 6634 00			1	Pipe
36	0663 9868 00		11	2	O-ring
37	0147 1402 03			4	Bolt
38	0301 2358 00			4	Washer
39	1614 7342 00			1	Hose assembly
40	0663 9868 00			2	O-ring
41	0147 1402 03			4	Bolt
42	0301 2358 00			4	Washer
43	1614 7343 00			1	Hose assembly
44	0663 9868 00		11	2	O-ring
45	0147 1402 03			4	Bolt
46	0301 2358 00			4	Washer
47	1614 7339 00			1	Pipe
48	0663 7149 00		10	2	O-ring
49	0653 1100 00			1	Gasket

Ref.	A	B	C	D	Designation
50	0147 1364 03			4	Bolt
51	0301 2344 00			4	Washer
52	0147 1402 03			4	Bolt
53	0301 2358 00			4	Washer
54	1614 7337 00			1	Pipe
55	0663 7149 00	8,10		1	O-ring
56	0147 1402 03			4	Bolt
57	0301 2358 00			4	Washer
58	1614 7049 00			2	Flange
59	0663 7148 00	8,10		2	O-ring
60	0663 3150 00			2	O-ring
61	0147 1369 03			4	Bolt
62	0147 1371 03			4	Bolt
63	0301 2344 00			12	Washer
64	0266 2111 00			4	Nut
65	1614 7051 00			1	Pipe
66	1614 7050 00			2	Tie rod
67	1614 6450 00			4	Eye bolt
68	0147 1322 03			8	Bolt
69	0303 1274 01			8	Washer
70	0147 1376 03			4	Bolt
71	0301 2344 00			4	Washer
72	1614 7056 00			1	Hose assembly
73	0663 9868 00	12		2	O-ring
74	1614 6497 02			2	Flange
75	0663 9868 00	4,12		4	O-ring
76	0147 1402 03			2	Bolt
77	0147 1404 03			4	Bolt
78	0301 2358 00			8	Washer
79	1614 7108 00			1	Valve housing
80	0686 3716 01			1	Plug
81	0653 1062 00			1	Gasket
82	0663 9868 00			1	O-ring
83	0147 1411 03			3	Bolt
84	0301 2358 00			3	Washer
85	1619 7560 00			2	Thermostatic valve
86	1614 7109 00			1	Filter housing
87	0686 3716 01			1	Plug
88	0653 1062 00			1	Gasket
89	0147 1371 03			5	Bolt
90	0301 2344 00			5	Washer
91	0663 9868 00			2	O-ring
92	1614 7062 00			3	Nipple
93	1614 7273 00	1,2		3	Oil filter

- 1 2906 0199 00: Oil filter kit
- 2 2906 0200 00: Air/oil filter kit
- 4 2906 0094 00: Oil stop valve kit
- 8 2906 0202 00: Oil separator kit
- 10 2906 0204 00: Aftercooler kit
- 11 2906 0205 00: Oil cooler kit
- 12 2906 0208 00: Element mounting kit
- 1) Only for water-cooled versions / Enkel voor watergekoelde versies / Endast för vattenkylda utföranden / Nur für wassergekühlte Ausführungen / Uniquement pour versions refroidies par eau / Unicamente para variantes refrigeradas por agua / Solo per versioni raffreddate ad acqua

1611 5903 99 01/1611 5910 69 02/1611 5912 62 02/1611 5917 90 01
 39_247_0_0_1





Bodywork
Karosserie
Karoseri

1) Karosserie
Capotage

Carroceria
Cappottatura

Ref.	A	B	C	D	Designation
1	1614 7076 00		3) 2	Side panel
2	0147 1173 03		AR	Bolt
	0147 1250 03			- M4 x 16
	0147 1322 03			- M6 x 30
	0147 1325 03			- M8 x 16
	1619 2766 00			- M8 x 25
	1619 2766 02			- M8 x 70
3	0301 2315 00		AR	Washer
	0301 2321 00			- 4.3 x 9 x 0.8
	0301 2335 00			- 6.4 x 12.5 x 1.6
4	0266 2106 00		AR	Nut
	0266 2108 00			- M4
	0266 2110 00			- M6
5	1614 7082 00	2)	2	Beam
6	1614 6422 00	2)	4	Door
7	1619 2665 00	AR		Seal
8	1615 2243 00	4		Hinge
9	1615 2243 01	4		Hinge
10	1615 2242 00	16		Bracket
11	0162 4322 00	32		Screw
12	2255 2059 00	8		Lock
13	1089 9068 01	1		Key
14	1614 7084 00	2)	1	Side panel
15	1614 7086 00	1		Panel
16	1614 7083 00	1		Cubicle
17	1088 0524 06	2		Plug
18	0697 9806 00	2		Nut
19	1619 2795 00	AR		Seal
20	1614 6594 00	1		Box
21	1614 6596 00	4		Nut
22	1614 7085 00	1		Door
23	1615 2243 00	2		Hinge
24	1615 2242 00	4		Bracket
25	0162 4322 00	8		Screw
26	1619 7704 00	2		Lock
27	1089 9154 02	1		Key
28	1614 6550 00	1		Plate
29	1614 7346 00	2)	1	Roof
30	1614 7347 00	2)3)	2	Roof
31	1614 7354 00	2)	1	Side panel
32	1088 0801 31	2		Grommet
33	1616 2987 00	8		Plug
34	1614 7081 00	3)	1	Side panel
35	1614 7331 00	1		Plate
36	1614 7332 00	1		Baffle
37	1614 7335 00	1		Baffle
38	1614 7336 00	1		Plate
39	1614 7333 00	1		Baffle
40	1614 7334 00	1		Plate
41	1619 2473 00	AR		Seal
42	0346 2100 03	1		Clamp
43	1614 7146 00	4)	1	- Flange

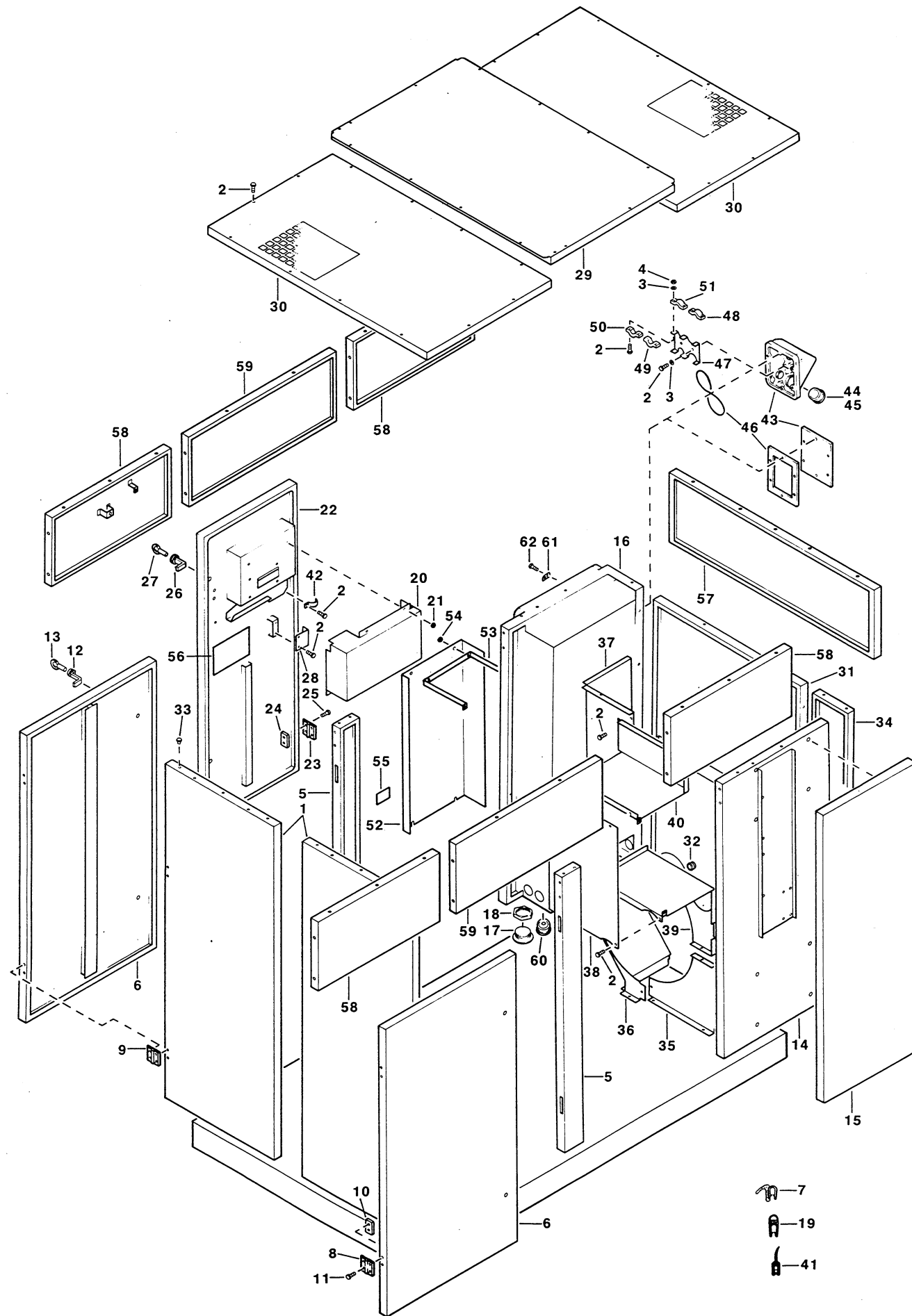
Ref.	A	B	C	D	Designation
	1614 6571 00		1	- Cable box
44	1088 0524 09		2	Plug
***			4)	- Not used
45	1088 0524 10		2	Plug
***			4)	- Not used
46	1614 7145 00		4)	1 - Gasket
	1614 6567 00		1	- Seal
47	1614 6566 00		1	Plate
***			4)	- Not used
48	1614 6562 00		2	Clamp
***			4)	- Not used
49	1614 6563 00		2	Clamp
***			4)	- Not used
50	1614 6565 00		2	Clamp
***			4)	- Not used
51	1614 6564 00		2	Clamp
***			4)	- Not used
52	1614 7282 00		1	Screen
***			4)	- Not used
53	1614 7283 00		1	Support
***			4)	- Not used
54	1614 6596 00		4	Nut
***			4)	- Not used
55	1615 2314 00		1	Label
***			4)	- Not used
56			1	Label
	1614 7399 00		4)	- "
	1614 7361 00		- "
57	1614 7101 00	2)	1	Plate
58	1614 7103 00	2)	4	Plate
59	1614 7352 00	2)	2	Plate
60	1614 7321 00	1	Grommet
61	1614 7263 00	2	Plate
62	1619 5898 02	4	Bolt

- 1) Only for water-cooled versions / Enkel voor watergekoelde versies / Endast för vattenkylda utföranden / Nur für wassergekühlte Ausführungen / Uniquement pour versions refroidies par eau / Unicamente para variantes refrigeradas por agua / Solo per versioni raffreddate ad acqua
- 2) To be lined with foam plastic / Te bekleden met schuimrubber / Skall kläs med skumplast / Auskleiden mit Schaumgummi / A garnir avec du caoutchouc mousse / Revestir de goma espuma / Da rivestira con plastica espansa 1079 0003 29 (2000 x 1500 x 50)
- 3) To be lined with foam plastic / Te bekleden met schuimrubber / Skall kläs med skumplast / Auskleiden mit Schaumgummi / A garnir avec du caoutchouc mousse / Revestir de goma espuma / Da rivestira con plastica espansa 1079 0003 33 (2000 x 1500 x 50)
- 4) Only for CSA/UL variant / Enkel voor CSA/UL versie / Endast för CSA/UL version / Nur für CSA/UL Ausführung Uniquement pour la version CSA/UL / Unicamente para variante CSA/UL / Solo per versione CSA/UL

1611 5915 69 03/1611 5927 96 02/1611 5927 97 01/1611 5927 98 02/
1611 5927 99 01/1611 5928 93 01/1611 5928 94 01/1611 5928 97 01/
1611 5928 98 01/1611 5929 90 01
41_187_0_0_0



Fan and cooling duct plates 1)
 Ventilator en koelgeleiplaten
 Fläkt och kylkanalplåtar
 Lüfter und Kühlluftführung
 Ventilateur et conduits de refroidissement
 Ventilador y paneles de conducción de refrigeración
 Ventilatore e intubatura



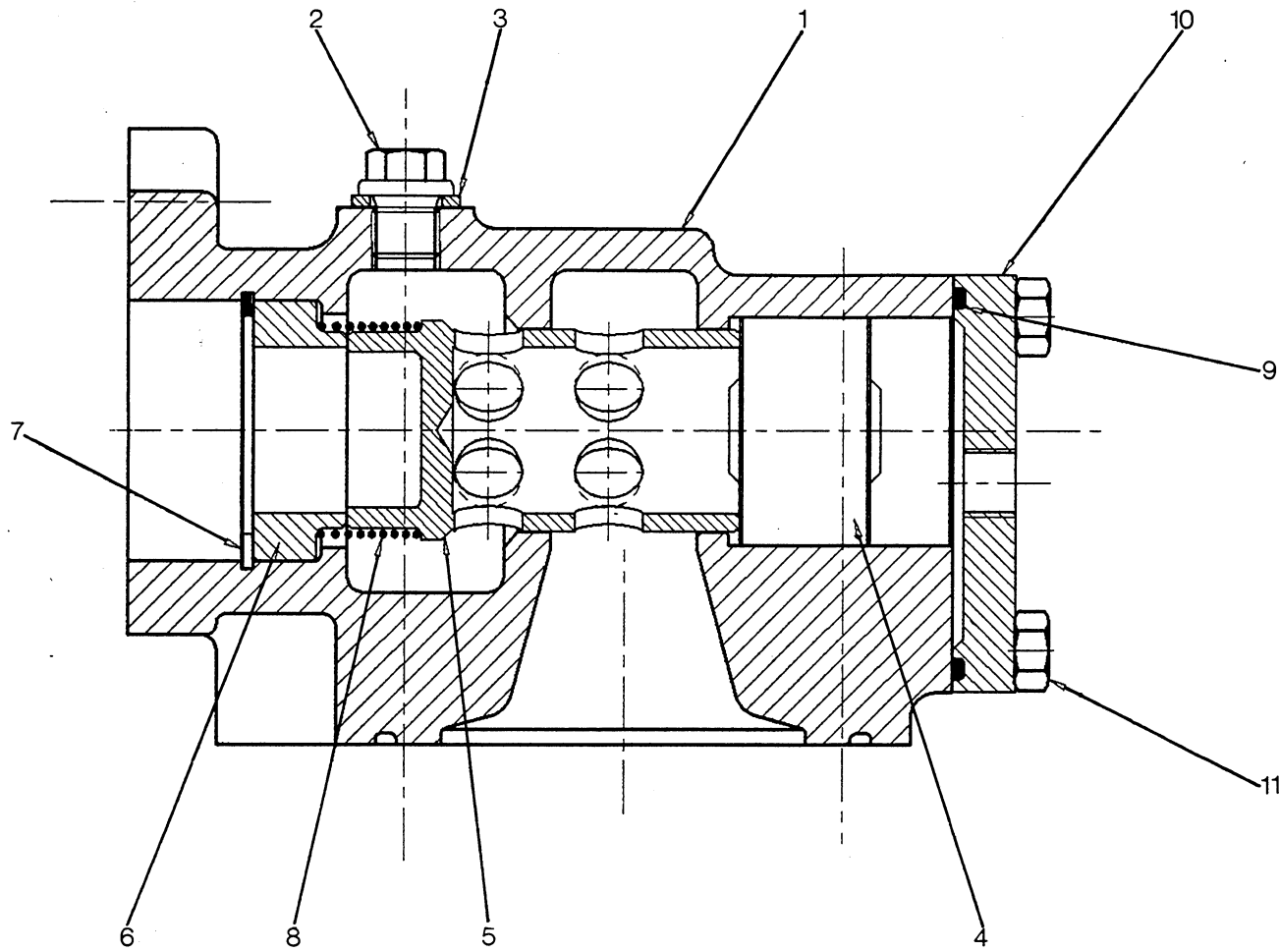
Ref.	A	B	C	D	Designation	Ref.	A	B	C	D	Designation
1	1614 7065 00			1	Support	27	1614 6453 00			2	Washer
2	1614 7066 00			1	Support	28	0301 2344 00			16	Washer
3	0147 1401 03			8	Bolt	29	0147 1364 03			8	Bolt
4	0301 2358 00			8	Washer	30	0266 2111 00			8	Nut
5	1614 7064 00			1	Fan cowl	31				2	Fan
6	0147 1362 03			18	Bolt		1614 7063 00				- 50 Hz
7	0301 2344 00			18	Washer		1614 6508 00				- 60 Hz
8	1614 7071 00			1	Support	32	1614 6456 00			2	Washer
9	1619 2766 00			5	Bolt	33	0147 1362 03			2	Bolt
10	1614 7067 00			1	Support	34	1088 1001 01			2	Warning mark
11	0147 1362 03			8	Bolt	35	1503 0786 00			2	Rotation arrow
12	0301 2344 00			8	Washer						
13	1619 2795 00			AR	Seal						
14	1614 7068 00	2)		1	Baffle						
15	1614 7069 00	2)		1	Baffle						
16	1614 7070 00			1	Baffle						
17	1619 2766 00			24	Bolt						
18	1614 6510 00			2	Fan guard						
19	0333 3232 00			8	Lock washer						
20	0147 1363 03			8	Bolt						
21	1614 6582 00			4	Hinge						
22	1619 5337 01			8	Bolt						
23	1614 7074 00			2	Support						
24	0147 1398 03			12	Bolt						
25	0301 2358 00			12	Washer						
26				2	Fan motor						
	1080 2795 01				- 230-400V/50Hz						
	1080 2795 18				- 380V/60Hz						
	1080 2795 19				- 220-230V/440-460V/60Hz						
	1080 2795 20				- 575V/60Hz						

1) Only for air-cooled versions / Enkel voor luchtgekoelde versies / Endast för luftkylda utföranden / Nur für luftgekühlte Ausführungen / Uniquement pour versions refroidies par air / Unicamente para variantes refrigeradas por aire / Solo per versioni raffreddate ad aria
 2) To be lined with foam plastic / Te bekleiden met schuimrubber / Skall kläs med skumplast / Auskleiden mit Schaumgummi / A garnir avec du caoutchouc mousse / Revestir de goma espuma / Da rivestira con plastica espansa 1079 0003 29 (2000 x 1500 x 50)

1611 5911 63 02/1611 5914 90 01/1611 5914 94 02/
 1611 5914 95 02/1611 5914 96 02/1611 5914 97 02
 11_083_0_0_0



Oil stop valve
 Olieafsluitklep
 Avstängningsventil, olja
 Ölabsperventil
 Soupape d'arrêt d'huile
 Válvula de cierre de aceite
 Valvola di arresto dell'olio



Ref.	A	B	C	D	Designation
-	1614 6474 80			1	Oil stop valve
1	1614 6474 00	■		1	Housing
2	0686 3716 01	■		1	Plug
3	0661 1020 00	■	1,2,4	1	Gasket
4	2255 2813 00	■		1	Piston
5	2255 2751 00	■		1	Valve
6	2252 6269 00	■		1	Spring guide
7	0335 2145 00	■		1	Circlip
8	2254 9868 00	■	4	1	Spring
9	0663 7138 00	■	4	1	O-ring

Ref.	A	B	C	D	Designation
10	1614 6475 00	■		1	Cover
11	0147 1325 03	■		4	Bolt
1 2906 0199 00: Oil filter kit					
2 2906 0200 00: Air/oil filter kit					
4 2906 0094 00: Oil stop valve kit					
1614 6474 80 06					
22_096_2.0_1					

Bodywork 1)
 Karrosserie
 Karosseri
 Karosserie

Capotage
 Carrocería
 Cappottatura

Ref.	A	B	C	D	Designation
1	1614 7076 00		3)	2	Side panel
2				AR	Bolt
	0147 1173 03				- M4 x 16
	0147 1250 03				- M6 x 30
	0147 1322 03				- M8 x 16
	1619 2766 00				- M8 x 20
	0147 1325 03				- M8 x 25
	1619 2766 02				- M8 x 70
3				AR	Washer
	0301 2315 00				- 4.3 x 9 x 0.8
	0301 2321 00				- 6.4 x 12.5 x 1.6
	0301 2335 00				- 8.4 x 16 x 1.6
4				AR	Nut
	0266 2106 00				- M4
	0266 2108 00				- M6
	0266 2110 00				- M8
5	1614 7082 00	2)		2	Beam
6	1614 6422 00	2)		4	Door
7	1619 2665 00			AR	Seal
8	1615 2243 00			4	Hinge
9	1615 2243 01			4	Hinge
10	1615 2242 00			16	Bracket
11	0162 4322 00			32	Screw
12	2255 2059 00			8	Lock
13	1089 9068 01			1	Key
14	1614 7084 00	2)		1	Side panel
15	1614 7086 00			1	Panel
16	1614 7083 00			1	Cubicle
17	1619 2795 00			AR	Seal
18	1614 6594 00			1	Box
19	1614 6596 00			4	Nut
20	1614 7085 00			1	Door
21	1615 2243 00			2	Hinge
22	1615 2242 00			4	Bracket
23	0162 4322 00			8	Screw
24	1619 7704 00			2	Lock
25	1089 9154 02			1	Key
26	1614 6550 00			1	Plate
27	1614 7078 00			2	Roof
28	1615 2243 00			2	Hinge
29	1615 2243 01			2	Hinge
30	0162 4323 00			8	Screw
31	1614 7077 00	3)4)		2	Roof
32	1614 7080 00	2)3)		1	Side panel
33	1088 0801 31			2	Grommet
34	1614 7081 00	3)		1	Side panel
35	1614 7101 00	2)		1	Plate
36	1614 7103 00	2)		4	Plate
37	1614 7102 00	3)		1	Plate
38	1614 7104 00	3)		1	Plate
39	1616 2987 00			8	Plug
40	0346 2100 03			1	Clamp
41	1614 7146 00	5)		1	- Flange
	1614 6571 00			1	- Cable box

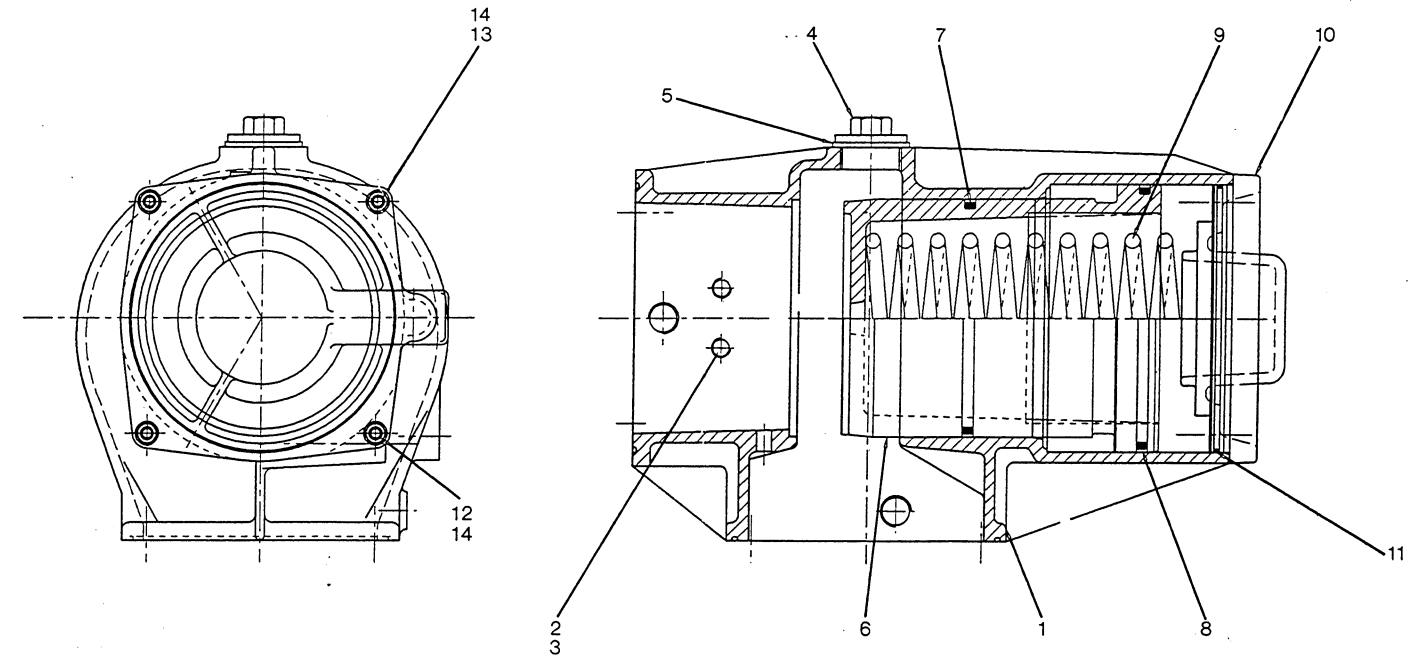
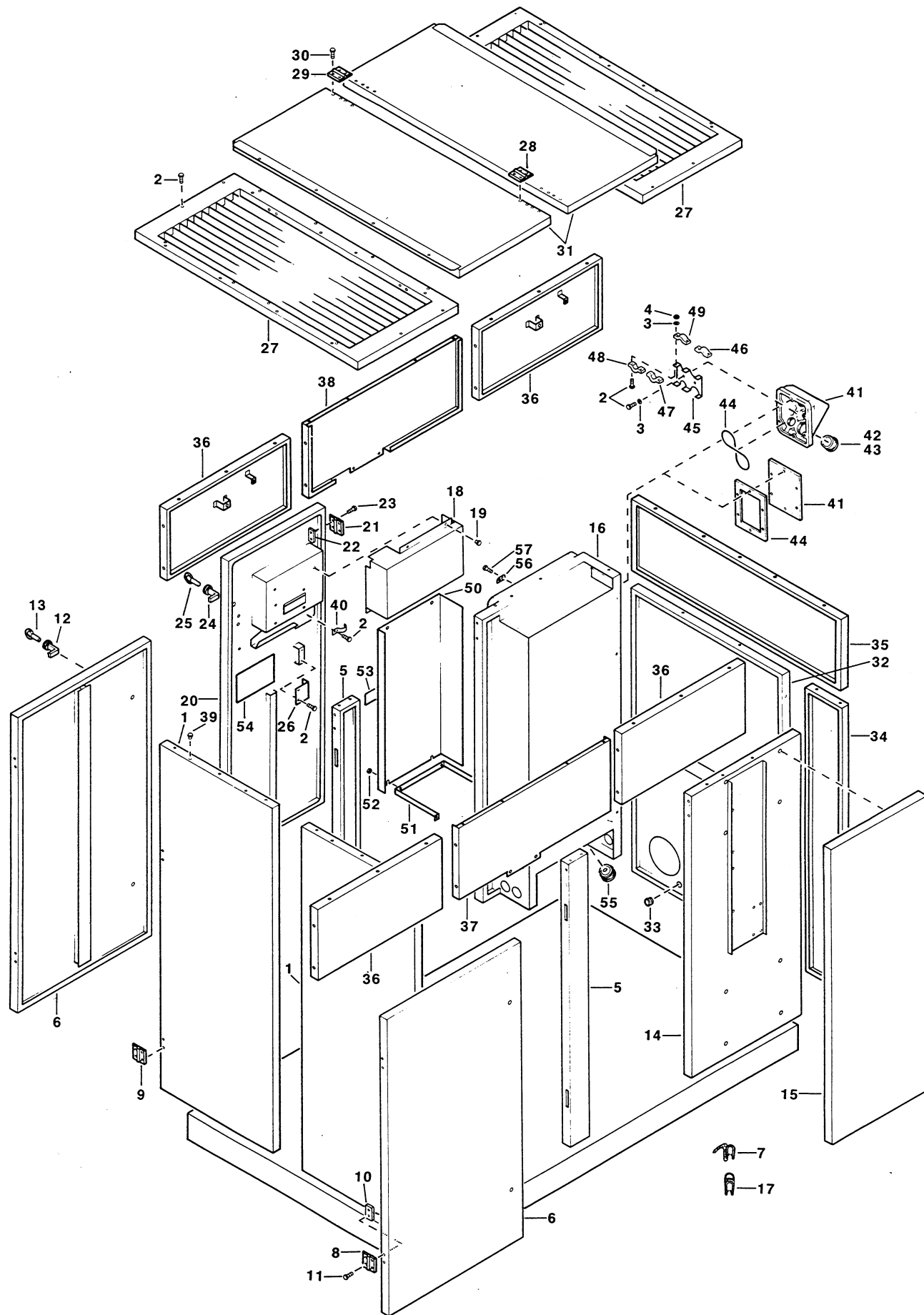
Ref.	A	B	C	D	Designation
42	1088 0524 09			2	Plug
***			5)	-	Not used
43	1088 0524 10			2	Plug
***			5)	-	Not used
44	1614 7145 00		5)	1	- Gasket
	1614 6567 00			1	- Seal
45	1614 6566 00			1	Plate
***			5)	-	Not used
46	1614 6562 00			2	Clamp
***			5)	-	Not used
47	1614 6563 00			2	Clamp
***			5)	-	Not used
48	1614 6565 00			2	Clamp
***			5)	-	Not used
49	1614 6564 00			2	Clamp
***			5)	-	Not used
50	1614 7282 00			1	Screen
***			5)	-	Not used
51	1614 7283 00			1	Support
***			5)	-	Not used
52	1614 6596 00			4	Nut
***			5)	-	Not used
53	1615 2314 00			1	Label
***			5)	-	Not used
54				1	Label
	1614 7398 00		5)	-	- "
	1614 7330 00			-	- "
55	1614 7321 00			1	Grommet
56	1614 7263 00			2	Plate
57	1619 5898 02			4	Bolt

- 1) Only for air-cooled versions / Enkel voor luchtgekoelde versies / Endast för luftkylda utföranden / Nur für luftgekühlte Ausführungen / Uniquement pour versions refroidies par air / Unicamente para variantes refrigeradas por aire / Solo per versioni raffreddate ad aria
- 2) To be lined with foam plastic / Te bekleden met schuimrubber / Skall kläs med skumplast / Auskleiden mit Schaumgummi / A garnir avec du caoutchouc mousse / Revestir de goma espuma / Da rivestira con plastica espansa 1079 0003 29 (2000 x 1500 x 50)
- 3) To be lined with foam plastic / Te bekleden met schuimrubber / Skall kläs med skumplast / Auskleiden mit Schaumgummi / A garnir avec du caoutchouc mousse / Revestir de goma espuma / Da rivestira con plastica espansa 1079 0003 33 (2000 x 1500 x 50)
- 4) To be lined with foam plastic / Te bekleden met schuimrubber / Skall kläs med skumplast / Auskleiden mit Schaumgummi / A garnir avec du caoutchouc mousse / Revestir de goma espuma / Da rivestira con plastica espansa 1079 0003 32 (2000 x 1500 x 30)
- 5) Only for CSA/UL variant / Enkel voor CSA/UL versie / Endast för CSA/UL version / Nur für CSA/UL Ausführung / Uniquement pour la version CSA/UL / Unicamente para variante CSA/UL / Solo per versione CSA/UL

1611 5915 63 04/1611 5927 90 03/1611 5927 92 02/1611 5927 93 03/
 1611 5927 94 02/1611 5928 91 01/1611 5928 92 01/1611 5928 95 01/
 1611 5928 96 01/1611 5928 99 01/1611 5929 91 01
 41_186_0_0_0



Unloading valve
 Ontlastventiel
 Avlastningsventil
 Entlastungsventil
 Soupape de décharge
 Válvula de descarga
 Valvola di messa a vuoto



Ref.	A	B	C	D	Designation
-	1614 6487 80			1	Unloading valve
1	1614 6489 00	■		1	Housing
2	0686 3716 01	■		1	Plug
3	0653 1062 00	■		1	Gasket
4	2250 2528 00	■		1	Plug
5	0661 1056 00	■		1	Gasket
6	1614 6487 00	■		1	Valve
7	1619 6142 00	■	7	1	Seal ring
8	1619 6143 00	■	7	1	Seal ring
9	2253 7362 00	■		1	Spring
10	1614 6488 00	■		1	Cover

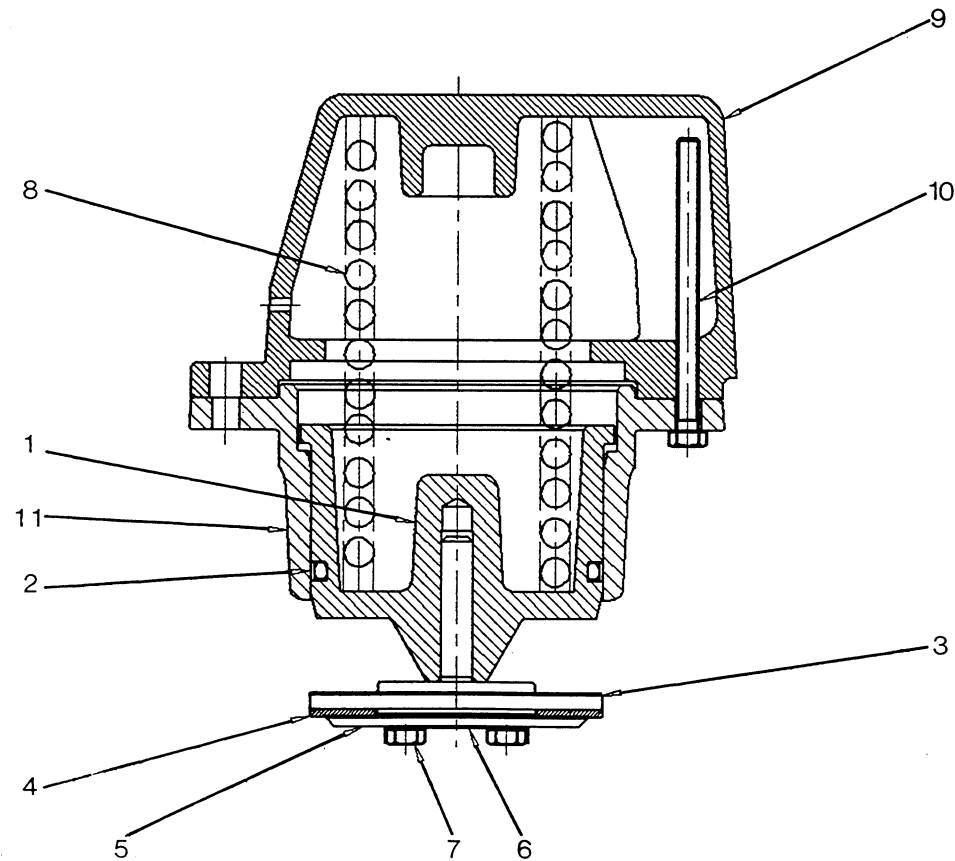
Ref.	A	B	C	D	Designation
11	0663 2100 64	■	7	1	O-ring
12	0147 1328 03	■		2	Bolt
13	0147 1958 98	■		2	Bolt
14	0301 2335 00	■		4	Washer

7 2906 0097 00: Unloading valve kit

1614 6487 80 05
22_095_2_0_1



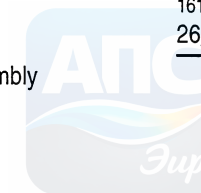
Minimum pressure valve
 Minimumdruckklep
 Minimitryckventil
 Mindestdruckventil
 Soupape à minimum de pression
 Válvula de presión mínima
 Valvola di minima pressione



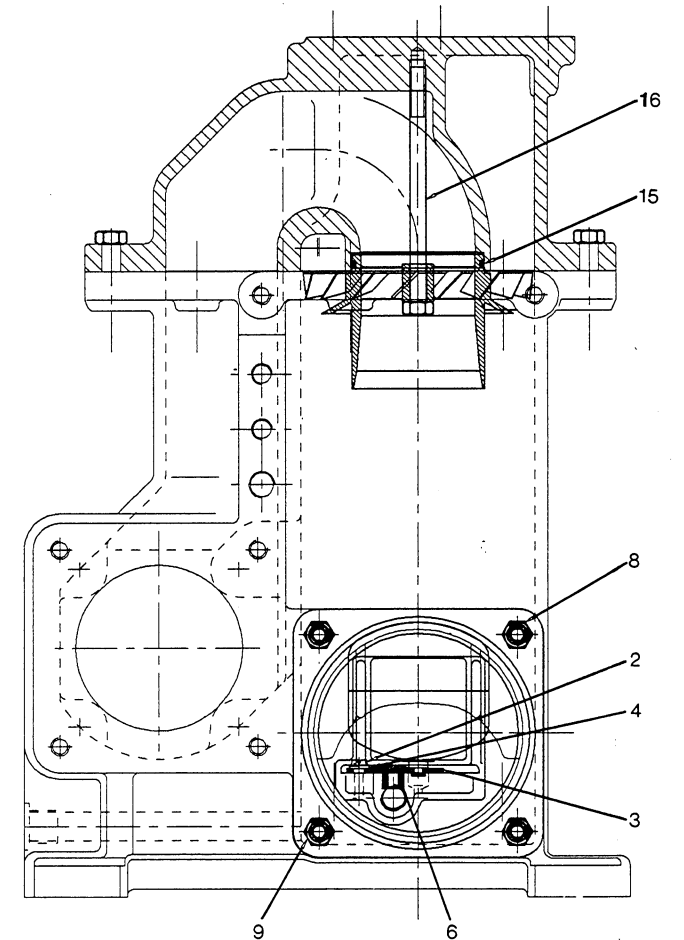
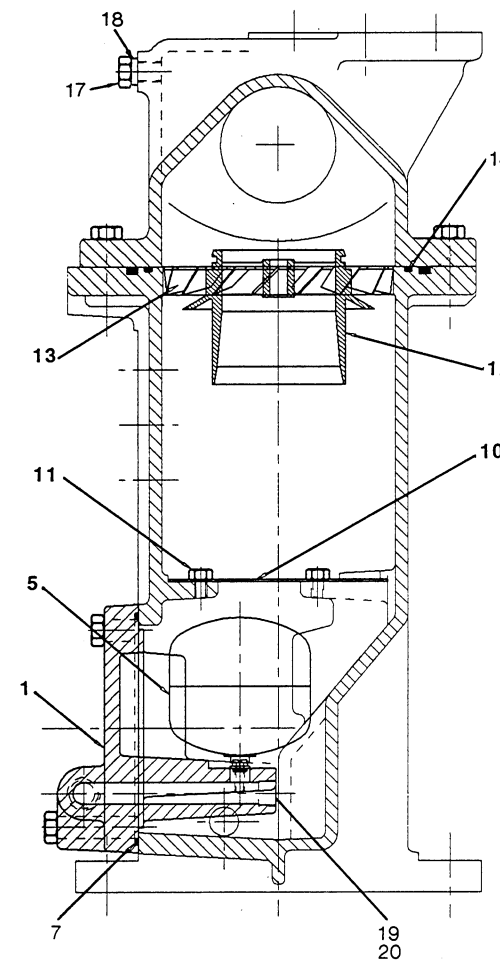
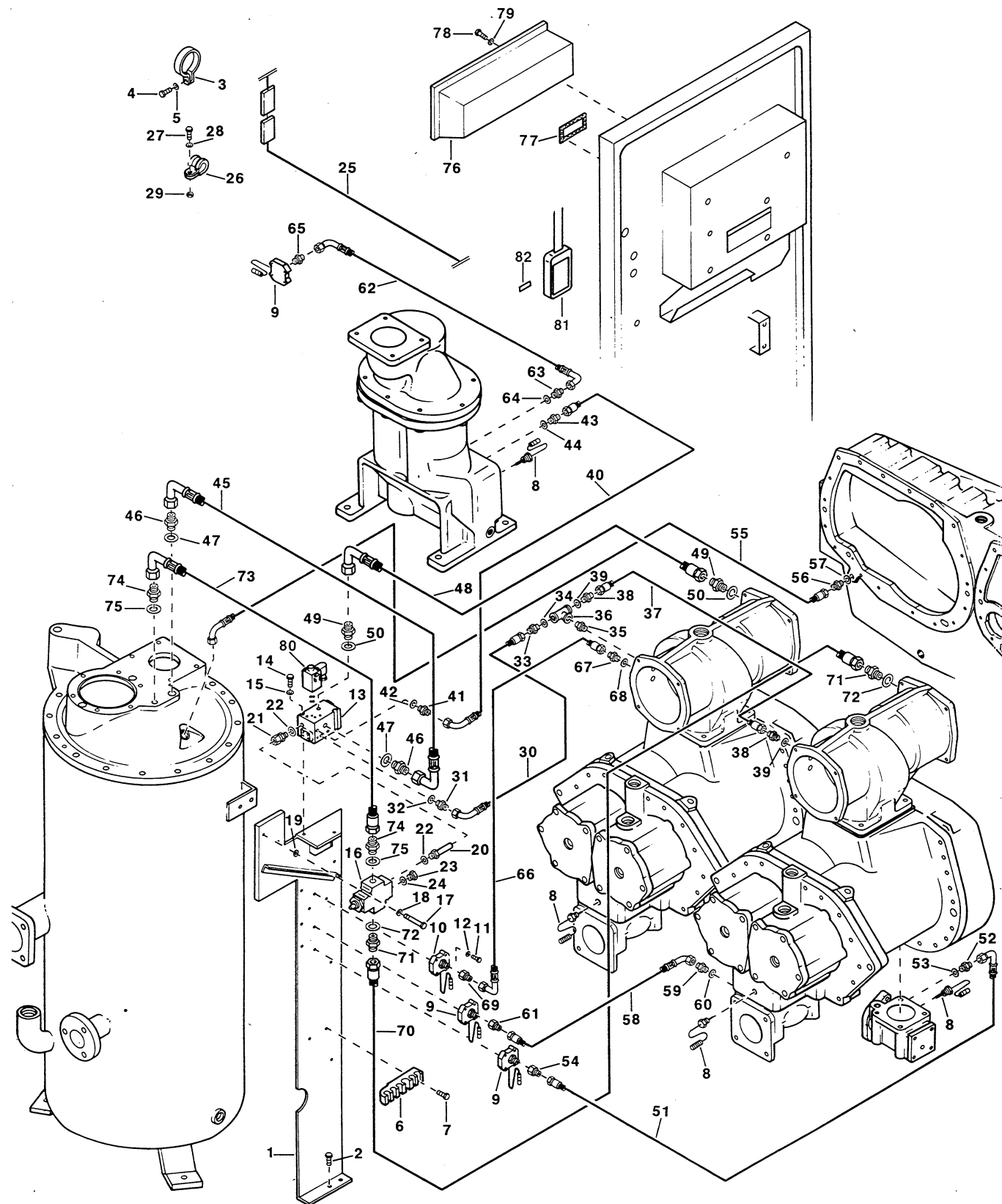
Ref.	A	B	C	D	Designation	Ref.	A	B	C	D	Designation
-	1614 7274 80			1	Minimum pressure valve	8	1614 7280 00	■		1	Spring
1	1614 7277 00	■		1	Piston	9	1614 7275 00	■		1	Cover
2	1619 6199 00	■	5	1	Seal ring	10	0147 1958 97	■		2	Bolt
3	1614 7276 00	■		1	Check valve	11	1614 7278 00	■		1	Sleeve
4	1614 7279 00	■	5	1	Washer	5 2906 0201 00: Minimum pressure valve kit					
5	1614 7281 00	■		1	Washer	1614 7274 80 02					
6	2254 9215 00	■	5	1	Lock plate	22_100_0_0_1					
7	0147 1322 03	■		3	Bolt						

Regulating connections
 Regelaansluitingen
 Regleringsanslutningar
 Regelanschlüsse
 Connexions de régulation
 Conexiones de regulación
 Conessioni della regolazione

Ref.	A	B	C	D	Designation	Ref.	A	B	C	D	Designation
1	1614 7262 00			1	Support	46	1079 5840 21			2	Nipple
2	1619 2766 00			4	Bolt	47	0653 1124 00			2	Gasket
3	0346 2116 00			3	Pipe clamp	48	0574 8235 21			1	Hose assembly
4	0147 1247 03			3	Bolt	49	1079 5840 21			2	Nipple
5	0301 2321 00			3	Washer	50	0653 1124 00			2	Gasket
6	1613 2683 00			2	Hose support	51	0574 8841 39			1	Hose assembly
7	0160 6081 00			4	Screw	52	1619 5205 00			1	Nipple
8	1089 0517 12			5	Temperature sensor	53	0653 1062 00			1	Gasket
9	1089 0515 04			3	Pressure transducer	54	1079 5840 13			1	Nipple
10	1089 0515 07			1	Pressure transducer	55	0575 0121 47			1	Hose assembly
11	0160 6043 00			8	Bolt	56	1619 5205 00			1	Nipple
12	0301 2315 00			8	Washer	57	0653 1062 00			1	Gasket
13	1614 7285 00			1	Regulating valve	58	0574 8231 42			1	Hose assembly
14	0147 1258 03			2	Bolt	59	1619 5205 00			1	Nipple
15	0301 2321 00			2	Washer	60	0653 1062 00			1	Gasket
16	1619 5332 01			1	Vent valve	61	1079 5840 13			1	Nipple
17	0147 1256 03			2	Bolt	62	0574 8841 24			1	Hose assembly
18	0301 2321 00			2	Washer	63	1619 5205 00			1	Nipple
19	0324 1196 00			2	Spacer	64	0653 1062 00			1	Gasket
20	1615 3624 00			1	Nozzle	65	1079 5840 13			1	Nipple
21	0581 0025 00			1	Pipe coupling	66	0574 8231 05			1	Hose assembly
22	0653 1046 00			2	Gasket	67	1619 5205 00			1	Nipple
23	0686 4201 03			1	Plug	68	0653 1062 00			1	Gasket
24	0653 1046 00			1	Gasket	69	1079 5840 13			1	Nipple
25	1614 7233 00			1	Wire harness	70	0574 8235 36			1	Hose assembly
26	1613 0803 02			2	Clamp	71	1079 5840 21			2	Nipple
27	0147 1247 03			2	Bolt	72	0653 1124 00			2	Gasket
28	0301 2321 00			2	Washer	73	0575 0124 61			1	Hose assembly
29	0266 2108 00			2	Nut	74	1079 5840 21			2	Nipple
30	0574 8231 21			1	Hose assembly	75	0653 1124 00			2	Gasket
31	1079 5840 01			1	Nipple	76 1900 0598 03				1	Regulator
32	0653 1046 00			1	Gasket	77	1202 5402 00			1	Gasket
33	1619 5205 00			1	Nipple	78	0147 1322 03			4	Bolt
34	0653 1062 00			1	Gasket	79	0301 2335 00			4	Washer
35	0603 4102 03			1	Nipple	80				1	Solenoid valve
36	0564 0000 24			1	Tee	1089 0505 07		C			- 24 V-60 Hz
37	0574 8231 21			1	Hose assembly	1089 0505 06					- 24 V-50/60 Hz
38	1619 5205 00			2	Nipple	x	0663 2104 83	■		2	O-ring
39	0653 1062 00			2	Gasket	81	1089 9212 02			1	Programmer
40	0574 8841 55			1	Hose assembly	82	1614 6066 00			1	Label
41	1079 5840 01			1	Nipple	1611 5905 93 03/1611 5905 94 01/1611 5913 62 03/					
42	0653 1046 00			1	Gasket	1611 5914 61 05					
43	1619 5205 00			1	Nipple	26_201_0_0_0					
44	0653 1062 00			1	Gasket						
45	0575 0405 30			1	Hose assembly						



Water separator
 Waterafscheider
 Vattenavskiljare
 Wasserabscheider
 Séparateur d'eau
 Separador de agua
 Separatore di condensa

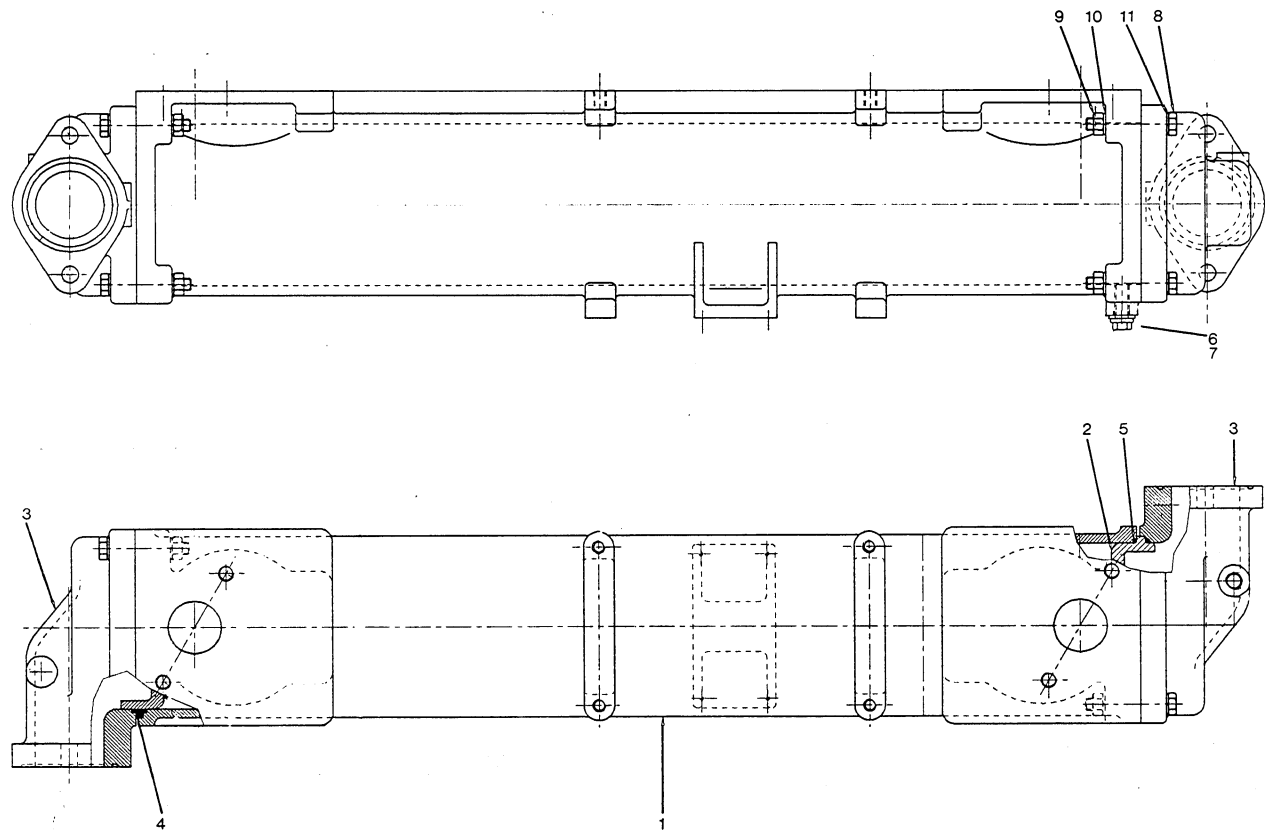


Ref.	A	B	C	D	Designation
-	1614 6481 80			1	Water separator
-	1614 6484 80	■		1	Valve base
1	1614 6484 00	■		1	Valve base
2	0160 1244 01	■		1	Screw
3	1202 3739 00	■	6	1	Membrane
4	1202 3740 00	■		1	Clamp
5	1202 3825 00	■		1	Float
6	1614 7735 00	■	6	1	Insert
7	0663 7153 00	■	6	1	O-ring
8	0147 1404 03	■		3	Bolt
9	0147 1410 03	■		1	Bolt
10	1614 6486 00	■		1	Shield
11	0147 1320 03	■		3	Bolt
12	1614 6481 00	■		1	Impinger

Ref.	A	B	C	D	Designation
13	1614 6482 00	■		1	Swirlers
14	0663 2104 35	■		1	O-ring
15	0663 9870 00	■		1	O-ring
16	0147 1383 03	■		1	Bolt
17	0686 3716 01	■		1	Plug
18	0653 1062 00	■		1	Gasket
19	0686 3716 30	■		1	Plug
20	0661 1026 00	■	6	1	Gasket
6 2906 0096 00: Water separator kit					
1614 6481 80 09/1614 6484 80 02					
09_092_2.0_1					



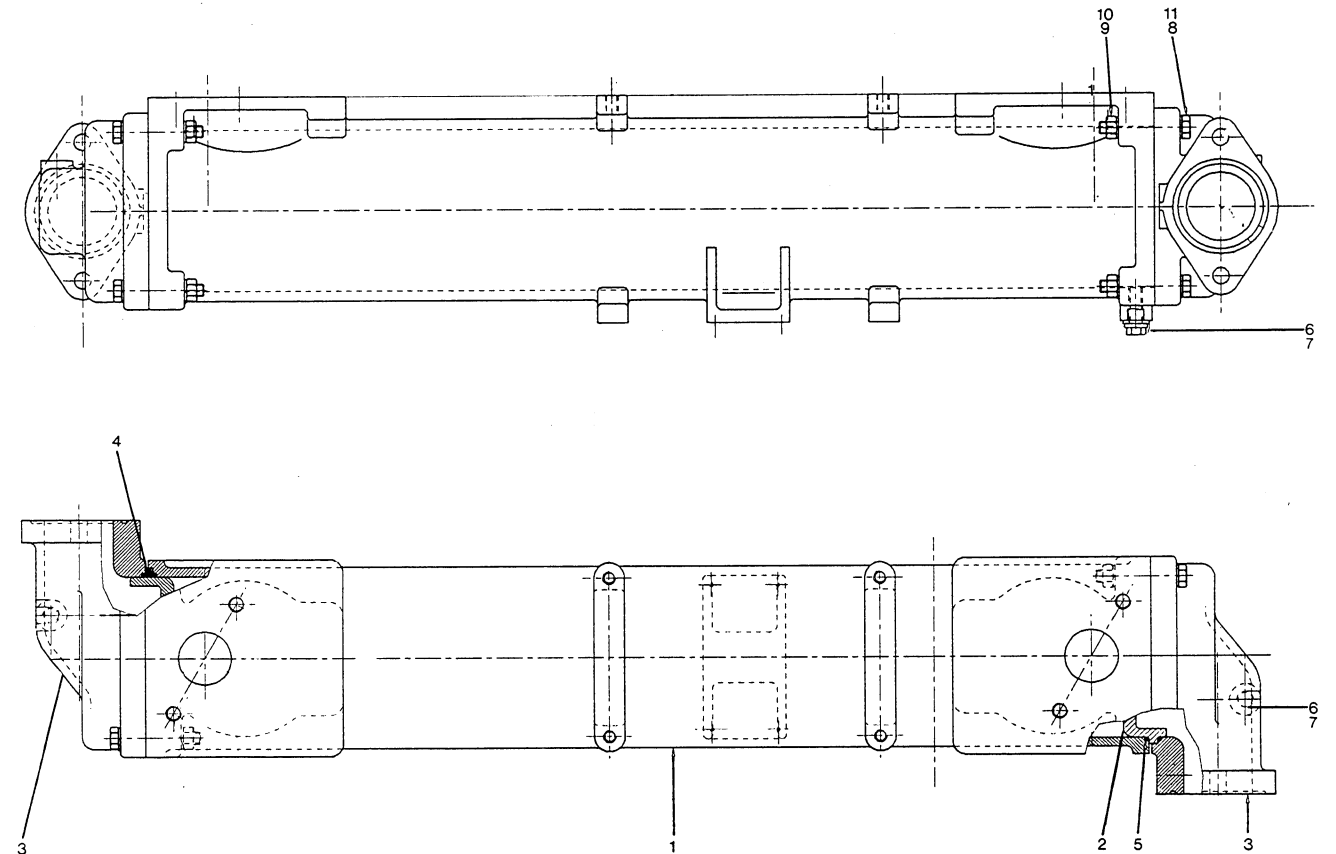
Oil cooler
 Oliekoeler
 Oljekylare
 Ölkühler
 Refroidisseur d'huile
 Refrigerador de aceite
 Refrigeratore dell'olio



Ref.	A	B	C	D	Designation
--				1	Oil cooler
	1614 7340 06	Sa			- "
	1614 7340 08				- "
1	1614 7380 00	■		1	Housing
2	1614 6242 00	■		1	Core
3	1614 7382 00	■		2	Cover
4	1614 6257 00	■		1	Ring
5	1614 6256 00	■	11	4	O-ring
6	0661 1033 00	■	1,2,11	1	Gasket
7	0686 3716 01	■		1	Plug
8	0147 1408 03	■		8	Bolt

Ref.	A	B	C	D	Designation
9	0266 2112 00	■		8	Nut
10	0333 2136 00	■	11	8	Lock washer
11	0301 2358 00	■		8	Washer
1	2906 0199 00: Oil filter kit				
2	2906 0200 00: Air/oil filter kit				
11	2906 0205 00: Oil cooler kit				
1614 7340 10 02					
13_053_0_0_1					

Oil cooler
 Oliekoeler
 Oljekylare
 Ölkühler
 Refroidisseur d'huile
 Refrigerador de aceite
 Refrigeratore dell'olio



Ref.	A	B	C	D	Designation
--				1	Oil cooler
	1614 7341 06	Sa			- "
	1614 7341 08				- "
1	1614 7380 00	■		1	Housing
2	1614 6242 00	■		1	Core
3	1614 7381 00	■		2	Cover
4	1614 6257 00	■		1	Ring
5	1614 6256 00	■		4	O-ring
6	0653 1062 00	■	11	3	Gasket
7	0686 3716 01	■		3	Plug

Ref.	A	B	C	D	Designation
8	0147 1408 03	■		8	Bolt
9	0266 2112 00	■		8	Nut
10	0333 2136 00	■		8	Lock washer
11	0301 2358 00	■		8	Washer
11	2906 0205 00: Oil cooler kit				
1614 7341 10 02					
13_054_0_0_1					





+7(916) 033-41-41

apsair@apsair.ru

apsair.ru

