

Atlas Copco Stationary Air Compressors

GA 30⁺, GA 37, GA 45

Parts list

From following serial No. onwards :
API - 591 000

No. 2930 7012 00

2006 - 09



<https://apsair.ru>

Atlas Copco

Contents
Inhoud
Innehåll
Inhaltsverzeichnis
Table des matières
Indice

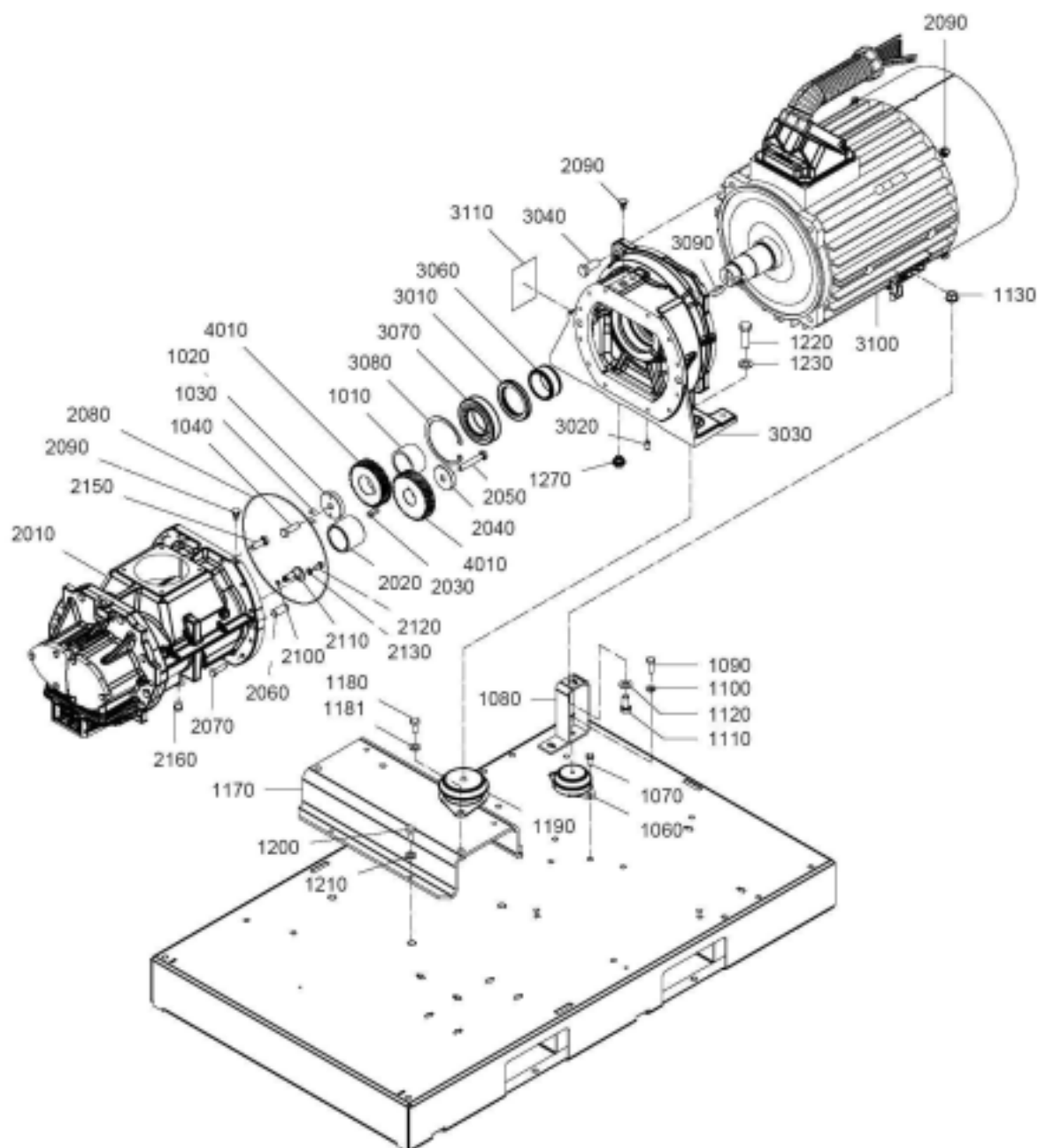
Indice
Innehållsförteckning
Indice
Indholdsfortegnelse
Sisällysluettelo

Drive arrangement Aandrijfuitvoering Drivarrangemang Antriebsanordnung Dispositif d'entraînement Disposición de accionamiento Disposizione di azionamento Arrangement Disposição de accionamento Drivarrangement Rakenne	1	Air flow and cooling system Luchtstroming en koelsysteem Luftflöde och kylsystem Luftstrom und Kühlsystem Flux d'air et circuit de refroidissement Flujo de aire y sistema de refrigeración Flusso d'aria e sistema di raffreddamento Luftflow og kølesystem Fluxo de ar e sistema de arrefecimento Luftstrøm og kjølesystem Ilman virtaus ja jäähdytysjärjestelmä	
Air flow Luchtstroming Luftflöde Luftstrom Flux d'air Flujo de aire Flusso d'aria Luftflow Fluxo de ar Luftstrøm Ilman virtaus		- Aircooled	5
- Air inlet	2	- Watercooled	6
Unloading valve Ontlastventiel Avlastningsventil Entlastungsventil Soupape de décharge Válvula de descarga Valvola di messa a vuoto Aflastningsventil Válvula de descarga Avlastningsventil Kevennysventtiili	3	Oil system Oliesysteem Oljesystem Ölsystem Système d'huile Sistema de aceite Sistema dell'olio Oliesystem Sistema de óleo Oljesystem Voitelujärjestelmä	7
Air receiver Luchtketel Luftbehållare Luftbehälter Réservoir d'air Depósito de aire Serbatoio dell'aria Oliebeholder Reservatório de ar Luftbeholder Ilmasäiliö	4	Air dryer Luchtdroger Lufttorkare Lufttrockner Sécheur d'air Secador de aire Essiccatore d'aria Lufttørrer Secador de ar Lufttørker Kuivain	
		- Electrical cubicle	8
		- Heat exchanger	9
		- Piping	10
		- Electrical and mechanical parts	11

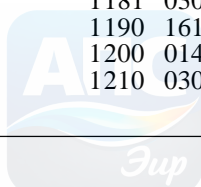
Air outlet		Start cubicle	
Luchtuitlaat		Startkast	
Luftutlopp		Startskåp	
Luftauslaß		Anlaßschrank	
Sortie d'air		Armoire de démarrage	
Salida de aire		Cubículo de arranque	
Mandata dell'aria		Armadio apparecch. di avviamento	
Luftafgang		Starterskab	
Saida de ar		Cubículo-arranque	
Luftutløp		Startskap	
Paineilmaputki		Käynnistinkotelo	
- Aircooled - Pack	12	- CSA/UL	20
- Aircooled - Full Feature	13	- IEC	21
- Watercooled - Pack	14	Bodywork	
- Watercooled - Full Feature	15	Carrosserie	
Drain system		Karosseri	
Aftapsysteem		Karosserie	
Avtappingssystem		Capotage	
Ablaßsystem		Carrocería	
Système de vidange		Cappottatura	
Sistema de drenaje		Karosseri	
Sistema di scarico		Carroceria	
Drænsystem		Kabinett	
Sistema de drenagem de condensados		Kotelo	22
Avtappingssystem		Service kits	
Lauhteenpoistojärjestelmä		Service kits	
- Aircooled - Pack	16	Service kits	
- Aircooled - Full Feature	17	Service Kits	
- Watercooled - Pack	18	Service kits	
- Watercooled - Full Feature	19	Service kits	
		Kit per la manutenzione	
		Service kits	
		Conjuntos de reparação	
		Servicesett	
		Huoltotarvikesarjat	23

1

Drive arrangement

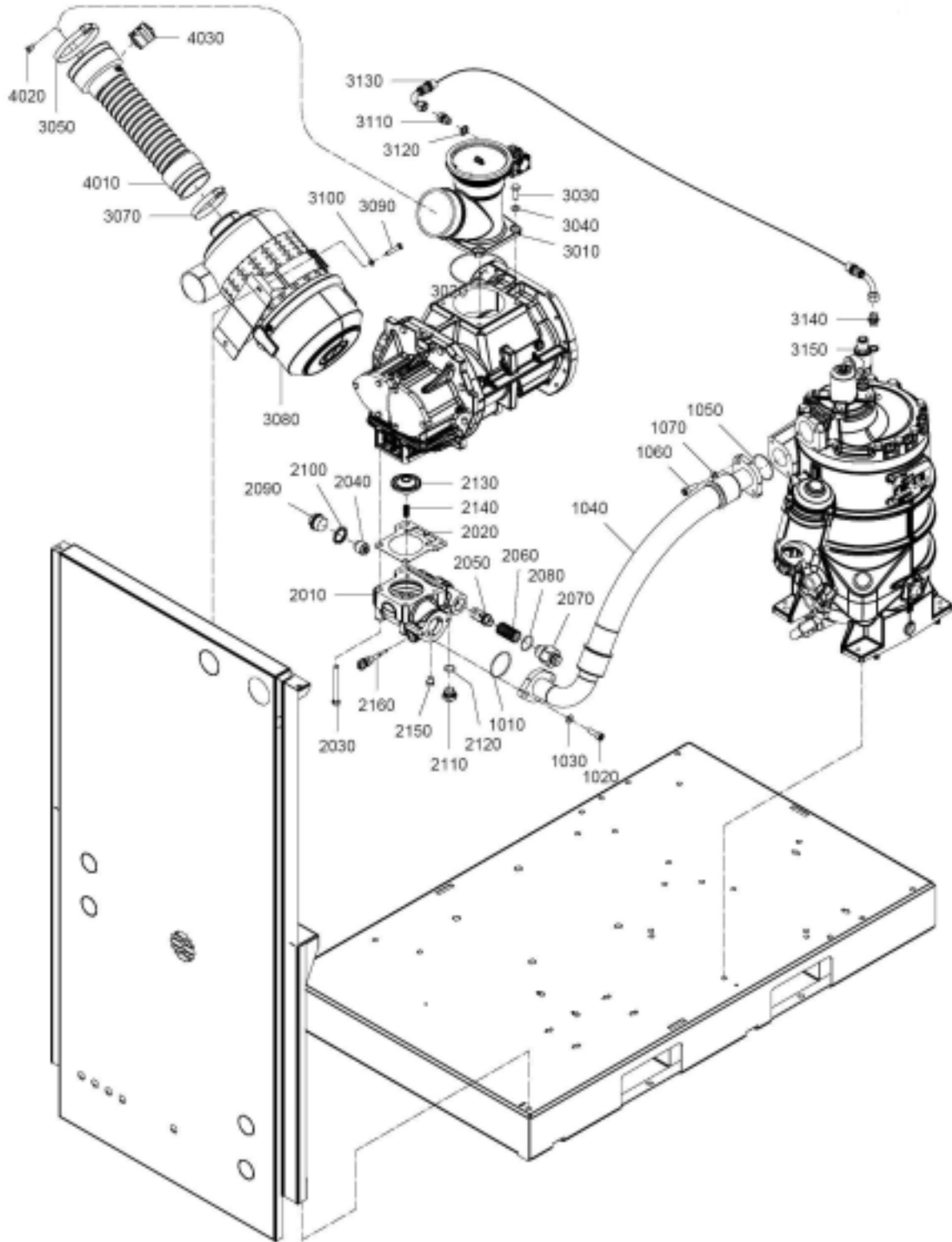


Ref.	Part number	Qty	Name	Remarks	Ref.	Part number	Qty	Name	Remarks
1010	1622 3108 00	1	Spacer		1110	0147 1440 03	2	Bolt	
1020	1622 3105 00	1	Spacer		1120	0301 2371 00	2	Washer	
1030	0101 2313 00	2	Pin		1130	0291 1128 24	2	Lock nut	
1040	0147 1403 03	1	Hexagon bolt		1170	1622 4822 00	1	Support	
1060	1613 6752 21	2	Pad		1180	0147 1400 03	4	Hexagon bolt	
1070	0147 1963 08	4	Hexagon bolt		1181	0301 2358 00	4	Washer	
1080	1622 5720 00	2	Support		1190	1613 6752 12	2	Antivibr. pad	
1090	0147 1363 03	2	Hexagon bolt		1200	0147 1400 03	4	Hexagon bolt	
1100	0301 2344 00	2	Washer		1210	0301 2358 00	4	Washer	



Ref.	Part number	Qty	Name	Remarks	Ref.	Part number	Qty	Name	Remarks
1220	0147 1479 03	2	Hexagon bolt		1080	4247 54		GA 45 400V/50Hz	
1230	0301 2378 00	2	Washer		1080	4247 55		GA 45 415V/50Hz	
1270	1622 5501 80	1	Assembly plug		1080	4247 56		GA 45 500V/50Hz	
2010	1616 7281 80	1	Service stage		1080	4247 57		GA 45 525V/50Hz	
2020	1622 5541 00	1	Spacer		1080	4247 58		GA 45 690V/50Hz	
2030	0337 6051 00	1	Parallel key		1080	4247 61		GA 45 200V/60Hz	
2040	1622 5593 00	1	Spacer		1080	4247 62		GA 45 220-230V/60Hz	
2050	0147 1409 03	1	Hexagon bolt		1080	4247 63		GA 45 380V/60Hz	
2060	0101 1951 40	2	Pin		1080	4247 64		GA 45 575V/60Hz	
2070	0147 1364 03	12	Hexagon bolt		1080	4247 65		GA 45 480V/60Hz	
2080	0663 2103 22	1	O-ring		1080	4147 66		GA 45 690V/60Hz	
2090	1619 6032 00	2	Nipple(Spm)		1080	4157 67		GA 45 440-460V/60Hz	
2100	0663 2107 84	1	O-ring		1080	4247 84		GA 45 400V/50Hz	1)
2110	1622 5542 00	1	Oil nozzle		1080	4247 97		GA 45 440-460V/60Hz	1)
2120	0147 1322 03	1	Hexagon bolt		3 110	1079 9903 48	1	Warning label	
2130	0301 2335 00	1	Washer		4010		1	Motor gear	
2150	0147 1402 03	1	Hexagon bolt		1622	3110 27		GA 30+ 7.5 bar(e) 50Hz	
2160	0686 3718 15	1	Plug		1622	3110 25		GA 30+ 8 bar(e) 50Hz	
3010	1622 4628 00	1	Seal		1622	3110 17		GA 30+ 10 bar(e) 50Hz	
3020	1622 3740 00	1	Drain nipple		1622	3110 77		GA 30+ 13 bar(e) 50Hz	
3030	1622 4618 00	1	Gearbox		1622	3110 15		GA 30+ 100 psig 60Hz	
3040	0147 1477 03	4	Hexagon bolt		1622	3110 13		GA 30+ 125 psig 60Hz	
3050	1619 6032 00	1	Nipple(Spm)		1622	3110 07		GA 30+ 150 psig 60Hz	
3060	1622 3106 00	1	Bushing		1622	3110 75		GA 30+ 175 psig 60Hz	
3070	0508 1100 97	1	Roller bearing		1622	3110 33		GA 37 7.5 bar(e) 50Hz	
3080	0335 2173 00	1	Circlip		1622	3110 65		GA 37 8 bar(e) 50Hz	
3090	0337 0009 69	1	Parallel key		1622	3110 27		GA 37 10 bar(e) 50Hz	
3100		1	Motor		1622	3110 17		GA 37 13 bar(e) 50Hz	
	1080 4213 51		GA 30+ 200V/50Hz		1622	3110 25		GA3 7 100 psig 60Hz	
	1080 4213 52		GA 30+ 230V/50Hz		1622	3110 19		GA 37 125 psig 60Hz	
	1080 4213 53		GA 30+ 380V/50Hz		1622	3110 15		GA 37 150 psig 60Hz	
	1080 4213 54		GA 30+ 400V/50Hz		1622	3110 11		GA 37 175 psig 60Hz	
	1080 4213 55		GA 30+ 415V/50Hz		1622	3110 81		GA 45 7.5 bar(e) 50Hz	
	1080 4213 56		GA 30+ 500V/50Hz		1622	3110 73		GA 45 8 bar(e) 50Hz	
	1080 4213 57		GA 30+ 525V/50Hz		1622	3110 35		GA 45 10 bar(e) 50Hz	
	1080 4213 58		GA 30+ 690V/50Hz		1622	3110 27		GA 45 13 bar(e) 50Hz	
	1080 4213 61		GA 30+ 200V/60Hz		1622	3110 65		GA 45 100 psig 60Hz	
	1080 4213 62		GA 30+ 220-230V/ 60Hz		1622	3110 25		GA 45 150 psig 60Hz	
	1080 4213 63		GA 30+ 440-460V/60Hz		1622	3110 79		GA 45 175 psig 60Hz	
	1080 4213 64		GA 30+ 575V/60Hz		4020		1	Element gear	
	1080 4213 65		GA 30+ 480V/60Hz		1622	3110 28		GA 30+ 7.5 bar(e) 50Hz	
	1080 4213 66		GA 30+ 690V/60Hz		1622	3110 26		GA 30+ 8 bar(e) 50Hz	
	1080 4213 67		GA 30+ 440-460V/60Hz		1622	3110 18		GA 30+ 10 bar(e) 50Hz	
	1080 4213 84		GA 30+ 400V/50Hz	1)	1622	3110 78		GA 30+ 13 bar(e) 50Hz	
	1080 4213 97		GA 30+ 440-460V/60Hz	1)	1622	3110 16		GA 30+ 100 psig 60Hz	
	1080 4214 51		GA 37 200V/50Hz		1622	3110 14		GA 30+ 125 psig 60Hz	
	1080 4214 52		GA 37 230V/50Hz		1622	3110 08		GA 30+ 150 psig 60Hz	
	1080 4214 53		GA 37 380V/50Hz		1622	3110 76		GA 30+ 175 psig 60Hz	
	1080 4214 54		GA 37 400V/50Hz		1622	3110 34		GA 37 7.5 bar(e) 50Hz	
	1080 4214 55		GA 37 415V/50Hz		1622	3110 66		GA 37 8 bar(e) 50Hz	
	1080 4214 56		GA 37 500V/50Hz		1622	3110 28		GA 37 10 bar(e) 50Hz	
	1080 4214 57		GA 37 525V/50Hz		1622	3110 18		GA 37 13 bar(e) 50Hz	
	1080 4214 58		GA 37 690V/50Hz		1622	3110 26		GA 37 100 psig 60Hz	
	1080 4214 61		GA 37 200V/60Hz		1622	3110 20		GA 37 125 psig 60Hz	
	1080 4214 62		GA 37 220-230V/60Hz		1622	3110 16		GA 37 150 psig 60Hz	
	1080 4214 63		GA 37 380V/50Hz		1622	3110 12		GA 37 175 psig 60Hz	
	1080 4214 64		GA 37 575V/60Hz		1622	3110 82		GA 45 7.5 bar(e) 50Hz	
	1080 4214 65		GA 37 480V/60Hz		1622	3110 74		GA 45 8 bar(e) 50Hz	
	1080 4214 66		GA 37 690V/60Hz		1622	3110 36		GA 45 10 bar(e) 50Hz	
	1080 4214 67		GA 37 440-460V/60Hz		1622	3110 28		GA 45 13 bar(e) 50Hz	
	1080 4214 84		GA 37 400V/50Hz	1)	1622	3110 66		GA 45 100 psig 60Hz	
	1080 4214 97		GA 37 440-460V/60Hz	1)	1622	3110 26		GA 45 150 psig 60Hz	
	1080 4247 51		GA 45 200V/50Hz		1622	3110 80		GA 45 175 psig 60Hz	
	1080 4247 52		GA 45 230 50Hz						
	1080 4247 53		GA 45 380V/50Hz	1)					
									Optional equipment

2

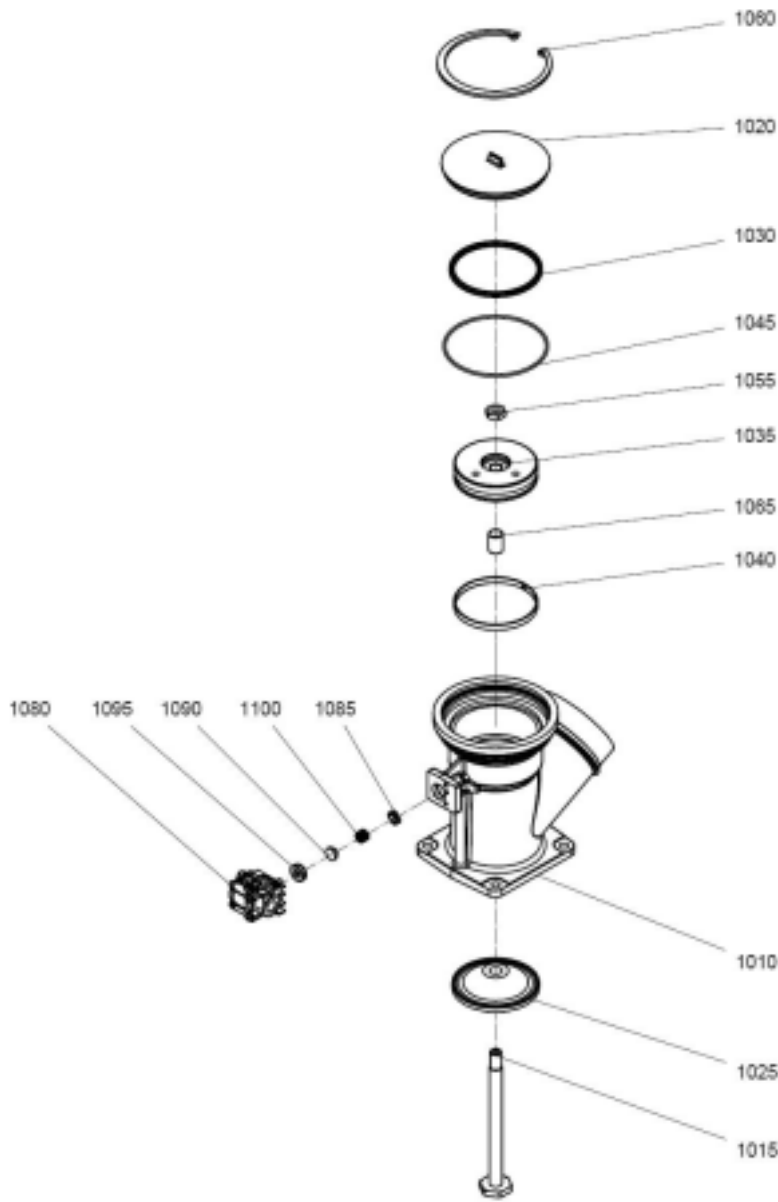


Air flow - Air inlet

2

Ref.	Part number	Qty	Name	Remarks	Ref.	Part number	Qty	Name	Remarks
1010	0663 7136 00	1	O-ring		2140	1622 0796 00	1	Spring	
1020	0211 1363 03	2	Cap screw		2150	0686 3718 15	1	Plug	
1030	0301 2344 00	2	Washer		2160	1089 0574 55	1	Temp. sensor	
1040	1622 5739 00	1	Hose		3010	<<< >>>	1	Unloader assembly	
1050	0663 7136 00	1	O-ring		3020	0663 7150 00	1	O-ring	
1060	0211 1363 03	2	Cap screw		3030	0147 1363 03	4	Hexagon bolt	
1070	0301 2344 00	2	Washer		3040	0301 2344 00	4	Washer	
2010	1622 4639 00	1	Valve housing		3050	0347 6115 00	1	Hose clip	
2020	1622 4664 00	1	Gasket		3070	0347 6116 00	1	Hose clip	
2030	0147 1377 03	4	Hexagon bolt		3080	1622 5722 80	1	Air filter	
2040	1613 2359 00	1	Piston		3090	0147 1328 03	2	Hexagon bolt	
2050	1613 8907 00	1	Valve body		3100	0301 2335 00	2	Washer	
2060	1613 2357 00	1	Compr. spring		3110	1079 5840 03	1	Nipple	
2070	1622 5565 00	1	Nipple		3120	0661 1000 40	1	Seal washer	
2080	0663 3130 00	1	O-ring		3130	0575 1281 02	1	Flexible	
2090	0686 3716 07	1	Hexagon plug		3140	1079 5840 03	1	Nipple	
2100	0661 1000 44	1	Seal washer		3150	0661 1000 40	1	Seal washer	
2110	1622 3551 06	1	Nipple		4010	1622 5710 00	1	Hose	
2120	0663 3119 00	1	O-ring		4020	1615 6960 00	1	Nipple	
2130	1622 9639 00	1	Check valve		4030	1613 7912 01	1	Indicator	

3

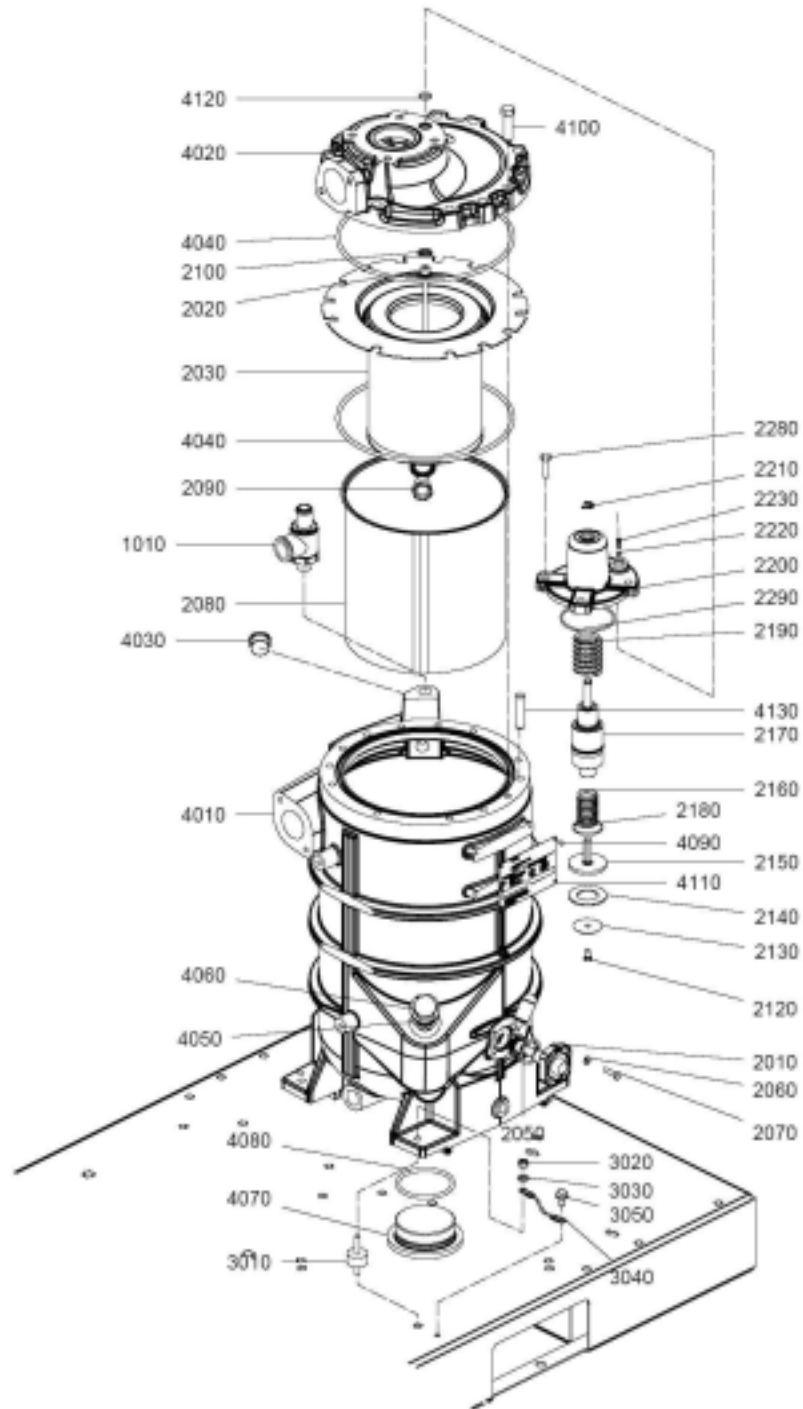


Unloader

3

Ref.	Part number	Qty	Name	Remarks	Ref.	Part number	Qty	Name	Remarks
	1622 3162 80	1	Unloader assembly		1055	0261 1090 87 ●	1	Nut	
1010	1622 3162 00 ●	1	Housing		1060	0335 2179 00 ●	1	Circlip	
1015	1622 3164 00 ●	1	Rod		1065	1622 3170 00 ●	1	Bushing	
1020	1622 3163 00 ●	1	Cover		1070	0160 0996 86 ●	2	Cross rec screw	
1025	1613 6818 01 ●	1	Valve		1075	0301 2318 00 ●	2	Washer	
1030	1622 3168 00 ●	1	Ring		1080	1622 3694 80 ●	1	Assembly	
1035	1622 3169 00 ●	1	Piston		1085	1622 3182 00 ●	1	Guide	
1040	1622 3173 00 ●	1	Tape		1090	1622 3183 00 ●	1	Seal	
1045	0663 7149 00 ●	1	O-ring		1095	1622 3184 00 ●	1	Bushing	
1050	0663 2111 55 ●	1	O-ring		1100	1622 3185 00 ●	1	Spring	

4



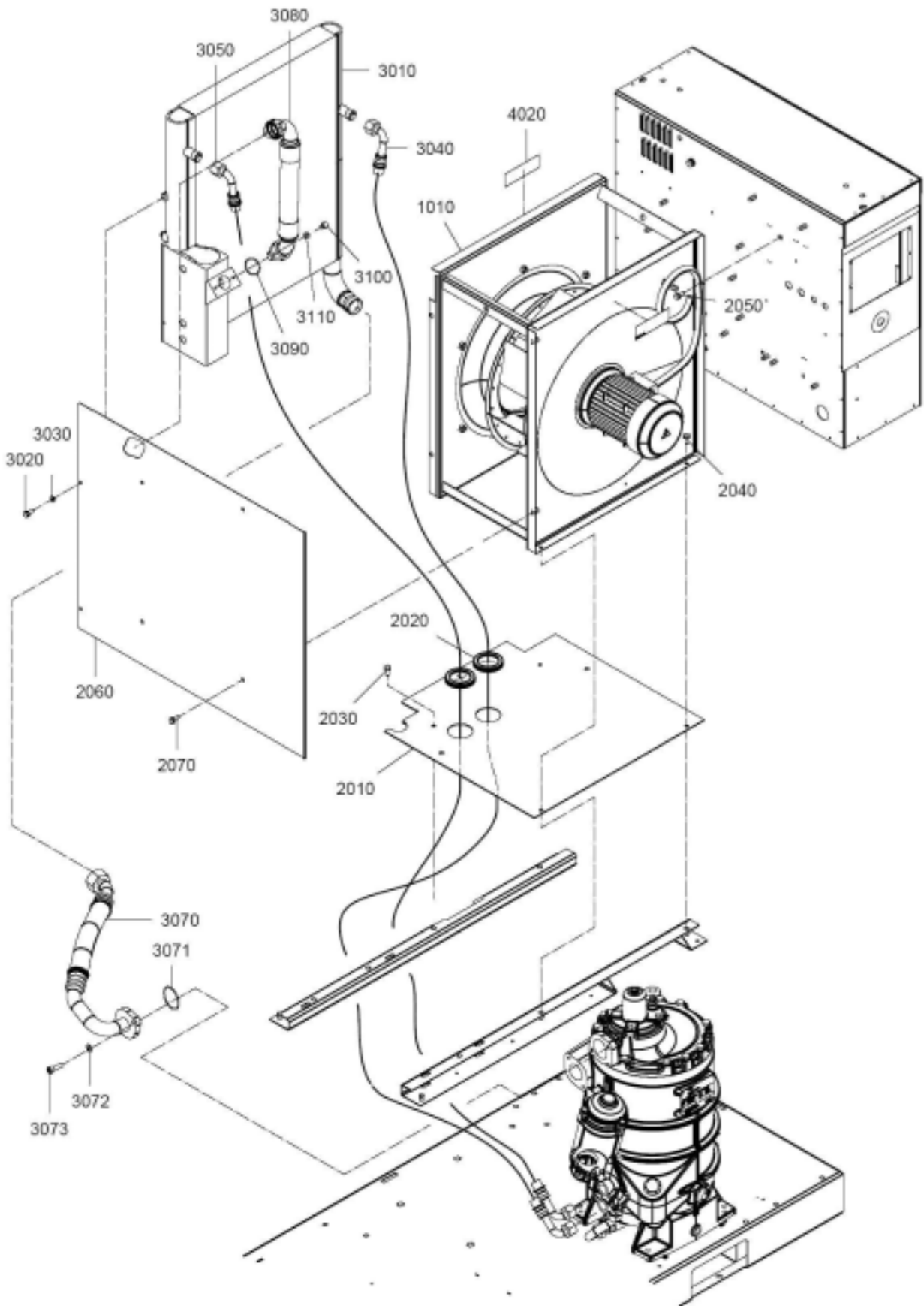
Air receiver

4

Ref.	Part number	Qty	Name	Remarks	Ref.	Part number	Qty	Name	Remarks
1010		1	Safety valve		2210	0335 3111 00	1	Retaining Ring	
	0832 1000 78		7.5 bar(e)		2220	0663 2108 11	1	O-ring	
	0832 1000 78		8 bar(e)		2230	1613 9005 01	1	Non return valve	
	0832 1000 78		10 bar(e)		2280	0147 1326 03	1	Hexagon bolt	
	0832 1000 79		13 bar(e)		2290	0663 7139 00	1	O-ring	
	0830 1008 39		100 psig		3010	2235 2544 00	4	Damper	
	0830 1008 39		125 psig		3020	0266 2110 00	4	Nut	
	0830 1008 40		150 psig		3030	0301 2335 00	4	Washer	
	0830 1008 40		175 psig		3040	1613 8967 12	1	Grounding	
2010	1622 3659 00	1	Oil level gauge		3050	0226 0301 00	1	Tapping screw	
2020	1622 6462 00	1	Pipe Scavenge Line		4010	1622 6459 00	1	Vessel	
2030	1622 6460 00	1	Separator		4020	1622 3101 00	1	Housing	
2050	0663 2102 15	1	O-ring		4030	0686 3718 18	1	Plug	
2060	0301 2321 00	4	Washer		4040	0663 2113 20	1	O-ring	
2070	0147 1249 03	4	Hexagon bolt		4050	0663 2102 15	1	O-ring	
2080	1622 6461 00	1	Shield		4060	1202 8992 00	1	Plug	
2090	1622 5078 00	1	Bushing		4070	1622 0001 01	1	Plug	
2100	0661 1000 38	1	Seal washer		4080	0663 2111 18	1	O-ring	
2120	0147 1244 03	1	Hexagon bolt		4090	0244 4184 00	4	Drive screw	
2130	1613 3222 00	1	Washer		4100	0147 1960 64	10	Hexagon bolt	
2140	1613 3223 01	1	Washer		4110		1	Data plate	
2150	1613 3221 00	1	Piston valve			1622 5524 01		ASME/CE	
2160	1622 3662 00	1	Spring			1622 5524 00		DIR/LLOYD'S	
2170	1622 3663 00	1	Piston			1622 5524 00		MOM	
2180	0663 2101 01	1	O-ring			1622 5524 02		SQL	
2190	1622 3664 00	1	Spring		4120	0663 3120 00	1	O-ring	
2200	1622 3661 00	1	Cover		4130	0101 1951 44	2	Pin	



5

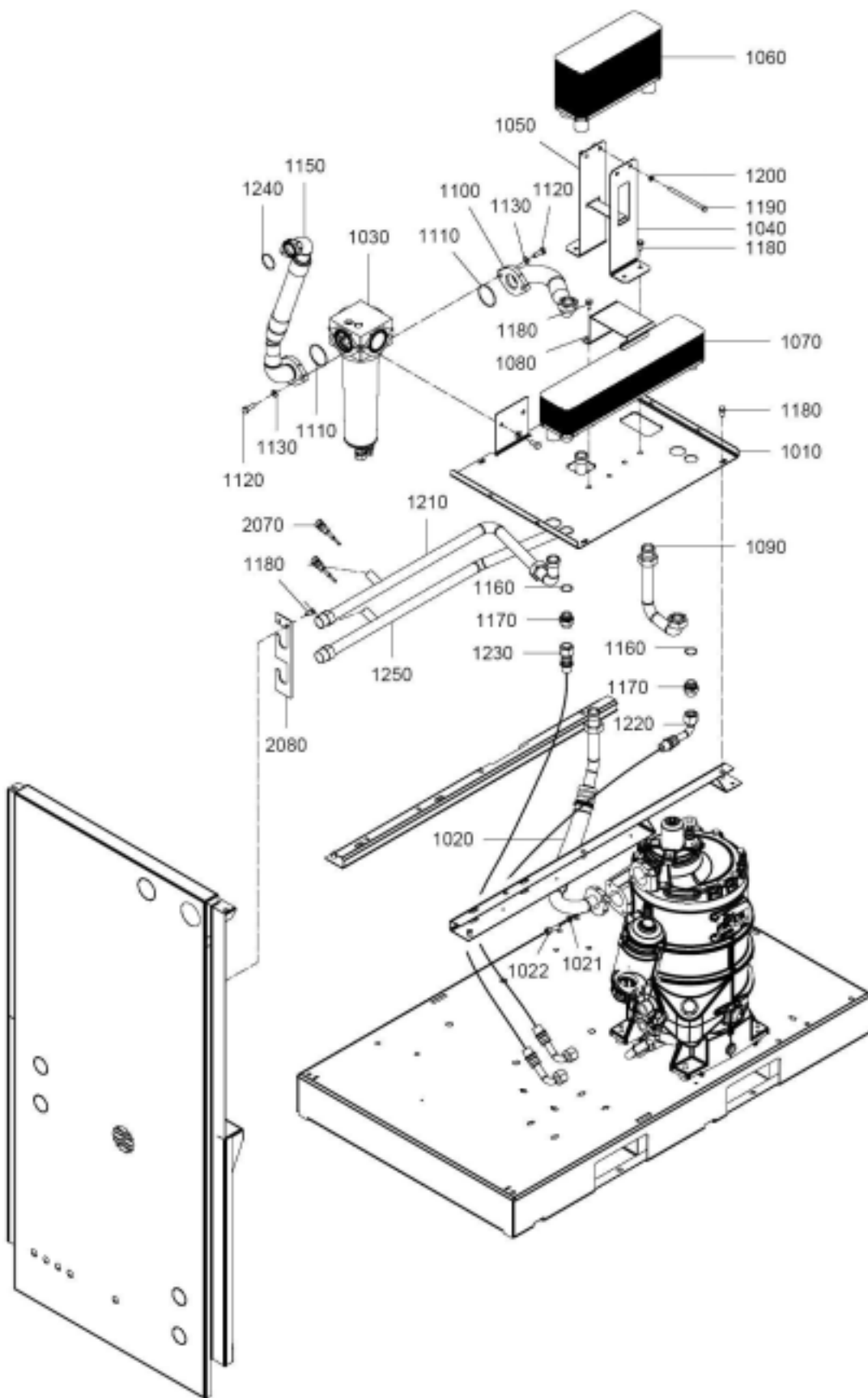


Cooling system - Aircooled

5

Ref.	Part number	Qty	Name	Remarks	Ref.	Part number	Qty	Name	Remarks
1010		1	Cooling Fan						
	1622 4891 56		GA 30+ 200V/50Hz			1622 4891 15		GA 45 400-690V/60Hz	
	1622 4891 63		GA 30+ 200V/60Hz			1622 4891 07		GA 45 415V/50Hz	
	1622 4891 61		GA 30+ 220-230-440-460V/60Hz			1622 4891 03		GA 45 440V/50Hz	
	1622 4891 51		GA 30+ 230-400V/50 Hz			1622 4891 02		GA 45 500V/50Hz	
	1622 4891 64		GA 30+ 380V/60Hz			1622 4891 04		GA 45 550V/50Hz	
	1622 4891 65		GA 30+ 400-690V/60Hz			1622 4891 12		GA 45 575V/60 Hz	
	1622 4891 57		GA 30+ 415V/50Hz			1622 4891 05		GA 45 690V/50Hz	
	1622 4891 53		GA 30+ 440V/50Hz		2010	1622 5726 00	1	Plate	
	1622 4891 52		GA 30+ 500V/50Hz		2020	1088 0803 27	2	Grommet	
	1622 4891 54		GA 30+ 550V/50Hz		2030	0147 1963 08	2	Hexagon bolt	
	1622 4891 62		GA 30+ 575V/60Hz		2040	0147 1963 08	2	Hexagon bolt	
	1622 4891 55		GA 30+ 690V/50Hz		2050	0147 1963 08	1	Hexagon bolt	
	1622 4891 06		GA 37 200V/50Hz		2060	1622 5728 00	1	Plate	
	1622 4891 13		GA 37 200V/60Hz		2070	0147 1963 08	4	Hexagon bolt	
	1622 4891 11		GA 37 220-230-440-460V/60Hz		3010		1	Cooler	
	1622 4891 01		GA 37 230-400V/50Hz			1622 5795 00		GA 30+	
	1622 4891 14		GA 37 380V/60Hz			1622 5795 00		GA 37	
	1622 4891 15		GA 37 400-690V/60Hz			1622 5796 00		GA 45	
	1622 4891 07		GA 37 415V/50Hz		3020	0147 1323 03	2	Hexagon bolt	
	1622 4891 03		GA 37 440V/50Hz		3030	0301 2335 00	1	Washer	
	1622 4891 02		GA 37 500V/50Hz		3040	0574 9918 21	1	Flexible	
	1622 4891 04		GA 37 550V/50Hz		3050	0574 9918 21	1	Flexible	
	1622 4891 12		GA 37 575V/60 Hz		3070	1622 6466 00	1	Hose	
	1622 4891 05		GA 37 690V/50Hz		3071	0663 9868 00	?	O -ring	
	1622 4891 06		GA 45 200V/50Hz		3072	0300 0274 55	?	Washer	
	1622 4891 13		GA 45 200V/60Hz		3080	1622 5744 00	2	Hose	
	1622 4891 11		GA 45 220-230-440-460V/60Hz		3090	0663 3133 00	2	O-ring	
	1622 4891 01		GA 45 230-400V/50Hz		3100	0147 1325 00	2	Hexagon bolt	
	1622 4891 14		GA 45 380V/60Hz		3110	0301 2335 00	1	Washer	
					4020	1079 9901 18	1	Warning label	

6



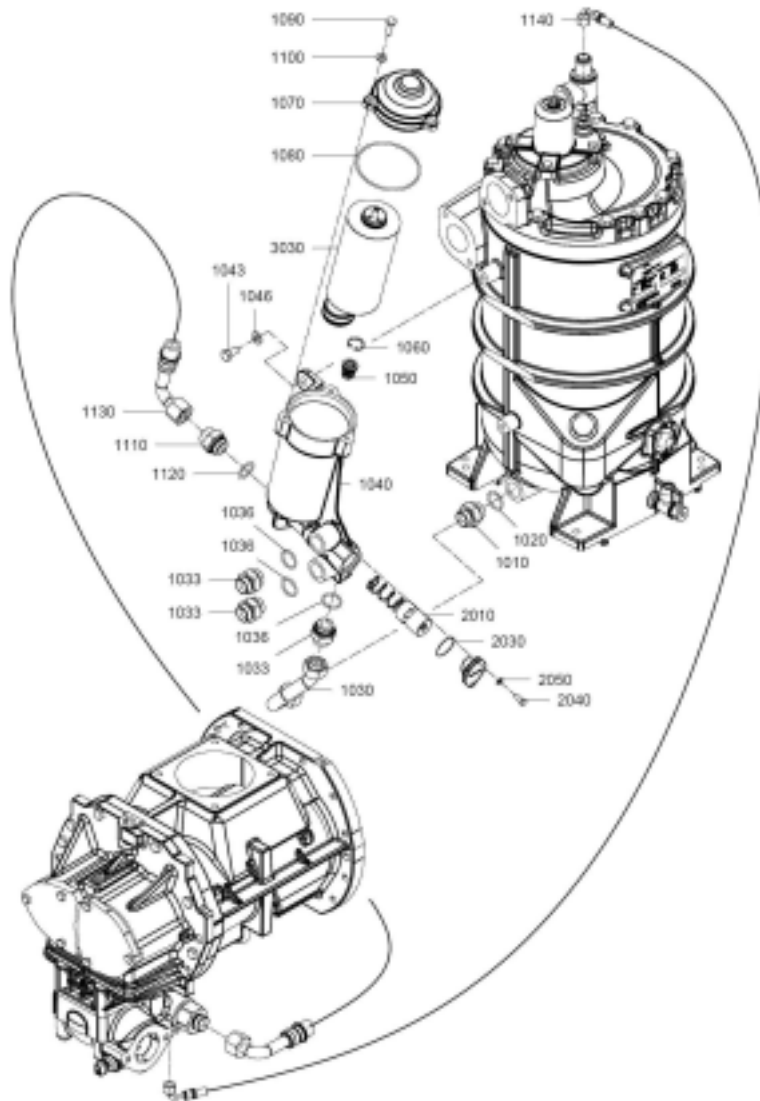
Cooling system - Watercooled

6

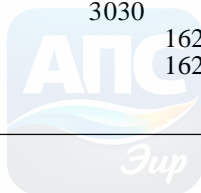
Ref.	Part number	Qty	Name	Remarks	Ref.	Part number	Qty	Name	Remarks
1010	1622 6402 00	1	Plate		1130	0301 2344 00	3	Washer	
1020	1622 6477 00	1	Hose		1140	0147 1360 03	1	Hexagon bolt	
1021	0300 0274 55	1	Washer		1150	1622 6408 00	1	Pipe	
1022	0021 1363 03	1	Bolt		1160	0663 2113 37	2	O-ring	
1030	1613 9357 80	1	Water separator		1170	1622 3551 21	2	Nipple	
1040	1622 6404 00	1	Support		1180	0147 1963 08	4	Hexagon bolt	
1050	1622 6403 00	1	Support		1190	0147 1344 03	1	Hexagon bolt	
1060	1622 5075 80	1	After cooler		1200	0301 2335 00	1	Washer	
1070	1622 5077 80	1	Oil cooler		1210	1622 6413 00	1	Pipe	
1080	1622 4642 01	1	Support		1220	0574 9911 03	1	Hose ssembly	
1090	1622 6405 00	1	Pipe		1230	0574 9917 12	1	Hose ssembly	
1100	1622 6407 00	1	Pipe		1240	0663 3133 00	1	O-ring	
1110	0663 9868 00	2	O-ring		1250	1622 6409 00	1	Pipe	
1120	0147 1363 03	2	Hexagon bolt		2070	1089 0574 49	2	Temp. sensor	

7

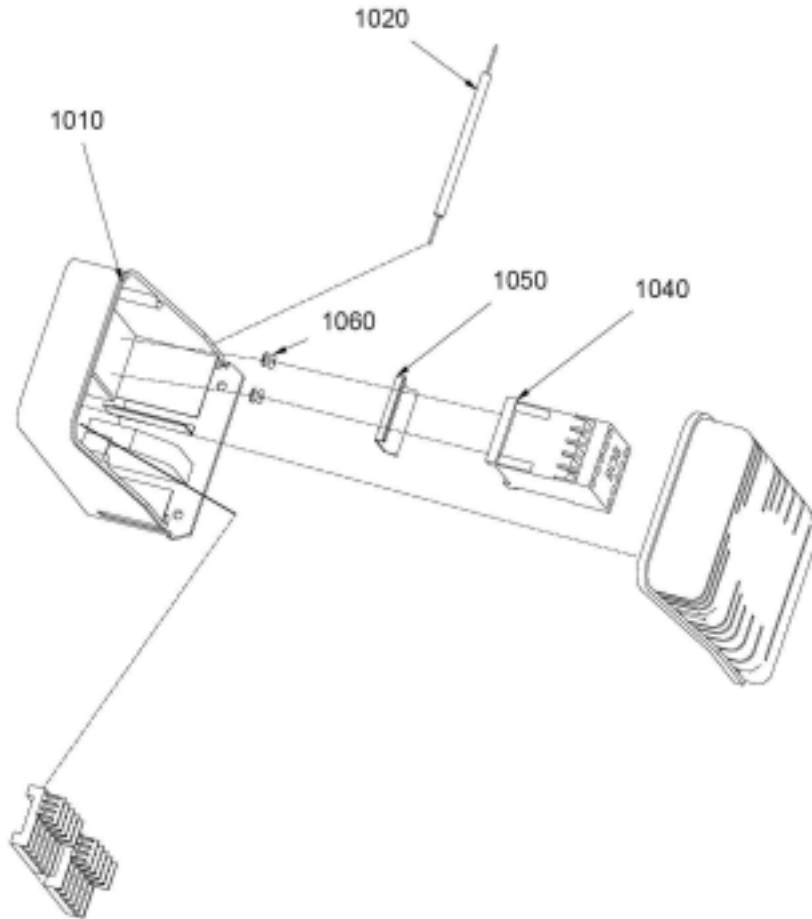
Oil system



Ref.	Part number	Qty	Name	Remarks	Ref.	Part number	Qty	Name	Remarks
1010	1622 3551 21	1	Nipple		1140	0575 1280 56	1	Flexible	
1020	0663 2113 37	1	O-ring		2010		1	Thermostatic valve	
1030	1622 6468 00	1	Pipe			1622 7064 01		7.5 bar(e)	
1033	1622 3551 21	1	Nipple			1622 7064 01		8 bar(e)	
1036	0663 2113 37	1	O-ring			1622 7064 01		10 bar(e)	
1040	1622 3902 00	1	Housing			1622 7064 04		13 bar(e)	
1043	0147 1360 03	2	Hexagon bolt			1622 7064 01		100 psig	
1046	0301 2344 00	2	Washer			1622 7064 01		125 psig	
1050	1622 3143 00	1	By pass valve			1622 7064 01		150 psig	
1060	0335 2126 00	1	Circlip			1622 7064 04		175 psig	
1070	1622 4614 00	1	Cover		2020	1614 6118 00	1	Flange	
1080	0663 2106 16	1	O-ring		2030	0663 2101 95	1	O-ring	
1090	0147 1325 03	3	Hexagon bolt		2040	0147 1246 03	1	Hexagon bolt	
1100	0301 2335 00	3	Washer		2050	0301 2321 00	2	Washer	
1110	1622 3551 21	1	Nipple		3030		1	Oil filter	
1120	0663 2113 37	1	O-ring			1622 3142 80		4000 hrs	
1130	0574 9917 11	1	Flexible			1622 5072 80		8000 hrs	



Air dryer - Electrical cubicle

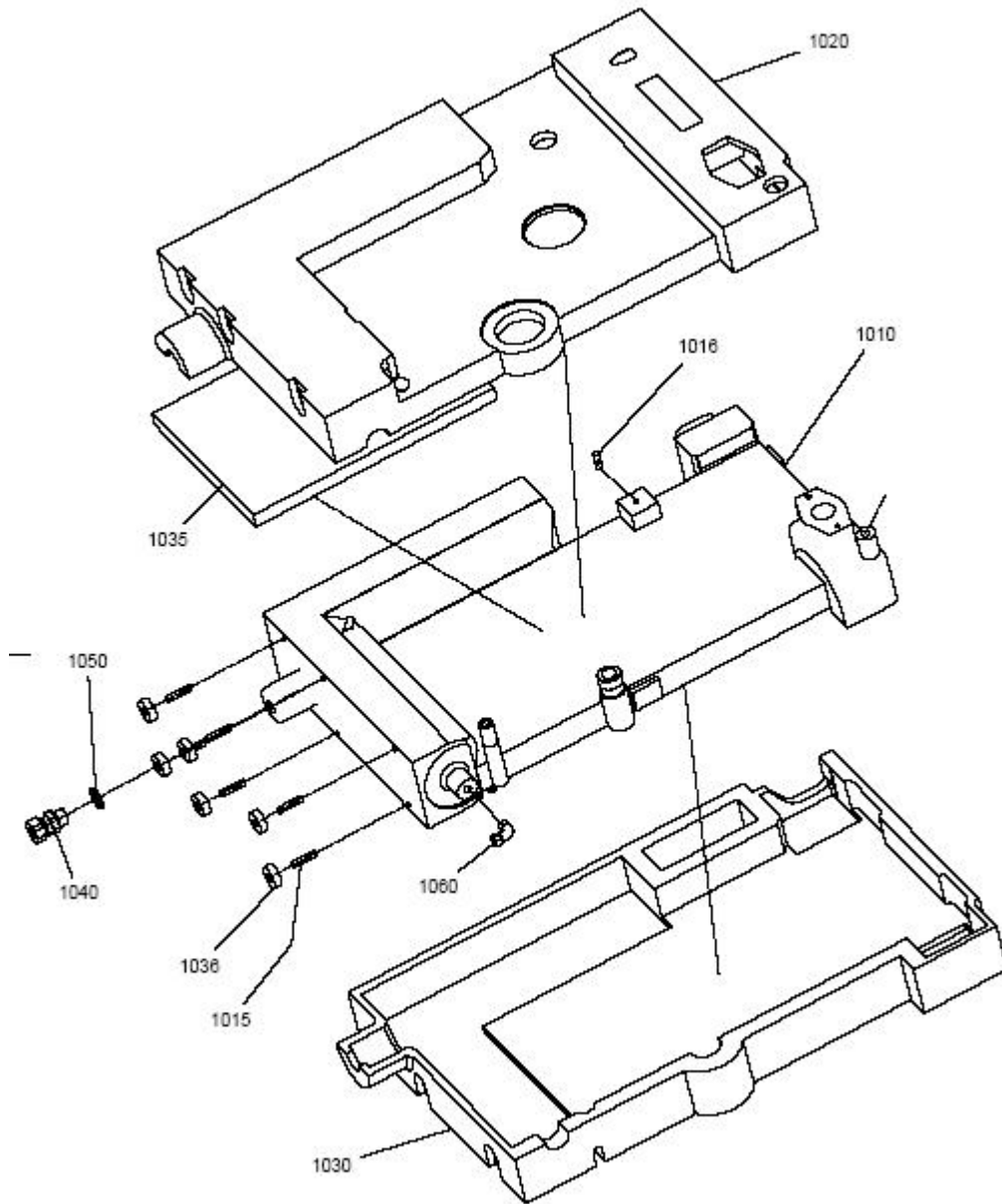


Ref.	Part number	Qty	Name	Remarks	Ref.	Part number	Qty	Name	Remarks
		1	Dryer				• 1	Wiring assy	
	2901 1300 18		ID 70		1020	1624 2512 80		ID 70	
	2901 1300 18		ID 96			1624 2512 80		ID 96	
	2901 1300 18		ID 109			1624 2512 80		ID 109	
	2901 1300 19		ID 129 220V/60Hz			1624 2657 80		ID 129 220V/60Hz	
	2901 1300 17		ID 129 400V/50Hz			1624 2602 80		ID 129 400V/50Hz	
	2901 1300 18		ID 129 460V/60Hz			1624 2512 80		ID 129 460V/60Hz	
1010		• 1	Electrical box		1040		• 1	Contactor	
	1624 2520 80		ID 70			1089 9415 54		400V/50Hz	
	1624 2520 80		ID 96			1089 9415 54		460V/60Hz	
	1624 2520 80		ID 109		1050		• 1	Rail 45mm	
	1617 1248 00		ID 129 220V/60Hz			1624 2511 00		400V/50Hz	
	1617 1248 00		ID 129 400V/50Hz			1624 2511 00		460V/60Hz	
	1624 2520 80		ID 129 460V/60Hz		1060		• 2	Blind rivet	
						0129 3121 00		400V/50Hz	
						0129 3121 00		460V/60Hz	



9

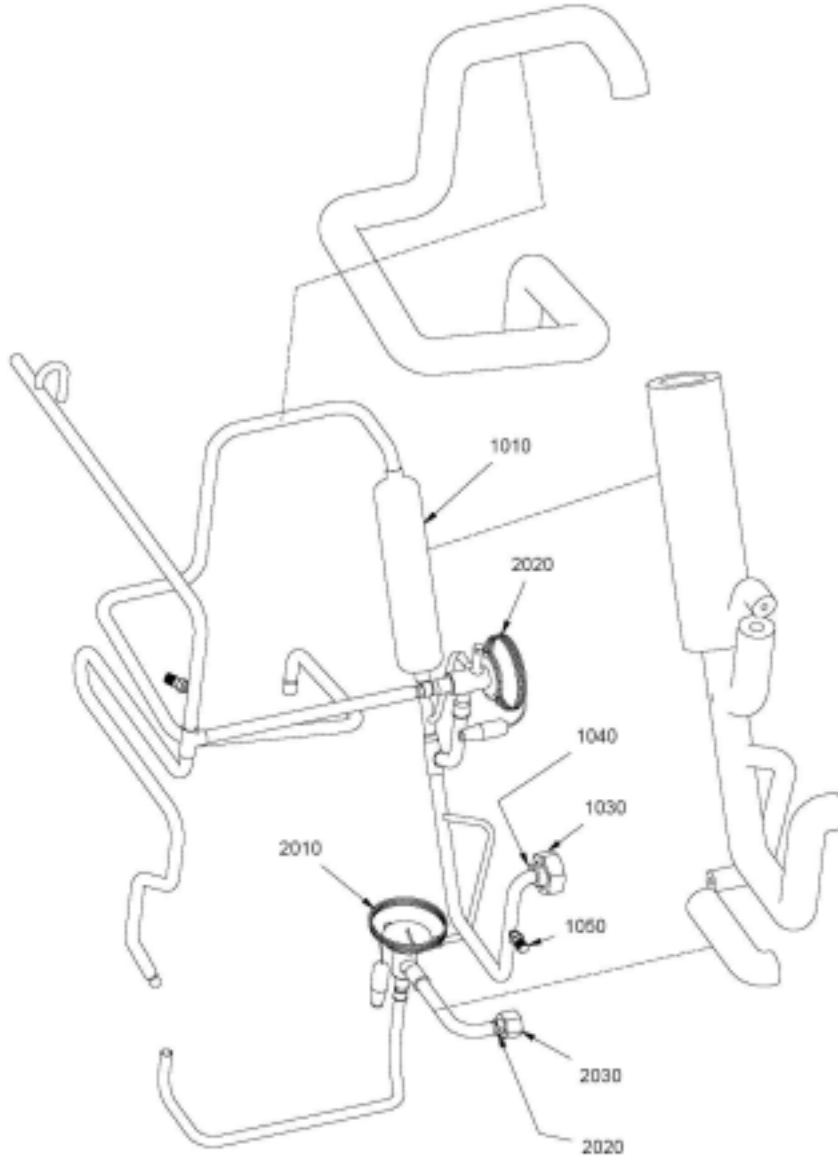
Air dryer - Heat exchanger



Ref.	Part number	Qty	Name	Remarks	Ref.	Part number	Qty	Name	Remarks
	2901 1300 16		Heat exchanger set						
1010	1624 2473 00	• 1	Heat exchanger		1035	1624 2591 00	• 1	Insulation plate ID70	
1015	0246 1955 14	• 6	Stud		1036	2202 7417 00	• 1	Spacer	
1016	0246 1954 02	• 1	Stud		1040	0581 0000 71	• 1	Pipe coupling	
1020	1624 2523 00	• 1	Insulation Front		1050	0661 1000 39	• 1	Seal washer	
1030	1624 2522 00	• 1	Insulation Back		1060	0581 1200 23	• 1	Elbow	

Air dryer - Piping

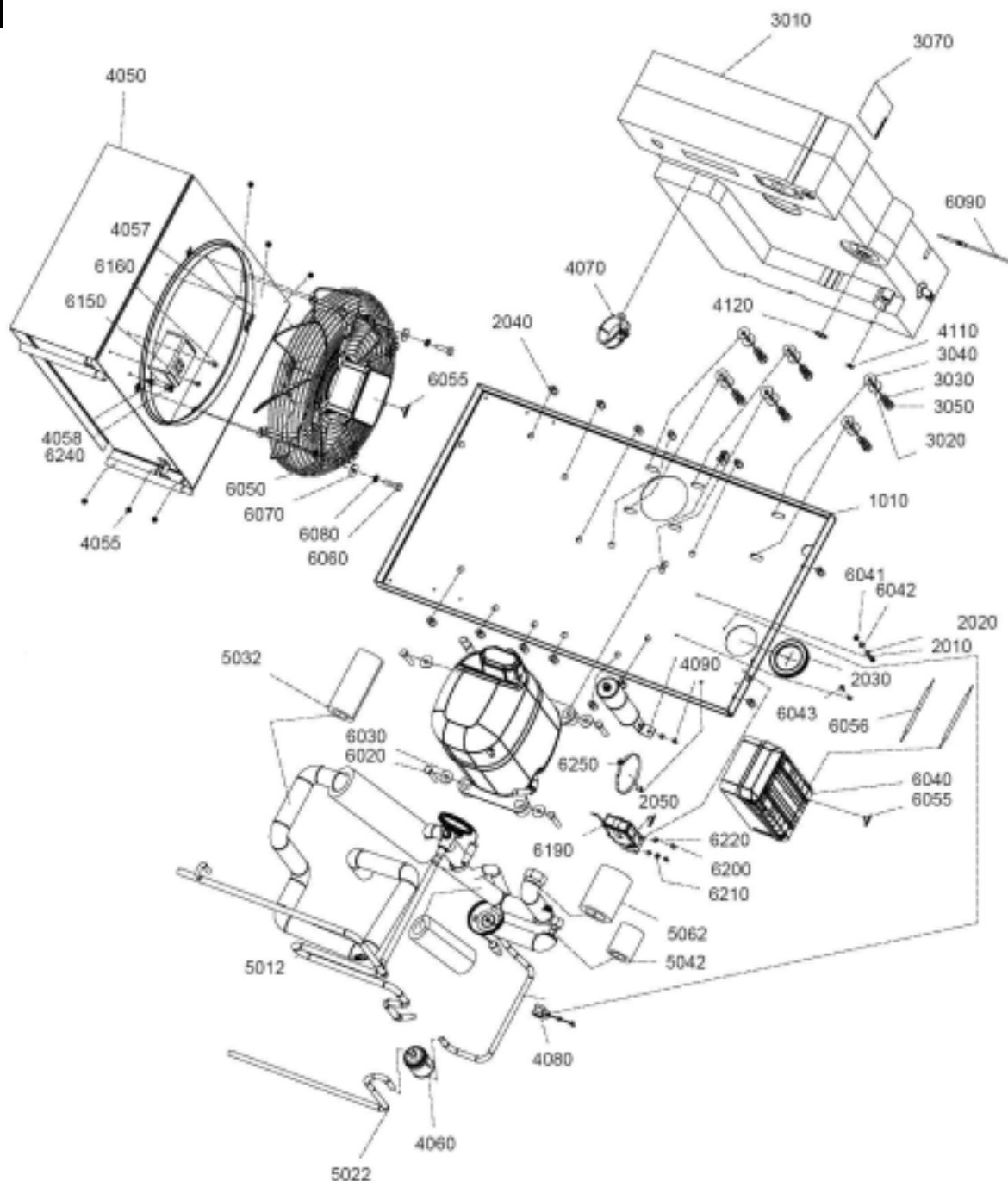
10



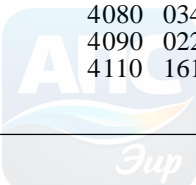
Ref.	Part number	Qty	Name	Remarks	Ref.	Part number	Qty	Name	Remarks
		1	Pipe Assy		1030	1617 0314 00	• 1	Nut	
	1624 2624 80		ID 70		1040	1617 0474 00	• 1	Sleeve	
	1624 2625 80		ID 96		1050	1619 5563 07	• 2	Schrader valve	
	1624 2623 80		ID 109		2010		1	T.E.valve	
	1624 2626 80		ID 129 220V/60Hz			1624 2297 06		ID 70	
	1624 2626 80		ID 129 230V/50Hz			1624 2297 06		ID 96	
	1624 2626 80		ID 129 400V/50Hz			1624 2297 07		ID 109	
	1624 2623 80		ID 129 460V/60Hz			1624 2297 07		ID 129	
1010	1624 2535 00	• 1	Separator		2020	2202 7466 01	1	Sleeve	
1020		• 1	Hot Gas bypass		2030	2202 7466 02	1	Nut	
	2202 7324 03		ID 70						
	2202 7324 03		ID 96						
	1617 1524 02		ID 109						
	1617 1524 02		ID 129						



11



Ref.	Part number	Qty	Name	Remarks	Ref.	Part number	Qty	Name	Remarks
1010	1624 2413 80	1	Frame		3070	1079 9903 48	6	Warning label	
2010	0147 1207 03	1	Hexagon bolt		4050	1624 2582 00	1	Condenser	
2020	0301 2318 00	1	Washer			1624 2581 00		ID 70	
2030	1088 0803 27	1	Grommet			1624 2581 00		ID 70 400V/50Hz	
2040	0298 1000 25	15	Blind rivet nut			1624 2581 00		ID 96	
2050	0348 0111 06	1	Connector			1624 2583 00		ID 109	
3010		1	He set			1624 2583 00		ID 129	
	2901 1300 15		ID 70		4055	0129 3115 00	6	Blind rivet	
	2901 1300 16		ID 96		4057	1617 2385 00	1	Rotation arrow	
	2901 1300 16		ID 109		4058	0348 0111 06	1	Connector	
	2901 1300 16		ID 129		4060	1624 2465 00	1	Filter dryer	
3020	0300 8019 00	1	Washer		4070	0346 1000 44	1	Pipe clamp	
3030	0291 1128 18	7	Lock Nut		4080	0346 1000 41	1	Pipe clamp	
3040	0300 0276 62	1	Plastic washer		4090	0226 3256 00	2	Screw	
3050	0686 9260 12	1	Plastic cap		4110	1617 0092 03	1	Ring	

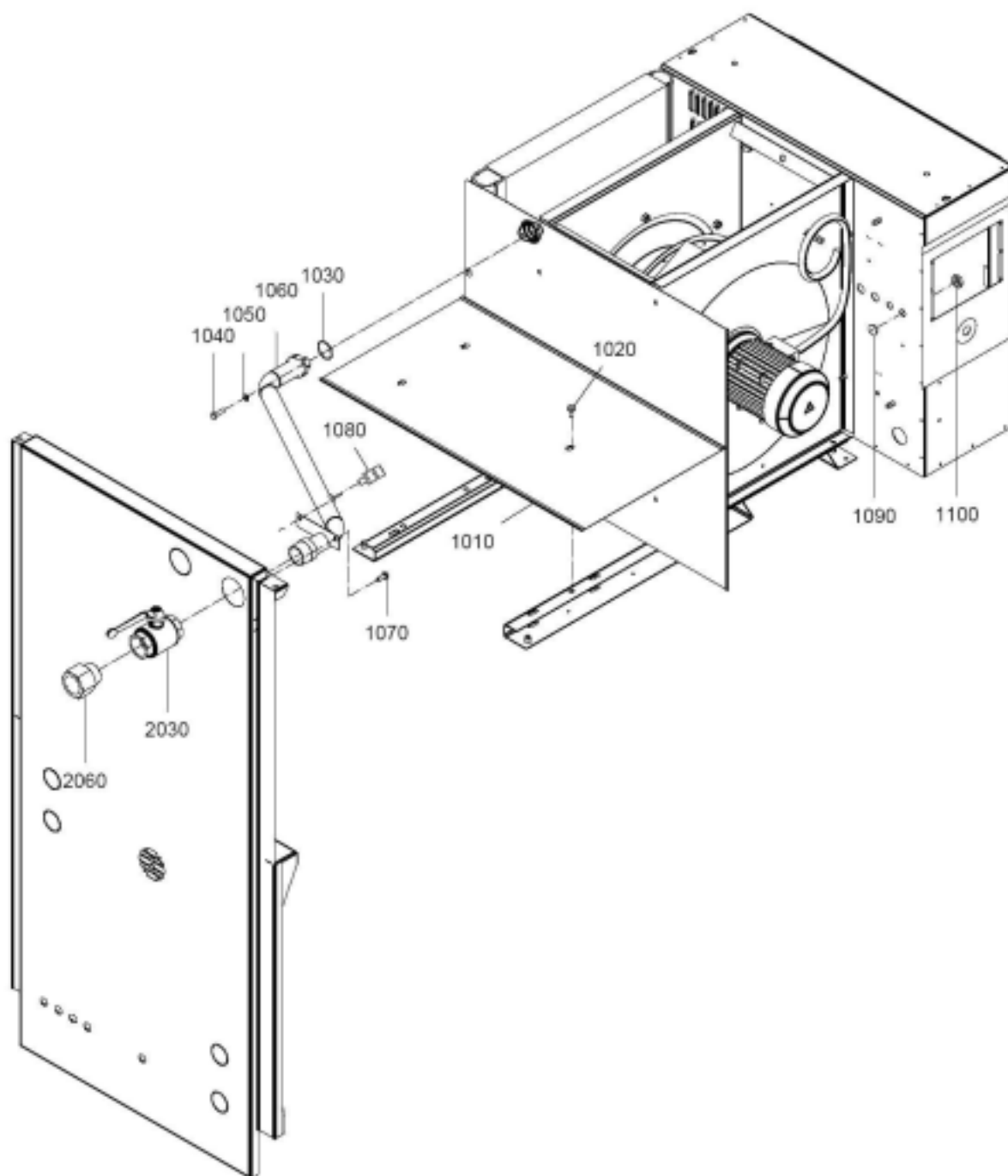


Air dryer - Electrical and mechanical parts

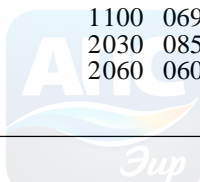
Ref.	Part number	Qty	Name	Remarks	Ref.	Part number	Qty	Name	Remarks
4120	1617 0315 00	1	Ring		6039	1624 2313 80	1	Heater	
5012		1	Pipe assy		6040		1	Wiring assy	
	1624 2624 80		ID 70			1624 2517 80		ID 70 220V/60Hz	
	1624 2625 80		ID 96			1624 2517 80		ID 70 230V/50Hz	
	1624 2623 80		ID 109			2901 1300 18		ID 70 400V/50Hz	
	1624 2623 80		ID 129 460/60Hz			2901 1300 18		ID 70 460V/60Hz	
	1624 2626 80		ID 129 220V/60Hz			1624 2517 80		ID 96 220V/60Hz	
	1624 2626 80		ID 129 230V/50Hz			1624 2517 80		ID 96 230V/50Hz	
	1624 2626 80		ID 129 400V/50Hz			2901 1300 18		ID 96 400V/50Hz	
5022	1624 2531 00	1	Pipe			2901 1300 18		ID 96 460V/60Hz	
5032	1624 2547 00	1	Insulation			1624 2517 80		ID 109 220V/60Hz	
5042	1624 2548 00	1	Insulation hose			1624 2517 80		ID 109 230V/50Hz	
5062	1624 2550 00	1	Insulation hose			2901 1300 18		ID 109 400V/50Hz	
6010		1	Refrigerant Compressor			2901 1300 18		ID 109 460V/60Hz	
	1617 1494 05		ID 70 220V/60Hz			1624 2517 80		ID 129 220V/60Hz	
	1617 1494 06		ID 70 230V/50Hz			1624 2517 80		ID 129 230V/50Hz	
	1624 2294 05		ID 70 400V/50Hz			2901 1300 19		ID 129 220V/60Hz	
	1624 2294 01		ID 70 460V/60Hz			2901 1300 17		ID 129 400V/50Hz	
	1617 1494 09		ID 96 220V/60Hz			2901 1300 18		ID 129 460V/60Hz	
	1617 1494 10		ID 96 230V/50Hz		6041	0266 2107 00	1	Nut	
	1624 2294 05		ID 96 400V/50Hz		6042	0301 2318 00	1	Washer	
	1624 2294 04		ID 96 460V/60Hz		6043	0226 3256 00	2	Screw	
	1617 1494 09		ID 109 220V/60Hz		6050		1	Fan assy	
	1617 1494 10		ID 109 230V/50Hz			1617 2770 82		ID 70 220V/60Hz	
	1624 2294 05		ID 109 400V/50Hz			1617 2770 81		ID 70 230V/50Hz	
	1624 2294 04		ID 109 460V/60Hz			1624 2390 80		ID 70 400V/50Hz	
	1624 2295 01		ID 129 220V/60Hz			1603 6270 49		ID 70 460V/60Hz	
	1624 2295 09		ID 129 230V/50Hz			1617 1987 80		ID 96 220V/60Hz	
	1624 2295 02		ID 129 400V/50Hz			1617 1987 80		ID 96 230V/50Hz	
	1624 2294 05		ID 129 460V/60Hz			1624 2390 80		ID 96 400V/50Hz	
		• 1	Overload protector			1624 2037 80		ID 96 460V/60Hz	
	1617 1550 70		1617 1494 05			1617 1987 80		ID 109 220V/60Hz	
	1617 1550 19		1617 1494 06			1617 1987 80		ID 109 230V/50Hz	
	1617 1550 20		1617 1494 09			1624 2390 80		ID 109 400V/50Hz	
	1617 1550 23		1617 1494 10			1624 2037 80		ID 109 460V/60Hz	
	1617 1550 67		1624 2294 01			1617 1987 80		ID 129 220V/60Hz	
	1617 1550 65		1624 2294 04			1617 1987 80		ID 129 230V/50Hz	
	1617 1550 64		1624 2294 05			1624 2390 80		ID 129 400V/50Hz	
		• 1	Start relay			1624 2037 80		ID 129 460V/60Hz	
	1617 1551 57		1617 1494 05		6055	1088 1001 01	3	Warning mark	
	1617 1551 17		1617 1494 06		6056		1	Wiring assy	
	1617 1551 18		1617 1494 09			1624 2518 80		ID 96 220V/60Hz	
	1617 1551 21		1617 1494 10			1624 2518 80		ID 96 230V/50Hz	
	1617 1551 17		1624 2295 09			1624 2518 80		ID 109 220V/60Hz	
		• 1	Start Capacitor			1624 2518 80		ID 109 230V/50Hz	
	1617 1549 11		1617 1494 05			1624 2518 80		ID 129 230V/50Hz	
	1617 1549 11		1617 1494 06		6060	0147 1326 03	4	Hex.bolt	
	1617 1549 10		1617 1494 09		6070	0300 8019 00	4	Washer	
	1617 1549 07		1617 1494 10		6080	0333 3127 00	4	Washer	
	1617 1549 16		1624 2295 09		6090	1617 3077 82	1	Sensor	
		• 1	Run capacitor		6150	1089 9139 04	1	Fan switch	
	1617 1874 01		1617 1494 05		6160	0226 3343 07	2	Tapping screw	
	1617 1874 01		1617 1494 06		6190	1089 9214 40	1	High Pressure switch	
	1617 1874 02		1617 1494 09		6200	0226 3256 00	2	Screw	
	1617 1874 03		1617 1494 10		6210	0333 3214 00	1	Washer	
	1617 1874 04		1624 2295 09		6220	0301 2315 00	2	Washer	
6020	0147 1329 03	4	Hex. Bolt		6240	1088 1301 01	4	Cable tie	
6030	0300 8019 00	4	Washer		6250	0348 0101 13	9	Cable tie	

12

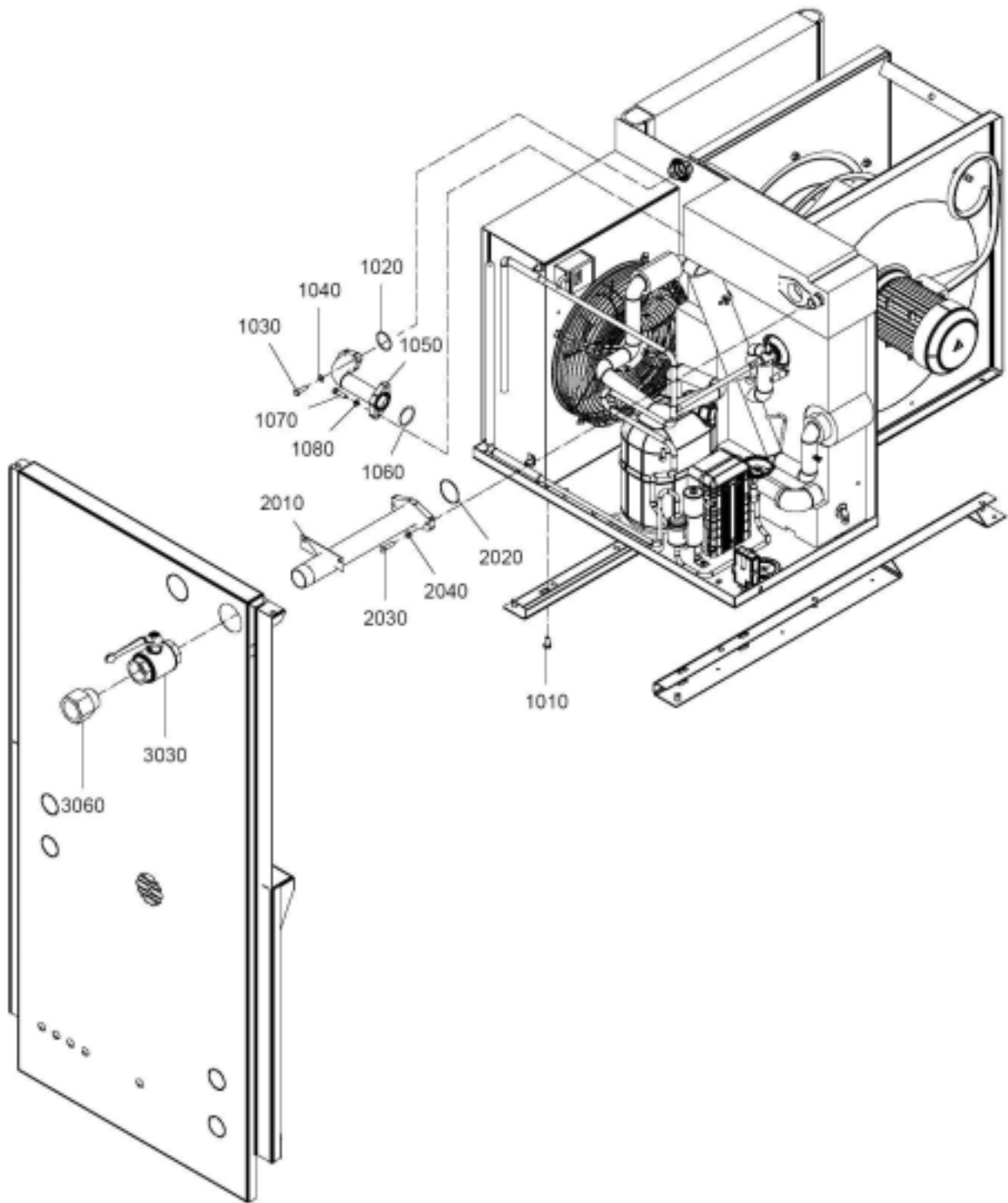
Air outlet - Aircooled - Pack



Ref.	Part number	Qty	Name	Remarks	Ref.	Part number	Qty	Name	Remarks
1010	1622 4829 00	1	Plate		1070	0147 1963 08	2	Hexagon bolt	
1020	0147 1963 08	3	Hexagon bolt		1080	1089 0575 54	1	Press.transducer	
1030	0663 3133 00	1	O-ring		1090	0697 9810 26	1	Plug	
1040	0147 1326 03	2	Hexagon bolt		1100	0697 9809 21	1	Lock	
1050	0301 2335 00	2	Washer		2030	0852 0010 19	1	Ball valve	
1060	1622 4882 00	1	Pipe		2060	0605 8350 26	1	Bushing	



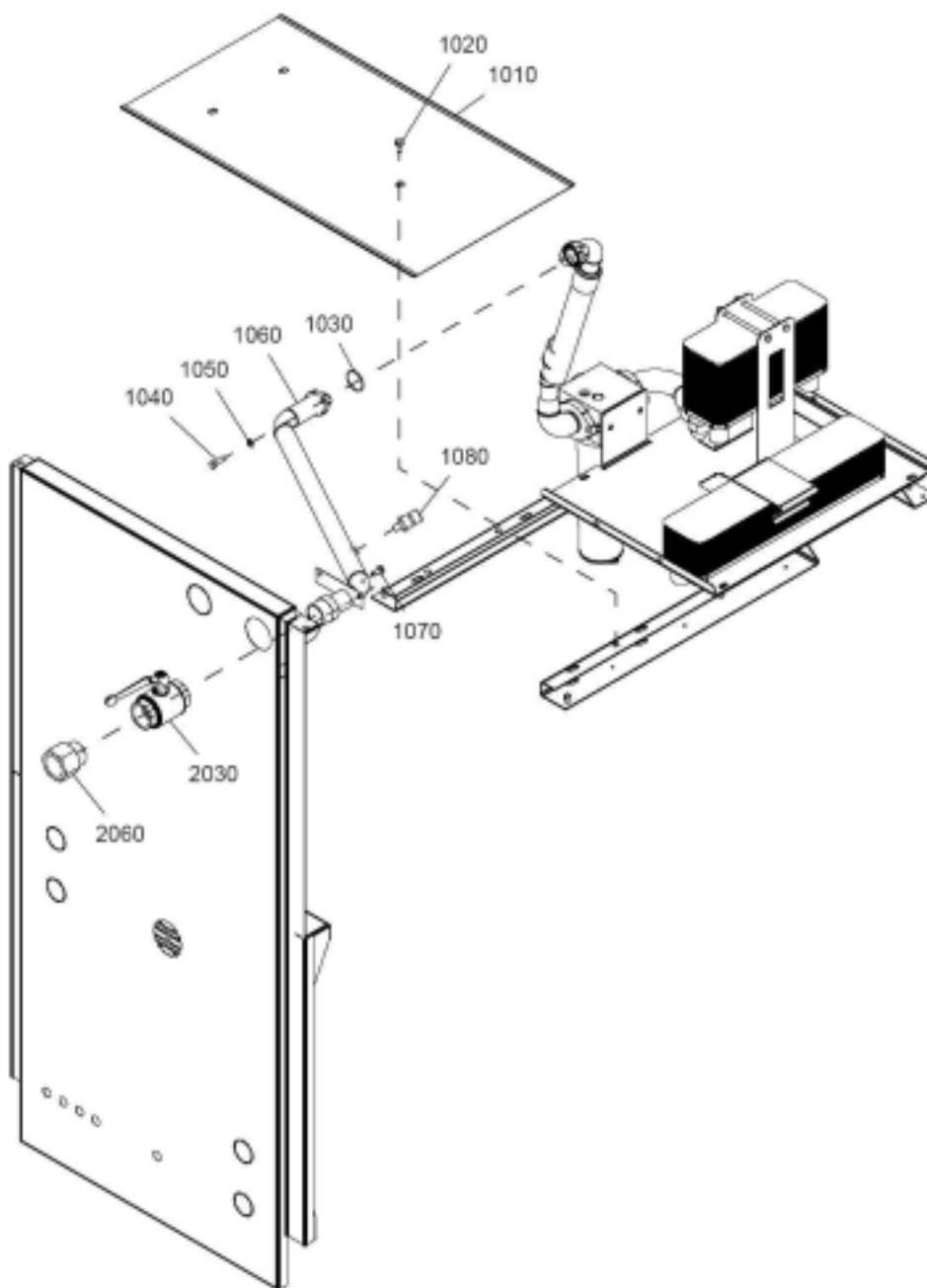
Air outlet - Aircooler - Full Feature



Ref.	Part number	Qty	Name	Remarks	Ref.	Part number	Qty	Name	Remarks
1010	0147 1332 03	4	Hexagon bolt		1080	0301 2335 00	2	Washer	
1020	0663 3133 00	1	O-ring		2010	1622 4838 00	1	Pipe	
1030	0147 1326 03	2	Hexagon bolt		2020	0663 2104 75	1	O-ring	
1040	0301 2335 00	2	Washer		2030	0147132602	2	Hexagon bolt	
1050	1622 5730 00	1	Pipe		2040	0301233500	2	Washer	
1060	0663 3133 00	1	O-ring		3030	0852001019	1	Ball valve	
1070	0147 1326 02	2	Hexagon bolt		3040	0605835026	1	Bushing	

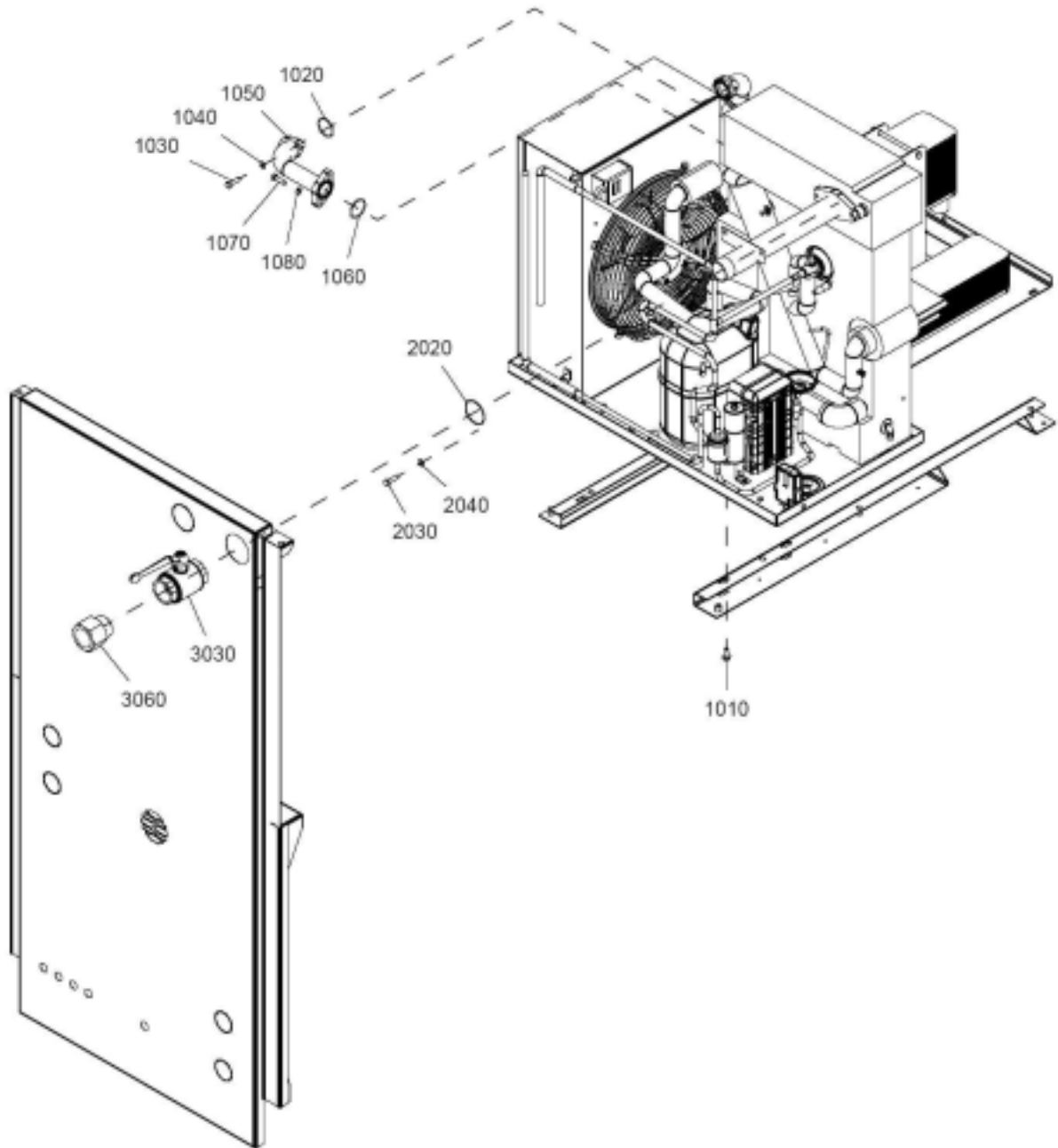
14

Air outlet - Watercooled - Pack



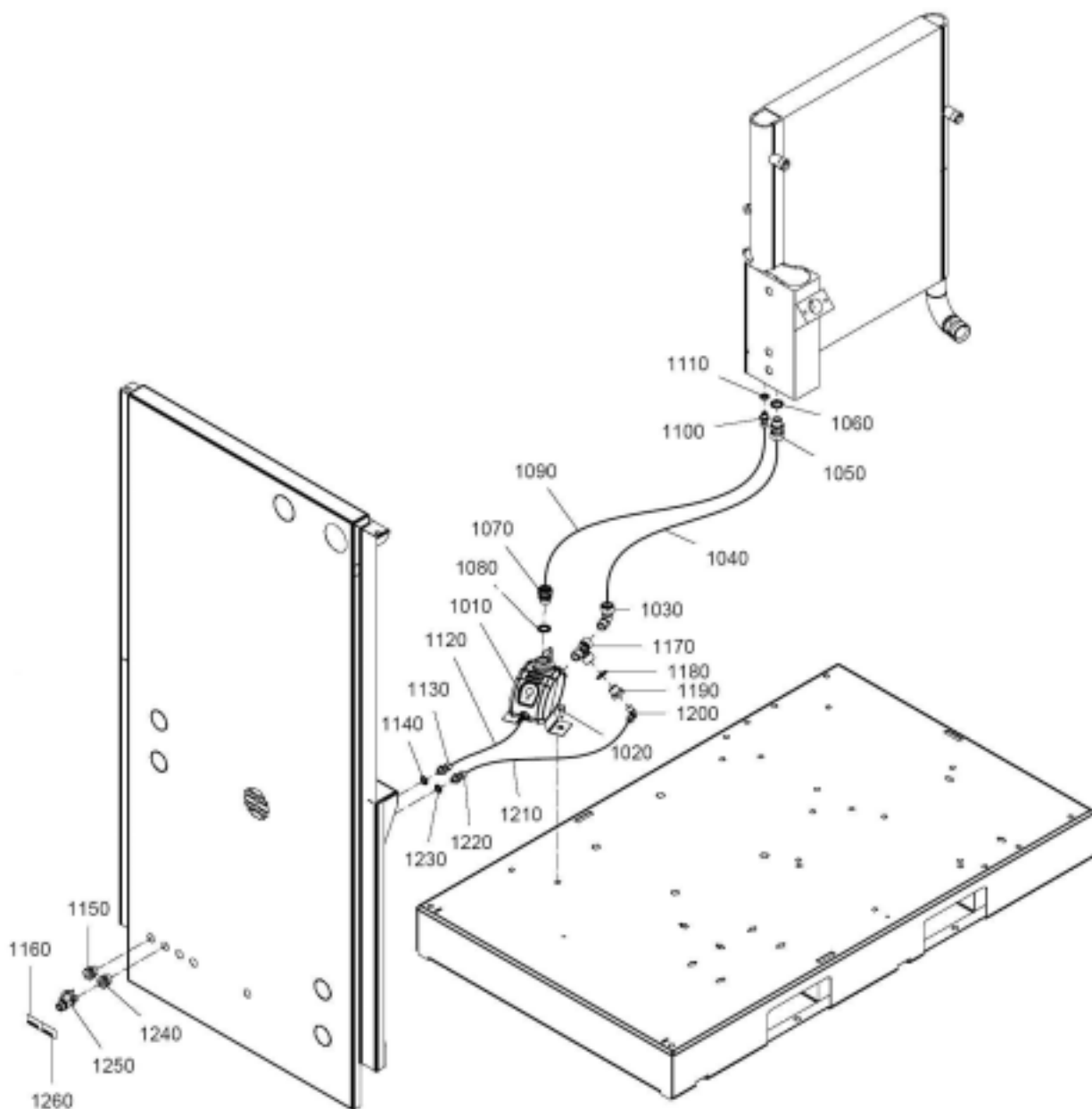
Ref.	Part number	Qty	Name	Remarks	Ref.	Part number	Qty	Name	Remarks
1010	1622 4829 00	1	Plate		1060	1622 4882 00	1	Pipe	
1020	0147 1963 08	3	Hexagon bolt		1070	0147 1963 08	2	Hexagon bolt	
1030	0663 3133 00	1	O-ring		1080	1089 0575 54	1	Press.transducer	
1040	0147 1326 03	2	Hexagon bolt		2030	0852 0010 19	1	Ball Valve	
1050	0301 2335 00	2	Washer		2060	0605 8350 26	1	Bushing	

Air outlet - Watercooled - Full Feature



Ref.	Part number	Qty	Name	Remarks	Ref.	Part number	Qty	Name	Remarks
1010	0147 1332 03	4	Hexagon bolt		1080	0301 2335 00	2	Washer	
1020	0663 3133 00	1	O-ring		2010	1622 4838 00	1	Pipe	
1030	0147 1326 03	2	Hexagon bolt		2020	0663 2104 75	1	O-ring	
1040	0301 2335 00	2	Washer		2030	0147 1326 03	2	Hexagon bolt	
1050	1622 5730 00	1	Pipe		2040	0301 2335 00	2	Washer	
1060	0663 3133 00	1	O-ring		3030	0852 0010 19	1	Ball valve	
1070	0147 1326 03	2	Hexagon bolt		3060	0605 8350 26	1	Bushing	

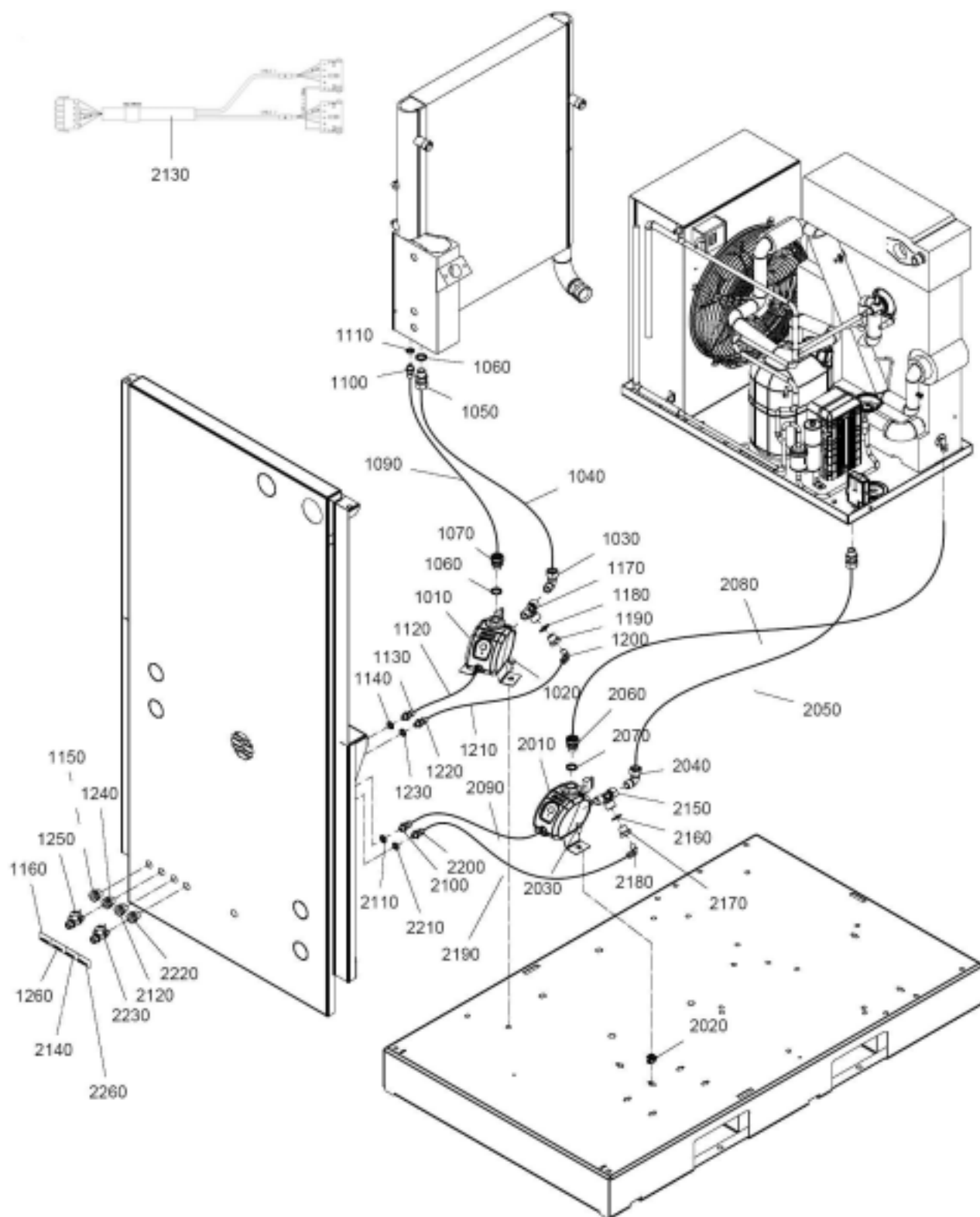
16



Drainststem - Aircooled - Pack

Ref.	Part number	Qty	Name	Remarks	Ref.	Part number	Qty	Name	Remarks
1010	1622 3798 82	1	Drain Assembly		1140	0661 1000 38	1	Seal washer	
1020	0147 1963 08	2	Hexagon bolt		1150	0581 0000 87	1	Pipe coupling	
1030	0581 1200 38	1	Pipe coupling		1160	1079 9915 89	1	Label	
1040	0070 6002 13	AR	Plastic tube		1170	1503 2566 13	1	Tee	
1050	0581 0000 71	1	Pipe coupling		1180	0661 1000 39	1	Seal washer	
1060	0661 1000 39	1	Seal washer		1190	0605 8700 90	1	Bushing	
1070	0581 0000 73	1	Pipe coupling		1200	0581 1200 23	1	Elbow coupling	
1080	0661 1000 39	1	Seal washer		1210	0070 6002 03	AR	Tube	
1090	0070 6002 03	AR	Tube		1220	0581 0000 35	1	Coupling	
1100	0581 0000 35	1	Coupling		1230	0661 1000 38	1	Seal washer	
1110	0661 1000 38	1	Seal washer		1240	0581 0000 87	1	Pipe coupling	
1120	0070 6002 03	AR	Tube		1250	0852 0010 45	1	Ball valve	
1130	0581 0000 35	1	Coupling		1260	1079 9915 98	1	Label	

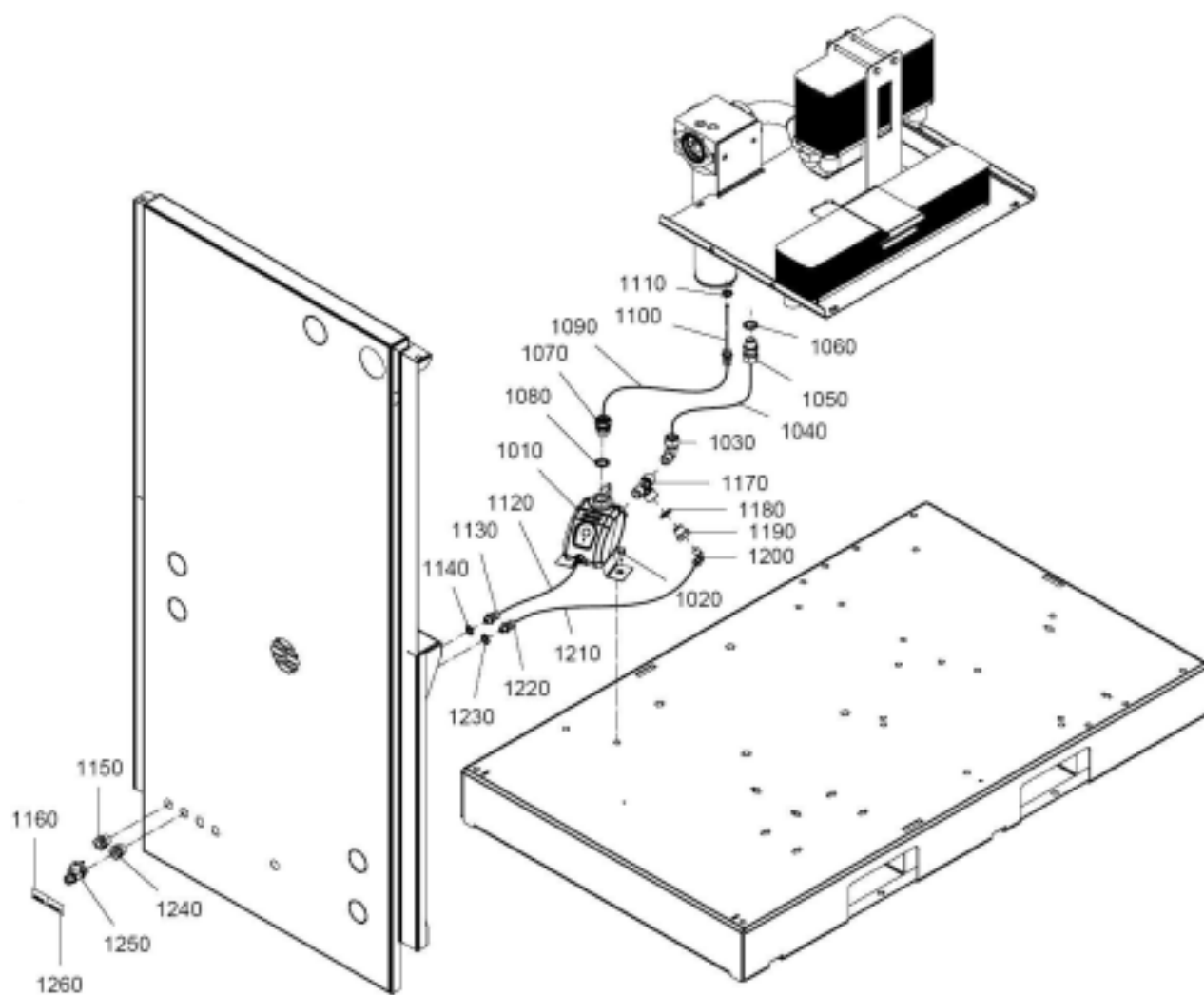
17



Drain system - Aircooled - Full Feature

Ref.	Part number	Qty	Name	Remarks	Ref.	Part number	Qty	Name	Remarks
1010	1622 3798 82	1	Drain assembly		1260	1079 9915 98	1	Label	
1020	0147 1963 08	2	Hexagon bolt		2010	1622 3798 82	1	Drain assembly	
1030	0581 1200 38	1	Pipe coupling		2020	0298 1000 43	2	Blind rivet nut	
1040	0070 6002 13	AR	Plastic tube		2030	0147 1963 08	2	Hexagon bolt	
1050	0581 0000 71	1	Pipe coupling		2040	0581 1200 38	1	Pipe coupling	
1060	0661 1000 39	1	Seal washer		2050	0070 6002 13	AR	Plastic tube	
1070	0581 0000 73	1	Pipe coupling		2060	0581 0000 73	1	Pipe coupling	
1080	0661 1000 39	1	Seal washer		2070	0661 1000 39	1	Seal washer	
1090	0070 6002 03	AR	Tube		2080	0070 6002 03	AR	Tube	
1100	0581 0000 35	1	Coupling		2090	0070 6002 03	AR	Tube	
1110	0661 1000 38	1	Seal washer		2100	0581 0000 35	1	Coupling	
1120	0070 6002 03	AR	Tube		2110	0661 1000 38	1	Seal washer	
1130	0581 0000 35	1	Coupling		2120	0581 0000 87	1	Pipe coupling	
1140	0661 1000 38	1	Seal washer		2130	1622 5559 00	1	Wiring	
1150	0581 0000 87	1	Pipe coupling		2140	1079 9915 89	1	Label	
1160	1079 9915 89	1	Label		2150	1503 2566 13	1	Tee	
1170	1503 2566 13	1	Tee		2160	0661 1000 39	1	Seal washer	
1180	0661 1000 39	1	Seal washer		2170	0605 8700 90	1	Bushing	
1190	0605 8700 90	1	Bushing		2180	0581 1200 23	1	Elbow coupling	
1200	0581 1200 23	1	Elbow coupling		2190	0070 6002 03	AR	Tube	
1210	0070 6002 03	AR	Tube		2200	0581 0000 35	1	Coupling	
1220	0581 0000 35	1	Coupling		2210	0661 1000 38	1	Seal washer	
1230	0661 1000 38	1	Seal washer		2220	0581 0000 87	1	Pipe coupling	
1240	0581 0000 87	1	Pipe coupling		2230	0852 0010 45	1	Ball valve	
1250	0852 0010 45	1	Ball valve		2260	1079 9915 98	1	Label	

18



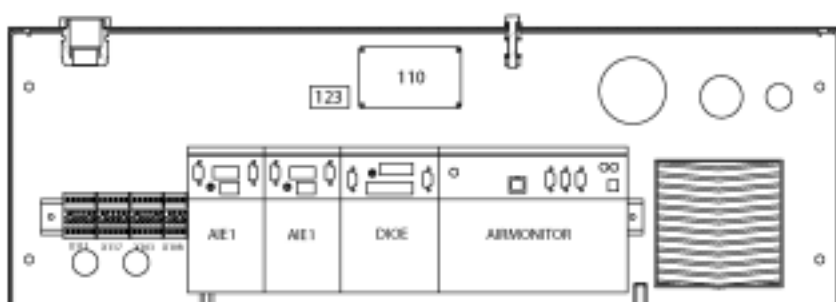
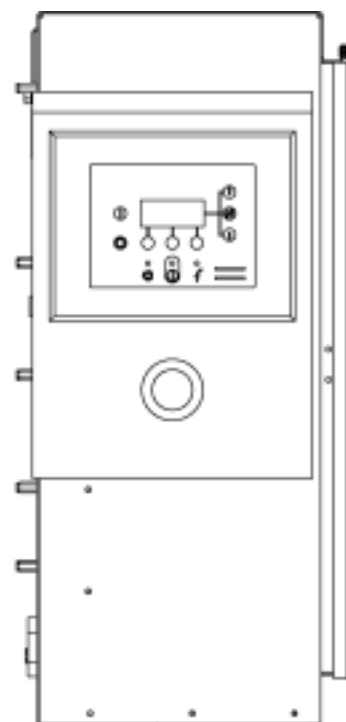
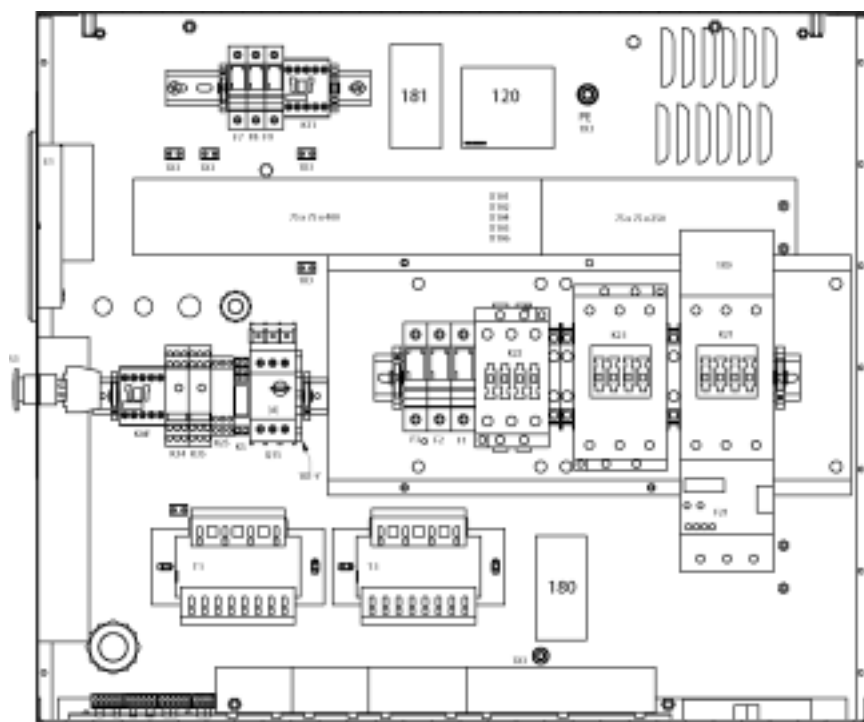
Drain system - Watercooled - Pack

Ref.	Part number	Qty	Name	Remarks	Ref.	Part number	Qty	Name	Remarks
1010	1622 3798 82	1	Drain assembly		1140	0661 1000 38	1	Seal washer	
1020	0147 1963 08	2	Hexagon bolt		1150	0581 0000 87	1	Pipe coupling	
1030	0581 1200 38	1	Pipe coupling		1160	1079 9915 89	1	Label	
1040	0070 6002 13	AR	Plastic tube		1170	1503 2566 13	1	Tee	
1050	0581 0000 71	1	Pipe coupling		1180	0661 1000 39	1	Seal washer	
1060	0661 1000 39	1	Seal washer		1190	0605 8700 90	1	Bushing	
1070	0581 0000 73	1	Coupling		1200	0581 1200 23	1	Elbow coupling	
1080	0661 1000 39	1	Seal washer		1210	0070 6002 03	AR	Tube	
1090	0070 6002 03	AR	Tube		1220	0581 0000 35	1	Coupling	
1100	1613 8084 00	1	Pipe coupling		1230	0661 1000 38	1	Seal washer	
1110	0661 1000 38	1	Seal washer		1240	0581 0000 87	1	Pipe coupling	
1120	0070 6002 03	AR	Tube		1250	0852 0010 45	1	Ball valve	
1130	0581 0000 35	1	Coupling		1260	1079 9915 98	1	Label	

Drain system - Watercooled - Full Feature

Ref.	Part number	Qty	Name	Remarks	Ref.	Part number	Qty	Name	Remarks
1010	1622 3798 82	1	Drain assembly		1260	1079 9915 98	2	Label	
1020	0147 1963 08	4	Hexagon bolt		2010	1622 3798 82	1	Drain assembly	
1030	0581 1200 38	1	Pipe coupling		2020	0298 1000 43	2	Blind rivet nut	
1040	0070 6002 13	AR	Plastic tube		2030	0147 1963 08	2	Hexagon bolt	
1050	0581 0000 71	2	Pipe coupling		2040	0581 1200 38	1	Pipe coupling	
1060	0661 1000 39	1	Seal washer		2050	0070 6002 13	AR	Plastic tube	
1070	0581 0000 73	2	Pipe coupling		2060	0581 0000 73	1	Pipe coupling	
1080	0661 1000 39	1	Seal washer		2070	0661 1000 39	1	Seal washer	
1090	0070 6002 03	AR	Tube		2080	0070 6002 03	AR	Tube	
1100	1613 8084 00	1	Pipe coupling		2090	0070 6002 03	AR	Tube	
1110	0661 1000 38	1	Seal washer		2100	0581 0000 35	1	Coupling	
1120	0070 6002 03	AR	Tube		2110	0661 1000 38	1	Seal washer	
1130	0581 0000 35	1	Coupling		2120	0581 0000 87	1	Pipe coupling	
1140	0661 1000 38	1	Seal washer		2130	1622 5559 00	1	Wiring	
1150	0581 0000 87	1	Pipe coupling		2140	1079 9915 89	1	Label	
1160	1079 9915 89	2	Label		2150	1503 2566 13	1	Tee	
1170	1503 2566 13	1	Tee		2160	0661 1000 39	1	Seal washer	
1180	0661 1000 39	1	Seal washer		2170	0605 8700 90	1	Bushing	
1190	0605 8700 90	1	Bushing		2180	0581 1200 23	1	Elbow coupling	
1200	0581 1200 23	1	Elbow coupling		2190	0070 6002 03	AR	Tube	
1210	0070 6002 03	AR	Tube		2200	0581 0000 35	1	Coupling	
1220	0581 0000 35	1	Coupling		2210	0661 1000 38	1	Seal washer	
1230	0661 1000 38	1	Seal washer		2220	0581 0000 87	1	Pipe coupling	
1240	0581 0000 87	1	Pipe coupling		2230	0852 0010 45	1	Ball valve	
1250	0852 0010 45	2	Ball valve		2260	1079 9915 98	1	Label	

20

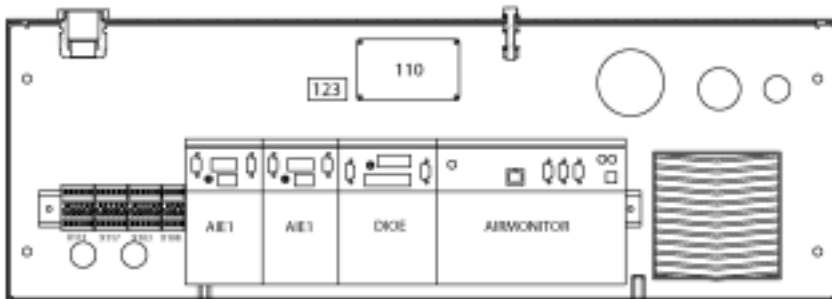
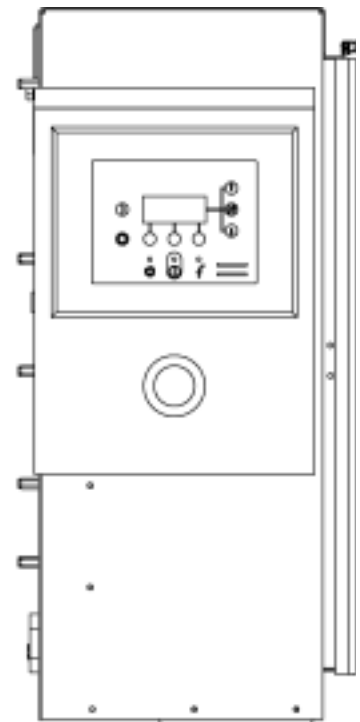
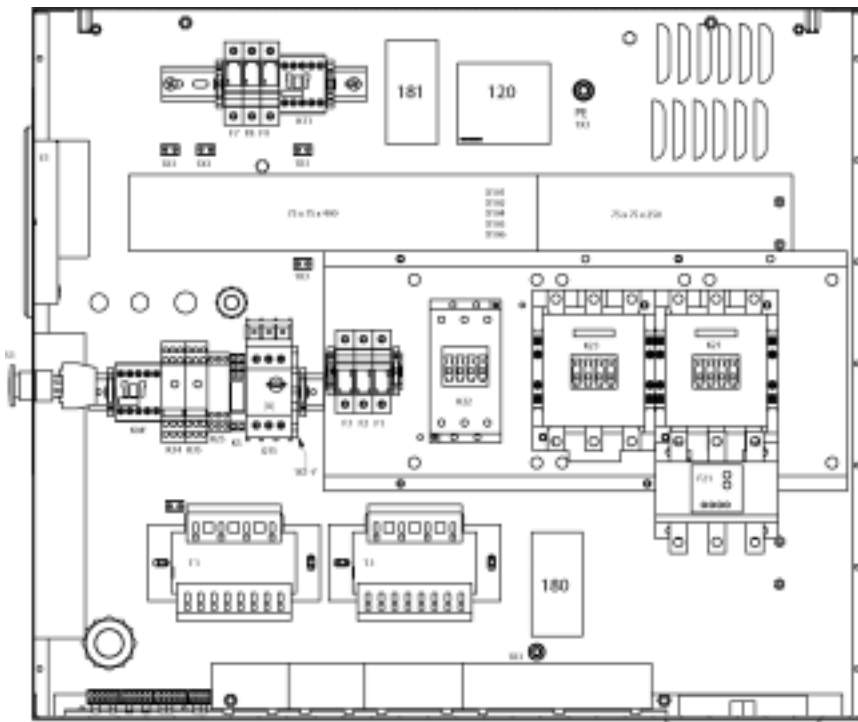


Start cubicle - CSA/UL

Ref.	Part number	Qty	Name	Remarks	Ref.	Part number	Qty	Name	Remarks
		1	Cubicle						
	1900 2081 54		GA 30+ 200-230V/60Hz		1X0:L123/K21		● 1	3ph terminal block	
	1900 2081 51		GA 30+ 460-575V/60Hz		1089 9416 93			1900 2081 51	
	1900 2081 55		GA 37 200-230V/60Hz		1089 9416 93			1900 2081 52	
	1900 2081 52		GA 37 460V/60Hz		1X0:L123/K21		● 3	Connection element	
	1900 2081 51		GA 37 575V/60Hz		1622 1692 00			1900 2081 53	
	1900 2081 55		GA 45 200-230V/60Hz		1622 3042 00			1900 2081 54	
	1900 2081 53		GA 45 460V/60Hz		1622 3042 00			1900 2081 55	
	1900 2081 52		GA 45 575V/60Hz		1X0:L123/K21		● 1	Terminal cover	
-	1089 0506 30	● 2	End bracket		1089 9362 04			1900 2081 53	
0	1089 9556 05	● 1	Air inlet		F21		● 1	Overload relay	
1X1: Y					1089 9424 39			1900 2081 51	
	1089 0506 75	● 1	Terminal		1089 9424 40			1900 2081 52	
2X10	1088 0031 49	● 1	Connector female		1089 9424 46			1900 2081 53	
2X11	1088 0031 29	● 1	Connector female		1089 9446 71			1900 2081 54	
2X9	1088 0031 13	● 1	Connector female		1089 9446 71			1900 2081 55	
F1-F2	1089 0612 01	● 2	Fuse holder		K21		● 1	Contact block	
F1-F2	1089 9168 26	● 2	Fuse link		1089 9415 55			1900 2081 51	
Fan	0697 9809 21	● 1	Nut		1089 9415 55			1900 2081 52	
Fan	0698 5140 72	● 1	Cable gland		1089 9415 55			1900 2081 53	
K22	0694 5285 25	● 3	Cable lug		K21-F21		● 1	Terminal cover	
K22	1089 9415 09	● 1	Contact block		1089 9362 21			1900 2081 54	
K5	1089 9511 12	● 1	Socket		1089 9362 21			1900 2081 55	
K5	1089 9511 13	● 1	Clip		K21-K23		● 2	Contact block	
K5	1089 9511 51	● 1	Relay		1089 9415 35			1900 2081 51	
L=275mm					1089 9415 36			1900 2081 52	
	1088 0851 19	● 1	Raceway		1089 9415 44			1900 2081 53	
Q15	1089 9416 01	● 1	Contact block		1089 9415 61			1900 2081 54	
Q15	1089 9416 75	● 1	Connection block		1089 9415 61			1900 2081 55	
S3	1089 0362 50	● 2	Contact block		K21-K23-F21		● 4	Terminal cover	
S3	1089 0362 51	● 1	Emergency stop button		1089 9362 11			1900 2081 54	
WH	0697 9809 24	● 1	Nut		1089 9362 11			1900 2081 55	
X101	1088 0015 02	● 1	Connector male		K22		● 1	Contact block	
X101	1088 0015 36	● 2	Connector socket		1089 9415 34			1900 2081 51	
X102	1089 0700 01	● 1	Connector female		1089 9415 34			1900 2081 52	
X102	1089 0700 02	● 1	Connector male		1089 9415 34			1900 2081 53	
X102	1089 0700 03	● 8	Connector pin		1089 9415 44			1900 2081 54	
X102	1089 0700 04	● 8	Connector socket		1089 9415 44			1900 2081 55	
X103	1088 0031 84	● 1	Connector male		K23		● 1	Contact block	
X103	1088 0037 04	● 1	Connector female		1089 9415 56			1900 2081 51	
X103-X108					1089 9415 56			1900 2081 52	
	1088 0031 18	● 4	Adaptor		1089 9415 56			1900 2081 53	
X104	1088 0037 31	● 1	Connector female		Q15		● 1	Circuit breaker	
X105-1X5					1089 9416 61			1900 2081 51	
	1088 0037 30	● 2	Connector female		1089 9416 62			1900 2081 52	
X106	1088 0031 82	● 1	Connector male		1089 9416 63			1900 2081 53	
X106-X107					1089 9416 64			1900 2081 54	
	1088 0031 22	● 2	Connector female		1089 9416 66			1900 2081 55	
X108	1088 0031 86	● 1	Connector male		1X0/K21		● 3	Cable lug	
X108	1088 0037 06	● 1	Connector female		0694 5281 34			1900 2081 53	
X109	1088 0037 33	● 1	Connector female		T1		● 1	Transformer	
100	9820 3545 02	● 1	Label		1089 9436 44			1900 2081 51	
WH	1622 3124 30	● 1	Wire harness		1089 9436 44			1900 2081 52	
MSA	1622 3871 80	● 1	Cubicle		1089 9436 45			1900 2081 53	
01		● 1	Plate		1089 9436 45			1900 2081 54	
	1622 3399 01		1900 2081 54		1089 9436 45			1900 2081 55	
	1622 3399 01		1900 2081 55						



21



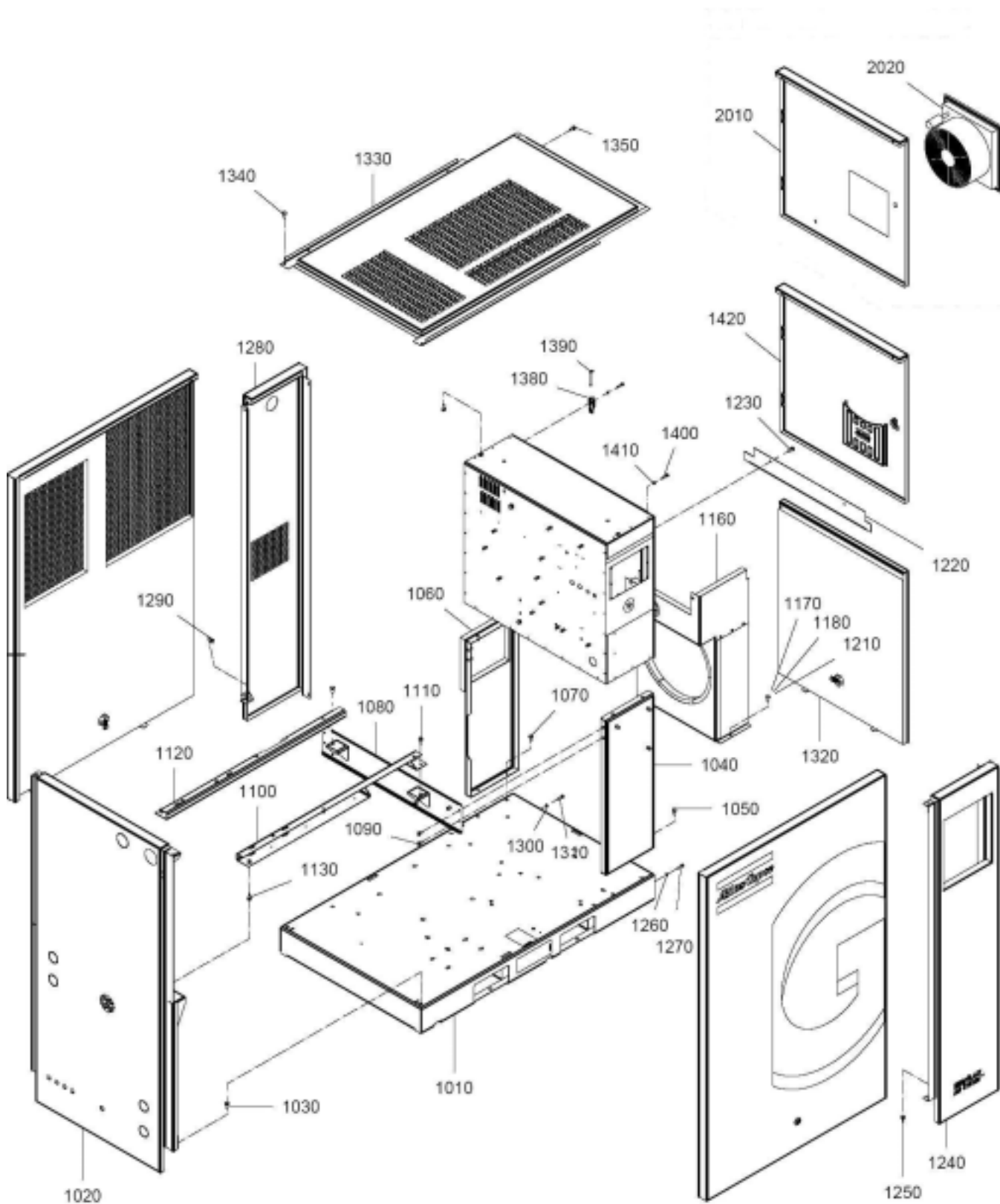
Ref.	Part number	Qty	Name	Remarks	Ref.	Part number	Qty	Name	Remarks
		1	Cubicle						
	1900 2081 05		GA 30+ 200-230V/50-60Hz		1X1: Y	1089 0506 75	• 1	Terminal	
	1900 2081 08		GA 30+ 380V/50-60Hz		2X10	1088 0031 49	• 1	Connector female	
	1900 2081 01		GA 30+ 400V/50Hz		2X11	1088 0031 29	• 1	Connector female	
	1900 2081 04		GA 30+ 460-500V/50-60Hz		2X9	1088 0031 13	• 1	Connector female	
	1900 2081 07		GA 37 200-230V/50-60Hz		F1-F2	1089 0612 01	• 2	Fuse holder	
	1900 2081 06		GA 37 380V/50-60Hz		F1-F2	1089 0612 24	• 2	Fuse	
	1900 2081 02		GA 37 400V/50Hz		fan	0697 9809 21	• 1	Nut	
	1900 2081 08		GA 37 460-500V/50-60Hz		fane	0698 5140 72	• 1	Cable gland	
	1900 2081 09		GA 45 200-230V/50-60Hz		K22	0694 5285 25	• 3	Cable lug	
	1900 2081 06		GA 45 380-500V/50-60Hz		K22	1089 9415 09	• 1	Contact block	
	1900 2081 03		GA 45 400V/50Hz		K5	1089 9511 12	• 1	Socket	
-	1089 0506 30	• 2	End bracket		K5	1089 9511 13	• 1	Clip	
0	1089 9556 05	• 1	Air inlet		K5	1089 9511 51	• 1	Relay	

Start cubicle - IEC

Ref.	Part number	Qty	Name	Remarks	Ref.	Part number	Qty	Name	Remarks
L=275mm						1089 9415 55		1900 2081 06	
	1088 0851 19	• 1	Raceway			1089 9415 55		1900 2081 07	
Q15	1089 9416 01	• 1	Contact block			1089 9415 55		1900 2081 08	
S3	1089 0362 50	• 2	Contact block		K21-F21	• 1	Terminal cover		
S3	1089 0362 51	• 1	Emergency stop button			1089 9362 21		1900 2081 09	
WH	0697 9809 24	• 1	Nut		K21-K23	• 2	Contactor		
X101	1088 0015 02	• 1	Connector male			1089 9415 35		1900 2081 01	
X101	1088 0015 36	• 2	Connector socket			1089 9415 36		1900 2081 02	
X102	1089 0700 01	• 1	Connector female			1089 9415 44		1900 2081 03	
X102	1089 0700 02	• 1	Connector male			1089 9415 35		1900 2081 04	
X102	1089 0700 03	• 8	Connector pin			1089 9415 45		1900 2081 05	
X102	1089 0700 04	• 8	Connector socket			1089 9415 44		1900 2081 06	
X103	1088 0031 84	• 1	Connector male			1089 9415 45		1900 2081 07	
X103	1088 0037 04	• 1	Connector female			1089 9415 36		1900 2081 08	
X103-X108						1089 9415 61		1900 2081 09	
	1088 0031 18	• 4	Adaptor		K21-K23-F21	• 4	Terminal cover		
X104	1088 0037 31	• 1	Connector female			1089 9362 11		1900 2081 09	
X105-1X5					K22	• 1	Contactor		
	1088 0037 30	• 2	Connector female			1089 9415 26		1900 2081 01	
X106	1088 0031 82	• 1	Connector male			1089 9415 34		1900 2081 02	
X106-X107						1089 9415 34		1900 2081 03	
	1088 0031 22	• 2	Connector female			1089 9415 34		1900 2081 04	
X108	1088 0031 86	• 1	Connector male			1089 9415 36		1900 2081 05	
X108	1088 0037 06	• 1	Connector female			1089 9415 35		1900 2081 06	
X109	1088 0037 33	• 1	Connector female			1089 9415 44		1900 2081 07	
100	9820 3545 02	• 1	Label			1089 9415 34		1900 2081 08	
MSA	1622 3871 80	• 1	Cubicle			1089 9415 45		1900 2081 09	
WH	1622 3124 30	• 1	Wire harness		K23	• 1	Contact block		
01		• 1	Plate			1089 9415 56		1900 2081 01	
	1622 3399 01		1900 2081 09			1089 9415 56		1900 2081 02	
1X0:L123/K21	• 1	3ph terminal block				1089 9415 56		1900 2081 03	
	1089 9416 93		1900 2081 01			1089 9415 56		1900 2081 04	
	1089 9416 93		1900 2081 02			1089 9415 56		1900 2081 05	
	1089 9416 93		1900 2081 04			1089 9415 56		1900 2081 06	
	1089 9416 93		1900 2081 08			1089 9415 56		1900 2081 07	
1X0:L123/K21	•	Connection element				1089 9415 56		1900 2081 08	
	1622 1692 00	3	1900 2081 03		Q15	• 1	Circuit breaker		
	1622 1692 00	3	1900 2081 05			1089 9416 21		1900 2081 01	
	1622 1692 00	3	1900 2081 06			1089 9416 23		1900 2081 02	
	1622 1692 00	3	1900 2081 07			1089 9416 23		1900 2081 03	
	1622 3042 00	6	1900 2081 09			1089 9416 21		1900 2081 04	
1X0:L123/K21	• 1	Terminal cover				1089 9416 24		1900 2081 05	
	1089 9362 04		1900 2081 03			1089 9416 23		1900 2081 06	
	1089 9362 04		1900 2081 05			1089 9416 26		1900 2081 07	
	1089 9362 04		1900 2081 06			1089 9416 23		1900 2081 08	
	1089 9362 04		1900 2081 07			1089 9416 26		1900 2081 09	
F21	• 1	Overload relay			1X0/K21	• 3	Cable lug		
	1089 9424 40		1900 2081 01			0694 5281 34		1900 2081 03	
	1089 9424 41		1900 2081 02			0694 5281 34		1900 2081 05	
	1089 9424 46		1900 2081 03			0694 5281 34		1900 2081 06	
	1089 9424 39		1900 2081 04			0694 5281 34		1900 2081 07	
	1089 9424 47		1900 2081 05		T1	• 1	Transformer		
	1089 9424 46		1900 2081 06			1089 9436 39		1900 2081 01	
	1089 9424 49		1900 2081 07			1089 9436 39		1900 2081 02	
	1089 9424 40		1900 2081 08			1089 9436 40		1900 2081 03	
	1089 9446 71		1900 2081 09			1089 9436 44		1900 2081 04	
K21	• 1	Contact block				1089 9436 45		1900 2081 05	
	1089 9415 55		1900 2081 01			1089 9436 45		1900 2081 06	
	1089 9415 55		1900 2081 02			1089 9436 45		1900 2081 07	
	1089 9415 55		1900 2081 03			1089 9436 44		1900 2081 08	
	1089 9415 55		1900 2081 04			1089 9436 45		1900 2081 09	
	1089 9415 55		1900 2081 05						



22



Bodywork

Ref.	Part number	Qty	Name	Remarks	Ref.	Part number	Qty	Name	Remarks
1010	1622 3844 00	1	Frame		1250	0147 1963 08	2	Hexagon bolt	
1020	1622 3864 80	1	Left panel		1260	0301 2321 00	2	Washer	
1030	0147 1963 08	2	Hexagon bolt		1270	0211 1249 03	2	Cap screw	
1040	1622 4890 00	1	Support		1280	1622 3873 00	1	Panel ass'y	
1050	0147 1963 08	2	Hexagon bolt		1290	0147 1963 08	2	Hexagon bolt	
1060	1622 3876 80	1	Support		1300	0301 2321 00	2	Washer	
1070	0147 1963 08	2	Hexagon bolt		1310	0211 1249 03	2	Cap screw	
1080	1622 4870 00	1	Support		1320	1622 5735 80	1	Panel	
1090	0147 1963 08	4	Hexagon bolt		1330	1622 5704 80	1	Roof	
1100	1622 5724 00	1	Beam		1340	0147 1963 08	2	Hexagon bolt	
1110	0147 1963 08	2	Hexagon bolt		1350	0147 1963 08	2	Hexagon bolt	
1120	1622 5703 00	1	Beam		1360	1622 3848 80	1	Front panel	
1130	0147 1963 08	2	Hexagon bolt		1370	1622 3847 80	1	Back panel	
1160	1622 6412 80	1	Motor baffle		1380	1621 0606 00	2	Hinge	
1170	0147 1963 08	3	Hexagon bolt		1390	1621 0607 00	2	Pin	
1180	0147 1963 08	1	Hexagon bolt		1400	0211 1249 03	4	Cap screw	
1210	0147 1963 08	1	Hexagon bolt		1410	0301 2321 00	4	Washer	
1220	1622 5736 00	1	Support		1420	1622 5734 80	1	Cubicle Door	
1230	0147 1963 08	2	Hexagon bolt		2010	1622 6467 80	1	Door	
1240	1622 3870 80	1	Panel ass'y		2020	1089 9556 25	1	Fan	

Ref.	Part number	Qty	Name	Remarks	Ref.	Part number	Qty	Name	Remarks
	2901 1453 00	1	Minimum pressure valve kit			2901 1619 00	1	Motor Overhaul	
	0663 7139 00 ●	1	O-ring			0335 2173 00 ●	1	Circlip	
	1613 3223 01 ●	1	Washer			0508 1100 97 ●	1	Roller bearing	
	1622 3662 00 ●	1	Spring			1622 4628 00 ●	1	Seal	
	0663 2101 01 ●	1	O-ring			1622 3106 00 ●	1	Bushing	
	1622 3664 00 ●	1	Spring			1622 3740 00 ●	1	Drain nipple	
	0335 3111 00 ●	1	Retaining ring			0663 2107 89 ●	1	O-ring	
	0663 3120 00 ●	1	O-ring			0502 1092 56 ●	1	Bearing	
	9820 9551 00 ●	1	Instruction			9820 9597 00 ●	1	Motorbearing & Shaftseal kit	
	2901 1645 00	1	Scavenge line kit			2901 0149 00	1	Litnedfd120-210	
	2901 1616 00	1	Thermostatic valve Kit 40°C			2901 1622 00	1	Unloader Kit	
	1622 7064 01 ●	1	Thermostatic valve 38°C			1613 6818 01 ●	1	Valve	
	0663 2101 95 ●	1	O-ring			1622 3173 00 ●	1	Tape	
	9820 9573 00 ●	1	Thermostat Kit 40°C			1622 3170 00 ●	1	Bushing	
	2901 1617 00	1	Thermostatic valve Kit 60°C			1622 3168 00 ●	1	Ring	
	1622 7064 04 ●	1	Thermostatic valve 60°C			0663 7149 00 ●	1	O-ring	
	0663 2101 95 ●	1	O-ring			0160 0996 86 ●	2	Cross rec screw	
	9820 9574 00 ●	1	Thermostat Kit 60°C			0301 2318 00 ●	2	Washer	
	2901 1618 00	1	Tropical thermostat Kit 75°C			1622 3694 80 ●	1	Assembly	
	1622 7064 05 ●	1	Thermostatic Valve 71°C			1622 3694 00 ●●	1	Housing	
	0663 2101 95 ●	1	O-ring			1622 3694 01 ●●	1	Cover	
	9820 9575 00 ●	1	Thermostat Kit 75°C			1622 3694 02 ●●	1	Piston	
	2901 0217 02	1	Oil Stop/check valve Kit			1513 0477 00 ●●	1	Piston ring	
	1622 9639 00 ●	1	Check valve			1622 3694 03 ●●	1	Seal	
	1622 0796 00 ●	1	Spring			1622 3694 04 ●●	1	Seal	
	1622 4664 01 ●	1	Gasket			1622 3694 05 ●●	1	Rivet	
	0661 1000 44 ●	1	Seal washer			1622 3694 06 ●●	2	Insert	
	0661 1000 39 ●	1	Seal washer			1622 3694 07 ●●	1	Glide seal	
	0663 3125 00 ●	1	O-ring			0226 3300 18 ●●	4	Bolt	
	0686 3718 15 ●	1	Plug			0663 2112 69 ●●	1	O-ring	
	1613 8907 00 ●	1	Valve Body			0663 2111 55 ●	1	O-ring	
	1613 2357 00 ●	1	Compr. spring			1622 3182 00 ●	1	Guide	
	0663 3130 00 ●	1	O-ring			1622 3183 00 ●	1	Seal	
	9820 9424 00 ●	1	Instruct Drwg			1622 3184 00 ●	1	Bushing	
	2901 0148 00	1	Litdeufd120-210			1622 3185 00 ●	1	Spring	
						0661 1000 40 ●	1	Seal washer	
						0663 7150 00 ●	1	O-ring	
						0211 1957 64 ●	2	Hex socket screw	
						9820 4384 00 ●	1	Instruct Drwg	
						2901 1465 00	1	Electronic Drain Kit	
						1622 3798 81 ●	1	Drain Assembly	
						9820 9583 00 ●	1	Manual Electronic Drain	

Service Kits

Ref.	Part number	Qty	Name	Remarks	Ref.	Part number	Qty	Name	Remarks
	2901 0219 00	1	WSD Kit			2901 0750 00	1	Drain Kit WSD 80	
	2901 0750 00	•	1 Drain Kit			0663 2111 80	•	1 O-ring	
	0663 2111 80	••	1 O-ring			1613 9378 92	•	1 Assy dwg drain	
	1613 9378 92	••	1 Assy dwg drain			1613 9380 00	••	1 Cover	
	1613 9380 00	•••	1 Cover			1613 9379 00	••	1 Housing	
	1613 9379 00	•••	1 Housing			1613 9378 00	••	1 Drain	
	1613 9378 00	•••	1 Drain			0663 9287 00	••	1 O-ring	
	0663 9287 00	•••	1 O-ring			1613 9397 01	••	1 Insert	
	1613 9397 01	•••	1 Insert			1613 9398 00	••	1 Valve disc	
	1613 9398 00	•••	1 Valve disc			1613 9385 80	••	1 Float assy	
	1613 9385 80	•••	1 Float assy			1613 9385 00	•••	1 Float half	
	1613 9385 00	••••	1 Float Half			1613 9386 00	•••	1 Support	
	1613 9386 00	••••	1 Support			0663 2133 00	••	2 O-ring 39,2x3	
	0663 2133 00	•••	2 O-ring 39,2x3			0663 2111 27	••	1 O-ring 31.5x3	
	0663 2111 27	•••	1 O-ring 31.5x3			1613 9381 00	••	1 Nut	
	1613 9381 00	•••	1 Nut			1613 9393 00	••	1 Connection	
	1613 9393 00	•••	1 Connection			2904 0158 00	•	1 Instruction	
	2904 0158 00	••	1 Instruction			1613 9378 92	••	1 Assy dwg drain	
	1613 9378 92	•••	1 Assy dwg drain			1613 9380 00	•••	1 Cover	
	1613 9380 00	••••	1 Cover			1613 9379 00	•••	1 Housing	
	1613 9379 00	••••	1 Housing			1613 9378 00	•••	1 Drain	
	1613 9378 00	••••	1 Drain			0663 9287 00	•••	1 O-ring	
	0663 9287 00	••••	1 O-ring			1613 9397 01	•••	1 Insert	
	1613 9397 01	••••	1 Insert			1613 9398 00	•••	1 Valve disc	
	1613 9398 00	••••	1 Valve disc			1613 9385 80	•••	1 Float assy	
	1613 9385 80	••••	1 Float Assy			1613 9385 00	••••	1 Float half	
	1613 9385 00	•••••	1 Float Half			1613 9386 00	••••	1 Support	
	1613 9386 00	•••••	1 Support			0663 2133 00	•••	2 O-ring 39,2x3	
	0663 2133 00	••••	2 O-ring 39,2x3			0663 2111 27	•••	1 O-ring 31.5x3	
	0663 2111 27	••••	1 O-ring 31.5x3			1613 9381 00	•••	1 Nut	
	1613 9381 00	••••	1 Nut			1613 9393 00	•••	1 Connection	
	1613 9393 00	••••	1 Connection			0663 2111 80	••	1 O-ring	
	0663 2111 80	•••	1 O-ring			2901 1641 00	1	Air/ Oil Filter kit	
	0661 1000 42	•	1 Seal washer			2901 1642 00	1	Air/ Oil Long life Filter Kit	
	0663 7136 00	•	3 O-ring			2901 1643 00	1	Oil separator kit	
	0661 1000 38	•	2 Seal washer			2901 1648 00	1	Preventive maintenance kit - Aircooled	
	0301 2344 00	•	4 Washer			2901 1649 00	1	Preventive maintenance kit Watercooled	
	2904 0035 01	•	1 Moisture Trap Kit						





+7(916) 033-41-41



apsair@apsair.ru

apsair.ru