

Atlas Copco Stationary Air Compressors

GA 37 VSD, GA 45 VSD, GA 55 VSD Aircooled
GA 37 VSD, GA 45 VSD, GA 55 VSD Watercooled

Parts list

From following serial No. onwards :
API - 572 446

No. 2930 7001 00

Registration code : APC GA 37-55 VSD / 39

2006-04



<https://apsair.ru>

Atlas Copco

Contents
Inhoud
Innehåll
Inhaltsverzeichnis
Table des matières
Indice

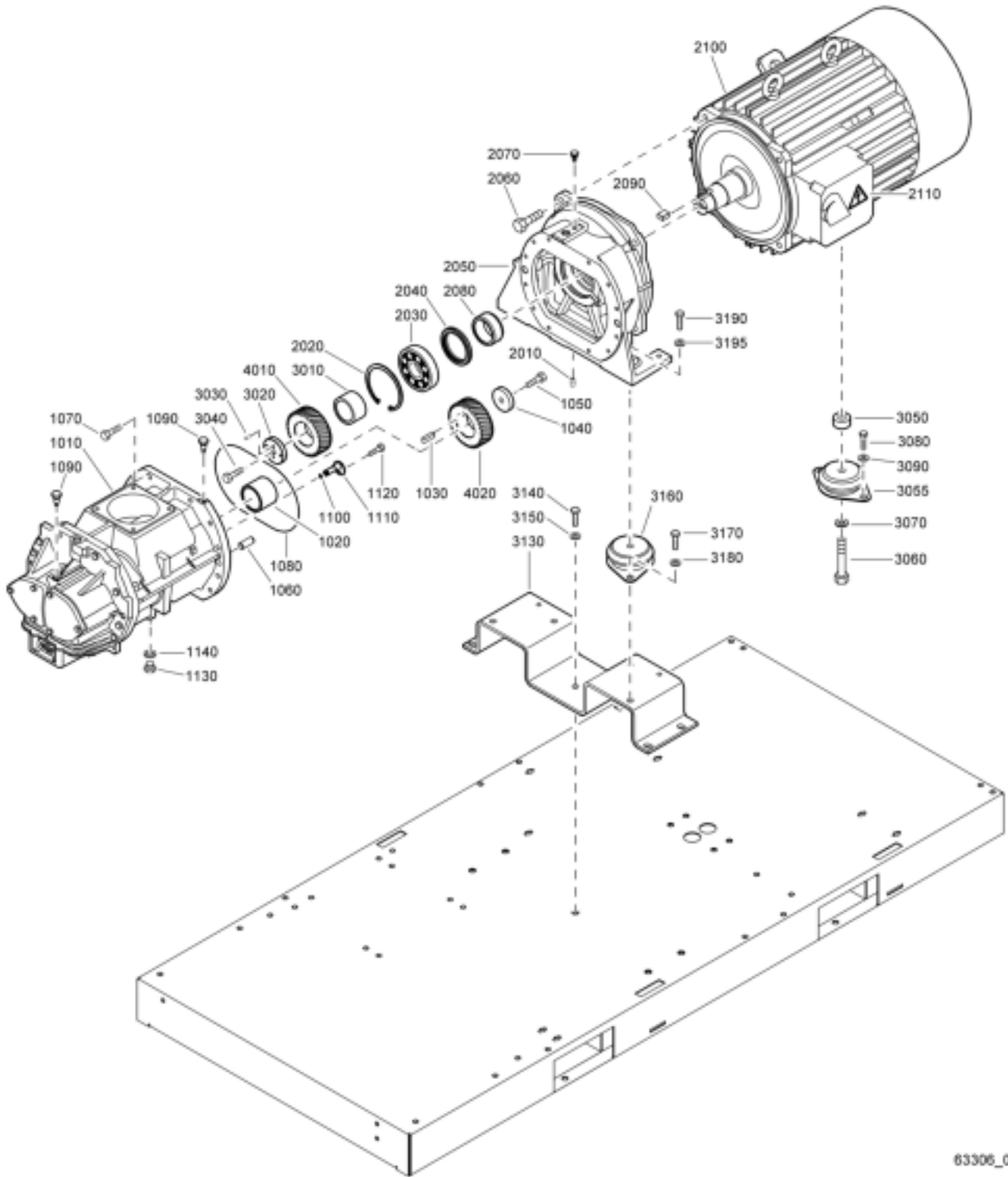
Indice
Innehållsförteckning
Indice
Innehållsförteckning
Sisällysluettelo

Compressor element and drive gear Compressorelement en aandrijving Kompressorelement och drivning Kompressorelement und Antrieb Élément compresseur et entraînement Elemento compresor y accionamiento Elemento compressore e ingranaggi di azionamento Kompressorelement og drivhjul Elemento compresor e accionamento Kompressorelement og drivgir Kompressorielementit ja voimansiirto	1	Air flow and cooling system Luchtstroming en koelsysteem Luftflöde och kylsystem Luftstrom und Kühlsystem Flux d'air et circuit de refroidissement Flujo de aire y sistema de refrigeración Flusso d'aria e sistema di raffreddamento Luftflow og kølesystem Fluxo de ar e sistema de arrefecimento Luftstrøm og kjølesystem Ilman virtaus ja jäähdytysjärjestelmä	
Air inlet Luchtinlaat Luftintag Lufteinlaß Admission d'air Entrada de aire Presa d'aria Luftindsug Admissão de ar Luftinnløp Tuloilma	2	- GA (A)	4
		- GA (W)	5
Air receiver Luchtketel Luftbehållare Luftbehälter Réservoir d'air Depósito de aire Serbatoio dell'aria Oliebeholder Reservatório de ar Luftbeholder Ilmasäiliö	3	Oil system Oliesysteem Oljesystem Ölsystem Système d'huile Sistema de aceite Sistema dell'olio Oliesystem Sistema de óleo Oljesystem Voitelujärjestelmä	6
		Air outlet Luchtuitlaat Luftutlopp Luftauslaß Sortie d'air Salida de aire Mandata dell'aria Luftafgang Saida de ar Luftutløp Paineilmaputki	
		- Pack - GA (A)	7
		- Pack - GA (W)	8
		- Full Feature - GA (A)	9
		- Full Feature - GA (W)	10

Air dryer	Convertor cubicle	
Luchtdroger	Converterkast	
Lufttorkare	Omvandlarens skåp	
Lufttrockner	Konvertersschrank	
Sécheur d'air	Armoire du convertisseur	
Secador de aire	Armario de convertidor	
Essiccatore d'aria	Quadro del convertitore	
Lufttørrer	Regulator elskab	
Secador de ar	Quadro do conversor	
Lufttørker	Omformerskap	
Kuivain	Invertterikotelo	
	Start cubicle	
- Full Feature - GA 37 VSD (A/W) 400V/50Hz, -460V/60Hz	- 380V/60Hz IEC, -400V/50Hz IEC, -460V/60Hz CSA/UL	11 17
- Full Feature - GA 37 VSD (A/W) 200-230V, -380V/60Hz, -500V/50Hz, -575V/60Hz - GA 45 VSD (A/W) - GA 55 VSD (A/W)	- 500V/50Hz, -575V/60Hz	12 18
Drain system	- 200V/50Hz IEC, 200V/60Hz IEC, 230V/60Hz CSA/UL	19
Aftapsysteem	Bodywork	
Avtappingsystem	Carrosserie	
Ablaßsystem	Karosseri	
Système de vidange	Karosserie	
Sistema de drenaje	Capotage	
Sistema di scarico	Carrocería	
Drænsystem	Cappottatura	
Sistema de drenagem de condensados	Karosseri	
Avtappingsystem	Carroceria	
Lauhteenpoistojärjestelmä	Kabinett	
- Pack - GA (A)	Kotelo	13 20
- Pack - GA (W)	Service kits	14
- Full Feature - GA (A)	Service kits	15
- Full Feature - GA (W)	Service Kits	16
	Service kits	
	Service kits	
	Kit per la manutenzione	
	Service kits	
	Conjuntos de reparação	
	Servicesett	
	Huoltotarvikesarjat	21



1



63306_01

63306_01

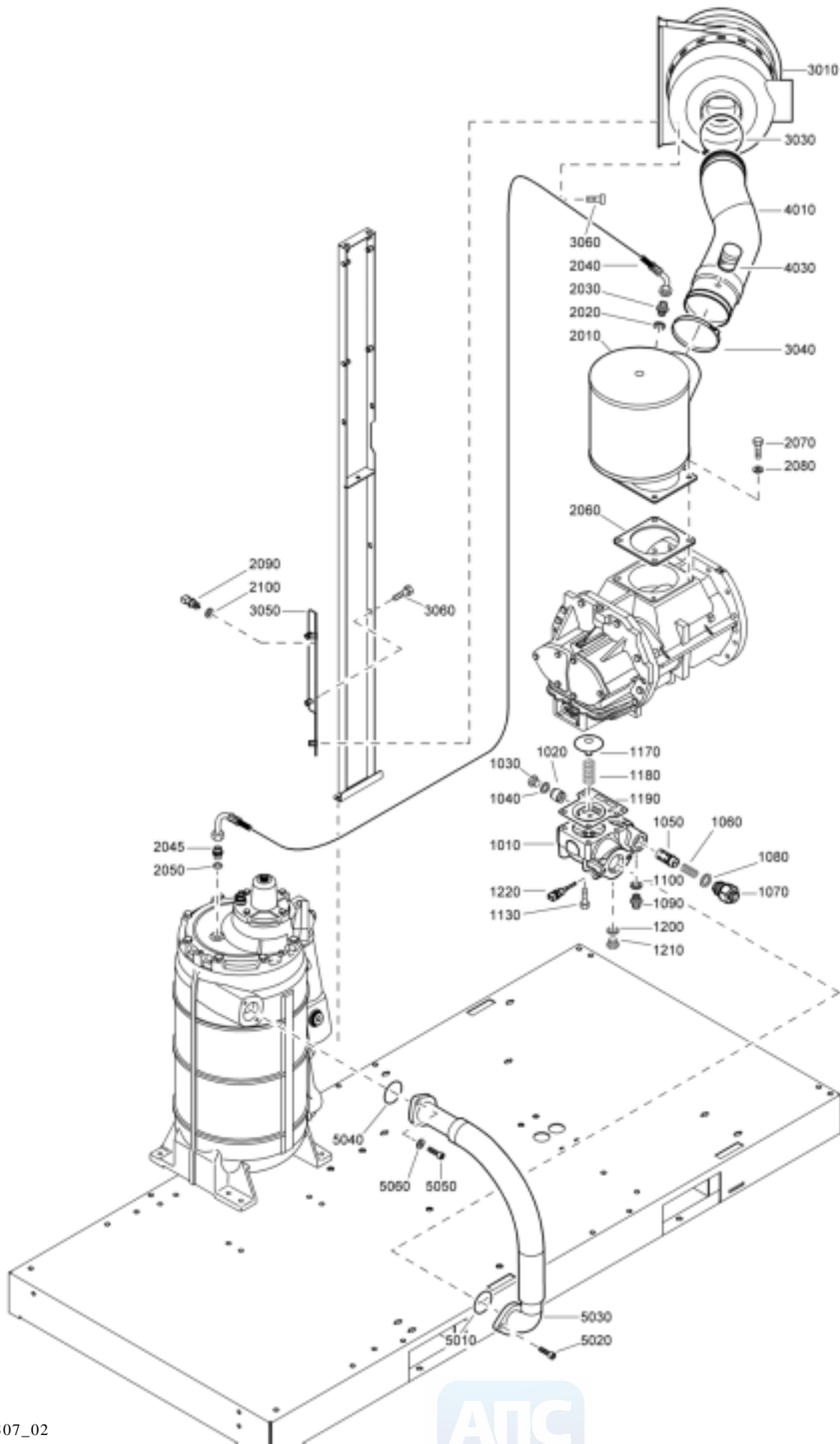


Compressor element and drive gear

1

Ref.	Partnumber	Qty	Name	Remarks	Ref.	Partnumber	Qty	Name	Remarks
1010	1616 7281 90	1	Service stage		1080 4248 06			GA 45 VSD 500V/50Hz IEC	
1020	1622 5541 00	1	Bushing		1080 4248 06			GA 45 VSD 575V/60Hz CSA/UL	
1030	0337 6051 00	1	Parallel key		1080 4248 03			GA 55 VSD 380V/60Hz IEC	
1040	1622 5593 00	1	Spacer		1080 4248 03			GA 55 VSD 400V/50Hz IEC	
1050	0147 1409 03	1	Hexagon bolt		1080 4248 03			GA 55 VSD 460V/60Hz CSA/UL	
1060	0101 1951 40	2	Pin		1080 4248 08			GA 55 VSD 500V/50Hz IEC	
1070	0147 1364 03	12	Hexagon bolt		1080 4248 08			GA 55 VSD 575V/60Hz CSA/UL	
1080	0663 2103 22	1	O-ring		2 110	1088 1001 03	1	Warning mark	
1090	1619 6032 00	2	Nipple - SPM		3 010	1622 3108 00	1	Spacer	
1100	0663 2107 84	1	O-ring		3 020	1622 3105 00	1	Spacer	
1110	1622 5542 00	1	Oil nozzle		3 030	0101 2313 00	2	Pin	
1120	0147 1322 03	1	Hexagon bolt		3 040	0147 1403 03	1	Hexagon bolt	
1130	0686 3701 01	1	Hexagon plug		3 050	1622 3152 02	1	Spacer	
1140	0661 1000 38	1	Seal washer		3 055	1613 6752 13	1	Antivibr.pad	
2010	1622 3740 00	1	Drain nipple		3 060	0147 1492 03	1	Hexagon bolt	
2020	0335 2173 00	1	Circlip		3 070	0301 2378 00	1	Washer	
2030	0508 1100 97	1	Roller bearing		3 080	0147 1400 03	2	Hexagon bolt	
2040	1622 4628 00	1	Seal		3 090	0301 2358 00	2	Washer	
2050	1622 4618 00	1	Gearbox		3 130	1622 3135 00	1	Support frame	
2060	0147 1477 03	4	Hexagon bolt		3 140	0147 1400 03	5	Hexagon bolt	
2070	1619 6032 00	1	Nipple		3 150	0301 2358 00	5	Washer	
2080	1622 3106 00	1	Bushing		3 160	1613 6752 12	2	Antivibr.pad	
2090	0337 0009 69	1	Key		3 170	0147 1400 03	4	Hexagon bolt	
2 100		1	Motor		3 180	0301 2358 00	4	Washer	
	1080 4248 05		GA 37 VSD 200V/50Hz IEC		3 190	0147 1479 03	2	Hexagon bolt	
	1080 4248 05		GA 37 VSD 200V/60Hz IEC		3 195	0301 2378 00	2	Washer	
	1080 4248 05		GA 37 VSD 230V/60Hz CSA/UL		4 010		1	Gear drive	
	1080 4248 01		GA 37 VSD 380V/60Hz IEC			1622 3110 67		GA 37 VSD	
	1080 4248 01		GA 37 VSD 400V/50Hz IEC			1622 3110 25		GA 45 VSD	
	1080 4248 01		GA 37 VSD 460V/60Hz CSA/UL			1622 3110 25		GA 55 VSD	
	1080 4248 04		GA 37 VSD 500V/50Hz IEC		4 020		1	Gear driven	
	1080 4248 04		GA 37 VSD 575V/60Hz CSA/UL			1622 3110 68		GA 37 VSD	
	1080 4248 02		GA 45 VSD 380V/60Hz IEC			1622 3110 26		GA 45 VSD	
	1080 4248 02		GA 45 VSD 400V/50Hz IEC			1622 3110 26		GA 45 VSD	
	1080 4248 02		GA 45 VSD 460V/60Hz CSA/UL			1622 3110 26		GA 55 VSD	

2



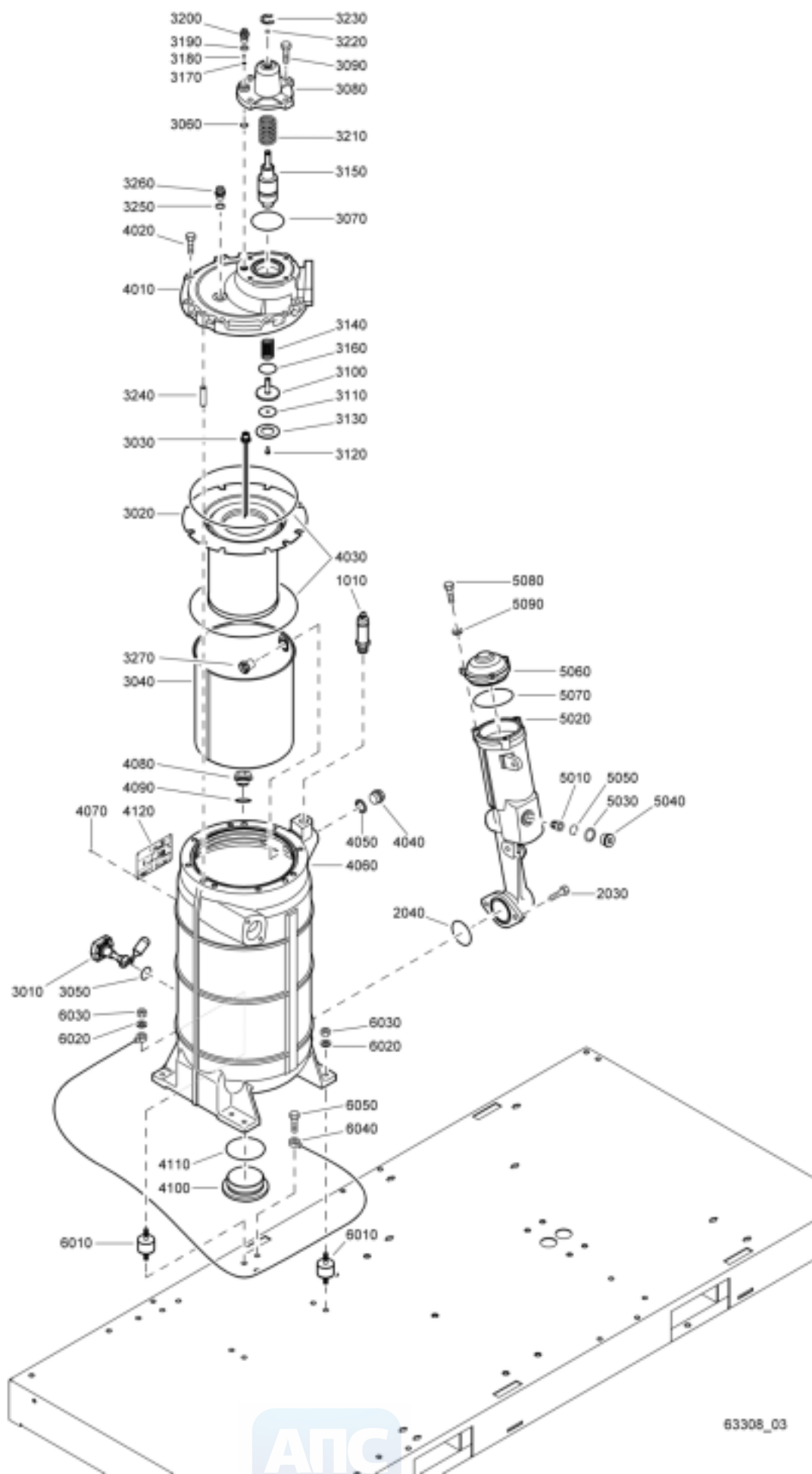
63307_02

63307_02

Air inlet

Ref.	Partnumber	Qty	Name	Remarks	Ref.	Partnumber	Qty	Name	Remarks
1010	1622 4639 00	1	Body		2080	0301 2344 00	4	Washer	
1020	1613 2359 00	1	Piston		2090	1089 0574 12	1	Temp.sensor	
1030	0686 3716 07	1	Hexagon plug		2100	0989 4220 15	1	Grommet	
1040	0661 1000 44	1	Seal washer		3010		1	Airfilter assembly	
1050	1613 8907 00	1	Valve body			1622 5073 80		GA 37 VSD	
1060	1613 2357 00	1	Compr.spring			1622 5073 80		GA 45 VSD	
1070	1622 5565 00	1	Nipple			1622 1854 01		GA 55 VSD	
1080	0663 3130 00	1	O-ring				• 1	Filter element	
1090	1079 5840 19	1	Nipple			1613 7408 00		GA 37 VSD	
1100	0661 1000 39	1	Seal washer			1613 7408 00		GA 45 VSD	
1130	0147 1377 03	4	Hexagon bolt			1622 1855 01		GA 55 VSD	
1170	1622 9639 00	1	Valve		3030	0347 6115 00	1	Hose clip	
1180	1622 0796 00	1	Spring		3040	0347 6115 00	1	Hose clip	
1190	1622 4664 00	1	Gasket		3050	1622 3146 00	1	Plate filter	
1200	0661 1000 38	1	Seal washer		3060	0147 1963 08	4	Hexagon bolt	
1210	0686 3716 01	1	Hexagon plug			1622 3199 81	1	Hose assy	
1220	1089 0574 55	1	Temp.sensor		4010	1622 3129 02	• 1	Air hose	
2010	1622 0704 00	1	Housing		4030	1613 7912 01	• 1	Indicator	
2020	0661 1000 40	1	Seal washer		5010	0663 7136 00	1	O-ring	
2030	1079 5840 03	1	Nipple		5020	0211 1363 03	2	Cap screw	
2040	0574 9914 18	1	Hose assembly		5030	1622 3154 00	1	Pipe	
2045	1079 5840 03	1	Nipple		5040	0663 7136 00	1	O-ring	
2050	0661 1000 40	1	Seal washer		5050	0211 1363 03	2	Cap screw	
2060	1622 0711 00	1	Gasket		5060	0300 0274 55	2	Plain washer	
2070	0147 1363 03	4	Hexagon bolt						

3

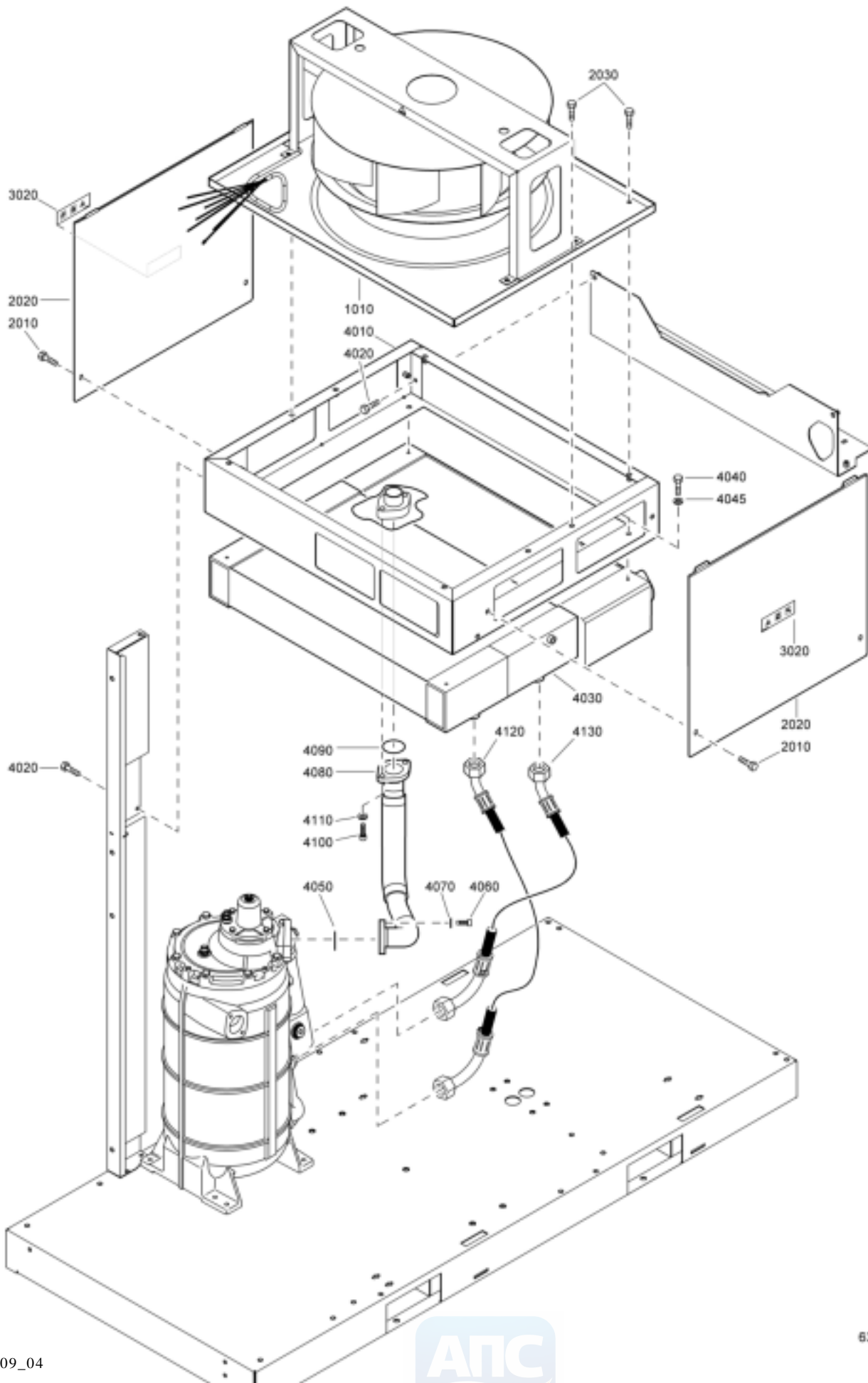


Air receiver

3

Ref.	Partnumber	Qty	Name	Remarks	Ref.	Partnumber	Qty	Name	Remarks
1010	0832 1000 79	1	Safety valve						
	0830 1008 40		13 bar(e)						
			175 psig						
2030	0147 1363 03	4	Hexagon bolt						
2040	0663 7137 00	1	O-ring						
		1	Vessel assy						
	1622 5089 99		CE/ASME						
	1622 5089 82		LL/DIR						
	1622 5089 86		SQL						
	1622 5089 85		MOL						
	1622 5089 95		MOM						
3010	1622 3659 00	• 1	Oil level gauge		4010	1622 3101 00	•• 1	Housing	
3020	1622 3140 00	• 1	Oil separator		4020	0147 1960 64	•• 8	Hexagon bolt	
3030	1622 3157 00	• 1	Scavenge line		4030	0663 2113 20	•• 2	O-ring	
3040	1622 3138 00	• 1	Shield		4040	0686 4206 00	•• 1	Hexagon plug	
3050	0663 2102 15	• 2	O-ring		4050	0661 1000 43	•• 1	Seal washer	
3060	0663 3120 00	• 1	O-ring		4060	1622 3100 00	•• 1	Vessel	
3070	0663 7139 00	• 1	O-ring		4070	0244 4184 00	•• 4	Drive screw	
3080	1622 3661 00	• 1	Cover		4080	1202 8992 00	•• 1	Plug	
3090	0147 1326 03	• 4	Hexagon bolt		4090	0663 2102 15	•• 1	O-ring	
3100	1613 3221 00	• 1	Piston valve		4100	1622 3660 00	•• 1	Plug	
3110	1613 3222 00	• 1	Washer		4110	0663 2111 17	•• 1	O-ring	
3120	0147 1244 03	• 1	Hexagon bolt		4120		•• 1	Dataplate	
3130	1613 3223 01	• 1	Washer			1622 5524 01		CE/ASME	
3140	1622 3662 00	• 1	Spring			1622 5524 00		LL/DIR	
3150	1622 3663 00	• 1	Piston			1622 5524 02		SQL	
3160	0663 2101 01	• 1	O-ring			1622 5524 00		MOL	
3170	0663 2108 11	• 1	O-ring			1622 5524 00		MOM	
3180	1613 9005 01	• 1	Non return valve			1622 3125 80	1	Oil filter assy	
3190	0661 1000 38	• 1	Seal washer		5010	1622 3143 00	• 1	By pass valve	
3200	1622 0164 00	• 1	Nipple		5020	1622 3125 00	• 1	Oil filter pipe	
3210	1622 3664 00	• 1	Spring		5030	0661 1000 43	• 1	Seal washer	
3220	0301 2321 00	• 4	Washer		5040	0686 6446 00	• 1	Hex socket plug	
3230	0335 3111 00	• 1	Retaining ring		5050	0335 2126 00	• 1	Circlip	
3240	0101 1951 44	• 3	Pin		5060	1622 4614 00	• 1	Cover	
3250	0661 1000 40	• 1	Seal washer		5070	0663 2113 16	• 1	O-ring	
3260	1079 5840 03	• 1	Nipple		5080	0147 1325 03	• 3	Hexagon bolt	
3270	1622 5078 00	• 1	Nipple		5090	0301 2335 00	• 3	Washer	
					6010	0392 1100 28	4	Vibration damper	
					6020	0301 2335 00	4	Washer	
					6030	0291 1110 00	4	Lock nut	
					6040	1613 8967 12	1	Cable	
					6050	0147 1963 08	1	Hexagon bolt	

4



63309_04

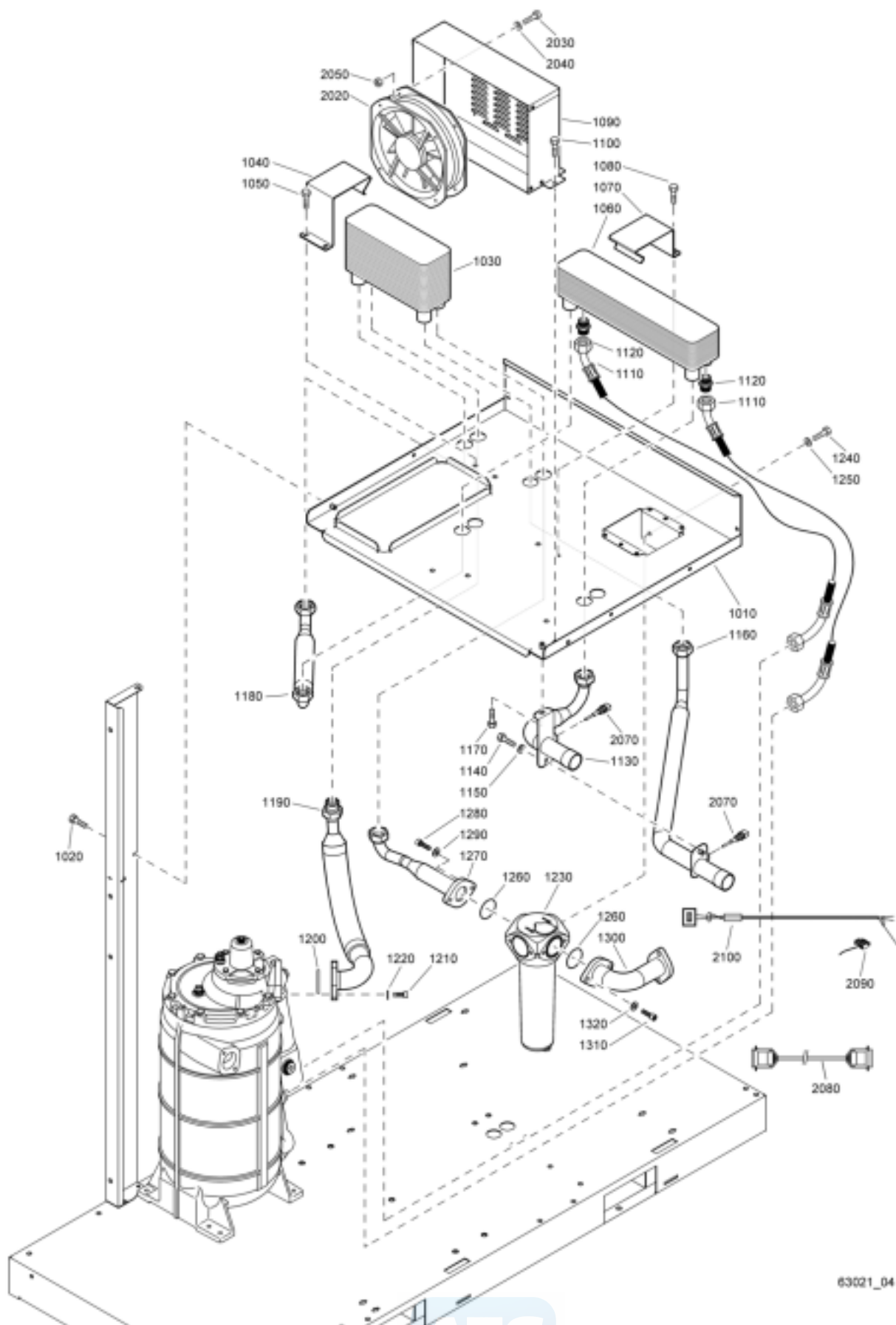
63309_04

Air flow and cooling system - GA (A)

4

Ref.	Partnumber	Qty	Name	Remarks	Ref.	Partnumber	Qty	Name	Remarks
1010		1	Fan assembly		2020	1622 3147 80	2	Fan protection	1)
	1622 3197 08		GA 37 VSD (A) 200V/50Hz IEC		2030	0147 1963 08	8	Hexagon bolt	
	1622 3197 15		GA 37 VSD (A) 200V/60Hz IEC		3020	1079 9901 18	1	Warning label	
	1622 3197 11		GA 37 VSD (A) 230V/60Hz IEC		4010		1	Coolerplate	
	1622 3197 11		GA 37 VSD (A) 380V/60Hz IEC			1622 3193 00		GA 37 VSD (A)	
	1622 3197 01		GA 37 VSD (A) 400V/50Hz IEC			1622 3194 00		GA 45 VSD (A)	
	1622 3197 11		GA 37 VSD (A) 460V/60Hz			1622 3195 00		GA 55 VSD (A)	
			CSA/UL		4020	0147 1963 08	4	Hexagon bolt	
	1622 3197 03		GA 37 VSD (A) 500V/50Hz IEC		4030		1	Cooler	
	1622 3197 12		GA 37 VSD (A) 575V/60Hz			1622 3188 00		GA 37 VSD (A)	
			CSA/UL			1622 3189 00		GA 45 VSD (A)	
	1622 3197 60		GA 45 VSD (A) 380V/60Hz IEC			1622 3190 00		GA 55 VSD (A)	
	1622 3197 60		GA 45 VSD (A) 400V/50Hz IEC		4040	0147 1323 03	4	Hexagon bolt	
	1622 3197 60		GA 45 VSD (A) 460V/60Hz IEC		4045	0301 2335 00	4	Washer	
	1622 3197 60		GA 45 VSD (A) 460V/60Hz		4050	0663 7136 00	1	O-ring	
			CSA/UL		4060	0211 1363 03	2	Cap screw	
	1622 3197 61		GA 45 VSD (A) 500V/50Hz IEC		4070	0300 0274 55	2	Plain washer	
	1622 3197 61		GA 45 VSD (A) 575V/60Hz		4080	1622 3155 00	1	Pipe	
			CSA/UL		4090	0663 7136 00	1	O-ring	
	1622 3197 60		GA 55 VSD (A) 380V/60Hz IEC		4100	0211 1363 03	2	Cap screw	
	1622 3197 60		GA 55 VSD (A) 400V/50Hz IEC		4110	0300 0274 55	2	Plain washer	
	1622 3197 60		GA 55 VSD (A) 460V/60Hz IEC		4120	0574 9918 18	2	Hose assembly	
	1622 3197 60		GA 55 VSD (A) 460V/60Hz		4130	0574 9918 19	1	Hose assembly	
			CSA/UL						
	1622 3197 61		GA 55 VSD (A) 500V/50Hz IEC	1)				Lined with / Bekleed met / Beklädd med / Ausgekleidet	
	1622 3197 61		GA 55 VSD (A) 575V/60Hz					mit / Garnir de / Rivestido de / Allineato con / Foret med	
			CSA/UL					/ Revestido com / Kledd med / Vuorattu :	
2010	0147 1963 08	4	Hexagon bolt					Foam: 0395 6001 67(AR) 30 x 2040 x 1650	

5



63021_04

63021_04



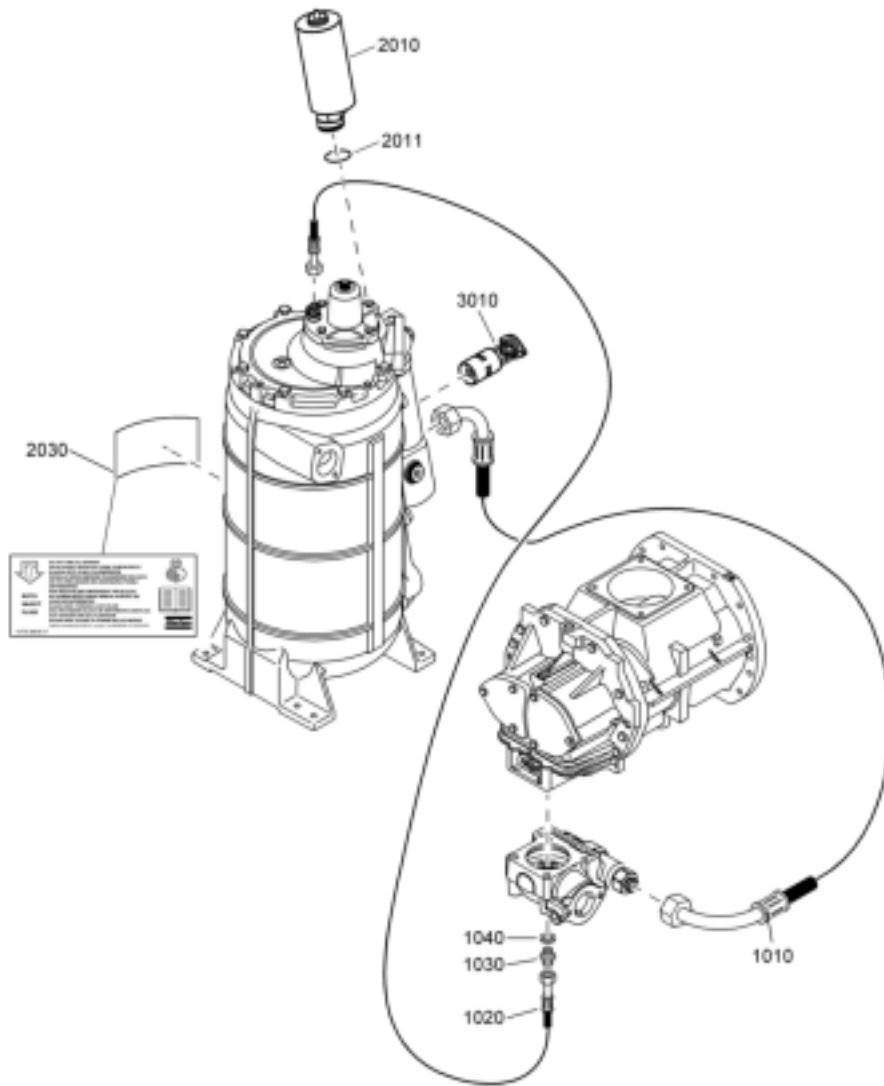
Air flow and cooling system GA (W)

5

Ref.	Partnumber	Qty	Name	Remarks	Ref.	Partnumber	Qty	Name	Remarks
1010	1622 5079 80	1	Plate		1230	1613 9357 82	1	WSD 80	
1020	0147 1963 08	4	Hexagon bolt			0663 2111 27	• 1	O-ring	
1030	1622 5075 80	1	Aftercooler			0663 2111 80	• 1	O-ring	
1040	1622 4642 02	1	Support			4090 0309 00	• 1	O-ring	
1050	0147 1963 08	2	Hexagon bolt		1240	0147 1360 03	4	Hexagon bolt	
1060	1622 5077 80	1	Oil cooler		1250	0301 2344 00	4	Washer	
1070	1622 4642 01	1	Support		1260	0663 9868 00	2	O-ring	
1080	0147 1963 08	2	Hexagon bolt		1270	1622 5083 00	1	Pipe	
1090	1622 5080 00	1	Cooling fan cubicle		1280	0211 1363 03	2	Cap screw	
1100	0147 1963 08	4	Hexagon bolt		1290	0300 0274 55	2	Plain washer	
1110	0574 9918 18	2	Hose assembly		1300	1622 5081 00	1	Pipe	
1120	1619 5509 00	2	Nipple		1310	0211 1363 03	2	Cap screw	
1130	1622 5086 00	1	Pipe		1320	0300 0274 55	2	Plain washer	
1140	0147 1963 08	1	Hexagon bolt		2020	1089 9556 28	1	Fan	
1150	0301 2335 00	1	Washer		2030	0160 6039 00	4	Screw	
1160	1622 5084 00	1	Pipe		2040	0301 2315 00	4	Washer	
1170	0147 1963 08	1	Hexagon bolt		2050	0261 2106 00	4	Nut	
1180	1622 5085 00	1	Connection		2070	1089 0574 49	2	Temp.sensor	
1190	1622 5082 00	1	Flexible pipe		2080	1622 0661 01	1	Cable	
1200	0663 9868 00	1	O-ring		2090	1088 0031 04	1	Connector	
1210	0211 1363 03	2	Cap screw		2100	1622 0663 03	2	Cable temp.sensor	
1220	0300 0274 55	2	Plain washer						

6

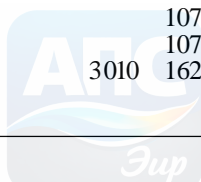
Oil system



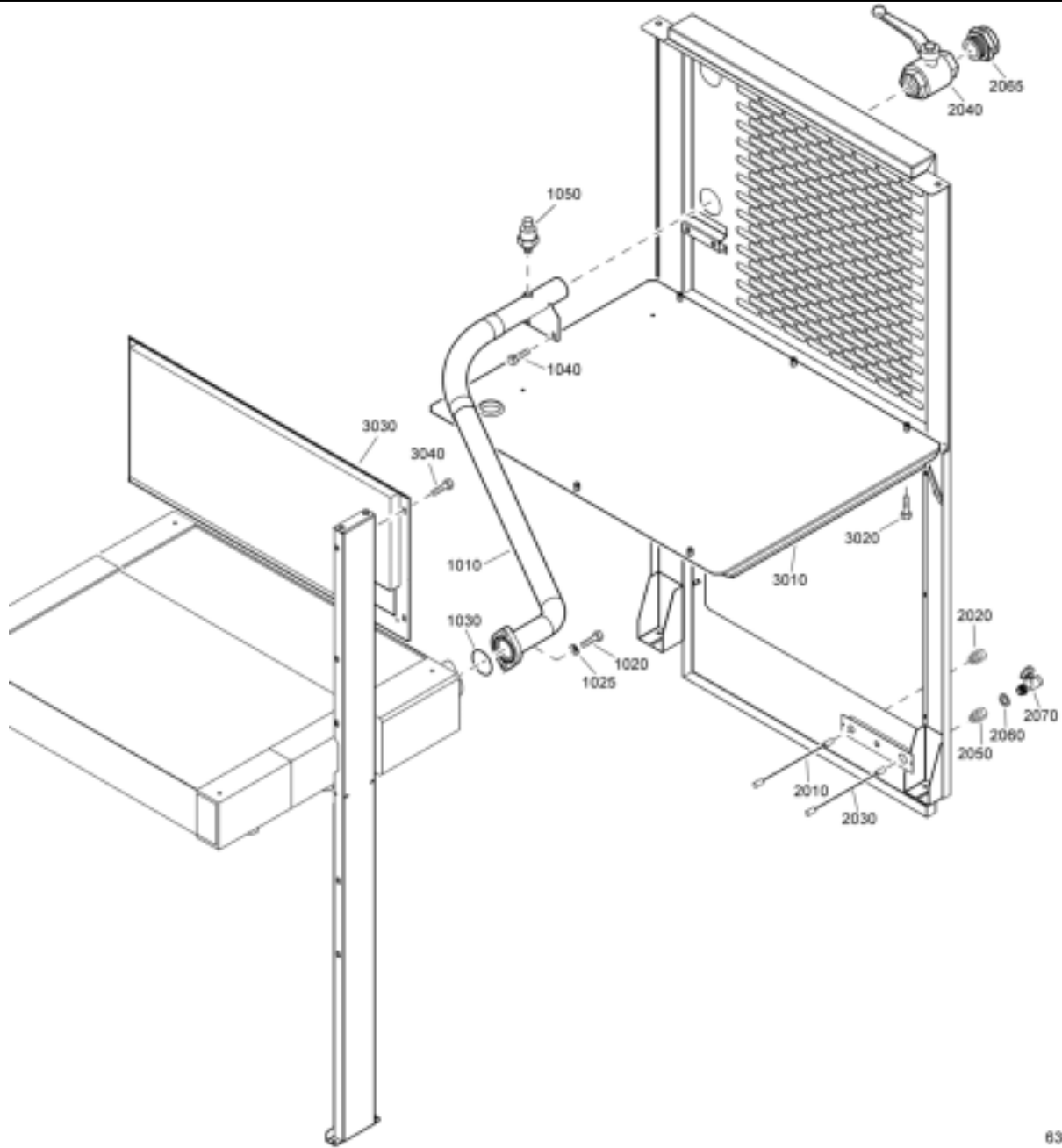
63296_05

63296_05

Ref.	Partnumber	Qty	Name	Remarks	Ref.	Partnumber	Qty	Name	Remarks
1010	0574 9914 19	1	Hose assembly		2010	1622 3142 80	1	Oil filter element	
1020	0574 9917 06	1	Hose assembly			1622 5072 80		4000 HRS	
1030	1079 5840 19	1	Nipple			8000 HRS		8000 HRS	
1040	0653 1062 00	1	Flat gasket		2011	0663 2113 23	• 1	O-ring	
					2030	1079 9909 57	1	Label	
						1079 9920 76		Roto Inject Fluid	
					3010	1622 7064 04	1	HD - Roto Fluid Plus	
								Thermostatic valve	



Air outlet - Pack GA (A)



63026_06

63026_06

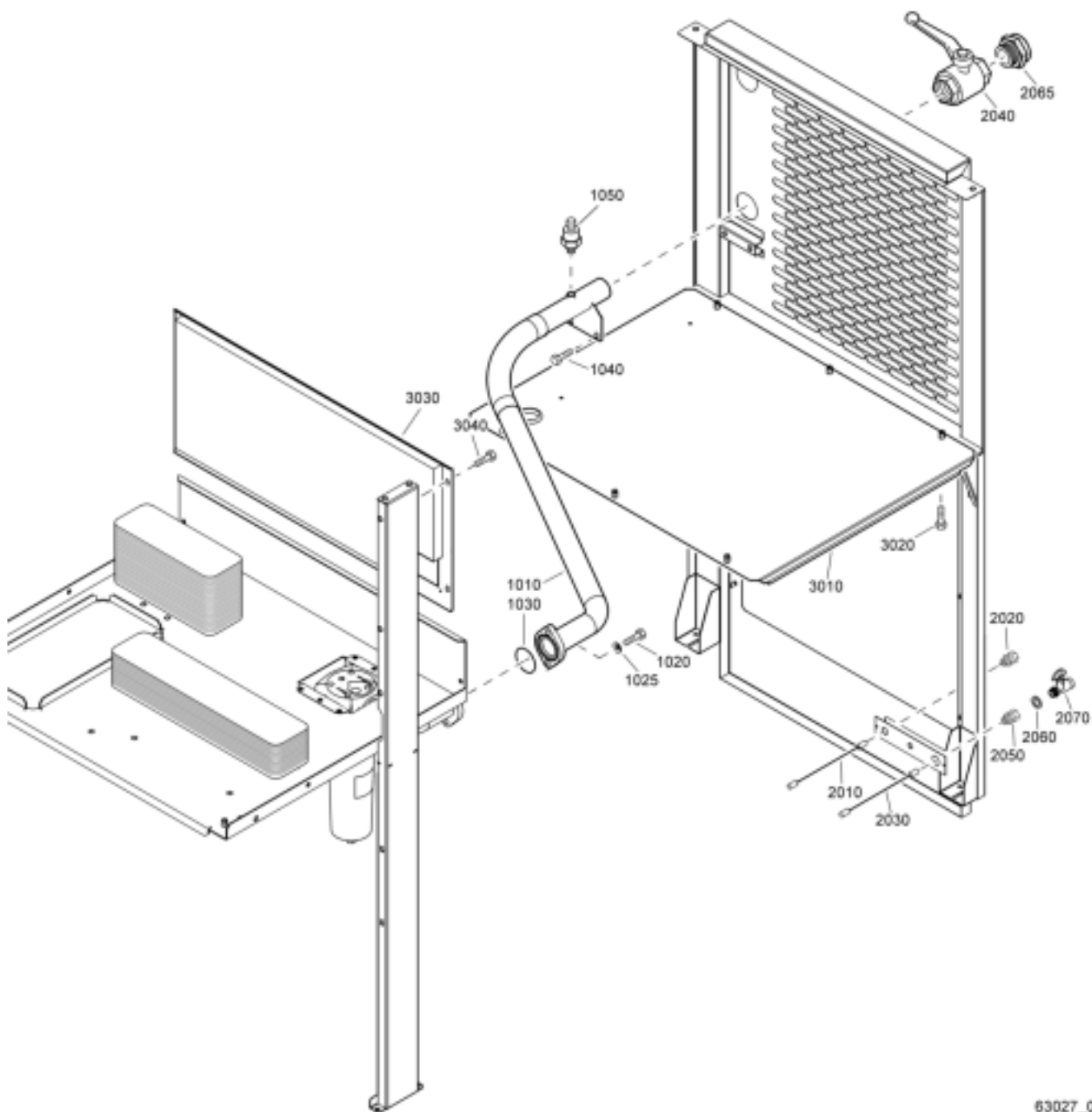
Ref.	Partnumber	Qty	Name	Remarks	Ref.	Partnumber	Qty	Name	Remarks
1010	1622 3198 00	1	Pipe outlet		2065	0605 8350 26	1	Bushing CSA/UL	
1020	0211 1363 03	2	Cap screw		2070	1619 7336 00	1	Cock	
1025	0300 0274 55	2	Plain washer		3010	1622 3149 80	1	Plate	1)
1030	0663 7136 00	1	O-ring			1088 0801 53	1	Grommet	
1040	0147 1963 08	2	Hexagon bolt		3020	0147 1963 08	6	Hexagon bolt	
1050	1089 0575 54	1	Press.transducer		3030	1622 3148 81	1	Separation plate	1)
2010	0070 6002 04	AR	Plastic tube		3040	0147 1963 08	4	Hexagon bolt	
2020	0581 0000 33	1	Coupling						
2030	0070 6002 05	AR	Plastic tube						
2040	0852 0010 19	1	Ball valve						
2050	0581 0000 35	1	Coupling						
2060	0661 1000 38	1	Seal washer						

1) Lined with / Bekleed met / Beklädd med / Ausgekleidet mit / Garnir de / Rivestido de / Allineato con / Foret med / Revestido com / Kledd med / Vuorattu :
Foam: 0395 6001 67(AR) 30 x 2040 x 1650



8

Air outlet - Pack - GA (W)

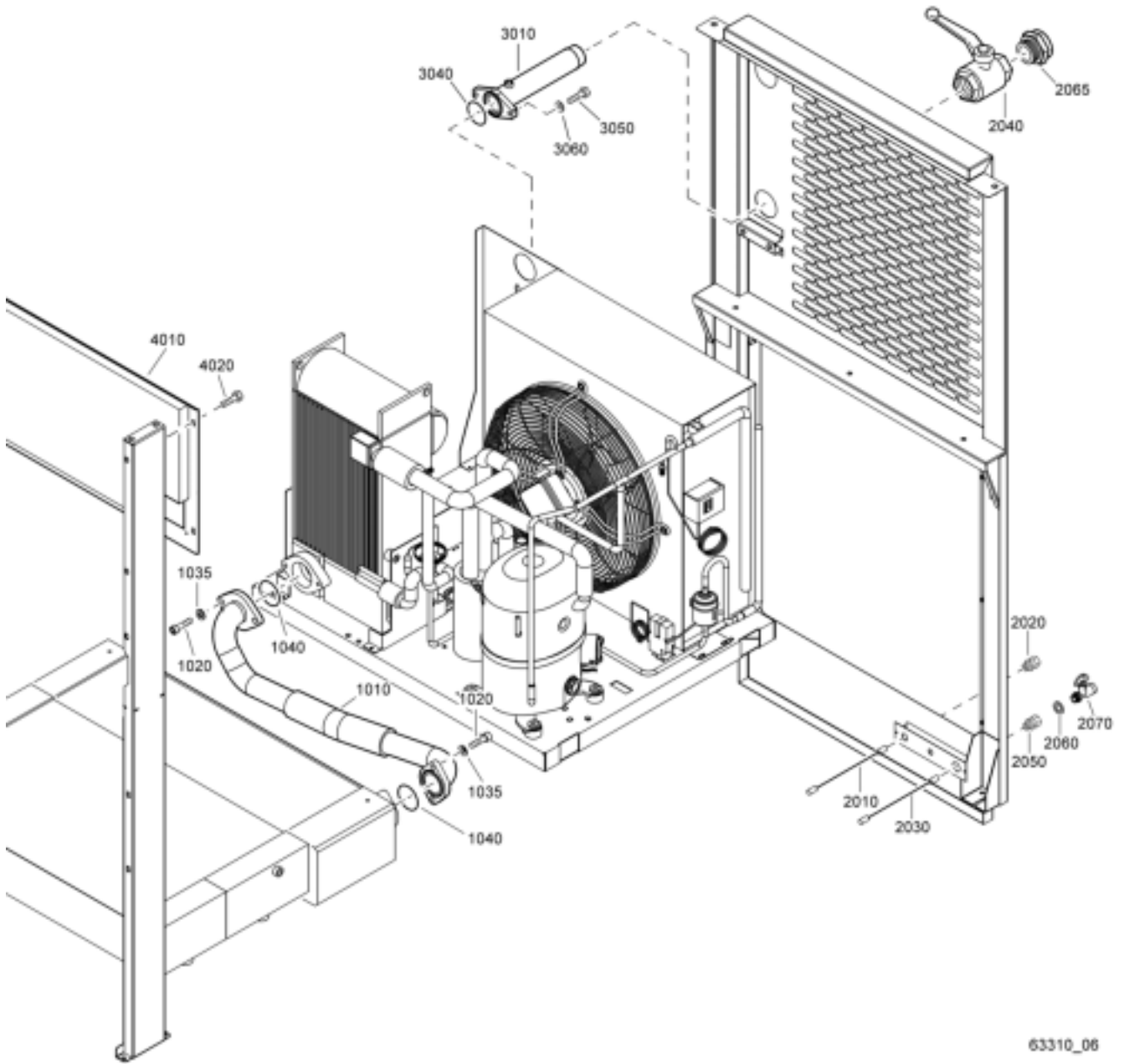


63027_06
63027_06

Ref.	Partnumber	Qty	Name	Remarks	Ref.	Partnumber	Qty	Name	Remarks
1010	1622 3198 00	1	Pipe outlet		2065		1	Bushing	
1020	0211 1363 03	2	Cap screw		0605 8350 26			CSA/UL	
1025	0300 0274 55	1	Plain washer		2070	1619 7336 00	1	Cock	
1030	0663 7136 00	1	O-ring		3010	1622 3149 80	1	Plate	1)
1040	0147 1963 08	2	Hexagon bolt		1088 0801 53		1	Grommet	
1050	1089 0575 54	1	Press.transducer		3020	0147 1963 08	6	Hexagon bolt	
2010	0070 6002 04	AR	Plastic tube		3030	1622 3148 81	1	Separation plate	1)
2020	0581 0000 33	1	Coupling		3040	0147 1963 08	4	Hexagon bolt	
2030	0070 6002 05	AR	Plastic tube						
2040	0852 0010 19	1	Ball valve		1)			Lined with / Bekleed met / Beklädd med / Ausgekleidet mit / Garnir de / Rivestido de / Allineato con / Foret med / Revestido com / Kledd med / Vuorattu :	
2050	0581 0000 35	1	Coupling					Foam: 0395 6001 67(AR) 30 x 2040 x 1650	
2060	0661 1000 38	1	Seal washer						



Air outlet - Full Feature - GA (A)

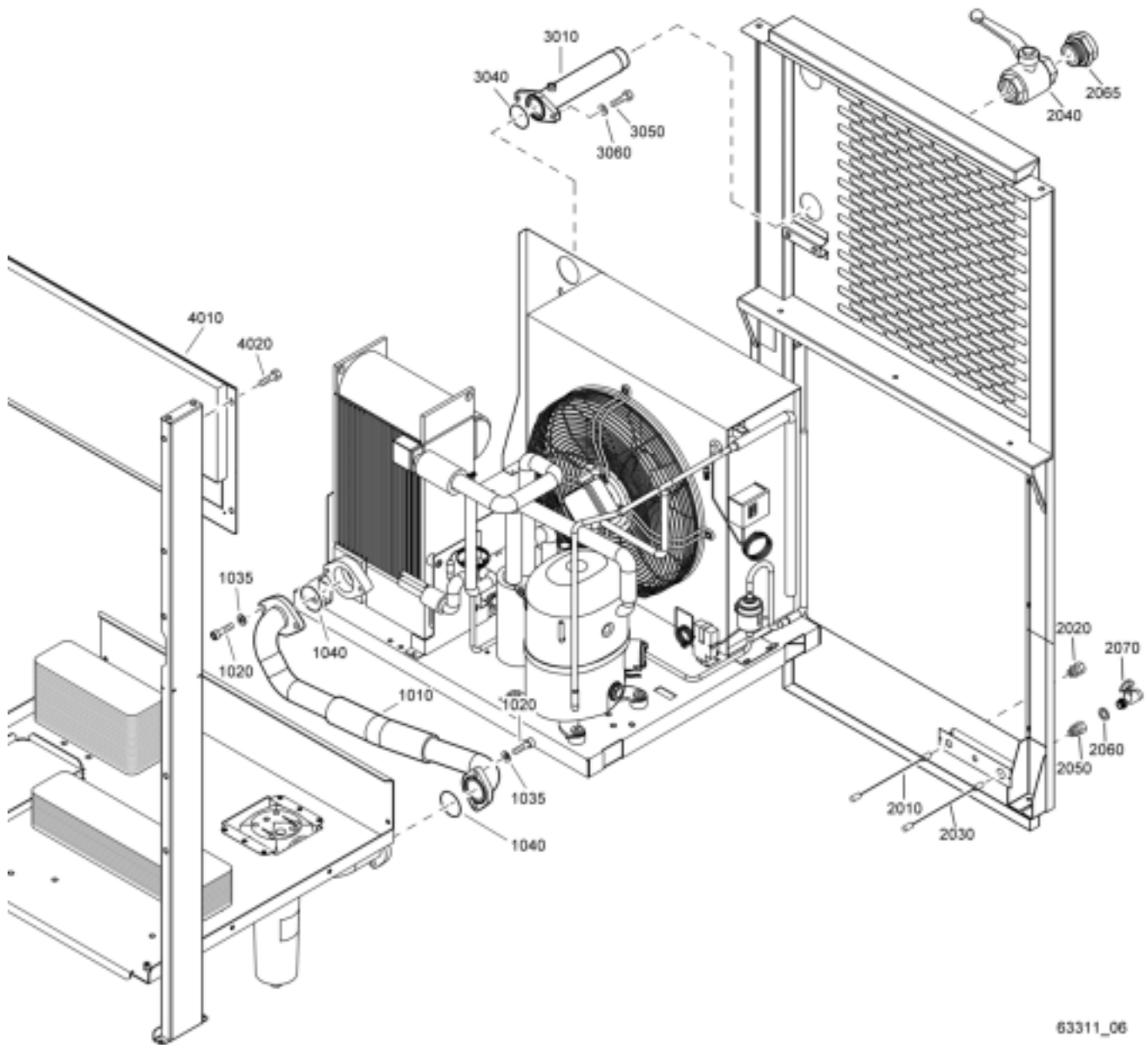


Ref.	Partnumber	Qty	Name	Remarks	Ref.	Partnumber	Qty	Name	Remarks
1010	1622 3156 00	1	Pipe		3010	1622 4627 01	1	Outlet pipe	
1020	0211 1363 03	4	Cap screw		3040	0663 2104 75	1	O-ring	
1035	0300 0274 55	4	Plain washer		3050	0147 1326 03	2	Hexagon bolt	
1040	0663 7136 00	2	O-ring		3060	0301 2335 00	2	Washer	
2010	0070 6002 04	AR	Plastic tube		4010	1622 3148 80	1	Separation plate	1)
2020	0581 0000 33	1	Coupling		4020	0147 1963 08	4	Hexagon bolt	
2030	0070 6002 05	AR	Plastic tube						
2040	0852 0010 19	1	Ball valve						
2050	0581 0000 35	1	Coupling						
2060	0661 1000 38	1	Seal washer						
2065		1	Bushing						
	0605 8350 26		CSA/UL						
2070		1	Cock						
	1619 7336 00		IEC						

1) Lined with / Bekleed met / Beklädd med / Ausgekleidet mit / Garnir de / Rivestido de / Allineato con / Foret med / Revestido com / Kledd med / Vuorattu :
Foam: 0395 6001 67(AR) 30 x 2040 x 1650



10



63311_06

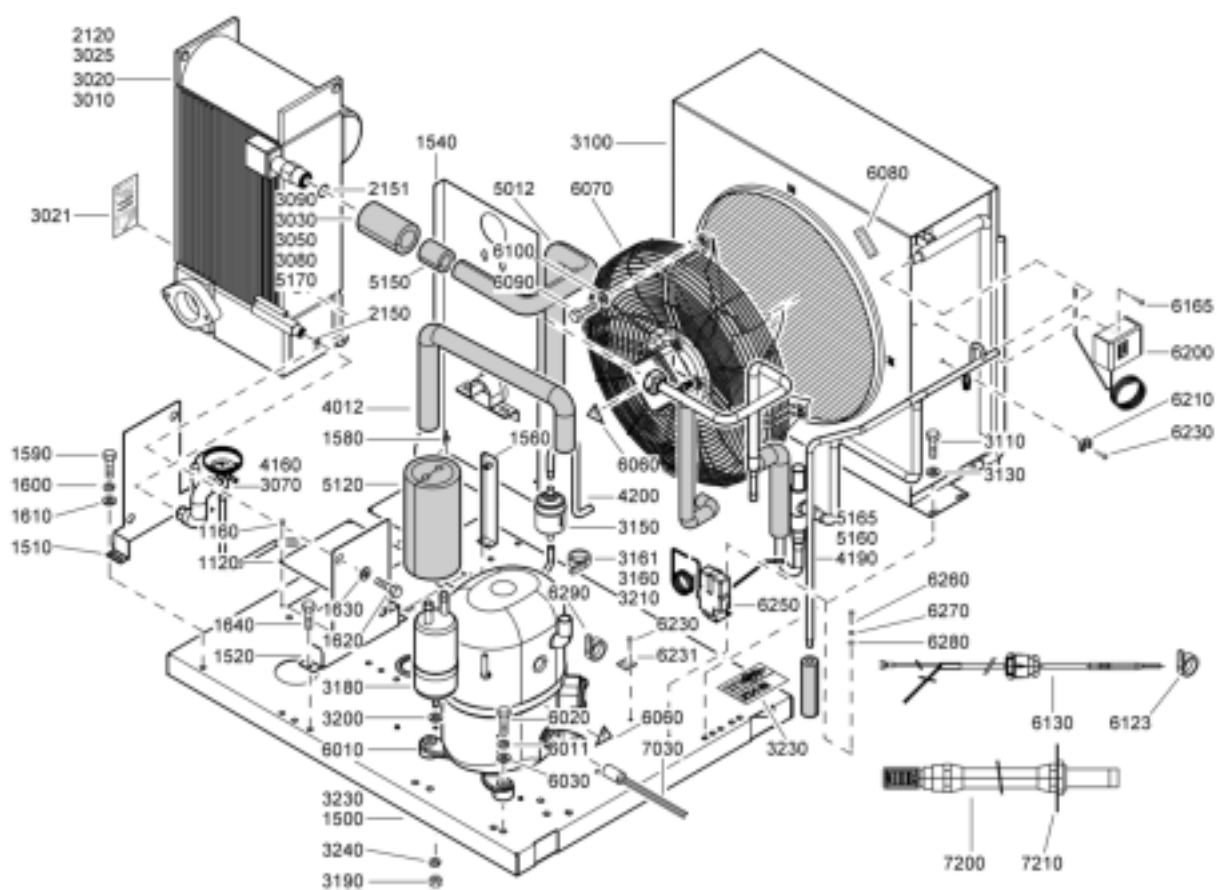
Air outlet - Full Feature GA (W)

10

Ref.	Partnumber	Qty	Name	Remarks	Ref.	Partnumber	Qty	Name	Remarks
1010	1622 3156 00	1	Pipe		2070		1	Cock	
1020	0211 1363 03	4	Cap screw			1619 7336 00		IEC	
1035	0300 0274 55	4	Plain washer		3010	1622 4627 01	1	Outlet pipe	
1040	0663 7136 00	2	O-ring		3040	0663 2104 75	1	O-ring	
2010	0070 6002 04	AR	Plastic tube		3050	0147 1326 03	2	Hexagon bolt	
2020	0581 0000 33	1	Coupling		3060	0301 2335 00	2	Washer	
2030	0070 6002 05	AR	Plastic tube		4010 1622 3148 80	1	Separation plate	1)	
2040	0852 0010 19	1	Ball valve		4020	0147 1963 08	4	Hexagon bolt	
2050	0581 0000 35	1	Coupling						
2060	0661 1000 38	1	Seal washer		1)			Lined with / Bekleed met / Beklädd med / Ausgekleidet	
2065		1	Bushing					mit / Garnir de / Rivestido de / Allineato con / Foret med	
	0605 8350 26		CSA/UL					/ Revestido com / Kledd med / Vuorattu :	
2070		1	Cock					Foam: 0395 6001 67(AR) 30 x 2040 x 1650	
	1619 7336 00		IEC						



11



63312_17

Air dryer - Full Feature - GA 37 VSD 400V/50Hz, -460V/60Hz

Ref.	Partnumber	Qty	Name	Remarks	Ref.	Partnumber	Qty	Name	Remarks
		1	Air Dryer		4200	1624 2383 00	• 1	Pipe	
	8092 2650 50		GA 37 VSD ID 120 400V/50Hz		5012	1617 2499 14	• 1	Insulation	
			IEC		5120	1617 1641 80	• 1	Insulation assy	
	8092 2650 68		GA 37 VSD ID 120 460V/60Hz			1617 1641 01	•• 1	Insulation	
			CSA/UL			1617 1642 00	•• 1	Insulation	
1 120	1624 2374 00	• 2	Plate		5 150	1617 2361 00	• 1	Insulation	
1 160	0111 1686 12	• 8	Plug		5 160	1624 2452 00	• 1	Insulation	
1 500	1624 2368 80	• 1	Frame assy		5 165	1624 2455 00	• 1	Insulation	
1 510	1624 2370 00	• 1	Support		5 170	1624 2386 00	• 1	Insulation	
1 520	1624 2371 00	• 1	Support		6010		• 1	Refrigerant compressor	
1 540	1624 2372 80	• 1	Plate assy			1624 2295 02		GA 37 VSD ID 120 400V/50Hz	
1 560	1624 2309 80	• 1	Support			1624 2294 05		GA 37 VSD ID 120 460V/60Hz	
1 580	0129 3270 40	• 5	Blind rivet		6011	0333 3227 00	• 4	Lockwasher	
1 590	0147 1247 03	• 4	Hex.bolt		6020	0147 1331 03	• 4	Hexagon bolt	
1 600	0333 3220 00	• 4	Lockwasher		6030	0300 8019 00	• 4	Washer	
1 610	0300 0274 64	• 4	Washer		6040	0333 3214 00	• 1	Lockwasher	
1 620	0147 1323 03	• 4	Bolt		6041		• 2	Lockwasher	
1 630	0300 0276 47	• 4	Washer			0333 3214 00		460V/60Hz	
1 640	1079 2263 02	• 2	Tap screw		6050	0301 2315 00	• 1	Washer	
2 120	1624 2451 00	• 2	Insulation		6060	1088 1001 01	• 3	Warning mark	
2 150	1617 0092 03	• 1	Ring		6070		• 1	Fan assy	
2 151	1617 0315 00	• 1	Ring (all)			1624 2390 80		400V/50Hz	
3010	1617 1269 00	• AR	Freon gas			1624 2037 80		460V/60Hz	
	1624 2289 80	• 1	Heat exchanger		6080	1503 0786 00	• 1	Rotation arrow	
3020	1624 2289 00	•• 1	Heat exchanger		6090	0147 1326 03	• 4	Bolt	
3021	1624 2412 00	•• 1	Label		6100	0300 8019 00	• 4	Washer	
3025	0147 1247 03	• 1	Hex.bolt		6123	0348 0101 13	• 10	Cable tie	
3030	0346 1000 41	• 2	Pipe clamp		6130	1617 3077 85	• 1	Temperature sensor	
3050	1079 2263 01	• 2	Screw		6165	0226 3256 00	• 2	Screw	
3070	0346 1000 37	• 1	Pipe clamp		6200	1089 9139 04	• 1	Fan switch	
3080	0301 2327 00	• 1	Washer		6210	0348 0111 06	• 1	Anchor	
3090	0333 3220 00	• 1	Lockwasher		6230	0226 3343 07	• 2	Tapping screw	
3100	1624 2278 00	• 1	Condenser		6231	0348 0111 06	• 1	Anchor	
3110	0147 1247 03	• 6	Bolt		6250	1619 5703 00	• 1	High pressure switch	
3130	0300 0274 64	• 6	Washer		6260	0226 3216 00	• 2	Tapping screw	
3150	1624 2293 00	• 1	Filter dryer		6270	0333 3214 00	• 2	Lockwasher	
3160	0226 3343 07	• 1	Tapping screw		6280	0301 2315 00	• 2	Washer	
3161	0348 0101 13	• 3	Cable tie		6290		• 2	Cable tie	
3180	1617 1625 00	• 1	Liquid separator			0348 0101 13		400V/50Hz	
3190	0697 9809 10	• 1	Locknut		6350		• 4	Washer	
3200	0301 2335 00	• 1	Washer			0300 8019 00		460V/60Hz	
3210	0348 0110 03	• 1	Anchor		7030		• 1	Crankcase heater	
3230	1079 9901 09	• 1	Label			1624 2313 80		400V/50Hz	
3240	0333 3227 00	• 1	Lockwasher			1088 0015 02	•• 1	Connector plug	
4012		• 1	Pipe assy			1624 2389 00	•• 1	Clamp	
	1624 2394 80		50Hz			1088 0015 14	•• 2	Pin contact	
	1624 2444 80		60Hz		7200		• 1	Wiring	
4 160	1624 2400 80	• 1	Pipe assy			1624 2360 80		400V/50Hz	
4 190		• 1	Pipe assy			1624 2364 80		460V/60Hz	
	1624 2396 80		50Hz		7210	1624 2361 00	•• 1	Plate	
	1624 2441 80		60Hz						



Ref.	Partnumber	Qty	Name	Remarks	Ref.	Partnumber	Qty	Name	Remarks
1 120	1624 2374 00	• 2	Plate		4 160	1624 2376 80	• 1	Pipe	
1 160	0111 1686 12	• 8	Plug		4 190		• 1	Pipe assy	
1 500	1624 2368 80	• 1	Frame assy			1624 2416 80		500V/50Hz	
1 510	1624 2370 00	• 1	Support			1624 2416 80		575V/60Hz	
1 520	1624 2371 00	• 1	Support			1624 2379 80		Others	
1 540	1624 2372 80	• 1	Plate assy		4 200	1624 2383 00	• 1	Pipe	
1 560	1624 2309 80	• 1	Support		5 012	1617 2499 07	• 1	Insulation	
1 580	0129 3270 40	• 5	Blind rivet		5 120	1617 1641 80	• 1	Insulation assy	
1 590	0147 1247 03	• 4	Hex.bolt			1617 1641 01	•• 1	Insulation	
1 600	0333 3220 00	• 4	Lockwasher			1617 1642 00	•• 1	Insulation	
1 610	0300 0274 64	• 4	Washer		5 150	1617 2361 00	• 1	Insulation	
1 620	0147 1323 03	• 4	Bolt		5 160	1624 2452 00	• 1	Insulation	
1 630	0300 0276 47	• 4	Washer		5 165	1624 2455 00	• 1	Insulation	
1 640	1079 2263 02	• 2	Tap screw		5 170	1624 2386 00	• 1	Insulation	
2 120	1624 2451 00	• 2	Insulation		6 010		• 1	Refrigerant compressor	
2 150	1617 0092 03	• 1	Ring			1624 2295 05		GA 37 VSD ID 170 200V/50Hz	
2 151	1617 0315 00	• 1	Ring (all)			1624 2295 03		GA 37 VSD ID 170 200V/60Hz	
3 010	1617 1269 00	• AR	Freon gas			1624 2295 05		GA 37 VSD ID 170 230V/50Hz	
	1624 2274 80	• 1	Heat exchanger			1624 2295 03		GA 37 VSD ID 170 230V/60Hz	
3 020	1624 2274 00	•• 1	Heat exchanger			1624 2295 04		GA 37 VSD ID 170 380V/60Hz	
3 021	1624 2411 00	•• 1	Label			1619 7767 33		GA 37 VSD ID 170 500V/50Hz	
3 025	0147 1247 03	• 1	Hex.bolt			1619 7767 30		GA 37 VSD ID 170 575V/60Hz	
3 030		•	Pipe clamp			1624 2295 04		GA 45 VSD ID 170 380V/60Hz	
	0346 1000 41	• 1	500V/50Hz			1624 2295 06		GA 45 VSD ID 170 400V/50Hz	
	0346 1000 41	• 2	Others			1624 2295 04		GA 45 VSD ID 170 460V/60Hz	
3 050		•	Screw			1619 7767 33		GA 45 VSD ID 170 500V/50Hz	
	1079 2263 01	• 1	500V/50Hz			1619 7767 30		GA 45 VSD ID 170 575V/60Hz	
	1079 2263 01	• 2	Others			1624 2295 04		GA 55 VSD ID 170 380V/60Hz	
3 070	0346 1000 37	• 1	Pipe clamp			1624 2295 06		GA 55 VSD ID 170 400V/50Hz	
3 080	0301 2327 00	• 1	Washer			1624 2295 04		GA 55 VSD ID 170 460V/60Hz	
3 090	0333 3220 00	• 1	Lockwasher			1619 7767 33		GA 55 VSD ID 170 500V/50Hz	
3 100	1624 2290 00	• 1	Condenser			1619 7767 30		GA 55 VSD ID 170 575V/60Hz	
3 110	0147 1247 03	• 6	Bolt		6 011	0333 3227 00	• 4	Lockwasher	
3 130	0300 0274 64	• 6	Washer		6 020		•	Bolt	
3 150	1624 2293 00	• 1	Filter dryer			1619 5337 03	• 3	575V/60Hz	
3 160	0226 3343 07	• 1	Tapping screw			0147 1331 03	• 4	Others	
3 161	0348 0101 13	• 3	Cable tie		6 030	0300 8019 00	• 4	Washer	
3 180	1617 1625 00	• 1	Liquid separator		6 040		•	Lockwasher	
3 190	0697 9809 10	• 1	Locknut			0333 3214 00	• 2	200V/50Hz	
3 200	0301 2335 00	• 1	Washer			0333 3214 00	• 2	200V/60Hz	
3 210	0348 0110 03	• 1	Anchor			0333 3214 00	• 2	230V/50Hz	
3 230	1079 9901 09	• 1	Label			0333 3214 00	• 2	230V/60Hz	
3 240	0333 3227 00	• 1	Lockwasher			0333 3214 00	• 1	380V/60Hz	
4 012		• 1	Pipe assy			0333 3214 00	• 1	400V/50Hz	
	1624 2420 80		500V/50Hz			0333 3214 00	• 2	460V/60Hz	
	1624 2420 80		575V/60Hz			0333 3214 00	• 1	500V/50Hz	
	1624 2384 80		Others			0333 3214 00	• 1	575V/60Hz	



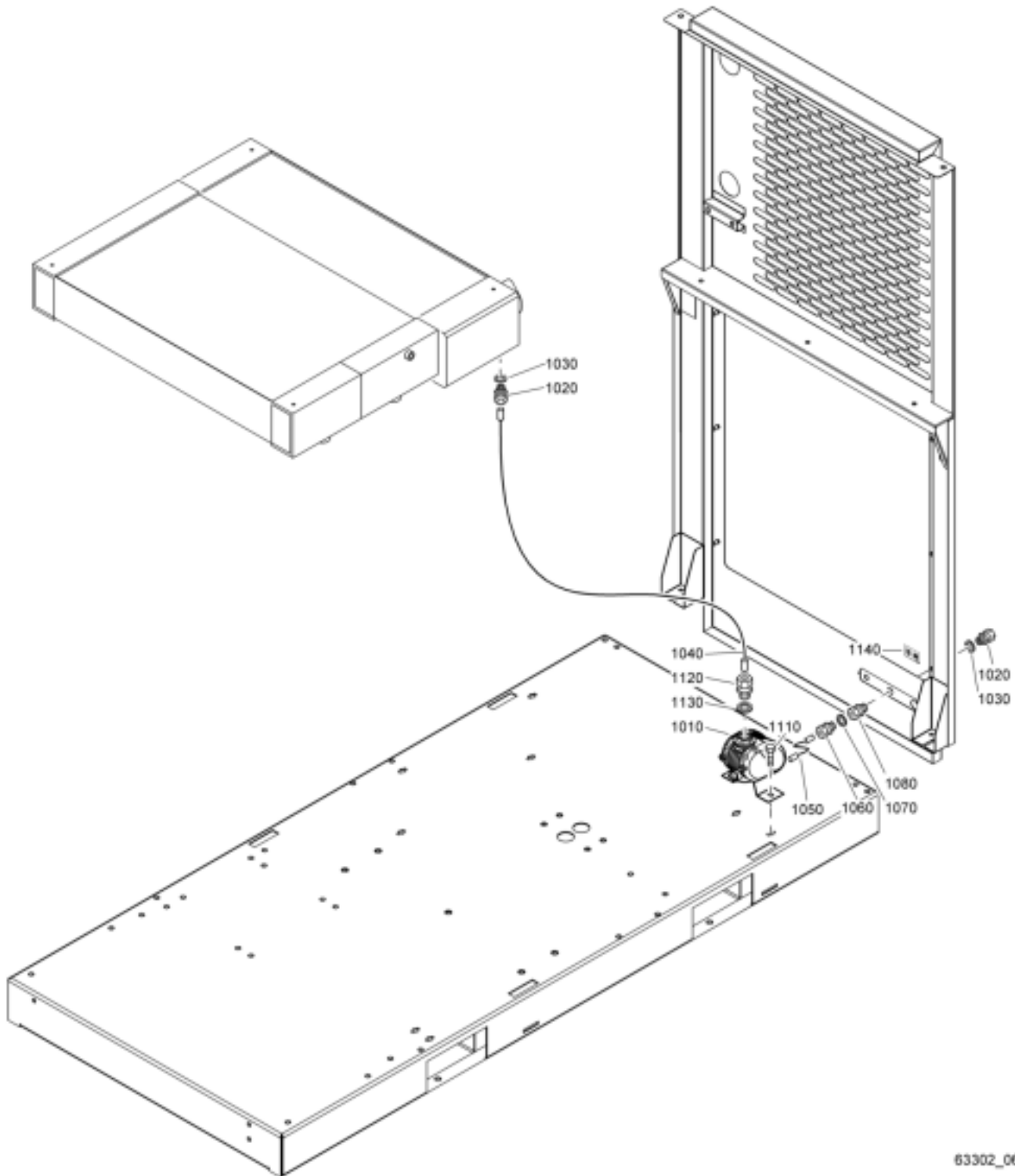
Air dryer - Full Feature - GA 37 VSD 200-230V, -380V/60Hz, -500V/50Hz,
-575V/60Hz - GA 45 VSD - GA 55 VSD

12

Ref.	Partnumber	Qty	Name	Remarks	Ref.	Partnumber	Qty	Name	Remarks
6041		• 4	Lockwasher			0333 3214 00	1	460V/60Hz	
	0333 3214 00		400V/50Hz			0333 3214 00	2	500V/50Hz	
6050		•	Washer			0333 3214 00	2	575V/60Hz	
	0301 2315 00	2	200V/50Hz		6280		•	Washer	
	0301 2315 00	2	200V/60Hz			0301 2315 00	1	200V/50Hz	
	0301 2315 00	2	230V/50Hz			0301 2315 00	2	200V/60Hz	
	0301 2315 00	2	230V/60Hz			0301 2315 00	1	230V/50Hz	
	0301 2315 00	2	380V/60Hz			0301 2315 00	2	230V/60Hz	
	0301 2315 00	2	400V/50Hz			0301 2315 00	2	380V/60Hz	
	0301 2315 00	2	460V/60Hz			0301 2315 00	1	400V/50Hz	
	0301 2315 00	1	500V/50Hz			0301 2315 00	2	460V/60Hz	
	0301 2315 00	1	575V/60Hz			0301 2315 00	2	500V/50Hz	
6060	1088 1001 01	• 3	Warning mark			0301 2315 00	2	575V/60Hz	
6070		• 1	Fan assembly		7030		• 1	Crankcase heater	
	1617 2057 80		200V/50Hz			1624 2313 80		200V/50Hz	
	1617 2581 80		200V/60Hz			1624 2313 80		200V/60Hz	
	1617 2057 80		230V/50Hz			1624 2313 80		230V/50Hz	
	1617 2581 80		230V/60Hz			1624 2313 80		230V/60Hz	
	1617 2057 80		380V/60Hz			1624 2313 80		380V/60Hz	
	1617 2057 80		400V/50Hz			1624 2313 80		400V/50Hz	
	1617 2581 80		460V/60Hz			1624 2313 80		460V/60Hz	
	1617 2582 80		500V/50Hz			1624 2365 80		500V/50Hz	
	1617 2582 80		575V/60Hz			1624 2365 80		575V/60Hz	
6080	1503 0786 00	• 1	Rotation arrow			1088 0015 02	•• 1	Connector plug	
6090	0147 1326 03	• 4	Bolt				•• 1	Clamp	
6100	0300 8019 00	• 4	Washer			1624 2389 00		200V/50Hz	
6123	0348 0101 13	• 10	Cable tie			1624 2389 00		200V/60Hz	
6130		• 1	Temperature sensor			1624 2389 00		230V/50Hz	
	1617 3077 83		575V/60Hz			1624 2389 00		230V/60Hz	
	1617 3077 85		Others			1624 2389 00		380V/60Hz	
6165	0226 3256 00	• 2	Screw			1624 2389 00		400V/50Hz	
6200	1089 9139 04	• 1	Fan switch			1624 2389 00		460V/60Hz	
6210	0348 0111 06	• 1	Anchor			1088 0015 14	•• 2	Pin contact	
6230	0226 3343 07	• 2	Tapping screw		7200		• 1	Wiring	
6231	0348 0111 06	• 1	Anchor			1624 2360 80		200V/50Hz	
6250	1619 5703 00	• 1	High pressure switch			1624 2362 80		200V/60Hz	
6260	0226 3216 00	• 2	Tapping screw			1624 2360 80		230V/50Hz	
6270		•	Lockwasher			1624 2362 80		230V/60Hz	
	0333 3214 00	1	200V/50Hz			1624 2360 80		380V/60Hz	
	0333 3214 00	1	200V/60Hz			1624 2362 80		400V/50Hz	
	0333 3214 00	1	230V/50Hz			1624 2362 80		460V/60Hz	
	0333 3214 00	1	230V/60Hz			1624 2360 80		500V/50Hz	
	0333 3214 00	1	380V/60Hz			1624 2362 80		575V/60Hz	
	0333 3214 00	2	400V/50Hz		7210	1624 2361 00	•• 1	Plate	

13

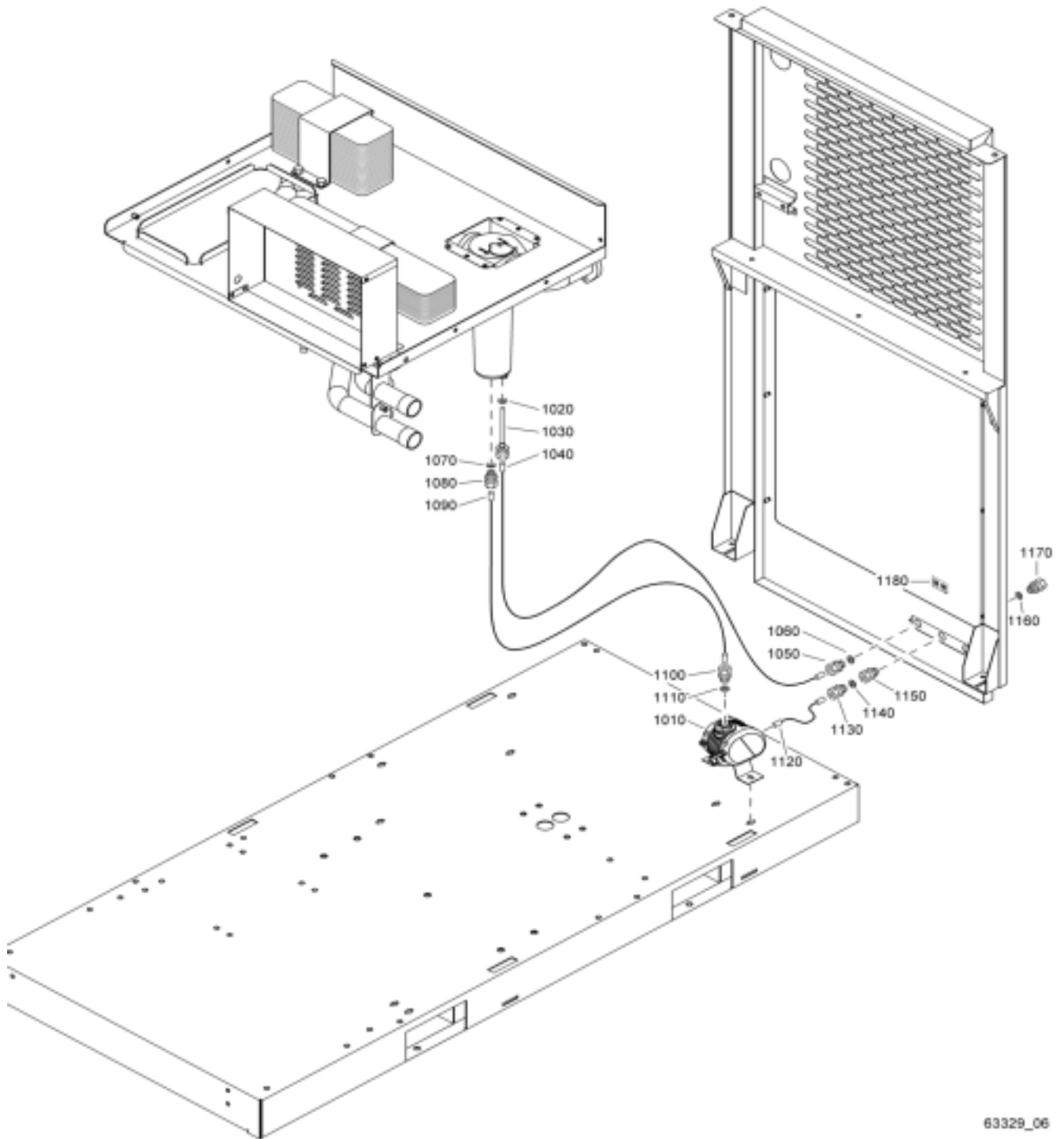
Drain system - Pack - GA (A)



63302_06

Ref.	Partnumber	Qty	Name	Remarks	Ref.	Partnumber	Qty	Name	Remarks
1010	1622 3798 81	1	Drain assembly		1070	0661 1000 38	1	Seal washer	
1020	0581 0000 71	2	Pipe coupling		1080	0581 0000 87	1	Pipe coupling	
1030	0661 1000 39	2	Seal washer		1110	0147 1963 08	2	Hexagon bolt	
1040	0070 6002 13	AR	Plastic tube		1120	0581 0000 73	1	Pipe coupling	
1050	0070 6002 05	AR	Plastic tube		1130	0661 1000 39	1	Seal washer	
1060	0581 0000 35	1	Coupling		1140	1079 9915 89	1	Label	

Drain system - Pack - GA (W)



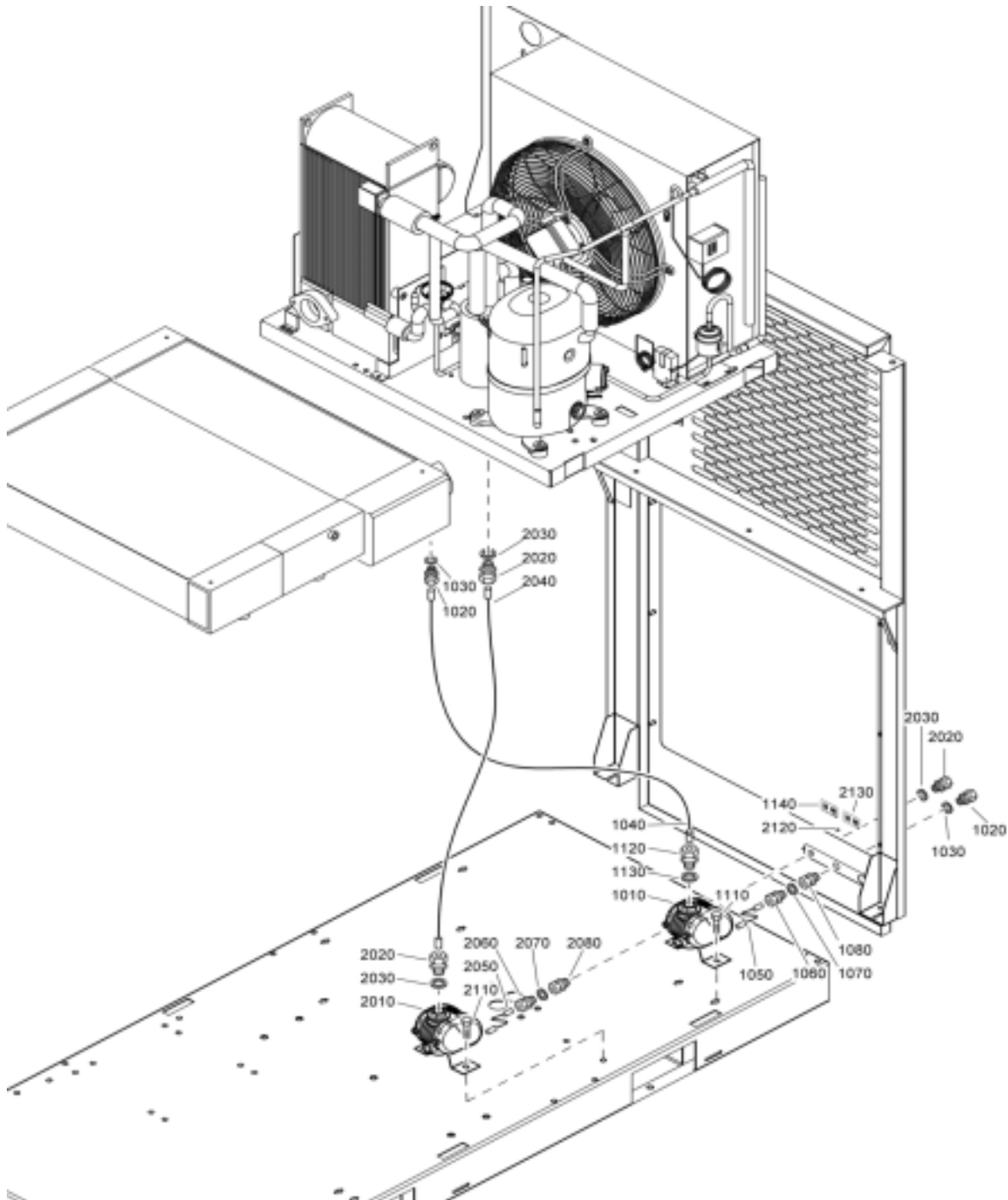
63329_06

Ref.	Partnumber	Qty	Name	Remarks	Ref.	Partnumber	Qty	Name	Remarks
1010	1622 3798 81	1	Drain assembly		1100	0581 0000 73	1	Pipe coupling	
1020	0661 1000 38	1	Seal washer		1110	0661 1000 39	1	Seal washer	
1030	1613 8084 00	1	Pipe coupling		1120	0070 6002 05	AR	Plastic tube	
1040	0070 6002 03	AR	Tube		1130	0581 0000 35	1	Coupling	
1050	0581 0000 73	1	Pipe coupling		1140	0661 1000 38	1	Seal washer	
1060	0661 1000 39	1	Seal washer		1150	0581 0000 87	1	Pipe coupling	
1070	0661 1000 39	1	Seal washer		1160	0661 1000 38	1	Seal washer	
1080	0581 0000 73	1	Pipe coupling		1170	0581 0000 35	1	Coupling	
1090	0070 6002 06	AR	Plastic tube		1180	1079 9915 89	1	Label	

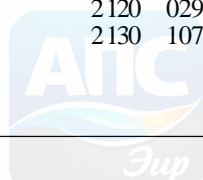


15

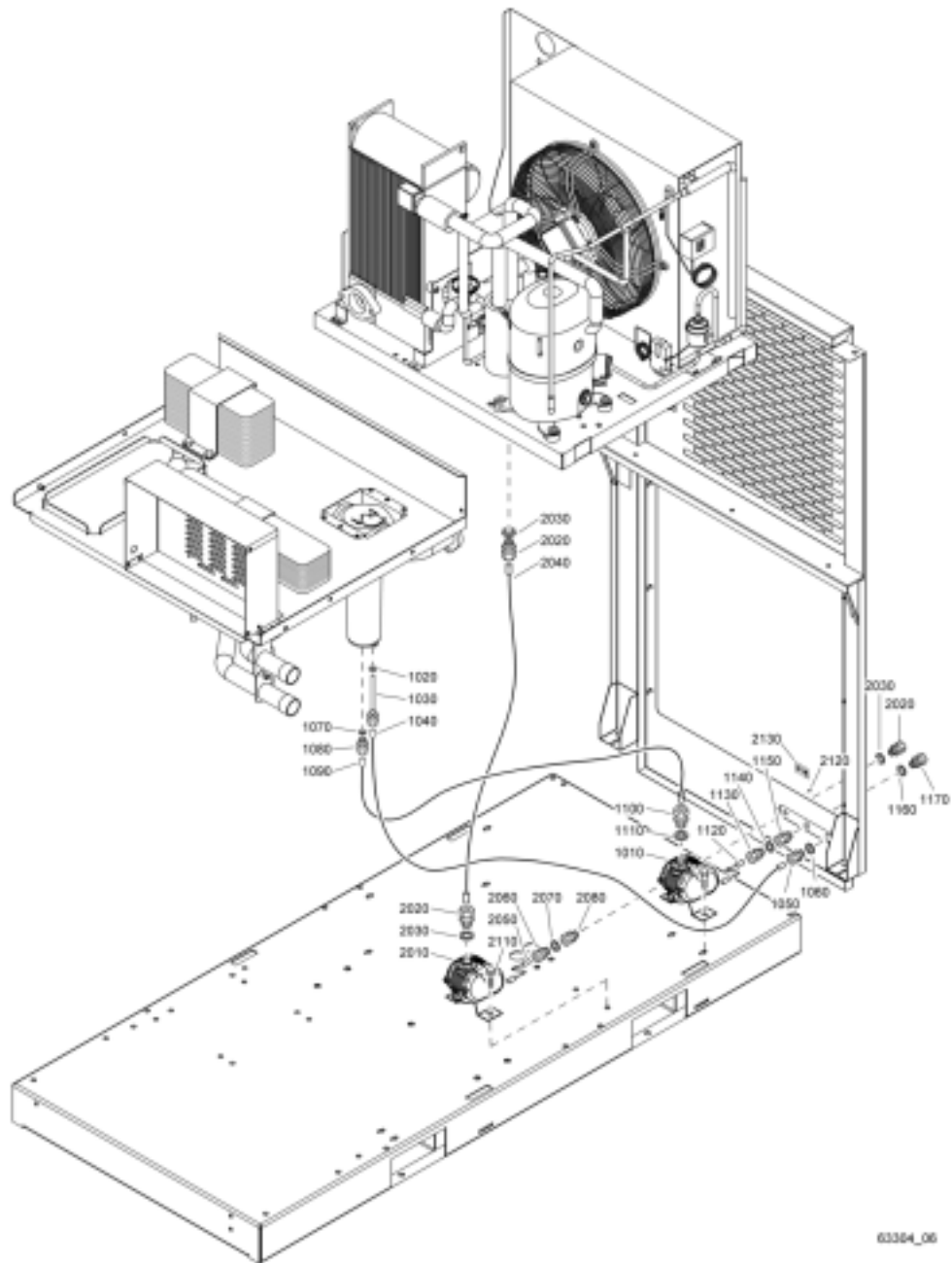
Drain system - Full Feature - GA (A)



Ref.	Partnumber	Qty	Name	Remarks	Ref.	Partnumber	Qty	Name	Remarks
1010	1622 3798 81	1	Drain assembly		2010	1622 3798 81	1	Drain assembly	
1020	0581 0000 71	2	Pipe coupling		2020	0581 0000 71	2	Pipe coupling	
1030	0661 1000 39	2	Seal washer		2030	0661 1000 39	2	Seal washer	
1040	0070 6002 13	AR	Plastic tube		2040	0070 6002 13	AR	Plastic tube	
1050	0070 6002 05	AR	Plastic tube		2050	0070 6002 05	AR	Plastic tube	
1060	0581 0000 35	1	Coupling		2060	0581 0000 35	1	Coupling	
1070	0661 1000 38	1	Seal washer		2070	0661 1000 38	1	Seal washer	
1080	0581 0000 87	1	Pipe coupling		2080	0581 0000 87	1	Pipe coupling	
1110	0147 1963 08	2	Hexagon bolt		2110	0147 1963 08	2	Hexagon bolt	
1120	0581 0000 73	1	Pipe coupling		2120	0298 1000 43	2	Blind rivet nut	
1130	0661 1000 39	1	Seal washer		2130	1079 9915 89	1	Label	
1140	1079 9915 89	1	Label						



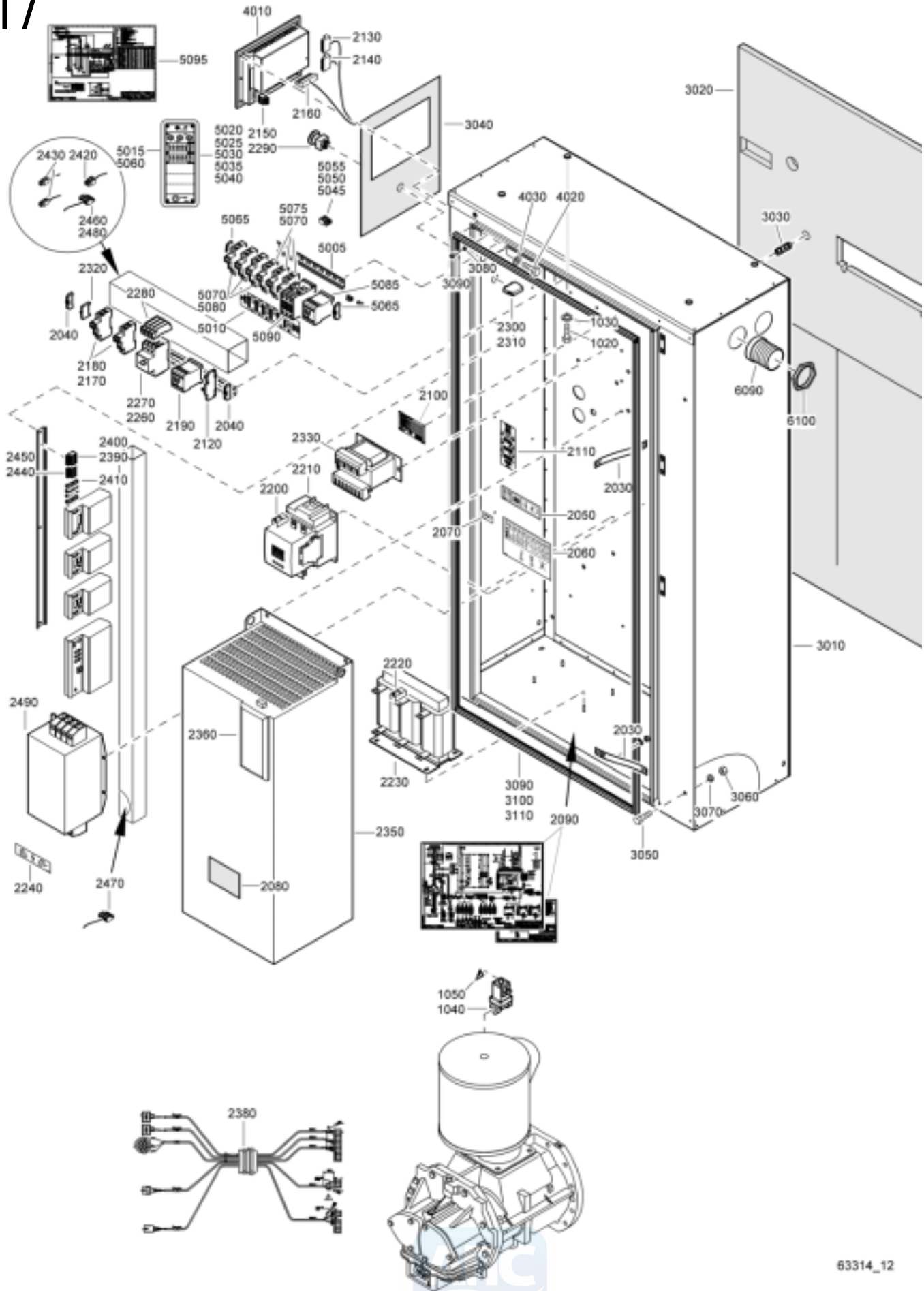
Drain system - Full Feature - GA (W)



63364_06

Ref.	Partnumber	Qty	Name	Remarks	Ref.	Partnumber	Qty	Name	Remarks
1010	1622 3798 81	1	Drain assembly		1150	0581 0000 87	1	Pipe coupling	
1020	0661 1000 38	1	Seal washer		1160	0661 1000 38	1	Seal washer	
1030	1613 8084 00	1	Pipe coupling		1170	0581 0000 35	1	Coupling	
1040	0070 6002 03	AR	Tube		2010	1622 3798 81	1	Drain assembly	
1050	0581 0000 73	1	Pipe coupling		2020	0581 0000 71	2	Pipe coupling	
1060	0661 1000 39	1	Seal washer		2030	0661 1000 39	2	Seal washer	
1070	0661 1000 39	1	Seal washer		2040	0070 6002 13	AR	Plastic tube	
1080	0581 0000 73	1	Pipe coupling		2050	0070 6002 05	AR	Plastic tube	
1090	0070 6002 06	AR	Plastic tube		2060	0581 0000 35	1	Coupling	
1100	0581 0000 73	1	Pipe coupling		2070	0661 1000 38	1	Seal washer	
1110	0661 1000 39	1	Seal washer		2080	0581 0000 87	1	Pipe coupling	
1120	0070 6002 05	AR	Plastic tube		2110	0147 1963 08	2	Hexagon bolt	
1130	0581 0000 35	1	Coupling		2120	0298 1000 43	2	Blind rivet nut	
1140	0661 1000 38	1	Seal washer		2130	1079 9915 89	1	Label	

17

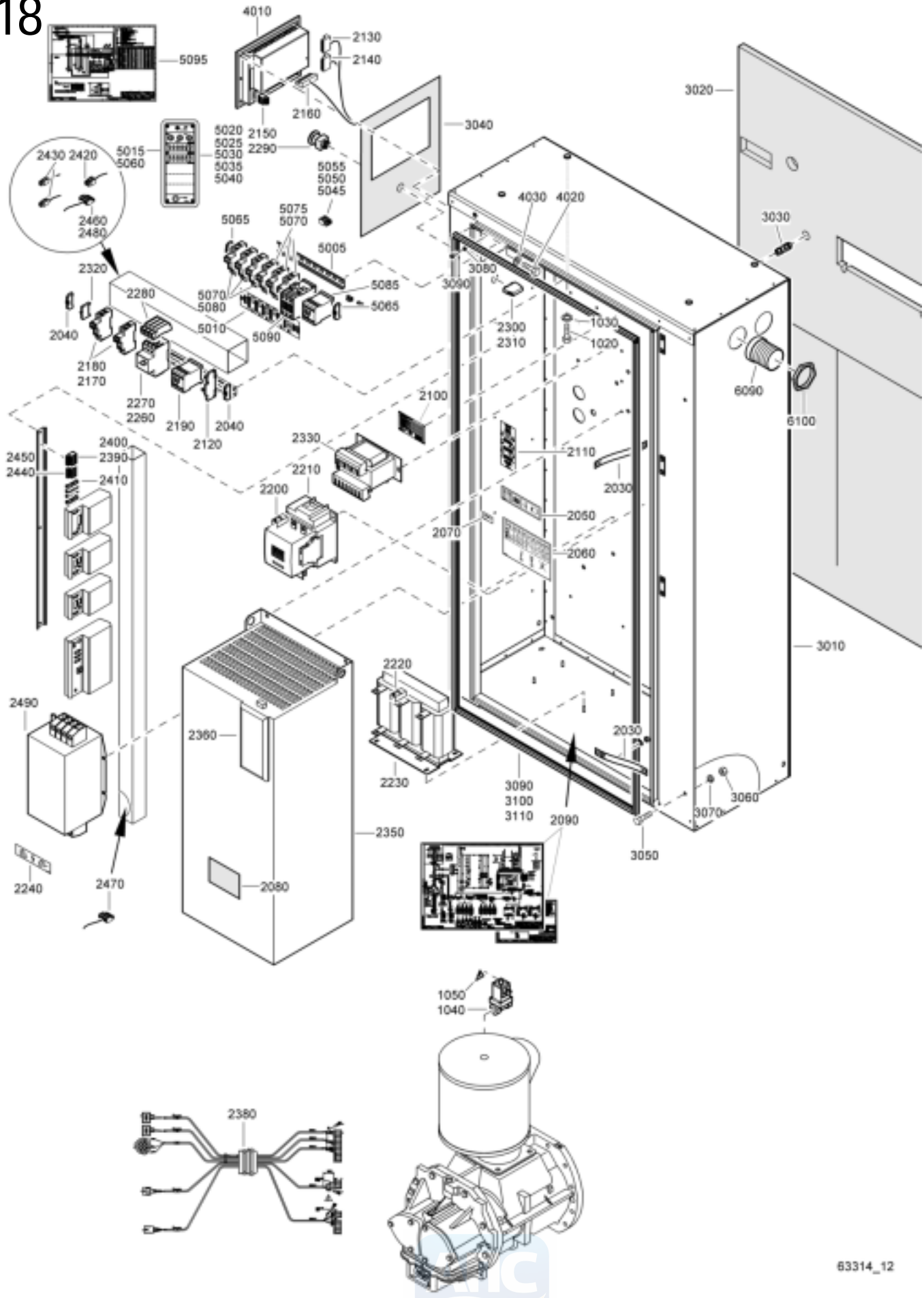


63314_12

Convertor cubicle - 380V/60Hz IEC, -400V/50Hz IEC, -460V/60Hz CSA/UL

Ref.	Partnumber	Qty	Name	Remarks	Ref.	Partnumber	Qty	Name	Remarks
1020	0147 1963 08	4	Hexagon bolt		2410	1088 0031 18	• 4	Adaptor	
1030	0301 2315 00	4	Washer		2420	1088 0037 31	• 1	Connector	
1040	1089 0580 03	1	Solenoid valve		2430	1088 0037 30	• 2	Connector	
1050	1088 1001 01	1	Warning mark		2440	1088 0031 86	• 1	Connector	
		1	Convertor cubicle		2450	1088 0037 06	• 1	Connector	
	1900 2075 01		GA 37 VSD		2460	1088 0037 33	• 1	Connector	
	1900 2075 02		GA 45 VSD		2470	1088 0037 34	• 1	Connector	
	1900 2075 03		GA 55 VSD		2480	1088 0031 56	• 1	Connector	
2030	1089 9345 02	• 2	HF-screen		2490		• 1	RFI filter	
2040	1089 0506 30	• 2	End bracket			1089 9339 13		GA 37 VSD	
2050	1079 9901 68	• 1	Warning label			1089 9339 13		GA 45 VSD	
2060	1079 9906 09	• 1	Label			1089 9339 14		GA 55 VSD	
2070	1079 9911 01	• 1	Label			1622 3115 80	• 1	Cubicle assembly	
2080	1079 9901 61	• 1	Decal		3010	1622 3115 00	•• 1	Cubicle	
2090	9820 3549 03	• 1	Service diagram		3020	1622 3115 10	•• 1	Silencing foam	
2100	1614 8949 00	• 1	Data plate		3030	1622 3115 51	•• 2	Assy earth bolt	
2110	1079 9924 26	• 1	Label fuse values		3040	1622 3783 00	•• 1	Decal	
2120	1089 0506 75	• 1	Terminal		3050	0147 1325 03	•• 2	Bolt	
2130	1088 0031 49	• 1	Connector		3060	0333 3127 00	•• 2	Lock washer	
2140	1088 0031 29	• 1	Connector		3070	0333 3120 00	•• 2	Washer	
2150	1089 0691 01	• 1	Connection		3080	0160 0996 83	•• 2	Bolt	
2160	1088 0031 13	• 1	Connector		3090	1202 6584 01	•• AR	Seal	
2170	1089 9168 26	• 2	Fuse link		3100	1202 6584 01	•• AR	Seal	
2180	1089 0612 01	• 2	Fuse holder		3110	1202 6584 01	•• AR	Seal	
2190	1089 9415 24	• 1	Contacto		4010	1900 0710 12	1	Regulator	
2200	1089 9362 02	• 6	Terminal cover		4020	0147 1169 03	4	Hexagon bolt	
2210		• 1	Contacto		4030	0301 2315 00	4	Washer	
	1089 9415 61		GA 37 VSD		5005	0090 1400 02	1	Rail	
	1089 9415 61		GA 45 VSD		5010		1	Label fuse values	
	1089 9415 63		GA 55 VSD			1079 9924 96		CSA/UL	
2220	1089 9362 01	• 6	Terminal cover		5015	1088 0029 17	1	Housing	
2230		• 1	Choke		5020	1088 0029 58	6	Crimp contact	
	1089 9338 89		GA 37 VSD		5025	1088 0029 63	8	Crimp contact	
	1089 9338 89		GA 45 VSD		5030	1088 0029 82	1	Crimp terminal	
	1089 9338 81		GA 55 VSD		5035	1088 0029 86	3	Crimp contact	
2240	1613 3431 00	• 1	Label		5040	1088 0029 88	2	Crimp terminal	
2260	1089 9416 01	• 1	Aux.contact block		5045	1088 0031 42	1	Connector	
2270		• 1	Circuit breaker		5050	1088 0031 53	1	Connector	
	1089 9416 64		GA 37 VSD		5055	1088 0031 55	1	Connector	
	1089 9416 68		GA 45 VSD		5060	1088 0036 12	1	Frame	
	1089 9416 68		GA 55 VSD		5065	1089 0506 30	2	End bracket	
2280	1089 9416 75	• 1	Connection block		5070	1089 0612 01	6	Fuse holder	
2290	1089 0362 51	• 1	Push button		5075		3	Fuse	
2300	1089 0362 50	• 1	Contact block			1089 0612 28		IEC	
2310	1089 0362 58	• 1	Contact block			1089 9168 62		CSA/UL	
2320	1089 0506 52	• 1	Terminal switch		5080		3	Fuse link	
2330	1089 9436 44	• 1	Transformer			1089 0612 24		IEC	
2350		• 1	Frequency convertor			1089 9168 02		CSA/UL	
	1089 9338 25		GA 37 VSD		5085	1089 9415 14	1	Contacto	
	1089 9338 41		GA 45 VSD		5090		1	Contacto	
	1089 9338 36		GA 55 VSD			1089 9415 24		IEC	
2360	2908 0094 00	• 1	Bop control panel			1089 9415 25		CSA/UL	
2380	1622 3124 10	• 1	Wire harness		5095	9820 3549 02	1	Dryer service diagram	
2390	1088 0031 87	• 1	Connector		6090	1622 2817 01	2	Adaptor	
2400	1088 0037 07	• 1	Connector		6100	0697 9809 19	2	Lock nut	

18

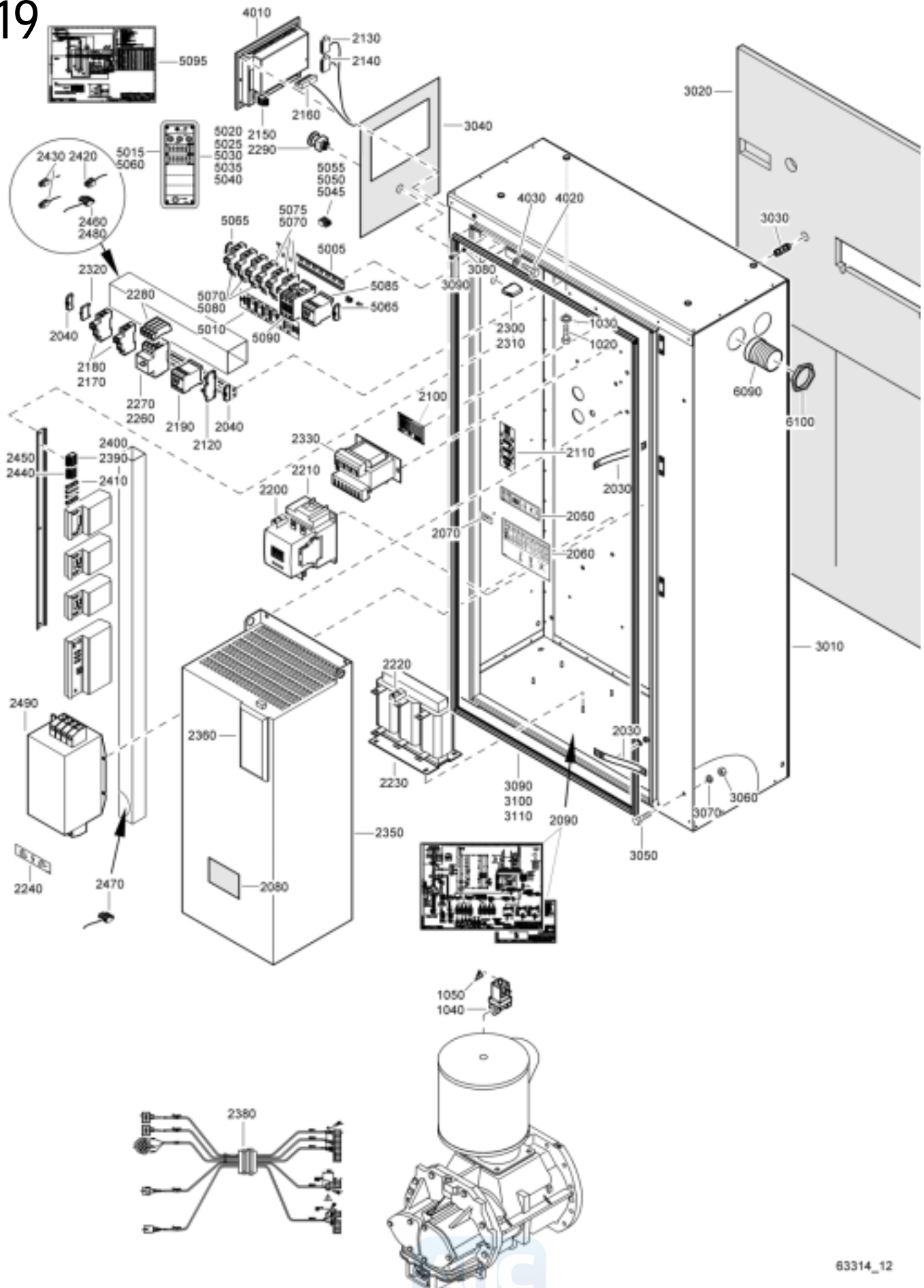


63314_12

 Converter cubicle - 500V/50Hz, -575V/60Hz

Ref.	Partnumber	Qty	Name	Remarks	Ref.	Partnumber	Qty	Name	Remarks
1020	0147 1963 08	4	Hexagon bolt		2430	1088 0037 30	• 2	Connector	
1030	0301 2315 00	4	Washer		2440	1088 0031 86	• 1	Connector	
1040	1089 0580 03	1	Solenoid valve		2450	1088 0037 06	• 1	Connector	
1050	1088 1001 01	1	Warning mark		2460	1088 0037 33	• 1	Connector	
		1	Converter cubicle		2470	1088 0037 34	• 1	Connector	
	1900 2075 04		GA 37 VSD		2480	1088 0031 56	• 1	Connector	
	1900 2075 06		GA 45 VSD		2490	1089 9339 20	• 1	RFI - filter	
	1900 2075 08		GA 55 VSD			1622 3115 80	• 1	Cubicle assembly	
2030	1089 9345 02	• 2	HF-screen		3010	1622 3115 00	•• 1	Cubicle	
2040	1089 0506 30	• 2	End bracket		3020	1622 3115 10	•• 1	Silencing foam	
2050	1079 9901 68	• 1	Warning label		3030	1622 3115 51	•• 2	Assy earth bolt	
2060	1079 9906 09	• 1	Label		3040	1622 3783 00	•• 1	Decal	
2070	1079 9911 01	• 1	Label		3050	0147 1325 03	•• 2	Bolt	
2080	1079 9901 61	• 1	Decal		3060	0333 3127 00	•• 2	Lock washer	
2090	9820 3549 03	• 1	Service diagram		3070	0333 3120 00	•• 2	Washer	
2100	1614 8949 00	• 1	Data plate		3080	0160 0996 83	•• 2	Bolt	
2110	1079 9924 26	• 1	Label fuse values		3090	1202 6584 01	•• AR	Seal	
2120	1089 0506 75	• 1	Terminal		3100	1202 6584 01	•• AR	Seal	
2130	1088 0031 49	• 1	Connector		3110	1202 6584 01	•• AR	Seal	
2140	1088 0031 29	• 1	Connector		4010	1900 0710 12	1	Regulator	
2150	1089 0691 01	• 1	Connection		4020	0147 1169 03	4	Hexagon bolt	
2160	1088 0031 13	• 1	Connector		4030	0301 2315 00	4	Washer	
2170	1089 9168 26	• 2	Fuse link		5005	0090 1400 02	1	Rail	
2180	1089 0612 01	• 2	Fuse holder		5010		1	Label fuse values	
2190	1089 9415 24	• 1	Contact			1079 9924 96		CSA/UL	
2200	1089 9362 02	• 6	Terminal cover		5015	1088 0029 17	1	Housing	
2210	1089 9415 61	• 1	Contact		5020	1088 0029 58	6	Crimp contact	
2220	1089 9362 01	• 6	Terminal cover		5025	1088 0029 63	8	Crimp contact	
2230	1089 9338 89	• 1	Choke		5030	1088 0029 82	1	Crimp terminal	
2240	1613 3431 00	• 1	Label		5035	1088 0029 86	3	Crimp contact	
2260	1089 9416 01	• 1	Aux.contact block		5040	1088 0029 88	2	Crimp terminal	
2270		• 1	Circuit breaker		5045	1088 0031 42	1	Connector	
	1089 9416 63		GA 37 VSD		5050	1088 0031 53	1	Connector	
	1089 9416 66		GA 45 VSD		5055	1088 0031 55	1	Connector	
	1089 9416 66		GA 55 VSD		5060	1088 0036 12	1	Frame	
2280	1089 9416 75	• 1	Connection block		5065	1089 0506 30	2	End bracket	
2290	1089 0362 51	• 1	Push button		5070	1089 0612 01	6	Fuse holder	
2300	1089 0362 50	• 1	Contact block		5075		3	Fuse	
2310	1089 0362 58	• 1	Contact block			1089 0612 28		IEC	
2320	1089 0506 52	• 1	Terminal switch			1089 9168 62		CSA/UL	
2330	1089 9436 44	• 1	Transformer		5080		3	Fuse link	
2350		• 1	Frequency converter			1089 0612 24		IEC	
	1089 9338 27		GA 37 VSD			1089 9168 02		CSA/UL	
	1089 9338 28		GA 45 VSD		5085	1089 9415 14	1	Contact	
	1089 9338 26		GA 55 VSD		5090		1	Contact	
2360	2908 0094 00	• 1	Bop control panel			1089 9415 24		IEC	
2380	1622 3124 10	• 1	Wire harness			1089 9415 25		CSA/UL	
2390	1088 0031 87	• 1	Connector		5095	9820 3549 02	1	Dryer service diagram	
2400	1088 0037 07	• 1	Connector		6090	1622 2817 01	2	Adaptor	
2410	1088 0031 18	• 4	Adaptor		6100	0697 9809 19	2	Lock nut	
2420	1088 0037 31	• 1	Connector						

19



63314_12

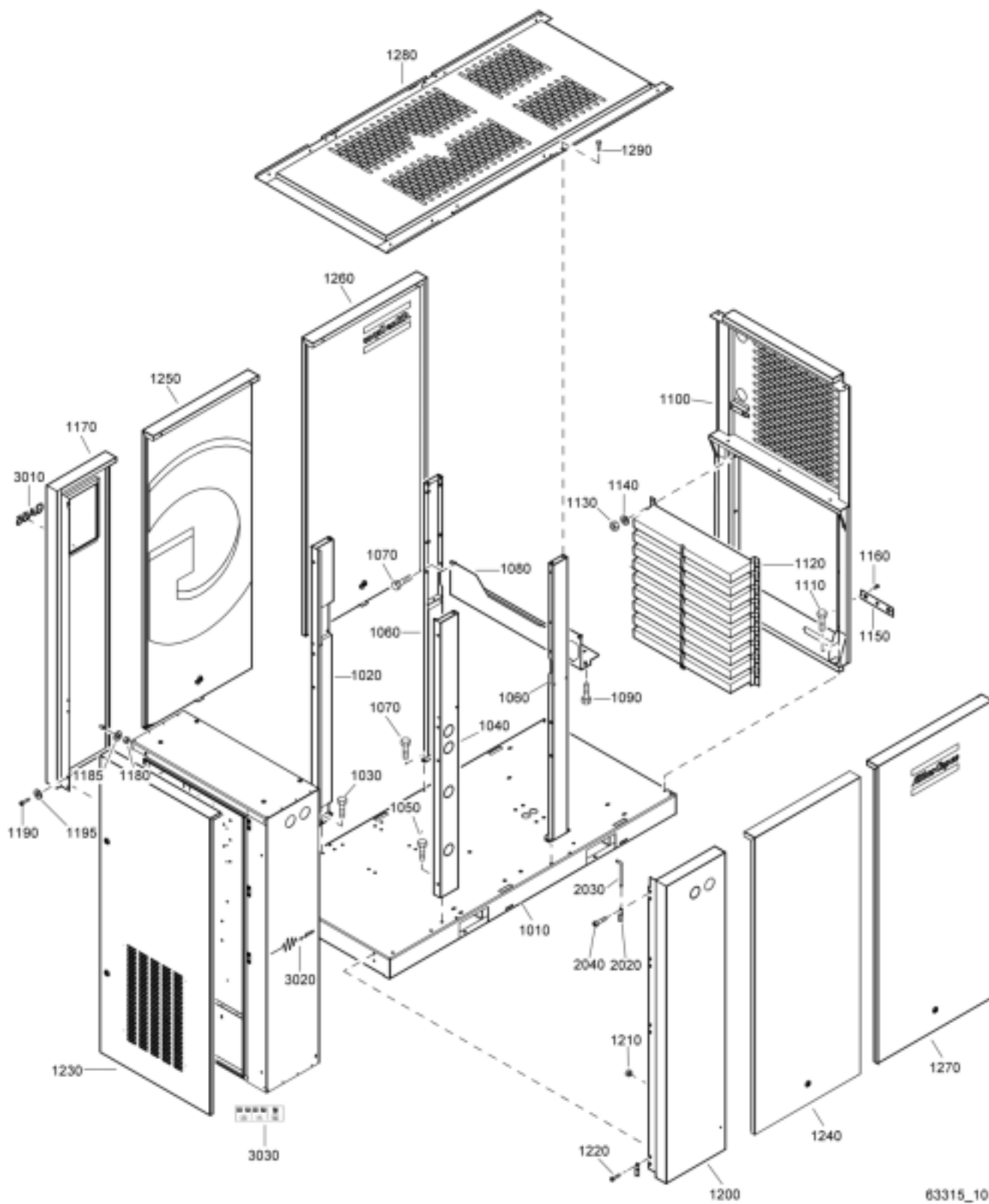


Convertor cubicle - 200V/50Hz IEC, 200V/60Hz
IEC, 230V/60Hz CSA/UL

19

Ref.	Part number	Qty	Name	Remarks	Ref.	Part number	Qty	Name	Remarks
1020	0147 1963 08	4	Hexagon bolt		2460	1088 0037 33	• 1	Connector	
1030	0301 2315 00	4	Washer		2470	1088 0037 34	• 1	Connector	
1040	1089 0580 03	1	Solenoid valve		2480	1088 0031 56	• 1	Connector	
1050	1088 1001 01	1	Warning mark		2490	1089 9219 11	• 1	Net filter	
		1	Convertor cubicle			1622 3115 80	• 1	Cubicle assembly	
	1900 2075 05		GA 37 VSD		3010	1622 3115 00	•• 1	Cubicle	
2030	1089 9345 02	• 2	HF - screen		3020	1622 3115 10	•• 1	Silencing foam	
2040	1089 0506 30	• 2	End bracket		3030	1622 3115 51	•• 2	Assy earth bolt	
2050	1079 9901 68	• 1	Warning label		3040	1622 3783 00	•• 1	Decal	
2060	1079 9906 09	• 1	Label		3050	0147 1325 03	•• 2	Bolt	
2070	1079 9911 01	• 1	Label		3060	0333 3127 00	•• 2	Lock washer	
2080	1079 9901 61	• 1	Decal		3070	0333 3120 00	•• 2	Washer	
2090	9820 3549 03	• 1	Service diagram		3080	0160 0996 83	•• 2	Bolt	
2100	1614 8949 00	• 1	Data plate		3090	1202 6584 01	•• AR	Seal	
2110	1079 9924 26	• 1	Label fuse values		3100	1202 6584 01	•• AR	Seal	
2120	1089 0506 75	• 1	Terminal		3110	1202 6584 01	•• AR	Seal	
2130	1088 0031 49	• 1	Connector		4010	1900 0710 12	1	Regulator	
2140	1088 0031 29	• 1	Connector		4020	0147 1169 03	4	Hexagon bolt	
2150	1089 0691 01	• 1	Connection		4030	0301 2315 00	4	Washer	
2160	1088 0031 13	• 1	Connector		5005	0090 1400 02	1	Rail	
2170	1089 9168 26	• 2	Fuse link		5010		1	Label fuse values	
2180	1089 0612 01	• 2	Fuse holder			1079 9924 96		CSA/UL	
2190	1089 9415 24	• 1	Contacto		5015	1088 0029 17	1	Housing	
2200	1089 9362 02	• 6	Terminal cover		5020	1088 0029 58	6	Crimp contact	
2210	1089 9415 81	• 1	Contacto		5025	1088 0029 63	8	Crimp contact	
2220	1089 9362 01	• 6	Terminal cover		5030	1088 0029 82	1	Crimp terminal	
2230	1089 9338 81	• 1	Choke		5035	1088 0029 86	3	Crimp contact	
2240	1613 3431 00	• 1	Label		5040	1088 0029 88	2	Crimp terminal	
2260	1089 9416 01	• 1	Aux.contact block		5045	1088 0031 42	1	Connector	
2270	1089 9416 67	• 1	Circuit breaker		5050	1088 0031 53	1	Connector	
2280	1089 9416 75	• 1	Connection block		5055	1088 0031 55	1	Connector	
2290	1089 0362 51	• 1	Push button		5060	1088 0036 12	1	Frame	
2300	1089 0362 50	• 1	Contact block		5065	1089 0506 30	2	End bracket	
2310	1089 0362 58	• 1	Contact block		5070	1089 0612 01	6	Fuse holder	
2320	1089 0506 52	• 1	Terminal switch		5075		3	Fuse	
2330	1089 9436 44	• 1	Transformer			1089 0612 28		IEC	
2340	9824 0736 05	• 1	Parameterset			1089 9168 62		CSA/UL	
2350	1089 9338 46	• 1	Frequency converter		5080		3	Fuse link	
2360	2908 0094 00	• 1	Bop control panel			1089 0612 24		IEC	
2380	1622 3124 10	• 1	Wire harness			1089 9168 02		CSA/UL	
2390	1088 0031 87	• 1	Connector		5085	1089 9415 14	1	Contacto	
2400	1088 0037 07	• 1	Connector		5090		1	Contacto	
2410	1088 0031 18	• 4	Adaptor			1089 9415 24		IEC	
2420	1088 0037 31	• 1	Connector			1089 9415 25		CSA/UL	
2430	1088 0037 30	• 2	Connector		5095	9820 3549 02	1	Dryer service diagram	
2440	1088 0031 86	• 1	Connector		6090	1622 2817 01	2	Adaptor	
2450	1088 0037 06	• 1	Connector		6100	0697 9809 19	2	Lock nut	

20



63315_10

Bodywork

20

Ref.	Partnumber	Qty	Name	Remarks	Ref.	Partnumber	Qty	Name	Remarks
1010	1622 3104 00	1	Frame		1260	1622 3131 80	1	Door left	2)
1020	1622 3126 80	1	Beam	1)2)		1622 3633 80	• 1	Lock	
1030	0147 1963 08	2	Hexagon bolt			0690 1132 01	• 1	House mark	
1040	1622 3127 80	1	Beam	1)2)	1270	1622 3132 80	1	Door right	
1050	0147 1963 08	2	Hexagon bolt			1622 3633 80	• 1	Lock	
1060	1622 3145 80	2	Beam	2)		0690 1132 01	• 1	House mark	
1070	0147 1963 08	8	Hexagon bolt		1280	1622 3121 80	1	Roof	2)
1080	1622 3134 00	1	Z-plate		1290	0147 1963 08	10	Hexagon bolt	
1090	0147 1963 08	4	Hexagon bolt		2020	1621 0606 00	4	Hinge	
1100	1622 3128 00	1	Panel inlet		2030	1621 0607 00	4	Pin	
1110	0147 1963 08	4	Hexagon bolt		2040	0211 1249 03	8	Cap screw	
1120	1622 4617 80	1	Baffle	3)	3010		1	Label	
1130	0266 2110 00	6	Nut			1622 4631 33		GA37VSD	
1140	0301 2335 00	6	Washer			1622 4631 34		GA37VSD FF	
1150	1613 9613 02	1	Plate			1622 4631 35		GA45VSD	
1160	0226 3343 59	2	Tapping screw			1622 4631 36		GA45VSD FF	
1170	1622 3114 80	1	Panel			1622 4631 37		GA55VSD	
	1613 9846 01	• 1	Decal			1622 4631 38		GA55VSD FF	
1180	0266 2110 00	1	Nut		3020	1079 9922 37	1	N-drive label	
1185	0301 2335 00	1	Washer		3030	1079 9905 38	1	Decal	
1190	0211 1249 03	2	Hex socket screw						
1195	0301 2321 00	2	Washer		1-3)			Lined with / Bekleed met / Beklädd med / Ausgekleidet mit / Garnir de / Rivestido de / Allineato con / Foret med / Revestido com / Kledd med / Vuorattu :	
1200	1622 3122 00	1	Panel cubicle					1) Foam: 0395 6001 64(AR) 20 x 2040 x 1650	
1210	0291 1110 00	1	Lock nut					2) Foam: 0395 6001 67(AR) 30 x 2040 x 1650	
1220	0211 1243 03	6	Hex socket screw					3) Foam: 0395 6001 69(AR) 50 x 2040 x 1650	
1230	1622 3130 80	1	Cubicle door						
	1622 3633 81	• 2	Lock						
1240	1622 3133 80	1	Door middle	2)					
	1622 3633 80	• 1	Lock						
1250	1622 3133 81	1	Door middle	2)					
	1622 3633 80	• 1	Lock						



Ref.	Partnumber	Qty	Name	Remarks	Ref.	Partnumber	Qty	Name	Remarks
	2901 0245 01	1	Oil can			2901 1619 00	1	Motor overhaul kit GA 30-45	
			ROTO-INJECTFLUID 51			0335 2173 00	• 1	Circlips	
	2901 0522 00	1	Oil can			0508 1100 34	• 1	Bearing	
			ROTO-INJECTFLUID 201			1622 4628 00	• 1	Lipseal kit	
	2901 0045 01	1	Oil barrel			1622 3106 00	• 1	Bushing	
			ROTO-INJECTFLUID 2091			1622 3740 00	• 1	Drain nipple	
						0502 1092 56	• 1	Bearing	
	2901 1453 00	1	Minimum Pressure Valve kit			2901 1620 00	1	Motor overhaul kit GA 55-75	
	0663 7139 00	• 1	O-ring			0335 2178 00	• 1	Circlips	
	1613 3223 01	• 1	Washer			0508 1100 98	• 1	Bearing	
	1622 3662 00	• 1	Spring			1616 5517 00	• 1	Lipseal kit	
	0663 2101 00	• 1	O-ring			1622 3665 00	• 1	Bushing	
	1622 3664 00	• 1	Spring			1622 3740 00	• 1	Drain nipple	
	0335 3111 00	• 1	Circlips			0502 1092 55	• 1	Bearing	
	0663 3120 00	• 1	O-ring			2901 1622 00	1	Unloader valve kit	
	2901 0570 00	1	Element mounting kit			1613 6818 01	• 1	Valve	
	0663 2109 78	• 1	O-ring			1622 3173 00	• 1	Tape	
	0337 2293 23	• 1	Parallel key			1622 3170 00	• 1	Bushing	
	0663 2111 46	• 1	O-ring			1622 3168 00	• 1	Ring	
	1622 0977 00	• 1	Gasket			0663 7149 00	• 1	O-ring	
	0663 2107 37	• 1	O-ring			0160 0996 86	• 2	Cross rec screw	
	2901 0503 01	1	Check valve kit			0301 2318 00	• 2	Washer	
	0661 1000 40	• 1	Seal washer			1622 3694 80	• 1	Blow off valve	
	0663 2107 77	• 1	O-ring			0663 2111 55	• 1	O-ring	
	0663 7136 00	• 1	O-ring			1622 3182 00	• 1	Guide	
	0663 7138 00	• 1	O-ring			1622 3183 00	• 1	Seal	
	1613 8906 00	• 1	Valve (check valve)			1622 3184 00	• 1	Bushing	
	1613 5165 00	• 1	Spring			1622 3185 00	• 1	Spring	
	2901 0217 01	1	Oil stop valve kit			0661 1000 40	• 1	Seal washer	
	0663 7135 00	• 1	O-ring			0663 7150 00	• 1	O-ring	
	0663 3120 00	• 1	O-ring			0663 7150 00	• 1	O-ring	
	0661 1000 39	• 1	Seal washer			0211 1957 64	• 2	Bolt	
	1613 2357 00	• 1	Compr.spring						
	0661 1000 44	• 1	Seal washer						
	0661 1000 43	• 1	Seal washer						
	0663 2101 97	• 1	O-ring						
	0663 2100 24	• 1	O-ring						
	0663 2101 80	• 1	O-ring						
	1613 8907 00	• 1	Valve body						





+7(916) 033-41-41



apsair@apsair.ru

apsair.ru



<https://apsair.ru>