

# Atlas Copco

## Oil-injected compressors



**GA 18VSD+ (23/08/2013 - ...), GA 22VSD+ (23/08/2013 - ...), GA 26VSD+, GA 30VSD+ (23/08/2013 - ...), GA 37VSD+ (09/09/2013 - ...)**

## Parts List



<https://apsair.ru>

# Atlas Copco

Oil-injected compressors

**GA 18VSD+ (23/08/2013 - ...), GA 22VSD+  
(23/08/2013 - ...), GA 26VSD+, GA 30VSD+  
(23/08/2013 - ...), GA 37VSD+ (09/09/2013 - ...)**

## Parts List

Edition: 3

09/11/2015  
No. 2930 7123 64



<https://apsair.ru>



Instructions .....	3
<b>1</b> Service Kits .....	18
<b>2</b> Drive arrangement GA 18VSD+, GA 22VSD+, GA 26VSD+, GA 30VSD+.....	22
<b>3</b> Drive arrangement GA 37VSD+.....	26
<b>4</b> Lubrication.....	30
<b>5</b> Air system.....	32
<b>5.1</b> Air system - Air inlet.....	32
<b>5.2</b> Air system - Air receiver (04/10/2013 - 09/03/2015).....	34
<b>5.3</b> Air system - Air receiver (10/03/2015 - ...).....	38
<b>5.4</b> Air system - Thermostat.....	42
<b>6</b> Air flow - Cooling system GA 18VSD+, GA 22VSD+, GA 26VSD+.....	44
<b>7</b> Air flow - Cooling system GA 30VSD+, GA 37VSD+.....	46
<b>8</b> Fan module.....	48
<b>9</b> Air outlet Pack - 400V - 50Hz, 380V/460V - 60Hz.....	50
<b>10</b> Air outlet Pack - 200V/230V - 50/60Hz, 500V - 50Hz, 575V - 60Hz.....	52
<b>11</b> Air outlet Full Feature - 200V/230V/400V/500V - 50Hz, 400V+N - 50Hz, 200V/230V/380V/460V/575V - 60Hz.....	54
<b>12</b> Air outlet Full Feature - 200V/380V - 60Hz.....	64
<b>13</b> Air outlet - Ball valves.....	66
<b>14</b> Air dryer ID 73.....	68
<b>15</b> Air dryer ID 96.....	74
<b>16</b> Air dryer ID 96LPS.....	80
<b>17</b> Air dryer - Cubicle.....	84
<b>18</b> Regulation.....	86
<b>18.1</b> Regulation and cubicle assembly (20/02/2013 - 30/11/2014).....	86
<b>18.2</b> Regulation and cubicle assembly (01/12/2014 - ...).....	90
<b>18.3</b> Cubicle components (20/02/2013 - 30/11/2014).....	94
<b>18.4</b> Cubicle components (01/12/2014 - ...).....	98
<b>18.5</b> Cubicle box and Elektronikon GA 18 VSD+, GA 22 VSD+, GA 26 VSD+ (20/02/2013 - 30/11/2014).....	104
<b>18.6</b> Cubicle box and Elektronikon GA 18 VSD+, GA 22 VSD+, GA 26 VSD+ (01/12/2014 - ...).....	106
<b>18.7</b> Cubicle box and Elektronikon GA 30 VSD+, GA 37 VSD+ (20/02/2013 - 30/10/2014).....	108
<b>18.8</b> Cubicle box and Elektronikon GA 30 VSD+, GA 37 VSD+ (01/12/2014 - ...).....	110
<b>19</b> Bodywork Pack.....	112
<b>20</b> Bodywork Full Feature/ Pack Trafo.....	114
<b>21</b> Markings Pack.....	118
<b>22</b> Markings Full Feature.....	120
<b>23</b> Standard option.....	122
<b>23.1</b> DD+/PD+ filters (18/12/2014 - 01/11/2015).....	122
<b>23.2</b> DD+ filter.....	124

<b>23.3</b>	DD+/PD+ filter - Parts.....	126
<b>23.4</b>	UD+ filter.....	128
<b>23.5</b>	UD+ filter - Parts.....	130
<b>23.6</b>	Pre-filter.....	132
<b>23.7</b>	Heavy duty filter.....	134
<b>23.8</b>	IT ancillaries.....	136
<b>23.9</b>	Energy recovery Pack.....	138
<b>23.10</b>	Energy recovery Full Feature.....	140
<b>23.11</b>	Freeze protection.....	142
<b>23.12</b>	Smart link.....	144
<b>23.13</b>	Dryer bypass.....	146
<b>23.14</b>	Main switch GA 18 VSD+, GA 22 VSD+, GA 26 VSD+, GA 30 VSD+ - 380V/400V/460V, GA 18 VSD+, GA 22 VSD+, GA 26 VSD+, GA 30 VSD+, GA 37 VSD+ - 500V/575V, GA 18 VSD+, GA 22 VSD+, GA 26 VSD+, GA 30 VSD+ - 400V+N.....	148
<b>23.15</b>	Main switch GA 37 VSD+ - 380-460V/60Hz.....	150

## RU - русский

### 1 ЗАКАЗ ДЕТАЛЕЙ

Всегда указывайте номер по каталогу, наименование и количество требуемых позиций, а также тип и серийный номер машины.

### 2 ИНФОРМАЦИЯ

**Ref** - Ссылочный номер: соотносит деталь из списка со схемой. На схеме показаны только детали со ссылочным номером. Детали без ссылочного номера приведены на схемах только для демонстрации всего узла в сборе.

**Part number** - Номер детали, указываемый при заказе запасных частей.

Если номер детали не указан, то компонент недоступен в качестве отдельной запасной части.

Для деталей, входящих в состав комплекта, будут приведены номера этих комплектов, упомянутых строчкой ниже. Чтобы узнать полный состав комплекта см. раздел "1 – Service kits".

Деталь, перед номером которой стоит черная точка, входит в состав изображенного выше узла.

Remarks: дополнительная информация о номере приведенной выше детали.

Substituted by: номер изображенной выше детали был заменен другим номером по причине обновления или переработки.

**Qty** - Количество: указывает количество деталей относительно соответствующего ссылочного номера. „AR“ значит „As required“: количество или номер будут определены.

**Name** - Наименование детали: перевод англоязычных наименований можно найти в документе "Glossary of part names" (Словарь наименований деталей).

**Validity** - Определяет временные рамки и тип/версию машины, в которой используется деталь. Пояснение кодов, используемых в данной графе, можно найти в списке обозначений внизу страницы. Информация о совместимости, упомянутая в данной главе, актуальна для всей главы. Знак плюса в примечании о совместимости следует принимать за 'и', запятое — за 'или'. Скобки группируют коды совместимости по принципу, схожему с математическим. См. пример:

'PRESS:8BAR + (FREQ:50HZ+MOVOL:500V , FREQ:60HZ+MOVOL:575V)' применима в машинах с рабочим давлением 8 бар, частотой 50 Гц и напряжением источника питания 500 В или рабочим давлением 8 бар, частотой 60 Гц и напряжением источника питания 575 В.

**EL** – Ссылка на схему или компонент электрического шкафа.

**R.** – Примечания: дополнительная информация о детали. Пояснения приведены внизу страницы.



**1630 0542 00 - CAN ROTO-FOODGRADE FLUID 20L**

Qty	Name
• 200	OIL ROTO-FOODGRADE FLUID
• 1	DECAL FRONT ROTO-FOODGRADE 20L
• 1	DECAL BACK ROTO-FOODGRADE 20L

**1630 0833 00 - OIL ROTO-FOODGRADE FLUID 5L**

Qty	Name
• 50	OIL ROTO-FOODGRADE FLUID
• 1	DECAL FRONT ROTO-FOODGRADE 5L
• 1	DECAL BACK ROTO-FOODGRADE 5L

**2901 0245 01 - OIL CAN 5L ROTO-INJECTFLUID**

Qty	Name
• 50	OIL ROTO-INJECT FLUID
• 1	OIL-LABEL
• 1	LABEL DATA
• 1	LABEL
• 1	LABEL DATA

**2901 0522 00 - OIL CAN 20L ROTO-INJECTFLUID**

Qty	Name
• 200	OIL ROTO-INJECT FLUID
• 1	OIL-LABEL
• 1	LABEL DATA
• 1	LABEL
• 1	LABEL DATA

**2901 1700 00 - OIL CAN 5L RXD**

Qty	Name
• 50	OIL ROTO-XTEND DUTY FLUID
• 1	LABEL DATA
• 1	LABEL DATA
• 0	OVERVIEW SERVICE KITS

**2901 1701 00 - OIL CAN 20L RXD**

Qty	Name
• 200	OIL ROTO-XTEND DUTY FLUID
• 1	LABEL DATA
• 1	LABEL DATA
• 0	OVERVIEW SERVICE KITS

**2901 2006 11 - KIT NON RETURN VALVE**

Qty	Name
• 1	O-RING
• 1	O-RING
• 1	VALVE NON RET
• 1	COUPL. ELBOW 1/8 INCH -6MM
• 1	TUBE
• 1	KIT VALVE NON RETURN



**2901 2006 12 - KIT CUBICLE FILTERS**

	Qty	Name
•	2	FILTER
•	1	KIT FILTER

**2901 2006 50 - AIR/OIL FILTER KIT 4000H**

	Qty	Name
•	1	O-RING 49.5X3
•	1	FILTER OIL 4000H
•	1	O-RING
•	1	SEPARATOR STARBOX
•	1	FILTER ELEMENT
•	1	AIR/OIL FILTER KIT 4000HRS

**2901 2006 51 - AIR/OIL FILTER KIT 8000H**

	Qty	Name
•	1	O-RING 49.5X3
•	1	OIL FILTER SPARE 8000HRS
•	1	O-RING
•	2	SEPARATOR STARBOX
•	2	FILTER ELEMENT
•	1	AIR/OIL FILTER KIT 4000HRS

**2901 2006 52 - INLET VALVE KIT**

	Qty	Name
•	1	VALVE RELIEF
•	1	VALVE REGUL.
•	1	O-RING
•	1	WASHER PLAIN
•	1	LOCK NUT M6
•	1	KIT VALVE INLET

**2901 2006 53 - MPV & THERMOSTAT KIT 8000H**

	Qty	Name
•	1	O-RING 34X1.5
•	1	VALVE 71 DEGREE CELCIUS
•	1	ASSEMBLY VALVE
•	1	SPRING
•	1	O-RING
•	1	PISTON
•	1	SPRING COMPRESSION
•	1	O-RING
•	1	TUBE GREASE
•	1	KIT VALVE

**2901 2006 54 - DRIVE TRAIN MAINTENANCE 24000H**

	Qty	Name
•	1	O-RING 49.5X3
•	1	O-RING
•	2	O-RING
•	2	O-RING
•	1	O-RING
•	1	CONNECTOR ASSEMBLY KIT

*continues on next page ...*

... continued from previous page

### 2901 2006 54 - DRIVE TRAIN MAINTENANCE 24000H

Qty	Name
• 2	SCREW SET
• 1	BALL BEARING
• 7	NUT
• 1	O-RING
• 1	O-RING
• 1	SPRING COMPRESSION
• 1	KIT ELEMENT

### 2901 2006 56 - SEAL KIT INSTR BLOCK

Qty	Name
• 1	O-RING
• 2	O-RING
• 1	O-RING
• 2	SEAL WASHER
• 1	O-RING 34X1.5
• 1	O-RING
• 2	FITTING PIPE
• 1	FITTING PIPE
• 1	O-RING
• 1	PLUG G1/4 FKM SEALING
• 1	FITTING PIPE THREADED ELBOW 90
• 2	O-RING
• 1	KIT VALVE DISCHARGE

### 2901 2006 57 - PREV MAINTENANCE KIT PACK

Qty	Name
• 1	AIR/OIL FILTER KIT 4000H
• 1	KIT CUBICLE FILTERS
• 1	MPV & THERMOSTAT KIT 8000H
• 1	KIT NON RETURN VALVE
• 1	DRAIN AUTOMATIC

### 2901 2006 58 - PREV MAINTANANCE KIT FF

Qty	Name
• 1	AIR/OIL FILTER KIT 4000H
• 1	KIT CUBICLE FILTERS
• 1	MPV & THERMOSTAT KIT 8000H
• 1	KIT NON RETURN VALVE
• 1	DRAIN AUTOMATIC
• 1	DRAIN

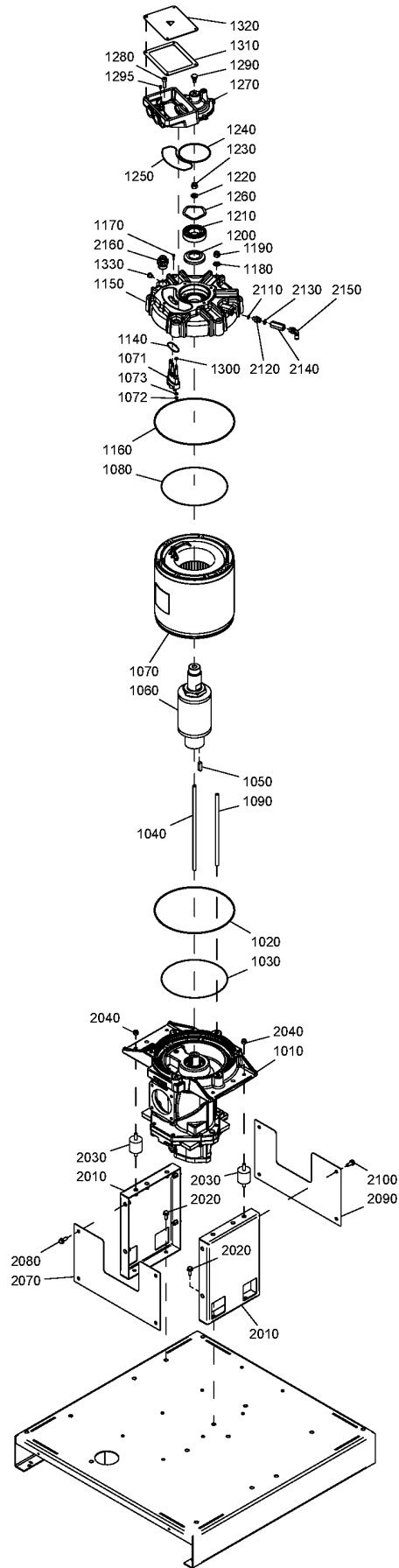
### 2901 2006 59 - PREV MAINTENANCE KIT PACK

Qty	Name
• 1	AIR/OIL FILTER KIT 8000H
• 1	KIT CUBICLE FILTERS
• 1	MPV & THERMOSTAT KIT 8000H
• 1	KIT NON RETURN VALVE
• 1	DRAIN AUTOMATIC

**2901 2006 60 - PREV MAINTANANCE KIT FF**

---

	<b>Qty</b>	<b>Name</b>
•	1	AIR/OIL FILTER KIT 8000H
•	1	KIT CUBICLE FILTERS
•	1	MPV & THERMOSTAT KIT 8000H
•	1	KIT NON RETURN VALVE
•	1	DRAIN AUTOMATIC
•	1	DRAIN



## 2 - Drive arrangement GA 18VSD+, GA 22VSD+, GA 26VSD+, GA 30VSD+

MODEL:GA18VP\_13 , MODEL:GA22VP\_13 , MODEL:GA26VP\_13 , MODEL:GA30VP\_13

Ref	Part Number	Qty	Name	Validity	R.
	8092 3723 28	1	DRIVE SET GA 18 VSD+	MODEL:GA18VP_13	
	8092 3723 36	1	DRIVE SET GA 22 VSD+	MODEL:GA22VP_13	
	8092 3723 44	1	DRIVE SET GA 26 VSD+	MODEL:GA26VP_13	
	8092 3723 51	1	DRIVE SET GA 30 VSD+	MODEL:GA30VP_13	
<b>1010</b>		1	ELEMENT	(06/06/2013 - ...)	1)
<b>1020</b>		1	O-RING	(20/02/2013 - ...)	1)
	Service kits:	2901 2006 54	DRIVE TRAIN MAINTENANCE 24000H		
<b>1030</b>		1	O-RING	(20/02/2013 - ...)	1)
	Service kits:	2901 2006 54	DRIVE TRAIN MAINTENANCE 24000H		
<b>1040</b>	1625 4618 00	1	STUD	(20/02/2013 - 09/10/2013)	1)
<b>1040</b>	1625 4618 01	1	STUD	(10/10/2013 - ...)	1)
<b>1050</b>	0337 0009 45	1	KEY	(20/02/2013 - ...)	1)
<b>1060</b>		1	ROTOR MOTOR	(20/02/2013 - ...)	1)
<b>1070</b>		1	STATOR	(20/02/2013 - ...) MODEL:GA18VP_13	1)
				(20/02/2013 - ...) MODEL:GA22VP_13	1)
				(20/02/2013 - ...) MODEL:GA26VP_13	1)
				(20/02/2013 - ...) MODEL:GA30VP_13	1)
<b>1071</b>	<del>1625 4208 13</del>	1	CONNECTOR ASSY	(06/06/2013 - ...)	
	Substituted by:	2901 2006 21	CONNECTOR ASSEMBLY KIT (quantity: 1)		
	•• 1625 4208 11	3	CONNECTOR PIN	(06/06/2013 - 03/10/2013)	
	••	3	CONNECTOR PIN	(04/10/2013 - ...)	
	Service kits:	2901 2006 54	DRIVE TRAIN MAINTENANCE 24000H		
	•• 0663 7112 00	3	O-RING	(06/06/2013 - 03/10/2013)	
	••	3	O-RING	(04/10/2013 - ...)	
	Service kits:	2901 2006 54	DRIVE TRAIN MAINTENANCE 24000H		
<b>1072</b>	• 0261 1091 58	3	HEXAGON NUT	(20/06/2013 - ...)	
<b>1073</b>	• 0301 2318 00	3	WASHER	(04/10/2013 - ...)	
<b>1080</b>		1	O-RING	(20/02/2013 - ...)	1)
	Service kits:	2901 2006 54	DRIVE TRAIN MAINTENANCE 24000H		
<b>1090</b>	1625 4614 00	6	STUD	(20/02/2013 - 09/10/2013)	1)
<b>1090</b>	1625 4614 01	6	STUD	(10/10/2013 - ...)	1)
<b>1140</b>		1	O-RING	(20/02/2013 - 25/10/2015)	1)
	Service kits:	2901 2006 54	DRIVE TRAIN MAINTENANCE 24000H		
<b>1150</b>	1625 4601 01	1	HOUSING	(20/02/2013 - ...)	1)
<b>1160</b>		1	O-RING	(20/02/2013 - ...)	1)
	Service kits:	2901 2006 54	DRIVE TRAIN MAINTENANCE 24000H		
<b>1170</b>		2	SCREW SET	(20/06/2013 - ...)	1)
	Service kits:	2901 2006 54	DRIVE TRAIN MAINTENANCE 24000H		
<b>1180</b>	0301 2344 00	6	WASHER	(20/02/2013 - ...)	1)
<b>1190</b>		6	LOCK NUT	(20/02/2013 - ...)	1)
	Service kits:	2901 2006 54	DRIVE TRAIN MAINTENANCE 24000H		
<b>1200</b>	1625 4608 00	1	SEAL	(20/02/2013 - ...)	1)
<b>1210</b>		1	BALL BEARING	(20/02/2013 - ...)	1)
	Service kits:	2901 2006 54	DRIVE TRAIN MAINTENANCE 24000H		
<b>1220</b>	<del>0300 0274 38</del>	1	WASHER	(20/02/2013 - 09/02/2014)	1)
	Substituted by:	0301 2344 00	WASHER PLAIN (quantity: 1)		
<b>1220</b>	0301 2344 00	1	WASHER	(10/02/2014 - ...)	1)
<b>1230</b>		1	LOCK NUT	(20/02/2013 - ...)	1)
	Service kits:	2901 2006 54	DRIVE TRAIN MAINTENANCE 24000H		
<b>1240</b>		1	O-RING	(15/08/2013 - 25/10/2015)	1)
	Service kits:	2901 2006 54	DRIVE TRAIN MAINTENANCE 24000H		

### Remarks:

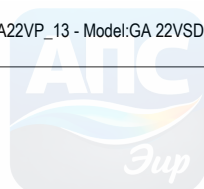
1) These items are available as part of the drive set: for GA 18 VSD+ - 8092 3723 28 for GA 22 VSD+ - 8092 3723 36 for GA 26 VSD+ - 8092 3723 44 for GA 30 VSD+ - 8092 3723 51

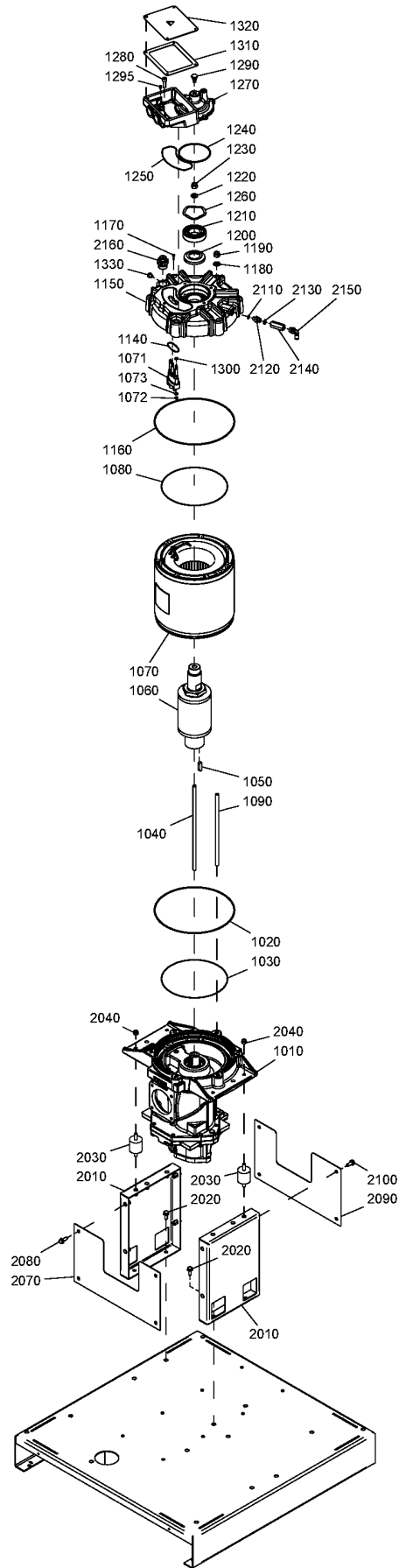
### Legend:

MODEL:GA18VP\_13 - Model:GA 18VSD+  
MODEL:GA30VP\_13 - Model:GA 30VSD+

MODEL:GA22VP\_13 - Model:GA 22VSD+

MODEL:GA26VP\_13 - Model:GA 26VSD+





## 2 - Drive arrangement GA 18VSD+, GA 22VSD+, GA 26VSD+, GA 30VSD+

MODEL:GA18VP\_13 , MODEL:GA22VP\_13 , MODEL:GA26VP\_13 , MODEL:GA30VP\_13

Ref	Part Number	Qty	Name	Validity	R.
1250		1	O-RING	(20/02/2013 - ...)	1)
	Service kits:	2901	2006 54 - DRIVE TRAIN MAINTENANCE 24000H		
1260		1	SPRING	(20/02/2013 - ...)	1)
	Service kits:	2901	2006 54 - DRIVE TRAIN MAINTENANCE 24000H		
1270	1625 4602 00	1	HOUSING BEARING	(20/02/2013 - ...)	1)
1280	0211 1325 03	4	CAP SCREW	(20/02/2013 - ...)	1)
1290	1619 6032 00	1	NIPPLE(SPM)	(20/02/2013 - ...)	1)
1295	0211 1103 92	2	CAP SCREW	(14/10/2013 - ...)	1)
1300	0261 1091 58	3	HEXAGON NUT	(20/06/2013 - ...)	1)
1310	1625 4603 00	1	SEAL GASKET	(20/02/2013 - ...)	1)
1320	1625 4604 80	1	COVER	(20/02/2013 - ...)	1)
1330	0686 3718 14	1	PLUG	(20/02/2013 - ...)	1)
2010	1625 4701 40	2	SUPPORT	(13/05/2013 - ...)	1)
2020	0147 1963 08	4	HEXAGON BOLT	(20/02/2013 - ...)	1)
2030	0392 1100 21	4	BUFFER	(20/02/2013 - 07/11/2013)	1)
2030	0392 1100 44	4	ANTI-VIBRATION PAD	(08/11/2013 - ...)	1)
2040	0291 1128 18	4	LOCK NUT	(20/02/2013 - ...)	1)
2070	1625 4762 30	1	PLATE	(13/05/2013 - ...)	1)
2080	0147 1963 08	4	HEXAGON BOLT	(20/02/2013 - ...)	1)
2090	1625 4762 30	1	PLATE	(13/05/2013 - ...)	1)
2100	0147 1963 08	4	HEXAGON BOLT	(20/02/2013 - ...)	1)
2110		1	O-RING	(20/02/2013 - ...)	1)
	Service kits:	2901	2006 11 - KIT NON RETURN VALVE		
2120	1625 4810 00	1	NOZZLE	(20/02/2013 - ...)	1)
2130		1	O-RING	(20/02/2013 - ...)	1)
	Service kits:	2901	2006 11 - KIT NON RETURN VALVE		
2140	0823 0050 09	1	NON RETURN VALVE	(20/02/2013 - 17/03/2014)	1)
2140		1	NON RETURN VALVE	(18/03/2014 - 25/06/2030)	1)
	Service kits:	2901	2006 11 - KIT NON RETURN VALVE		
2150	0583 8121 00	1	FITTING PIPE	(20/02/2013 - 20/05/2020)	
2150	0583 8121 39	1	ELBOW	(26/06/2015 - ...)	
2160	0580 0017 35	1	FITTING PIPE	(20/02/2013 - 01/10/2014)	1)
2160	1622 4867 11	1	HEXAGON NIPPLE	(02/10/2014 - 29/10/2014)	

### Remarks:

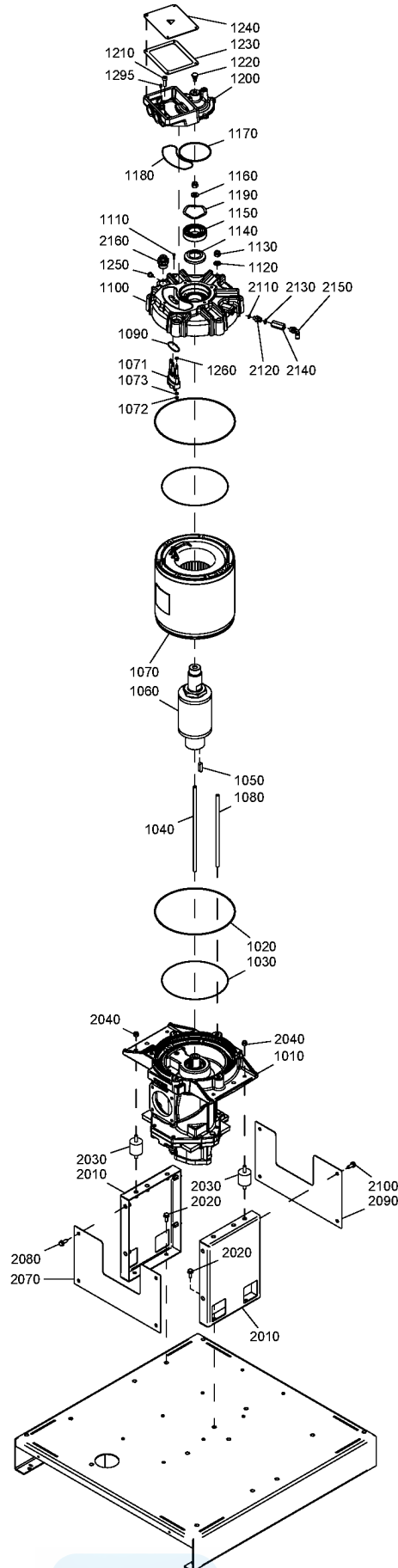
1) These items are available as part of the drive set: for GA 18 VSD+ - 8092 3723 28 for GA 22 VSD+ - 8092 3723 36 for GA 26 VSD+ - 8092 3723 44 for GA 30 VSD+ - 8092 3723 51

### Legend:

MODEL:GA18VP\_13 - Model:GA 18VSD+  
MODEL:GA30VP\_13 - Model:GA 30VSD+

MODEL:GA22VP\_13 - Model:GA 22VSD+

MODEL:GA26VP\_13 - Model:GA 26VSD+



### 3 - Drive arrangement GA 37VSD+

MODEL:GA37VP\_13

Ref	Part Number	Qty	Name	Validity	R.
	8092 3723 69	1	DRIVE SET GA 37 VSD+		
<b>1010</b>		1	ELEMENT	(06/06/2013 - ...)	1)
<b>1020</b>		2	O-RING	(06/06/2013 - ...)	1)
	Service kits:	2901	2006 54 - DRIVE TRAIN MAINTENANCE 24000H		
<b>1030</b>		2	O-RING	(06/06/2013 - ...)	1)
	Service kits:	2901	2006 54 - DRIVE TRAIN MAINTENANCE 24000H		
<b>1040</b>	1625 4618 00	1	STUD	(06/06/2013 - 09/10/2013)	1)
<b>1040</b>	1625 4618 01	1	STUD	(10/10/2013 - ...)	1)
<b>1050</b>	0337 0009 45	1	KEY	(06/06/2013 - ...)	1)
<b>1060</b>		1	ROTOR	(06/06/2013 - ...)	1)
<b>1070</b>		1	STATOR	(06/06/2013 - ...)	1)
<b>1071</b>	• <del>1625 4208 13</del>	1	CONNECTOR ASSY		
	Substituted by:	2901	2006 21 - CONNECTOR ASSEMBLY KIT (quantity: 1)		
	•• 1625 4208 11	3	CONNECTOR PIN	(06/06/2013 - 03/10/2013)	
	••	3	CONNECTOR PIN	(04/10/2013 - ...)	
	Service kits:	2901	2006 54 - DRIVE TRAIN MAINTENANCE 24000H		
	•• 0663 7112 00	3	O-RING	(06/06/2013 - 03/10/2013)	
	••	3	O-RING	(04/10/2013 - ...)	
	Service kits:	2901	2006 54 - DRIVE TRAIN MAINTENANCE 24000H		
<b>1072</b>	• 0261 1091 58	3	HEXAGON NUT	(20/06/2013 - ...)	
<b>1073</b>	• 0301 2318 00	3	WASHER	(04/10/2013 - ...)	
<b>1080</b>	1625 4614 00	6	STUD	(06/06/2013 - 09/10/2013)	1)
<b>1080</b>	1625 4614 01	6	STUD	(10/10/2013 - ...)	1)
<b>1090</b>		1	O-RING	(06/06/2013 - 25/10/2015)	1)
	Service kits:	2901	2006 54 - DRIVE TRAIN MAINTENANCE 24000H		
<b>1100</b>	1625 4601 01	1	HOUSING DRIVE	(06/06/2013 - ...)	1)
<b>1110</b>		2	SCREW SET	(20/06/2013 - ...)	1)
	Service kits:	2901	2006 54 - DRIVE TRAIN MAINTENANCE 24000H		
<b>1120</b>	0301 2344 00	6	WASHER	(06/06/2013 - ...)	1)
<b>1130</b>		7	LOCK NUT	(06/06/2013 - ...)	1)
	Service kits:	2901	2006 54 - DRIVE TRAIN MAINTENANCE 24000H		
<b>1140</b>	1625 4608 00	1	SEAL	(06/06/2013 - ...)	1)
<b>1150</b>		1	BALL BEARING	(06/06/2013 - ...)	1)
	Service kits:	2901	2006 54 - DRIVE TRAIN MAINTENANCE 24000H		
<b>1160</b>	<del>0300 0274 38</del>	1	WASHER	(06/06/2013 - 09/02/2014)	1)
	Substituted by:	0301	2344 00 - WASHER PLAIN (quantity: 1)		
<b>1160</b>	0301 2344 00	1	WASHER	(10/02/2014 - ...)	1)
<b>1170</b>		1	O-RING	(15/08/2013 - 25/10/2015)	1)
	Service kits:	2901	2006 54 - DRIVE TRAIN MAINTENANCE 24000H		
<b>1180</b>		1	O-RING	(06/06/2013 - ...)	1)
	Service kits:	2901	2006 54 - DRIVE TRAIN MAINTENANCE 24000H		
<b>1190</b>		1	SPRING	(06/06/2013 - ...)	1)
	Service kits:	2901	2006 54 - DRIVE TRAIN MAINTENANCE 24000H		
<b>1200</b>	1625 4602 00	1	HOUSING BEARING	(06/06/2013 - ...)	1)
<b>1210</b>	0211 1325 03	4	CAP SCREW	(06/06/2013 - ...)	1)
<b>1220</b>	1619 6032 00	1	NIPPLE(SPM)	(06/06/2013 - ...)	1)
<b>1230</b>	1625 4603 00	1	GASKET	(06/06/2013 - ...)	1)
<b>1240</b>	1625 4604 80	1	COVER	(06/06/2013 - ...)	1)
<b>1250</b>	0686 3718 14	1	PLUG	(06/06/2013 - ...)	1)
<b>1260</b>	0261 1091 58	3	HEXAGON NUT	(02/07/2013 - ...)	1)
<b>1295</b>	0211 1103 92	2	CAP SCREW	(14/10/2013 - ...)	1)
<b>2010</b>	1625 4701 40	2	SUPPORT	(06/06/2013 - ...)	1)
<b>2020</b>	0147 1963 08	4	SCREW	(06/06/2013 - ...)	1)

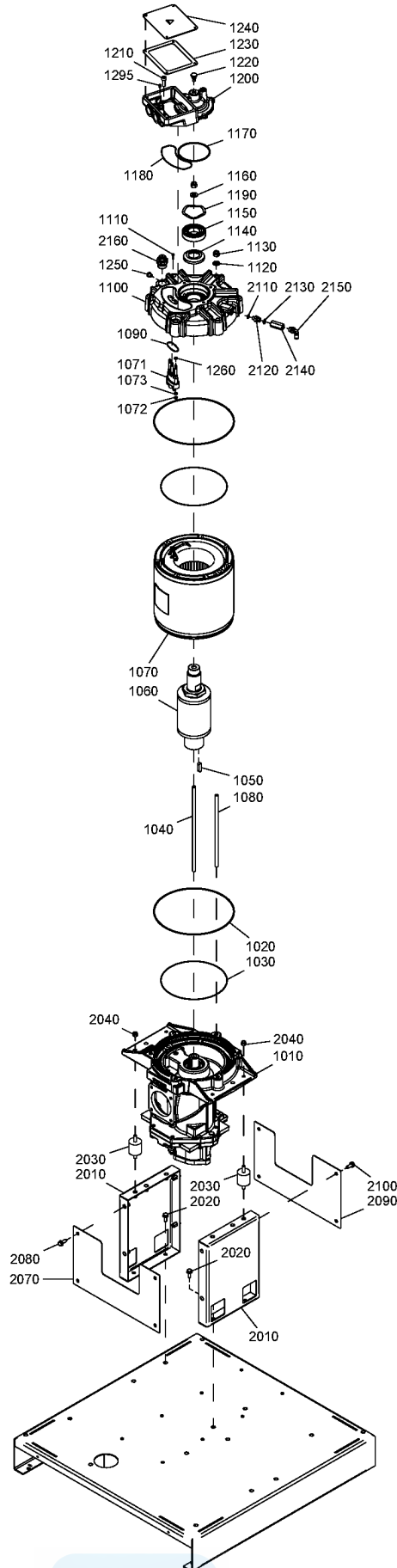
**Remarks:**

1) These items are available as part of the drive set - 8092 3723 69

**Legend:**

MODEL:GA37VP\_13 - Model:GA 37VSD+





### 3 - Drive arrangement GA 37VSD+

MODEL:GA37VP\_13

Atlas Copco

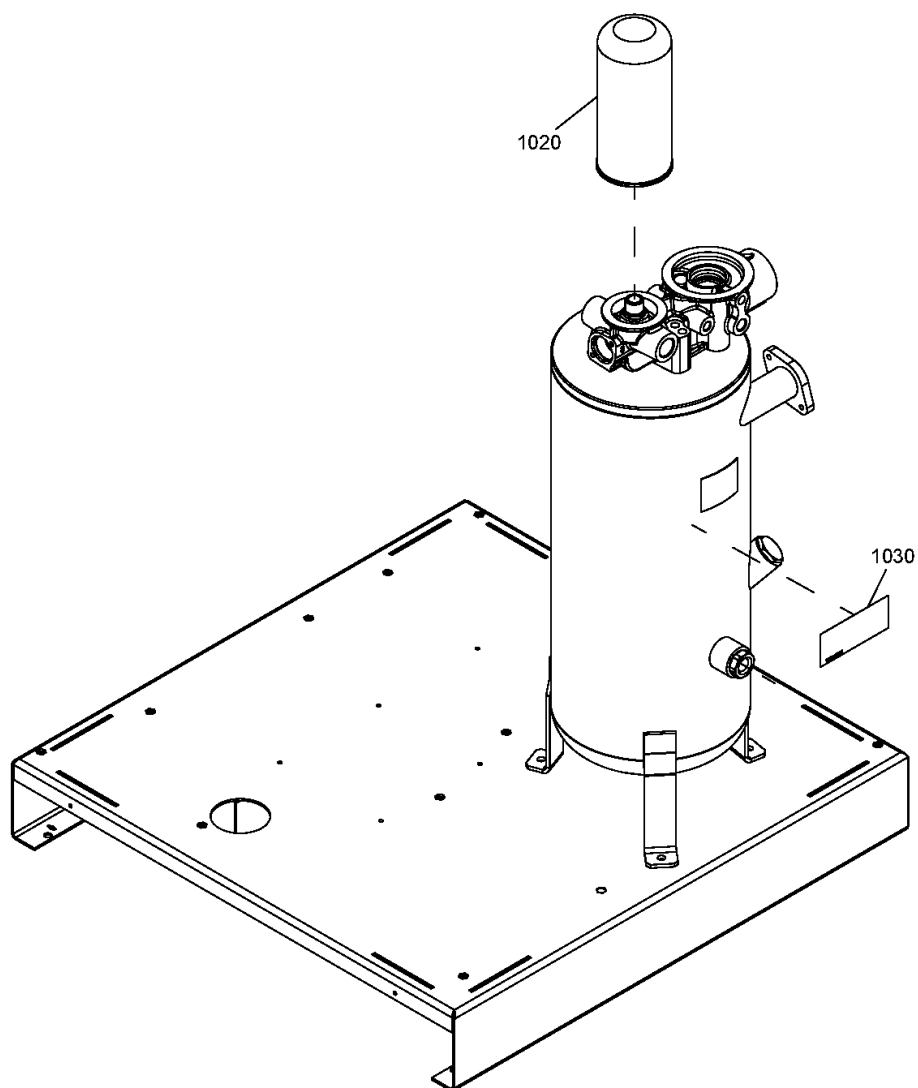
Ref	Part Number	Qty	Name	Validity	R.
2030	0392 1100 21	4	BUFFER	(06/06/2013 - 07/11/2013)	
2030	0392 1100 44	4	ANTI-VIBRATION PAD	(08/11/2013 - ...)	1)
2040	0291 1128 18	4	LOCK NUT	(06/06/2013 - ...)	1)
2070	1625 4762 30	1	PLATE	(06/06/2013 - ...)	1)
2080	0147 1963 08	4	SCREW	(06/06/2013 - ...)	1)
2090	1625 4762 30	1	PLATE	(06/06/2013 - ...)	1)
2100	0147 1963 08	4	SCREW	(06/06/2013 - ...)	1)
2110		1	O-RING	(06/06/2013 - ...)	1)
	 Service kits:	2901 2006 11	- KIT NON RETURN VALVE		
2120	1625 4810 00	1	NOZZLE	(06/06/2013 - ...)	1)
2130		1	O-RING	(06/06/2013 - ...)	1)
	 Service kits:	2901 2006 11	- KIT NON RETURN VALVE		
2140	0823 0050 09	1	NON RETURN VALVE	(06/06/2013 - 17/03/2014)	1)
2140		1	NON RETURN VALVE	(18/03/2014 - 25/06/2030)	1)
	 Service kits:	2901 2006 11	- KIT NON RETURN VALVE		
2150	0583 8121 00	1	FITTING PIPE	(06/06/2013 - 20/05/2020)	
2150	0583 8121 39	1	COUPL. ELBOW	(26/06/2015 - ...)	
2160	0580 0017 35	1	FITTING PIPE	(06/06/2013 - 01/10/2014)	1)
2160	1622 4867 11	1	NIPPLE HEXAGON	(02/10/2014 - 29/10/2014)	



**Remarks:**

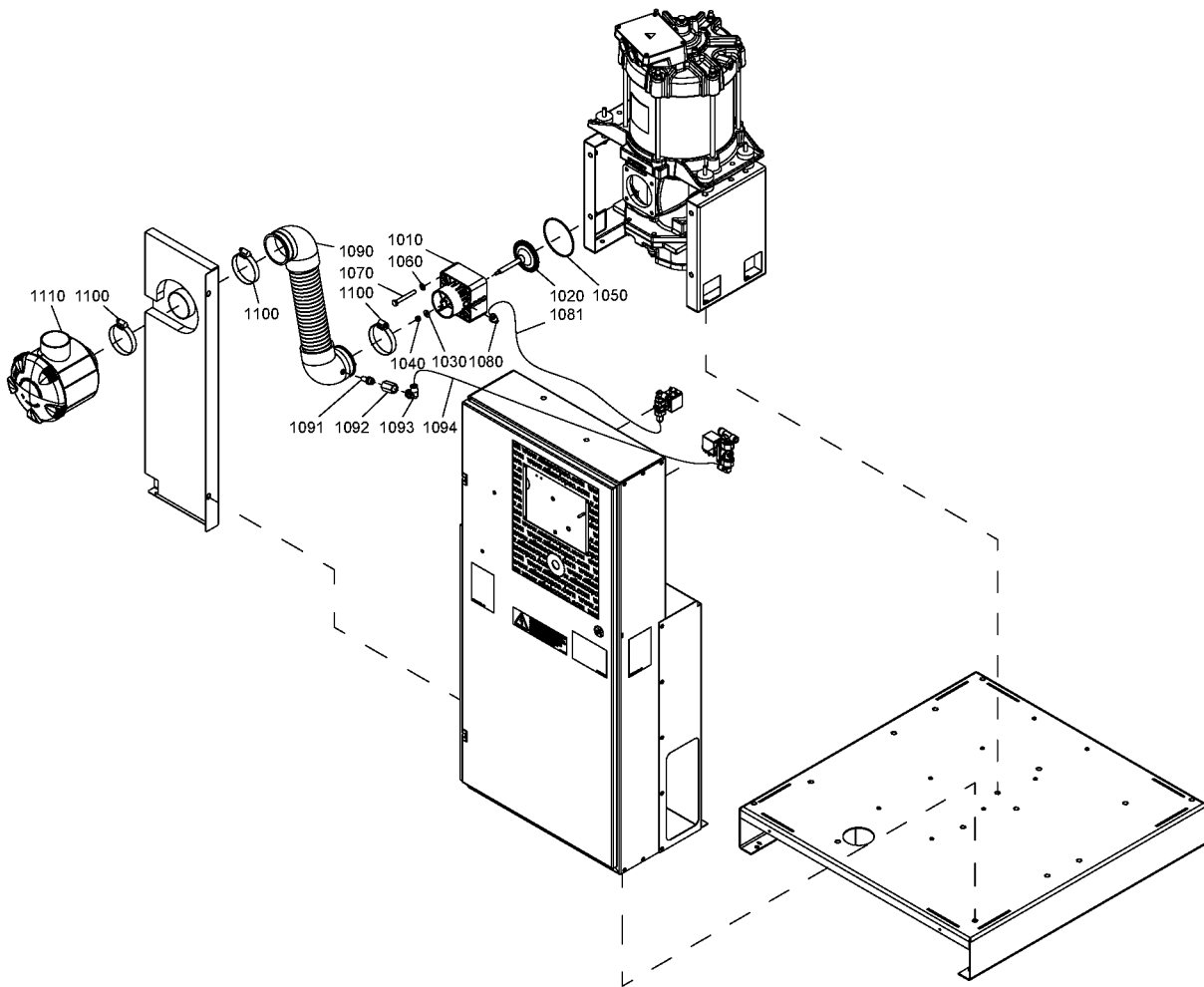
1) These items are available as part of the drive set - 8092 3723 69

**Legend:**

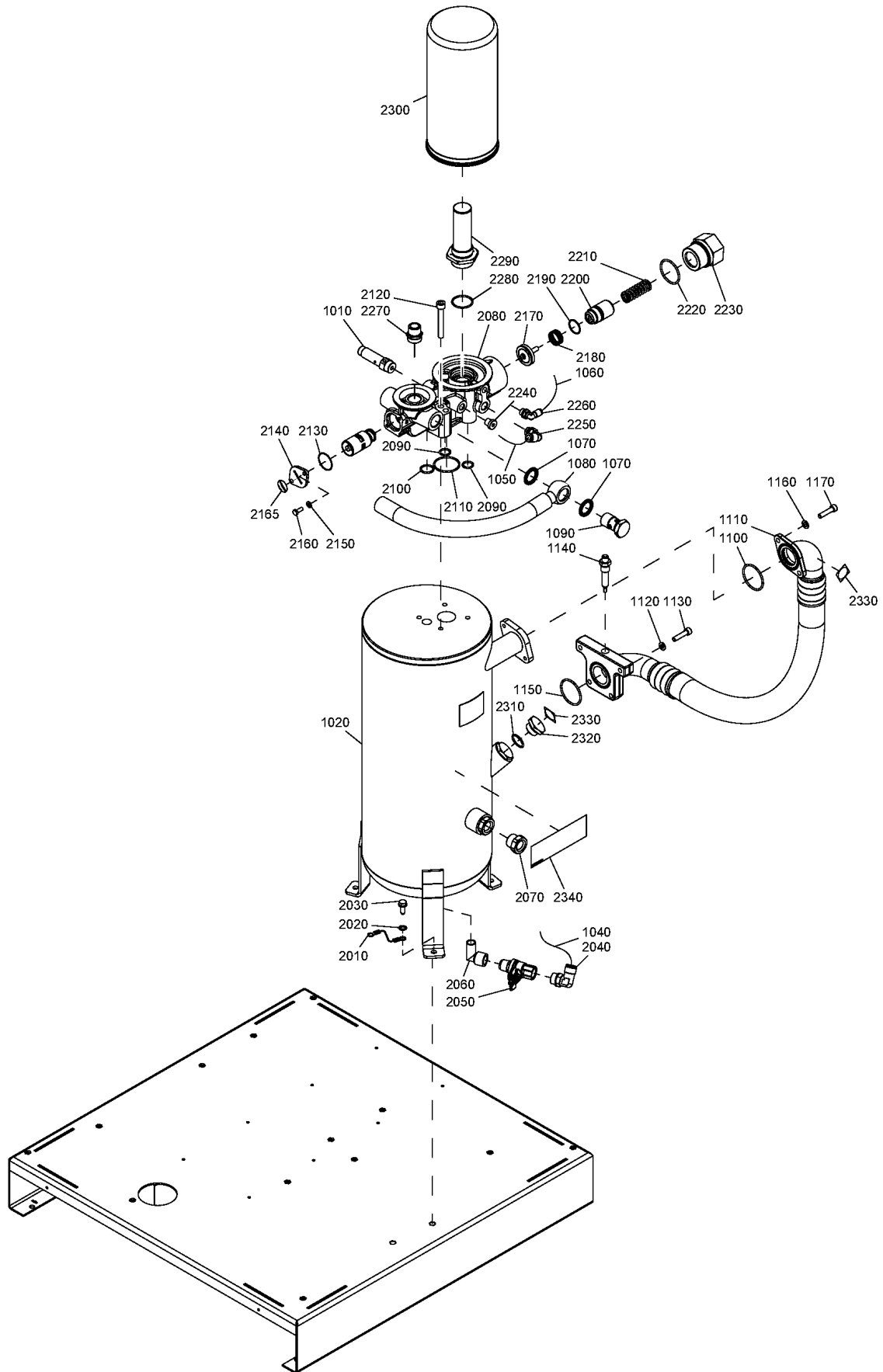
MODEL:GA37VP\_13 - Model:GA 37VSD+



Ref	Part Number	Qty	Name	Validity
1020		1	OIL FILTER ROTO-INJECT FLUID	(20/02/2013 - ...)
	 Service kits:		2901 2006 50 - AIR/OIL FILTER KIT 4000H	
1020	<del>1625 7526 00</del>	1	OIL FILTER ROTO-XTEND DUTY FLUID / FOOD GRADE FLUID	(06/06/2013 - ...)
	 Substituted by:		2903 7526 00 - OIL FILTER SPARE 8000HRS (quantity: 1)	
1030	1079 9909 57	1	LABEL ROTO-INJECT FLUID	(20/02/2013 - ...)
1030	1079 9925 87	1	LABEL ROTO-XTEND DUTY FLUID	(06/06/2013 - ...)
1030	1079 9920 99	1	LABEL FOOD GRADE FLUID	(06/06/2013 - ...)



Ref	Part Number	Qty	Name	Validity
1010		1	RELIEF VALVE	(20/02/2013 - ...)
	📦 Service kits:	2901	2006 52 - INLET VALVE KIT	
1020		1	REGULATION VALVE	(20/06/2013 - ...)
	📦 Service kits:	2901	2006 52 - INLET VALVE KIT	
1030		1	WASHER	(20/02/2013 - ...)
	📦 Service kits:	2901	2006 52 - INLET VALVE KIT	
1040		1	LOCK NUT	(20/02/2013 - ...)
	📦 Service kits:	2901	2006 52 - INLET VALVE KIT	
1050		1	O-RING	(20/02/2013 - 25/10/2015)
	📦 Service kits:	2901	2006 52 - INLET VALVE KIT	
		2901	2006 54 - DRIVE TRAIN MAINTENANCE 24000H	
1060	0301 2335 00	4	WASHER	(20/02/2013 - ...)
1070	0147 1333 03	4	HEXAGON BOLT	(18/06/2013 - ...)
1080	0583 8120 75	1	FITTING	(06/05/2013 - ...)
1081	0070 6002 03	AR	PLASTIC TUBE	(21/10/2013 - ...)
1090	1625 4763 10	1	HOSE ASSEMBLY	(20/02/2013 - ...)
1091	9090 0508 00	1	SILENCER	(21/10/2013 - ...)
1092	1625 4842 00	1	NOZZLE	(21/10/2013 - ...)
1093	0583 8121 15	1	FITTING PIPE	(21/10/2013 - ...)
1094	0070 6002 74	AR	TUBE	(21/10/2013 - ...)
1100	0347 6114 00	3	HOSE CLIP	(20/02/2013 - ...)
1110	1622 7887 00	1	AIR FILTER	(20/02/2013 - ...)
	• 1613 8720 00	1	FILTER ELEMENT	



## 5.2 - Air system - Air receiver (04/10/2013 - 09/03/2015)

Ref	Part Number	Qty	Name	Validity
1010	0830 1010 03	1	SAFETY VALVE	(20/02/2013 - ...) MAPPR:AS1210 , MAPPR:CE , MAPPR:MOM
1010	0830 1009 98	1	SAFETY VALVE	(20/02/2013 - ...) MAPPR:ASME , MAPPR:ASMECRN , MAPPR:JPN , MAPPR:ML
1020	1625 4815 81	1	OIL SEPARATOR	(04/10/2013 - 09/03/2015) MAPPR:CE
	1625 4815 85			(04/10/2013 - 19/02/2015) MAPPR:MOM
	1625 4815 83			(04/10/2013 - 19/02/2015) MAPPR:AS1210
	1625 4815 86			(04/10/2013 - 19/02/2015) MAPPR:JPN
	1625 4815 87			(04/10/2013 - 19/02/2015) MAPPR:ML
	1625 4815 84			(04/10/2013 - 18/03/2015) MAPPR:ASME , MAPPR:ASMECRN
	• 1625 4815 01	1	SEPARATOR OIL	(04/10/2013 - 09/03/2015) MAPPR:CE
	• 1625 4815 05	1	SEPARATOR OIL	(04/10/2013 - 19/02/2015) MAPPR:MOM
	• 1625 4815 03	1	SEPARATOR OIL	(04/10/2013 - 19/02/2015) MAPPR:AS1210
	• 1625 4815 06	1	SEPARATOR OIL	(04/10/2013 - 19/02/2015) MAPPR:JPN
	• 1625 4815 07	1	SEPARATOR OIL	(04/10/2013 - 19/02/2015) MAPPR:ML
	• 1625 4815 04	1	SEPARATOR OIL	(04/10/2013 - 18/03/2015) MAPPR:ASME , MAPPR:ASMECRN
	• 0852 0011 50	1	BALL VALVE	(04/10/2013 - 19/02/2015) (20/02/2015 - 09/03/2015) MAPPR:ASME , MAPPR:ASMECRN , MAPPR:CE (10/03/2015 - 18/03/2015) MAPPR:ASME , MAPPR:ASMECRN
	• 0583 8121 03	1	FITTING PIPE	(04/10/2013 - 30/10/2013)
	• 0583 8120 97	1	FITTING PIPE	(31/10/2013 - 19/02/2015) (20/02/2015 - 09/03/2015) MAPPR:ASME , MAPPR:ASMECRN , MAPPR:CE (10/03/2015 - 18/03/2015) MAPPR:ASME , MAPPR:ASMECRN
	• 1503 2565 04	1	ELBOW	(31/10/2013 - 19/02/2015) (20/02/2015 - 09/03/2015) MAPPR:ASME , MAPPR:ASMECRN , MAPPR:CE (10/03/2015 - 18/03/2015) MAPPR:ASME , MAPPR:ASMECRN
1040	0070 6002 69	AR	TUBE	(20/02/2013 - ...)
1050	0070 6002 03	AR	PLASTIC TUBE	(20/02/2013 - 20/10/2013)
1050	0070 6002 74	AR	TUBE	(21/10/2013 - ...)
1060	0070 6002 68	AR	TUBE	(20/02/2013 - ...)
1070		2	SEAL WASHER	(21/06/2013 - ...)
	📦 Service kits:	2901 2006 56 - SEAL KIT INSTR BLOCK		
1080	1625 4807 09	1	HOSE ASSEMBLY	(20/02/2013 - ...)
1090	0627 5126 00	1	SCREW	(20/02/2013 - ...)
1100		1	O-RING	(20/02/2013 - ...)
	📦 Service kits:	2901 2006 50 - AIR/OIL FILTER KIT 4000H 2901 2006 51 - AIR/OIL FILTER KIT 8000H		
1110	1625 4744 10	1	HOSE ASSEMBLY	(18/06/2013 - ...)
1120	0301 2335 00	4	WASHER	(20/02/2013 - ...)
1130	0211 1957 59	4	CAP SCREW	(20/02/2013 - ...)
1140	1089 0574 15	1	TEMP. SENSOR	(20/02/2013 - ...)
1150		1	O-RING	(20/02/2013 - ...)
	📦 Service kits:	2901 2006 54 - DRIVE TRAIN MAINTENANCE 24000H		
1160	0301 2335 00	2	WASHER	(20/02/2013 - ...)
1170	0211 1957 59	2	CAP SCREW	(20/02/2013 - ...)
2010	1613 8967 12	1	GROUNDING WIRE	(20/02/2013 - ...)
2020	0333 3227 00	1	LOCK WASHER	(20/02/2013 - ...)
2030	0147 1963 08	3	HEXAGON BOLT	(20/02/2013 - ...)
2040	1503 2565 04	1	ELBOW	(20/02/2013 - 30/10/2013)
2050	0852 0011 50	1	VALVE BALL	(20/02/2013 - 30/10/2013)
2060	0583 8120 97	1	FITTING PIPE	(06/06/2013 - 30/10/2013)
2070	2200 7599 10	1	OIL LEVEL PLUG	(20/02/2013 - 02/10/2015)
2080	1625 4735 00	1	INSTRUMENT BLOCK	(20/02/2013 - ...)

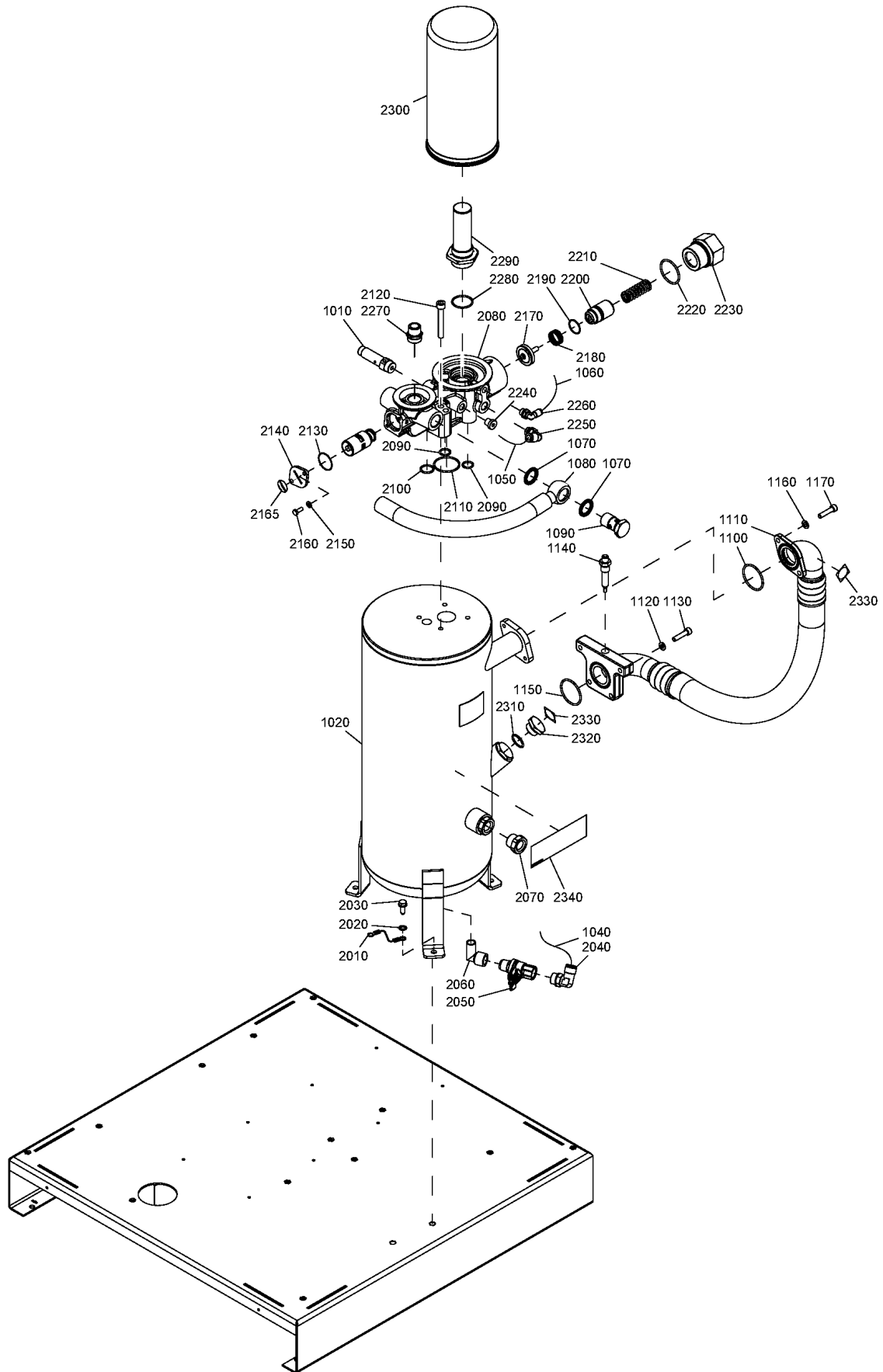
### Legend:














MAPPR:AS1210 - Pressure Vessel Approval:AS1210  
 MAPPR:CE - Pressure Vessel Approval:CE  
 MAPPR:MOM - Pressure Vessel Approval:MOM

MAPPR:ASME - Pressure Vessel Approval:ASME (U Stamp)  
 MAPPR:JPN - Pressure Vessel Approval:Japan

MAPPR:ASMECRN - Pressure Vessel Approval:ASME CRN  
 MAPPR:ML - Pressure Vessel Approval:ML





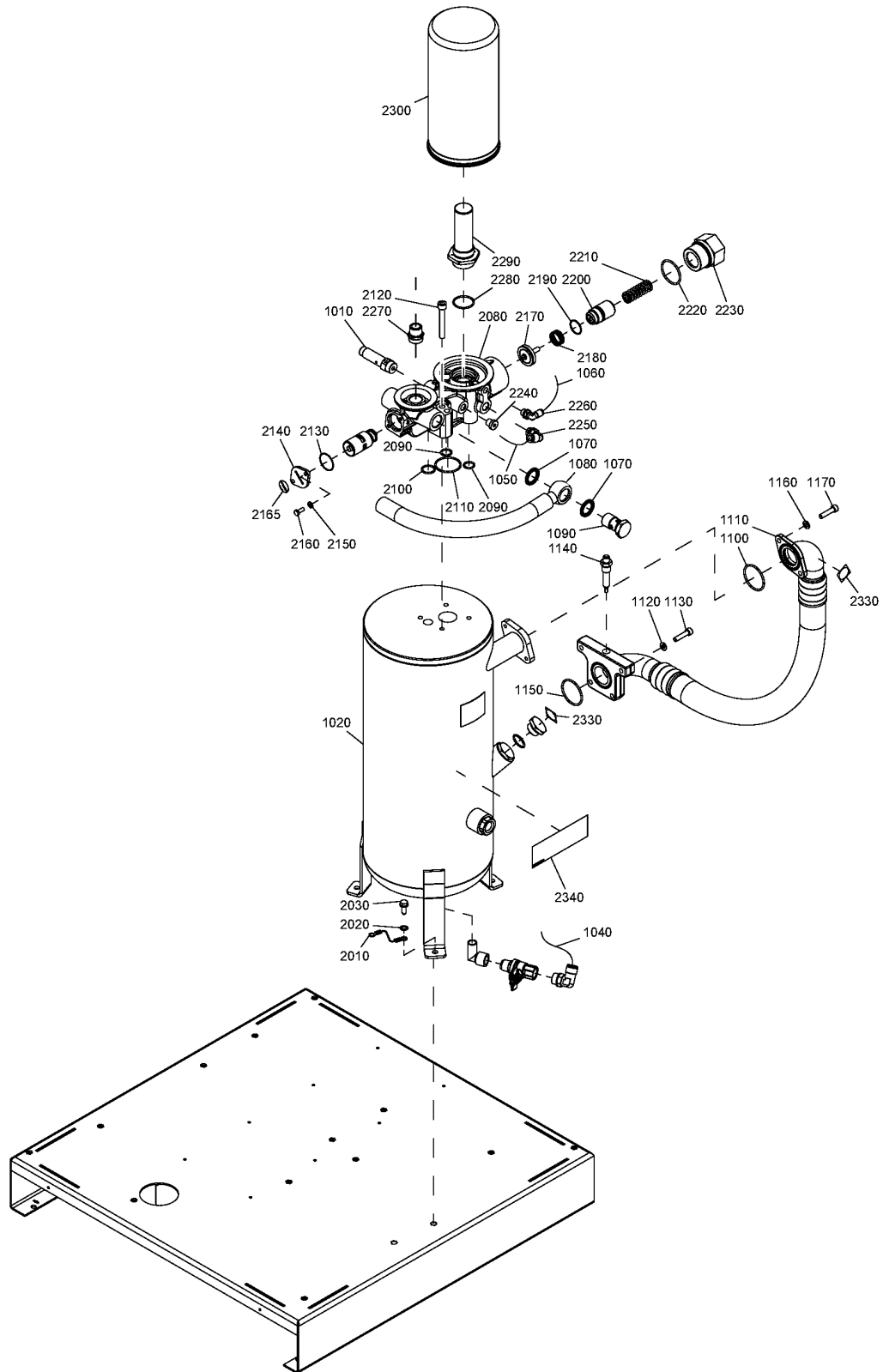
Ref	Part Number	Qty	Name	Validity
2090		2	O-RING	(20/02/2013 - ...)
	 Service kits:	2901	2006 56 - SEAL KIT INSTR BLOCK	
2100		1	O-RING	(20/02/2013 - ...)
	 Service kits:	2901	2006 56 - SEAL KIT INSTR BLOCK	
2110		1	O-RING	(20/02/2013 - ...)
	 Service kits:	2901	2006 56 - SEAL KIT INSTR BLOCK	
2120	0211 1371 03	4	SCREW	(20/02/2013 - ...)
2130		1	O-RING	(20/02/2013 - ...)
	 Service kits:	2901	2006 53 - MPV & THERMOSTAT KIT 8000H	
		2901	2006 56 - SEAL KIT INSTR BLOCK	
2140	1614 6118 00	1	FLANGE	(20/02/2013 - ...)
2150	0301 2321 00	2	WASHER	(20/02/2013 - ...)
2160	0147 1246 03	2	HEXAGON BOLT	(20/02/2013 - ...)
2165	1079 9932 38	1	DECAL UNIT	(21/08/2013 - ...)
2170		1	ASSEMBLY VALVE	(20/02/2013 - ...)
	 Service kits:	2901	2006 53 - MPV & THERMOSTAT KIT 8000H	
2180		1	SPRING	(20/02/2013 - ...)
	 Service kits:	2901	2006 53 - MPV & THERMOSTAT KIT 8000H	
2190		1	O-RING	(21/08/2013 - ...)
	 Service kits:	2901	2006 53 - MPV & THERMOSTAT KIT 8000H	
2200		1	PISTON	(20/02/2013 - ...)
	 Service kits:	2901	2006 53 - MPV & THERMOSTAT KIT 8000H	
2210		1	SPRING COMPRESSION	(20/02/2013 - ...)
	 Service kits:	2901	2006 53 - MPV & THERMOSTAT KIT 8000H	
2220		1	O-RING	(20/02/2013 - ...)
	 Service kits:	2901	2006 53 - MPV & THERMOSTAT KIT 8000H	
		2901	2006 56 - SEAL KIT INSTR BLOCK	
2230	1622 6576 01	1	HOUSING	(20/02/2013 - ...)
2240	0686 3718 15	1	PLUG	(20/02/2013 - ...)
2250		1	FITTING PIPE	(20/02/2013 - 20/10/2013)
	 Service kits:	2901	2006 56 - SEAL KIT INSTR BLOCK	
2250	0583 8121 31	1	FITTING PIPE	(21/10/2013 - ...)
2260	0583 8121 00	1	FITTING PIPE	(20/02/2013 - 20/05/2020)
2270	1625 4260 00	1	NIPPLE HEXAGON	(20/02/2013 - ...)
2280		1	O-RING	(06/05/2013 - ...)
	 Service kits:	2901	2006 56 - SEAL KIT INSTR BLOCK	
2290	1625 4817 80	1	PIPE	(06/05/2013 - ...)
2300	1625 4811 00	1	SEPARATOR	(06/05/2013 - ...)
2310		1	O-RING	(20/02/2013 - 02/10/2015)
	 Service kits:	2901	2006 50 - AIR/OIL FILTER KIT 4000H	
		2901	2006 51 - AIR/OIL FILTER KIT 8000H	
2320	2202 2124 21	1	PLUG	(20/02/2013 - 02/10/2015)
2330	1079 9930 38	2	LABEL	(20/02/2013 - ...)
2340	1079 9904 99	1	WARNING LABEL	(20/02/2013 - ...)

**Legend:**

MAPPR:AS1210 - Pressure Vessel Approval:AS1210  
MAPPR:CE - Pressure Vessel Approval:CE  
MAPPR:MOM - Pressure Vessel Approval:MOM

MAPPR:ASME - Pressure Vessel Approval:ASME (U Stamp)  
MAPPR:JPN - Pressure Vessel Approval:Japan

MAPPR:ASMECRN - Pressure Vessel Approval:ASME CRN  
MAPPR:ML - Pressure Vessel Approval:ML



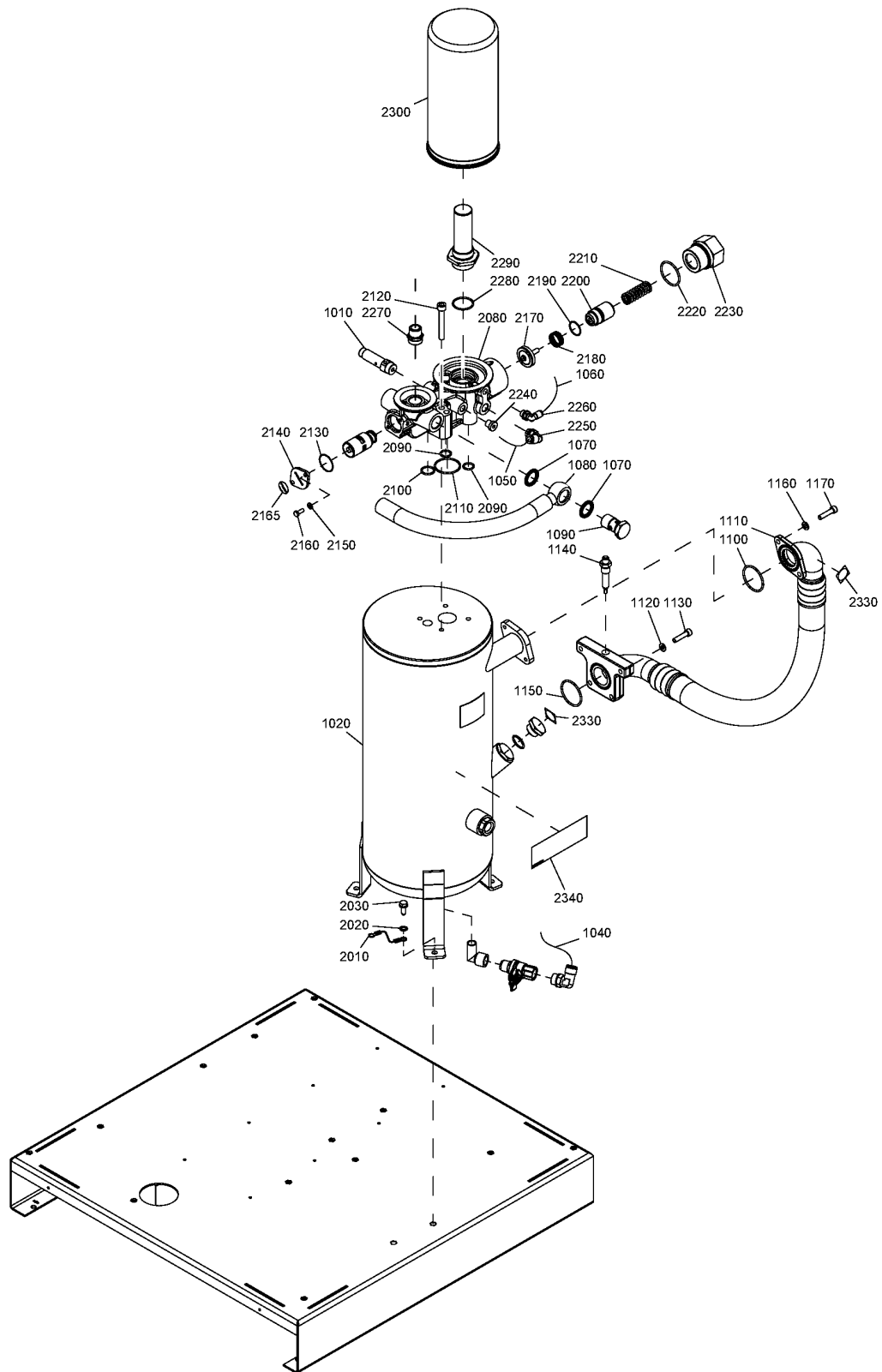
Ref	Part Number	Qty	Name	Validity
1010	0830 1010 03	1	SAFETY VALVE	(20/02/2013 - ...) MAPPR:AS1210 , MAPPR:CE , MAPPR:MOM
1010	0830 1009 98	1	SAFETY VALVE	(20/02/2013 - ...) MAPPR:ASME , MAPPR:ASMECRN , MAPPR:JPN , MAPPR:ML
1020	1625 4815 91	1	VESSEL	(10/03/2015 - ...) MAPPR:CE
	1625 4815 94			(19/03/2015 - ...) MAPPR:ASME , MAPPR:ASMECRN
	1625 4815 97			(20/02/2015 - ...) MAPPR:ML
	1625 4815 96			(20/02/2015 - ...) MAPPR:JPN
	1625 4815 93			(20/02/2015 - ...) MAPPR:AS1210
	1625 4815 95			(20/02/2015 - ...) MAPPR:MOM
	• 1625 4815 01	1	SEPARATOR OIL	(10/03/2015 - ...) MAPPR:CE
	• 1625 4815 04	1	SEPARATOR OIL	(19/03/2015 - ...) MAPPR:ASME , MAPPR:ASMECRN
	• 1625 4815 07	1	SEPARATOR OIL	(20/02/2015 - ...) MAPPR:ML
	• 1625 4815 06	1	SEPARATOR OIL	(20/02/2015 - ...) MAPPR:JPN
	• 1625 4815 03	1	SEPARATOR OIL	(20/02/2015 - ...) MAPPR:AS1210
	• 1625 4815 05	1	SEPARATOR OIL	(20/02/2015 - ...) MAPPR:MOM
1040	0070 6002 69	AR	TUBE	(20/02/2013 - ...)
1050	0070 6002 74	AR	TUBE	(21/10/2013 - ...)
1060	0070 6002 68	AR	TUBE	(20/02/2013 - ...)
1070		2	SEAL WASHER	(21/06/2013 - ...)
	📦 Service kits:	2901 2006 56 - SEAL KIT INSTR BLOCK		
1080	1625 4807 09	1	HOSE ASSEMBLY	(20/02/2013 - ...)
1090	0627 5126 00	1	SCREW	(20/02/2013 - ...)
1100		1	O-RING	(20/02/2013 - ...)
	📦 Service kits:	2901 2006 50 - AIR/OIL FILTER KIT 4000H 2901 2006 54 - DRIVE TRAIN MAINTENANCE 24000H 2901 2006 51 - AIR/OIL FILTER KIT 8000H		
1110	1625 4744 10	1	HOSE ASSEMBLY	(18/06/2013 - ...)
1120	0301 2335 00	4	PLAIN WASHER	(20/02/2013 - ...)
1130	0211 1957 59	4	SCREW CAP	(20/02/2013 - ...)
1140	1089 0574 15	1	TEMP SENSOR	(20/02/2013 - ...)
1150		1	O-RING	(20/02/2013 - ...)
	📦 Service kits:	2901 2006 50 - AIR/OIL FILTER KIT 4000H 2901 2006 54 - DRIVE TRAIN MAINTENANCE 24000H 2901 2006 51 - AIR/OIL FILTER KIT 8000H		
1160	0301 2335 00	2	PLAIN WASHER	(20/02/2013 - ...)
1170	0211 1957 59	2	CAP SCREW	(20/02/2013 - ...)
2010	1613 8967 12	1	GROUNDING WIRE	(20/02/2013 - ...)
2020	0333 3227 00	1	LOCK WASHER	(20/02/2013 - ...)
2030	0147 1963 08	3	SCREW	(20/02/2013 - ...)
2080	1625 4735 00	1	INSTRUMENT BLOCK - MACHINED	(20/02/2013 - ...)
2090		2	O-RING	(20/02/2013 - ...)
	📦 Service kits:	2901 2006 56 - SEAL KIT INSTR BLOCK		
2100		1	O-RING	(20/02/2013 - ...)
	📦 Service kits:	2901 2006 56 - SEAL KIT INSTR BLOCK		
2110		1	O-RING	(20/02/2013 - ...)
	📦 Service kits:	2901 2006 56 - SEAL KIT INSTR BLOCK		
2120	0211 1371 03	4	SCREW	(20/02/2013 - ...)
2130		1	O-RING	(20/02/2013 - ...)
	📦 Service kits:	2901 2006 56 - SEAL KIT INSTR BLOCK 2901 2006 53 - MPV & THERMOSTAT KIT 8000H		
2140	1614 6118 00	1	FLANGE	(20/02/2013 - ...)
2150	0301 2321 00	2	PLAIN WASHER	(20/02/2013 - ...)
2160	0147 1246 03	2	HEXAGON BOLT	(20/02/2013 - ...)
2165	1079 9932 38	1	DECAL UNIT	(21/08/2013 - ...)




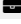



**Legend:**

MAPPR:AS1210 - Pressure Vessel Approval:AS1210  
MAPPR:CE - Pressure Vessel Approval:CE  
MAPPR:MOM - Pressure Vessel Approval:MOM

MAPPR:ASME - Pressure Vessel Approval:ASME (U Stamp)  
MAPPR:JPN - Pressure Vessel Approval:Japan

MAPPR:ASMECRN - Pressure Vessel Approval:ASME CRN  
MAPPR:ML - Pressure Vessel Approval:ML



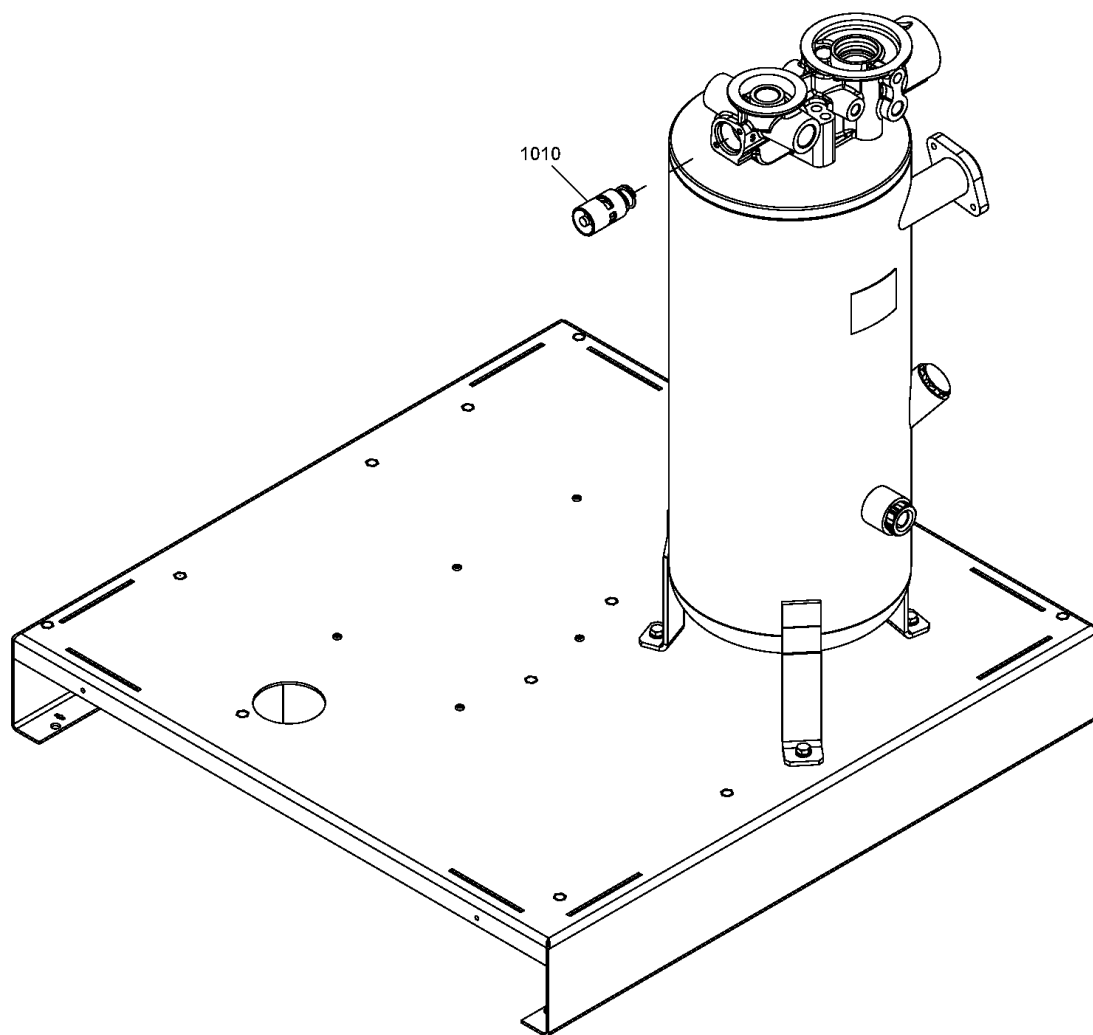
Ref	Part Number	Qty	Name	Validity
2170		1	VALVE ASSEMBLY	(20/02/2013 - ...)
	 Service kits:	2901	2006 53 - MPV & THERMOSTAT KIT 8000H	
2180		1	SPRING	(20/02/2013 - ...)
	 Service kits:	2901	2006 53 - MPV & THERMOSTAT KIT 8000H	
2190		1	O-RING	(21/08/2013 - ...)
	 Service kits:	2901	2006 53 - MPV & THERMOSTAT KIT 8000H	
2200		1	PISTON	(20/02/2013 - ...)
	 Service kits:	2901	2006 53 - MPV & THERMOSTAT KIT 8000H	
2210		1	SPRING COMPRESSION	(20/02/2013 - ...)
	 Service kits:	2901	2006 53 - MPV & THERMOSTAT KIT 8000H	
2220		1	O-RING	(20/02/2013 - ...)
	 Service kits:	2901	2006 56 - SEAL KIT INSTR BLOCK	
		2901	2006 53 - MPV & THERMOSTAT KIT 8000H	
2230	1622 6576 01	1	HOUSING MPV	(20/02/2013 - ...)
2240	0686 3718 15	1	PLUG	(20/02/2013 - ...)
2250	0583 8121 31	1	FITTING PIPE	(21/10/2013 - ...)
2260	0583 8121 39	1	COUPL. ELBOW	(26/06/2015 - ...)
2270	1625 4260 00	1	NIPPLE HEXAGON	(20/02/2013 - ...)
2280		1	O-RING	(06/05/2013 - ...)
	 Service kits:	2901	2006 56 - SEAL KIT INSTR BLOCK	
2290	1625 4817 80	1	PIPE	(06/05/2013 - ...)
2300	1625 4811 00	1	SEPARATOR AIR STARBOX	(06/05/2013 - ...)
2330	1079 9930 38	2	LABEL	(20/02/2013 - ...)
2340	1079 9904 99	1	LABEL	(20/02/2013 - ...)

**Legend:**

MAPPR:AS1210 - Pressure Vessel Approval:AS1210  
 MAPPR:CE - Pressure Vessel Approval:CE  
 MAPPR:MOM - Pressure Vessel Approval:MOM

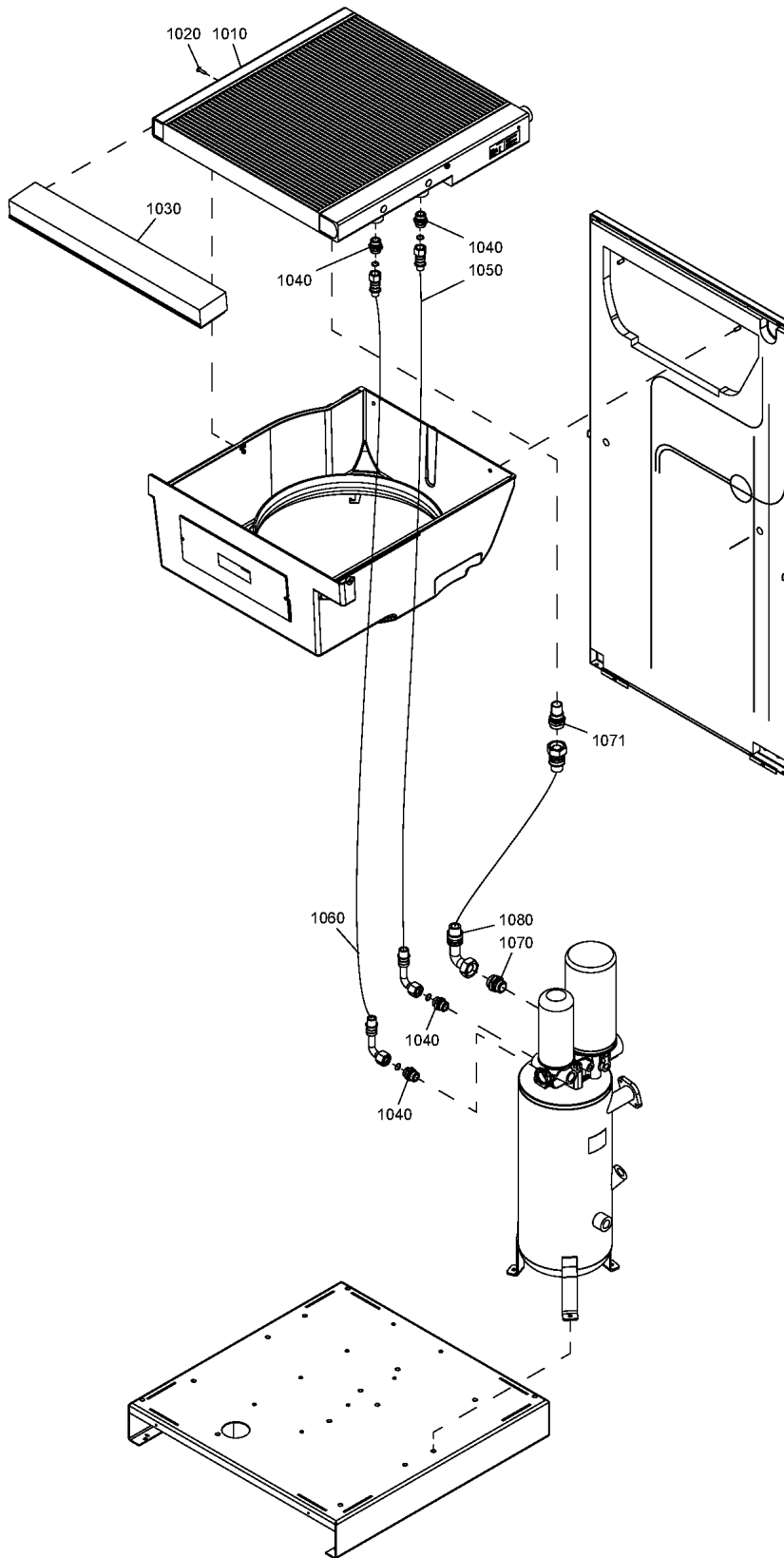
MAPPR:ASME - Pressure Vessel Approval:ASME (U Stamp)  
 MAPPR:JPN - Pressure Vessel Approval:Japan

MAPPR:ASMECRN - Pressure Vessel Approval:ASME CRN  
 MAPPR:ML - Pressure Vessel Approval:ML








## 5.4 - Air system - Thermostat

Ref	Part Number	Qty	Name	Validity
1010	1622 7064 05	1	THERMOSTATIC VALVE	(19/12/2013 - ...)
1010	1619 7595 00	1	THERMOSTATIC VALVE	(18/06/2013 - 18/12/2013)



## 6 - Air flow - Cooling system GA 18VSD+, GA 22VSD+, GA 26VSD+

MODEL:GA18VP\_13 , MODEL:GA22VP\_13 , MODEL:GA26VP\_13

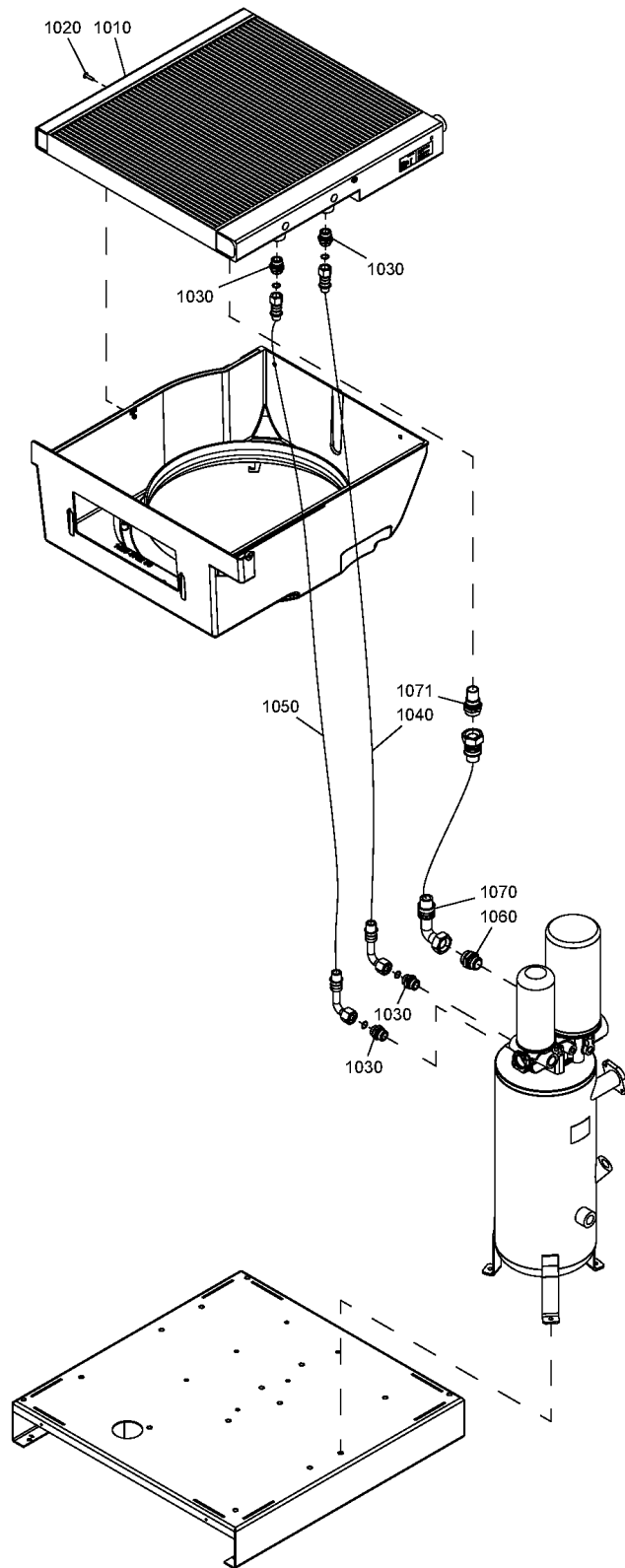
Ref	Part Number	Qty	Name	Validity
1010	1625 4736 01	1	COMBI COOLER	(20/02/2013 - ...) MODEL:GA18VP_13
1010	1625 4736 02	1	COMBI COOLER	(20/02/2013 - ...) MODEL:GA22VP_13
1010	1625 4736 03	1	COMBI COOLER	(20/02/2013 - ...) MODEL:GA26VP_13
1020	0215 0010 16	1	SCREW SET	(20/02/2013 - 20/08/2015)
1030	1625 4767 83	1	PLATE	(20/02/2013 - ...) MODEL:GA18VP_13
1030	1625 4767 82	1	PLATE	(20/02/2013 - ...) MODEL:GA22VP_13
1030	1625 4767 81	1	PLATE	(20/02/2013 - ...) MODEL:GA26VP_13
1040		4	FITTING PIPE	(20/02/2013 - ...)
	 Service kits:	2901 2006 56	SEAL KIT INSTR BLOCK	
1050	1625 4807 03	1	HOSE ASSEMBLY	(20/02/2013 - ...)
1060	1625 4807 03	1	HOSE ASSEMBLY	(18/06/2013 - ...)
	•	4	O-RING	
	 Service kits:	2901 2006 56	SEAL KIT INSTR BLOCK	
1070		2	FITTING PIPE	(20/02/2013 - 20/10/2013)
	 Service kits:	2901 2006 56	SEAL KIT INSTR BLOCK	
1070		1	FITTING PIPE	(21/10/2013 - ...)
	 Service kits:	2901 2006 56	SEAL KIT INSTR BLOCK	
1071	1625 4843 00	1	NIPPLE HEXAGON	(21/10/2013 - 19/06/2015)
1071	1625 4851 00	1	NIPPLE HEXAGON	(20/06/2015 - ...)
1080	<del>1625 4761 10</del>	1	PIPE AFTERCOOLER	(20/02/2013 - 09/10/2013)
	 Substituted by:	1625 4807 05	HOSE ASSEMBLY (quantity: 1)	
1080	1625 4807 05	1	HOSE ASSEMBLY	(10/10/2013 - ...)

### Legend:

MODEL:GA18VP\_13 - Model:GA 18VSD+


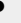




MODEL:GA22VP\_13 - Model:GA 22VSD+

MODEL:GA26VP\_13 - Model:GA 26VSD+



## 7 - Air flow - Cooling system GA 30VSD+, GA 37VSD+

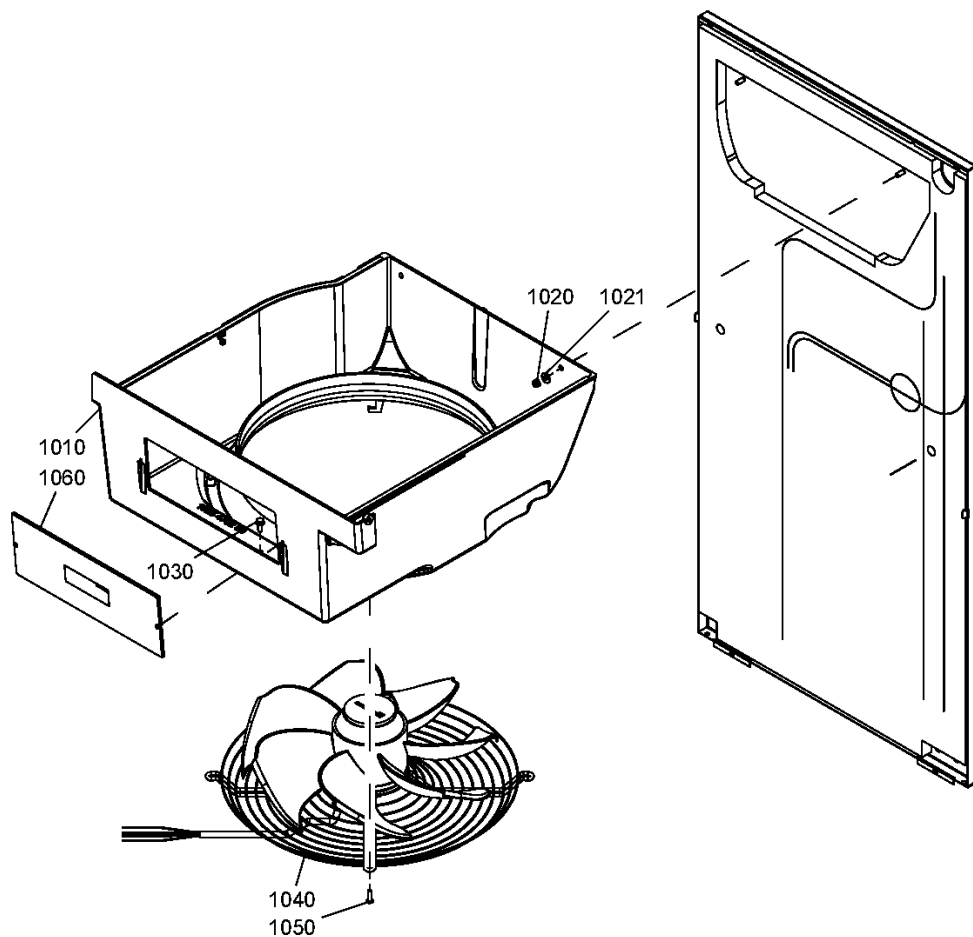
MODEL:GA30VP\_13 , MODEL:GA37VP\_13


Ref	Part Number	Qty	Name	Validity
1010	1625 4736 04	1	COMBI COOLER	(20/02/2013 - ...)
1020	0215 0010 16	1	SCREW SET	(20/02/2013 - ...)
1030		4	FITTING PIPE	(20/02/2013 - ...)
	 Service kits:	2901	2006 56 - SEAL KIT INSTR BLOCK	
1040	1625 4807 03	1	HOSE ASSEMBLY	(20/02/2013 - ...)
1050	1625 4807 03	1	HOSE ASSEMBLY	(18/06/2013 - ...)
	 Service kits:	4	O-RING	
	 Service kits:	2901	2006 56 - SEAL KIT INSTR BLOCK	
1060		2	FITTING PIPE	(20/02/2013 - 20/10/2013)
	 Service kits:	2901	2006 56 - SEAL KIT INSTR BLOCK	
1060		1	FITTING PIPE	(21/10/2013 - ...)
	 Service kits:	2901	2006 56 - SEAL KIT INSTR BLOCK	
1070	1625 4807 05	1	HOSE ASSEMBLY	(10/10/2013 - ...)
1070	<del>1625 4761 10</del>	1	PIPE AFTERCOOLER	(20/02/2013 - 09/10/2013)
	 Substituted by:	1625	4807 05 - HOSE ASSEMBLY (quantity: 1)	
1071	1625 4851 00	1	NIPPLE HEXAGON	(20/06/2015 - ...)
1071	1625 4843 00	1	NIPPLE HEXAGON	(21/10/2013 - 19/06/2015)

### Legend:

MODEL:GA30VP\_13 - Model:GA 30VSD+

MODEL:GA37VP\_13 - Model:GA 37VSD+



Ref	Part Number	Qty	Name	Validity
1010	1625-4794-80	1	DUCT	(20/02/2013 - 20/08/2015) (MODEL:GA26VP_13, MODEL:GA30VP_13) + FREQ:60HZ, MODEL:GA18VP_13, MODEL:GA22VP_13
	 Substituted by:	1625 4794 81 - DUCT DIA 450 ASSY (quantity: 1)		
1010	1625 4752 80	1	DUCT	(20/02/2013 - ...) (MODEL:GA26VP_13, MODEL:GA30VP_13, MODEL:GA37VP_13) + FREQ:50HZ, FREQ:60HZ + MODEL:GA37VP_13
1020	0291 1110 00	2	LOCK NUT	(20/02/2013 - ...)
1021	0300 0274 34	2	WASHER	(10/10/2013 - ...)
1030	0147 1963 08	2	SCREW	(20/02/2013 - ...)
1040	1625 4806 00	1	FAN AXIAL	(20/02/2013 - ...) (MODEL:GA26VP_13, MODEL:GA30VP_13) + FREQ:60HZ, MODEL:GA18VP_13, MODEL:GA22VP_13
1040	1625 4805 00	1	FAN AXIAL	(20/02/2013 - ...) (MODEL:GA26VP_13, MODEL:GA30VP_13) + FREQ:50HZ
1040	1625 4805 10	1	FAN AXIAL	(06/06/2013 - ...) MODEL:GA37VP_13
1050	0215 0010 16	4	SCREW SET	(20/02/2013 - ...)
1060	1625 4264 82	1	PROTECTION	(06/06/2013 - ...)

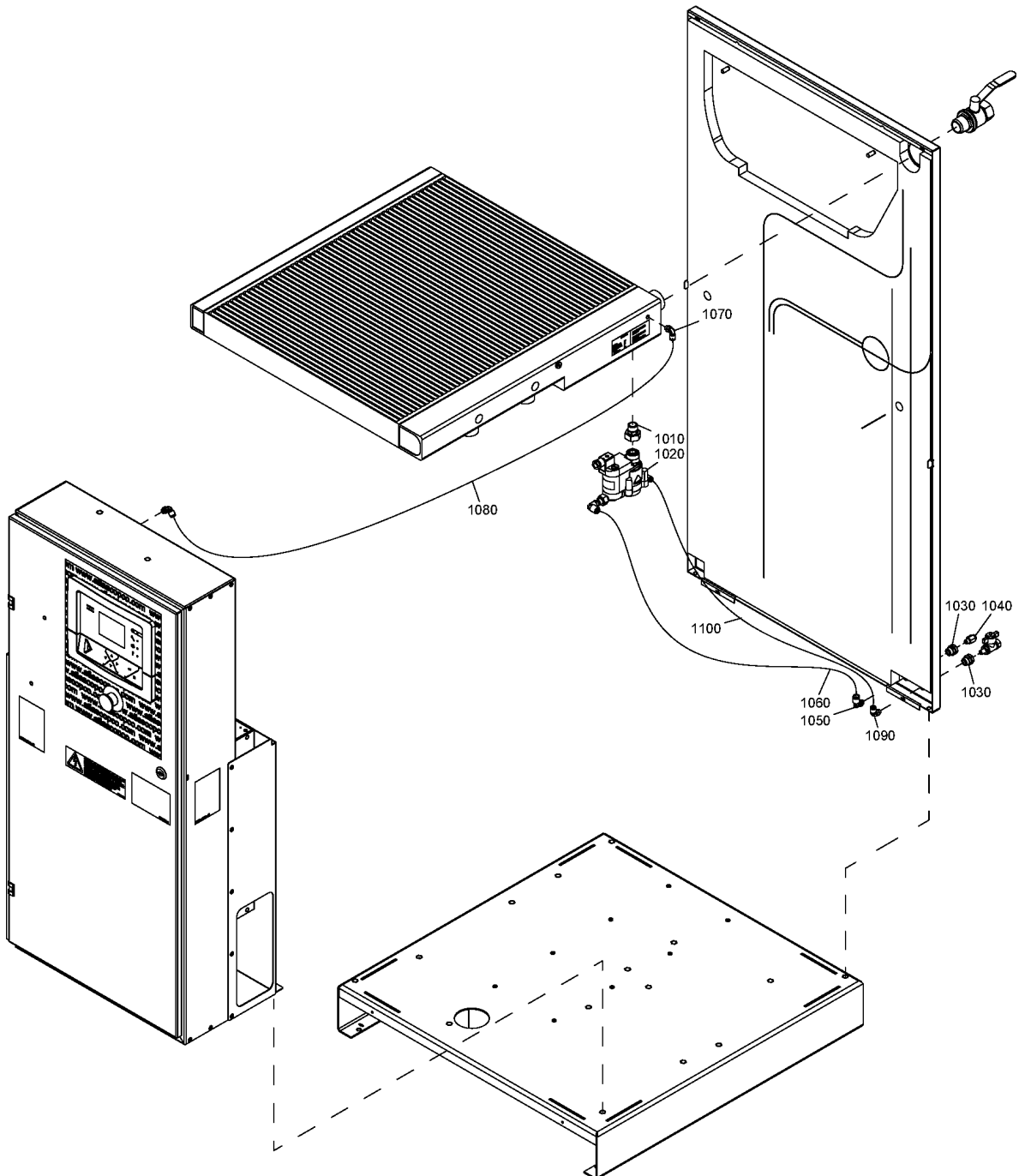
**Legend:**

FREQ:50HZ - Frequency:50 Hz  
 MODEL:GA22VP\_13 - Model:GA 22VSD+  
 MODEL:GA37VP\_13 - Model:GA 37VSD+

FREQ:60HZ - Frequency:60 Hz  
 MODEL:GA26VP\_13 - Model:GA 26VSD+

MODEL:GA18VP\_13 - Model:GA 18VSD+  
 MODEL:GA30VP\_13 - Model:GA 30VSD+

**9 - Air outlet Pack - 400V - 50Hz, 380V/460V - 60Hz**  
 ((MOVOL:380V , MOVOL:460V) + FREQ:60HZ , FREQ:50HZ + MOVOL:400V) + IDRY:N



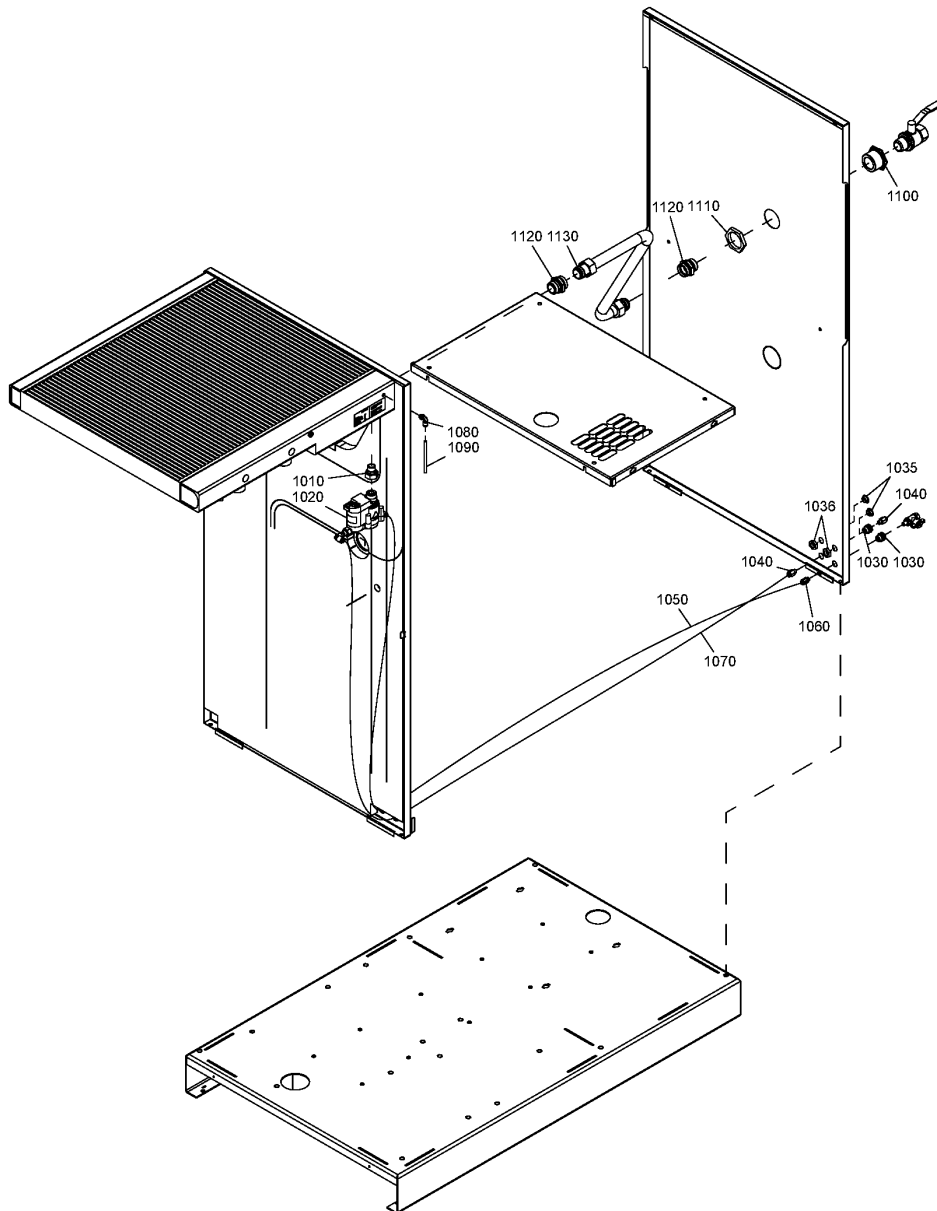
**9 - Air outlet Pack - 400V - 50Hz, 380V/460V - 60Hz**

(MOVOL:380V , MOVOL:460V) + FREQ:60HZ , FREQ:50HZ + MOVOL:400V) + IDRY:N

Ref	Part Number	Qty	Name	Validity
1010	2202 7618 00	1	PIPE UNION	(20/02/2013 - ...)
1020	1624 2950 80	1	DRAIN AUTOMATIC	(20/02/2013 - ...)
1030	0581 0000 43	2	BULKHEAD	(20/02/2013 - ...)
1040	0583 8100 76	1	COUPLING	(20/02/2013 - ...)
1050	0583 8120 75	1	FITTING	(06/05/2013 - ...)
1060	0070 6002 03	AR	PLASTIC TUBE	(21/06/2013 - ...)
1070	0583 8120 73	1	FITTING PIPE	(20/02/2013 - ...)
1080	0070 6002 68	AR	TUBE	(21/06/2013 - ...)
1090	0583 8120 73	1	FITTING PIPE	(20/02/2013 - ...)
1100	0070 6002 68	AR	TUBE	(21/06/2013 - ...)

**Legend:**FREQ:50HZ - Frequency:50 Hz  
MOVOL:380V - Supply voltage:380 VFREQ:60HZ - Frequency:60 Hz  
MOVOL:400V - Supply voltage:400 VIDRY:N - Integrated dryer:No  
MOVOL:460V - Supply voltage:460 V

**10 - Air outlet Pack - 200V/230V - 50/60Hz, 500V - 50Hz, 575V - 60Hz**  
 (FREQ:50HZ + MOVOL:500V , FREQ:60HZ + MOVOL:575V , MOVOL:200V , MOVOL:230V) + IDRY:N



**10 - Air outlet Pack - 200V/230V - 50/60Hz, 500V - 50Hz, 575V - 60Hz**  
 (FREQ:50HZ + MOVOL:500V , FREQ:60HZ + MOVOL:575V , MOVOL:200V , MOVOL:230V) + IDRY:N

Ref	Part Number	Qty	Name	Validity
1010	2202 7618 00	1	PIPE UNION	(20/02/2013 - ...)
1020	1624 2950 80	1	DRAIN AUTOMATIC	(20/02/2013 - ...)
1030	0581 0000 43	2	BULKHEAD	(20/02/2013 - ...)
1035	0697 9810 25	2	PLUG	(03/06/2013 - ...)
1036	0697 9809 20	2	LOCK NUT	(03/06/2013 - ...)
1040	0583 8100 76	2	COUPLING	(20/02/2013 - ...)
1050	0070 6002 03	AR	PLASTIC TUBE	(21/06/2013 - ...)
1060	0583 8100 66	1	FITTING	(20/02/2013 - ...)
1070	0070 6002 68	AR	TUBE	(21/06/2013 - ...)
1080	0583 8120 73	1	FITTING PIPE	(20/02/2013 - ...)
1090	0070 6002 68	AR	TUBE	(21/06/2013 - ...)
1100	1625 4820 00	1	BUSHING	(20/02/2013 - ...)
1110	0697 9809 25	1	NUT	(20/02/2013 - ...)
1120	0580 0017 37	2	FITTING PIPE	(20/02/2013 - ...)
1130	1625 4821 00	1	PIPE OUTLET	(20/02/2013 - ...)

**Legend:**

FREQ:50HZ - Frequency:50 Hz  
 MOVOL:200V - Supply voltage:200 V  
 MOVOL:575V - Supply voltage:575 V

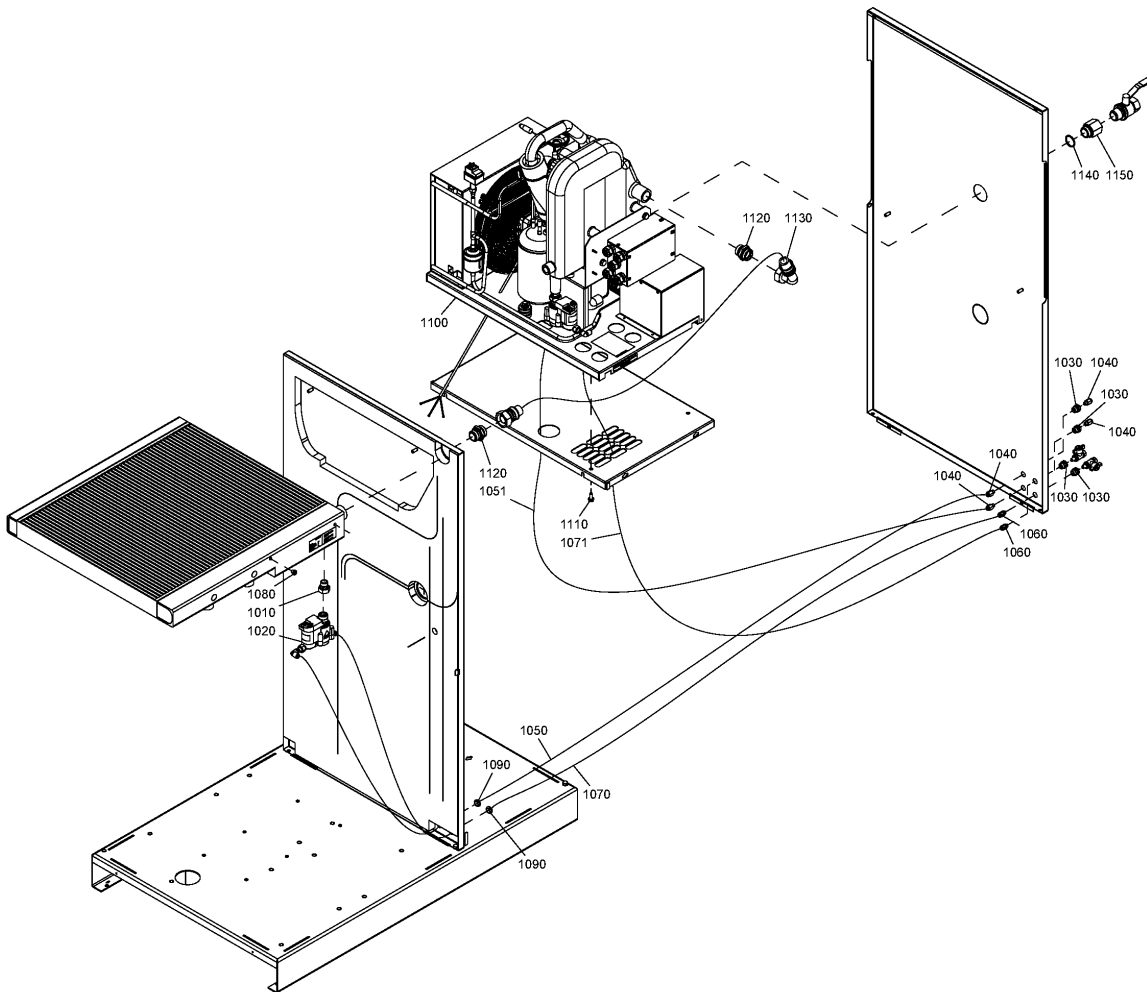
FREQ:60HZ - Frequency:60 Hz  
 MOVOL:230V - Supply voltage:230 V

IDRY:N - Integrated dryer:No  
 MOVOL:500V - Supply voltage:500 V



**11 - Air outlet Full Feature - 200V/230V/400V/500V - 50Hz, 400V+N - 50Hz, 200V/230V/380V/460V/575V - 60Hz**

((MODEL:GA18VP\_13 , MODEL:GA22VP\_13 , MODEL:GA26VP\_13 , MODEL:GA30VP\_13) + MOVOL:400VN , MOVOL:200V , MOVOL:230V , MOVOL:400V , MOVOL:500V) + FREQ:50HZ , (MOVOL:200V , MOVOL:230V , MOVOL:380V , MOVOL:460V , MOVOL:575V) + FREQ:60HZ) + IDRY:Y



**11 - Air outlet Full Feature - 200V/230V/400V/500V - 50Hz, 400V+N - 50Hz, 200V/230V/380V/460V/575V - 60Hz**

((MODEL:GA18VP\_13 , MODEL:GA22VP\_13 , MODEL:GA26VP\_13 , MODEL:GA30VP\_13) + MOVOL:400VN , MOVOL:200V , MOVOL:230V , MOVOL:400V , MOVOL:500V) + FREQ:50HZ , (MOVOL:200V , MOVOL:230V , MOVOL:380V , MOVOL:460V , MOVOL:575V) + FREQ:60HZ) + IDRY:Y

Ref	Part Number	Qty	Name	Validity
1010	2202 7618 00	1	PIPE	(20/02/2013 - 02/06/2013) ((MOVOL:200V , MOVOL:230V , MOVOL:380V , MOVOL:460V , MOVOL:575V) + FREQ:60HZ , (MOVOL:200V , MOVOL:230V , MOVOL:400V , MOVOL:400VN , MOVOL:500V) + FREQ:50HZ) + (MODEL:GA18VP_13 , MODEL:GA22VP_13 , MODEL:GA26VP_13 , MODEL:GA30VP_13) (03/06/2013 - 05/06/2013) ((MOVOL:200V , MOVOL:230V , MOVOL:380V , MOVOL:460V , MOVOL:575V) + FREQ:60HZ , (MOVOL:200V , MOVOL:230V , MOVOL:400V , MOVOL:400VN , MOVOL:500V) + FREQ:50HZ) + (MODEL:GA18VP_13 , MODEL:GA22VP_13 , MODEL:GA26VP_13 , MODEL:GA30VP_13) , (MOVOL:200V , MOVOL:230V , MOVOL:400V , MOVOL:500V) + FREQ:50HZ + MODEL:GA37VP_13 (06/06/2013 - 09/10/2013) (10/10/2013 - ...) ((MODEL:GA18VP_13 , MODEL:GA22VP_13 , MODEL:GA26VP_13 , MODEL:GA30VP_13) + MOVOL:400VN , MOVOL:200V , MOVOL:230V , MOVOL:400V , MOVOL:500V) + FREQ:50HZ , (MOVOL:230V , MOVOL:460V , MOVOL:575V) + FREQ:60HZ
1020	1624 2950 80	1	DRAIN AUTOMATIC	(20/02/2013 - 02/06/2013) ((MOVOL:200V , MOVOL:230V , MOVOL:380V , MOVOL:460V , MOVOL:575V) + FREQ:60HZ , (MOVOL:200V , MOVOL:230V , MOVOL:400V , MOVOL:400VN , MOVOL:500V) + FREQ:50HZ) + (MODEL:GA18VP_13 , MODEL:GA22VP_13 , MODEL:GA26VP_13 , MODEL:GA30VP_13) (03/06/2013 - 05/06/2013) ((MOVOL:200V , MOVOL:230V , MOVOL:380V , MOVOL:460V , MOVOL:575V) + FREQ:60HZ , (MOVOL:200V , MOVOL:230V , MOVOL:400V , MOVOL:400VN , MOVOL:500V) + FREQ:50HZ) + (MODEL:GA18VP_13 , MODEL:GA22VP_13 , MODEL:GA26VP_13 , MODEL:GA30VP_13) , (MOVOL:200V , MOVOL:230V , MOVOL:400V , MOVOL:500V) + FREQ:50HZ + MODEL:GA37VP_13 (06/06/2013 - 09/10/2013) (10/10/2013 - ...) ((MODEL:GA18VP_13 , MODEL:GA22VP_13 , MODEL:GA26VP_13 , MODEL:GA30VP_13) + MOVOL:400VN , MOVOL:200V , MOVOL:230V , MOVOL:400V , MOVOL:500V) + FREQ:50HZ , (MOVOL:230V , MOVOL:460V , MOVOL:575V) + FREQ:60HZ
1030	0581 0000 43	2	BULKHEAD	(20/02/2013 - 02/06/2013) ((MOVOL:200V , MOVOL:230V , MOVOL:380V , MOVOL:460V , MOVOL:575V) + FREQ:60HZ , (MOVOL:200V , MOVOL:230V , MOVOL:400V , MOVOL:400VN , MOVOL:500V) + FREQ:50HZ) + (MODEL:GA18VP_13 , MODEL:GA22VP_13 , MODEL:GA26VP_13 , MODEL:GA30VP_13) (03/06/2013 - 05/06/2013) ((MOVOL:200V , MOVOL:230V , MOVOL:380V , MOVOL:460V , MOVOL:575V) + FREQ:60HZ , (MOVOL:200V , MOVOL:230V , MOVOL:400V , MOVOL:400VN , MOVOL:500V) + FREQ:50HZ) + (MODEL:GA18VP_13 , MODEL:GA22VP_13 , MODEL:GA26VP_13 , MODEL:GA30VP_13) , (MOVOL:200V , MOVOL:230V , MOVOL:400V , MOVOL:500V) + FREQ:50HZ + MODEL:GA37VP_13 (06/06/2013 - 17/06/2013) (18/06/2013 - 09/10/2013) (MOVOL:200V , MOVOL:230V , MOVOL:380V , MOVOL:460V , MOVOL:575V) + FREQ:60HZ + MODEL:GA37VP_13 (10/10/2013 - ...) (MOVOL:230V , MOVOL:460V , MOVOL:575V) + FREQ:60HZ + MODEL:GA37VP_13
1030	0581 0000 43	4	BULKHEAD	(18/06/2013 - 09/10/2013) ((MOVOL:200V , MOVOL:230V , MOVOL:380V , MOVOL:460V , MOVOL:575V) + FREQ:60HZ , (MOVOL:200V , MOVOL:230V , MOVOL:400V , MOVOL:400VN , MOVOL:500V) + FREQ:50HZ) + (MODEL:GA18VP_13 , MODEL:GA22VP_13 , MODEL:GA26VP_13 , MODEL:GA30VP_13) , (MOVOL:200V , MOVOL:230V , MOVOL:400V , MOVOL:500V) + FREQ:50HZ + MODEL:GA37VP_13 (10/10/2013 - ...) ((MOVOL:200V , MOVOL:230V , MOVOL:400V , MOVOL:400VN , MOVOL:500V) + FREQ:50HZ , (MOVOL:230V , MOVOL:460V , MOVOL:575V) + FREQ:60HZ) + (MODEL:GA18VP_13 , MODEL:GA22VP_13 , MODEL:GA26VP_13 , MODEL:GA30VP_13) , (MOVOL:200V , MOVOL:230V , MOVOL:400V , MOVOL:500V) + FREQ:50HZ + MODEL:GA37VP_13

**Legend:**

FREQ:50HZ - Frequency:50 Hz  
MODEL:GA18VP\_13 - Model:GA 18VSD+  
MODEL:GA30VP\_13 - Model:GA 30VSD+  
MOVOL:230V - Supply voltage:230 V  
MOVOL:400VN - Supply voltage:400 V+N  
MOVOL:575V - Supply voltage:575 V

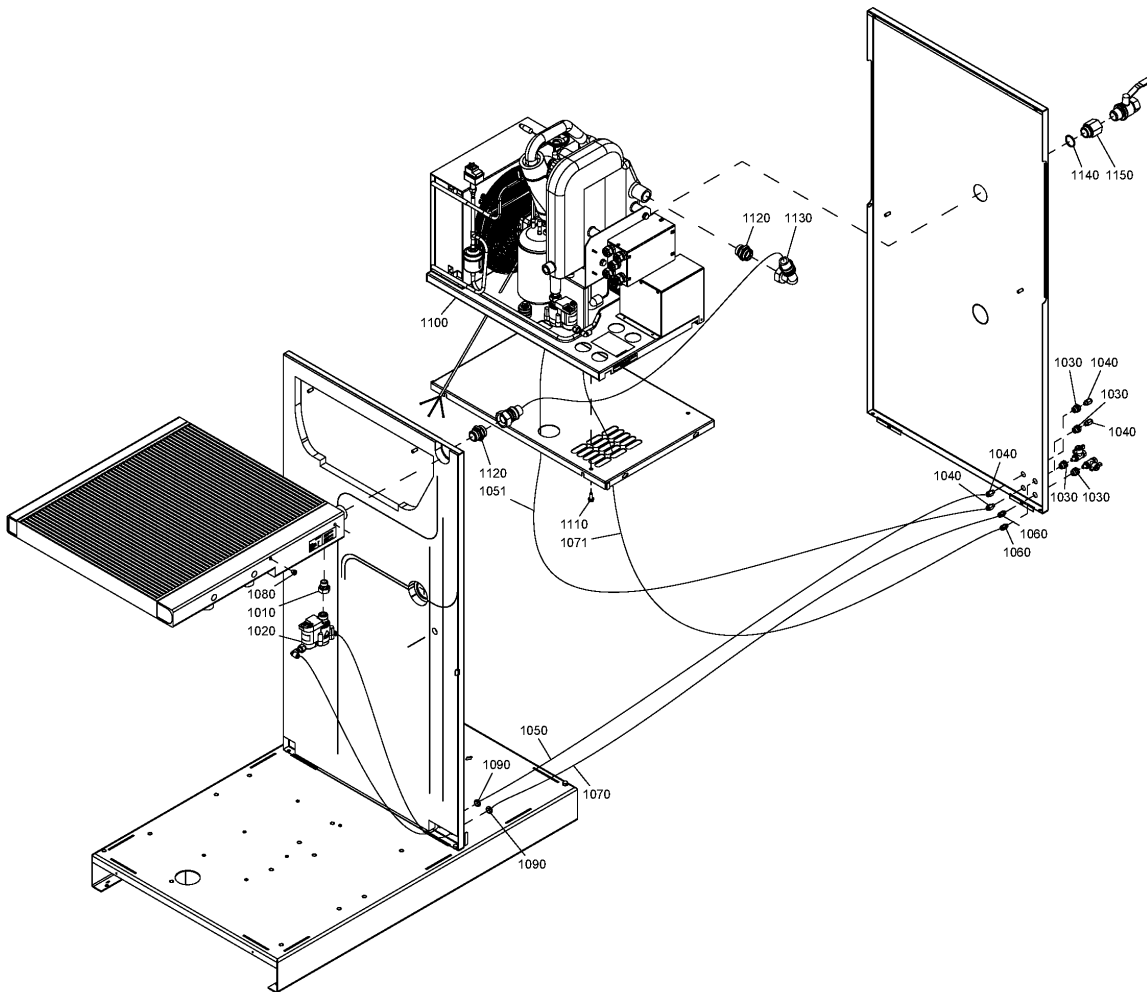
FREQ:60HZ - Frequency:60 Hz  
MODEL:GA22VP\_13 - Model:GA 22VSD+  
MODEL:GA37VP\_13 - Model:GA 37VSD+  
MOVOL:380V - Supply voltage:380 V  
MOVOL:460V - Supply voltage:460 V

IDRY:Y - Integrated dryer:Yes  
MODEL:GA26VP\_13 - Model:GA 26VSD+  
MOVOL:200V - Supply voltage:200 V  
MOVOL:400V - Supply voltage:400 V  
MOVOL:500V - Supply voltage:500 V



**11 - Air outlet Full Feature - 200V/230V/400V/500V - 50Hz, 400V+N - 50Hz, 200V/230V/380V/460V/575V - 60Hz**

((((MODEL:GA18VP\_13 , MODEL:GA22VP\_13 , MODEL:GA26VP\_13 , MODEL:GA30VP\_13) + MOVOL:400VN , MOVOL:200V , MOVOL:230V , MOVOL:400V , MOVOL:500V) + FREQ:50HZ , (MOVOL:200V , MOVOL:230V , MOVOL:380V , MOVOL:460V , MOVOL:575V) + FREQ:60HZ) + IDRY:Y



**11 - Air outlet Full Feature - 200V/230V/400V/500V - 50Hz, 400V+N - 50Hz,  
200V/230V/380V/460V/575V - 60Hz**

((MODEL:GA18VP\_13 , MODEL:GA22VP\_13 , MODEL:GA26VP\_13 , MODEL:GA30VP\_13) + MOVOL:400VN , MOVOL:200V , MOVOL:230V ,  
MOVOL:400V , MOVOL:500V) + FREQ:50HZ , (MOVOL:200V , MOVOL:230V , MOVOL:380V , MOVOL:460V , MOVOL:575V) + FREQ:60HZ) + IDRY:Y

Ref	Part Number	Qty	Name	Validity
1040	0583 8100 76	2	COUPLING	(20/02/2013 - 02/06/2013) ((MOVOL:200V , MOVOL:230V , MOVOL:380V , MOVOL:460V , MOVOL:575V) + FREQ:60HZ , (MOVOL:200V , MOVOL:230V , MOVOL:400V , MOVOL:400VN , MOVOL:500V) + FREQ:50HZ) + (MODEL:GA18VP_13 , MODEL:GA22VP_13 , MODEL:GA26VP_13 , MODEL:GA30VP_13) (03/06/2013 - 05/06/2013) ((MOVOL:200V , MOVOL:230V , MOVOL:380V , MOVOL:460V , MOVOL:575V) + FREQ:60HZ , (MOVOL:200V , MOVOL:230V , MOVOL:400V , MOVOL:400VN , MOVOL:500V) + FREQ:50HZ) + (MODEL:GA18VP_13 , MODEL:GA22VP_13 , MODEL:GA26VP_13 , MODEL:GA30VP_13) , (MOVOL:200V , MOVOL:230V , MOVOL:400V , MOVOL:500V) + FREQ:50HZ + MODEL:GA37VP_13 (06/06/2013 - 17/06/2013) (18/06/2013 - 09/10/2013) (MOVOL:200V , MOVOL:230V , MOVOL:380V , MOVOL:460V , MOVOL:575V) + FREQ:60HZ + MODEL:GA37VP_13 (10/10/2013 - ...) (MOVOL:230V , MOVOL:460V , MOVOL:575V) + FREQ:60HZ + MODEL:GA37VP_13
1040	0583 8100 76	4	COUPLING	(18/06/2013 - 09/10/2013) ((MOVOL:200V , MOVOL:230V , MOVOL:380V , MOVOL:460V , MOVOL:575V) + FREQ:60HZ , (MOVOL:200V , MOVOL:230V , MOVOL:400V , MOVOL:400VN , MOVOL:500V) + FREQ:50HZ) + (MODEL:GA18VP_13 , MODEL:GA22VP_13 , MODEL:GA26VP_13 , MODEL:GA30VP_13) , (MOVOL:200V , MOVOL:230V , MOVOL:400V , MOVOL:500V) + FREQ:50HZ + MODEL:GA37VP_13 (10/10/2013 - ...) ((MOVOL:200V , MOVOL:230V , MOVOL:400V , MOVOL:400VN , MOVOL:500V) + FREQ:50HZ , (MOVOL:230V , MOVOL:460V , MOVOL:575V) + FREQ:60HZ) + (MODEL:GA18VP_13 , MODEL:GA22VP_13 , MODEL:GA26VP_13 , MODEL:GA30VP_13) , (MOVOL:200V , MOVOL:230V , MOVOL:400V , MOVOL:500V) + FREQ:50HZ + MODEL:GA37VP_13
1050	0070 6002 03	AR	PLASTIC TUBE	(21/06/2013 - 09/10/2013) (10/10/2013 - ...) ((MODEL:GA18VP_13 , MODEL:GA22VP_13 , MODEL:GA26VP_13 , MODEL:GA30VP_13) + MOVOL:400VN , MOVOL:200V , MOVOL:230V , MOVOL:400V , MOVOL:500V) + FREQ:50HZ , (MOVOL:230V , MOVOL:460V , MOVOL:575V) + FREQ:60HZ
1051	0070 6002 03	AR	PLASTIC TUBE	(15/11/2013 - ...) ((MODEL:GA18VP_13 , MODEL:GA22VP_13 , MODEL:GA26VP_13 , MODEL:GA30VP_13) + MOVOL:400VN , MOVOL:200V , MOVOL:230V , MOVOL:400V , MOVOL:500V) + FREQ:50HZ , (MOVOL:230V , MOVOL:460V , MOVOL:575V) + FREQ:60HZ
1060	0583 8100 66	1	FITTING	(20/02/2013 - 02/06/2013) ((MOVOL:200V , MOVOL:230V , MOVOL:380V , MOVOL:460V , MOVOL:575V) + FREQ:60HZ , (MOVOL:200V , MOVOL:230V , MOVOL:400V , MOVOL:400VN , MOVOL:500V) + FREQ:50HZ) + (MODEL:GA18VP_13 , MODEL:GA22VP_13 , MODEL:GA26VP_13 , MODEL:GA30VP_13) (03/06/2013 - 05/06/2013) ((MOVOL:200V , MOVOL:230V , MOVOL:380V , MOVOL:460V , MOVOL:575V) + FREQ:60HZ , (MOVOL:200V , MOVOL:230V , MOVOL:400V , MOVOL:400VN , MOVOL:500V) + FREQ:50HZ) + (MODEL:GA18VP_13 , MODEL:GA22VP_13 , MODEL:GA26VP_13 , MODEL:GA30VP_13) , (MOVOL:200V , MOVOL:230V , MOVOL:400V , MOVOL:500V) + FREQ:50HZ + MODEL:GA37VP_13 (06/06/2013 - 17/06/2013) (18/06/2013 - 09/10/2013) (MOVOL:200V , MOVOL:230V , MOVOL:380V , MOVOL:460V , MOVOL:575V) + FREQ:60HZ + MODEL:GA37VP_13 (10/10/2013 - ...) (MOVOL:230V , MOVOL:460V , MOVOL:575V) + FREQ:60HZ + MODEL:GA37VP_13

**Legend:**

FREQ:50HZ - Frequency:50 Hz  
MODEL:GA18VP\_13 - Model:GA 18VSD+  
MODEL:GA30VP\_13 - Model:GA 30VSD+  
MOVOL:230V - Supply voltage:230 V  
MOVOL:400VN - Supply voltage:400 V+N  
MOVOL:575V - Supply voltage:575 V

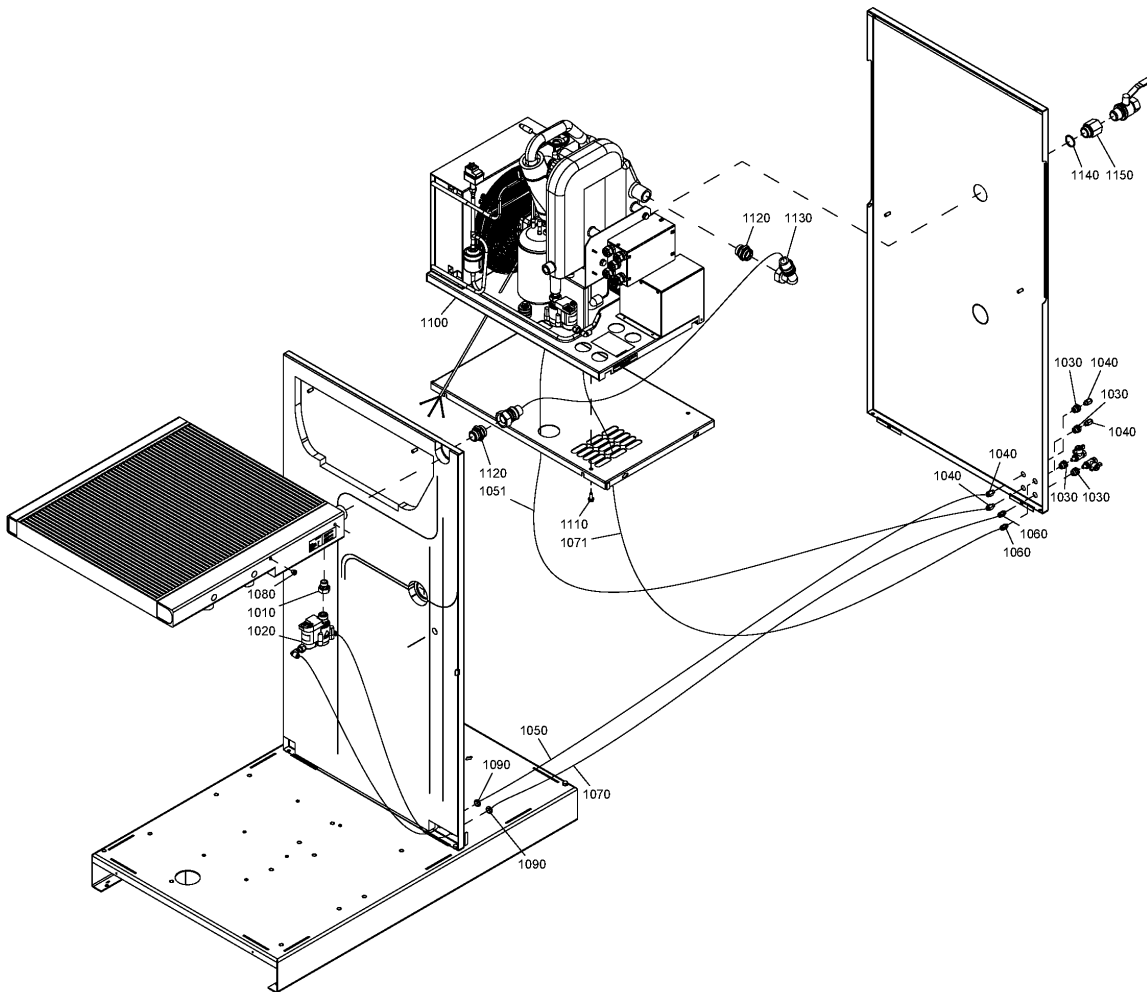
FREQ:60HZ - Frequency:60 Hz  
MODEL:GA22VP\_13 - Model:GA 22VSD+  
MODEL:GA37VP\_13 - Model:GA 37VSD+  
MOVOL:380V - Supply voltage:380 V  
MOVOL:460V - Supply voltage:460 V

IDRY:Y - Integrated dryer:Yes  
MODEL:GA26VP\_13 - Model:GA 26VSD+  
MOVOL:200V - Supply voltage:200 V  
MOVOL:400V - Supply voltage:400 V  
MOVOL:500V - Supply voltage:500 V



**11 - Air outlet Full Feature - 200V/230V/400V/500V - 50Hz, 400V+N - 50Hz,  
200V/230V/380V/460V/575V - 60Hz**

((MODEL:GA18VP\_13 , MODEL:GA22VP\_13 , MODEL:GA26VP\_13 , MODEL:GA30VP\_13) + MOVOL:400VN , MOVOL:200V , MOVOL:230V ,  
MOVOL:400V , MOVOL:500V) + FREQ:50HZ , (MOVOL:200V , MOVOL:230V , MOVOL:380V , MOVOL:460V , MOVOL:575V) + FREQ:60HZ) + IDRY:Y



**11 - Air outlet Full Feature - 200V/230V/400V/500V - 50Hz, 400V+N - 50Hz, 200V/230V/380V/460V/575V - 60Hz**

((MODEL:GA18VP\_13, MODEL:GA22VP\_13, MODEL:GA26VP\_13, MODEL:GA30VP\_13) + MOVOL:400VN, MOVOL:200V, MOVOL:230V, MOVOL:400V, MOVOL:500V) + FREQ:50HZ, (MOVOL:200V, MOVOL:230V, MOVOL:380V, MOVOL:460V, MOVOL:575V) + FREQ:60HZ) + IDRY:Y

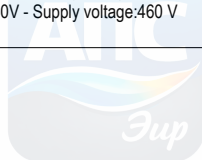
Ref	Part Number	Qty	Name	Validity
1060	0583 8100 66	2	FITTING	(18/06/2013 - 09/10/2013) ((MOVOL:200V, MOVOL:230V, MOVOL:380V, MOVOL:460V, MOVOL:575V) + FREQ:60HZ, (MOVOL:200V, MOVOL:230V, MOVOL:400V, MOVOL:400VN, MOVOL:500V) + FREQ:50HZ) + (MODEL:GA18VP_13, MODEL:GA22VP_13, MODEL:GA26VP_13, MODEL:GA30VP_13), (MOVOL:200V, MOVOL:230V, MOVOL:400V, MOVOL:500V) + FREQ:50HZ + MODEL:GA37VP_13 (10/10/2013 - ...) ((MOVOL:200V, MOVOL:230V, MOVOL:400V, MOVOL:400VN, MOVOL:500V) + FREQ:50HZ, (MOVOL:230V, MOVOL:460V, MOVOL:575V) + FREQ:60HZ) + (MODEL:GA18VP_13, MODEL:GA22VP_13, MODEL:GA26VP_13, MODEL:GA30VP_13), (MOVOL:200V, MOVOL:230V, MOVOL:400V, MOVOL:500V) + FREQ:50HZ + MODEL:GA37VP_13
1070	0070 6002 68	AR	TUBE	(21/06/2013 - 09/10/2013) (10/10/2013 - ...) ((MODEL:GA18VP_13, MODEL:GA22VP_13, MODEL:GA26VP_13, MODEL:GA30VP_13) + MOVOL:400VN, MOVOL:200V, MOVOL:230V, MOVOL:400V, MOVOL:500V) + FREQ:50HZ, (MOVOL:230V, MOVOL:460V, MOVOL:575V) + FREQ:60HZ
1071	0070 6002 68	AR	TUBE	(15/11/2013 - ...) ((MODEL:GA18VP_13, MODEL:GA22VP_13, MODEL:GA26VP_13, MODEL:GA30VP_13) + MOVOL:400VN, MOVOL:200V, MOVOL:230V, MOVOL:400V, MOVOL:500V) + FREQ:50HZ, (MOVOL:230V, MOVOL:460V, MOVOL:575V) + FREQ:60HZ
1080	0686 3718 14	1	PLUG	(20/02/2013 - 02/06/2013) ((MOVOL:200V, MOVOL:230V, MOVOL:380V, MOVOL:460V, MOVOL:575V) + FREQ:60HZ, (MOVOL:200V, MOVOL:230V, MOVOL:400V, MOVOL:400VN, MOVOL:500V) + FREQ:50HZ) + (MODEL:GA18VP_13, MODEL:GA22VP_13, MODEL:GA26VP_13, MODEL:GA30VP_13) (03/06/2013 - 05/06/2013) ((MOVOL:200V, MOVOL:230V, MOVOL:380V, MOVOL:460V, MOVOL:575V) + FREQ:60HZ, (MOVOL:200V, MOVOL:230V, MOVOL:400V, MOVOL:400VN, MOVOL:500V) + FREQ:50HZ) + (MODEL:GA18VP_13, MODEL:GA22VP_13, MODEL:GA26VP_13, MODEL:GA30VP_13), (MOVOL:200V, MOVOL:230V, MOVOL:400V, MOVOL:500V) + FREQ:50HZ + MODEL:GA37VP_13 (06/06/2013 - 09/10/2013) (10/10/2013 - ...) ((MODEL:GA18VP_13, MODEL:GA22VP_13, MODEL:GA26VP_13, MODEL:GA30VP_13) + MOVOL:400VN, MOVOL:200V, MOVOL:230V, MOVOL:400V, MOVOL:500V) + FREQ:50HZ, (MOVOL:230V, MOVOL:460V, MOVOL:575V) + FREQ:60HZ
1090	0698 0150 00	1	GROMMET	(20/02/2013 - 02/06/2013) ((MOVOL:200V, MOVOL:230V, MOVOL:380V, MOVOL:460V, MOVOL:575V) + FREQ:60HZ, (MOVOL:200V, MOVOL:230V, MOVOL:400V, MOVOL:400VN, MOVOL:500V) + FREQ:50HZ) + (MODEL:GA18VP_13, MODEL:GA22VP_13, MODEL:GA26VP_13, MODEL:GA30VP_13) (03/06/2013 - 05/06/2013) ((MOVOL:200V, MOVOL:230V, MOVOL:380V, MOVOL:460V, MOVOL:575V) + FREQ:60HZ, (MOVOL:200V, MOVOL:230V, MOVOL:400V, MOVOL:400VN, MOVOL:500V) + FREQ:50HZ) + (MODEL:GA18VP_13, MODEL:GA22VP_13, MODEL:GA26VP_13, MODEL:GA30VP_13), (MOVOL:200V, MOVOL:230V, MOVOL:400V, MOVOL:500V) + FREQ:50HZ + MODEL:GA37VP_13 (06/06/2013 - 09/10/2013) (10/10/2013 - 14/11/2013) ((MODEL:GA18VP_13, MODEL:GA22VP_13, MODEL:GA26VP_13, MODEL:GA30VP_13) + MOVOL:400VN, MOVOL:200V, MOVOL:230V, MOVOL:400V, MOVOL:500V) + FREQ:50HZ, (MOVOL:230V, MOVOL:460V, MOVOL:575V) + FREQ:60HZ
1100	1627 1586 82	1	AIR DRYER	(20/02/2013 - ...) (MODEL:GA18VP_13, MODEL:GA22VP_13) + (MOVOL:200V, MOVOL:230V, MOVOL:400V, MOVOL:500V) + FREQ:50HZ
1100	1627 1586 81	1	AIR DRYER	(20/02/2013 - ...) (MODEL:GA18VP_13, MODEL:GA22VP_13) + FREQ:50HZ + MOVOL:400VN
1100	1627 1586 83	1	AIR DRYER	(20/02/2013 - 09/10/2013) (MODEL:GA18VP_13, MODEL:GA22VP_13) + (MOVOL:200V, MOVOL:230V, MOVOL:380V, MOVOL:460V, MOVOL:575V) + FREQ:60HZ (10/10/2013 - ...) (MODEL:GA18VP_13, MODEL:GA22VP_13) + (MOVOL:230V, MOVOL:460V, MOVOL:575V) + FREQ:60HZ
1100	1627 1587 81	1	AIR DRYER	(20/02/2013 - ...) (MODEL:GA26VP_13, MODEL:GA30VP_13) + FREQ:50HZ + MOVOL:400VN

**Legend:**

FREQ:50HZ - Frequency:50 Hz  
MODEL:GA18VP\_13 - Model:GA 18VSD+  
MODEL:GA30VP\_13 - Model:GA 30VSD+  
MOVOL:230V - Supply voltage:230 V  
MOVOL:400VN - Supply voltage:400 V+N  
MOVOL:575V - Supply voltage:575 V

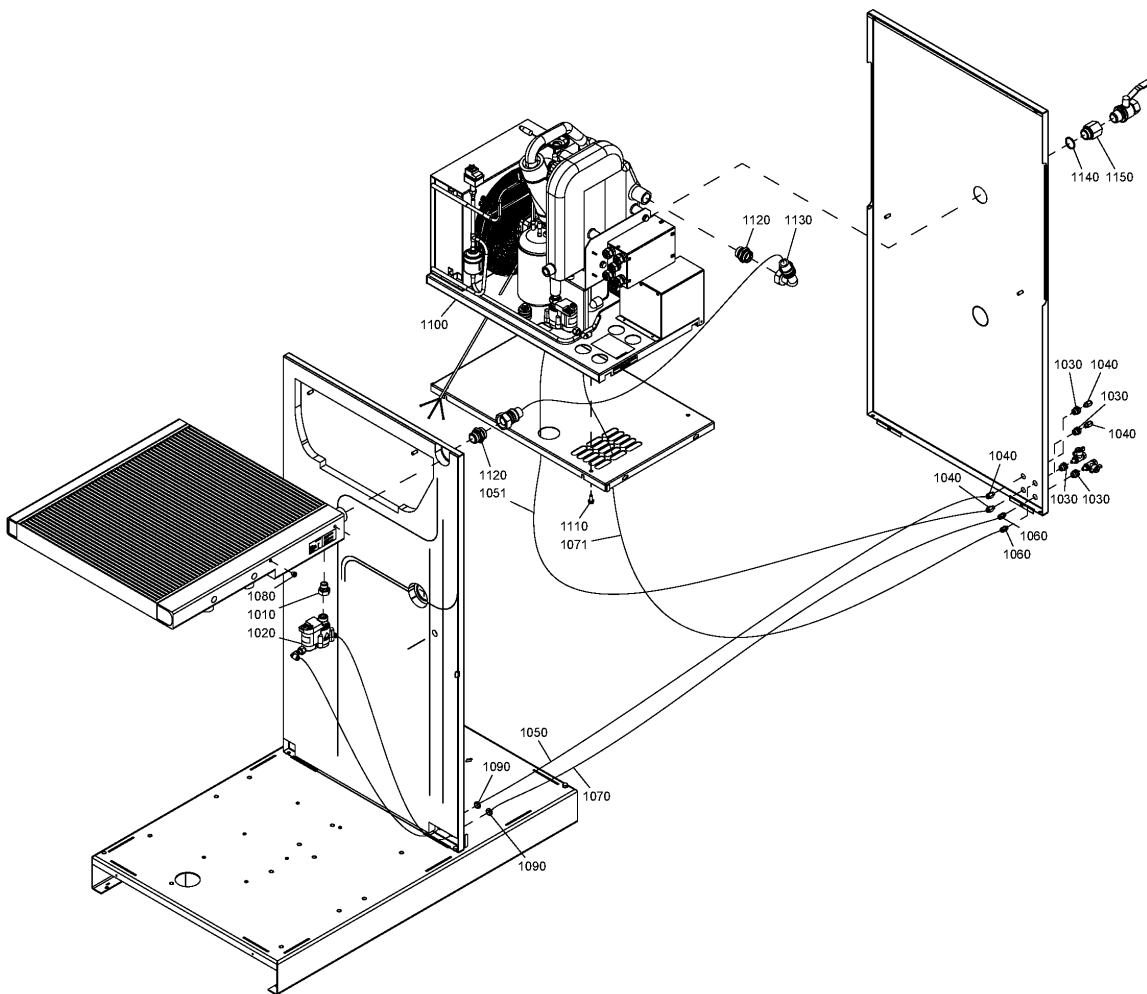
FREQ:60HZ - Frequency:60 Hz  
MODEL:GA22VP\_13 - Model:GA 22VSD+  
MODEL:GA37VP\_13 - Model:GA 37VSD+  
MOVOL:380V - Supply voltage:380 V  
MOVOL:460V - Supply voltage:460 V

IDRY:Y - Integrated dryer:Yes  
MODEL:GA26VP\_13 - Model:GA 26VSD+  
MOVOL:200V - Supply voltage:200 V  
MOVOL:400V - Supply voltage:400 V  
MOVOL:500V - Supply voltage:500 V



**11 - Air outlet Full Feature - 200V/230V/400V/500V - 50Hz, 400V+N - 50Hz, 200V/230V/380V/460V/575V - 60Hz**

((((MODEL:GA18VP\_13 , MODEL:GA22VP\_13 , MODEL:GA26VP\_13 , MODEL:GA30VP\_13) + MOVOL:400VN , MOVOL:200V , MOVOL:230V , MOVOL:400V , MOVOL:500V) + FREQ:50HZ , (MOVOL:200V , MOVOL:230V , MOVOL:380V , MOVOL:460V , MOVOL:575V) + FREQ:60HZ) + IDRY:Y



**11 - Air outlet Full Feature - 200V/230V/400V/500V - 50Hz, 400V+N - 50Hz, 200V/230V/380V/460V/575V - 60Hz**

((MODEL:GA18VP\_13 , MODEL:GA22VP\_13 , MODEL:GA26VP\_13 , MODEL:GA30VP\_13) + MOVOL:400VN , MOVOL:200V , MOVOL:230V , MOVOL:400V , MOVOL:500V) + FREQ:50HZ , (MOVOL:200V , MOVOL:230V , MOVOL:380V , MOVOL:460V , MOVOL:575V) + FREQ:60HZ) + IDRY:Y

Ref	Part Number	Qty	Name	Validity
1100	1627 1587 82	1	AIR DRYER	(20/02/2013 - 02/06/2013) (MODEL:GA26VP_13 , MODEL:GA30VP_13) + (MOVOL:200V , MOVOL:230V , MOVOL:400V , MOVOL:500V) + FREQ:50HZ (03/06/2013 - ...) (MODEL:GA26VP_13 , MODEL:GA30VP_13 , MODEL:GA37VP_13) + (MOVOL:200V , MOVOL:230V , MOVOL:400V , MOVOL:500V) + FREQ:50HZ
1100	1627 1587 83	1	AIR DRYER	(20/02/2013 - 09/10/2013) (MODEL:GA26VP_13 , MODEL:GA30VP_13) + (MOVOL:200V , MOVOL:230V , MOVOL:380V , MOVOL:460V , MOVOL:575V) + FREQ:60HZ (10/10/2013 - ...) (MODEL:GA26VP_13 , MODEL:GA30VP_13) + (MOVOL:230V , MOVOL:460V , MOVOL:575V) + FREQ:60HZ
1100	1627 1587 84	1	AIR DRYER	(06/06/2013 - 09/10/2013) (MOVOL:200V , MOVOL:230V , MOVOL:380V , MOVOL:460V , MOVOL:575V) + FREQ:60HZ + MODEL:GA37VP_13 (10/10/2013 - ...) (MOVOL:230V , MOVOL:460V , MOVOL:575V) + FREQ:60HZ + MODEL:GA37VP_13
1110	0147 1963 08	4	HEXAGON SCREW	(20/02/2013 - 02/06/2013) ((MOVOL:200V , MOVOL:230V , MOVOL:380V , MOVOL:460V , MOVOL:575V) + FREQ:60HZ , (MOVOL:200V , MOVOL:230V , MOVOL:400V , MOVOL:400VN , MOVOL:500V) + FREQ:50HZ) + (MODEL:GA18VP_13 , MODEL:GA22VP_13 , MODEL:GA26VP_13 , MODEL:GA30VP_13) (03/06/2013 - 05/06/2013) ((MOVOL:200V , MOVOL:230V , MOVOL:380V , MOVOL:460V , MOVOL:575V) + FREQ:60HZ , (MOVOL:200V , MOVOL:230V , MOVOL:400V , MOVOL:400VN , MOVOL:500V) + FREQ:50HZ) + (MODEL:GA18VP_13 , MODEL:GA22VP_13 , MODEL:GA26VP_13 , MODEL:GA30VP_13) , (MOVOL:200V , MOVOL:230V , MOVOL:400V , MOVOL:500V) + FREQ:50HZ + MODEL:GA37VP_13 (06/06/2013 - 09/10/2013) (10/10/2013 - ...) ((MODEL:GA18VP_13 , MODEL:GA22VP_13 , MODEL:GA26VP_13 , MODEL:GA30VP_13) + MOVOL:400VN , MOVOL:200V , MOVOL:230V , MOVOL:400V , MOVOL:500V) + FREQ:50HZ , (MOVOL:230V , MOVOL:460V , MOVOL:575V) + FREQ:60HZ
1120	0580 0017 37	2	FITTING PIPE	(20/02/2013 - 02/06/2013) ((MOVOL:200V , MOVOL:230V , MOVOL:380V , MOVOL:460V , MOVOL:575V) + FREQ:60HZ , (MOVOL:200V , MOVOL:230V , MOVOL:400V , MOVOL:400VN , MOVOL:500V) + FREQ:50HZ) + (MODEL:GA18VP_13 , MODEL:GA22VP_13 , MODEL:GA26VP_13 , MODEL:GA30VP_13) (03/06/2013 - 05/06/2013) ((MOVOL:200V , MOVOL:230V , MOVOL:380V , MOVOL:460V , MOVOL:575V) + FREQ:60HZ , (MOVOL:200V , MOVOL:230V , MOVOL:400V , MOVOL:400VN , MOVOL:500V) + FREQ:50HZ) + (MODEL:GA18VP_13 , MODEL:GA22VP_13 , MODEL:GA26VP_13 , MODEL:GA30VP_13) , (MOVOL:200V , MOVOL:230V , MOVOL:400V , MOVOL:500V) + FREQ:50HZ + MODEL:GA37VP_13 (06/06/2013 - 09/10/2013) (10/10/2013 - 01/10/2014) ((MODEL:GA18VP_13 , MODEL:GA22VP_13 , MODEL:GA26VP_13 , MODEL:GA30VP_13) + MOVOL:400VN , MOVOL:200V , MOVOL:230V , MOVOL:400V , MOVOL:500V) + FREQ:50HZ , (MOVOL:230V , MOVOL:460V , MOVOL:575V) + FREQ:60HZ (30/10/2014 - ...) ((MODEL:GA18VP_13 , MODEL:GA22VP_13 , MODEL:GA26VP_13 , MODEL:GA30VP_13) + MOVOL:400VN , MOVOL:200V , MOVOL:230V , MOVOL:400V , MOVOL:500V) + FREQ:50HZ , (MOVOL:230V , MOVOL:460V , MOVOL:575V) + FREQ:60HZ
1120	1622 4867 12	2	HEXAGON NIPPLE	(02/10/2014 - 29/10/2014) ((MODEL:GA18VP_13 , MODEL:GA22VP_13 , MODEL:GA26VP_13 , MODEL:GA30VP_13) + MOVOL:400VN , MOVOL:200V , MOVOL:230V , MOVOL:400V , MOVOL:500V) + FREQ:50HZ , (MOVOL:230V , MOVOL:460V , MOVOL:575V) + FREQ:60HZ
1130	1625 4807 06	1	HOSE ASSEMBLY	(10/10/2013 - ...) ((MODEL:GA18VP_13 , MODEL:GA22VP_13 , MODEL:GA26VP_13 , MODEL:GA30VP_13) + MOVOL:400VN , MOVOL:200V , MOVOL:230V , MOVOL:400V , MOVOL:500V) + FREQ:50HZ , (MOVOL:230V , MOVOL:460V , MOVOL:575V) + FREQ:60HZ

**Legend:**

FREQ:50HZ - Frequency:50 Hz  
 MODEL:GA18VP\_13 - Model:GA 18VSD+  
 MODEL:GA30VP\_13 - Model:GA 30VSD+  
 MOVOL:230V - Supply voltage:230 V  
 MOVOL:400VN - Supply voltage:400 V+N  
 MOVOL:575V - Supply voltage:575 V

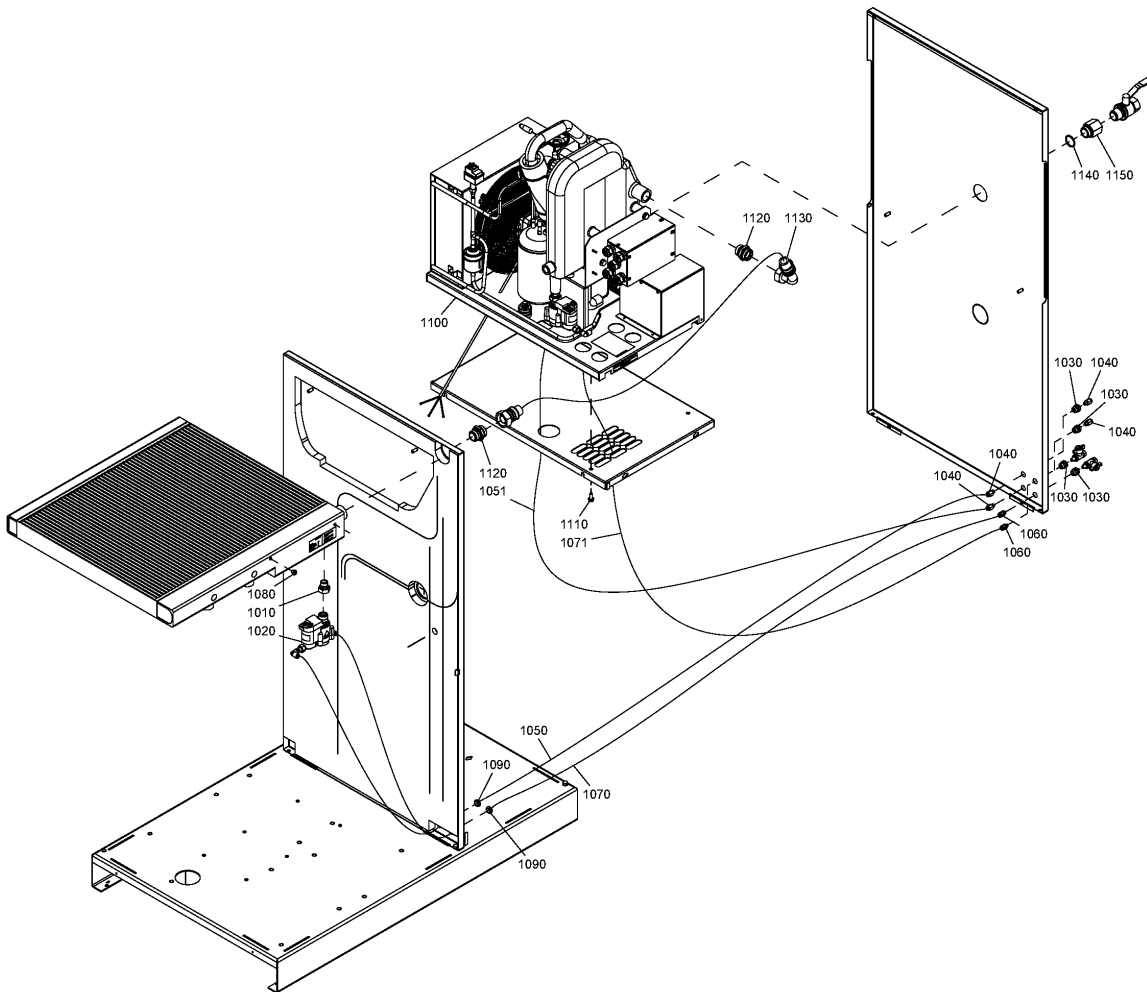
FREQ:60HZ - Frequency:60 Hz  
 MODEL:GA22VP\_13 - Model:GA 22VSD+  
 MODEL:GA37VP\_13 - Model:GA 37VSD+  
 MOVOL:380V - Supply voltage:380 V  
 MOVOL:460V - Supply voltage:460 V

IDRY:Y - Integrated dryer:Yes  
 MODEL:GA26VP\_13 - Model:GA 26VSD+  
 MOVOL:200V - Supply voltage:200 V  
 MOVOL:400V - Supply voltage:400 V  
 MOVOL:500V - Supply voltage:500 V




**11 - Air outlet Full Feature - 200V/230V/400V/500V - 50Hz, 400V+N - 50Hz, 200V/230V/380V/460V/575V - 60Hz**

((((MODEL:GA18VP\_13 , MODEL:GA22VP\_13 , MODEL:GA26VP\_13 , MODEL:GA30VP\_13) + MOVOL:400VN , MOVOL:200V , MOVOL:230V , MOVOL:400V , MOVOL:500V) + FREQ:50HZ , (MOVOL:200V , MOVOL:230V , MOVOL:380V , MOVOL:460V , MOVOL:575V) + FREQ:60HZ) + IDRY:Y



**11 - Air outlet Full Feature - 200V/230V/400V/500V - 50Hz, 400V+N - 50Hz, 200V/230V/380V/460V/575V - 60Hz**

((MODEL:GA18VP\_13 , MODEL:GA22VP\_13 , MODEL:GA26VP\_13 , MODEL:GA30VP\_13) + MOVOL:400VN , MOVOL:200V , MOVOL:230V , MOVOL:400V , MOVOL:500V) + FREQ:50HZ , (MOVOL:200V , MOVOL:230V , MOVOL:380V , MOVOL:460V , MOVOL:575V) + FREQ:60HZ) + IDRY:Y

Ref	Part Number	Qty	Name	Validity
1130	1625 4808 00	1	PIPE AFTERCOOLER - DRYER	(20/02/2013 - 02/06/2013) ((MOVOL:200V , MOVOL:230V , MOVOL:380V , MOVOL:460V , MOVOL:575V) + FREQ:60HZ , (MOVOL:200V , MOVOL:230V , MOVOL:400V , MOVOL:400VN , MOVOL:500V) + FREQ:50HZ) + (MODEL:GA18VP_13 , MODEL:GA22VP_13 , MODEL:GA26VP_13 , MODEL:GA30VP_13) (03/06/2013 - 05/06/2013) ((MOVOL:200V , MOVOL:230V , MOVOL:380V , MOVOL:460V , MOVOL:575V) + FREQ:60HZ , (MOVOL:200V , MOVOL:230V , MOVOL:400V , MOVOL:400VN , MOVOL:500V) + FREQ:50HZ) + (MODEL:GA18VP_13 , MODEL:GA22VP_13 , MODEL:GA26VP_13 , MODEL:GA30VP_13) , (MOVOL:200V , MOVOL:230V , MOVOL:400V , MOVOL:500V) + FREQ:50HZ + MODEL:GA37VP_13 (06/06/2013 - 09/10/2013)
	 <b>Substituted by:</b> 1625 4807 06 - HOSE ASSEMBLY (quantity: 1)			
1140	0663 3130 00	1	O-RING	(20/02/2013 - 02/06/2013) ((MOVOL:200V , MOVOL:230V , MOVOL:380V , MOVOL:460V , MOVOL:575V) + FREQ:60HZ , (MOVOL:200V , MOVOL:230V , MOVOL:400V , MOVOL:400VN , MOVOL:500V) + FREQ:50HZ) + (MODEL:GA18VP_13 , MODEL:GA22VP_13 , MODEL:GA26VP_13 , MODEL:GA30VP_13) (03/06/2013 - 05/06/2013) ((MOVOL:200V , MOVOL:230V , MOVOL:380V , MOVOL:460V , MOVOL:575V) + FREQ:60HZ , (MOVOL:200V , MOVOL:230V , MOVOL:400V , MOVOL:400VN , MOVOL:500V) + FREQ:50HZ) + (MODEL:GA18VP_13 , MODEL:GA22VP_13 , MODEL:GA26VP_13 , MODEL:GA30VP_13) , (MOVOL:200V , MOVOL:230V , MOVOL:400V , MOVOL:500V) + FREQ:50HZ + MODEL:GA37VP_13 (06/06/2013 - 09/10/2013) (10/10/2013 - ...) ((MODEL:GA18VP_13 , MODEL:GA22VP_13 , MODEL:GA26VP_13 , MODEL:GA30VP_13) + MOVOL:400VN , MOVOL:200V , MOVOL:230V , MOVOL:400V , MOVOL:500V) + FREQ:50HZ , (MOVOL:230V , MOVOL:460V , MOVOL:575V) + FREQ:60HZ
1150	1625 4819 00	1	BUSHING	(20/02/2013 - 02/06/2013) ((MOVOL:200V , MOVOL:230V , MOVOL:380V , MOVOL:460V , MOVOL:575V) + FREQ:60HZ , (MOVOL:200V , MOVOL:230V , MOVOL:400V , MOVOL:400VN , MOVOL:500V) + FREQ:50HZ) + (MODEL:GA18VP_13 , MODEL:GA22VP_13 , MODEL:GA26VP_13 , MODEL:GA30VP_13) (03/06/2013 - 05/06/2013) ((MOVOL:200V , MOVOL:230V , MOVOL:380V , MOVOL:460V , MOVOL:575V) + FREQ:60HZ , (MOVOL:200V , MOVOL:230V , MOVOL:400V , MOVOL:400VN , MOVOL:500V) + FREQ:50HZ) + (MODEL:GA18VP_13 , MODEL:GA22VP_13 , MODEL:GA26VP_13 , MODEL:GA30VP_13) , (MOVOL:200V , MOVOL:230V , MOVOL:400V , MOVOL:500V) + FREQ:50HZ + MODEL:GA37VP_13 (06/06/2013 - 09/10/2013) (10/10/2013 - ...) ((MODEL:GA18VP_13 , MODEL:GA22VP_13 , MODEL:GA26VP_13 , MODEL:GA30VP_13) + MOVOL:400VN , MOVOL:200V , MOVOL:230V , MOVOL:400V , MOVOL:500V) + FREQ:50HZ , (MOVOL:230V , MOVOL:460V , MOVOL:575V) + FREQ:60HZ

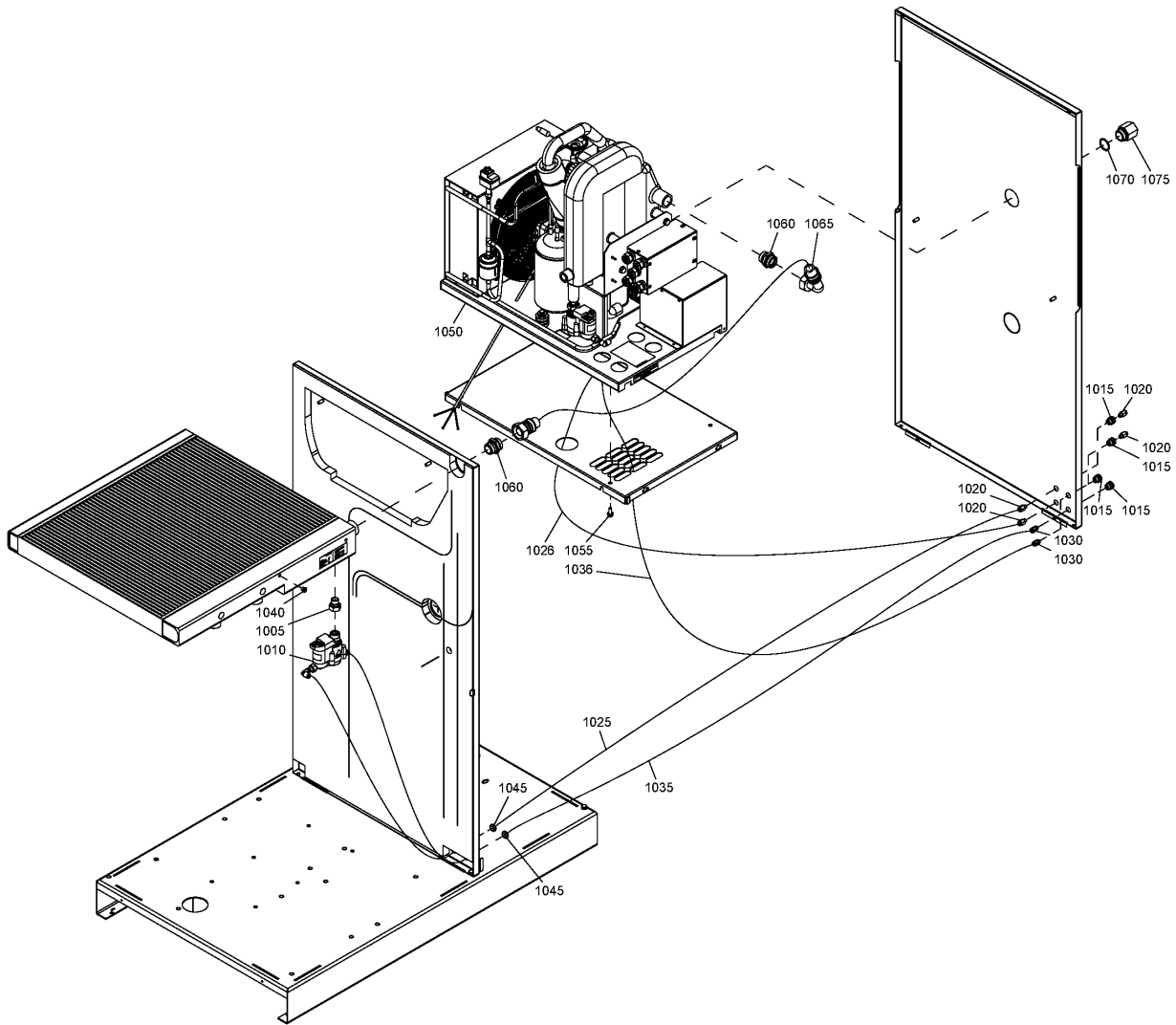
**Legend:**

FREQ:50HZ - Frequency:50 Hz  
 MODEL:GA18VP\_13 - Model:GA 18VSD+  
 MODEL:GA30VP\_13 - Model:GA 30VSD+  
 MOVOL:230V - Supply voltage:230 V  
 MOVOL:400VN - Supply voltage:400 V+N  
 MOVOL:575V - Supply voltage:575 V

FREQ:60HZ - Frequency:60 Hz  
 MODEL:GA22VP\_13 - Model:GA 22VSD+  
 MODEL:GA37VP\_13 - Model:GA 37VSD+  
 MOVOL:380V - Supply voltage:380 V  
 MOVOL:460V - Supply voltage:460 V


IDRY:Y - Integrated dryer:Yes  
 MODEL:GA26VP\_13 - Model:GA 26VSD+  
 MOVOL:200V - Supply voltage:200 V  
 MOVOL:400V - Supply voltage:400 V  
 MOVOL:500V - Supply voltage:500 V





**12 - Air outlet Full Feature - 200V/380V - 60Hz**

(MOVOL:200V , MOVOL:380V) + FREQ:60HZ + IDRY:Y

Ref	Part Number	Qty	Name	Validity
1005	2202 7618 00	1	PIPE UNION	(10/10/2013 - ...)
1010	1624 2950 80	1	DRAIN AUTOMATIC	(10/10/2013 - ...)
1015	0581 0000 43	4	BULKHEAD	(10/10/2013 - ...) MODEL:GA18VP_13 , MODEL:GA22VP_13 , MODEL:GA26VP_13 , MODEL:GA30VP_13
1015	0581 0000 43	2	BULKHEAD	(10/10/2013 - ...) MODEL:GA37VP_13
1020	0583 8100 76	4	COUPLING	(10/10/2013 - ...) MODEL:GA18VP_13 , MODEL:GA22VP_13 , MODEL:GA26VP_13 , MODEL:GA30VP_13
1020	0583 8100 76	2	COUPLING	(10/10/2013 - ...) MODEL:GA37VP_13
1025	0070 6002 03	AR	PLASTIC TUBE	(10/10/2013 - ...)
1026	0070 6002 03	AR	PLASTIC TUBE	(15/11/2013 - ...)
1030	0583 8100 66	2	FITTING	(10/10/2013 - ...) MODEL:GA18VP_13 , MODEL:GA22VP_13 , MODEL:GA26VP_13 , MODEL:GA30VP_13
1030	0583 8100 66	1	FITTING	(10/10/2013 - ...) MODEL:GA37VP_13
1035	0070 6002 68	AR	TUBE	(10/10/2013 - ...)
1036	0070 6002 68	AR	TUBE	(15/11/2013 - ...)
1040	0686 3718 14	AR	PLUG	(10/10/2013 - ...)
1045	0698 0150 00	1	GROMMET	(10/10/2013 - 14/11/2013)
1050	1627 1586 84	1	AIR DRYER	(10/10/2013 - ...) MODEL:GA18VP_13 , MODEL:GA22VP_13
1050	1627 1587 85	1	AIR DRYER	(10/10/2013 - ...) MODEL:GA26VP_13 , MODEL:GA30VP_13
1050	1627 1587 86	1	AIR DRYER	(10/10/2013 - ...) MODEL:GA37VP_13
1055	0147 1963 08	4	SCREW	(10/10/2013 - ...)
1060	0580 0017 37	2	FITTING PIPE	(10/10/2013 - 01/10/2014)
1065	1625 4808 00	1	PIPE	(10/10/2013 - 15/10/2013)
	 Substituted by:	1625 4807 06 - HOSE ASSEMBLY (quantity: 1)		
1065	1625 4807 06	1	HOSE ASSEMBLY	(16/10/2013 - ...)
1070	0663 3130 00	1	O-RING	(10/10/2013 - ...)
1075	1625 4819 00	1	BUSHING	(10/10/2013 - ...)

**Legend:**

FREQ:60HZ - Frequency:60 Hz

MODEL:GA22VP\_13 - Model:GA 22VSD+

MODEL:GA37VP\_13 - Model:GA 37VSD+

IDRY:Y - Integrated dryer:Yes

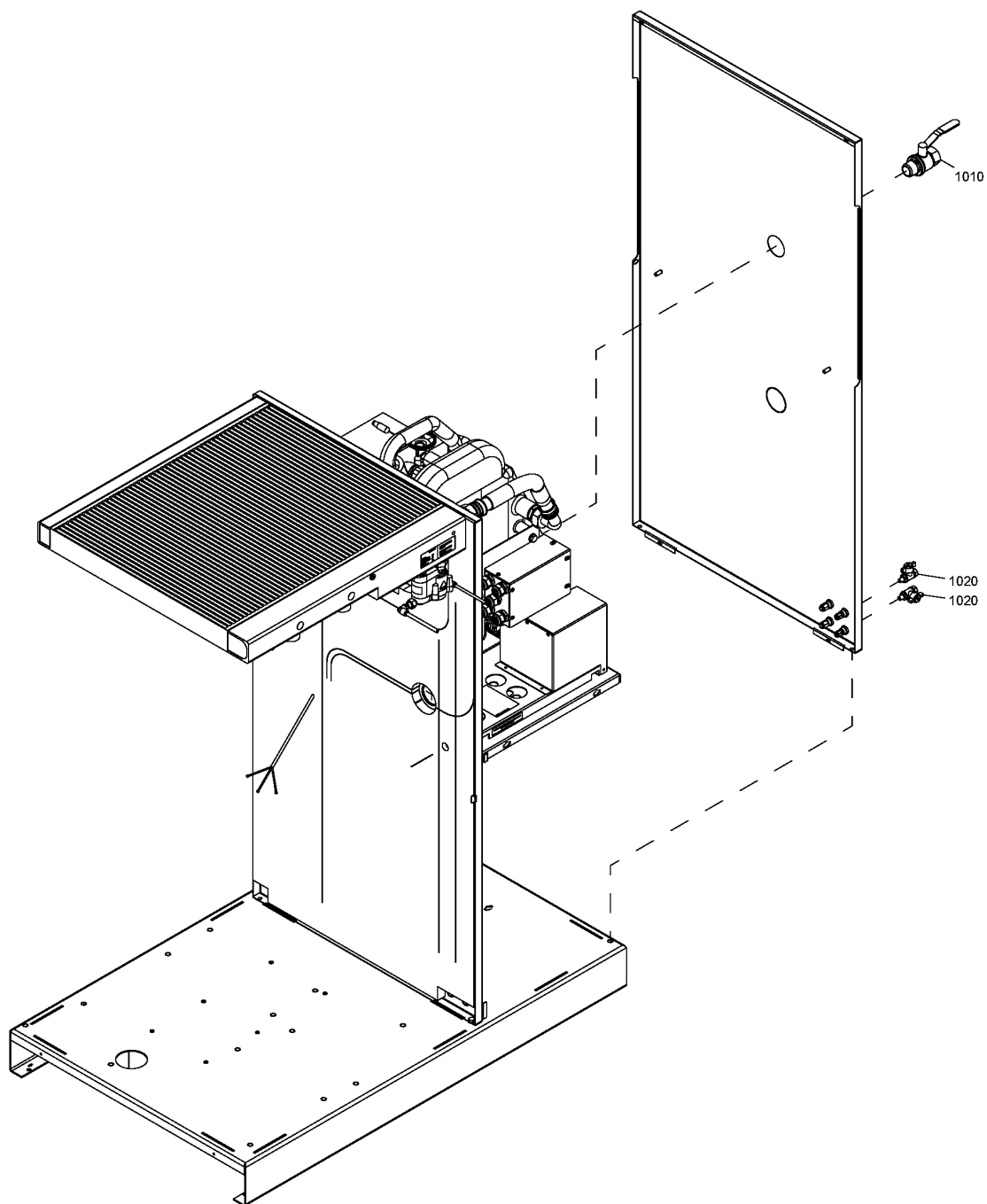
MODEL:GA26VP\_13 - Model:GA 26VSD+

MOVOL:200V - Supply voltage:200 V

MODEL:GA18VP\_13 - Model:GA 18VSD+

MODEL:GA30VP\_13 - Model:GA 30VSD+

MOVOL:380V - Supply voltage:380 V



Ref	Part Number	Qty	Name	Validity
1010	0852 0011 02	1	BALL VALVE	(06/09/2013 - ...)
1020	0852 0010 55	1	BALL VALVE	(06/09/2013 - ...) IDRY:N
1020	0852 0010 55	2	BALL VALVE	(06/09/2013 - ...) IDRY:Y

**Legend:**

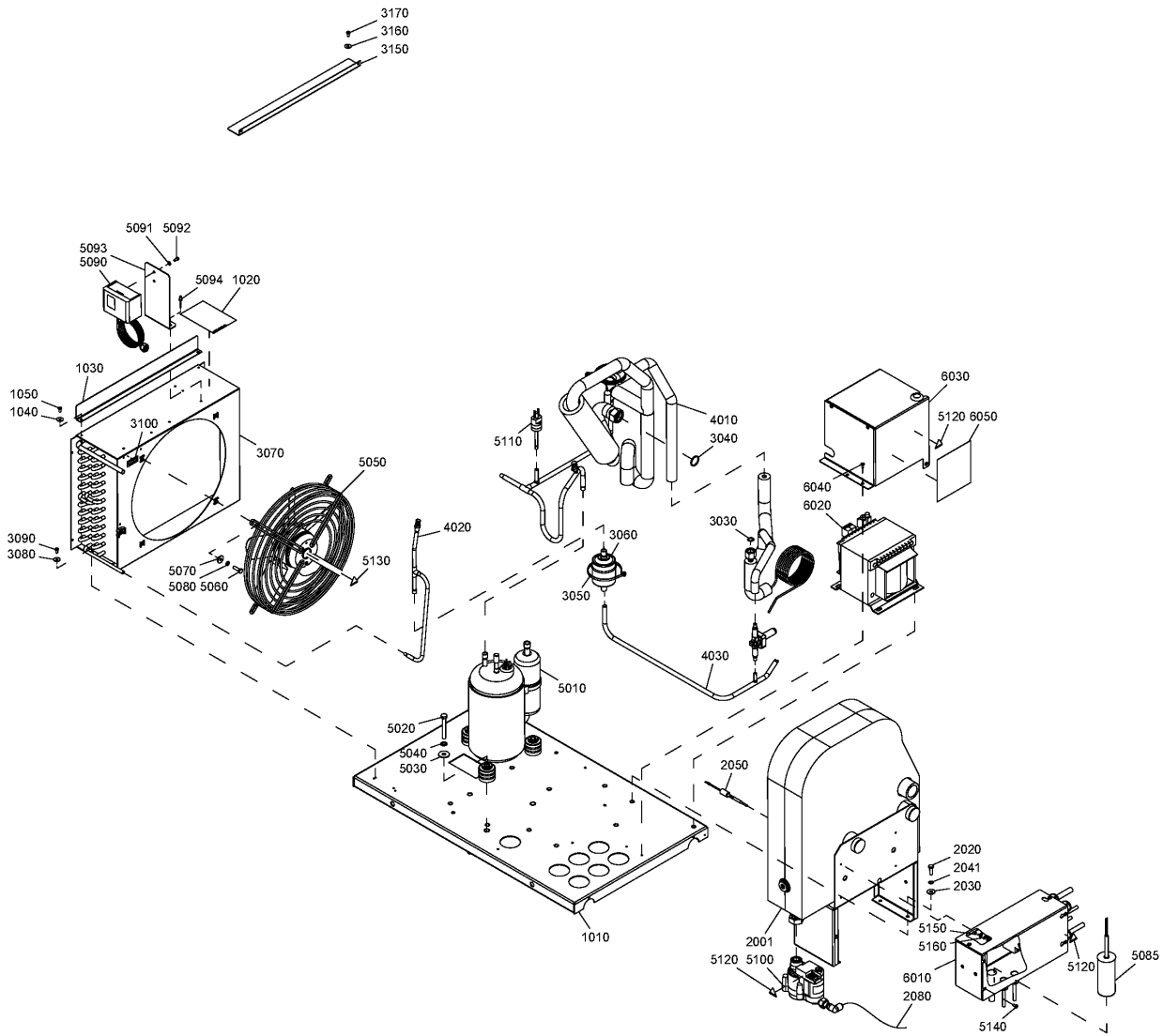
IDRY:N - Integrated dryer:No

IDRY:Y - Integrated dryer:Yes



# 14 - Air dryer ID 73

((MOVOL:200V , MOVOL:230V , MOVOL:380V , MOVOL:460V , MOVOL:575V) + FREQ:60HZ , (MOVOL:200V , MOVOL:230V , MOVOL:400V , MOVOL:400VN , MOVOL:500V) + FREQ:50HZ) + (MODEL:GA18VP\_13 , MODEL:GA22VP\_13)



# 14 - Air dryer ID 73

(MOVOL:200V , MOVOL:230V , MOVOL:380V , MOVOL:460V , MOVOL:575V) + FREQ:60HZ , (MOVOL:200V , MOVOL:230V , MOVOL:400V , MOVOL:400VN , MOVOL:500V) + FREQ:50HZ) + (MODEL:GA18VP\_13 , MODEL:GA22VP\_13)

Ref	Part Number	Qty	Name	Validity
1010	1627 1523 80	1	FRAME	(20/02/2013 - ...)
	• 1079 9930 30	1	LABEL	
	• 0348 0102 11	1	CABLE TIE	
	• 0348 0111 06	1	CONNECTOR	
1020	1079 9903 48	1	WARNING LABEL	(20/02/2013 - ...)
1030	1627 1679 00	1	BRACKET	(26/06/2013 - 05/02/2014)
1040	0300 0274 70	2	WASHER	(26/06/2013 - 05/02/2014)
1050	0226 3256 00	2	SCREW	(26/06/2013 - 05/02/2014)
2001	1627 1454 80	1	HEAT EXCHANGER ASSY	(20/02/2013 - ...)
2020	0147 1247 03	4	HEXAGON BOLT	(18/04/2013 - ...)
2030	0300 0274 64	4	WASHER	(20/02/2013 - ...)
2041	0333 3220 00	4	WASHER	(20/02/2013 - ...)
2050	1624 9803 00	1	TEMPERATURE SENSOR	(20/02/2013 - 27/10/2013)
2050	2202 8870 01	1	TEMPERATURE SENSOR	(28/10/2013 - 20/11/2014)
2050	2202 8870 02	1	TEMPERATURE SENSOR	(21/11/2014 - ...)
	1617 0128 00	AR	HEAT CONDUCTING PASTA	(20/02/2013 - ...)
2080	0070 7250 04	AR	TUBE	(06/08/2013 - ...)
3030	1617 0092 03	1	RING	(18/04/2013 - ...)
3040	2200 6336 10	1	RING	(11/06/2013 - ...)
3050	0348 0101 13	10	CABLE TIE	(18/04/2013 - ...)
3060	1624 2293 00	1	FILTER DRYER	(18/04/2013 - ...)
3070	2202 7352 01	1	CONDENSER AIR COOLED	(18/04/2013 - ...)
3080	0300 0274 70	4	WASHER	(18/04/2013 - ...)
3090	0226 3256 00	4	SCREW	(18/04/2013 - ...)
3100	1617 2385 00	1	ROTATION ARROW	(18/04/2013 - ...)
3150	1627 1679 00	1	BRACKET	(18/02/2014 - ...)
3160	0300 0274 70	1	WASHER	(18/02/2014 - ...)
3170	0226 3256 00	1	SCREW	(18/02/2014 - ...)
		1	PIPE SET	(11/06/2013 - ...) FREQ:50HZ
				(11/06/2013 - ...) FREQ:60HZ
4010	• 1627 1558 00	1	PIPE ASSY	(18/04/2013 - ...) FREQ:50HZ
	• 1627 1681 00			(11/06/2013 - ...) FREQ:60HZ
	•• 1624 2486 03	1	HGB VALVE	(18/04/2013 - 10/06/2013) (11/06/2013 - 27/10/2013) (MOVOL:200V , MOVOL:230V , MOVOL:400V , MOVOL:400VN , MOVOL:500V) + FREQ:50HZ (28/10/2013 - ...)
	•• 1624 2486 02	1	HGB VALVE	(11/06/2013 - 27/10/2013) (MOVOL:200V , MOVOL:230V , MOVOL:380V , MOVOL:460V , MOVOL:575V) + FREQ:60HZ
	•• 1624 9352 00	2	VALVE SCHRAEDER	(18/04/2013 - 10/06/2013) (11/06/2013 - ...) (MOVOL:200V , MOVOL:230V , MOVOL:400V , MOVOL:400VN , MOVOL:500V) + FREQ:50HZ
	•• 1624 9352 00	1	VALVE SCHRAEDER	(11/06/2013 - ...) (MOVOL:200V , MOVOL:230V , MOVOL:380V , MOVOL:460V , MOVOL:575V) + FREQ:60HZ
4020	• 1627 1521 00	1	PIPE	(20/02/2013 - ...)
	•• 1619 5563 02	1	SCHRÄDERVALVE	(18/04/2013 - ...)
4030	• 1627 1539 01	1	CAPILLARY ASSY	(20/02/2013 - ...)
5010	1624 2616 11	1	COMPRESSOR	(20/02/2013 - ...) FREQ:60HZ
5010	1624 2616 13	1	COMPRESSOR	(18/04/2013 - ...) FREQ:50HZ
5020	0147 1106 72	3	SCREW	(15/10/2013 - ...)
5020	0147 1331 03	3	HEXAGON BOLT	(20/02/2013 - 14/10/2013)
5030	0300 8019 00	3	PLAIN WASHER	(20/02/2013 - ...)
5040	0333 3127 00	3	WASHER	(11/06/2013 - ...)

### Legend:

FREQ:50HZ - Frequency:50 Hz  
 MODEL:GA22VP\_13 - Model:GA 22VSD+  
 MOVOL:380V - Supply voltage:380 V  
 MOVOL:460V - Supply voltage:460 V

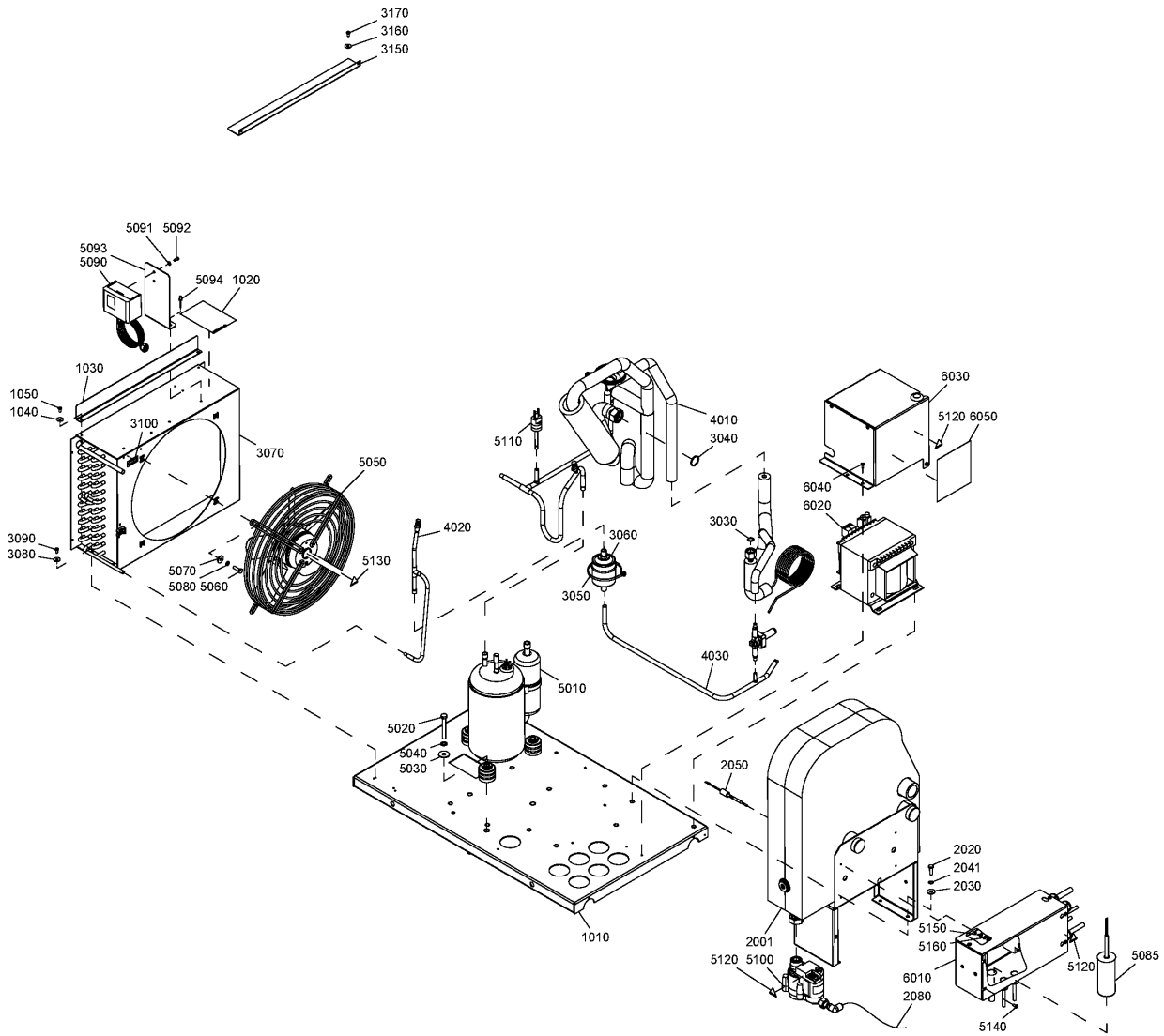
FREQ:60HZ - Frequency:60 Hz  
 MOVOL:200V - Supply voltage:200 V  
 MOVOL:400V - Supply voltage:400 V  
 MOVOL:500V - Supply voltage:500 V

MODEL:GA18VP\_13 - Model:GA 18VSD+  
 MOVOL:230V - Supply voltage:230 V  
 MOVOL:400VN - Supply voltage:400 V+N  
 MOVOL:575V - Supply voltage:575 V



# 14 - Air dryer ID 73

((MOVOL:200V , MOVOL:230V , MOVOL:380V , MOVOL:460V , MOVOL:575V) + FREQ:60HZ , (MOVOL:200V , MOVOL:230V , MOVOL:400V , MOVOL:400VN , MOVOL:500V) + FREQ:50HZ) + (MODEL:GA18VP\_13 , MODEL:GA22VP\_13)



# 14 - Air dryer ID 73

((MOVOL:200V , MOVOL:230V , MOVOL:380V , MOVOL:460V , MOVOL:575V) + FREQ:60HZ , (MOVOL:200V , MOVOL:230V , MOVOL:400V , MOVOL:400VN , MOVOL:500V) + FREQ:50HZ) + (MODEL:GA18VP\_13 , MODEL:GA22VP\_13)

Ref	Part Number	Qty	Name	Validity
5050	1627 1692 81	1	FAN AXIAL	(26/06/2013 - ...) FREQ:50HZ
5050	1627 1692 82	1	FAN AXIAL	(26/06/2013 - ...) FREQ:60HZ
5060	0147 1247 03	4	HEXAGON BOLT	(18/04/2013 - ...)
5070	0300 0274 64	4	WASHER	(20/02/2013 - ...)
5080	0333 3220 00	4	WASHER	(20/02/2013 - ...)
5085	1624 9350 02	1	CAPACITOR	(19/08/2013 - ...) FREQ:60HZ
5090	1089 9139 25	1	SWITCH PRESS	(11/07/2014 - ...)
5090	1624 9622 00	1	SWITCH PRESS	(20/02/2013 - 10/07/2014)
5091	0301 2315 00	2	WASHER	(11/07/2014 - ...)
5092	0160 6039 00	2	SCREW	(11/07/2014 - ...)
5093	1627 1714 00	1	SUPPORT	(11/07/2014 - ...)
5094	0129 3270 40	2	BLIND RIVET	(11/07/2014 - ...)
5100	1624 9049 80	1	DRAIN	(18/04/2013 - ...)
5110	1089 9139 16	1	PRESSURE SWITCH	(18/04/2013 - ...)
5120	1088 1001 01	3	WARNING MARK	(20/02/2013 - ...)
5130	1088 1001 01	3	WARNING MARK	(20/02/2013 - ...)
5140	0226 3256 00	4	SCREW	(19/01/2015 - ...)
5140	0266 2106 00	4	HEXAGON NUT	(18/04/2013 - 18/01/2015)
5150	0301 2318 00	4	WASHER	(18/04/2013 - ...)
5160	0333 3214 00	4	WASHER	(18/04/2013 - ...)
6010	1900 5101 92	1	CUBICLE	(20/02/2013 - 10/07/2014) (MOVOL:200V , MOVOL:230V , MOVOL:400V , MOVOL:500V) + FREQ:50HZ
6010	1900 5101 95	1	CUBICLE	(11/07/2014 - ...) (MOVOL:200V , MOVOL:230V , MOVOL:400V , MOVOL:500V) + FREQ:50HZ
6010	1900 5101 91	1	CUBICLE	(20/02/2013 - 10/07/2014) FREQ:50HZ + MOVOL:400VN
6010	1900 5101 93	1	CUBICLE	(06/08/2013 - 09/10/2013) (MOVOL:200V , MOVOL:230V , MOVOL:380V , MOVOL:460V , MOVOL:575V) + FREQ:60HZ (10/10/2013 - 11/12/2013) (MOVOL:230V , MOVOL:460V , MOVOL:575V) + FREQ:60HZ (12/12/2013 - 10/07/2014) (MOVOL:200V , MOVOL:230V , MOVOL:380V , MOVOL:460V , MOVOL:575V) + FREQ:60HZ
6010	1900 5101 94	1	CUBICLE	(11/07/2014 - ...) FREQ:50HZ + MOVOL:400VN
6010	1900 5101 96	1	CUBICLE	(11/07/2014 - ...) (MOVOL:200V , MOVOL:230V , MOVOL:380V , MOVOL:460V , MOVOL:575V) + FREQ:60HZ
6020	1089 9436 90	1	TRANSFORMER	(11/06/2013 - 01/09/2014) ((MOVOL:200V , MOVOL:230V , MOVOL:380V , MOVOL:460V , MOVOL:575V) + FREQ:60HZ , (MOVOL:200V , MOVOL:230V , MOVOL:400V , MOVOL:500V) + FREQ:50HZ)
6020	<del>1089 9436 98</del>	1	TRANSFORMER	(02/09/2014 - 01/07/2015) ((MOVOL:200V , MOVOL:230V , MOVOL:380V , MOVOL:460V , MOVOL:575V) + FREQ:60HZ , (MOVOL:200V , MOVOL:230V , MOVOL:400V , MOVOL:500V) + FREQ:50HZ)
	↻ Substituted by:	1627 1869 00 - TRANSFORMER VOLTAGE (quantity: 1)		
6020	1627 1869 00	1	TRANSFORMER	(02/07/2015 - ...) ((MOVOL:200V , MOVOL:230V , MOVOL:380V , MOVOL:460V , MOVOL:575V) + FREQ:60HZ , (MOVOL:200V , MOVOL:230V , MOVOL:400V , MOVOL:500V) + FREQ:50HZ)
6030	1627 1538 00	1	PLATE COVER	(20/02/2013 - 05/08/2013) (MOVOL:200V , MOVOL:230V , MOVOL:400V , MOVOL:500V) + FREQ:50HZ (06/08/2013 - 09/10/2013) ((MOVOL:200V , MOVOL:230V , MOVOL:380V , MOVOL:460V , MOVOL:575V) + FREQ:60HZ , (MOVOL:200V , MOVOL:230V , MOVOL:400V , MOVOL:500V) + FREQ:50HZ) (10/10/2013 - 11/12/2013) ((MOVOL:200V , MOVOL:230V , MOVOL:400V , MOVOL:500V) + FREQ:50HZ , (MOVOL:230V , MOVOL:460V , MOVOL:575V) + FREQ:60HZ) (12/12/2013 - ...) ((MOVOL:200V , MOVOL:230V , MOVOL:380V , MOVOL:460V , MOVOL:575V) + FREQ:60HZ , (MOVOL:200V , MOVOL:230V , MOVOL:400V , MOVOL:500V) + FREQ:50HZ)

### Legend:

FREQ:50HZ - Frequency:50 Hz  
 MODEL:GA22VP\_13 - Model:GA 22VSD+  
 MOVOL:380V - Supply voltage:380 V  
 MOVOL:460V - Supply voltage:460 V

FREQ:60HZ - Frequency:60 Hz  
 MOVOL:200V - Supply voltage:200 V  
 MOVOL:400V - Supply voltage:400 V  
 MOVOL:500V - Supply voltage:500 V

MODEL:GA18VP\_13 - Model:GA 18VSD+  
 MOVOL:230V - Supply voltage:230 V  
 MOVOL:400VN - Supply voltage:400 V+N  
 MOVOL:575V - Supply voltage:575 V





## 14 - Air dryer ID 73

((MOVOL:200V , MOVOL:230V , MOVOL:380V , MOVOL:460V , MOVOL:575V) + FREQ:60HZ , (MOVOL:200V , MOVOL:230V , MOVOL:400V , MOVOL:400VN , MOVOL:500V) + FREQ:50HZ) + (MODEL:GA18VP\_13 , MODEL:GA22VP\_13)

Ref	Part Number	Qty	Name	Validity
6040	0226 3256 00	3	SCREW	(11/06/2013 - 05/08/2013) (MOVOL:200V , MOVOL:230V , MOVOL:400V , MOVOL:500V) + FREQ:50HZ (06/08/2013 - ...) ((MOVOL:200V , MOVOL:230V , MOVOL:380V , MOVOL:460V , MOVOL:575V) + FREQ:60HZ , (MOVOL:200V , MOVOL:230V , MOVOL:400V , MOVOL:500V) + FREQ:50HZ)
6050	1627 1745 00	1	DECAL	(18/02/2014 - ...) (MOVOL:200V , MOVOL:230V , MOVOL:400V , MOVOL:500V) + FREQ:50HZ

### Legend:

FREQ:50HZ - Frequency:50 Hz  
MODEL:GA22VP\_13 - Model:GA 22VSD+  
MOVOL:380V - Supply voltage:380 V  
MOVOL:460V - Supply voltage:460 V

FREQ:60HZ - Frequency:60 Hz  
MOVOL:200V - Supply voltage:200 V  
MOVOL:400V - Supply voltage:400 V  
MOVOL:500V - Supply voltage:500 V

MODEL:GA18VP\_13 - Model:GA 18VSD+  
MOVOL:230V - Supply voltage:230 V  
MOVOL:400VN - Supply voltage:400 V+N  
MOVOL:575V - Supply voltage:575 V



## 15 - Air dryer ID 96

(MOVOL:200V , MOVOL:230V , MOVOL:380V , MOVOL:460V , MOVOL:575V) + FREQ:60HZ , (MOVOL:200V , MOVOL:230V , MOVOL:400V , MOVOL:400VN , MOVOL:500V) + FREQ:50HZ) + (MODEL:GA26VP\_13 , MODEL:GA30VP\_13) , (MOVOL:200V , MOVOL:230V , MOVOL:400V , MOVOL:500V) + FREQ:50HZ + MODEL:GA37VP\_13

Ref	Part Number	Qty	Name	Validity	R.
1010	1627 1523 80	1	FRAME	(03/06/2013 - ...)	
	• 1079 9930 30	1	LABEL		
	• 0348 0102 11	1	CABLE TIE		
	• 0348 0111 06	1	CONNECTOR		
1020	1079 9903 48	1	WARNING LABEL	(03/06/2013 - ...)	
1030	1627 1679 00	1	BRACKET	(26/06/2013 - 05/02/2014)	
1040	0300 0274 70	2	WASHER	(26/06/2013 - 05/02/2014)	
1050	0226 3256 00	2	SCREW	(26/06/2013 - 05/02/2014)	
2010	1627 1455 80	1	HEAT EXCHANGER ASSY	(03/06/2013 - ...)	
2020	0147 1247 03	4	HEXAGON BOLT	(03/06/2013 - ...)	
2030	0300 0274 64	4	WASHER	(03/06/2013 - ...)	
2050	0301 2321 00	4	WASHER	(11/06/2013 - ...)	
2060	1624 9803 00	1	TEMPERATURE SENSOR	(03/06/2013 - 27/10/2013)	
2060	2202 8870 01	1	TEMPERATURE SENSOR	(28/10/2013 - 20/11/2014)	
2060	2202 8870 02	1	TEMPERATURE SENSOR	(21/11/2014 - ...)	
2080	0070 7250 04	AR	TUBE	(06/08/2013 - ...)	
3030	1617 0092 03	1	RING	(03/06/2013 - ...)	
3050	0348 0101 13	10	CABLE TIE	(03/06/2013 - ...)	
3060	1624 2293 00	1	FILTER DRYER	(03/06/2013 - ...)	
3070	1627 1459 00	1	CONDENSER	(03/06/2013 - ...)	
3080	0300 0274 70	4	WASHER	(03/06/2013 - ...)	
3090	0226 3256 00	4	SCREW	(03/06/2013 - ...)	
3100	1617 2385 00	1	ROTATION ARROW	(03/06/2013 - ...)	
4010	1627 1559 00	1	PIPE ASSY	(18/04/2013 - ...) FREQ:50HZ	
	• 1624 2486 02	1	HGB VALVE	(18/04/2013 - ...)	
	• 1624 9352 00	2	SCHRADER VALVE	(18/04/2013 - ...)	
4010	1627 1680 00	1	PIPE ASSY	(11/06/2013 - ...) FREQ:60HZ	
	• 1624 2486 03	1	HGB VALVE	(11/06/2013 - 27/10/2013)	
	• 1624 2486 02	1	HGB VALVE	(28/10/2013 - ...)	
	• 1624 9352 00	1	SCHRADER VALVE	(11/06/2013 - ...)	
4020	1627 1521 00	1	PIPE	(18/04/2013 - ...)	
	• 1619 5563 02	1	SCHRADER VALVE		
4030	1627 1522 01	1	CAPILLARY ASSY	(18/04/2013 - ...)	
5010	1624 2616 10	1	COMPRESSOR	(20/02/2013 - ...) FREQ:50HZ	
	• Remarks:		Refrigerant R410a		
5010	1624 2616 11	1	COMPRESSOR	(20/02/2013 - ...) FREQ:60HZ	
	• Remarks:		Refrigerant R410a		
5020	0147 1106 72	3	SCREW	(15/10/2013 - ...)	
5020	0147 1331 03	3	HEXAGON BOLT	(20/02/2013 - 14/10/2013)	
5030	0300 8019 00	3	WASHER	(20/02/2013 - ...)	
5040	0333 3127 00	3	WASHER	(11/06/2013 - ...)	
5040	0333 3227 00	3	WASHER	(20/02/2013 - 10/06/2013)	
5050	1627 1692 81	1	AXIAL FAN	(26/06/2013 - ...) FREQ:50HZ	
5050	1627 1692 82	1	AXIAL FAN	(26/06/2013 - ...) FREQ:60HZ	
5060	0147 1247 03	4	HEXAGON BOLT	(18/04/2013 - ...)	
5070	0300 0274 64	4	WASHER	(20/02/2013 - ...)	
5080	0333 3220 00	4	WASHER	(20/02/2013 - ...)	

### Legend:

FREQ:50HZ - Frequency:50 Hz  
 MODEL:GA30VP\_13 - Model:GA 30VSD+  
 MOVOL:230V - Supply voltage:230 V  
 MOVOL:400VN - Supply voltage:400 V+N  
 MOVOL:575V - Supply voltage:575 V

FREQ:60HZ - Frequency:60 Hz  
 MODEL:GA37VP\_13 - Model:GA 37VSD+  
 MOVOL:380V - Supply voltage:380 V  
 MOVOL:460V - Supply voltage:460 V

MODEL:GA26VP\_13 - Model:GA 26VSD+  
 MOVOL:200V - Supply voltage:200 V  
 MOVOL:400V - Supply voltage:400 V  
 MOVOL:500V - Supply voltage:500 V





# 15 - Air dryer ID 96

((MOVOL:200V , MOVOL:230V , MOVOL:380V , MOVOL:460V , MOVOL:575V) + FREQ:60HZ , (MOVOL:200V , MOVOL:230V , MOVOL:400V , MOVOL:400VN , MOVOL:500V) + FREQ:50HZ) + (MODEL:GA26VP\_13 , MODEL:GA30VP\_13) , (MOVOL:200V , MOVOL:230V , MOVOL:400V , MOVOL:500V) + FREQ:50HZ + MODEL:GA37VP\_13

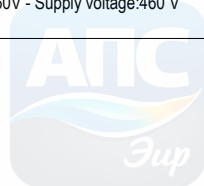
Ref	Part Number	Qty	Name	Validity	R.
5085	1624 9350 02	1	CAPACITOR	(19/08/2013 - ...)	FREQ:60HZ
5090	1089 9139 25	1	PRESSURE SWITCH	(11/07/2014 - ...)	
5091	0301 2315 00	2	WASHER	(11/07/2014 - ...)	
5092	0160 6039 00	2	SCREW	(11/07/2014 - ...)	
5093	1627 1714 00	1	SUPPORT	(11/07/2014 - ...)	
5094	0129 3270 40	2	RIVET	(11/07/2014 - ...)	
5100	1624 9049 80	1	DRAIN	(20/02/2013 - ...)	
5110	1089 9139 16	1	PRESSURE SWITCH	(18/04/2013 - ...)	
5120	1088 1001 01	1	WARNING MARK	(20/02/2013 - ...)	
5130	0348 0101 13	3	CABLE TIE	(20/02/2013 - ...)	
5140	0226 3256 00	4	SCREW	(19/01/2015 - ...)	((MOVOL:200V , MOVOL:230V , MOVOL:400V , MOVOL:400VN , MOVOL:500V) + FREQ:50HZ , (MOVOL:230V , MOVOL:460V , MOVOL:575V) + FREQ:60HZ) + (MODEL:GA26VP_13 , MODEL:GA30VP_13) , (MOVOL:200V , MOVOL:230V , MOVOL:400V , MOVOL:500V) + FREQ:50HZ + MODEL:GA37VP_13
5140	0266 2106 00	4	HEXAGON NUT	(18/04/2013 - ...)	
5150	0301 2318 00	4	WASHER	(18/04/2013 - ...)	
5160	0333 3214 00	4	WASHER	(18/04/2013 - ...)	
6010	1900 5101 94	1	DRYER CUBICLE 400V+N 50HZ	(11/07/2014 - ...)	(MODEL:GA26VP_13 , MODEL:GA30VP_13) + FREQ:50HZ + MOVOL:400VN
6010	1900 5101 95	1	DRYER CUBICLE TRAF0 50HZ	(11/07/2014 - ...)	(MODEL:GA26VP_13 , MODEL:GA30VP_13 , MODEL:GA37VP_13) + (MOVOL:200V , MOVOL:230V , MOVOL:400V , MOVOL:500V) + FREQ:50HZ
6010	1900 5101 96	1	DRYER CUBICLE TRAF0 60HZ	(11/07/2014 - ...)	(MODEL:GA26VP_13 , MODEL:GA30VP_13) + (MOVOL:200V , MOVOL:230V , MOVOL:380V , MOVOL:460V , MOVOL:575V) + FREQ:60HZ
6020	1089 9436 90	1	TRANSFORMER VOLTAGE	(11/06/2013 - 01/09/2014)	(MODEL:GA26VP_13 , MODEL:GA30VP_13) + (MOVOL:200V , MOVOL:230V , MOVOL:380V , MOVOL:460V , MOVOL:575V) + FREQ:60HZ , (MODEL:GA26VP_13 , MODEL:GA30VP_13 , MODEL:GA37VP_13) + (MOVOL:200V , MOVOL:230V , MOVOL:400V , MOVOL:500V) + FREQ:50HZ
6020	<del>1089 9436 98</del>	1	TRANSFORMER VOLTAGE	(02/09/2014 - 01/07/2015)	(MODEL:GA26VP_13 , MODEL:GA30VP_13) + (MOVOL:200V , MOVOL:230V , MOVOL:380V , MOVOL:460V , MOVOL:575V) + FREQ:60HZ , (MODEL:GA26VP_13 , MODEL:GA30VP_13 , MODEL:GA37VP_13) + (MOVOL:200V , MOVOL:230V , MOVOL:400V , MOVOL:500V) + FREQ:50HZ
	<b>Substituted by:</b>		1627 1869 00 - TRANSFORMER VOLTAGE (quantity: 1)		
6020	1627 1869 00	1	TRANSFORMER VOLTAGE	(02/07/2015 - ...)	(MODEL:GA26VP_13 , MODEL:GA30VP_13) + (MOVOL:230V , MOVOL:460V , MOVOL:575V) + FREQ:60HZ , (MODEL:GA26VP_13 , MODEL:GA30VP_13 , MODEL:GA37VP_13) + (MOVOL:200V , MOVOL:230V , MOVOL:400V , MOVOL:500V) + FREQ:50HZ
6030	1627 1538 00	1	PLATE COVER	(03/06/2013 - ...)	(MODEL:GA26VP_13 , MODEL:GA30VP_13) + (MOVOL:200V , MOVOL:230V , MOVOL:380V , MOVOL:460V , MOVOL:575V) + FREQ:60HZ , (MODEL:GA26VP_13 , MODEL:GA30VP_13 , MODEL:GA37VP_13) + (MOVOL:200V , MOVOL:230V , MOVOL:400V , MOVOL:500V) + FREQ:50HZ
6040	0226 3256 00	3	SCREW	(06/08/2013 - ...)	(MODEL:GA26VP_13 , MODEL:GA30VP_13) + (MOVOL:200V , MOVOL:230V , MOVOL:380V , MOVOL:460V , MOVOL:575V) + FREQ:60HZ , (MODEL:GA26VP_13 , MODEL:GA30VP_13 , MODEL:GA37VP_13) + (MOVOL:200V , MOVOL:230V , MOVOL:400V , MOVOL:500V) + FREQ:50HZ
6050	1627 1683 00	1	DECAL WARNING TRANSFO 60HZ	(18/02/2014 - ...)	(MODEL:GA26VP_13 , MODEL:GA30VP_13) + (MOVOL:200V , MOVOL:230V , MOVOL:380V , MOVOL:460V , MOVOL:575V) + FREQ:60HZ

### Legend:

FREQ:50HZ - Frequency:50 Hz  
 MODEL:GA30VP\_13 - Model:GA 30VSD+  
 MOVOL:230V - Supply voltage:230 V  
 MOVOL:400VN - Supply voltage:400 V+N  
 MOVOL:575V - Supply voltage:575 V

FREQ:60HZ - Frequency:60 Hz  
 MODEL:GA37VP\_13 - Model:GA 37VSD+  
 MOVOL:380V - Supply voltage:380 V  
 MOVOL:460V - Supply voltage:460 V

MODEL:GA26VP\_13 - Model:GA 26VSD+  
 MOVOL:200V - Supply voltage:200 V  
 MOVOL:400V - Supply voltage:400 V  
 MOVOL:500V - Supply voltage:500 V





## 15 - Air dryer ID 96

((MOVOL:200V , MOVOL:230V , MOVOL:380V , MOVOL:460V , MOVOL:575V) + FREQ:60HZ , (MOVOL:200V , MOVOL:230V , MOVOL:400V , MOVOL:400VN , MOVOL:500V) + FREQ:50HZ) + (MODEL:GA26VP\_13 , MODEL:GA30VP\_13) , (MOVOL:200V , MOVOL:230V , MOVOL:400V , MOVOL:500V) + FREQ:50HZ + MODEL:GA37VP\_13

Ref	Part Number	Qty	Name	Validity	R.
6050	1627 1745 00	1	DECAL WARNING TRANSFO 50HZ	(18/02/2014 - ...) (MODEL:GA26VP_13 , MODEL:GA30VP_13 , MODEL:GA37VP_13) + (MOVOL:200V , MOVOL:230V , MOVOL:400V , MOVOL:500V) + FREQ:50HZ	

### Legend:

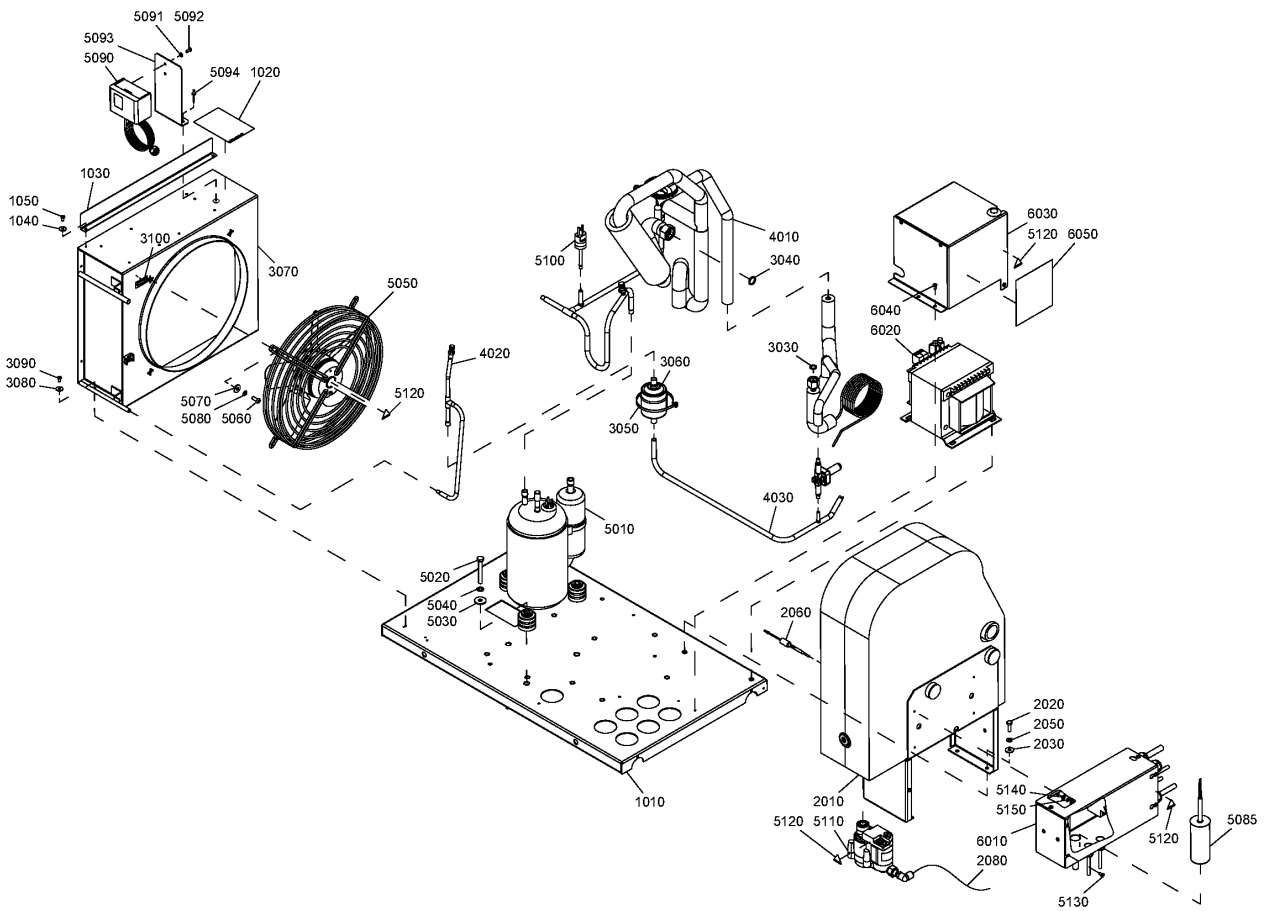
FREQ:50HZ - Frequency:50 Hz  
MODEL:GA30VP\_13 - Model:GA 30VSD+  
MOVOL:230V - Supply voltage:230 V  
MOVOL:400VN - Supply voltage:400 V+N  
MOVOL:575V - Supply voltage:575 V

FREQ:60HZ - Frequency:60 Hz  
MODEL:GA37VP\_13 - Model:GA 37VSD+  
MOVOL:380V - Supply voltage:380 V  
MOVOL:460V - Supply voltage:460 V

MODEL:GA26VP\_13 - Model:GA 26VSD+  
MOVOL:200V - Supply voltage:200 V  
MOVOL:400V - Supply voltage:400 V  
MOVOL:500V - Supply voltage:500 V

# 16 - Air dryer ID 96LPS

(MOVOL:200V , MOVOL:230V , MOVOL:380V , MOVOL:460V , MOVOL:575V) + FREQ:60HZ + MODEL:GA37VP\_13



**16 - Air dryer ID 96LPS**

(MOVOL:200V , MOVOL:230V , MOVOL:380V , MOVOL:460V , MOVOL:575V) + FREQ:60HZ + MODEL:GA37VP\_13

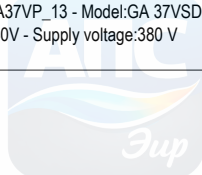
Ref	Part Number	Qty	Name	Validity
1010	1627 1523 80	1	FRAME	(28/10/2013 - ...)
	• 1079 9930 30	1	LABEL	
	• 0348 0102 11	1	CABLE TIE	
	• 0348 0111 06	1	CONNECTOR	
1020	1079 9903 48	1	WARNING LABEL	(28/10/2013 - ...)
1030	1627 1679 00	1	BRACKET	(28/10/2013 - 05/02/2014)
1040	0300 0274 70	2	WASHER	(28/10/2013 - 05/02/2014)
1050	0226 3256 00	2	SCREW	(28/10/2013 - 05/02/2014)
2010	1627 1455 80	1	HEAT EXCHANGER ASSY	(28/10/2013 - ...)
2020	0147 1247 03	4	HEXAGON BOLT	(28/10/2013 - ...)
2030	0300 0274 64	4	WASHER	(28/10/2013 - ...)
2050	0301 2321 00	4	WASHER	(28/10/2013 - ...)
2060	2202 8870 01	1	TEMPERATURE SENSOR	(28/10/2013 - 20/11/2014)
2060	2202 8870 02	1	TEMPERATURE SENSOR	(21/11/2014 - ...)
2080	0070 7250 04	AR	TUBE	(28/10/2013 - ...)
3030	1617 0092 03	1	RING	(26/06/2013 - ...)
3040	2200 6336 10	1	RING	(26/06/2013 - ...)
3050	0348 0101 13	10	CABLE TIE	(26/06/2013 - ...)
3060	1624 2293 00	1	FILTER DRYER	(26/06/2013 - ...)
3070	1627 1459 00	1	CONDENSER	(26/06/2013 - ...)
3080	0300 0274 70	4	WASHER	(26/06/2013 - ...)
3090	0226 3256 00	4	SCREW	(26/06/2013 - ...)
3100	1617 2385 00	1	ROTATION ARROW	(26/06/2013 - ...)
4010	1627 1559 00	1	PIPE ASSY	(26/06/2013 - ...)
	• 1624 2486 02	1	HGB VALVE	
	• 1624 9352 00	2	SCHRADER VALVE	
4020	1627 1521 00	1	PIPE	(26/06/2013 - ...)
	• 1619 5563 02	1	SCHRADER VALVE	
4030	1627 1522 01	1	CAPILLARY ASSY	(26/06/2013 - ...)
5010	1624 2616 14	1	COMPRESSOR	(11/06/2013 - ...)
5020	0147 1106 72	3	SCREW	(15/10/2013 - ...)
5020	0147 1331 03	3	HEXAGON BOLT	(11/06/2013 - 14/10/2013)
5030	0300 8019 00	3	WASHER	(11/06/2013 - ...)
5040	0333 3127 00	3	WASHER	(11/06/2013 - ...)
5050	1627 1692 82	1	AXIAL FAN	(26/06/2013 - ...)
5060	0215 0003 91	4	SCREW	(11/06/2013 - ...)
5070	0300 0274 64	4	WASHER	(11/06/2013 - ...)
5080	0333 3220 00	4	WASHER	(11/06/2013 - ...)
5085	1624 9350 02	1	CAPACITOR	(19/08/2013 - ...)
5090	1089 9139 25	1	PRESSURE SWITCH	(11/07/2014 - ...)
5090	1624 9622 00	1	PRESSURE SWITCH	(11/06/2013 - 10/07/2014)
5091	0301 2315 00	2	WASHER	(11/07/2014 - ...)
5092	0160 6039 00	2	SCREW	(11/07/2014 - ...)
5093	1627 1714 00	1	SUPPORT	(11/07/2014 - ...)
5094	0129 3270 40	2	RIVET	(11/07/2014 - ...)
5100	1089 9139 16	1	PRESSURE SWITCH	(11/06/2013 - ...)
5110	1624 9049 80	1	DRAIN	(11/06/2013 - ...)
5120	1088 1001 01	4	WARNING MARK	(11/06/2013 - ...)
5130	0226 3256 00	2	SCREW	(19/01/2015 - ...)
5130	0266 2106 00	2	HEXAGON NUT	(11/06/2013 - 18/01/2015)

**Legend:**

FREQ:60HZ - Frequency:60 Hz  
 MOVOL:230V - Supply voltage:230 V  
 MOVOL:575V - Supply voltage:575 V

MODEL:GA37VP\_13 - Model:GA 37VSD+  
 MOVOL:380V - Supply voltage:380 V

MOVOL:200V - Supply voltage:200 V  
 MOVOL:460V - Supply voltage:460 V





**16 - Air dryer ID 96LPS**

(MOVOL:200V , MOVOL:230V , MOVOL:380V , MOVOL:460V , MOVOL:575V) + FREQ:60HZ + MODEL:GA37VP\_13

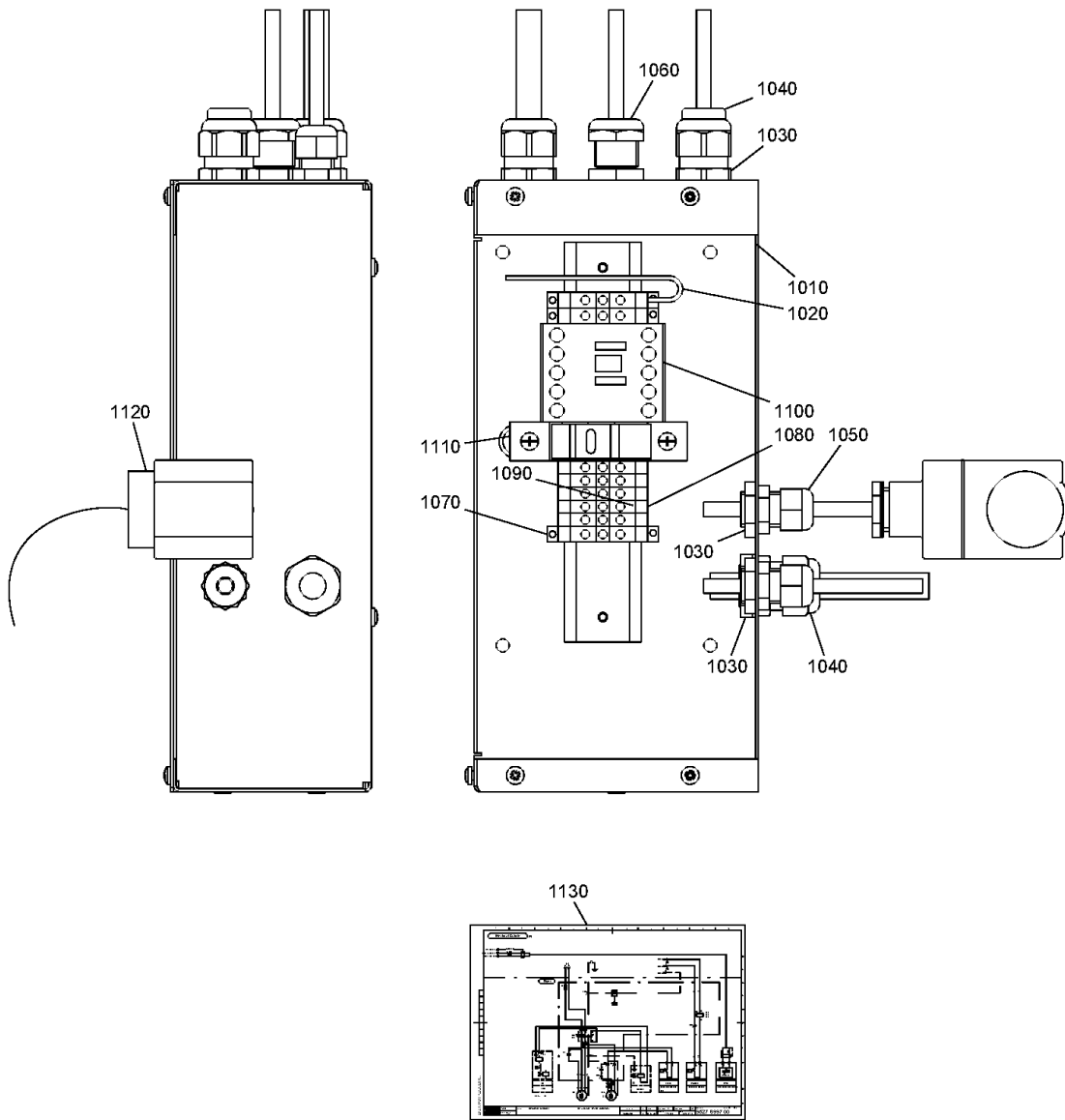
Ref	Part Number	Qty	Name	Validity
5140	0301 2318 00	2	WASHER	(11/06/2013 - ...)
5150	0333 3214 00	2	WASHER	(11/06/2013 - ...)
6010	1900 5101 93	1	DRYER CUBICLE TRAF0 60HZ	(11/06/2013 - 10/07/2014)
6010	1900 5101 96	1	DRYER CUBICLE TRAF0 60HZ	(11/07/2014 - ...)
6020	1089 9436 90	1	TRANSFORMER VOLTAGE	(11/06/2013 - 01/09/2014)
6020	<del>1089 9436 98</del>	1	TRANSFORMER VOLTAGE	(02/09/2014 - 01/07/2015)
	↻ Substituted by:	1627 1869 00	TRANSFORMER VOLTAGE (quantity: 1)	
6020	1627 1869 00	1	TRANSFORMER VOLTAGE	(02/07/2015 - ...)
6030	1627 1538 00	1	PLATE COVER	(11/06/2013 - ...)
6040	0226 3256 00	3	SCREW	(06/08/2013 - ...)
6050	1627 1683 00	1	DECAL	(11/06/2013 - ...)

**Legend:**

FREQ:60HZ - Frequency:60 Hz  
 MOVOL:230V - Supply voltage:230 V  
 MOVOL:575V - Supply voltage:575 V

MODEL:GA37VP\_13 - Model:GA 37VSD+  
 MOVOL:380V - Supply voltage:380 V

MOVOL:200V - Supply voltage:200 V  
 MOVOL:460V - Supply voltage:460 V



Ref	Part Number	Qty	Name	Validity	R.
	1900 5101 92	1	DRYER CUBICLE TRAF0 50HZ	(20/02/2013 - 10/07/2014) (MOVOL:200V , MOVOL:230V , MOVOL:400V , MOVOL:500V) + FREQ:50HZ	
	1900 5101 95	1	DRYER CUBICLE TRAF0 50HZ	(11/07/2014 - ...) (MOVOL:200V , MOVOL:230V , MOVOL:400V , MOVOL:500V) + FREQ:50HZ	
	1900 5101 91	1	DRYER CUBICLE 400V+N 50HZ	(20/02/2013 - 10/07/2014) FREQ:50HZ + MOVOL:400VN	
	1900 5101 94	1	DRYER CUBICLE 400V+N 50HZ	(11/07/2014 - ...) FREQ:50HZ + MOVOL:400VN	
	1900 5101 93	1	DRYER CUBICLE TRAF0 60HZ	(20/02/2013 - 10/07/2014) (MOVOL:200V , MOVOL:230V , MOVOL:380V , MOVOL:460V , MOVOL:575V) + FREQ:60HZ	
	1900 5101 96	1	DRYER CUBICLE TRAF0 60HZ	(11/07/2014 - ...) (MOVOL:200V , MOVOL:230V , MOVOL:380V , MOVOL:460V , MOVOL:575V) + FREQ:60HZ	
1010	1627 1481 20	1	CUBICLE ASSEMBLY	FREQ:50HZ + MOVOL:400VN	
1010	1627 1481 10	1	CUBICLE ASSEMBLY	(MOVOL:200V , MOVOL:230V , MOVOL:400V , MOVOL:500V) + FREQ:50HZ	
1010	1627 1480 90	1	CUBICLE ASSEMBLY	(MOVOL:200V , MOVOL:230V , MOVOL:380V , MOVOL:460V , MOVOL:575V) + FREQ:60HZ	
1020	1627 1569 10	1	WIRE HARNESS	(20/02/2013 - 10/07/2014) FREQ:50HZ + MOVOL:400VN	
1020	1627 1568 90	1	WIRE HARNESS	(20/02/2013 - 10/07/2014) (MOVOL:200V , MOVOL:230V , MOVOL:400V , MOVOL:500V) + FREQ:50HZ	
1020	1627 1569 20	1	WIRE HARNESS	(20/02/2013 - 10/07/2014) (MOVOL:200V , MOVOL:230V , MOVOL:380V , MOVOL:460V , MOVOL:575V) + FREQ:60HZ	
1020	1927 1569 30	1	WIRE HARNESS	(11/07/2014 - ...) FREQ:50HZ + MOVOL:400VN	
1020	1627 1569 40	1	WIRE HARNESS	(11/07/2014 - ...) (MOVOL:200V , MOVOL:230V , MOVOL:400V , MOVOL:500V) + FREQ:50HZ	
1020	1627 1569 50	1	WIRE HARNESS	(11/07/2014 - ...) (MOVOL:200V , MOVOL:230V , MOVOL:380V , MOVOL:460V , MOVOL:575V) + FREQ:60HZ	
1030	0697 9809 21	7	NUT		M20x1,5
1040	0698 5140 72	4	CABLE GLAND		M20x1,5
1050	0698 5141 30	3	CABLE GLAND		M16x1,5
1060	0698 5141 70	1	CABLE GLAND		M12x1,5
1070	1089 0506 27	3	TERMINAL EARTH	FREQ:50HZ + MOVOL:400VN	
1080	1088 0037 50	5	TERMINAL		
1090	1089 0612 27	1	FUSE	FREQ:50HZ	10A
1090	1089 9168 41	4	FUSE	FREQ:60HZ	10A
1100	1089 9415 14	1	CONTACTOR		
1110	1089 9594 01	2	FUSE HOLDER	FREQ:50HZ + MOVOL:400VN	
1110	1089 9594 02	2	FUSE HOLDER	(MOVOL:200V , MOVOL:230V , MOVOL:400V , MOVOL:500V) + FREQ:50HZ	
1110	1089 9594 04	2	FUSE HOLDER	(MOVOL:200V , MOVOL:230V , MOVOL:380V , MOVOL:460V , MOVOL:575V) + FREQ:60HZ	
1120	2203 0718 01	1	COIL SOLENOID VALVE	FREQ:50HZ	
1120	2203 0719 01	1	COIL SOLENOID VALVE	FREQ:60HZ	
1130	9827 6999 00	1	SERVICE DIAGRAM	(11/07/2014 - ...) FREQ:50HZ + MOVOL:400VN	
1130	9820 7498 00	1	SERVICE DIAGRAM	(11/07/2014 - ...) (MOVOL:200V , MOVOL:230V , MOVOL:380V , MOVOL:400V , MOVOL:460V , MOVOL:500V , MOVOL:575V)	
1130	9827 6997 00	1	SERVICE DIAGRAM	(20/02/2013 - 10/07/2014) FREQ:50HZ + MOVOL:400VN	
1130	9827 6996 00	1	SERVICE DIAGRAM	(20/02/2013 - 10/07/2014) (MOVOL:200V , MOVOL:230V , MOVOL:380V , MOVOL:400V , MOVOL:460V , MOVOL:500V , MOVOL:575V)	

**Legend:**

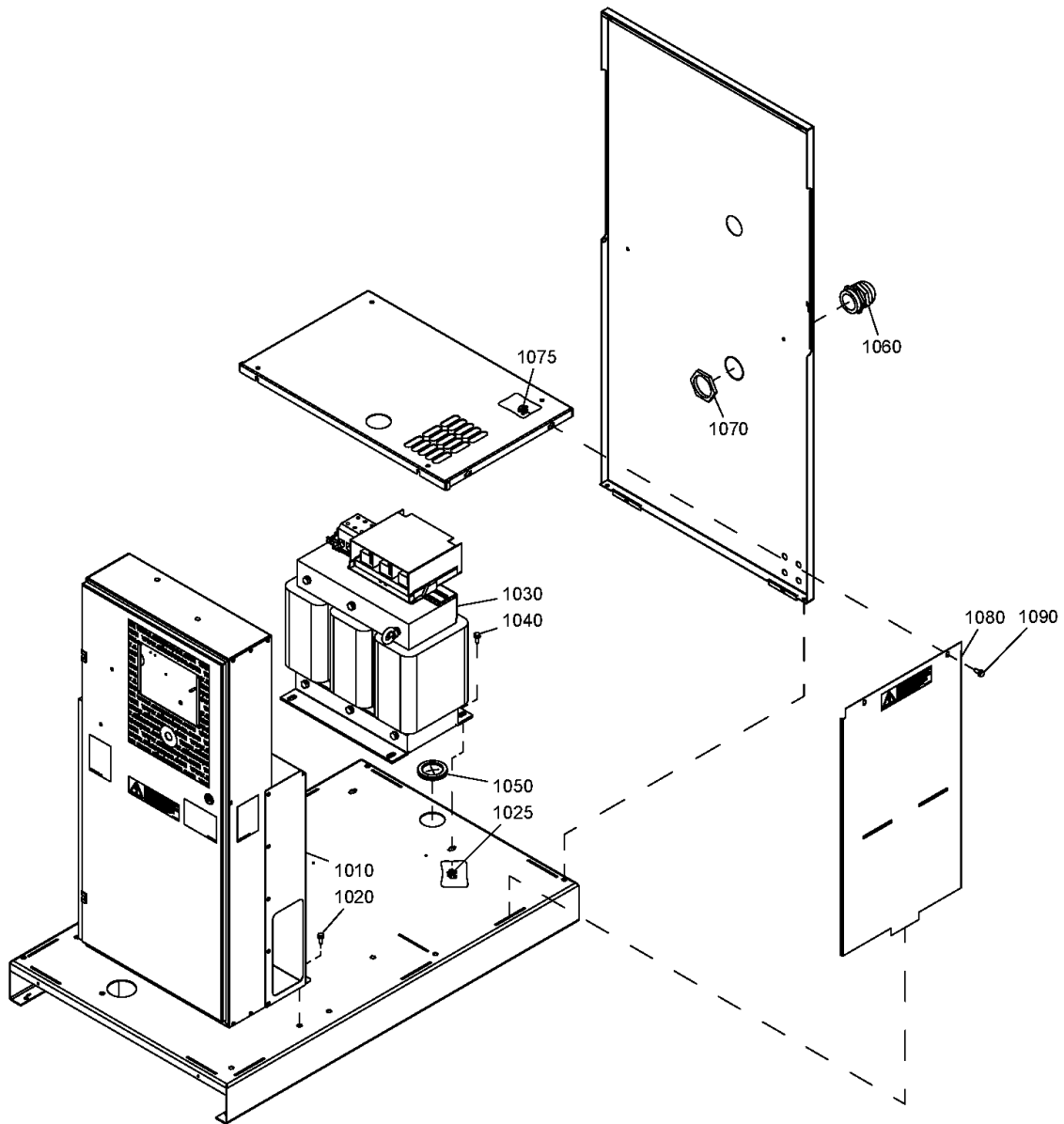
FREQ:50HZ - Frequency:50 Hz  
 MOVOL:230V - Supply voltage:230 V  
 MOVOL:400VN - Supply voltage:400 V+N  
 MOVOL:575V - Supply voltage:575 V

FREQ:60HZ - Frequency:60 Hz  
 MOVOL:380V - Supply voltage:380 V  
 MOVOL:460V - Supply voltage:460 V

MOVOL:200V - Supply voltage:200 V  
 MOVOL:400V - Supply voltage:400 V  
 MOVOL:500V - Supply voltage:500 V

**18.1 - Regulation and cubicle assembly (20/02/2013 - 30/11/2014)**

((MOVOL:200V , MOVOL:230V , MOVOL:380V , MOVOL:460V , MOVOL:575V) + FREQ:60HZ , (MOVOL:200V , MOVOL:230V , MOVOL:400V , MOVOL:500V) + FREQ:50HZ)



## 18.1 - Regulation and cubicle assembly (20/02/2013 - 30/11/2014)

((MOVOL:200V , MOVOL:230V , MOVOL:380V , MOVOL:460V , MOVOL:575V) + FREQ:60HZ , (MOVOL:200V , MOVOL:230V , MOVOL:400V , MOVOL:500V) + FREQ:50HZ)

Ref	Part Number	Qty	Name	Validity	R.
1010	1900-2231-01	1	CUBICLE	(20/02/2013 - 30/11/2014) ((MOVOL:200V , MOVOL:230V , MOVOL:380V , MOVOL:460V , MOVOL:575V) + FREQ:60HZ , (MOVOL:200V , MOVOL:230V , MOVOL:400V , MOVOL:400VN , MOVOL:500V) + FREQ:50HZ) + MODEL:GA18VP_13	
	☞ Substituted by:	1900 2231 51 - GA18 VSD+ (quantity: 1)			
1010	1900-2231-02	1	CUBICLE	(20/02/2013 - 30/11/2014) ((MOVOL:200V , MOVOL:230V , MOVOL:380V , MOVOL:460V , MOVOL:575V) + FREQ:60HZ , (MOVOL:200V , MOVOL:230V , MOVOL:400V , MOVOL:400VN , MOVOL:500V) + FREQ:50HZ) + MODEL:GA22VP_13	
	☞ Substituted by:	1900 2231 52 - GA22 VSD+ (quantity: 1)			
1010	1900-2231-03	1	CUBICLE	(20/02/2013 - 30/11/2014) ((MOVOL:200V , MOVOL:230V , MOVOL:380V , MOVOL:460V , MOVOL:575V) + FREQ:60HZ , (MOVOL:200V , MOVOL:230V , MOVOL:400V , MOVOL:400VN , MOVOL:500V) + FREQ:50HZ) + MODEL:GA26VP_13	
	☞ Substituted by:	1900 2231 53 - GA26 VSD+ (quantity: 1)			
1010	1900-2231-04	1	CUBICLE	(20/02/2013 - 30/11/2014) ((MOVOL:200V , MOVOL:230V , MOVOL:380V , MOVOL:460V , MOVOL:575V) + FREQ:60HZ , (MOVOL:200V , MOVOL:230V , MOVOL:400V , MOVOL:400VN , MOVOL:500V) + FREQ:50HZ) + MODEL:GA30VP_13	
	☞ Substituted by:	1900 2231 54 - GA30 VSD+ (quantity: 1)			
1010	1900-2231-05	1	CUBICLE	(06/06/2013 - ...) MODEL:GA37VP_13	
	☞ Substituted by:	1900 2231 55 - GA37 VSD+ (quantity: 1)			
1020	0147 1963 08	4	HEXAGON BOLT	(20/02/2013 - ...)	
1025	0298 1000 43	4	BLIND RIVET NUT	(06/05/2013 - ...) MOVOL:200V , MOVOL:230V , MOVOL:500V , MOVOL:575V	
1030	1625-4273-01	1	TRANSFORMER	(20/02/2013 - ...) (MOVOL:200V , MOVOL:230V) + MODEL:GA18VP_13	
	☞ Substituted by:	1625 4273 51 - TRANSFORMER VOLTAGE ASS'Y (quantity: 1)			
	● 1089 0591 40	3	FUSE		70A
1030	1625-4273-02	1	TRANSFORMER	(20/02/2013 - ...) (FREQ:50HZ + MOVOL:500V , FREQ:60HZ + MOVOL:575V) + MODEL:GA18VP_13	
	☞ Substituted by:	1625 4273 52 - TRANSFORMER VOLTAGE ASS'Y (quantity: 1)			
	● 1089 0591 40	3	FUSE		70A
1030	1625-4273-03	1	TRANSFORMER	(20/02/2013 - ...) (MOVOL:200V , MOVOL:230V) + MODEL:GA22VP_13	
	☞ Substituted by:	1625 4273 53 - TRANSFORMER VOLTAGE ASS'Y (quantity: 1)			
	● 1089 0591 40	3	FUSE		70A
1030	1625-4273-04	1	TRANSFORMER	(20/02/2013 - ...) (FREQ:50HZ + MOVOL:500V , FREQ:60HZ + MOVOL:575V) + MODEL:GA22VP_13	
	☞ Substituted by:	1625 4273 54 - TRANSFORMER VOLTAGE ASS'Y (quantity: 1)			
	● 1089 0591 40	3	FUSE		70A
1030	1625-4273-05	1	TRANSFORMER	(20/02/2013 - ...) (MOVOL:200V , MOVOL:230V) + MODEL:GA26VP_13	
	☞ Substituted by:	1625 4273 55 - TRANSFORMER VOLTAGE ASS'Y (quantity: 1)			
	● 1089 0591 41	3	FUSE		80A
1030	1625-4273-06	1	TRANSFORMER	(20/02/2013 - ...) (FREQ:50HZ + MOVOL:500V , FREQ:60HZ + MOVOL:575V) + MODEL:GA26VP_13	
	☞ Substituted by:	1625 4273 56 - TRANSFORMER VOLTAGE ASS'Y (quantity: 1)			
	● 1089 0591 41	3	FUSE		
1030	1625-4273-07	1	TRANSFORMER	(20/02/2013 - ...) (MOVOL:200V , MOVOL:230V) + MODEL:GA30VP_13	
	☞ Substituted by:	1625 4273 57 - TRANSFORMER VOLTAGE ASS'Y (quantity: 1)			
	● 1089 0591 42	3	FUSE		90A
1030	1625-4273-08	1	TRANSFORMER	(20/02/2013 - ...) (FREQ:50HZ + MOVOL:500V , FREQ:60HZ + MOVOL:575V) + MODEL:GA30VP_13	
	☞ Substituted by:	1625 4273 58 - TRANSFORMER VOLTAGE ASS'Y (quantity: 1)			
	● 1089 0591 42	3	FUSE		90A
1030	1625-4273-09	1	TRANSFORMER	(06/06/2013 - ...) (MOVOL:200V , MOVOL:230V) + MODEL:GA37VP_13	
	☞ Substituted by:	1625 4273 59 - TRANSFORMER VOLTAGE ASS'Y (quantity: 1)			
	● 1089 0591 43	3	FUSE		100A

### Legend:

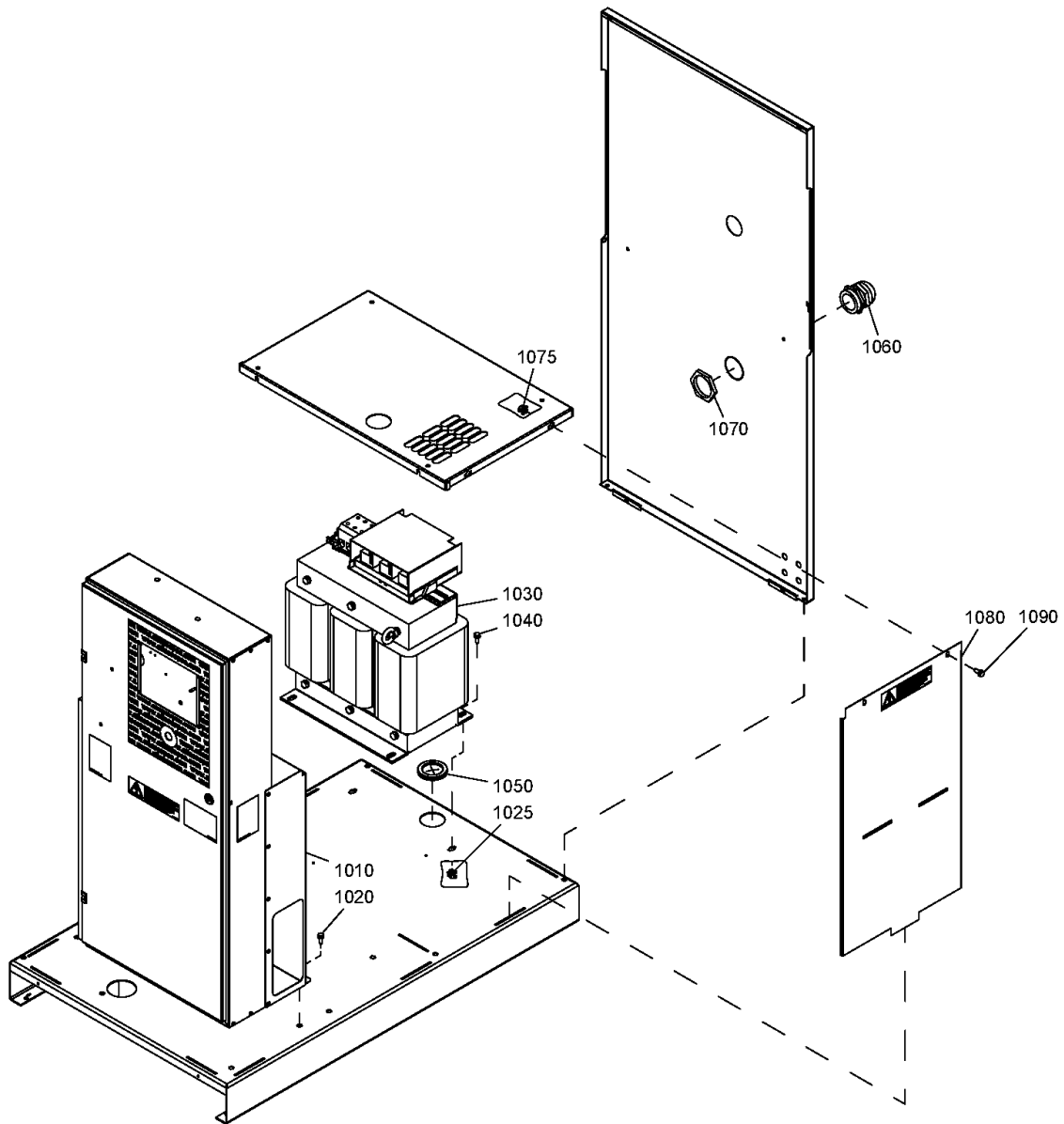
FREQ:50HZ - Frequency:50 Hz  
 MODEL:GA22VP\_13 - Model:GA 22VSD+  
 MODEL:GA37VP\_13 - Model:GA 37VSD+  
 MOVOL:380V - Supply voltage:380 V  
 MOVOL:460V - Supply voltage:460 V

FREQ:60HZ - Frequency:60 Hz  
 MODEL:GA26VP\_13 - Model:GA 26VSD+  
 MOVOL:200V - Supply voltage:200 V  
 MOVOL:400V - Supply voltage:400 V  
 MOVOL:500V - Supply voltage:500 V

MODEL:GA18VP\_13 - Model:GA 18VSD+  
 MODEL:GA30VP\_13 - Model:GA 30VSD+  
 MOVOL:230V - Supply voltage:230 V  
 MOVOL:400VN - Supply voltage:400 V+N  
 MOVOL:575V - Supply voltage:575 V

**18.1 - Regulation and cubicle assembly (20/02/2013 - 30/11/2014)**

((MOVOL:200V , MOVOL:230V , MOVOL:380V , MOVOL:460V , MOVOL:575V) + FREQ:60HZ , (MOVOL:200V , MOVOL:230V , MOVOL:400V , MOVOL:500V) + FREQ:50HZ)



## 18.1 - Regulation and cubicle assembly (20/02/2013 - 30/11/2014)

((MOVOL:200V , MOVOL:230V , MOVOL:380V , MOVOL:460V , MOVOL:575V) + FREQ:60HZ , (MOVOL:200V , MOVOL:230V , MOVOL:400V , MOVOL:500V) + FREQ:50HZ)

Ref	Part Number	Qty	Name	Validity	R.
1030	1625 4273 10	1	TRANSFORMER	(06/06/2013 - ...) (FREQ:50HZ + MOVOL:500V , FREQ:60HZ + MOVOL:575V) + MODEL:GA37VP_13	
	<b>Substituted by:</b>	1625 4273 60	TRANSFORMER VOLTAGE ASS'Y (quantity: 1)		
	• 1089 0591 43	3	FUSE		100A
1040	0147 1963 08	4	HEXAGON BOLT	(20/02/2013 - ...) (MODEL:GA18VP_13 , MODEL:GA22VP_13) + (MOVOL:200V , MOVOL:230V)	
1040	0147 1400 03	4	HEXAGON BOLT	(20/02/2013 - ...) (MODEL:GA18VP_13 , MODEL:GA22VP_13) + (MOVOL:500V , MOVOL:575V) , (MODEL:GA26VP_13 , MODEL:GA30VP_13 , MODEL:GA37VP_13) + (MOVOL:200V , MOVOL:230V , MOVOL:500V , MOVOL:575V)	
1050	1088 0803 27	1	GROMMET	(20/02/2013 - ...) MOVOL:200V , MOVOL:230V , MOVOL:500V , MOVOL:575V	
1060	0698 5140 77	1	CABLE GLAND	(20/02/2013 - ...) MOVOL:200V , MOVOL:230V , MOVOL:500V , MOVOL:575V	
1070	0697 9809 26	1	NUT	(20/02/2013 - ...) MOVOL:200V , MOVOL:230V , MOVOL:500V , MOVOL:575V	
1075	0298 1000 43	2	BLIND RIVET NUT	(06/05/2013 - ...) MOVOL:200V , MOVOL:230V , MOVOL:500V , MOVOL:575V	
1080	1625 4793 80	1	PROTECTION PLATE	(20/02/2013 - ...) MOVOL:200V , MOVOL:230V , MOVOL:500V , MOVOL:575V	
1090	0147 1963 08	2	HEXAGON BOLT	(20/02/2013 - ...) MOVOL:200V , MOVOL:230V , MOVOL:500V , MOVOL:575V	

### Legend:

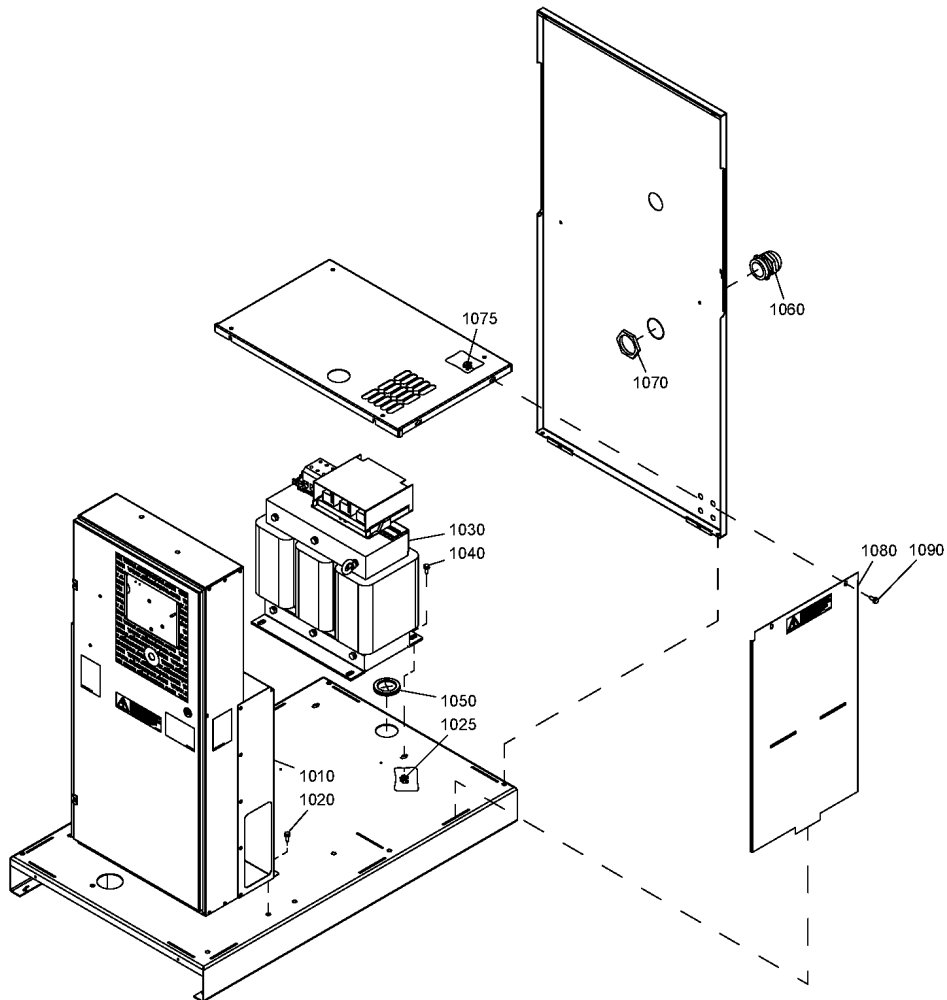
FREQ:50HZ - Frequency:50 Hz  
 MODEL:GA22VP\_13 - Model:GA 22VSD+  
 MODEL:GA37VP\_13 - Model:GA 37VSD+  
 MOVOL:380V - Supply voltage:380 V  
 MOVOL:460V - Supply voltage:460 V

FREQ:60HZ - Frequency:60 Hz  
 MODEL:GA26VP\_13 - Model:GA 26VSD+  
 MOVOL:200V - Supply voltage:200 V  
 MOVOL:400V - Supply voltage:400 V  
 MOVOL:500V - Supply voltage:500 V

MODEL:GA18VP\_13 - Model:GA 18VSD+  
 MODEL:GA30VP\_13 - Model:GA 30VSD+  
 MOVOL:230V - Supply voltage:230 V  
 MOVOL:400VN - Supply voltage:400 V+N  
 MOVOL:575V - Supply voltage:575 V

**18.2 - Regulation and cubicle assembly (01/12/2014 - ...)**

((MOVOL:200V , MOVOL:230V , MOVOL:380V , MOVOL:460V , MOVOL:575V) + FREQ:60HZ , (MOVOL:200V , MOVOL:230V , MOVOL:400V , MOVOL:500V) + FREQ:50HZ)



## 18.2 - Regulation and cubicle assembly (01/12/2014 - ...)

(MOVOL:200V , MOVOL:230V , MOVOL:380V , MOVOL:460V , MOVOL:575V) + FREQ:60HZ , (MOVOL:200V , MOVOL:230V , MOVOL:400V , MOVOL:500V) + FREQ:50HZ)

Ref	Part Number	Qty	Name	Validity
1010	1900 2231 51	1	GA18 VSD+	(01/12/2014 - ...) ((MOVOL:200V , MOVOL:230V , MOVOL:380V , MOVOL:460V , MOVOL:575V) + FREQ:60HZ , (MOVOL:200V , MOVOL:230V , MOVOL:400V , MOVOL:400VN , MOVOL:500V) + FREQ:50HZ) + MODEL:GA18VP_13
1010	1900 2231 52	1	GA 22 VSD+	(01/12/2014 - ...) ((MOVOL:200V , MOVOL:230V , MOVOL:380V , MOVOL:460V , MOVOL:575V) + FREQ:60HZ , (MOVOL:200V , MOVOL:230V , MOVOL:400V , MOVOL:400VN , MOVOL:500V) + FREQ:50HZ) + MODEL:GA22VP_13
1010	1900 2231 53	1	GA 26 VSD+	(01/12/2014 - ...) ((MOVOL:200V , MOVOL:230V , MOVOL:380V , MOVOL:460V , MOVOL:575V) + FREQ:60HZ , (MOVOL:200V , MOVOL:230V , MOVOL:400V , MOVOL:400VN , MOVOL:500V) + FREQ:50HZ) + MODEL:GA26VP_13
1010	1900 2231 54	1	GA 30 VSD+	(01/12/2014 - ...) ((MOVOL:200V , MOVOL:230V , MOVOL:380V , MOVOL:460V , MOVOL:575V) + FREQ:60HZ , (MOVOL:200V , MOVOL:230V , MOVOL:400V , MOVOL:400VN , MOVOL:500V) + FREQ:50HZ) + MODEL:GA30VP_13
1010	1900 2231 55	1	GA 37 VSD+	(01/12/2014 - ...) MODEL:GA37VP_13
1020	0147 1963 08	4	SCREW	(20/02/2013 - 05/06/2013) ((MOVOL:200V , MOVOL:230V , MOVOL:380V , MOVOL:460V , MOVOL:575V) + FREQ:60HZ , (MOVOL:200V , MOVOL:230V , MOVOL:400V , MOVOL:400VN , MOVOL:500V) + FREQ:50HZ) + (MODEL:GA18VP_13 , MODEL:GA22VP_13 , MODEL:GA26VP_13 , MODEL:GA30VP_13) (06/06/2013 - ...) ((MODEL:GA18VP_13 , MODEL:GA22VP_13 , MODEL:GA26VP_13 , MODEL:GA30VP_13) + MOVOL:400VN , MOVOL:200V , MOVOL:230V , MOVOL:400V , MOVOL:500V) + FREQ:50HZ , (MOVOL:200V , MOVOL:230V , MOVOL:380V , MOVOL:460V , MOVOL:575V) + FREQ:60HZ
1025	0298 1000 43	4	BLIND RIVET NUT	(06/05/2013 - 05/06/2013) (FREQ:50HZ + MOVOL:500V , FREQ:60HZ + MOVOL:575V , MOVOL:200V , MOVOL:230V) + (MODEL:GA18VP_13 , MODEL:GA22VP_13 , MODEL:GA26VP_13 , MODEL:GA30VP_13) (06/06/2013 - ...) FREQ:50HZ + MOVOL:500V , FREQ:60HZ + MOVOL:575V , MOVOL:200V , MOVOL:230V
1030	1625-4273-01	1	TRANSFORMER	(20/02/2013 - ...) (MOVOL:200V , MOVOL:230V) + MODEL:GA18VP_13
	☞ Substituted by:	1625 4273 51 - TRANSFORMER VOLTAGE ASS'Y (quantity: 1)		
1030	1625-4273-02	1	TRANSFORMER	(20/02/2013 - ...) (FREQ:50HZ + MOVOL:500V , FREQ:60HZ + MOVOL:575V) + MODEL:GA18VP_13
	☞ Substituted by:	1625 4273 52 - TRANSFORMER VOLTAGE ASS'Y (quantity: 1)		
1030	1625-4273-03	1	TRANSFORMER	(20/02/2013 - ...) (MOVOL:200V , MOVOL:230V) + MODEL:GA22VP_13
	☞ Substituted by:	1625 4273 53 - TRANSFORMER VOLTAGE ASS'Y (quantity: 1)		
1030	1625-4273-04	1	TRANSFORMER	(20/02/2013 - ...) (FREQ:50HZ + MOVOL:500V , FREQ:60HZ + MOVOL:575V) + MODEL:GA22VP_13
	☞ Substituted by:	1625 4273 54 - TRANSFORMER VOLTAGE ASS'Y (quantity: 1)		
1030	1625-4273-05	1	TRANSFORMER	(20/02/2013 - ...) (MOVOL:200V , MOVOL:230V) + MODEL:GA26VP_13
	☞ Substituted by:	1625 4273 55 - TRANSFORMER VOLTAGE ASS'Y (quantity: 1)		
1030	1625-4273-06	1	TRANSFORMER	(20/02/2013 - ...) (FREQ:50HZ + MOVOL:500V , FREQ:60HZ + MOVOL:575V) + MODEL:GA26VP_13
	☞ Substituted by:	1625 4273 56 - TRANSFORMER VOLTAGE ASS'Y (quantity: 1)		
1030	1625-4273-07	1	TRANSFORMER	(20/02/2013 - ...) (MOVOL:200V , MOVOL:230V) + MODEL:GA30VP_13
	☞ Substituted by:	1625 4273 57 - TRANSFORMER VOLTAGE ASS'Y (quantity: 1)		
1030	1625-4273-08	1	TRANSFORMER	(20/02/2013 - ...) (FREQ:50HZ + MOVOL:500V , FREQ:60HZ + MOVOL:575V) + MODEL:GA30VP_13
	☞ Substituted by:	1625 4273 58 - TRANSFORMER VOLTAGE ASS'Y (quantity: 1)		
1030	1625-4273-09	1	TRANSFORMER	(06/06/2013 - ...) (MOVOL:200V , MOVOL:230V) + MODEL:GA37VP_13
	☞ Substituted by:	1625 4273 59 - TRANSFORMER VOLTAGE ASS'Y (quantity: 1)		
1030	1625-4273-10	1	TRANSFORMER	(06/06/2013 - ...) (FREQ:50HZ + MOVOL:500V , FREQ:60HZ + MOVOL:575V) + MODEL:GA37VP_13
	☞ Substituted by:	1625 4273 60 - TRANSFORMER VOLTAGE ASS'Y (quantity: 1)		
1040	0147 1963 08	4	SCREW	(20/02/2013 - ...) (MODEL:GA18VP_13 , MODEL:GA22VP_13) + (MOVOL:200V , MOVOL:230V)

### Legend:

FREQ:50HZ - Frequency:50 Hz  
MODEL:GA22VP\_13 - Model:GA 22VSD+  
MODEL:GA37VP\_13 - Model:GA 37VSD+  
MOVOL:380V - Supply voltage:380 V  
MOVOL:460V - Supply voltage:460 V

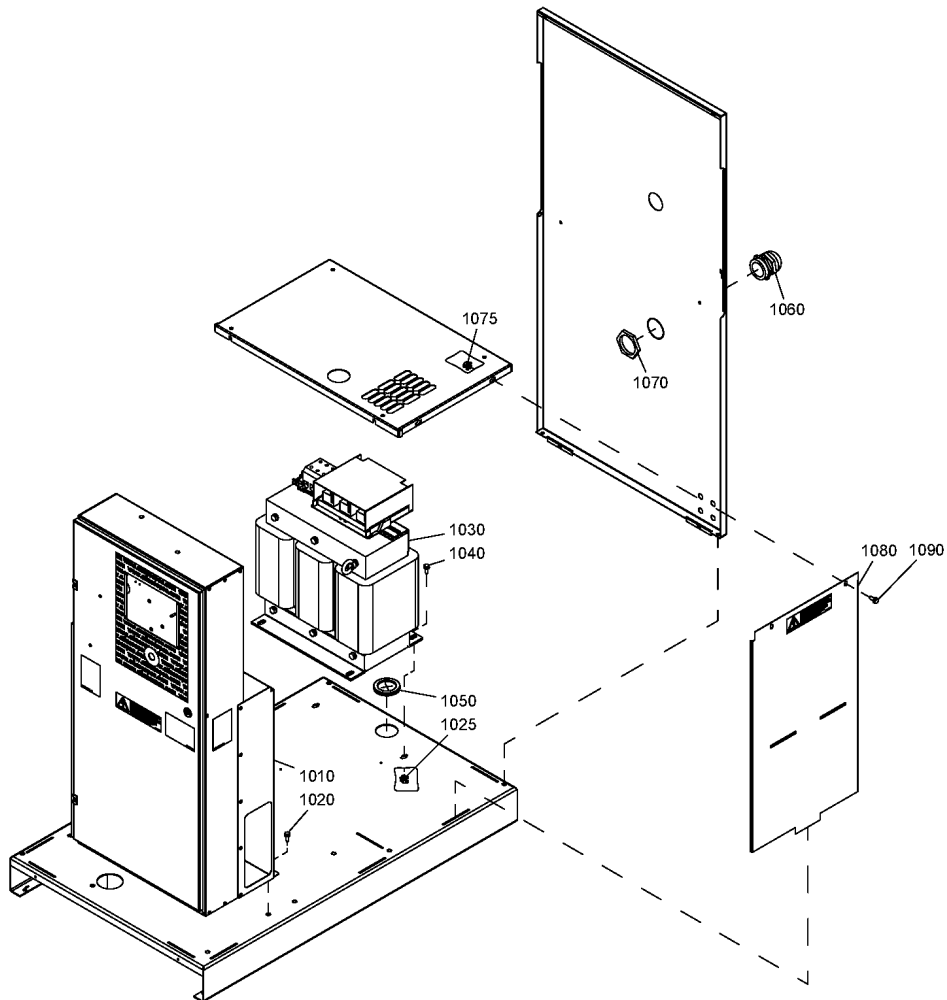
FREQ:60HZ - Frequency:60 Hz  
MODEL:GA26VP\_13 - Model:GA 26VSD+  
MOVOL:200V - Supply voltage:200 V  
MOVOL:400V - Supply voltage:400 V  
MOVOL:500V - Supply voltage:500 V

MODEL:GA18VP\_13 - Model:GA 18VSD+  
MODEL:GA30VP\_13 - Model:GA 30VSD+  
MOVOL:230V - Supply voltage:230 V  
MOVOL:400VN - Supply voltage:400 V+N  
MOVOL:575V - Supply voltage:575 V



**18.2 - Regulation and cubicle assembly (01/12/2014 - ...)**

((MOVOL:200V , MOVOL:230V , MOVOL:380V , MOVOL:460V , MOVOL:575V) + FREQ:60HZ , (MOVOL:200V , MOVOL:230V , MOVOL:400V , MOVOL:500V) + FREQ:50HZ)



## 18.2 - Regulation and cubicle assembly (01/12/2014 - ...)

((MOVOL:200V , MOVOL:230V , MOVOL:380V , MOVOL:460V , MOVOL:575V) + FREQ:60HZ , (MOVOL:200V , MOVOL:230V , MOVOL:400V , MOVOL:500V) + FREQ:50HZ)

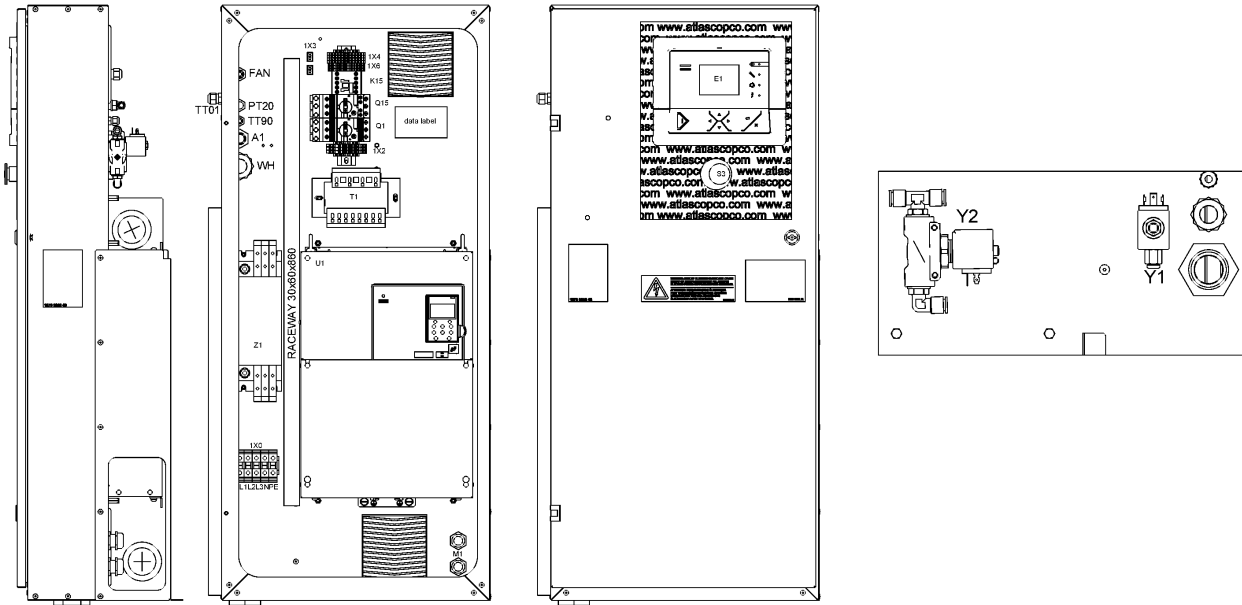
Ref	Part Number	Qty	Name	Validity
1040	0147 1400 03	4	HEXAGON BOLT	(20/02/2013 - 05/06/2013) (FREQ:50HZ + MOVOL:500V , FREQ:60HZ + MOVOL:575V) + (MODEL:GA18VP_13 , MODEL:GA22VP_13 , MODEL:GA26VP_13 , MODEL:GA30VP_13) + (MOVOL:200V , MOVOL:230V) (06/06/2013 - 26/08/2015) (MODEL:GA26VP_13 , MODEL:GA30VP_13 , MODEL:GA37VP_13) + (MOVOL:200V , MOVOL:230V) , FREQ:50HZ + MOVOL:500V , FREQ:60HZ + MOVOL:575V
1050	1088 0803 27	1	GROMMET	(20/02/2013 - 05/06/2013) (FREQ:50HZ + MOVOL:500V , FREQ:60HZ + MOVOL:575V , MOVOL:200V , MOVOL:230V) + (MODEL:GA18VP_13 , MODEL:GA22VP_13 , MODEL:GA26VP_13 , MODEL:GA30VP_13) (06/06/2013 - ...) FREQ:50HZ + MOVOL:500V , FREQ:60HZ + MOVOL:575V , MOVOL:200V , MOVOL:230V
1060	0698 5140 77	1	CABLE GLAND	(20/02/2013 - 05/06/2013) (FREQ:50HZ + MOVOL:500V , FREQ:60HZ + MOVOL:575V , MOVOL:200V , MOVOL:230V) + (MODEL:GA18VP_13 , MODEL:GA22VP_13 , MODEL:GA26VP_13 , MODEL:GA30VP_13) (06/06/2013 - ...) FREQ:50HZ + MOVOL:500V , FREQ:60HZ + MOVOL:575V , MOVOL:200V , MOVOL:230V
1070	0697 9809 26	1	NUT	(20/02/2013 - 05/06/2013) (FREQ:50HZ + MOVOL:500V , FREQ:60HZ + MOVOL:575V , MOVOL:200V , MOVOL:230V) + (MODEL:GA18VP_13 , MODEL:GA22VP_13 , MODEL:GA26VP_13 , MODEL:GA30VP_13) (06/06/2013 - ...) FREQ:50HZ + MOVOL:500V , FREQ:60HZ + MOVOL:575V , MOVOL:200V , MOVOL:230V
1075	0298 1000 43	2	BLIND RIVET NUT	(06/05/2013 - 05/06/2013) (FREQ:50HZ + MOVOL:500V , FREQ:60HZ + MOVOL:575V , MOVOL:200V , MOVOL:230V) + (MODEL:GA18VP_13 , MODEL:GA22VP_13 , MODEL:GA26VP_13 , MODEL:GA30VP_13) (06/06/2013 - ...) FREQ:50HZ + MOVOL:500V , FREQ:60HZ + MOVOL:575V , MOVOL:200V , MOVOL:230V
1080	1625 4793 80	1	PROTECTION PLATE	(20/02/2013 - 05/06/2013) (FREQ:50HZ + MOVOL:500V , FREQ:60HZ + MOVOL:575V , MOVOL:200V , MOVOL:230V) + (MODEL:GA18VP_13 , MODEL:GA22VP_13 , MODEL:GA26VP_13 , MODEL:GA30VP_13) (06/06/2013 - ...) FREQ:50HZ + MOVOL:500V , FREQ:60HZ + MOVOL:575V , MOVOL:200V , MOVOL:230V
	• 1625 4793 00	1	PROTECTION PLATE TRANSFO	
	• 1079 9931 46	1	DECAL WARNING	
	• 1619 2758 00	20	SEAL GASKET	(10/10/2013 - ...) FREQ:50HZ + MOVOL:500V , FREQ:60HZ + MOVOL:575V , MOVOL:200V , MOVOL:230V
1090	0147 1963 08	2	SCREW	(20/02/2013 - 05/06/2013) (FREQ:50HZ + MOVOL:500V , FREQ:60HZ + MOVOL:575V , MOVOL:200V , MOVOL:230V) + (MODEL:GA18VP_13 , MODEL:GA22VP_13 , MODEL:GA26VP_13 , MODEL:GA30VP_13) (06/06/2013 - ...) FREQ:50HZ + MOVOL:500V , FREQ:60HZ + MOVOL:575V , MOVOL:200V , MOVOL:230V

### Legend:

FREQ:50HZ - Frequency:50 Hz  
MODEL:GA22VP\_13 - Model:GA 22VSD+  
MODEL:GA37VP\_13 - Model:GA 37VSD+  
MOVOL:380V - Supply voltage:380 V  
MOVOL:460V - Supply voltage:460 V

FREQ:60HZ - Frequency:60 Hz  
MODEL:GA26VP\_13 - Model:GA 26VSD+  
MOVOL:200V - Supply voltage:200 V  
MOVOL:400V - Supply voltage:400 V  
MOVOL:500V - Supply voltage:500 V

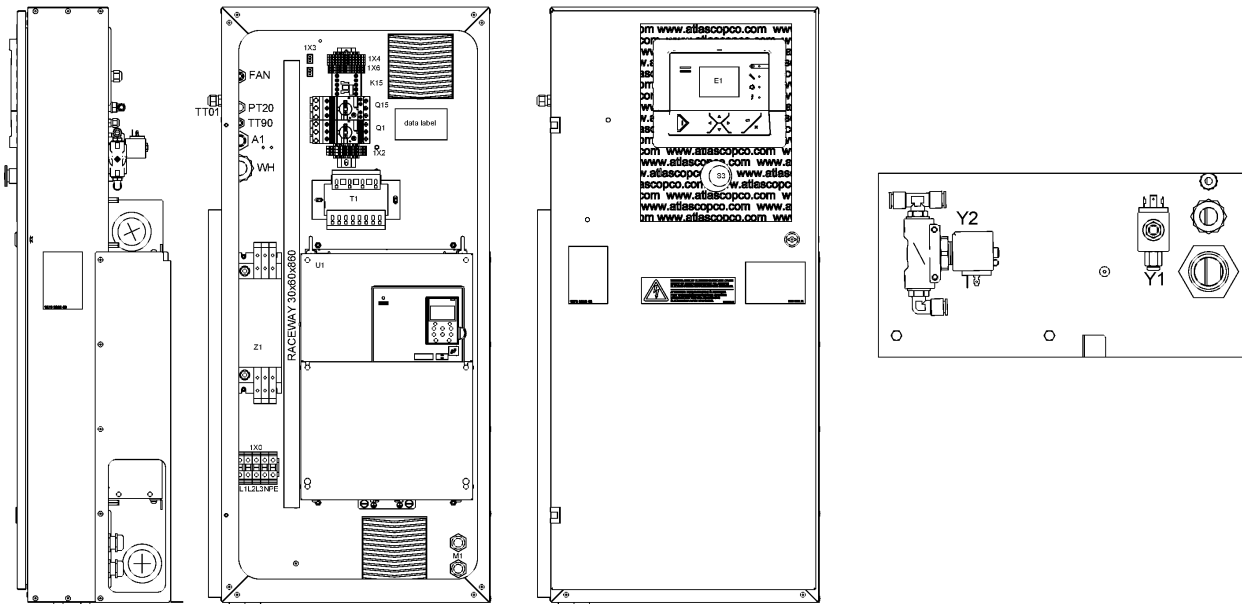
MODEL:GA18VP\_13 - Model:GA 18VSD+  
MODEL:GA30VP\_13 - Model:GA 30VSD+  
MOVOL:230V - Supply voltage:230 V  
MOVOL:400VN - Supply voltage:400 V+N  
MOVOL:575V - Supply voltage:575 V



Ref	Part Number	Qty	Name	Validity	EL	R.
	1625 4704 80	1	METAL SHEET ASSEMBLY			
	1625 4729 00	1	WIRE HARNESS			
	9820 7071 01	1	SERVICE DIAGRAM	MODEL:GA18VP_13, MODEL:GA22VP_13, MODEL:GA26VP_13, MODEL:GA30VP_13		
	9820 7071 02	1	SERVICE DIAGRAM	MODEL:GA37VP_13		
	9820 7071 21	-	ASSEMBLY DRAWING			
	1625 4730 00	2	MOTOR CABLE ASSEMBLY	MODEL:GA18VP_13, MODEL:GA22VP_13, MODEL:GA26VP_13		
	1625 4833 00	2	MOTOR CABLE ASSEMBLY	MODEL:GA30VP_13, MODEL:GA37VP_13		
	1625 4804 00	1	COMMUNICATION CABLE			RS485
	1625 4765 00	1	CONVERTER FRAME	MODEL:GA18VP_13		
	1625 4764 00	1	CONVERTER FRAME	MODEL:GA22VP_13, MODEL:GA26VP_13		
	1089 9487 02	1	FERRIC COIL	MODEL:GA18VP_13, MODEL:GA22VP_13, MODEL:GA26VP_13		
	1089 9487 05	1	FERRIC COIL	MODEL:GA30VP_13, MODEL:GA37VP_13		
	1625 4832 01	1	CONVERTER ASSEMBLY	MODEL:GA18VP_13	U1	
	1625 4832 02	1	CONVERTER ASSEMBLY	MODEL:GA22VP_13	U1	
	1625 4832 03	1	CONVERTER ASSEMBLY	MODEL:GA26VP_13	U1	
	1625 4832 04	1	CONVERTER ASSEMBLY	MODEL:GA30VP_13	U1	
	1625 4832 05	1	CONVERTER ASSEMBLY	MODEL:GA37VP_13	U1	
	1089 9339 49	1	EMC FILTER	MODEL:GA18VP_13, MODEL:GA22VP_13	Z1	
	1089 9339 50	1	EMC FILTER	MODEL:GA26VP_13, MODEL:GA30VP_13	Z1	
	1089 9339 74	1	EMC FILTER	MODEL:GA37VP_13	Z1	
	1089 9551 15	1	CIRCUIT BREAKER		Q1	
	1089 9551 34	1	CIRCUIT BREAKER		Q15	
	1089 9602 10	2	CONNECTION BLOCK CIRCUIT BREAKER		Q1+Q15	
	<del>1089 9664 06</del>	1	AUXILIARY SWITCH		Q15	
	☞ Substituted by:	1089 9551 97 - AUX.CONTACT CIRCUIT BREAKER (quantity: 1)				
	1089 9602 34	1	CONTACTOR		K15	
	1089 9514 56	1	CONTROL TRANSFORMER		T1	
	<del>1089 9513 38</del>	1	EMERGENCY STOP BUTTON		S3	
	☞ Substituted by:	1089 9513 01 - PUSH BUTTON (quantity: 1)				
	1089 9513 30	3	CONTACT BLOCK		S3	
	1089 9513 28	1	HOLDER		S3	
	1900 5200 13	1	CONTROLLER		E1	
	1088 0038 26	4	TERMINAL		1X4	
	1088 0039 40	1	TERMINAL END PLATE		1X4	
	1088 0061 07	1	TERMINAL BRIDGE		1X4	
	1088 0021 41	2	TERMINAL		1X2:L1-L2	
	1088 0021 42	1	TERMINAL		1X2:N	
	1088 0021 43	1	TERMINAL END PLATE		1X2	
	1088 0039 93	1	TERMINAL		1X4	
	1088 0039 93	2	TERMINAL	MODEL:GA37VP_13	1X6	
	1088 0039 95	1	TERMINAL	MODEL:GA37VP_13	1X4-1X6	
	1088 0039 95	1	TERMINAL	MODEL:GA18VP_13, MODEL:GA22VP_13, MODEL:GA26VP_13, MODEL:GA30VP_13	1X4	
	1088 0037 30	1	CONNECTOR		1X5	
	1088 0031 81	3	END TERMINAL			

**Legend:**MODEL:GA18VP\_13 - Model:GA 18VSD+  
MODEL:GA30VP\_13 - Model:GA 30VSD+MODEL:GA22VP\_13 - Model:GA 22VSD+  
MODEL:GA37VP\_13 - Model:GA 37VSD+

MODEL:GA26VP\_13 - Model:GA 26VSD+



### 18.3 - Cubicle components (20/02/2013 - 30/11/2014)

Ref	Part Number	Qty	Name	Validity	EL	R.
	1089 9427 60	1	TERMINAL		1X0:PE	
	1089 9427 61	3	TERMINAL	MODEL:GA18VP_13, MODEL:GA22VP_13, MODEL:GA26VP_13, MODEL:GA30VP_13	1X0	
	1089 9427 62	1	TERMINAL	MODEL:GA18VP_13, MODEL:GA22VP_13, MODEL:GA26VP_13, MODEL:GA30VP_13	1X0:N	
	1089 9427 63	1	TERMINAL	MODEL:GA18VP_13, MODEL:GA22VP_13, MODEL:GA26VP_13, MODEL:GA30VP_13	1X0:PE	
	1088 0031 32	1	CONNECTOR		2X30	
	1088 0031 26	1	CONNECTOR		2X31	
	1089 0580 12	1	SOLENOID VALVE		Y1	
	1089 0580 09	1	SOLENOID VALVE		Y2	
	1088 1001 01	2	WARNING LABEL		Y1-Y2	
	1089 9556 61	2	AIRINLET WITH FILTER			
	0698 5140 76	1	CABLE GLAND			M50x1,5
	0697 9809 24	1	NUT			M40x1,5
	0697 9809 25	1	NUT	MODEL:GA18VP_13, MODEL:GA22VP_13, MODEL:GA26VP_13, MODEL:GA30VP_13		M50x1,5
	0989 3700 07	1	NUT	MODEL:GA37VP_13		M50x1,5
	0698 5140 71	2	CABLE GLAND		TT01+FAN	M16x1,5
	0697 9809 20	2	NUT		TT01+FAN	M16,1,5
	0698 5140 73	1	CABLE GLAND		A1	M25x1,5
	0698 5148 82	1	BLIND PLUG		A1	
	0698 5140 70	1	CABLE GLAND		TT90	M12,1,5
	0697 9809 22	1	NUT		A1	M25x1,5
	0697 9809 30	1	NUT		TT90	M12x1,5
	0698 5148 43	1	BLIND PLUG		TT90	
	0697 9809 13	1	METAL NUT		PT20	M16x1,5
	0697 9809 77	2	NUT		M1	M25x1,5
	1622 7306 00	1	DATA LABEL			
	0991 8011 09	1	RACEWAY			L=860
	9090 1518 00	1	ELBOW COUPLING		PT20	
	0583 8120 73	1	ELBOW COUPLING		PT20	
	1625 4223 04	1	DIN RAIL		-	
	0583 8121 33	1	ELBOW COUPLING		Y1	
	0583 8100 76	1	COUPLING		Y1	
	0698 5145 04	2	EMC CABLE GLAND	MODEL:GA18VP_13, MODEL:GA22VP_13, MODEL:GA26VP_13, MODEL:GA30VP_13	M1	
	0698 5145 29	2	EMC CABLE GLAND	MODEL:GA37VP_13	M1	
	0583 8121 15	1	ELBOW COUPLING		Y2	
	0583 8140 65	1	T-COUPLING		Y2	

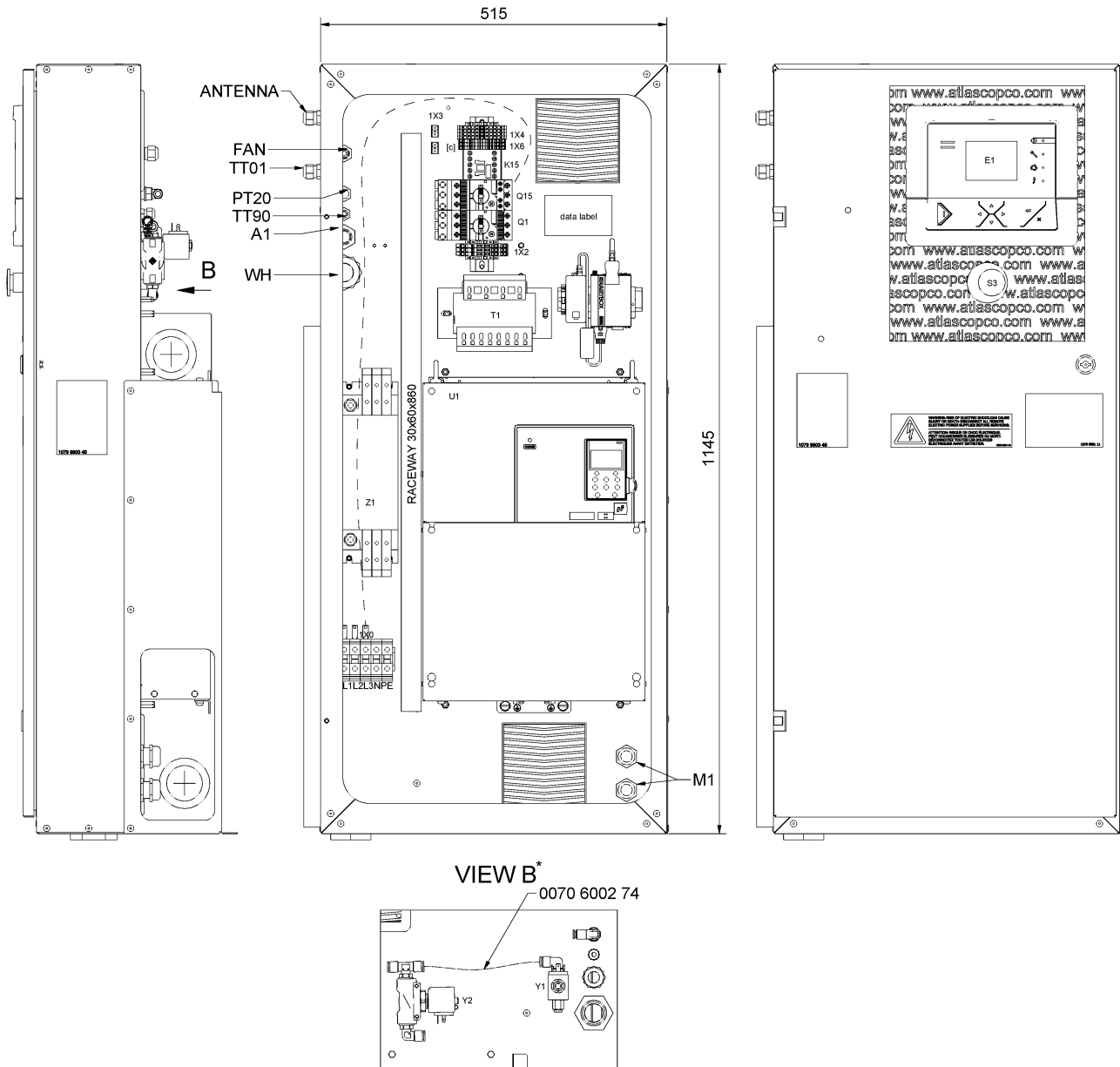
**Legend:**



MODEL:GA18VP\_13 - Model:GA 18VSD+  
MODEL:GA30VP\_13 - Model:GA 30VSD+

MODEL:GA22VP\_13 - Model:GA 22VSD+  
MODEL:GA37VP\_13 - Model:GA 37VSD+

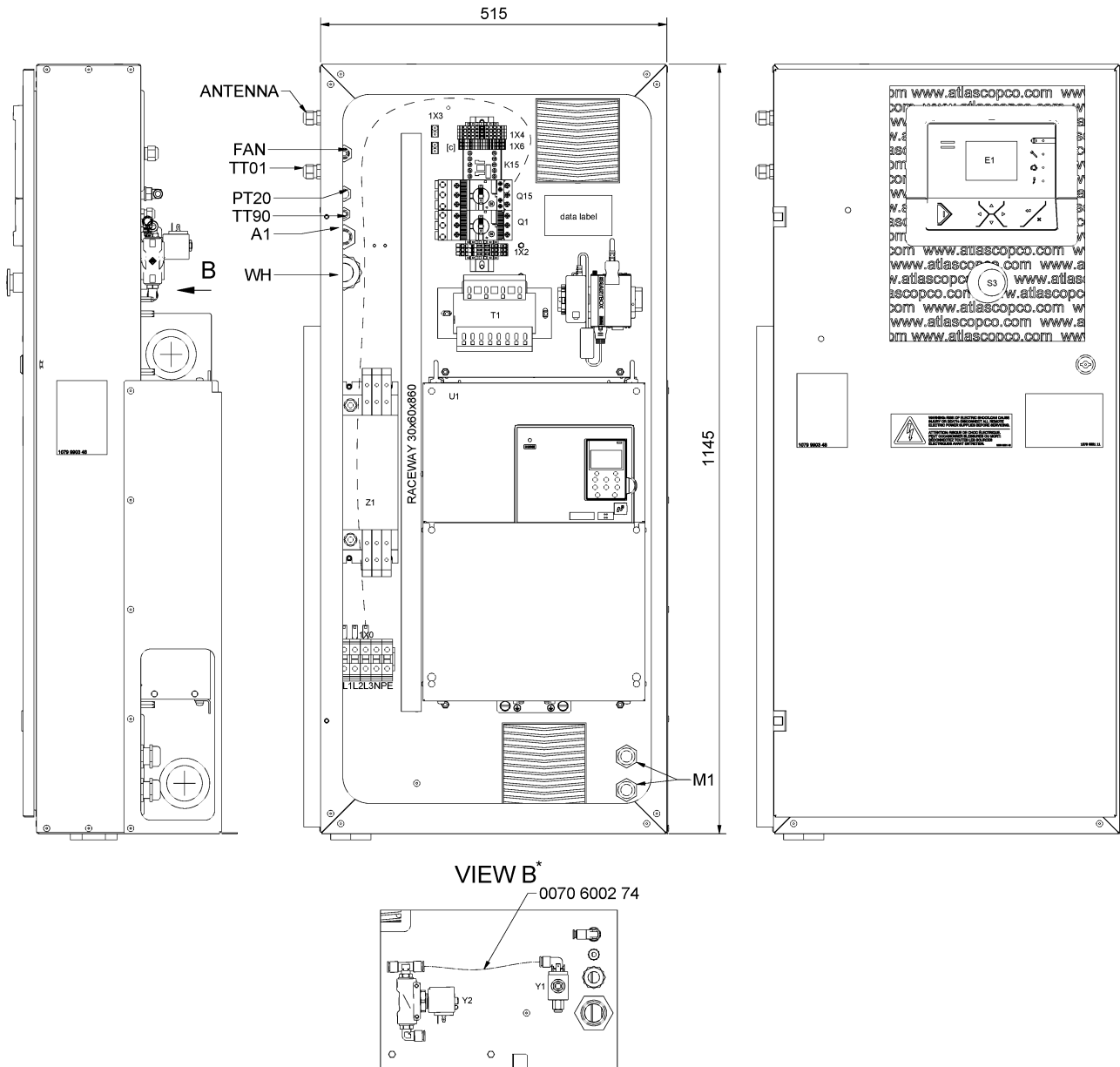
MODEL:GA26VP\_13 - Model:GA 26VSD+





Ref	Part Number	Qty	Name	Validity	EL
	1625 4704 81	1	METAL SHEET ASSEMBLY		MSA
	1625 4729 00	1	WIRE HARNESS		WH
	9820 7071 11	1	SERVICE DIAGRAM	MODEL:GA18VP_13 + MOVOL:400VN	SD
	9820 7071 11	1	SERVICE DIAGRAM	MODEL:GA22VP_13 + MOVOL:400VN	SD
	9820 7071 11	1	SERVICE DIAGRAM	MODEL:GA26VP_13 + MOVOL:400VN	SD
	9820 7071 11	1	SERVICE DIAGRAM	MODEL:GA30VP_13 + MOVOL:400VN	SD
	9820 7071 12	1	SERVICE DIAGRAM	MODEL:GA37VP_13	SD
	9820 7071 22	1	ASSEMBLY DRAWING		AD
	1625 4730 00	2	MOTOR CABLE ASSEMBLY	MODEL:GA18VP_13 + MOVOL:400VN	Motor Cable
	1625 4730 00	2	MOTOR CABLE ASSEMBLY	MODEL:GA22VP_13 + MOVOL:400VN	Motor Cable
	1625 4730 00	2	MOTOR CABLE ASSEMBLY	MODEL:GA26VP_13 + MOVOL:400VN	Motor Cable
	1625 4833 00	2	MOTOR CABLE ASSEMBLY	MODEL:GA30VP_13 + MOVOL:400VN	Motor Cable
	1625 4833 00	2	MOTOR CABLE ASSEMBLY	MODEL:GA37VP_13	Motor Cable
	1625 4804 00	1	COMMUNICATION CABLE		RS485
	1625 4765 00	1	CONVERTER FRAME	MODEL:GA18VP_13 + MOVOL:400VN	plate
	1625 4764 00	1	CONVERTER FRAME	MODEL:GA22VP_13 + MOVOL:400VN	plate
	1625 4764 00	1	CONVERTER FRAME	MODEL:GA26VP_13 + MOVOL:400VN	plate
	1625 4832 01	1	CONVERTER ASSEMBLY	MODEL:GA18VP_13 + MOVOL:400VN	U1
	1625 4832 02	1	CONVERTER ASSEMBLY	MODEL:GA22VP_13 + MOVOL:400VN	U1
	1625 4832 03	1	CONVERTER ASSEMBLY	MODEL:GA26VP_13 + MOVOL:400VN	U1
	1625 4832 04	1	CONVERTER ASSEMBLY	MODEL:GA30VP_13 + MOVOL:400VN	U1
	1625 4832 05	1	CONVERTER ASSEMBLY	MODEL:GA37VP_13	U1
	1089 9339 49	1	EMC FILTER	MODEL:GA18VP_13 + MOVOL:400VN	Z1
	1089 9339 49	1	EMC FILTER	MODEL:GA22VP_13 + MOVOL:400VN	Z1
	1089 9339 50	1	EMC FILTER	MODEL:GA26VP_13 + MOVOL:400VN	Z1
	1089 9339 50	1	EMC FILTER	MODEL:GA30VP_13 + MOVOL:400VN	Z1
	1089 9339 74	1	EMC FILTER	MODEL:GA37VP_13	Z1
	1089 9551 34	1	CIRCUIT BREAKER	MODEL:GA18VP_13 + MOVOL:400VN	Q15
	1089 9551 34	1	CIRCUIT BREAKER	MODEL:GA22VP_13 + MOVOL:400VN	Q15
	1089 9551 34	1	CIRCUIT BREAKER	MODEL:GA26VP_13 + MOVOL:400VN	Q15
	1089 9551 34	1	CIRCUIT BREAKER	MODEL:GA30VP_13 + MOVOL:400VN	Q15
	1089 9551 16	1	CIRCUIT BREAKER	MODEL:GA37VP_13	Q15
	1089 9602 10	2	CONNECTIONBLOCK CIRCUIT BREAKER		Q1+Q15
	<del>1089 9664 06</del>	1	AUX. SWITCH		Q15
	 Substituted by:	1089 9551 97	AUX.CONTACT CIRCUIT BREAKER (quantity: 1)		
	1089 9602 34	1	CONTACTOR		K15
	1089 9514 56	1	CONTROL TRANSFORMER		T1
	<del>1089 9513 38</del>	1	EMERGENCY STOP BUTTON		S3
	 Substituted by:	1089 9513 01	PUSH BUTTON (quantity: 1)		
	1089 9513 30	3	CONTACT BLOCK		S3
	1089 9513 28	1	HOLDER		S3
	1900 5200 13	1	CONTROLLER		E1
	1088 0038 26	4	TERMINAL		1X4
	1088 0039 40	1	TERMINAL END PLATE		1X4
	1088 0061 07	1	TERMINAL BRIDGE		1X4
	1088 0021 41	2	TERMINAL		1X2:L1-L2
	1088 0021 42	1	TERMINAL		1X2:N
	1088 0021 43	1	TERMINAL END PLATE		1X2
	1088 0039 93	1	TERMINAL BLOCK		1X4
	1088 0039 93	2	TERMINAL BLOCK	MODEL:GA37VP_13	1X6
	1088 0039 95	1	TERMINAL BLOCK	MODEL:GA37VP_13	1X4-1X6

**Legend:**MODEL:GA18VP\_13 - Model:GA 18VSD+  
MODEL:GA30VP\_13 - Model:GA 30VSD+MODEL:GA22VP\_13 - Model:GA 22VSD+  
MODEL:GA37VP\_13 - Model:GA 37VSD+MODEL:GA26VP\_13 - Model:GA 26VSD+  
MOVOL:400VN - Supply voltage:400 V+N



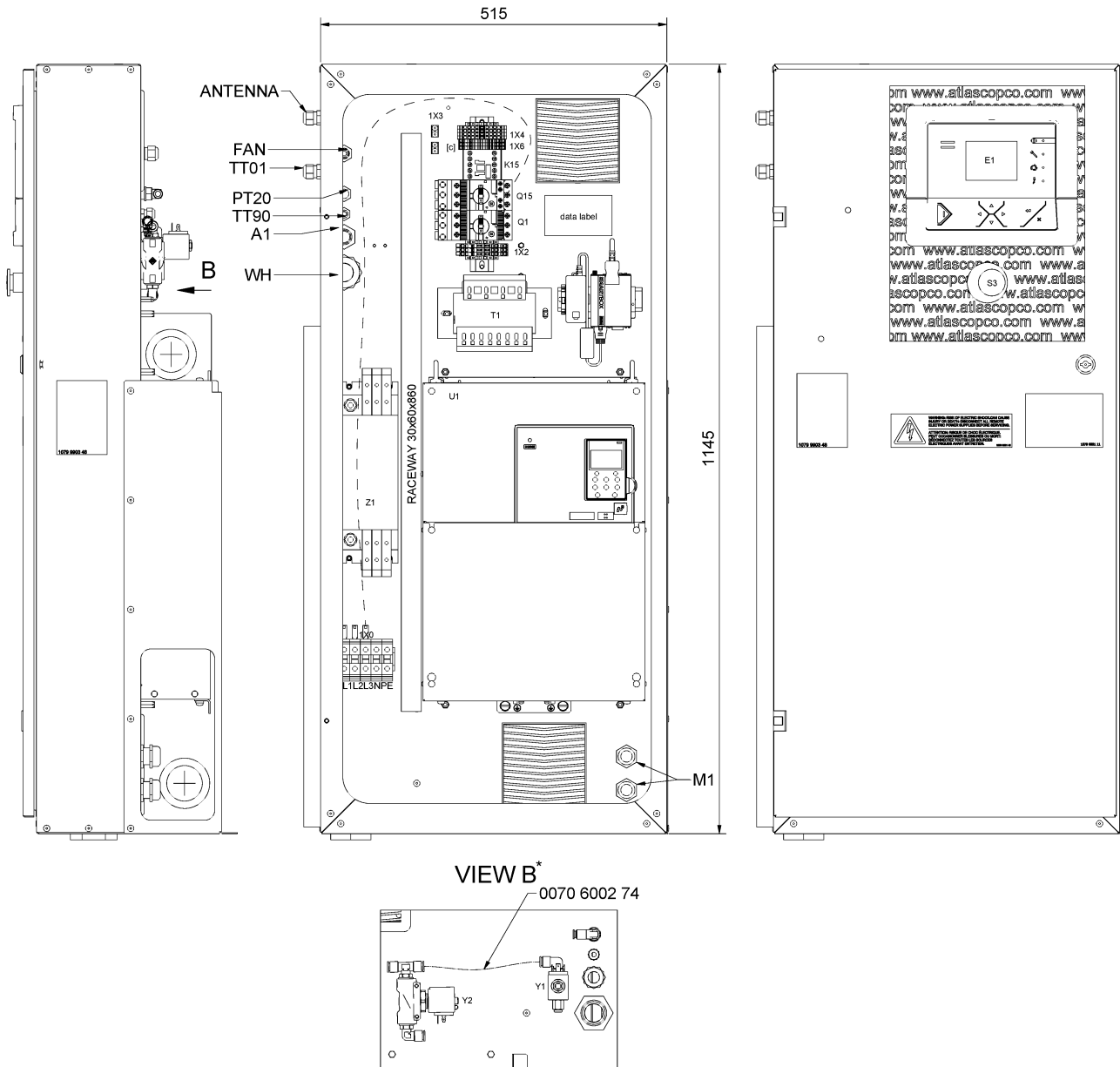
Ref	Part Number	Qty	Name	Validity	EL
	1088 0039 95	1	TERMINAL BLOCK	MODEL:GA18VP_13 + MOVOL:400VN	1X4
	1088 0039 95	1	TERMINAL BLOCK	MODEL:GA22VP_13 + MOVOL:400VN	1X4
	1088 0039 95	1	TERMINAL BLOCK	MODEL:GA26VP_13 + MOVOL:400VN	1X4
	1088 0039 95	1	TERMINAL BLOCK	MODEL:GA30VP_13 + MOVOL:400VN	1X4
	1088 0037 30	1	FEMALE CONNECTOR		1X5
	1088 0031 26	1	CONNECTOR FEMALE		2X31
	1088 0031 81	3	END TERMINAL		end terminal
	<b>Electrical legend:</b>	end terminal			
	1089 9427 60	1	TERMINALS	MODEL:GA18VP_13 + MOVOL:400VN	1X0:PE
	1089 9427 60	1	TERMINALS	MODEL:GA22VP_13 + MOVOL:400VN	1X0:PE
	1089 9427 60	1	TERMINALS	MODEL:GA26VP_13 + MOVOL:400VN	1X0:PE
	1089 9427 60	1	TERMINALS	MODEL:GA30VP_13 + MOVOL:400VN	1X0:PE
	1089 9427 61	3	TERMINALS	MODEL:GA18VP_13 + MOVOL:400VN	1X0
	1089 9427 61	3	TERMINALS	MODEL:GA22VP_13 + MOVOL:400VN	1X0
	1089 9427 61	3	TERMINALS	MODEL:GA26VP_13 + MOVOL:400VN	1X0
	1089 9427 61	3	TERMINALS	MODEL:GA30VP_13 + MOVOL:400VN	1X0
	1089 9427 62	1	TERMINALS	MODEL:GA18VP_13 + MOVOL:400VN	1X0:N
	1089 9427 62	1	TERMINALS	MODEL:GA22VP_13 + MOVOL:400VN	1X0:N
	1089 9427 62	1	TERMINALS	MODEL:GA26VP_13 + MOVOL:400VN	1X0:N
	1089 9427 62	1	TERMINALS	MODEL:GA30VP_13 + MOVOL:400VN	1X0:N
	1089 9427 63	1	TERMINALS	MODEL:GA18VP_13 + MOVOL:400VN	1X0:PE
	1089 9427 63	1	TERMINALS	MODEL:GA22VP_13 + MOVOL:400VN	1X0:PE
	1089 9427 63	1	TERMINALS	MODEL:GA26VP_13 + MOVOL:400VN	1X0:PE
	1089 9427 63	1	TERMINALS	MODEL:GA30VP_13 + MOVOL:400VN	1X0:PE
	1089 9366 22	3	TERMINALS	MODEL:GA18VP_13 + MOVOL:400VN	
	<b>Electrical legend:</b>	1X0:L1-L3 to Q15			
	1089 9366 22	3	TERMINALS	MODEL:GA22VP_13 + MOVOL:400VN	
	<b>Electrical legend:</b>	1X0:L1-L3 to Q15			
	1089 9366 22	3	TERMINALS	MODEL:GA26VP_13 + MOVOL:400VN	
	<b>Electrical legend:</b>	1X0:L1-L3 to Q15			
	1089 9366 22	3	TERMINALS	MODEL:GA30VP_13 + MOVOL:400VN	
	<b>Electrical legend:</b>	1X0:L1-L3 to Q15			
	1088 0031 32	1	CONNECTOR FEMALE		2X30
	1089 0580 12	1	SOLENOID VALVE		Y1
	1089 0580 09	1	SOLENOID VALVE		Y2
	1088 1001 01	2	WARNING LABEL		Y1-Y2
	1089 9556 61	2	AIRINLET WITH FILTER		airinlet
	0698 5140 76	1	PLASTIC CABLE GLAND	MODEL:GA18VP_13 + MOVOL:400VN	supply
	0698 5140 76	1	PLASTIC CABLE GLAND	MODEL:GA22VP_13 + MOVOL:400VN	supply
	0698 5140 76	1	PLASTIC CABLE GLAND	MODEL:GA26VP_13 + MOVOL:400VN	supply
	0698 5140 76	1	PLASTIC CABLE GLAND	MODEL:GA30VP_13 + MOVOL:400VN	supply
	0698 5142 49	1	PLASTIC CABLE GLAND	MODEL:GA37VP_13	supply
	0697 9809 24	1	PLASTIC NUT		WH
	0697 9809 25	1	PLASTIC NUT	MODEL:GA18VP_13 + MOVOL:400VN	supply
	0697 9809 25	1	PLASTIC NUT	MODEL:GA22VP_13 + MOVOL:400VN	supply
	0697 9809 25	1	PLASTIC NUT	MODEL:GA26VP_13 + MOVOL:400VN	supply
	0697 9809 25	1	PLASTIC NUT	MODEL:GA30VP_13 + MOVOL:400VN	supply
	0989 3700 07	1	PLASTIC NUT	MODEL:GA37VP_13	supply
	0698 5140 71	3	PLASTIC CABLE GLAND		TT01 + FAN
	0697 9809 20	3	PLASTIC NUT		TT01 + FAN
	0698 5140 73	1	PLASTIC CABLE GLAND		A1
	0698 5148 82	1	BLIND PLUG		A1

**Legend:**

MODEL:GA18VP\_13 - Model:GA 18VSD+  
 MODEL:GA30VP\_13 - Model:GA 30VSD+

MODEL:GA22VP\_13 - Model:GA 22VSD+  
 MODEL:GA37VP\_13 - Model:GA 37VSD+

MODEL:GA26VP\_13 - Model:GA 26VSD+  
 MOVOL:400VN - Supply voltage:400 V+N



Ref	Part Number	Qty	Name	Validity	EL
	0698 5140 70	1	PLASTIC CABLE GLAND		TT90
	0697 9809 22	1	PLASTIC NUT		A1
	0697 9809 30	1	PLASTIC NUT		TT90
	0698 5148 43	2	BLIND PLUG		
	<b>Electrical legend:</b>		TT90, ANTENNA		
	0697 9809 13	1	METAL NUT		PT20
	0697 9809 77	2	METAL NUT		M1
	1622 7306 00	1	DATA LABEL		-
	0991 8011 09	1	RACEWAY		L=860
	1089 9487 02	1	FERRIC COIL	MODEL:GA18VP_13 + MOVOL:400VN	-
	1089 9487 02	1	FERRIC COIL	MODEL:GA22VP_13 + MOVOL:400VN	-
	1089 9487 02	1	FERRIC COIL	MODEL:GA26VP_13 + MOVOL:400VN	-
	1089 9487 05	1	FERRIC COIL	MODEL:GA30VP_13 + MOVOL:400VN	-
	1089 9487 05	1	FERRIC COIL	MODEL:GA37VP_13	-
	9090 1518 00	1	ELBOW COUPLING		PT20
	0583 8120 73	1	ELBOW COUPLING		PT20
	1625 4223 04	1	DIN RAIL		-
	0583 8121 33	1	ELBOW COUPLING		Y1
	0583 8100 76	1	COUPLING		Y1
	0698 5145 29	2	EMC CABLE GLAND		M1
	0583 8121 15	1	ELBOW COUPLING		Y2
	0583 8140 65	1	T-COUPLING		Y2

**Legend:**

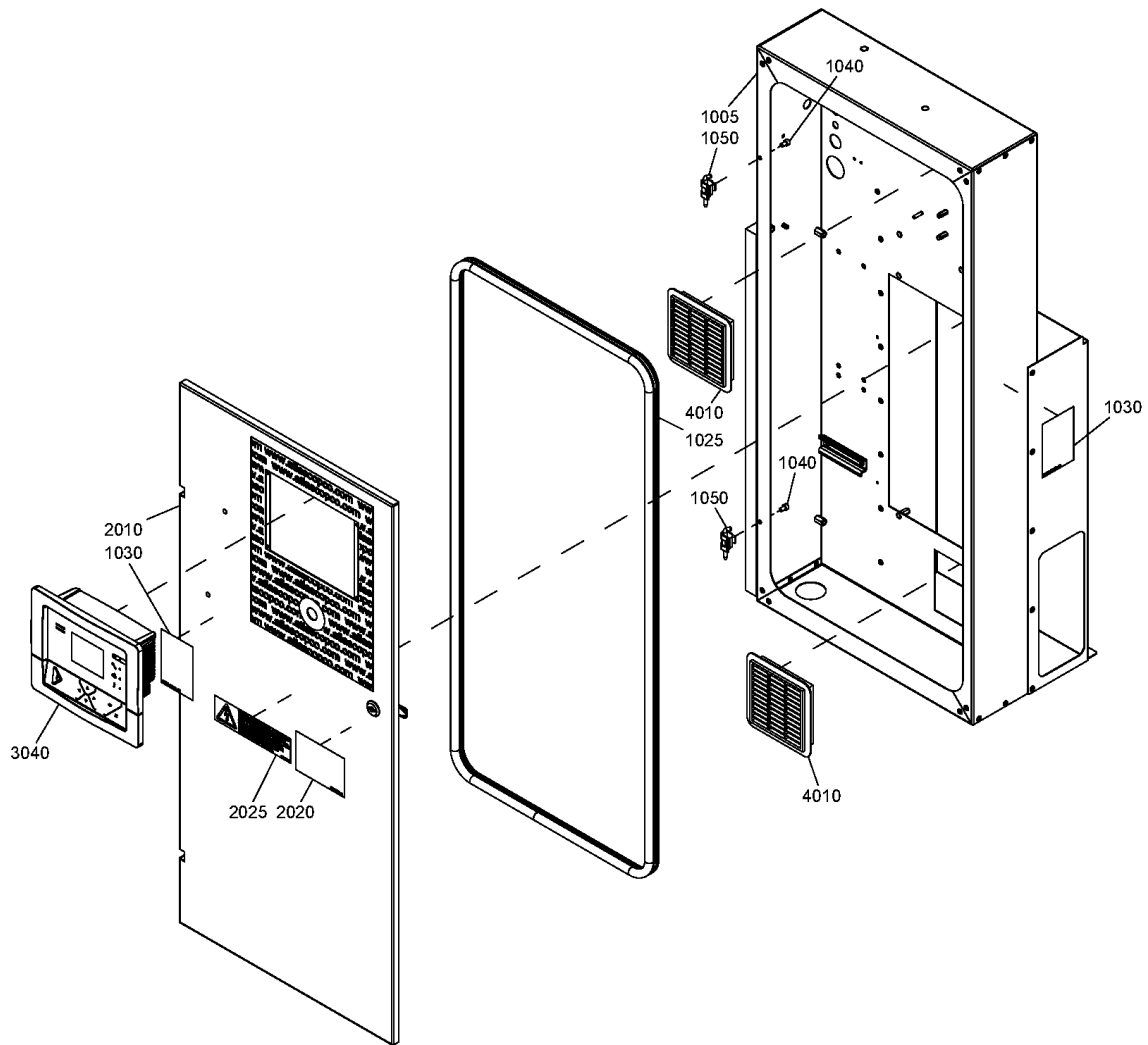
MODEL:GA18VP\_13 - Model:GA 18VSD+  
MODEL:GA30VP\_13 - Model:GA 30VSD+

MODEL:GA22VP\_13 - Model:GA 22VSD+  
MODEL:GA37VP\_13 - Model:GA 37VSD+

MODEL:GA26VP\_13 - Model:GA 26VSD+  
MOVOL:400VN - Supply voltage:400 V+N


**18.5 - Cubicle box and Elektronikon GA 18 VSD+, GA 22 VSD+, GA 26 VSD+**  
 (20/02/2013 - 30/11/2014)

MODEL:GA18VP\_13 , MODEL:GA22VP\_13 , MODEL:GA26VP\_13



**18.5 - Cubicle box and Elektronikon GA 18 VSD+, GA 22 VSD+, GA 26 VSD+ (20/02/2013 - 30/11/2014)**

MODEL:GA18VP\_13 , MODEL:GA22VP\_13 , MODEL:GA26VP\_13

Ref	Part Number	Qty	Name	Validity
1005	1625 4704 00	1	CUBICLE BOX	(14/06/2013 - 30/11/2014)
1025	1202 6584 02	AR	SEAL	(02/07/2013 - 09/10/2013)
1025	1202 6584 02	AR	SEAL	(10/10/2013 - 30/11/2014)
1030	1079 9903 48	1	WARNING LABEL	(02/07/2013 - 30/11/2014)
1040	0147 1243 03	2	HEXAGON BOLT	(02/07/2013 - 09/10/2013)
1040	0211 1243 03	2	SCREW	(10/10/2013 - 30/11/2014)
1050	1202 6400 00	2	HINGE	(02/07/2013 - 30/11/2014)
2010	1625 4705 80	1	CUBICLE DOOR	(14/06/2013 - 30/11/2014)
2020	• 1079 9931 11	1	DECAL	(02/07/2013 - 30/11/2014)
2025	• 1079 9931 46	1	DECAL WARNING	(02/07/2013 - 30/11/2014)
3040	1900 5200 13	1	ELEKTRONIKON MK5 GRAPHIC	(14/06/2013 - 30/11/2014)
4010		2	AIR FILTER	
	 Service kits:	2901 2006 12 - KIT CUBICLE FILTERS		

**Legend:**

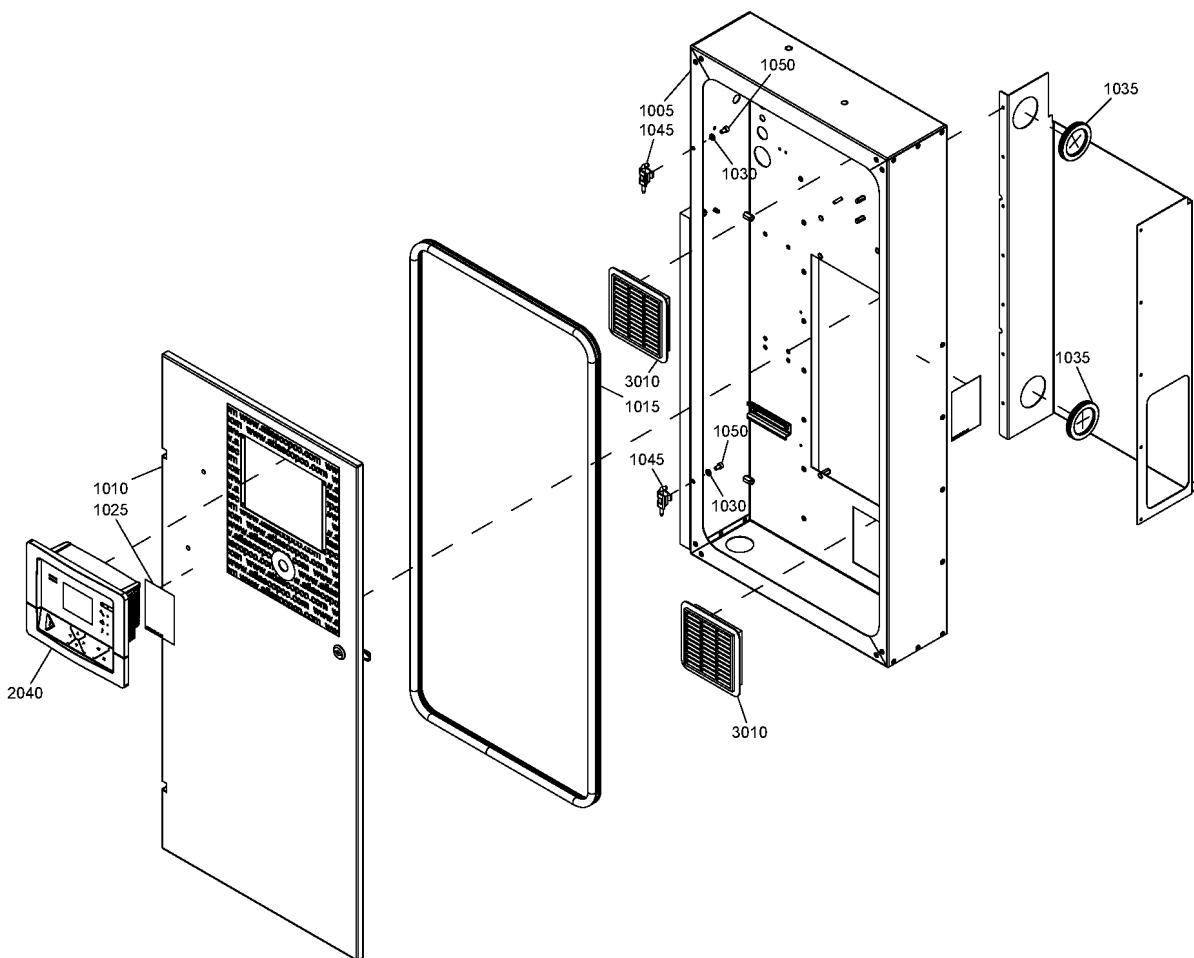
MODEL:GA18VP\_13 - Model:GA 18VSD+

MODEL:GA22VP\_13 - Model:GA 22VSD+

MODEL:GA26VP\_13 - Model:GA 26VSD+

**18.6 - Cubicle box and Elektronikon GA 18 VSD+, GA 22 VSD+, GA 26 VSD+ (01/12/2014 - ...)**

MODEL:GA18VP\_13 , MODEL:GA22VP\_13 , MODEL:GA26VP\_13



**18.6 - Cubicle box and Elektronikon GA 18 VSD+, GA 22 VSD+, GA 26 VSD+ (01/12/2014 - ...)**

MODEL:GA18VP\_13 , MODEL:GA22VP\_13 , MODEL:GA26VP\_13

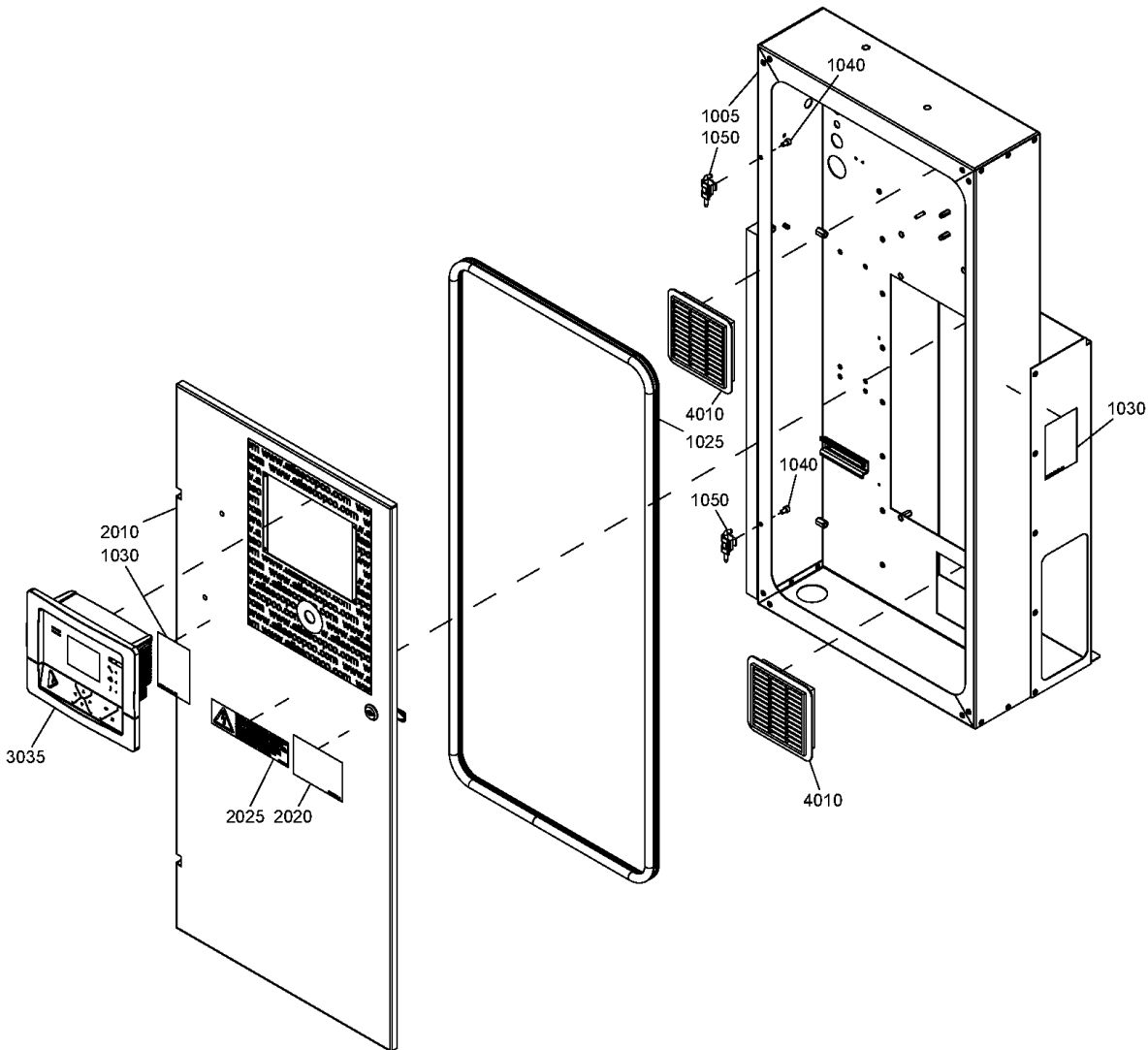
Ref	Part Number	Qty	Name	Validity
1005	1625 4704 10	1	CUBICLE	
1010	1625 4705 80	1	DOOR	
	• 1613 8339 01	1	LOCK	
	• 1079 9931 11	1	DECAL	
	• 1079 9931 46	1	DECAL WARNING	
1015	1202 6584 02	AR	SEAL	
1025	1079 9903 48	1	DECAL	
1030	0301 2321 00	2	WASHER	
1035	1088 0803 27	2	GROMMET	
1045	1202 6400 00	2	HINGE	
1050	0211 1243 03	2	SCREW	
2040	1900 5200 13	1	ELEKTRONIKON MK5 GRAPHIC	(01/12/2014 - ...)
3010	1089 9556 61	2	AIR FILTER	

**Legend:**

MODEL:GA18VP\_13 - Model:GA 18VSD+

MODEL:GA22VP\_13 - Model:GA 22VSD+

MODEL:GA26VP\_13 - Model:GA 26VSD+



**18.7 - Cubicle box and Elektronikon GA 30 VSD+, GA 37 VSD+ (20/02/2013 - 30/10/2014)**

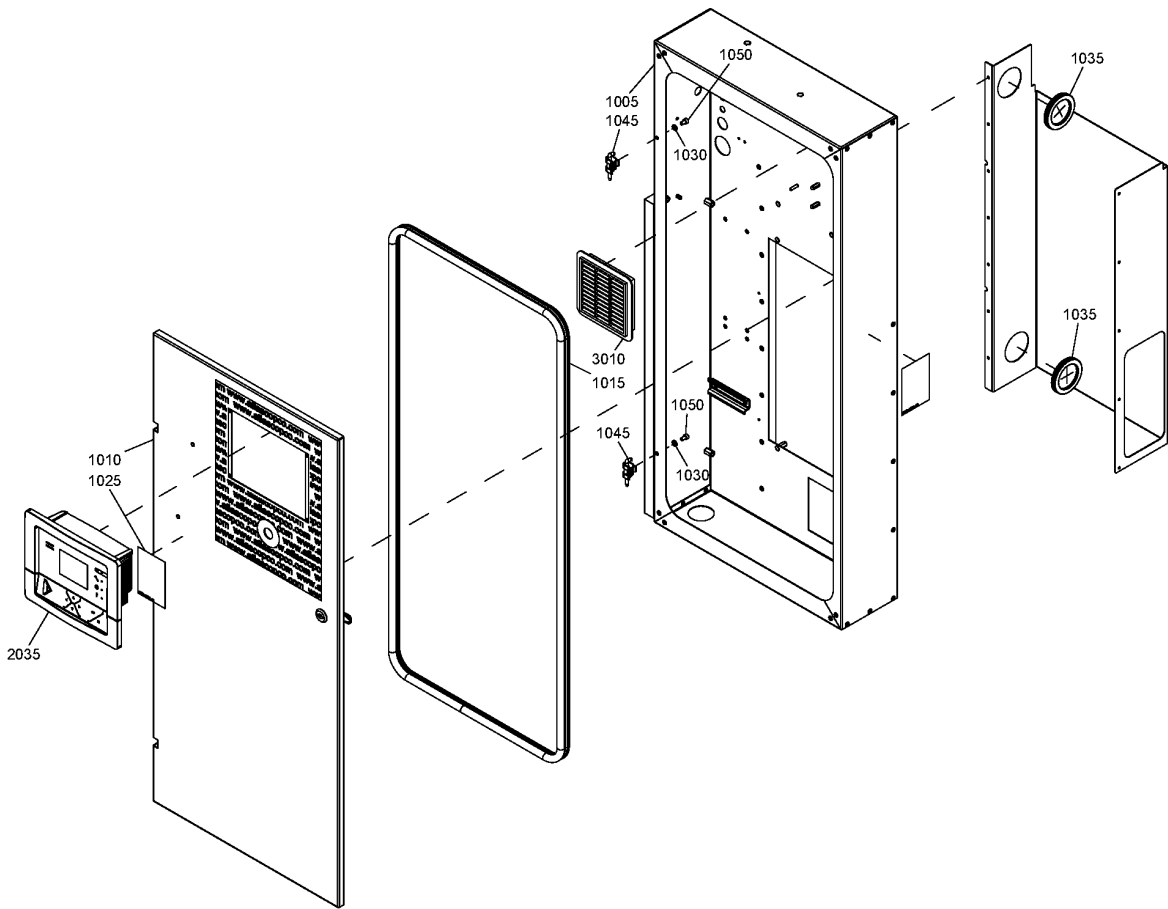
MODEL:GA30VP\_13 , MODEL:GA37VP\_13

Ref	Part Number	Qty	Name	Validity
1005	1625 4704 00	1	CUBICLE BOX	(14/06/2013 - 30/11/2014)
1025	1202 6584 02	1	SEAL	(02/07/2013 - 09/10/2013)
1025	1202 6584 02	32	SEAL	(10/10/2013 - 30/11/2014)
1030	1079 9903 48	1	WARNING LABEL	(02/07/2013 - 30/11/2014)
1040	0147 1243 03	2	HEXAGON BOLT	(02/07/2013 - 09/10/2013)
1040	0211 1243 03	2	SCREW	(10/10/2013 - 30/11/2014)
1050	1202 6400 00	2	HINGE	(02/07/2013 - 30/11/2014)
2010	1625 4705 80	1	CUBICLE DOOR	(14/06/2013 - 30/11/2014)
2020	• 1079 9931 11	1	DECAL	(02/07/2013 - 30/11/2014)
2025	• 1079 9931 46	1	DECAL WARNING	(02/07/2013 - 30/11/2014)
3035	1900 5200 13	1	ELEKTRONIKON MK5 GRAPHIC	(14/06/2013 - 30/11/2014)
4010	1089 9556 61	2	AIR FILTER	

**Legend:**

MODEL:GA30VP\_13 - Model:GA 30VSD+

MODEL:GA37VP\_13 - Model:GA 37VSD+



**18.8 - Cubicle box and Elektronikon GA 30 VSD+, GA 37 VSD+ (01/12/2014 - ...)**

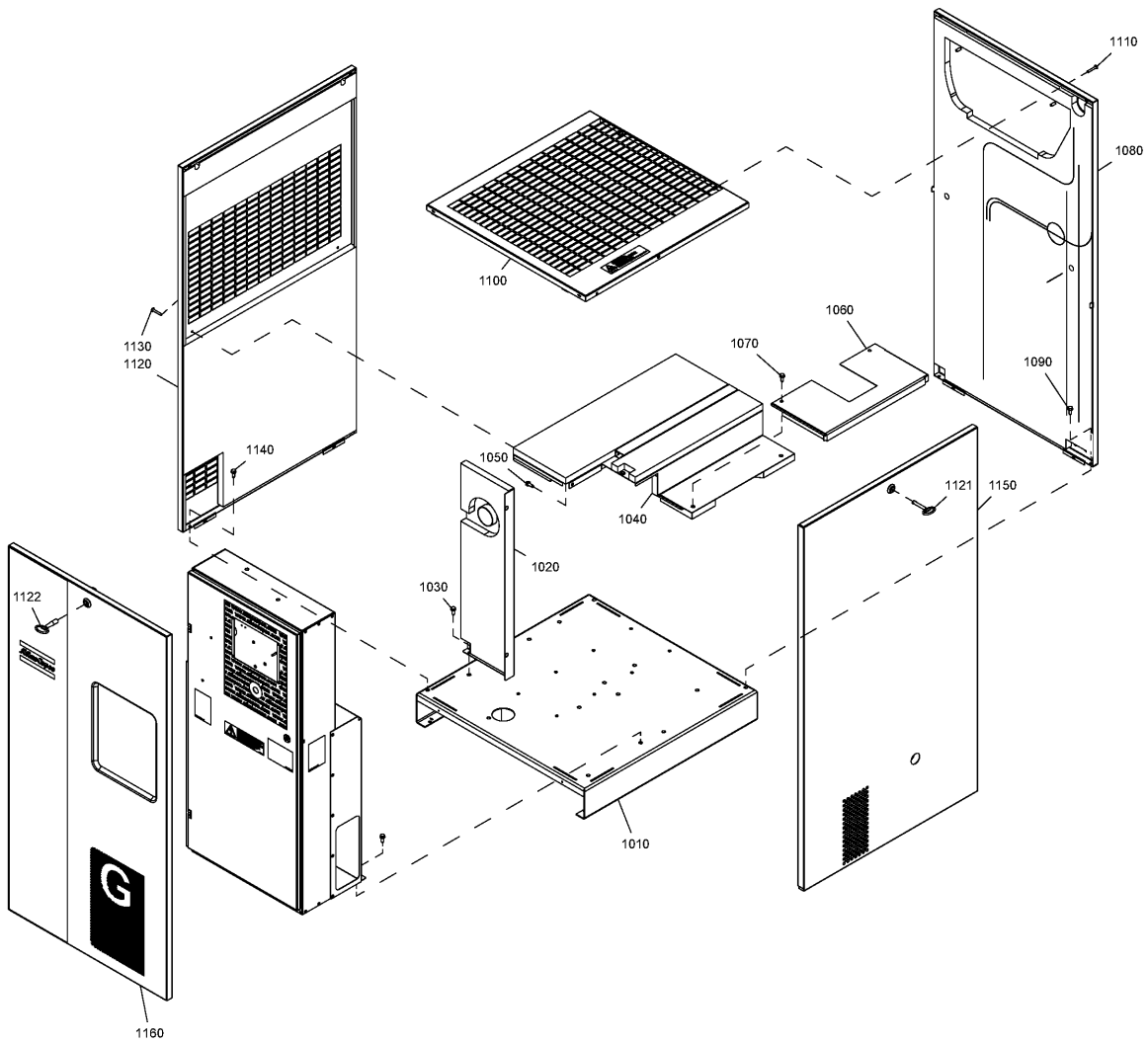
MODEL:GA30VP\_13 , MODEL:GA37VP\_13

Ref	Part Number	Qty	Name	Validity
1005	1625 4704 10	1	CUBICLE	
1010	1625 4705 80	1	DOOR	
	• 1613 8339 01	1	LOCK	
	• 1079 9931 11	1	DECAL	
	• 1079 9931 46	1	DECAL WARNING	
1015	1202 6584 02	AR	SEAL	
1025	1079 9903 48	1	DECAL	
1030	0301 2321 00	2	WASHER	
1035	1088 0803 27	2	GROMMET	
1045	1202 6400 00	2	HINGE	
1050	0211 1243 03	2	SCREW	
2035	1900 5200 13	1	GRAPHIC	(01/12/2014 - ...)
3010	1089 9556 61	1	AIR FILTER	

**Legend:**

MODEL:GA30VP\_13 - Model:GA 30VSD+

MODEL:GA37VP\_13 - Model:GA 37VSD+



# 19 - Bodywork Pack

(MOVOL:380V , MOVOL:400V , MOVOL:460V) + IDRY:N

Ref	Part Number	Qty	Name	Validity	R.
	0395 6001 62	1	FOAM		
	● Remarks:		10x2040x1650 self-adhesive		
	0395 6001 63	1	FOAM		
	● Remarks:		15x2040x1650 self-adhesive		
	0395 6001 64	1	FOAM		
	● Remarks:		20x2040x1650 self-adhesive		
	<del>0395 6001 66</del>	1	FOAM		
	🔄 Substituted by:		2900 2060 25 - FOAM ADHESIVE 204X82,5X25 (quantity: 2)		
	● Remarks:		25x2040x1650 self-adhesive		
	0395 6001 67	1	FOAM		
	● Remarks:		30x2040x1650 self-adhesive		
	0395 6001 68	1	FOAM		
	● Remarks:		40x2040x1650 self-adhesive		
	0395 6001 69	1	FOAM		
	● Remarks:		50x2040x1650 self-adhesive		
	0395 6001 70	1	FOAM		
	● Remarks:		60x2040x1650 self-adhesive		
1010	1625 4706 80	1	FRAME	(17/09/2014 - ...)	
1020	1625 4814 80	1	PANEL	(20/02/2013 - ...)	
1030	0147 1963 08	3	HEXAGON BOLT	(20/02/2013 - ...)	
1040	1625 4721 80	1	PLATE COVER	(20/02/2013 - ...)	
1050	0147 1963 08	1	HEXAGON BOLT	(20/02/2013 - ...)	
1060	1625 4749 80	1	BAFFLE	(20/02/2013 - ...)	
	● 1619 2758 00	AR	SEAL GASKET		
1070	0147 1963 08	2	HEXAGON BOLT	(20/02/2013 - ...)	
1080	1625 4707 80	1	PANEL	(20/02/2013 - 13/08/2014)	
	● 1079 9915 89	1	LABEL		
	● 1079 9915 98	1	LABEL		
1080	1625 4707 81	1	PANEL	(14/08/2014 - ...)	
	● 1079 9915 98	1	LABEL		
	● 1079 9915 89	1	LABEL		
1090	0147 1963 08	2	HEXAGON BOLT	(20/02/2013 - ...)	
1100	1625 4716 80	1	ROOF	(20/02/2013 - ...)	
	● 1079 9931 44	1	DECAL		
1110	0215 0010 13	3	SCREW	(20/02/2013 - ...)	
1120	1625 4714 80	1	PANEL	(20/02/2013 - ...)	
	● 1079 9931 44	1	DECAL	(02/07/2013 - ...)	
1121	1089 9154 02	1	KEY	(06/06/2013 - ...)	
1122	1089 9068 01	1	KEY	(06/06/2013 - ...)	
1130	0215 0010 13	4	SCREW	(20/02/2013 - ...)	
1140	0147 1963 08	1	HEXAGON BOLT	(20/02/2013 - ...)	
1150	1625 4742 80	1	PANEL	(20/02/2013 - ...)	
	● 1622 7673 00	1	LOCK		
1160	1625 4740 80	1	PANEL	(20/02/2013 - ...)	
	● 1622 7673 00	1	LOCK		
	● 0690 1116 01	1	LABEL		

### Legend:

IDRY:N - Integrated dryer:No  
MOVOL:460V - Supply voltage:460 V

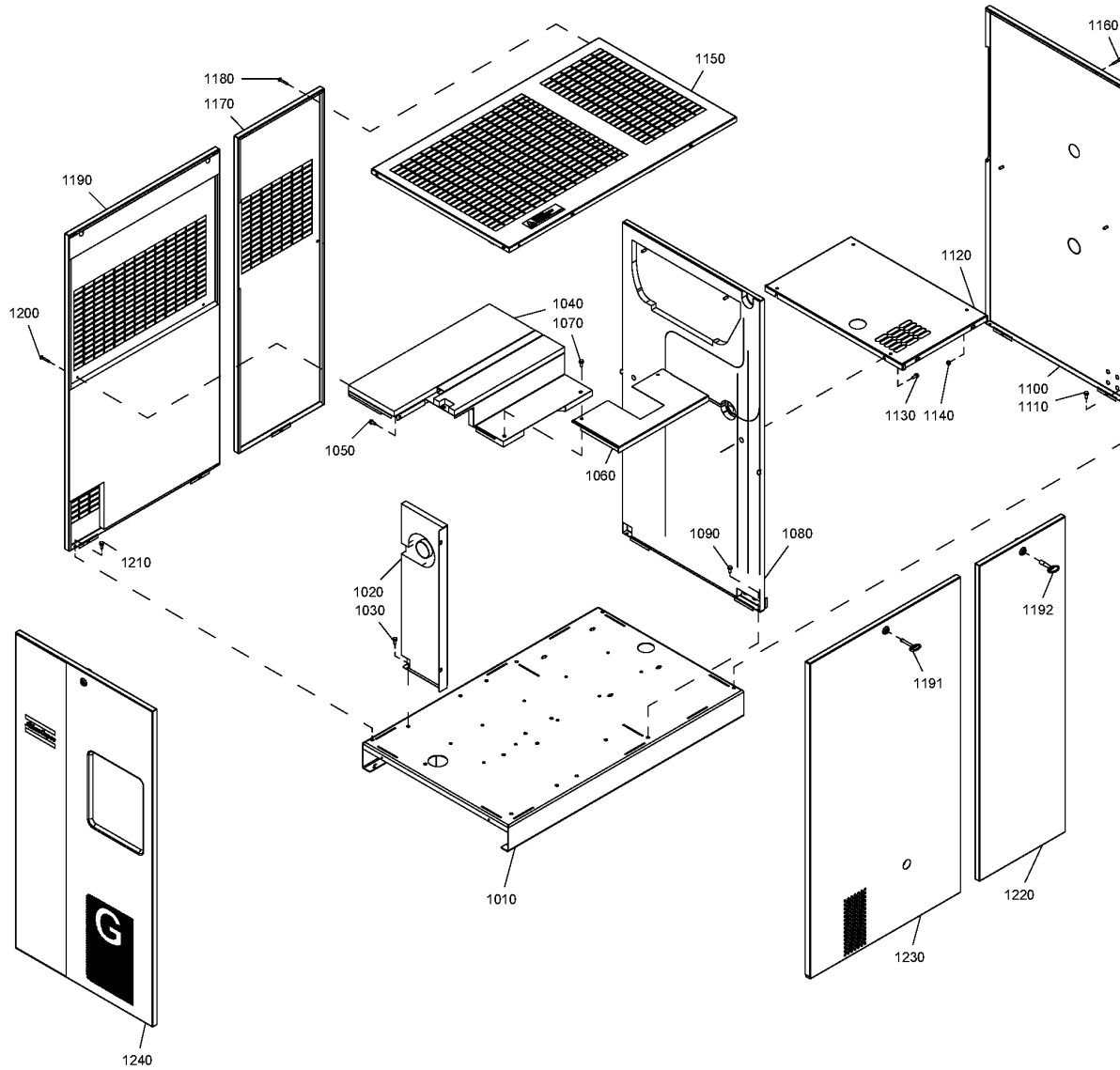
MOVOL:380V - Supply voltage:380 V

MOVOL:400V - Supply voltage:400 V



## 20 - Bodywork Full Feature/ Pack Trafo

(MOVOL:380V , MOVOL:400V , MOVOL:400VN , MOVOL:460V) + IDRY:Y , MOVOL:200V , MOVOL:230V , MOVOL:500V , MOVOL:575V



## 20 - Bodywork Full Feature/ Pack Trafo

(MOVOL:380V , MOVOL:400V , MOVOL:400VN , MOVOL:460V) + IDRY:Y , MOVOL:200V , MOVOL:230V , MOVOL:500V , MOVOL:575V

Ref	Part Number	Qty	Name	Validity	R.
	0395 6001 62	1	FOAM		
	● Remarks:		10x2040x1650 self-adhesive		
	0395 6001 63	1	FOAM		
	● Remarks:		15x2040x1650 self-adhesive		
	0395 6001 64	1	FOAM		
	● Remarks:		20x2040x1650 self-adhesive		
	<del>0395 6001 66</del>	1	FOAM		
	🔄 Substituted by:		2900 2060 25 - FOAM ADHESIVE 204X82,5X25 (quantity: 2)		
	● Remarks:		25x2040x1650 self-adhesive		
	0395 6001 67	1	FOAM		
	● Remarks:		30x2040x1650 self-adhesive		
	0395 6001 68	1	FOAM		
	● Remarks:		40x2040x1650 self-adhesive		
	0395 6001 69	1	FOAM		
	● Remarks:		50x2040x1650 self-adhesive		
	0395 6001 70	1	FOAM		
	● Remarks:		60x2040x1650 self-adhesive		
1010	1625 4780 80	1	FRAME SET	(20/02/2013 - 18/12/2014)	
1010	1625 4780 81	1	FRAME FF	(19/12/2014 - ...)	
1020	1625 4814 80	1	PANEL	(20/02/2013 - ...)	
1030	0147 1963 08	3	HEXAGON BOLT	(20/02/2013 - ...)	
1040	1625 4721 80	1	PLATE COVER	(20/02/2013 - ...)	
1050	0147 1963 08	1	HEXAGON BOLT	(20/02/2013 - ...)	
1060	1625 4749 80	1	BAFFLE	(20/02/2013 - ...)	
	● 1619 2758 00	AR	SEAL GASKET		
1070	0147 1963 08	2	HEXAGON BOLT	(20/02/2013 - ...)	
1080	1625 4781 81	1	PANEL	(14/08/2014 - ...)	
	● 0698 0150 00	2	GROMMET		
	● 1088 0803 27	1	GROMMET		
1090	0147 1963 08	2	HEXAGON BOLT	(20/02/2013 - ...)	
1100	1625 4791 80	1	PANEL	(20/02/2013 - 13/08/2014)	
	● 1079 9915 89	1	LABEL		
	● 1079 9915 98	1	LABEL	(13/05/2013 - 13/08/2014)	
1100	1625 4791 81	1	PANEL	(14/08/2014 - ...)	
	● 1079 9915 98	1	LABEL		
	● 1079 9915 89	1	LABEL		
1110	0147 1963 08	2	HEXAGON BOLT	(20/02/2013 - ...)	
1120	1625 4792 00	1	SUPPORT	(20/02/2013 - ...)	
	● 1619 3843 01	AR	SEAL	(02/07/2013 - ...)	
1130	0147 1963 08	2	HEXAGON BOLT	(20/02/2013 - ...)	
1140	0291 1110 00	2	LOCK NUT	(20/02/2013 - ...)	
1150	1625 4787 80	1	ROOF	(20/02/2013 - ...)	
	● 1079 9931 44	1	DECAL		
1160	0215 0010 13	3	SCREW	(20/02/2013 - ...)	
1170	1625 4785 00	1	PANEL	(20/02/2013 - ...)	
1180	0215 0010 13	3	SCREW	(20/02/2013 - ...)	
1190	1625 4714 80	1	PANEL	(20/02/2013 - ...)	
	● 1079 9931 44	1	DECAL	(02/07/2013 - ...)	
1191	1089 9154 02	1	KEY	(06/06/2013 - ...)	
1192	1089 9068 01	1	KEY	(06/06/2013 - ...)	
1200	0215 0010 13	4	SCREW	(20/02/2013 - ...)	
1210	0147 1963 08	1	HEXAGON BOLT	(20/02/2013 - ...)	

### Legend:

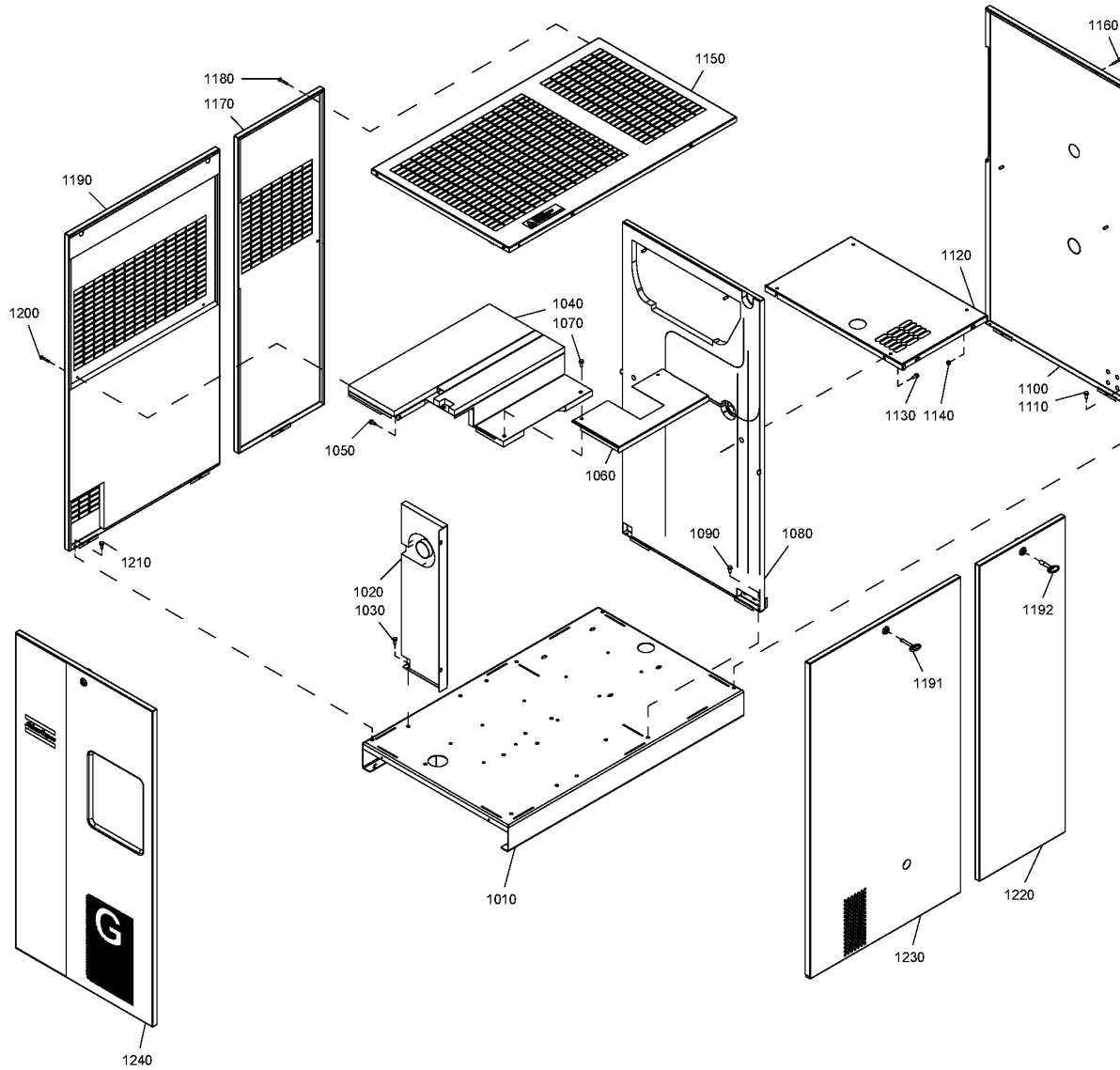
IDRY:Y - Integrated dryer:Yes  
 MOVOL:380V - Supply voltage:380 V  
 MOVOL:460V - Supply voltage:460 V

MOVOL:200V - Supply voltage:200 V  
 MOVOL:400V - Supply voltage:400 V  
 MOVOL:500V - Supply voltage:500 V

MOVOL:230V - Supply voltage:230 V  
 MOVOL:400VN - Supply voltage:400 V+N  
 MOVOL:575V - Supply voltage:575 V

## 20 - Bodywork Full Feature/ Pack Trafo

(MOVOL:380V , MOVOL:400V , MOVOL:400VN , MOVOL:460V) + IDRY:Y , MOVOL:200V , MOVOL:230V , MOVOL:500V , MOVOL:575V



## 20 - Bodywork Full Feature/ Pack Trafo

(MOVOL:380V , MOVOL:400V , MOVOL:400VN , MOVOL:460V) + IDRY:Y , MOVOL:200V , MOVOL:230V , MOVOL:500V , MOVOL:575V

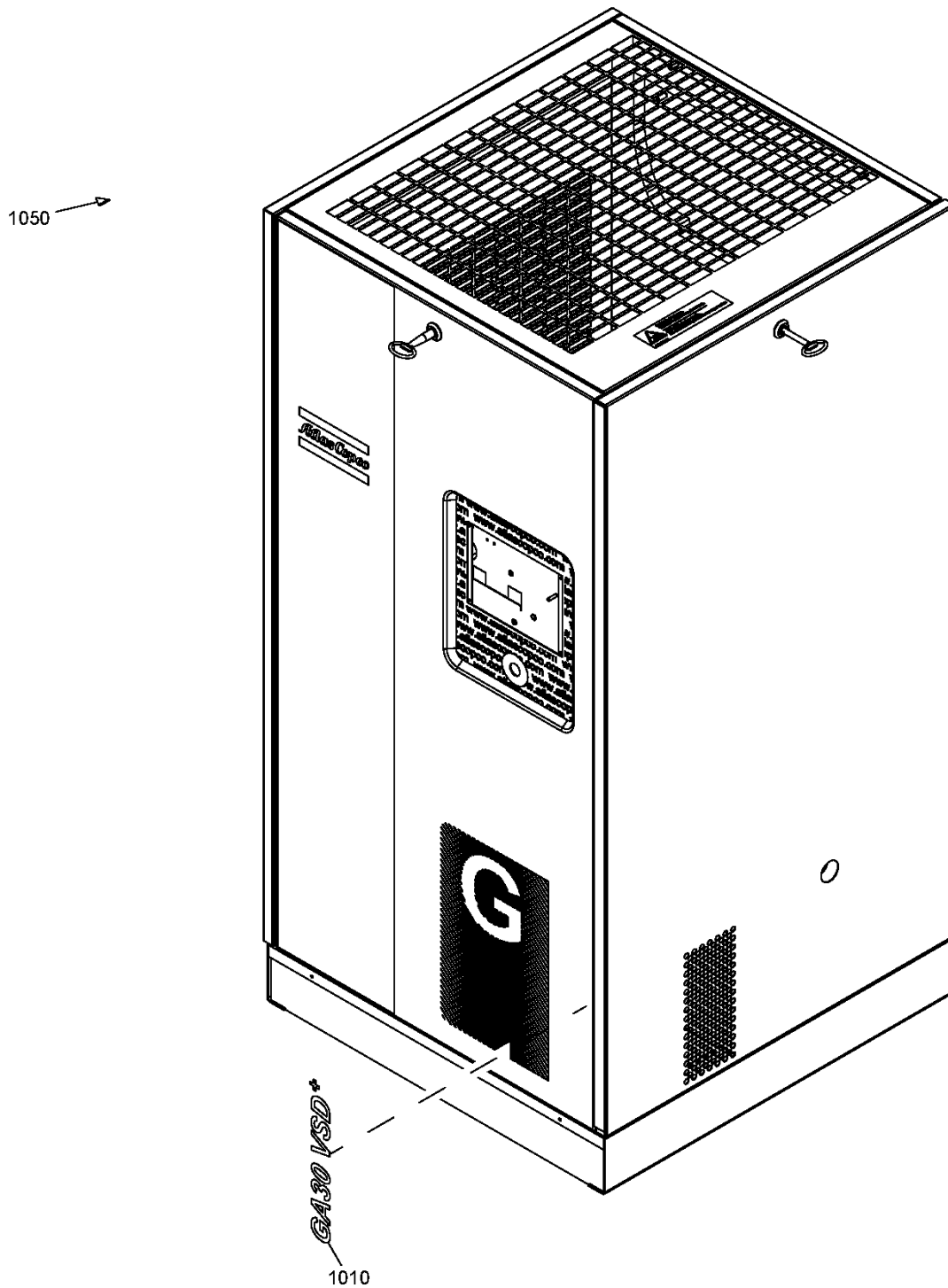
Ref	Part Number	Qty	Name	Validity	R.
1220	1625 4783 80	1	PANEL	(20/02/2013 - ...)	
	• 1622 7673 00	1	LOCK		
1230	1625 4742 80	1	PANEL	(20/02/2013 - ...)	
	• 1622 7673 00	1	LOCK		
1240	1625 4740 80	1	PANEL	(20/02/2013 - ...)	
	• 1622 7673 00	1	LOCK		
	• 0690 1116 01	1	LABEL		

### Legend:

IDRY:Y - Integrated dryer:Yes  
MOVOL:380V - Supply voltage:380 V  
MOVOL:460V - Supply voltage:460 V

MOVOL:200V - Supply voltage:200 V  
MOVOL:400V - Supply voltage:400 V  
MOVOL:500V - Supply voltage:500 V

MOVOL:230V - Supply voltage:230 V  
MOVOL:400VN - Supply voltage:400 V+N  
MOVOL:575V - Supply voltage:575 V



## 21 - Markings Pack

IDRY:N

Atlas Copco

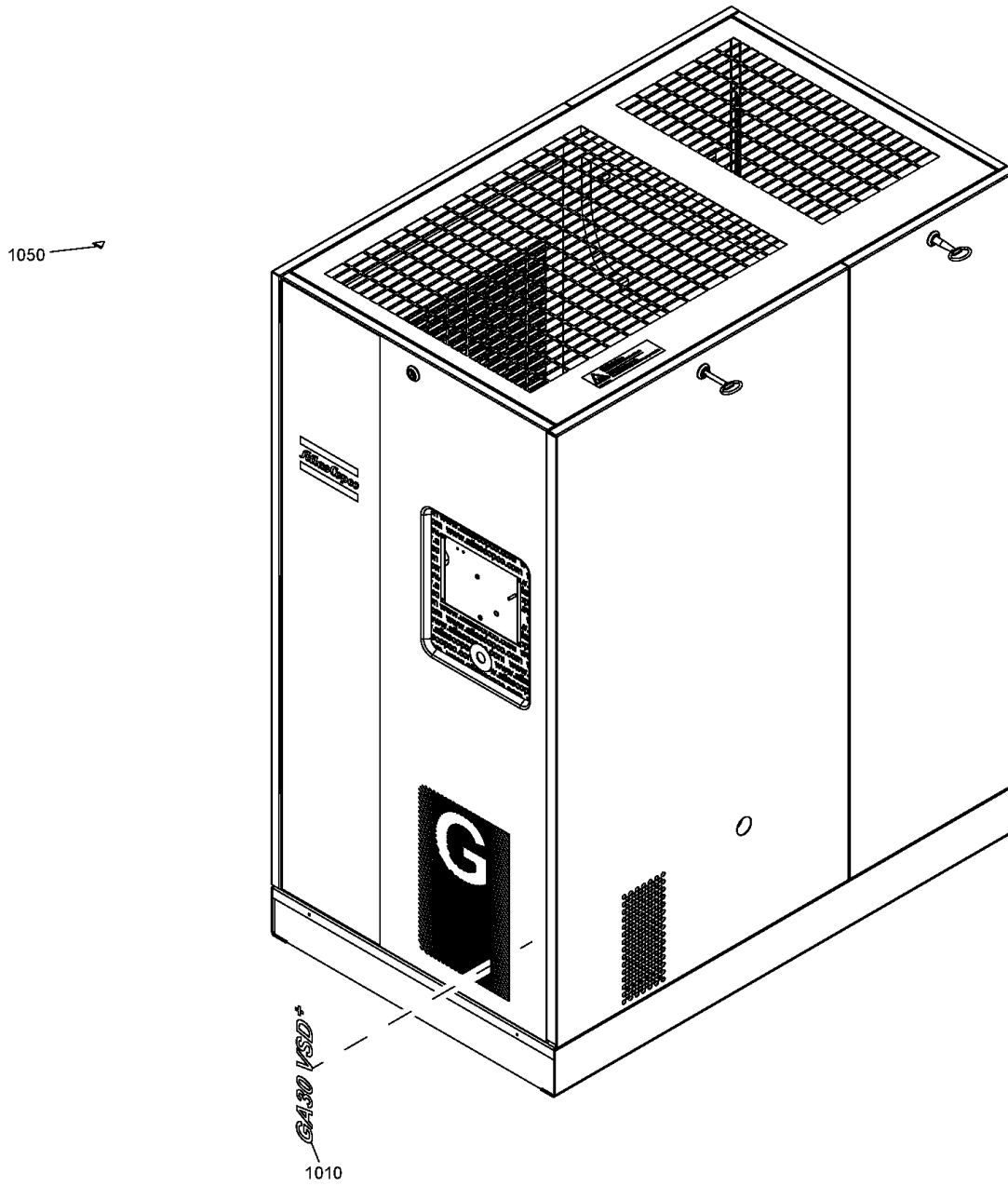
Ref	Part Number	Qty	Name	Validity
1010	1625 4214 18	1	DECAL UNIT	(20/02/2013 - ...) MODEL:GA18VP_13
1010	1625 4214 19	1	DECAL UNIT	(20/02/2013 - ...) MODEL:GA22VP_13
1010	1625 4214 20	1	DECAL UNIT	(20/02/2013 - ...) MODEL:GA26VP_13
1010	1625 4214 21	1	DECAL UNIT	(20/02/2013 - ...) MODEL:GA30VP_13
1010	1625 4214 29	1	DECAL UNIT	(06/06/2013 - ...) MODEL:GA37VP_13
1050	1088 1001 01	2	WARNING MARK	(06/06/2013 - ...)

### Legend:

IDRY:N - Integrated dryer:No  
MODEL:GA26VP\_13 - Model:GA 26VSD+

MODEL:GA18VP\_13 - Model:GA 18VSD+  
MODEL:GA30VP\_13 - Model:GA 30VSD+

MODEL:GA22VP\_13 - Model:GA 22VSD+  
MODEL:GA37VP\_13 - Model:GA 37VSD+



## 22 - Markings Full Feature

IDRY:Y

Atlas Copco

Ref	Part Number	Qty	Name	Validity
1010	1625 4214 25	1	DECAL UNIT	(20/02/2013 - ...) MODEL:GA18VP_13
1010	1625 4214 26	1	DECAL UNIT	(20/02/2013 - ...) MODEL:GA22VP_13
1010	1625 4214 27	1	DECAL UNIT	(20/02/2013 - ...) MODEL:GA26VP_13
1010	1625 4214 28	1	DECAL UNIT	(20/02/2013 - ...) MODEL:GA30VP_13
1010	1625 4214 30	1	DECAL UNIT	(06/06/2013 - ...) MODEL:GA37VP_13
1050	1088 1001 01	2	WARNING MARK	(06/06/2013 - ...)

### Legend:

IDRY:Y - Integrated dryer:Yes

MODEL:GA26VP\_13 - Model:GA 26VSD+

MODEL:GA18VP\_13 - Model:GA 18VSD+

MODEL:GA30VP\_13 - Model:GA 30VSD+

MODEL:GA22VP\_13 - Model:GA 22VSD+

MODEL:GA37VP\_13 - Model:GA 37VSD+



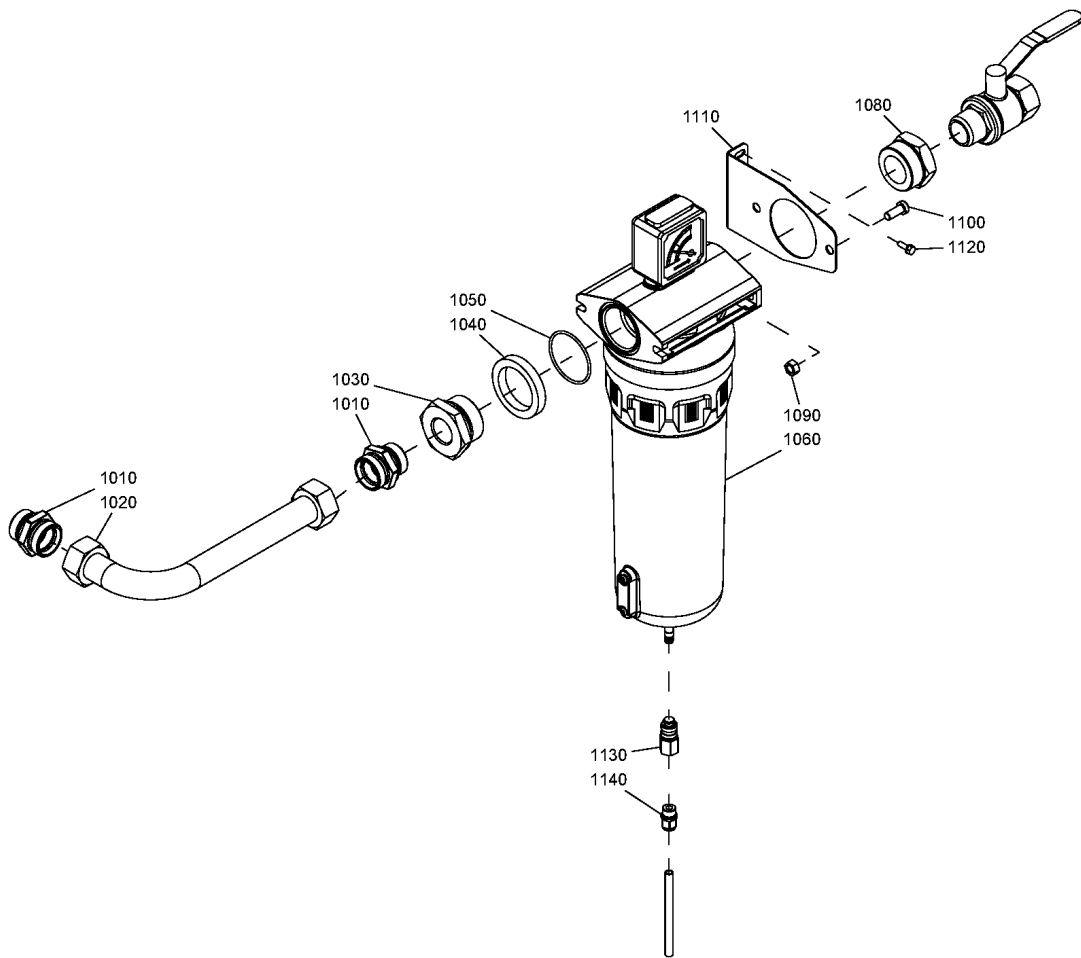
**23.1 - DD+/PD+ filters (18/12/2014 - 01/11/2015)**

IDRY:Y

Ref	Part Number	Qty	Name	Validity
	8092 3731 10	1	STANDARD OPTION - DD+/PD+ FILTERS	
<b>1010</b>	0580 0017 37	2	FITTING PIPE	(18/12/2014 - 13/10/2015)
<b>1020</b>	1625 4821 10	1	PIPE	(18/12/2014 - 13/10/2015)
<b>1030</b>	0605 8701 51	1	BUSHING	(18/12/2014 - 13/10/2015)
<b>1040</b>	1625 4259 25	1	PLAIN WASHER	(18/12/2014 - 13/10/2015)
<b>1050</b>	0663 2104 75	2	O-RING	(18/12/2014 - 13/10/2015)
<b>1060</b>		1	DD+ FILTER	(18/12/2014 - 13/10/2015)
<b>1070</b>		1	PD+ FILTER	(18/12/2014 - 13/10/2015)
<b>1080</b>	0605 8300 65	1	BUSHING	(18/12/2014 - 05/02/2015)
<b>1080</b>	0605 8527 03	1	BUSHING	(06/02/2015 - 13/10/2015)
<b>1090</b>	0266 2110 00	4	NUT	(18/12/2014 - 13/10/2015)
<b>1100</b>	0215 0003 73	4	HEXAGON SOCKET SCREW	(18/12/2014 - 13/10/2015)
<b>1110</b>	1625 4244 25	1	SUPPORT	(18/12/2014 - 13/10/2015)
<b>1120</b>	1079 2263 02	2	SCREW	(18/12/2014 - 13/10/2015)
<b>1130</b>	1617 7082 02	2	COUPLING	(18/12/2014 - 13/10/2015)
<b>1140</b>	0583 8100 69	2	FITTING PIPE	(18/12/2014 - 13/10/2015)

**Legend:**

IDRY:Y - Integrated dryer:Yes



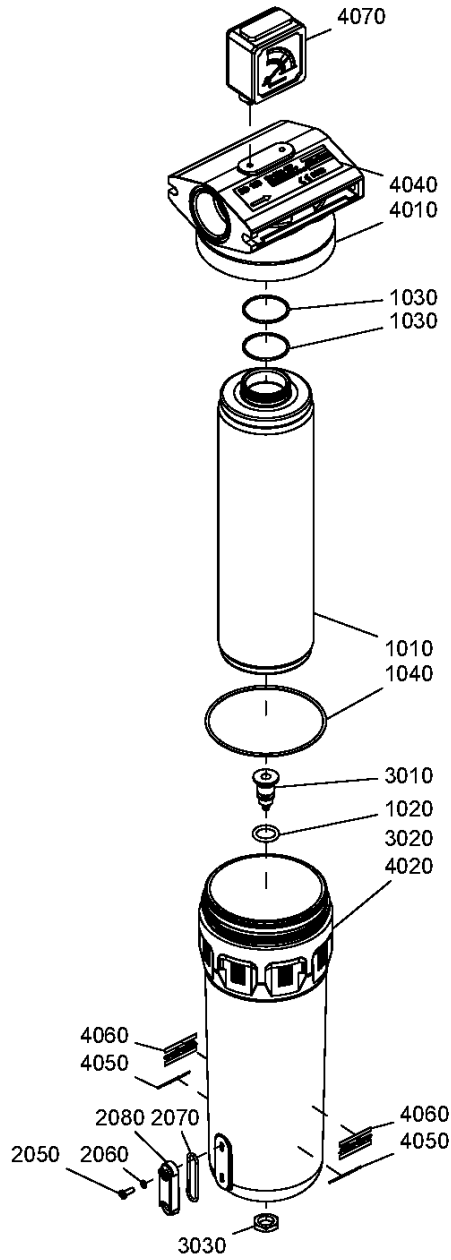
**23.2 - DD+ filter**

IDRY:Y

Ref	Part Number	Qty	Name	Validity
	8092 3731 28	1	STANDARD OPTION - DD+ FILTER	
<b>1010</b>	0580 0017 37	2	FITTING PIPE	(18/12/2014 - ...)
<b>1020</b>	1625 4821 15	1	PIPE	(18/12/2014 - ...)
<b>1030</b>	0605 8701 51	1	BUSHING	(18/12/2014 - ...)
<b>1040</b>	1625 4259 25	1	PLAIN WASHER	(18/12/2014 - ...)
<b>1050</b>	0663 2104 75	1	O-RING	(18/12/2014 - ...)
<b>1060</b>		1	DD+ FILTER	(18/12/2014 - ...)
<b>1080</b>	0605 8300 65	1	BUSHING	(18/12/2014 - 05/02/2015)
<b>1080</b>	0605 8527 03	1	BUSHING	(06/02/2015 - ...)
<b>1090</b>	0266 2110 00	2	NUT	(18/12/2014 - ...)
<b>1100</b>	0215 0003 73	2	HEXAGON SOCKET SCREW	(18/12/2014 - ...)
<b>1110</b>	1625 4244 25	1	SUPPORT	(18/12/2014 - ...)
<b>1120</b>	1079 2263 02	2	SCREW	(18/12/2014 - ...)
<b>1130</b>	1617 7082 02	1	COUPLING	(18/12/2014 - ...)
<b>1140</b>	0583 8100 69	1	FITTING PIPE	(18/12/2014 - ...)

**Legend:**

IDRY:Y - Integrated dryer:Yes



## 23.3 - DD+/PD+ filter - Parts

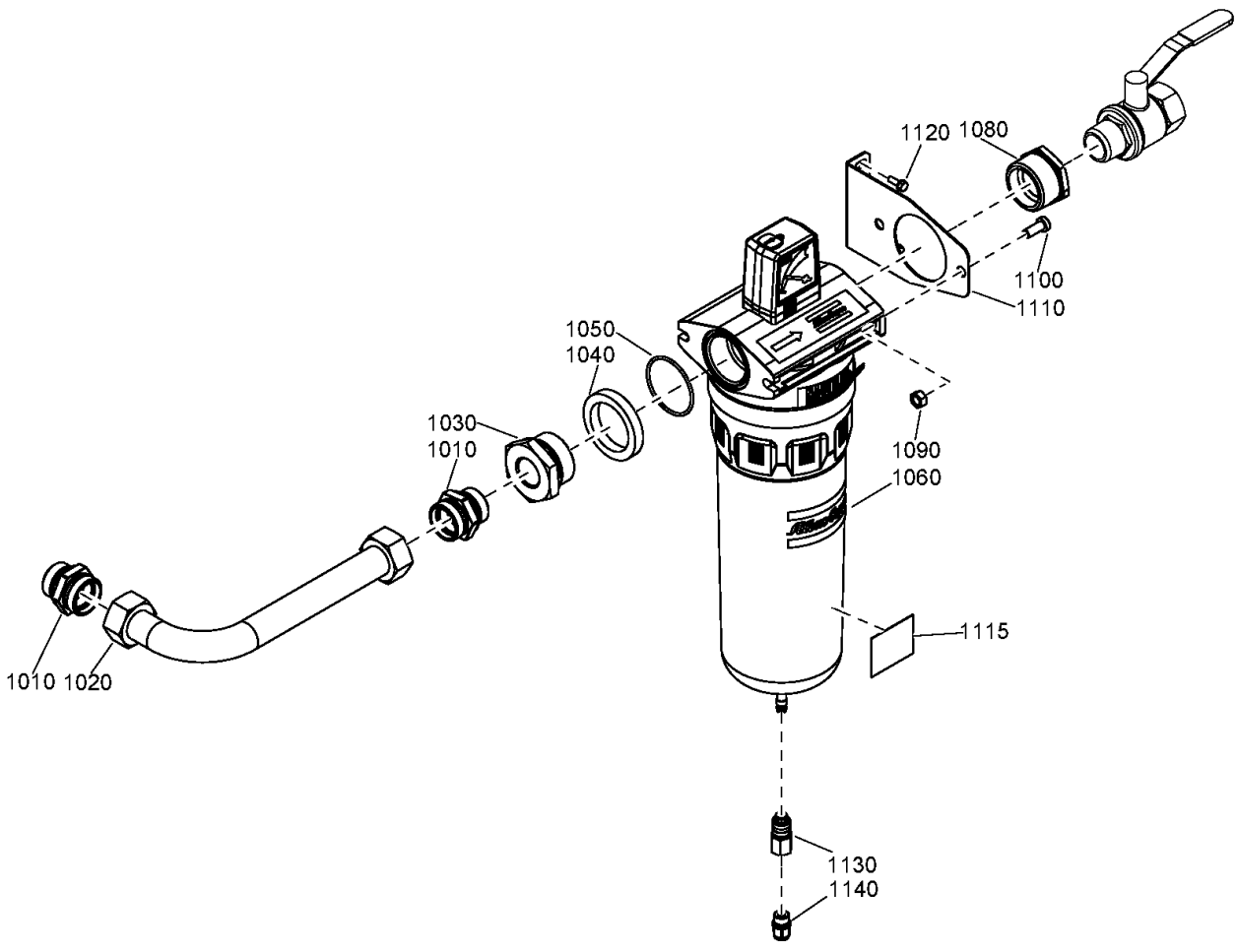
IDRY:Y

Ref	Part Number	Qty	Name	Validity
	8102 2602 08	1	DD 130+ FILTER	
	• 2901 2003 05	1	ELEMENT KIT	
<b>1010</b>	••	1	FILTER ELEMENT	
<b>1020</b>	•• 0663 2111 29	1	O-RING	
<b>1030</b>	•• 4090 0507 00	2	O-RING	
<b>1040</b>	•• 0663 2110 31	1	O-RING	
	• 2901 0562 00	1	SIGHT GLASS KIT	
<b>2050</b>	••	1	SCREW	
<b>2060</b>	••	2	SEAL WASHER	
<b>2070</b>	•• 0663 9095 00	2	O-RING	
	• 290156300	1	DRAIN VALVE KIT	
<b>3010</b>	••	1	DRAIN VALVE	
<b>3020</b>	•• 0663 2111 29	1	O-RING	
<b>3030</b>	•• 1617 7046 00	1	NUT	
<b>4010</b>	•	1	HEAD	
<b>4020</b>	•	1	BOWL	
<b>4040</b>	• 1624 1892 04	1	LABEL	
<b>4050</b>	• 1079 9926 36	2	LABEL	
<b>4060</b>	• 0690 1101 23	5	HOUSE MARK	
<b>5010</b>	• 1617 7082 01	1	MALE COUPLING	
<b>5020</b>	• 1617 7082 02	1	FEMALE COUPLING	
<b>5030</b>	• 1617 7082 03	1	HOSE CONNECTION	
	8102 2602 16	1	PD 130+ FILTER	
	• 2901 2004 05	1	ELEMENT KIT	
<b>1010</b>	••	1	FILTER ELEMENT	
<b>1020</b>	•• 0663 2111 29	1	O-RING	
<b>1030</b>	•• 4090 0507 00	2	O-RING	
<b>1040</b>	•• 0663 2110 31	1	O-RING	
	• 2901 0562 00	1	SIGHT GLASS KIT	
<b>2050</b>	••	1	SCREW	
<b>2060</b>	••	2	SEAL WASHER	
<b>2070</b>	•• 0663 9095 00	2	O-RING	
	• 290156300	1	DRAIN VALVE KIT	
<b>3010</b>	••	1	DRAIN VALVE	
<b>3020</b>	•• 0663 2111 29	1	O-RING	
<b>3030</b>	•• 1617 7046 00	1	NUT	
<b>4010</b>	•	1	HEAD	
<b>4020</b>	•	1	BOWL	
<b>4040</b>	• 1624 1892 01	1	LABEL	
<b>4050</b>	• 1079 9926 36	2	LABEL	
<b>4060</b>	• 0690 1101 23	5	HOUSE MARK	
<b>5010</b>	• 1617 7082 01	1	MALE COUPLING	
<b>5020</b>	• 1617 7082 02	1	FEMALE COUPLING	
<b>5030</b>	• 1617 7082 03	1	HOSE CONNECTION	

**Legend:**

IDRY:Y - Integrated dryer:Yes





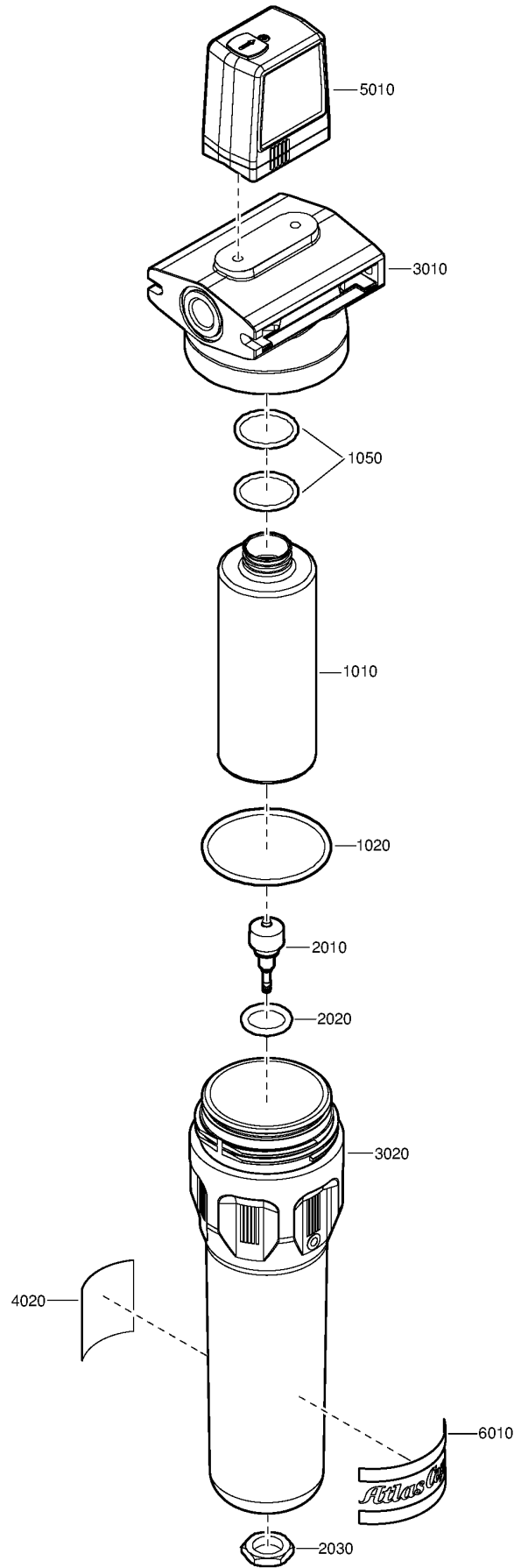
## 23.4 - UD+ filter

IDRY:Y

Ref	Part Number	Qty	Name	Validity
	8092 3724 35	1	STANDARD OPTION - UD 140+ FILTER	(21/08/2015 - ...)
<b>1010</b>	0580 0017 37	2	FITTING PIPE	(21/08/2015 - ...)
<b>1020</b>	1625 4821 15	1	PIPE	(21/08/2015 - ...)
<b>1030</b>	0605 8701 51	1	BUSHING	(21/08/2015 - ...)
<b>1040</b>	1625 4259 25	1	WASHER	(21/08/2015 - ...)
<b>1050</b>	0663 2104 75	1	O-RING	(21/08/2015 - ...)
<b>1060</b>		1	FILTER	(21/08/2015 - ...)
<b>1080</b>	0605 8527 03	1	BUSHING	(21/08/2015 - ...)
<b>1090</b>	0266 2110 00	2	NUT	(21/08/2015 - ...)
<b>1100</b>	0215 0003 73	2	SCREW	(21/08/2015 - ...)
<b>1110</b>	1625 4244 25	1	SUPPORT	(21/08/2015 - ...)
<b>1115</b>	1625 2500 00	1	DECAL	(21/08/2015 - ...)
<b>1120</b>	1079 2263 02	2	SCREW	(21/08/2015 - ...)
<b>1130</b>	1617 7082 02	1	COUPLING	(21/08/2015 - ...)
<b>1140</b>	0583 8100 69	1	FITTING PIPE	(21/08/2015 - ...)

### Legend:

IDRY:Y - Integrated dryer:Yes



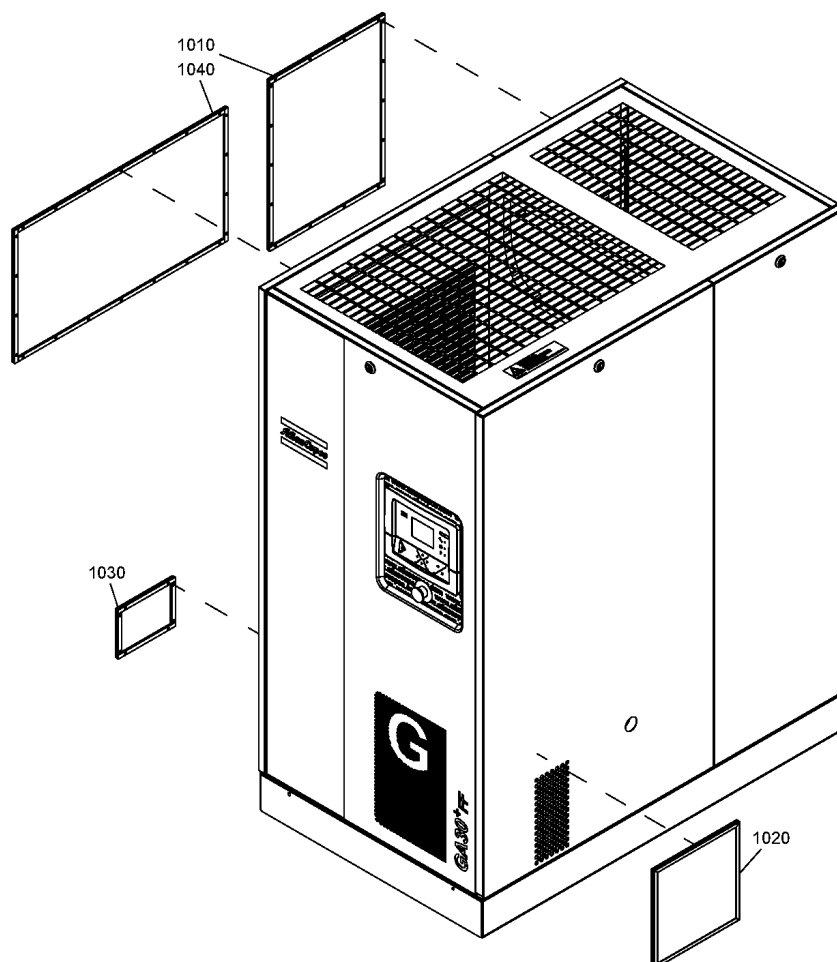
## 23.5 - UD+ filter - Parts

IDRY:Y

Ref	Part Number	Qty	Name	Validity
	8102 2977 21	1	FILTER UD 140+	(21/08/2015 - ...)
	• 2901 2072 06	1	ELEMENT KIT	
<b>1010</b>	••	1	FILTER ELEMENT	
<b>1020</b>	•• 0663 2110 31	2	O-RING	
<b>1050</b>	•• 0663 2109 65	2	O-RING	
	• 2901 0563 00	2	DRAIN VALVE KIT	
<b>2010</b>	••	1	DRAIN VALVE	
<b>2020</b>	•• 0663 2111 29	1	O-RING	
<b>2030</b>	••	1	NUT	
<b>3010</b>	•	1	HEAD	
<b>3020</b>	•	1	BOWL	
<b>4010</b>	• 1629 0267 00	1	DECAL HEAD	
<b>4020</b>	• 1629 0266 03	1	DECAL BOWL	
<b>5010</b>	• 1629 0298 04	1	DIFFERENTIAL PRESSURE INDICATOR	
<b>6010</b>	• 0690 1104 01	1	HOUSE MARK	

### Legend:

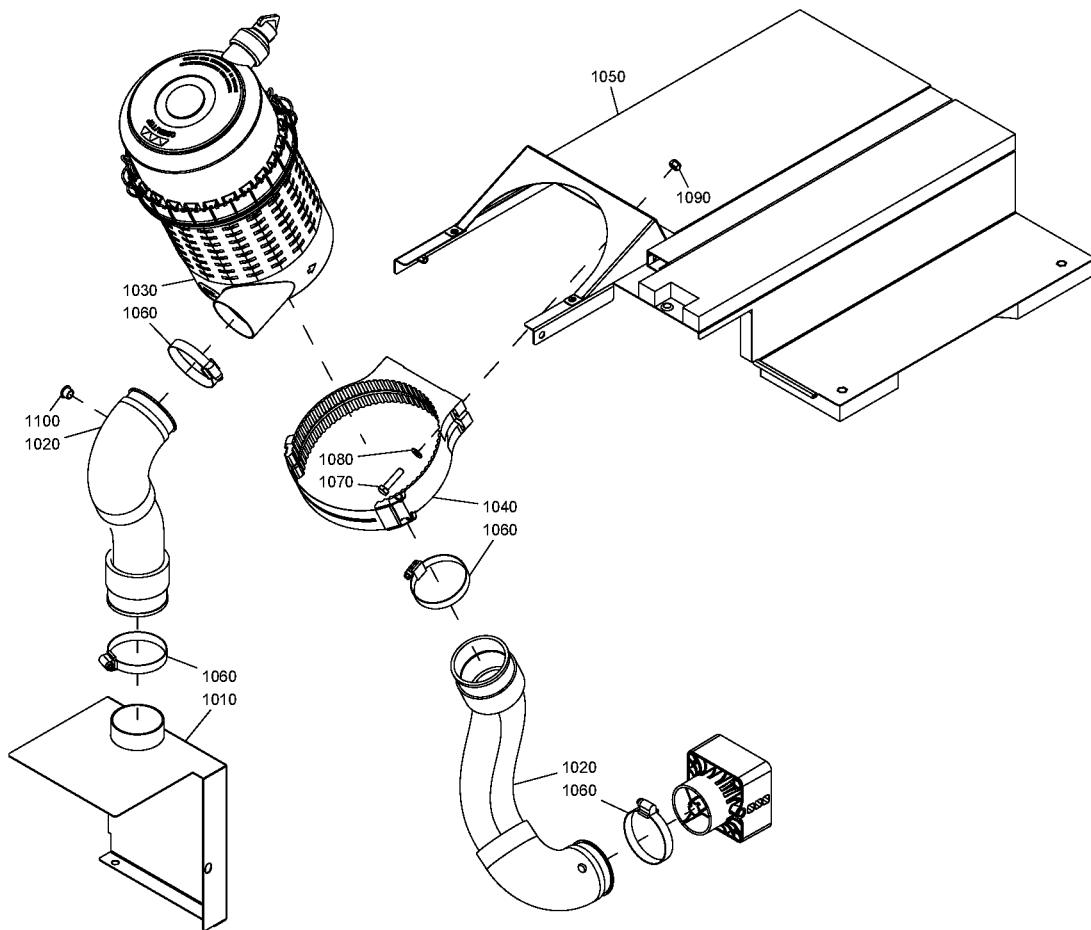
IDRY:Y - Integrated dryer:Yes



Ref	Part Number	Qty	Name	Validity
-		1	STANDARD OPTION - PRE-FILTER	
	8092 3731 51	1	PACK	
	8092 3731 69	1	FULL FEATURE	
<b>1010</b>	1625 4279 01	1	PRE-FILTER	(12/08/2014 - ...) IDRY:Y
<b>1020</b>	1625 4279 02	1	PRE-FILTER	(12/08/2014 - ...)
<b>1030</b>	1625 4279 03	1	PRE-FILTER	(12/08/2014 - ...)
<b>1040</b>	1625 4279 04	1	PRE-FILTER	(12/08/2014 - ...)

**Legend:**

IDRY:Y - Integrated dryer:Yes

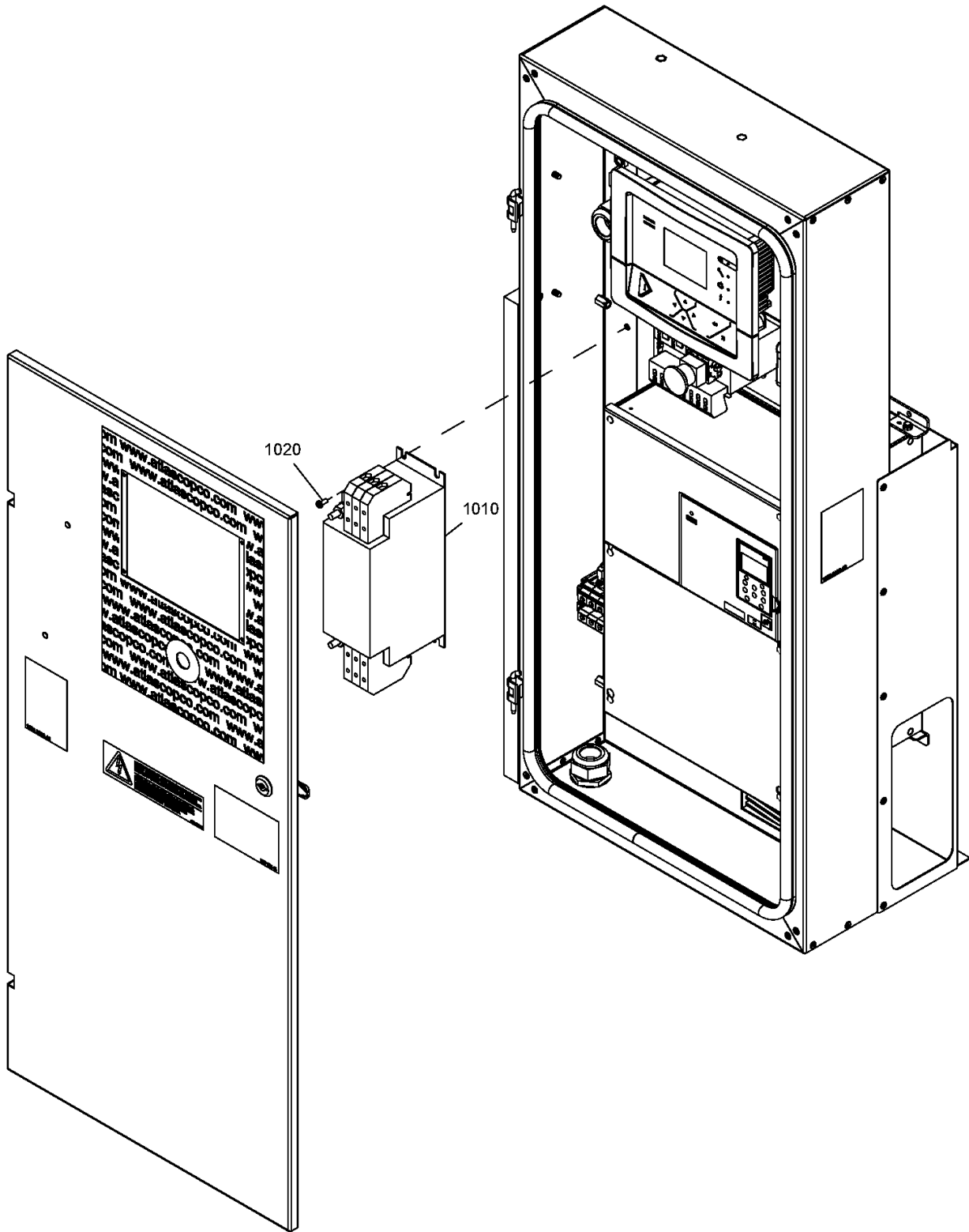


## 23.7 - Heavy duty filter

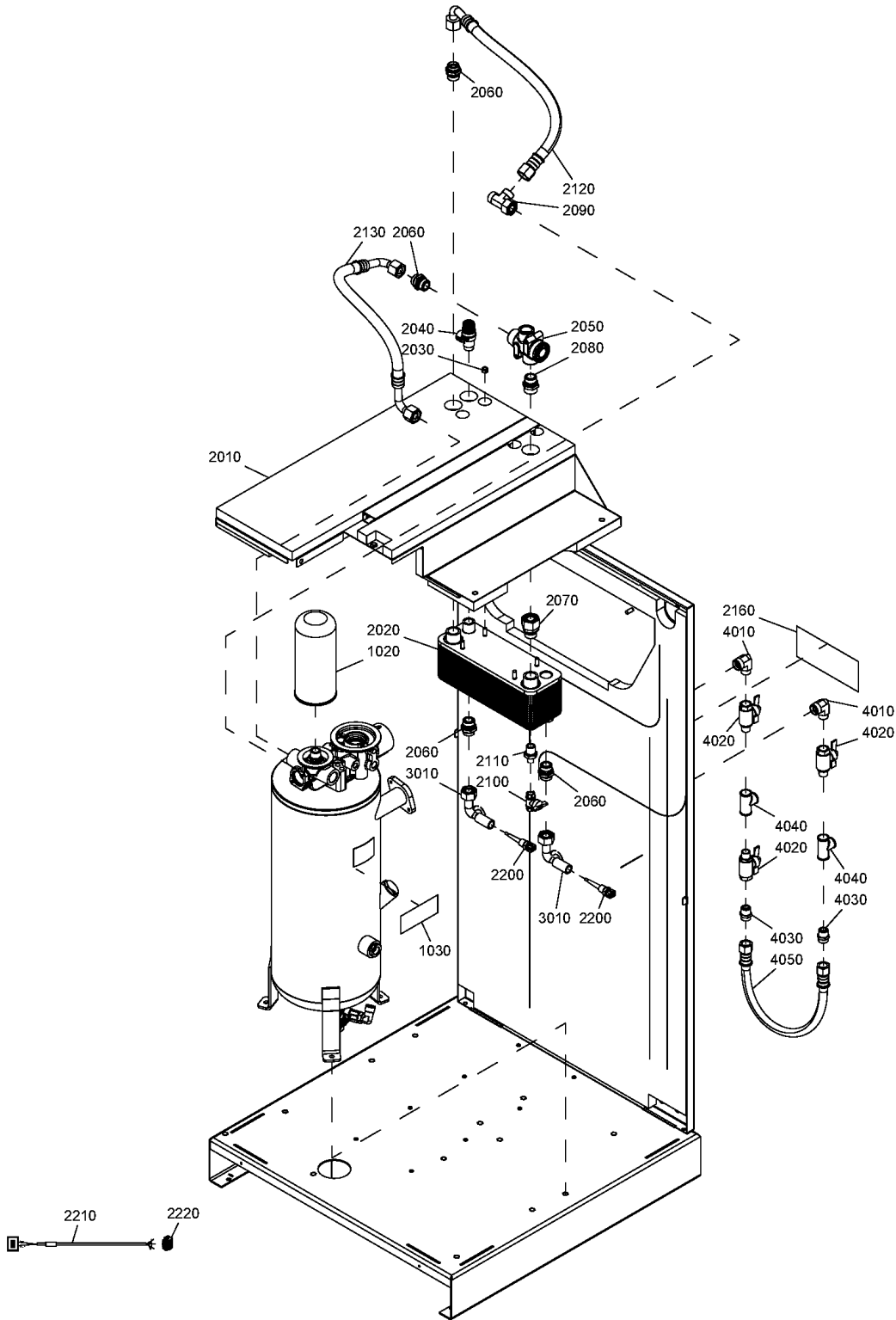
Ref	Part Number	Qty	Name	Validity	R.
	8092 3731 93	1	STANDARD OPTION - HEAVY DUTY INLET FILTER		
<b>1010</b>	1625 4823 80	1	COVER PLATE	(29/09/2014 - ...)	1)
<b>1020</b>	1625 4763 00	2	HOSE	(29/09/2014 - ...)	
<b>1030</b>	1615 7208 03	1	AIR FILTER	(29/09/2014 - ...)	
	• 2914 9304 00	1	AIR FILTER ELEMENT		
<b>1040</b>	1626 1777 00	1	SUPPORT	(29/09/2014 - ...)	
<b>1050</b>	1625 4823 10	1	DUCT	(29/09/2014 - ...)	
<b>1060</b>	0347 6114 00	1	HOSE CLIP	(29/09/2014 - ...)	
<b>1070</b>	0147 1327 03	2	SCREW	(29/09/2014 - ...)	
<b>1080</b>	0301 2335 00	2	PLAIN WASHER	(29/09/2014 - ...)	
<b>1090</b>	0291 1110 00	2	LOCK NUT	(29/09/2014 - ...)	
<b>1100</b>	<del>0686 9099 05</del>	1	PLUG	(29/09/2014 - ...)	
	↻ Substituted by:		0697 9810 32 - PLUG M12X1.5 (quantity: 1)		

### Remarks:

Note : 1) Lined with Foam : 0395 6001 66(AR) 25x2040x1650



<b>Ref</b>	<b>Part Number</b>	<b>Qty</b>	<b>Name</b>	<b>Validity</b>
	8092 3731 85	1	STANDARD OPTION - IT ANCILLARIES	
<b>1010</b>	1089 9339 80	1	FILTER	
<b>1020</b>	0160 0996 79	4	CAP SCREW	



## 23.9 - Energy recovery Pack

IDRY:N

Atlas Copco

Ref	Part Number	Qty	Name	Validity	R.
-		1	STANDARD OPTION - ENERGY RECOVERY		
	8092 3726 74	AR	ROTO INJECT FLUID		
	8092 3726 58	AR	ROTO-XTEND DUTY FLUID		
1020	1625 7526 00	1	OIL FILTER	(14/08/2014 - ...)	
	↻ Substituted by: 2903 7526 00 - OIL FILTER SPARE 8000HRS (quantity: 1)				
1030	1079 9925 87	1	LABEL	(14/08/2014 - ...)	
2010	1625 4721 81	1	PANEL	(14/08/2014 - ...)	1)
2020	1625 7015 20	1	HEAT EXCHANGER	(14/08/2014 - ...)	
2030	0291 1185 30	4	LOCK NUT	(06/03/2015 - ...)	
2040	1625 2046 00	1	RELIEF VALVE	(14/08/2014 - ...)	
2050	1612 4230 00	1	THERMOSTAT	(14/08/2014 - ...)	
2060	0580 0017 36	5	FITTING PIPE	(06/03/2015 - ...)	
2070	0582 0000 64	1	FITTING PIPE	(14/08/2014 - ...)	
2080	0580 0017 21	1	FITTING PIPE	(14/08/2014 - ...)	
2090	0580 5100 68	1	FITTING PIPE	(14/08/2014 - ...)	
2100	0852 0010 36	1	BALL VALVE	(14/08/2014 - ...)	
2110	0603 5105 03	1	NIPPLE	(14/08/2014 - ...)	
2120	1625 4807 02	1	HOSE ASSEMBLY	(14/08/2014 - ...)	
2130	1625 4807 10	1	HOSE ASSEMBLY	(14/08/2014 - ...)	
2160	1625 4280 00	1	DECAL	(14/08/2014 - ...)	
2200	1089 0574 70	2	TEMP. SENSOR	(19/02/2015 - ...)	
2210	1622 0663 03	2	CABLE	(19/02/2015 - ...)	
2220	1088 0037 80	1	CONNECTOR	(19/02/2015 - ...)	
3010	1625 4248 56	2	PIPE	(19/02/2015 - ...)	
4010	0580 2014 38	2	FITTING PIPE	(14/08/2014 - ...)	
4020	0852 0010 26	3	DRAIN VALVE	(14/08/2014 - ...)	
4030	0580 0018 41	2	FITTING PIPE	(14/08/2014 - ...)	
4040	0564 0000 25	2	TEE	(14/08/2014 - ...)	
4050	1625 4238 24	1	HOSE ASSEMBLY	(14/08/2014 - ...)	

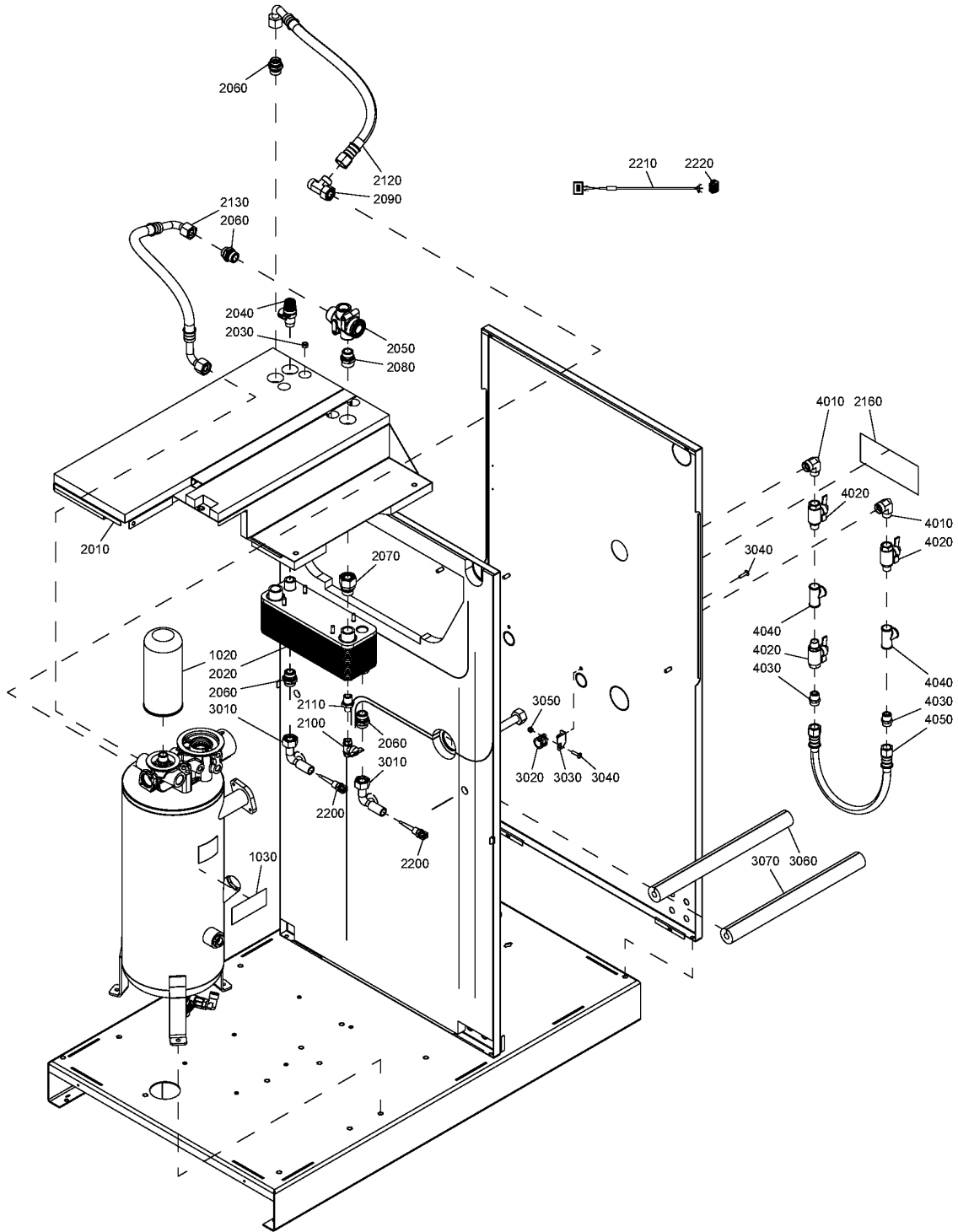
### Remarks:

Note : 1) Lined with : Foam : 0395600166(AR) 25x2040x1650

### Legend:

IDRY:N - Integrated dryer:No





## 23.10 - Energy recovery Full Feature

IDRY:Y

Ref	Part Number	Qty	Name	Validity	R.
-		1	STANDARD OPTION - ENERGY RECOVERY		
	8092 3726 82	AR	ROTO-INJECT FLUID		
	8092 3726 66	AR	ROTO-XTEND DUTY FLUID		
<b>1020</b>	<del>1625 7526 00</del>	1	OIL FILTER	(14/08/2014 - ...)	
	↻ Substituted by: 2903 7526 00 - OIL FILTER SPARE 8000HRS (quantity: 1)				
<b>1030</b>	1079 9925 87	1	LABEL	(14/08/2014 - ...)	
<b>2010</b>	1625 4721 81	1	PANEL	(14/08/2014 - ...)	1)
<b>2020</b>	1625 7015 20	1	HEAT EXCHANGER	(14/08/2014 - ...)	
<b>2030</b>	0291 1185 30	4	LOCK NUT	(06/03/2015 - ...)	
<b>2040</b>	1625 2046 00	1	RELIEF VALVE	(14/08/2014 - ...)	
<b>2050</b>	1612 4230 00	1	THERMOSTAT	(14/08/2014 - ...)	
<b>2060</b>	0580 0017 36	5	FITTING PIPE	(06/03/2015 - ...)	
<b>2070</b>	0582 0000 64	1	FITTING PIPE	(14/08/2014 - ...)	
<b>2080</b>	0580 0017 21	1	FITTING PIPE	(14/08/2014 - ...)	
<b>2090</b>	0580 5100 68	1	FITTING PIPE	(14/08/2014 - ...)	
<b>2100</b>	0852 0010 36	1	BALL VALVE	(14/08/2014 - ...)	
<b>2110</b>	0603 5105 03	1	HEXAGON NIPPLE	(14/08/2014 - ...)	
<b>2120</b>	1625 4807 02	1	HOSE ASSEMBLY	(14/08/2014 - ...)	
<b>2130</b>	1625 4807 10	1	HOSE ASSEMBLY	(14/08/2014 - ...)	
<b>2160</b>	1625 4280 00	1	DECAL	(14/08/2014 - ...)	
<b>2200</b>	1089 0574 70	2	TEMP. SENSOR	(19/02/2015 - ...)	
<b>2210</b>	1622 0663 03	2	CABLE	(19/02/2015 - ...)	
<b>2220</b>	1088 0037 80	1	CONNECTOR	(19/02/2015 - ...)	
<b>3010</b>	1625 4248 51	2	PIPE	(19/02/2015 - ...)	
<b>3020</b>	0346 1002 43	2	CLAMP	(14/08/2014 - ...)	
<b>3030</b>	1625 4243 11	2	BRACKET	(14/08/2014 - ...)	
<b>3040</b>	0215 0010 16	4	SCREW	(14/08/2014 - ...)	
<b>3050</b>	0291 1128 15	2	LOCK NUT	(14/08/2014 - ...)	
<b>3060</b>	0395 1010 57	AR	INSULATION	(14/08/2014 - ...)	
<b>3070</b>	0395 1010 57	AR	INSULATION	(14/08/2014 - ...)	
<b>4010</b>	0580 2014 38	2	FITTING PIPE	(14/08/2014 - ...)	
<b>4020</b>	0852 0010 26	3	DRAIN VALVE	(14/08/2014 - ...)	
<b>4030</b>	0580 0018 41	2	FITTING PIPE	(14/08/2014 - ...)	
<b>4040</b>	0564 0000 25	2	TEE	(14/08/2014 - ...)	
<b>4050</b>	1625 4238 24	1	HOSE ASSEMBLY	(14/08/2014 - ...)	

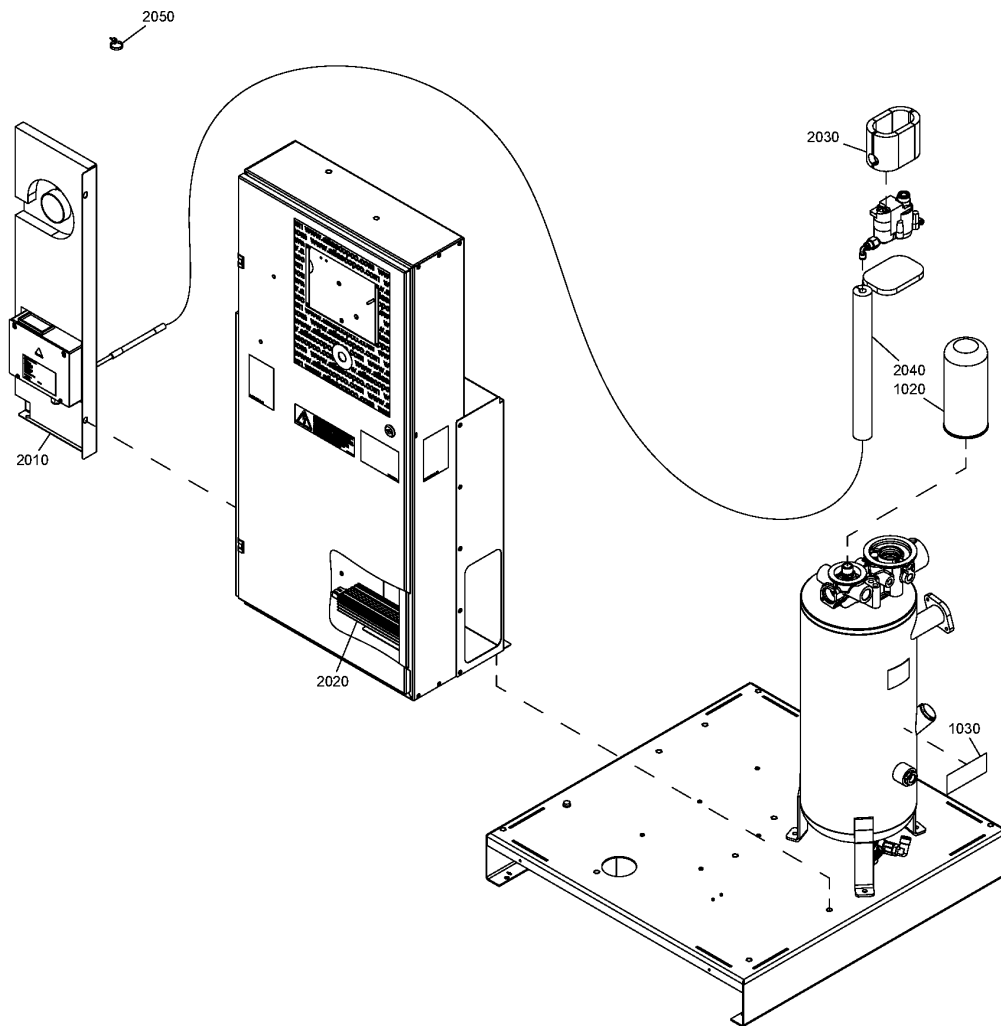
**Remarks:**

Note : 1) Lined with : Foam : 0395600166(AR) 25x2040x1650

**Legend:**

IDRY:Y - Integrated dryer:Yes





Ref	Part Number	Qty	Name	Validity
-		1	STANDARD OPTION - FREEZE PROTECTION	
	8092 3732 19	1	IEC - ROTO-INJECT FLUID - PACK	
	8092 3732 27	1	IEC - ROTO-INJECT FLUID - FULL FEATURE	
	8092 3732 35	1	IEC - ROTO-XTEND DUTY FLUID - PACK	
	8092 3732 43	1	IEC - ROTO-XTEND DUTY FLUID - FULL FEATURE	
	8092 3732 50	1	UL-cUL - ROTO-INJECT FLUID - PACK	
	8092 3732 68	1	UL-cUL - ROTO-INJECT FLUID - FULL FEATURE	
	8092 3732 76	1	UL-cUL - ROTO-XTEND DUTY FLUID - PACK	
	8092 3732 84	1	UL-cU L- ROTO-XTEND DUTY FLUID - FULL FEATURE	
<b>1020</b>	1625 7526 00	1	OIL FILTER	(17/12/2014 - ...)
	☞ Substituted by:	2903 7526 00	OIL FILTER SPARE 8000HRS (quantity: 1)	
<b>1030</b>	1079 9925 87	1	LABEL	(17/12/2014 - ...)
<b>2010</b>	1625 4844 81	1	CUBICLE	(17/12/2014 - ...) EAPPR:IEC + IDRY:N
	1625 4844 84			(17/12/2014 - ...) EAPPR:ULCUL + IDRY:Y
	1625 4844 82			(17/12/2014 - ...) EAPPR:ULCUL + IDRY:N
	1625 4844 83			(17/12/2014 - ...) EAPPR:IEC + IDRY:Y
	• 0226 3343 59	2	TAPPING SCREW	(17/12/2014 - ...)
	• 1089 0504 20	1	HEATER	(17/12/2014 - ...) EAPPR:IEC
	☞ Substituted by:	1089 0504 22	HEATER AIR (quantity: 1)	
	• 1089 0504 21	1	HEATER	(17/12/2014 - ...) EAPPR:ULCUL
	• 1089 0555 08	1	DISPLAY	(17/12/2014 - ...)
	• 1088 0031 80	2	CONTACT	(17/12/2014 - ...)
	• 1088 0032 13	4	TERMINAL	(17/12/2014 - ...)
	• 0697 9809 20	6	LOCK NUT	(17/12/2014 - ...)
	• 0698 5140 71	6	CABLE GLAND	(17/12/2014 - ...)
	• 1613 9763 10	1	TRACING	(17/12/2014 - ...) EAPPR:IEC + IDRY:N
	• 1613 9763 09	2	TRACING	(17/12/2014 - ...) EAPPR:ULCUL + IDRY:Y
	• 1613 9763 09	1	TRACING	(17/12/2014 - ...) EAPPR:ULCUL + IDRY:N
	• 1613 9763 10	2	TRACING	(17/12/2014 - ...) EAPPR:IEC + IDRY:Y
<b>2020</b>	1625 4281 01	1	HEATER	(17/12/2014 - ...)
<b>2030</b>	1625 4281 40	1	INSULATION	(17/12/2014 - ...) IDRY:N
<b>2030</b>	1625 4281 40	2	INSULATION	(17/12/2014 - ...) IDRY:Y
<b>2040</b>	0395 1010 57	AR	INSULATION	(17/12/2014 - ...) IDRY:Y
<b>2040</b>	0395 1010 57	AR	INSULATION	(17/12/2014 - ...) IDRY:N
<b>2050</b>	1088 1301 04	8	CABLE STRIP	(17/12/2014 - ...) IDRY:N
<b>2050</b>	1088 1301 04	16	CABLE STRIP	(17/12/2014 - ...) IDRY:Y

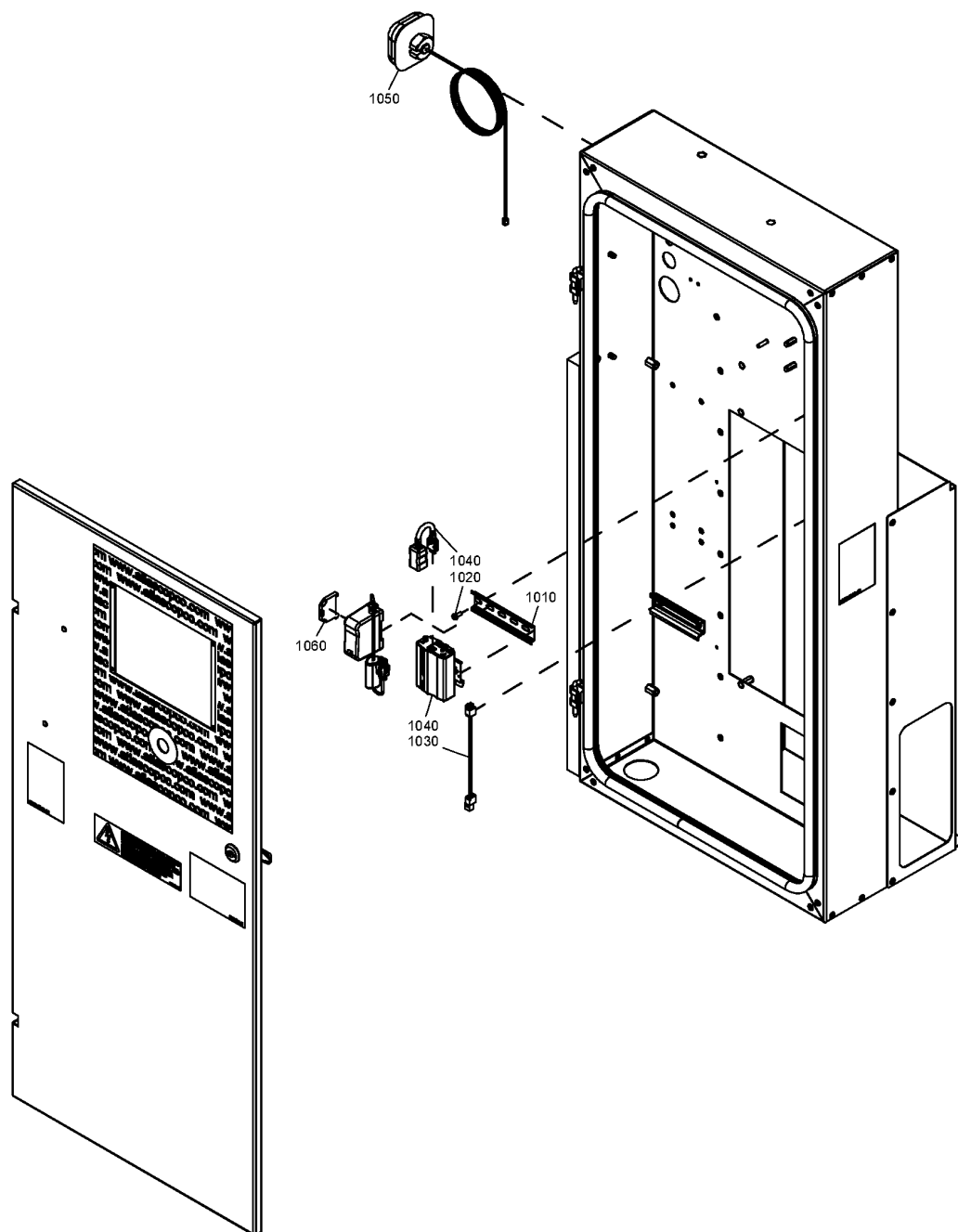
**Legend:**

EAPPR:IEC - Electrical approval:IEC

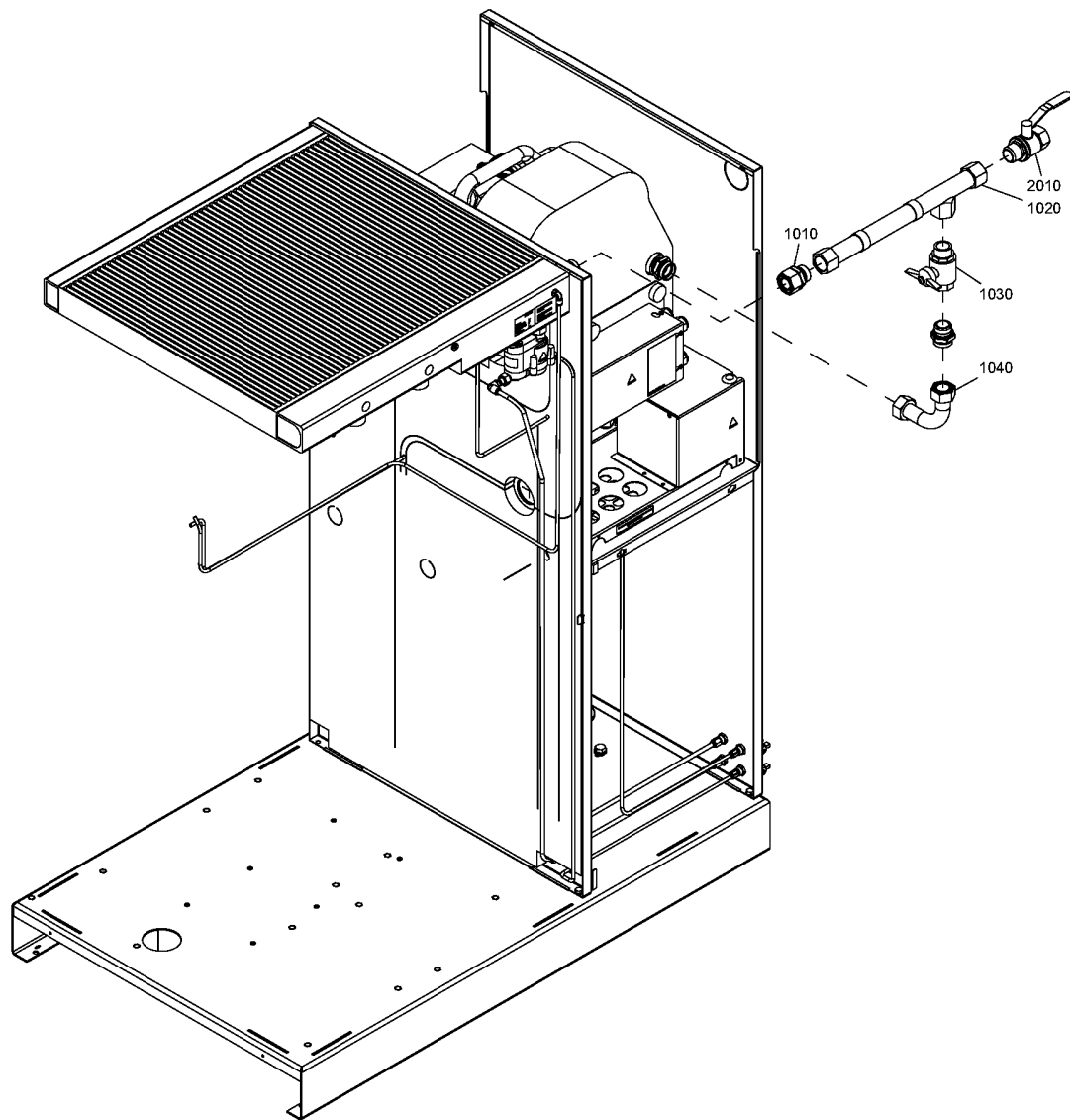
EAPPR:ULCUL - Electrical approval:UL/cUL

IDRY:N - Integrated dryer:No

IDRY:Y - Integrated dryer:Yes

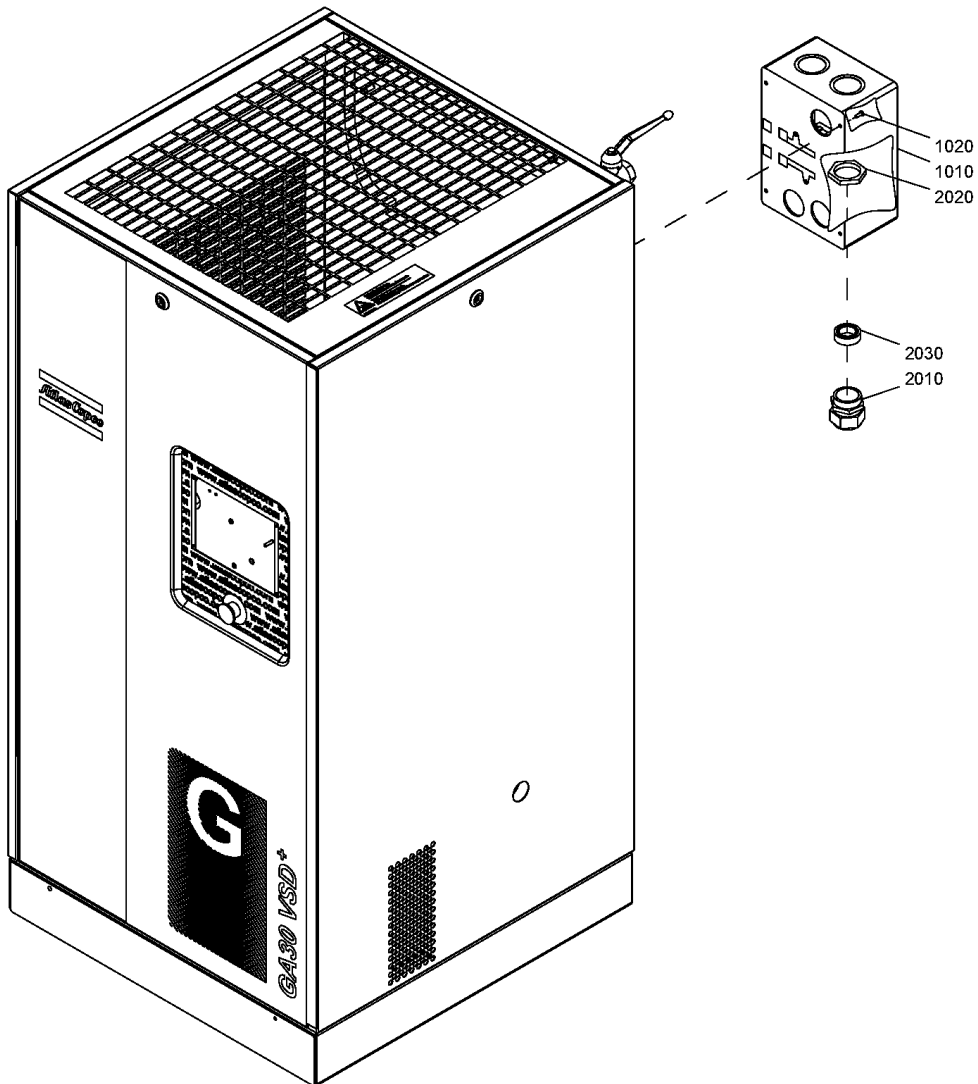


Ref	Part Number	Qty	Name	Validity
	8092 3731 77	1	STANDARD OPTION - SMART LINK	
<b>1010</b>	9139 5000 72	1	RAIL	(01/12/2014 - ...)
<b>1020</b>	0160 0996 79	2	SCREW	(01/12/2014 - ...)
<b>1030</b>	1625 4278 10	1	CABLE POWER	(01/12/2014 - ...)
<b>1040</b>	1630 0707 82	1	MODEM	(15/09/2015 - ...)
<b>1050</b>	1630 0928 01	1	ANTENNA	(01/12/2014 - ...)
<b>1060</b>	1088 0031 81	1	END STOP BRACKET	(01/12/2014 - ...)
	1623 4029 02	1	COMMUNICATION CABLE	(26/01/2015 - ...)



Ref	Part Number	Qty	Name	Validity
	8092 3732 01	1	STANDARD OPTION - DRYER BYPASS	
1010	0582 0000 65	1	FITTING PIPE	(12/08/2014 - ...)
1020	1625 4838 10	1	PIPE DRYER BYPASS	(12/08/2014 - ...)
1030	0852 0010 57	1	BALL VALVE	(12/08/2014 - ...)
1040	1625 4821 20	1	PIPE DRYER BYPASS	(12/08/2014 - ...)
2010	0852 0011 02	1	BALL VALVE	(12/08/2014 - ...)

**23.14** - Main switch GA 18 VSD+, GA 22 VSD+, GA 26 VSD+, GA 30 VSD+ - 380V/400V/460V, GA 18 VSD+, GA 22 VSD+, GA 26 VSD+, GA 30 VSD+, GA 37 VSD+ - 500V/575V, GA 18 VSD+, GA 22 VSD+, GA 26 VSD+, GA 30 VSD+ - 400V+N (MODEL:GA18VP\_13, MODEL:GA22VP\_13, MODEL:GA26VP\_13, MODEL:GA30VP\_13) + (MOVOL:380V, MOVOL:400V, MOVOL:400VN, MOVOL:460V, MOVOL:500V, MOVOL:575V), (MOVOL:500V, MOVOL:575V) + MODEL:GA37VP\_13



**23.14 - Main switch GA 18 VSD+, GA 22 VSD+, GA 26 VSD+, GA 30 VSD+ - 380V/400V/460V, GA 18 VSD+, GA 22 VSD+, GA 26 VSD+, GA 30 VSD+, GA 37 VSD+ - 500V/575V, GA 18 VSD+, GA 22 VSD+, GA 26 VSD+, GA 30 VSD+ - 400V+N**  
 (MODEL:GA18VP\_13 , MODEL:GA22VP\_13 , MODEL:GA26VP\_13 , MODEL:GA30VP\_13) + (MOVOL:380V , MOVOL:400V , MOVOL:400VN , MOVOL:460V , MOVOL:500V , MOVOL:575V) , (MODEL:500V , MOVOL:575V) + MODEL:GA37VP\_13

Ref	Part Number	Qty	Name	Validity
-		1	STANDARD OPTION - MAIN SWITCH	
	8092 3732 92	1	GA 18 VSD+ 380-460V PACK	
	8092 3733 42	1	GA 18 VSD+ 380-460V FF	
	8092 3733 18	1	GA 22-30 VSD+ 380-460V PACK	
	8092 3733 67	1	GA 22-30 VSD+ 380-460V FF	
	8092 3733 59	1	GA 18-30 VSD+ 400V+N	
	8092 3733 00	1	GA 18-26 VSD+ 500V/575V	
	8092 3733 26	1	GA 30-37 VSD+ 500V/575V	
<b>1010</b>	1625 4282 06	1	POWER SWITCH	(04/12/2014 - ...) (MODEL:GA22VP_13 , MODEL:GA26VP_13 , MODEL:GA30VP_13) + (MOVOL:380V , MOVOL:400V , MOVOL:460V) + IDRY:N
<b>1010</b>	1625 4282 05	1	POWER SWITCH	(04/12/2014 - ...) (MODEL:GA30VP_13 , MODEL:GA37VP_13) + (MOVOL:500V , MOVOL:575V)
<b>1010</b>	1625 4282 07	1	POWER SWITCH	(04/12/2014 - ...) (MOVOL:380V , MOVOL:400V , MOVOL:460V) + IDRY:Y + MODEL:GA18VP_13
<b>1010</b>	1625 4282 09	1	POWER SWITCH	(04/12/2014 - ...) (MODEL:GA18VP_13 , MODEL:GA22VP_13 , MODEL:GA26VP_13 , MODEL:GA30VP_13) + IDRY:Y + MOVOL:400VN
<b>1010</b>	1625 4282 08	1	POWER SWITCH	(04/12/2014 - ...) (MODEL:GA22VP_13 , MODEL:GA26VP_13 , MODEL:GA30VP_13) + (MOVOL:380V , MOVOL:400V , MOVOL:460V) + IDRY:Y
<b>1010</b>	1625 4282 01	1	POWER SWITCH	(04/12/2014 - ...) (MOVOL:380V , MOVOL:400V , MOVOL:460V) + IDRY:N + MODEL:GA18VP_13
<b>1010</b>	1625 4282 03	1	POWER SWITCH	(04/12/2014 - ...) (MODEL:GA18VP_13 , MODEL:GA22VP_13 , MODEL:GA26VP_13) + (MOVOL:500V , MOVOL:575V)
<b>1020</b>	<del>0226 3343 07</del>	4	TAPPING SCREW	(04/12/2014 - ...) (IDRY:Y + MOVOL:400VN , MOVOL:380V , MOVOL:400V , MOVOL:460V , MOVOL:500V , MOVOL:575V) + (MODEL:GA18VP_13 , MODEL:GA22VP_13 , MODEL:GA26VP_13 , MODEL:GA30VP_13) , (MOVOL:500V , MOVOL:575V) + MODEL:GA37VP_13
	<b>Substituted by:</b>	0226 0047 13 - TAPPING SCREW (quantity: 1)		
<b>2010</b>	0698 5140 76	1	CABLE GLAND	(04/12/2014 - ...) (IDRY:Y + MOVOL:400VN , MOVOL:380V , MOVOL:400V , MOVOL:460V , MOVOL:500V , MOVOL:575V) + (MODEL:GA18VP_13 , MODEL:GA22VP_13 , MODEL:GA26VP_13 , MODEL:GA30VP_13) , (MOVOL:500V , MOVOL:575V) + MODEL:GA37VP_13
<b>2020</b>	0697 9809 25	1	NUT	(04/12/2014 - ...) (IDRY:Y + MOVOL:400VN , MOVOL:380V , MOVOL:400V , MOVOL:460V , MOVOL:500V , MOVOL:575V) + (MODEL:GA18VP_13 , MODEL:GA22VP_13 , MODEL:GA26VP_13 , MODEL:GA30VP_13) , (MOVOL:500V , MOVOL:575V) + MODEL:GA37VP_13
<b>2030</b>	0698 5148 70	1	SEAL	(04/12/2014 - ...) (IDRY:Y + MOVOL:400VN , MOVOL:380V , MOVOL:400V , MOVOL:460V , MOVOL:500V , MOVOL:575V) + (MODEL:GA18VP_13 , MODEL:GA22VP_13 , MODEL:GA26VP_13 , MODEL:GA30VP_13) , (MOVOL:500V , MOVOL:575V) + MODEL:GA37VP_13

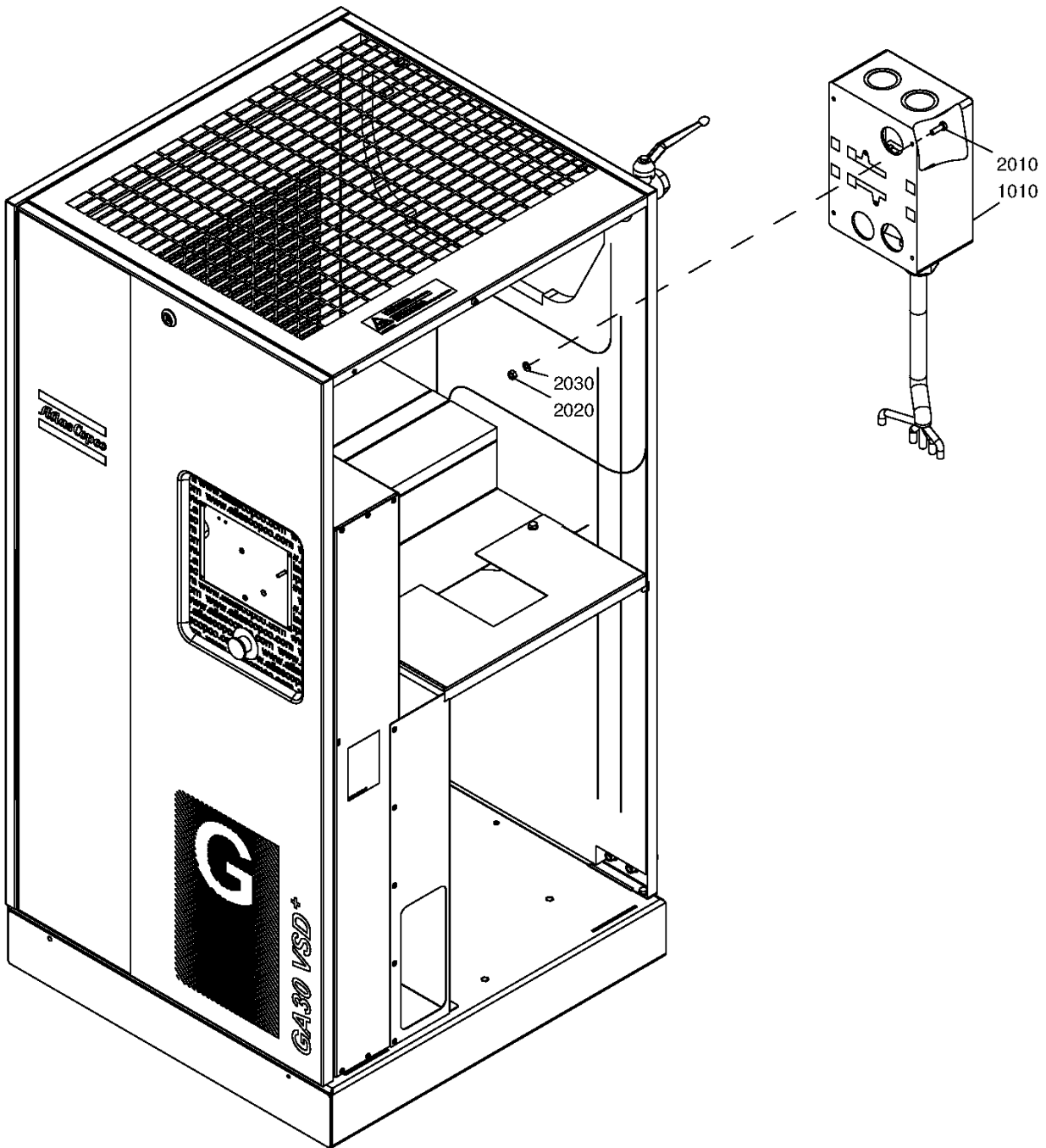
**Legend:**

IDRY:N - Integrated dryer:No  
 MODEL:GA22VP\_13 - Model:GA 22VSD+  
 MODEL:GA37VP\_13 - Model:GA 37VSD+  
 MOVOL:400VN - Supply voltage:400 V+N  
 MOVOL:575V - Supply voltage:575 V

IDRY:Y - Integrated dryer:Yes  
 MODEL:GA26VP\_13 - Model:GA 26VSD+  
 MOVOL:380V - Supply voltage:380 V  
 MOVOL:460V - Supply voltage:460 V

MODEL:GA18VP\_13 - Model:GA 18VSD+  
 MODEL:GA30VP\_13 - Model:GA 30VSD+  
 MOVOL:400V - Supply voltage:400 V  
 MOVOL:500V - Supply voltage:500 V





## 23.15 - Main switch GA 37 VSD+ - 380-460V/60Hz

(MOVOL:380V , MOVOL:400V , MOVOL:460V) + MODEL:GA37VP\_13

Ref	Part Number	Qty	Name	Validity
-		1	STANDARD OPTION - MAIN SWITCH	
	8092 3733 34	1	GA 37 VSD+ 380-460V PACK	
	8092 3733 75	1	GA 37 VSD+ 380-460V FULL FEATURE	
1010	1625 4282 10	1	POWER SWITCH	IDRY:N
1010	1625 4282 11	1	POWER SWITCH	IDRY:Y
2010	0147 1325 03	4	HEXAGON BOLT	
2020	0266 2110 00	4	NUT	
2030	0301 2335 00	4	WASHER	

### Legend:

IDRY:N - Integrated dryer:No  
MOVOL:380V - Supply voltage:380 V

IDRY:Y - Integrated dryer:Yes  
MOVOL:400V - Supply voltage:400 V

MODEL:GA37VP\_13 - Model:GA 37VSD+  
MOVOL:460V - Supply voltage:460 V



+7(916) 033-41-41



apsair@apsair.ru

apsair.ru